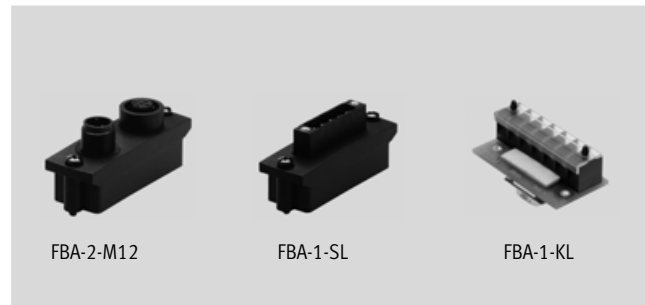


Electrical adapters NEFV, for valves

Technical data

Bus connection FBA

- Sub-D 9-pin adapter
- Can be assembled with any cable length
- Protection class IP20 to IP65



General technical data				
Type	FBA-2-M12-5POL	FBA-2-M12-5POL-RK	FBA-1-SL	FBA-1-KL
Electrical connection	Sub-D straight socket, 9-pin; M12 plug/socket, 5-pin	Sub-D straight plug, 9-pin; M12 plug/socket, 5-pin	Sub-D straight socket, 9-pin; plug, 5-pin	M8x1 plug, 4-pin, straight, screw terminal
Operating voltage range [V DC]	24			
Acceptable current load [A]	4	4	4	7.5
Connection cross section [mm ²]	–	–	–	0.5
Type of mounting	2x M3x20 screws			
Mounting position	Any			
Protection class	IP65	IP65	IP40	IP20

Materials	
Pin contact	Gold-plated bronze
Housing	Polyamide
Note on materials	RoHS-compliant

Operating and environmental conditions		
Ambient temperature [°C]		–5 ... +50
Storage temperature [°C]		–20 ... +70

Electrical adapters NEFV, for valves

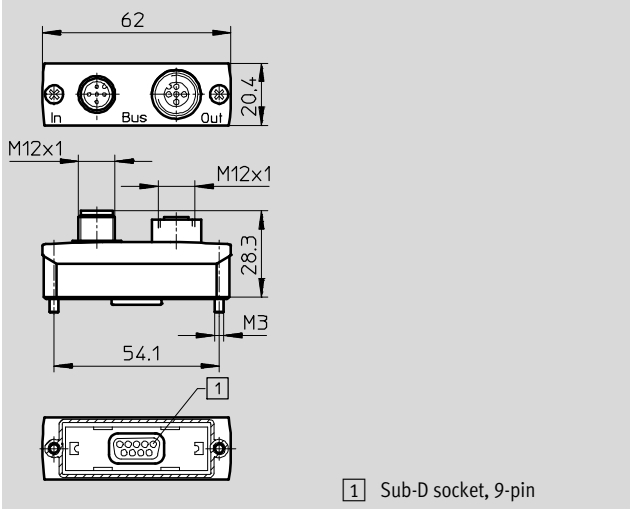
Technical data

FESTO

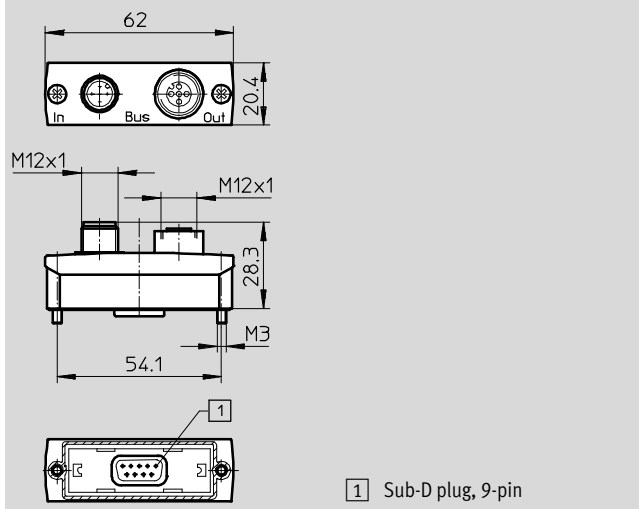
Dimensions

Download CAD data → www.festo.com

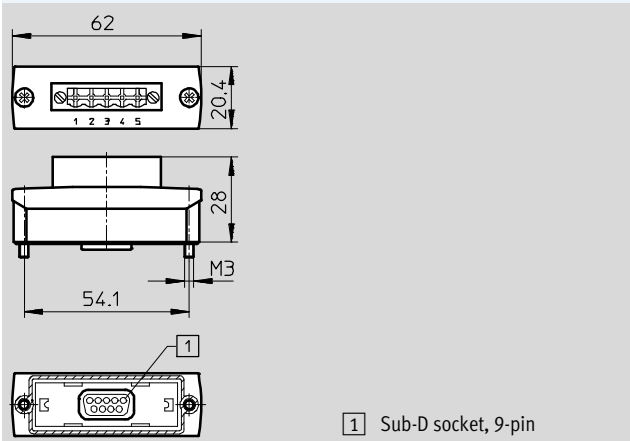
FBA-2-M12-5POL



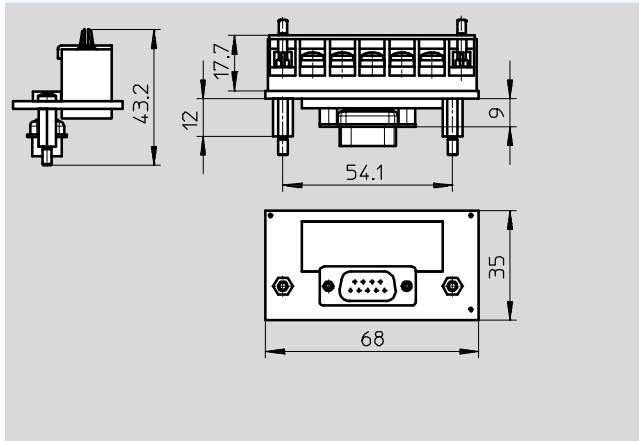
FBA-2-M12-5POL-RK



FBA-1-SL...



FBA-1-KL...



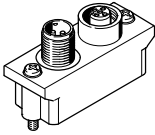
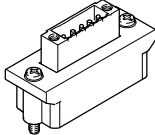
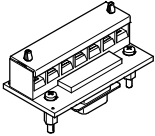
Electrical adapters NEFV, for valves

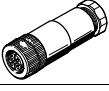
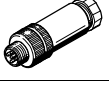
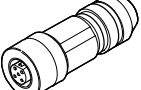
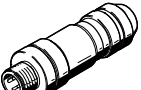
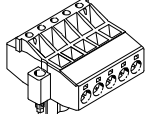
Technical data

Pin allocation – Sub-D/opposite side							
FBA-2-M12-5POL							
Sub-D connection	Pin	Pin	Plug	Sub-D connection	Pin	Pin	Socket
	1	–			1	–	
	2	5			2	5	
	3	3			3	3	
	4	–			4	–	
	5	1			5	1	
	6	–			6	–	
	7	4			7	4	
	8	–			8	–	
	9	2			9	2	
	Housing	1			Housing	1	
FBA-2-M12-5POL-RK							
Sub-D connection	Pin	Pin	Plug	Sub-D connection	Pin	Pin	Socket
	1	5			1	5	
	2	–			2	–	
	3	4			3	4	
	4	–			4	–	
	5	–			5	3	
	6	–			6	1	
	7	–			7	–	
	8	2			8	2	
	9	–			9	–	
	Housing	Housing			Housing	Housing	
FBA-1-SL-5POL				FBA-1-KL-5POL			
Sub-D connection	Pin	Pin	Plug	Sub-D connection	Pin	Pin	Terminal strip
	1	–			1	–	
	2	2			2	DA	
	3	1			3	DG	
	4	–			4	–	
	5	3			5	FG	
	6	–			6	–	
	7	4			7	DB	
	8	–			8	–	
	9	5			9	–	
	Housing	3			Housing	SLD	

Electrical adapters NEFV, for valves

Technical data

Ordering data				
	Electrical connection	Weight [g]	Part No.	Type
	Sub-D straight socket, 9-pin; M12 plug/socket, 5-pin	28	525632	FBA-2-M12-5POL
	Sub-D straight plug, 9-pin; M12 plug/socket, 5-pin	37	533118	FBA-2-M12-5POL-RK
	Sub-D straight socket, 9-pin; plug, 5-pin	26	525634	FBA-1-SL-5POL
	Sub-D straight plug, 9-pin; screw terminal, 5-pin	47	197962	FBA-1-KL-5POL

Ordering data – Accessories				
	Electrical connection	Weight [g]	Part No.	Type
For FBA-2-M12-5POL				
	Socket M12x1, 5-pin, straight	33	18324	FBSD-GD-9-5POL
	Plug M12x1, 5-pin, straight	23.5	175380	FBS-M12-5GS-PG9
For FBA-2-M12-5POL-RK				
	Socket M12x1, 5-pin, straight	48	1067905	NECU-M-B12G5-C2-PB
	Plug M12x1, 5-pin, straight	46	1066354	NECU-M-S-B12G5-C2-PB
For FBA-1-SL-5POL				
	<ul style="list-style-type: none"> • Socket, 5-pin, angled • Screw terminal, 5-pin • Protection class IP20 	20	525635	FBSD-KL-2x5POL

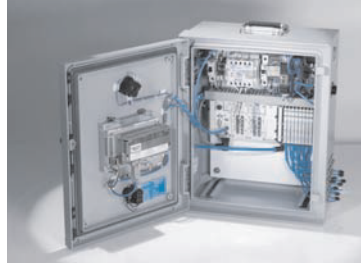
Product Range and Company Overview

A Complete Suite and Company Overview

Our experienced engineers provide complete support at every stage of your development process, including: conceptualization, analysis, engineering, design, assembly, documentation, validation, and production.



Custom Automation Components
Complete custom engineered solutions



Custom Control Cabinets
Comprehensive engineering support and on-site services



Complete Systems
Shipment, stocking and storage services

The Broadest Range of Automation Components

With a comprehensive line of more than 30,000 automation components, Festo is capable of solving the most complex automation requirements.



Electromechanical
Electromechanical actuators, motors, controllers & drivers



Pneumatics
Pneumatic linear and rotary actuators, valves, and air supply



PLCs and I/O Devices
PLC's, operator interfaces, sensors and I/O devices

Supporting Advanced Automation... As No One Else Can!

Festo is a leading global manufacturer of pneumatic and electromechanical systems, components and controls for industrial automation, with more than 16,000 employees in 60 national headquarters serving more than 180 countries. For more than 80 years, Festo has continuously elevated the state of manufacturing with innovations and optimized motion control solutions that deliver higher performing, more profitable automated manufacturing and processing equipment. Our dedication to the advancement of automation extends beyond technology to the education and development of current and future automation and robotics designers with simulation tools, teaching programs, and on-site services.

Quality Assurance, ISO 9001 and ISO 14001 Certifications

Festo Corporation is committed to supply all Festo products and services that will meet or exceed our customers' requirements in product quality, delivery, customer service and satisfaction.

To meet this commitment, we strive to ensure a consistent, integrated, and systematic approach to management that will meet or exceed the requirements of the ISO 9001 standard for Quality Management and the ISO 14001 standard for Environmental Management.

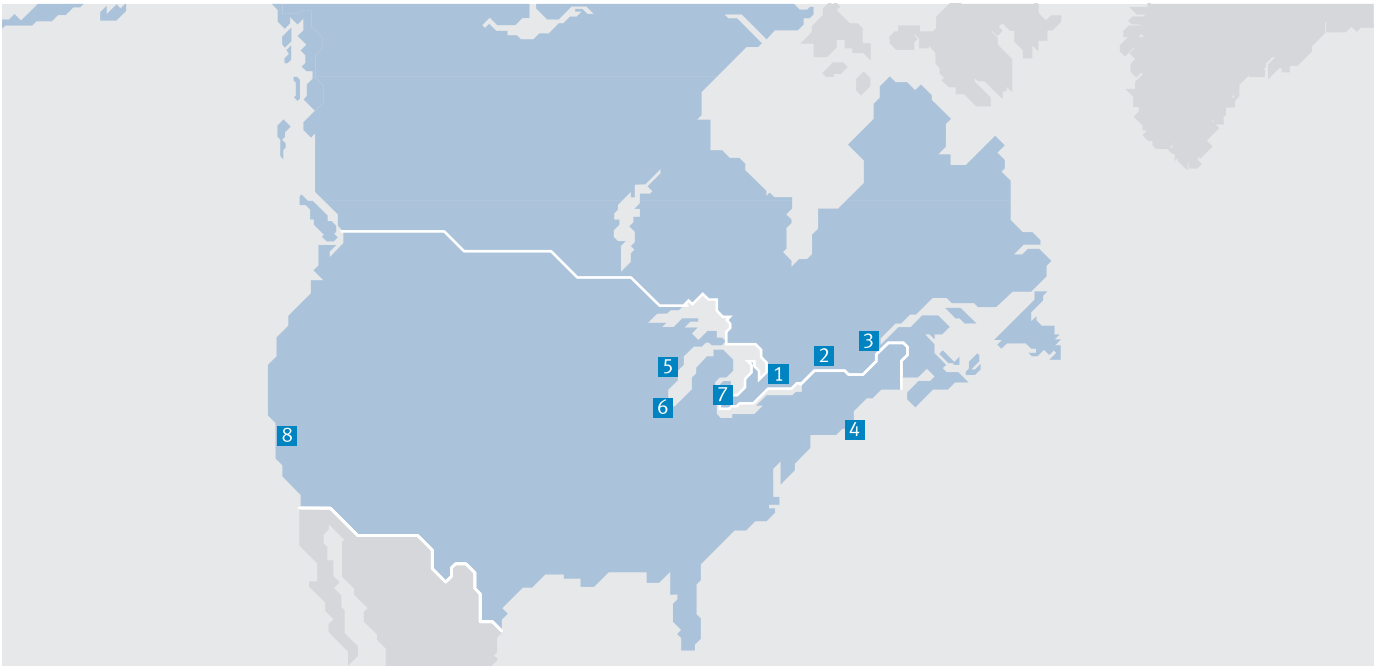


© Copyright 2013, Festo Corporation. While every effort is made to ensure that all dimensions and specifications are correct, Festo cannot guarantee that publications are completely free of any error, in particular typing or printing errors. Accordingly, Festo cannot be held responsible for the same. For Liability and Warranty conditions, refer to our "Terms and Conditions of Sale", available from your local Festo office. All rights reserved. No part of this publication may be reproduced, distributed, or transmitted in any form or by any means, electronic, mechanical, photocopying or otherwise, without the prior written permission of Festo. All technical data subject to change according to technical update.



Printed on recycled paper at New Horizon Graphic, Inc., FSC certified as an environmental friendly printing plant.

Festo North America



**1 Festo Canada
Headquarters
Festo Inc.**
5300 Explorer Drive
Mississauga, ON
L4W 5G4

2 Montréal
5600, Trans-Canada
Pointe-Claire, QC
H9R 1B6

3 Québec City
2930, rue Watt#117
Québec, QC
G1X 4G3



**4 Festo United States
Headquarters
Festo Corporation**
395 Moreland Road
Hauppauge, NY
11788

5 Appleton
North 922 Tower View Drive, Suite N
Greenville, WI
54942

7 Detroit
1441 West Long Lake Road
Troy, MI
48098

6 Chicago
85 W Algonquin - Suite 340
Arlington Heights, IL
60005

8 Silicon Valley
4935 Southfront Road, Suite F
Livermore, CA
94550

Festo Regional Contact Center

Canadian Customers

Commercial Support:
Tel: 1 877 GO FESTO (1 877 463 3786)
Fax: 1 877 FX FESTO (1 877 393 3786)
Email: festo.canada@ca.festo.com

Technical Support:
Tel: 1 866 GO FESTO (1 866 463 3786)
Fax: 1 877 FX FESTO (1 877 393 3786)
Email: technical.support@ca.festo.com

USA Customers

Commercial Support:
Tel: 1 800 99 FESTO (1 800 993 3786)
Fax: 1 800 96 FESTO (1 800 963 3786)
Email: customer.service@us.festo.com

Technical Support:
Tel: 1 866 GO FESTO (1 866 463 3786)
Fax: 1 800 96 FESTO (1 800 963 3786)
Email: product.support@us.festo.com