

Passive guide axes ELFR, without drive



Passive guide axes ELFR, without drive

Key features



At a glance

- Driveless linear guide units with guide and freely movable slide
- Passive guide axes are designed to increase force and torque in multi-axis applications
- Higher torsional resistance
- Reduced vibrations with dynamic loads
- Drive axes and passive guide axes can be arranged adjacent to or above one another
- Plain-bearing guide
 - For small loads
 - Restricted operating behaviour with torque load
 - Guide backlash = 0.05 mm (on delivery)
- Recirculating ball bearing guide
 - For medium loads
 - Very good operating behaviour with torque load
 - Backlash-free guide (preloaded guide elements)

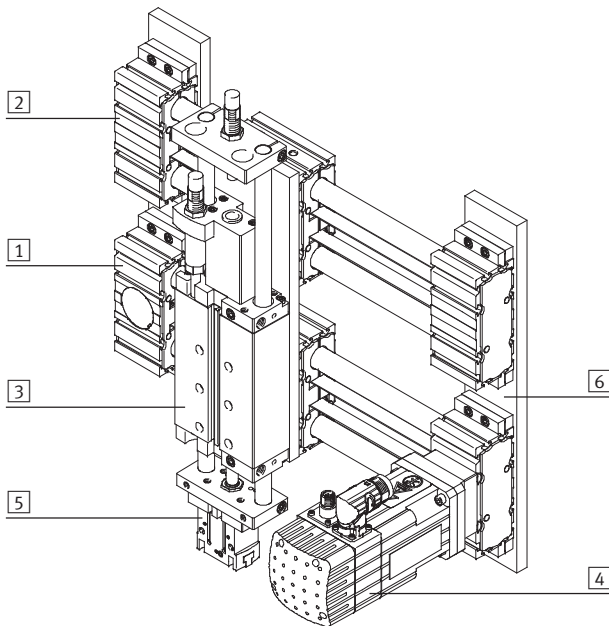
Associated drive axis

Toothed belt axis ELGR



- For size 35, 45, 55
- Load capacity up to max. 300 N or 124 Nm
- Max. feed force 350 N

System product for handling and assembly technology



System components and accessories

	Brief description	→ Page/Internet	
1	Axes	Wide range of combinations possible within handling and assembly technology	axis
2	Guide axes	For increasing force and torque in multi-axis applications	guide axis
3	Drives	Wide range of combinations possible within handling and assembly technology	drive
4	Motors	Servo and stepper motors, with or without gear unit	motor
5	Grippers	Wide range of variations possible within handling and assembly technology	gripper
6	Adapters	For drive/drive and drive/gripper connections	adapter kit

Passive guide axes ELFR, without drive

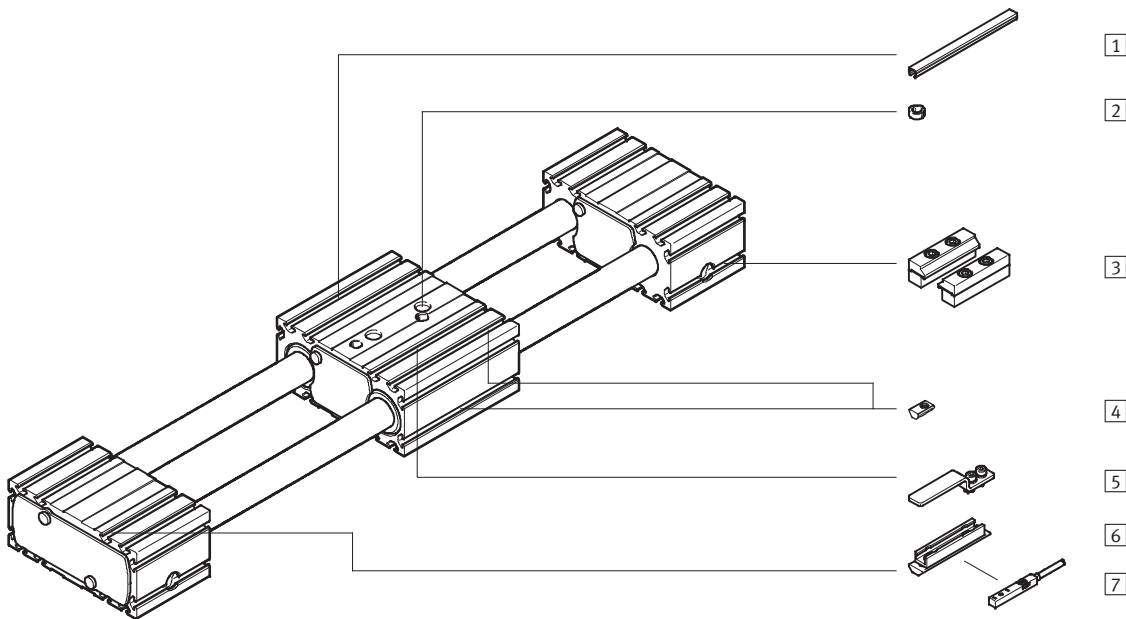
Type codes

		ELFR	-		-	45	-	500	-	30H	-	L	-		+	2SA			4NM	2MA
Type																				
ELFR	Passive guide axis																			
Guide																				
-	Recirculating ball bearing guide																			
GF	Plain-bearing guide																			
Size																				
Stroke [mm]																				
Stroke reserve																				
Slide																				
-	Standard slide																			
L	Long slide																			
Additional slide																				
-	No additional slide																			
ZR	1 slide on right																			
ZL	1 slide on left																			
ZB	1 slide on right, 1 slide on left																			
Proximity sensor																				
...SA	Proximity sensor (SIES), inductive, T-slot, PNP, N/O contact, 7.5 m cable																			
...SB	Proximity sensor (SIES), inductive, T-slot, PNP, N/C contact, 7.5 m cable																			
Cover																				
...NC	For mounting slot																			
Slot nut																				
...NM	For mounting slot																			
Profile mounting																				
...MA	Profile mounting																			

Passive guide axes ELFR, without drive

Peripherals overview

FESTO

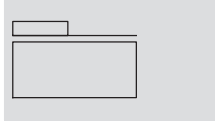


Variants and accessories		
Type	Brief description	→ Page/Internet
1 Slot cover NC	<ul style="list-style-type: none"> For protecting against ingress of dirt 	18
2 Centring sleeve ZBH	<ul style="list-style-type: none"> For centring loads and attachments on the slide 2 centring sleeves included in the scope of delivery of the axis 	18
3 Profile mounting MA	For mounting the axis on the bearing cap	16
4 Slot nut NM	For mounting attachments	18
5 Switch lug SA, SB	For sensing the slide position	16
6 Sensor bracket SA, SB	Adapter for mounting the inductive proximity sensors on the axis	16
7 Proximity sensor, T-slot SA, SB	<ul style="list-style-type: none"> Inductive proximity sensor, for T-slot The scope of delivery with the order code SA, SB includes 1 switch lug and 1 sensor bracket 	18
- Connecting cable NEBU	For proximity sensors (order code SA and SB)	18

Passive guide axes ELFR, without drive

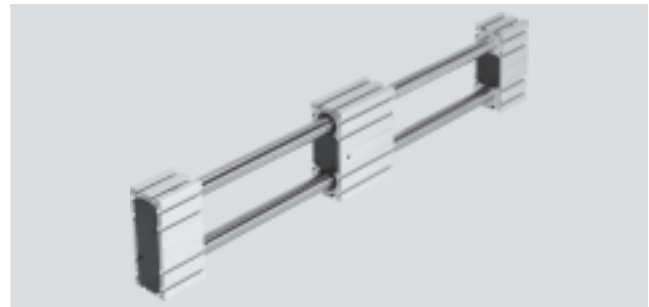
Technical data

Function



- N- Size
35 ... 55
- T- Stroke length
50 ... 1,500 mm

www.festo.com/en/Spare_parts_service



General technical data				
Size		35	45	55
Design		Passive guide axis		
Guide		Recirculating ball bearing guide		
		Plain-bearing guide		
Mounting position		Any		
Working stroke	[mm]	50 ... 800	50 ... 1,000	50 ... 1,500
Max. no-load resistance to shifting	[N]	3	6	10
Max. speed				
Recirculating ball bearing guide	[m/s]	3		
Plain-bearing guide	[m/s]	1		
Max. acceleration	[m/s ²]	50		

Operating and environmental conditions			
Ambient temperature			
Recirculating ball bearing guide	[°C]	-10 ... +50	
Plain-bearing guide	[°C]	0 ... +40	
Protection class		IP20	

Weight [kg]				
Size		35	45	55
Recirculating ball bearing guide				
Basic weight with 0 mm stroke ¹⁾				
Standard slide		1.2	2.7	4.6
Long slide		1.6	3.8	6.5
Additional weight per 1,000 mm stroke		2.4	5.0	7.7
Moving load		0.4	0.9	1.7
Slide				
Standard slide		0.4	0.9	1.7
Long slide		0.7	1.5	2.8
Additional slide		0.4	0.9	1.7

1) Incl. slide

Passive guide axes ELFR, without drive

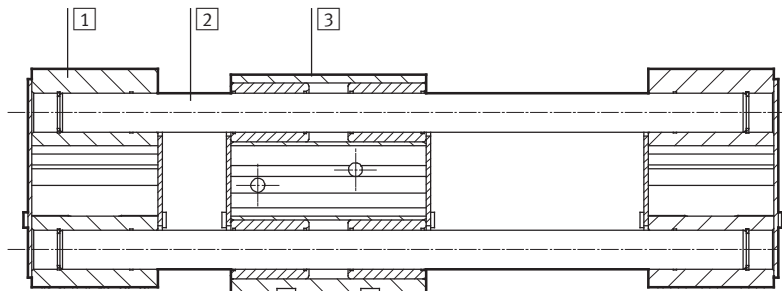
Technical data

Weight [kg]			
Size	35	45	55
Plain-bearing guide			
Basic weight with 0 mm stroke ¹⁾			
Standard slide	1.1	2.5	4.2
Long slide	1.6	3.7	6.4
Additional weight per 1,000 mm stroke	2.3	5.0	7.7
Moving load	0.3	0.7	1.3
Slide			
Standard slide	0.3	0.7	1.3
Long slide	0.6	1.5	2.6
Additional slide	0.3	0.7	1.3

1) Incl. slide

Materials

Sectional view



Axis	
1	Bearing cap, profile Anodised wrought aluminium alloy
2	Guide rods Steel
3	Slide, profile Anodised wrought aluminium alloy
Note on materials RoHS-compliant	
Contains PWIS (paint wetting impairment substances)	

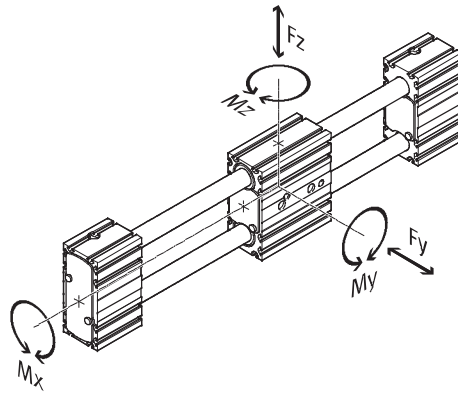
Passive guide axes ELFR, without drive

Technical data

Characteristic load values

The indicated forces and torques refer to the centre of the guide. The point of application of force is the point where the centre of the guide and the longitudinal centre of the slide intersect.

These values must not be exceeded during dynamic operation. Special attention must be paid to the cushioning phase.



If the axis is subjected to more than two of the indicated forces and torques simultaneously, the following equation must be satisfied in addition to the indicated maximum loads:

Calculating the load comparison factor:

$$f_v = \frac{|F_{y,dyn}|}{F_{y,max.}} + \frac{|F_{z,dyn}|}{F_{z,max.}} + \frac{|M_{x,dyn}|}{M_{x,max.}} + \frac{|M_{y,dyn}|}{M_{y,max.}} + \frac{|M_{z,dyn}|}{M_{z,max.}} \leq 1$$

Permissible forces and torques for a service life of 5,000 km

Guide	Plain-bearing guide			Recirculating ball bearing guide			
	Size	35	45	55	35	45	55
$F_{y,max.}, F_{z,max.}$	[N]	50	100	300	50	100	300
Standard slide							
$M_{x,max.}$	[Nm]	1	2.5	5	2.5	5	15
$M_{y,max.}$	[Nm]	4	8	16	8	16	48
$M_{z,max.}$	[Nm]	4	8	16	8	16	48
Long slide							
$M_{x,max.}$	[Nm]	1	2.5	5	2.5	5	15
$M_{y,max.}$	[Nm]	10	20	40	20	40	124
$M_{z,max.}$	[Nm]	10	20	40	20	40	124

Service life

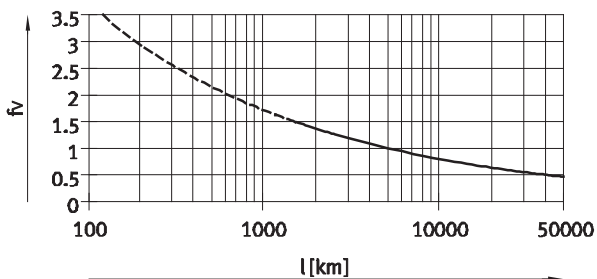
The service life of the guide depends on the load. To provide a rough indication of the service life of the

guide, the graph below plots the load comparison factor f_v against the service life.

These values are only theoretical. Consultation with your local contact person at Festo is mandatory for load

comparison factors f_v greater than 1.5.

Load comparison factor f_v as a function of service life



Example:

A user wants to move an X kg load. Using the above formula gives a value of 1.5 for the load comparison factor f_v . According to the graph, the guide would have a service life of

approx. 1,500 km. Reducing the acceleration reduces the M_z and M_y values. A load comparison factor of 1 now gives a service life of 5,000 km.

Note

PositioningDrives
sizing software
www.festo.com

Passive guide axes ELFR, without drive

Technical data

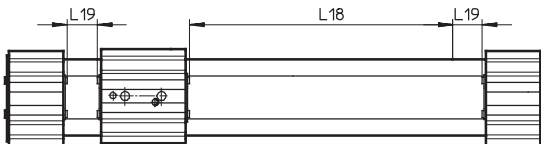


Min. nominal stroke

With standard slide or long slide L with additional slide ZR/ZL/ZB

Size	35			45			55		
Variant	-/L	ZR/ZL	ZB	-/L	ZR/ZL	ZB	-/L	ZR/ZL	ZB
Min. nominal stroke [mm]	50	126	202	50	146	242	50	166	282

Stroke reserve



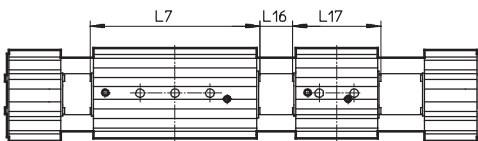
L18 = Nominal stroke

L19 = Stroke reserve

- The stroke reserve is a safety distance that can be available on both sides of the axis in addition to the nominal stroke
 - The sum of the nominal stroke and 2x stroke reserve must not exceed the maximum working stroke
 - The stroke reserve length can be freely selected
 - The stroke reserve is defined via the “stroke reserve” attribute in the modular product system
- Example:**
 Type ELFR-45-500-20H-...
 Nominal stroke = 500 mm
 2x stroke reserve = 40 mm
 Working stroke = 540 mm
 (540 mm = 500 mm + 2x 20 mm)

Working stroke reduction

With standard slide or long slide L with additional slide ZR/ZL/ZB



L7 = Slide length

L16 = Distance between both slides

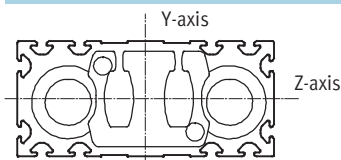
L17 = Additional slide length

- With a toothed belt axis with additional slide, the working stroke is reduced by the length of the additional slide and the distance between both slides
 - If the long slide L variant is ordered, the additional slide is not extended
- Example:**
 Type ELFR-35-500-...-ZR
 Working stroke = 500 mm
 L16 = 10 mm
 L7, L17 = 76 mm
 Working stroke with additional slide = 414 mm
 (500 mm – 10 mm – 76 mm)

Dimensions – Additional slide

Size	35	45	55
Length L17 [mm]	76	96	116
Distance between the slides L16 [mm]	≥ 0		

2nd moment of area



Size	35	45	55
ly [mm ⁴]	3.77x10 ³	1.57x10 ⁴	3.83x10 ⁴
lz [mm ⁴]	1.89x10 ⁵	8.08x10 ⁵	1.85x10 ⁶

Recommended deflection limits

Adherence to a maximum deflection of 0.5 mm is recommended so as not to impair the functional performance of the axes. Greater deformation can result in increased friction, greater wear and reduced service life.

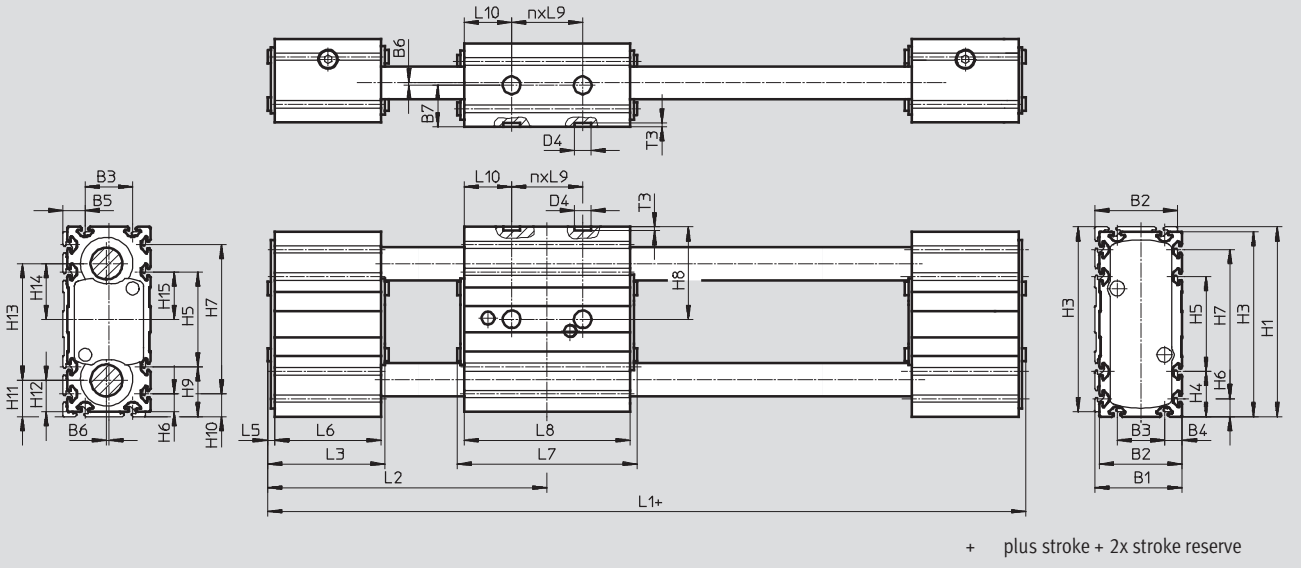
Passive guide axes ELFR, without drive

Technical data



Dimensions

Download CAD Data → www.festo.com/us/cad

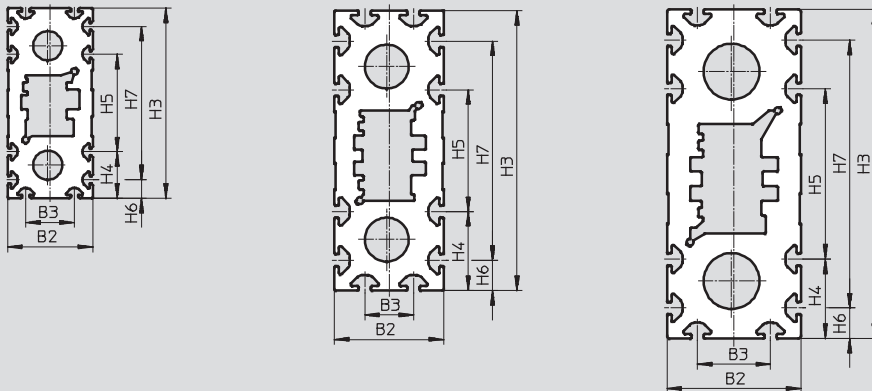


Profile

ELFR-35

ELFR-45

ELFR-55



Size	B1	B2	B3	B4	B5	B6	B7	D4 ∅ H7	H1	H3	H4	H5	H6	H7	H8	H9	
ELFR-35	37	35	20	7.5	9.5	1	17.5	7	80	78	19	40	7.5	63	39	21	
ELFR-35-L																	
ELFR-45	47	45	20	12.5	14.5				22.5	117	115	32.5	50	12.5	90	57.5	34.5
ELFR-45-L																	
ELFR-55	57	55	30	12.5	14.5	27.5	137	135	32.5	70	12.5	110	67.5	34.5			
ELFR-55-L																	

Size	H10	H11	H12	H13	H14	H15	L1	L2	L3	L5	L6	L7	L8	L9	L10	n	T3 +0.1	
ELFR-35	9.5	15.5	13.5	49	23.5	20	178	89	51	3	45	76	70	30	20	1	1.6	
ELFR-35-L							248	124				146	140		40	2		
ELFR-45	14.5	23	21	71	34.5	25	219	108	60			54	96	90	40	25		1
ELFR-45-L							309	153					186	180		50		2
ELFR-55	14.5	25.5	23.5	86	42	35	243	120	62	56	116		110	40	35	1		
ELFR-55-L							353	175			226		220		70	2		

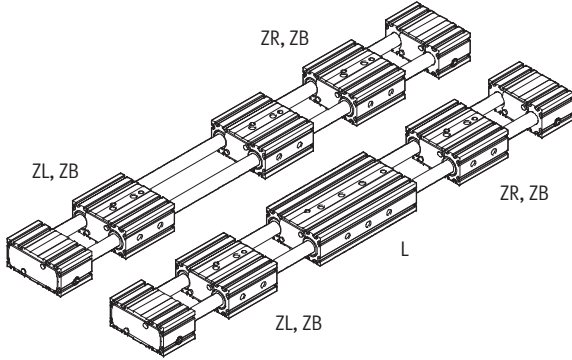
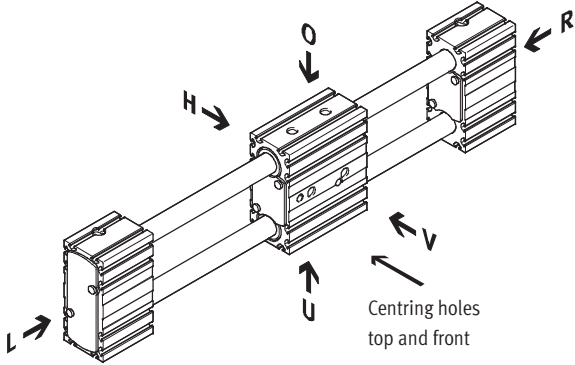
Passive guide axes ELFR, without drive

Ordering data – Modular products



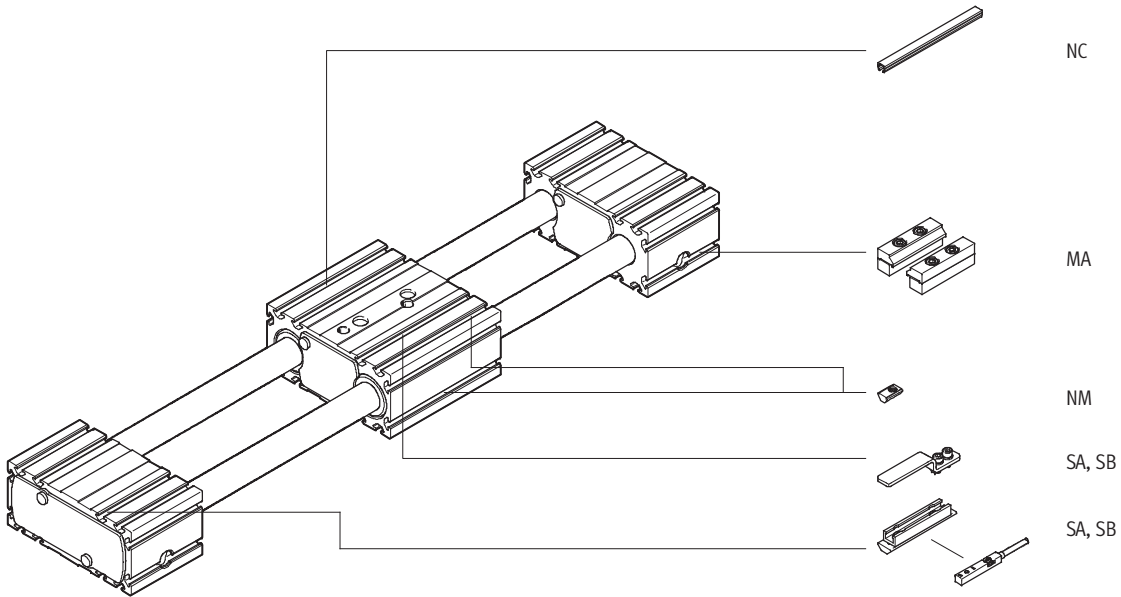
Order code

Mandatory data



- O top
- U underneath
- R right
- L left
- V front
- H rear

Accessories



Passive guide axes ELFR, without drive

Ordering data – Modular products

Ordering table										
Size		35	45	55	Conditions	Code	Enter code			
[M]	Module No.	571435		571436	571437					
	Design	Passive guide axis					ELFR	ELFR		
[O]	Guide	Recirculating ball bearing guide								
		Plain-bearing guide					-GF			
[M]	Size	35	45	55		-...	-...			
	Stroke length [mm]	1 ... 800	1 ... 1,000	1 ... 1,500		-...	-...			
	Stroke reserve [mm]	0 ... 999 (0 = no stroke reserve)			[1]	-...H				
[O]	Slide design	Standard slide								
		Long slide					-L			
	Additional slide	No additional slide								
		1 slide on right			[2]	-ZR				
		1 slide on left			[2]	-ZL				
		1 slide on right, 1 slide on left			[2]	-ZB				
	Accessories	Accessories enclosed separately					+	+		
	Proximity sensor (SIES), inductive, T-slot, PNP, incl. switch lug and sensor bracket	N/O contact, 7.5 m cable	1 ... 6				...SA			
		N/C contact, 7.5 m cable	1 ... 6				...SB			
	Mounting slot cover	-	1 ... 50 (1 = 2 units, 500 mm)				...NC			
	Slot nut for mounting slot	1 ... 99				...NM				
	Profile mounting	1 ... 2				...MA				

[1] -... The sum of the nominal stroke and 2x stroke reserve must be at least 50 mm and must not exceed the maximum stroke length.

[2] ZR, ZL, ZB Working stroke reduction → 8

Size	35			45			55		
Variant	-/L	ZR/ZL	ZB	-/L	ZR/ZL	ZB	-/L	ZR/ZL	ZB
Min. nominal stroke [mm]	50	126	202	50	146	242	50	166	282

Transfer order code

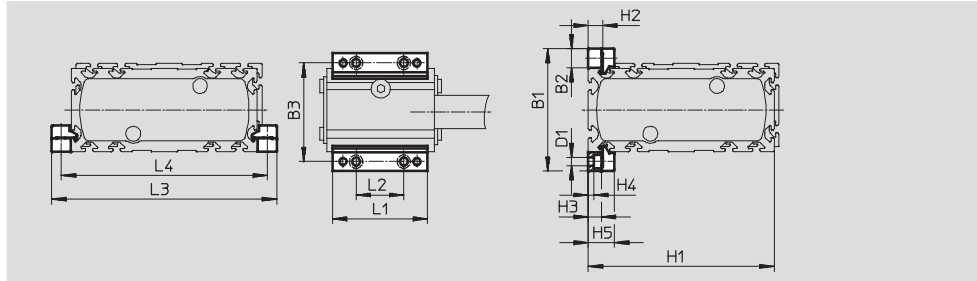
Passive guide axes ELFR, without drive

Accessories

FESTO

Profile mounting MUE
(order code MA)

Material:
Anodised aluminium
RoHS-compliant

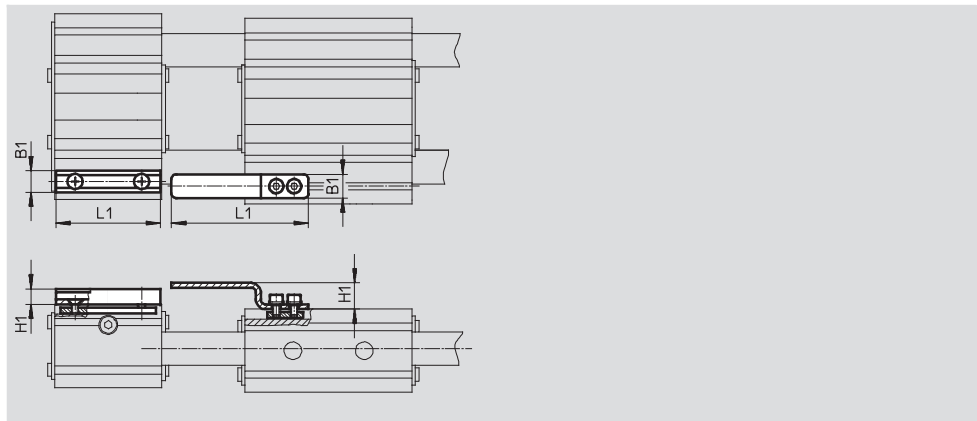


Dimensions and ordering data								
For size	B1	B2	B3	D1 ∅	H1	H2	H3	H4
35	51	8	43	3.4	78	6	5.5	2.3
45	69	12	57	5.5	115	10	9	3.2
55	79	12	67	5.5	135	10	9	3.2

For size	H5	L1	L2	L3	L4	Weight [g]	Part No.	Type
35	11	40	20	94	86	20	558042	MUE-50
45	17.5	52	40	139	127	32	562238	MUE-45
55	17.5	52	40	159	147	32	562238	MUE-45

Sensor bracket EAPM-...-SHS,
switch lug EAPM-...-SLS
(order code SA/SB)



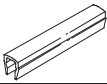
Materials:
Switch lug: Galvanised steel
Sensor bracket: Anodised wrought
aluminium alloy
RoHS-compliant



Dimensions and ordering data							
For size	B1	H1	L1	Weight [g]	Part No.	Type	
Sensor bracket							
35, 45, 55	9	6.5	44	20	567537	EAPM-L4-SHS	
Switch lug							
35, 45, 55	10	11	57.5	15	567538	EAPM-L4-SLS	

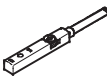
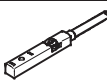
Passive guide axes ELFR, without drive



Accessories

Ordering data						
	For size	Comment	Order code	Part No.	Type	PU ¹⁾
Slot nut NST						
	35	For mounting slot	NM	558045	NST-3-M3	1
	45, 55			150914	NST-5-M5	
Centring sleeve ZBH²⁾						
	35, 45, 55	For slide	-	186717	ZBH-7	10
Slot cover ABP						
	45, 55	For mounting slot every 0.5 m	NC	151681	ABP-5	2

1) Packaging unit

2) 2 centring sleeves included in the scope of delivery of the axis

Ordering data – Proximity sensors for T-slot, inductive							Technical data → Internet: sies	
	Type of mounting	Electrical connection	Switching output	Cable length [m]	Order code	Part No.	Type	
N/O contact								
	Insertable in the slot from above, flush with the cylinder profile	Cable, 3-wire	PNP	7.5	SA	551386	SIES-8M-PS-24V-K-7,5-OE	
		Plug M8x1, 3-pin		0.3	-	551387	SIES-8M-PS-24V-K-0,3-M8D	
		Cable, 3-wire	NPN	7.5	-	551396	SIES-8M-NS-24V-K-7,5-OE	
		Plug M8x1, 3-pin		0.3	-	551397	SIES-8M-NS-24V-K-0,3-M8D	
N/C contact								
	Insertable in the slot from above, flush with the cylinder profile	Cable, 3-wire	PNP	7.5	SB	551391	SIES-8M-PO-24V-K-7,5-OE	
		Plug M8x1, 3-pin		0.3	-	551392	SIES-8M-PO-24V-K-0,3-M8D	
		Cable, 3-wire	NPN	7.5	-	551401	SIES-8M-NO-24V-K-7,5-OE	
		Plug M8x1, 3-pin		0.3	-	551402	SIES-8M-NO-24V-K-0,3-M8D	

Ordering data – Connecting cables					Technical data → Internet: nebu	
	Electrical connection, left	Electrical connection, right	Cable length [m]	Part No.	Type	
	Straight socket, M8x1, 3-pin	Cable, open end, 3-wire	2.5	541333	NEBU-M8G3-K-2.5-LE3	
			5	541334	NEBU-M8G3-K-5-LE3	
	Angled socket, M8x1, 3-pin	Cable, open end, 3-wire	2.5	541338	NEBU-M8W3-K-2.5-LE3	
			5	541341	NEBU-M8W3-K-5-LE3	

Product Range and Company Overview

A Complete Suite of Automation Services

Our experienced engineers provide complete support at every stage of your development process, including: conceptualization, analysis, engineering, design, assembly, documentation, validation, and production.



Custom Automation Components
Complete custom engineered solutions



Custom Control Cabinets
Comprehensive engineering support and on-site services



Complete Systems
Shipment, stocking and storage services

The Broadest Range of Automation Components

With a comprehensive line of more than 30,000 automation components, Festo is capable of solving the most complex automation requirements.



Electromechanical
Electromechanical actuators, motors, controllers & drives



Pneumatics
Pneumatic linear and rotary actuators, valves, and air supply



PLCs and I/O Devices
PLC's, operator interfaces, sensors and I/O devices

Supporting Advanced Automation... As No One Else Can!

Festo is a leading global manufacturer of pneumatic and electromechanical systems, components and controls for industrial automation, with more than 12,000 employees in 56 national headquarters serving more than 180 countries. For more than 80 years, Festo has continuously elevated the state of manufacturing with innovations and optimized motion control solutions that deliver higher performing, more profitable automated manufacturing and processing equipment. Our dedication to the advancement of automation extends beyond technology to the education and development of current and future automation and robotics designers with simulation tools, teaching programs, and on-site services.

Quality Assurance, ISO 9001 and ISO 14001 Certifications

Festo Corporation is committed to supply all Festo products and services that will meet or exceed our customers' requirements in product quality, delivery, customer service and satisfaction.

To meet this commitment, we strive to ensure a consistent, integrated, and systematic approach to management that will meet or exceed the requirements of the ISO 9001 standard for Quality Management and the ISO 14001 standard for Environmental Management.



© Copyright 2008, Festo Corporation. While every effort is made to ensure that all dimensions and specifications are correct, Festo cannot guarantee that publications are completely free of any error, in particular typing or printing errors. Accordingly, Festo cannot be held responsible for the same. For Liability and Warranty conditions, refer to our "Terms and Conditions of Sale", available from your local Festo office. All rights reserved. No part of this publication may be reproduced, distributed, or transmitted in any form or by any means, electronic, mechanical, photocopying or otherwise, without the prior written permission of Festo. All technical data subject to change according to technical update.



Printed on recycled paper at New Horizon Graphic, Inc., FSC certified as an environmentally friendly printing plant.

Festo North America

Festo Regional Contact Center

5300 Explorer Drive
Mississauga, Ontario L4W 5G4
Canada

USA Customers:

For ordering assistance,

Call: 1.800.99.FESTO (1.800.993.3786)

Fax: 1.800.96.FESTO (1.800.963.3786)

Email: customer.service@us.festo.com

For technical support,

Call: 1.866.GO.FESTO (1.866.463.3786)

Fax: 1.800.96.FESTO (1.800.963.3786)

Email: product.support@us.festo.com

Canadian Customers:

Call: 1.877.GO.FESTO (1.877.463.3786)

Fax: 1.877.FX.FESTO (1.877.393.3786)

Email: festo.canada@ca.festo.com

USA Headquarters

Festo Corporation
395 Moreland Road
P.O. Box 18023
Hauppauge, NY 11788, USA
www.festo.com/us

USA Sales Offices

Appleton

North 922 Tower View Drive, Suite N
Greenville, WI 54942, USA

Boston

120 Presidential Way, Suite 330
Woburn, MA 01801, USA

Chicago

1441 East Business Center Drive
Mt. Prospect, IL 60056, USA

Dallas

1825 Lakeway Drive, Suite 600
Lewisville, TX 75057, USA

Detroit – Automotive Engineering Center

2601 Cambridge Court, Suite 320
Auburn Hills, MI 48326, USA

New York

395 Moreland Road
Hauppauge, NY 11788, USA

Silicon Valley

4935 Southfront Road, Suite F
Livermore, CA 94550, USA

United States



USA Headquarters, East: Festo Corp., 395 Moreland Road, Hauppauge, NY 11788

Phone: 1.631.435.0800; Fax: 1.631.435.8026;

Email: info@festo-usa.com

www.festo.com/us

Canada



Headquarters: Festo Inc., 5300 Explorer Drive, Mississauga, Ontario L4W 5G4

Phone: 1.905.624.9000; Fax: 1.905.624.9001;

Email: festo.canada@ca.festo.com

www.festo.ca

Mexico



Headquarters: Festo Pneumatic, S.A., Av. Ceylán 3, Col. Tequesquahuac,
54020 Tlalneantla, Edo. de México

Phone: 011 52 [55] 53 21 66 00; Fax: 011 52 [55] 53 21 66 65;

Email: festo.mexico@mx.festo.com

www.festo.com/mx

Central USA

Festo Corporation
1441 East Business
Center Drive
Mt. Prospect, IL 60056, USA
Phone: 1.847.759.2600
Fax: 1.847.768.9480



Western USA

Festo Corporation
4935 Southfront Road,
Suite F
Livermore, CA 94550, USA
Phone: 1.925.371.1099
Fax: 1.925.245.1286



Festo Worldwide

Argentina Australia Austria Belarus Belgium Brazil Bulgaria Canada Chile China Colombia Croatia Czech Republic Denmark
Estonia Finland France Germany Great Britain Greece Hong Kong Hungary India Indonesia Iran Ireland Israel Italy Japan Latvia
Lithuania Malaysia Mexico Netherlands New Zealand Norway Peru Philippines Poland Romania Russia Serbia Singapore
Slovakia Slovenia South Africa South Korea Spain Sweden Switzerland Taiwan Thailand Turkey Ukraine United States Venezuela

www.festo.com