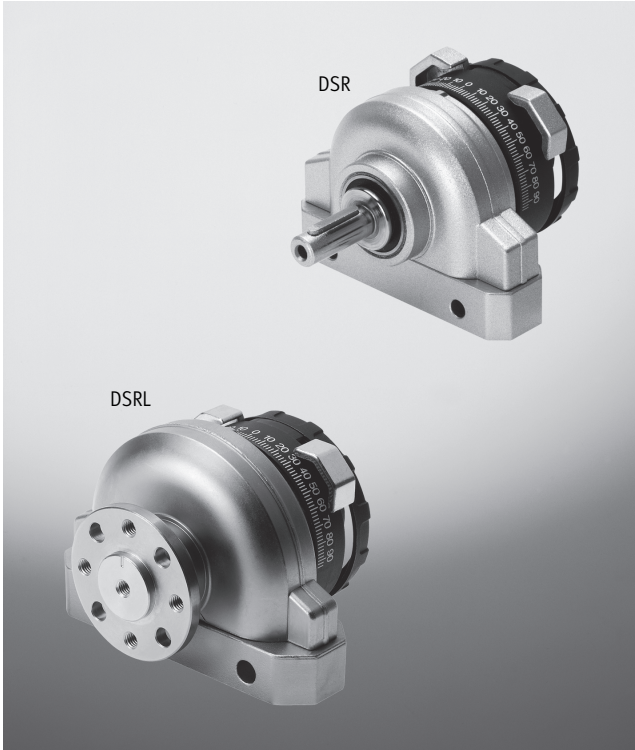


Semi-rotary actuators DSR/DSRL - Inch Series



- Wide variety of mounting options
- Infinitely adjustable rotation angle
- Comprehensive range of accessories

Product range overview						
Function	Version	Piston Ø [in]	Rotation angle [°]	Torque [ft-lbf]	Variants	
					P	FW
Double-acting	Semi-rotary actuator with keyed drive shaft	3/8, 1/2	0 ... 181	0.6 ... 1.1	■	■
		5/8, 1, 1-1/4, 1-5/8	0 ... 184	2.2 ... 22.1	■	■

Variants

P Flexible cushioning pads on each side FW With hollow flanged shaft

Semi-rotary actuators DSR/DSRL - Inch Series

Features

Description

In these semi-rotary actuators, the force is directly transmitted to the drive shaft via a rotary vane. The rotation angle is infinitely adjustable.

The adjustable stop system is separate from the rotary vane so that any forces which occur are absorbed by the stop blocks. The impacts are cushioned at the end positions by built-in flexible pads.

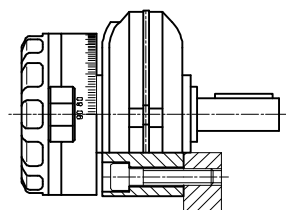
DSRL-...-FW
This design with hollow flanged shaft permits the passage of liquid or

gaseous media, or even tubing or wiring. The force is transmitted directly and backlash-free via a splined shaft.

Mounting options

Without mounting attachments

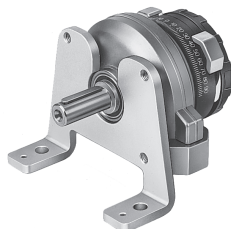
Direct mounting



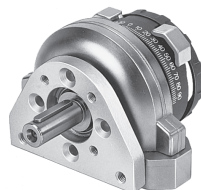
With mounting attachments

For DSR

Foot mounting HSR-...-FW



Flange mounting FSR



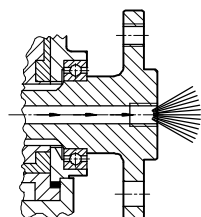
For DSRL

Foot mounting HSR-...-FW

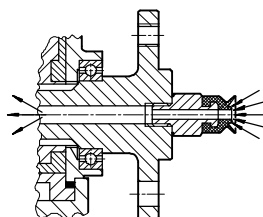


Sample applications with hollow flanged shaft in DSRL

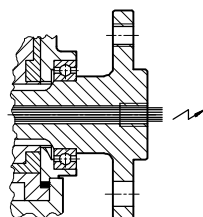
Air blast



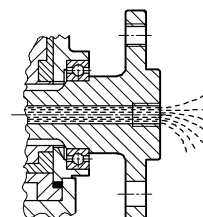
Vacuum



Electrical lines



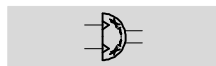
Water, coolant, oil, glue, etc.



Semi-rotary actuators DSR/DSRL - Inch Series

Technical data

Function



Diameter

3/8 ... 1-5/8 inch

Force

0.6 ... 22.1 ft-lbf

Variants

- With keyed shaft
- With hollow flanged shaft



General technical data						
Piston Ø	3/8	1/2	5/8	1	1-1/4	1-5/8
Pneumatic connection	M3	10-32 UNF	10-32 UNF	10-32 UNF	1/8" NPT	1/4" NPT
Design	Semi-rotary actuator with vane drive					
Cushioning	Non-adjustable at both ends					
Magnet for position sensing	Via electrical, pneumatic, or inductive switches (ordered separately, see accessories)					
Rotation angle	0 ... 181°		0 ... 184°			

Operating conditions						
Piston Ø	3/8	1/2	5/8	1	1-1/4	1-5/8
Operating medium	Filtered compressed air, lubricated or unlubricated					
Operating pressure [psi]	36.8 ... 117.6	29.4 ... 117.6	22.1 ... 117.6			
Temperature range ¹⁾ [°F]	+14 ... +140					

1) Note operating range of proximity sensors

Forces and torques						
Piston Ø	3/8	1/2	5/8	1	1-1/4	1-5/8
Torque at 90 psi [ft-lbf]	0.6	1.1	2.2	5.5	11.1	22.1
Max. rotating frequency ²⁾ [Hz]	3					
Max. perm. radial load ³⁾ [lbf]	6.7	10.1	16.9	27.0	45.0	78.7
Max. perm. axial load ³⁾ [lbf]	2.2	4.0	6.7	11.2	16.9	27.0
Max. perm. mass moment of inertia ³⁾	Diagrams					

2) Please observe the max. permissible mass moments of inertia

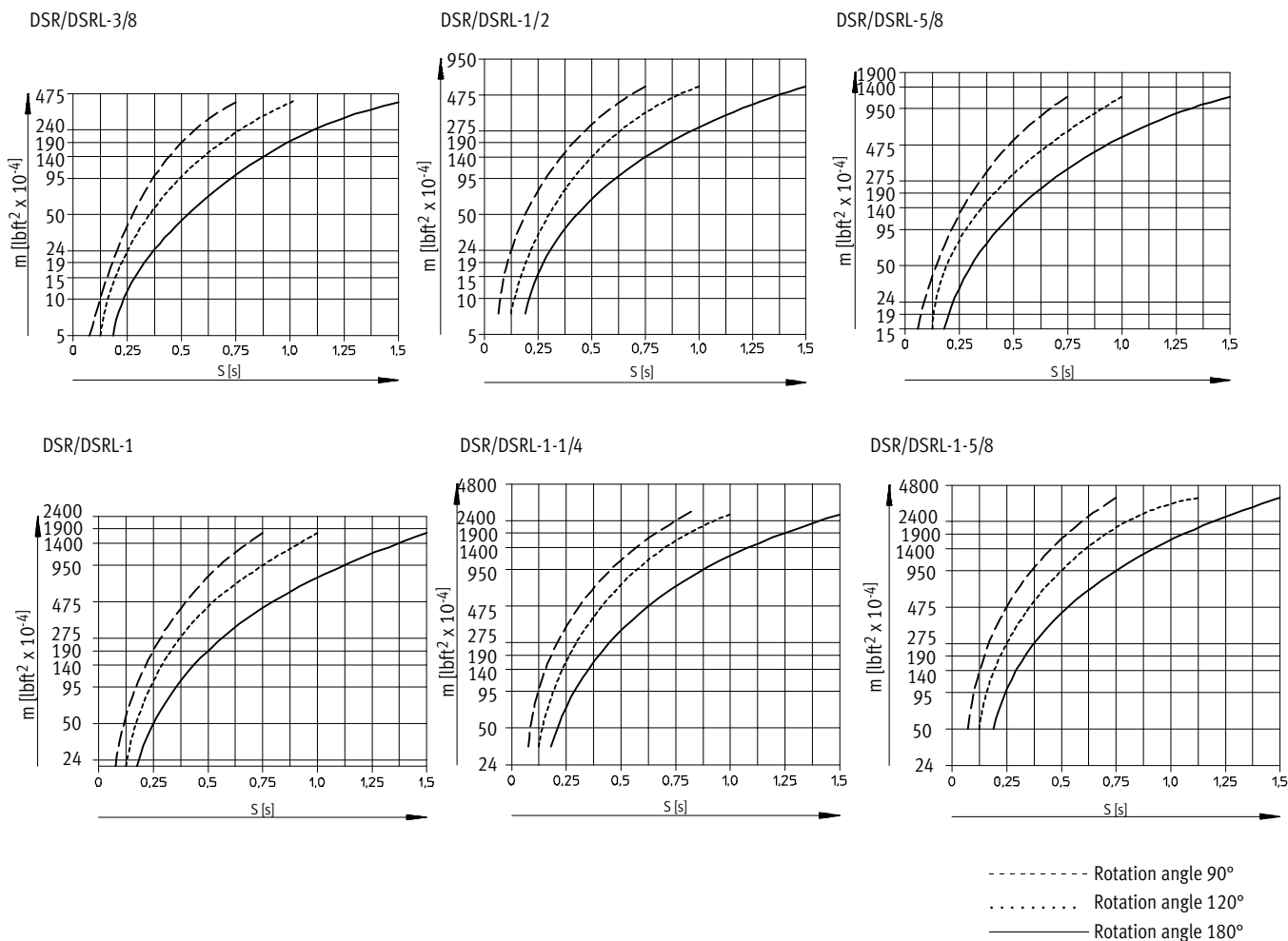
3) On the drive shaft at maximum frequency

Semi-rotary actuators DSR/DSRL - Inch Series

Technical data

Max. permissible mass moment of inertia

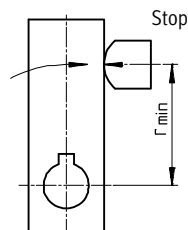
Mass moment of inertia m as a function of rotation time S and rotation angle



Assembly instructions:

If the listed maximum permissible mass moment of inertia is exceeded, external stops must be attached. Please note: the stop must not be less than the minimum radius to the drive shaft (r_{min}). The stop force must not exceed the maximum force.

Due to the flexibility of the internal stops, a precise end position can only be achieved using external stops.



Ø [in]	Stop radius r_{min} [in]	Maximum force [lbf]
3/8	0.5	13.5
1/2	0.6	20.2
5/8	0.7	36.0
1	0.8	71.9
1-1/4	1.1	107.9
1-5/8	1.6	146.1

Note

When throttling the semi-rotary drives to rotating speeds under 180°/s, the drives must be operated at a pressure

of at least 90 psi. A constant speed fluctuation of $\pm 30\%$ is to be expected. The flutters and the

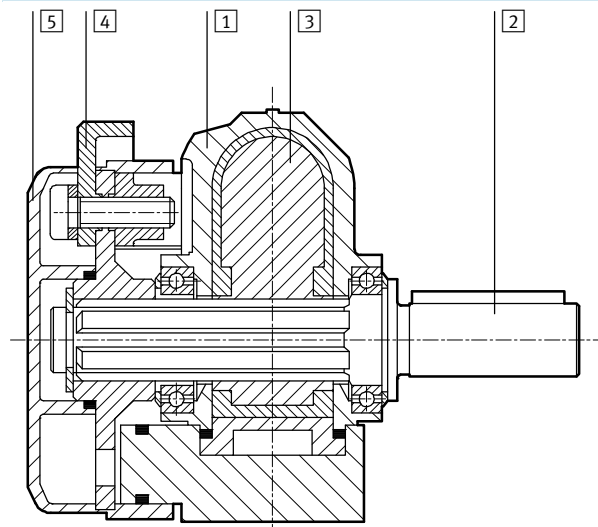
rotating times shown in the diagrams can only be improved by using flow control valves.

Semi-rotary actuators DSR/DSRL - Inch Series

Technical data

Materials

Sectional view



Rotary actuator

1	Housing	Die-cast zinc
2	Drive shaft	Nickel plated steel
3	Rotary vane	Plastic
4	Trip cam	Sintered steel, nickel plated
5	Cover cap	Plastic
-	Seals	Nitrile rubber

Weights [oz]

Piston Ø	3/8	1/2	5/8	1	1-1/4	1-5/8
DSR-...	3.5	7.1	10.9	19.1	45.3	84.7
DSRL-...-FW	4.9	8.5	12.4	21.5	49.0	95.2

Semi-rotary actuators DSR/DSRL - Inch Series

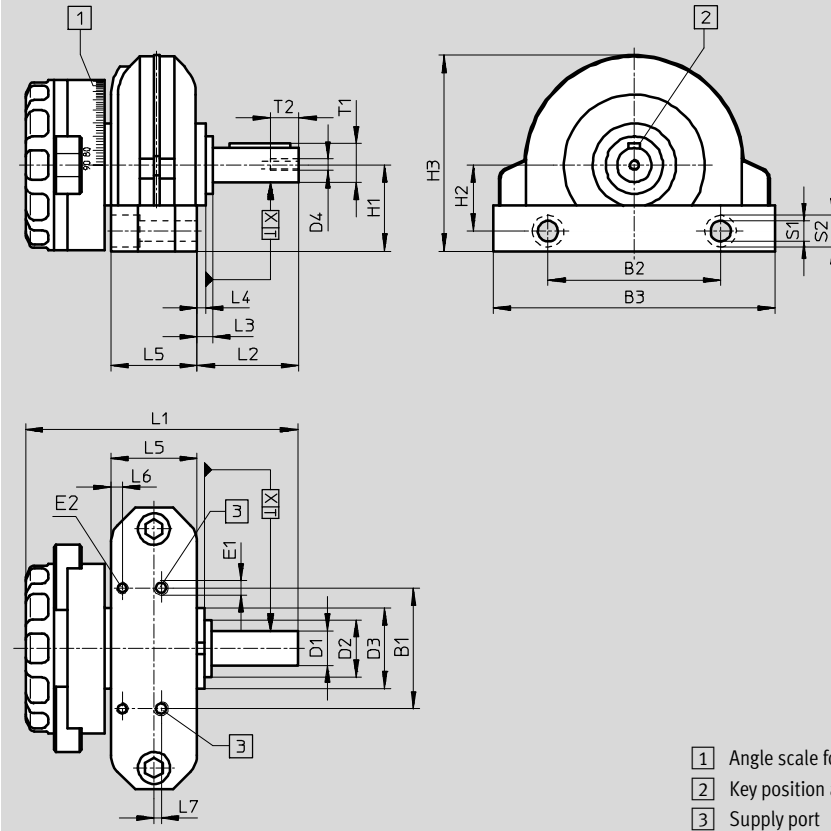
Technical data

FESTO

Dimensions

Download CAD Data → www.festo.com/us/cad

DSR



Note

The rotation angle in both directions is 90°, and it is pressure-dependent. The cushioning angle on each side is approx. 1.6° maximum, at 117.6 psi.

After the rotation process, the kinetic energy is converted by cushioning, the drive shaft rotates back by a corresponding angle.

The stops must not be removed as the rotary vane is not suitable for end-position limiting. The cover cap is equipped with an angle scale for adjusting.

When attaching additional components to the drive shaft, the maximum permissible tightening torque of the bolt at D4 must not be exceeded.

∅ [in]	B1	B2	B3	D1 ∅	D2 ∅	D3 ∅	D4	E1	E2	H1	H2	H3	L1	L2
3/8	0.9	1.3	2.1	15/64	0.5	25/32	1-72 UNF	M3	4-48 UNF	0.8	0.6	1.5	2.2	0.9
1/2	1.0	1.6	2.6	5/16	0.6	7/8	4-48 UNF	10-32 UNF	4-48 UNF	0.9	0.7	1.9	2.6	1.0
5/8	1.2	1.8	3.1	3/8	0.7	61/64	4-48 UNF	10-32 UNF	4-48 UNF	1.1	0.8	2.2	3.0	1.1
1	1.7	2.4	3.9	7/16	0.7	1-7/64	8-32 UNC	10-32 UNF	8-32 UNC	1.2	0.9	2.7	3.7	1.4
1-1/4	2.1	3.1	5.1	5/8	1.1	1-21/32	10-32 UNF	1/8" NPT	8-32 UNC	1.7	1.3	3.6	4.9	2.0
1-5/8	2.8	3.9	6.3	3/4	1.4	2-3/64	1/4-28 UNF	1/4" NPT	8-32 UNC	2.1	1.6	4.8	6.4	2.4

∅ [in]	L3	L4	L5	L6	L7	S1	S2	T1	T2	X	Key ¹⁾ [mm]	Tightening torque at D4 [ft-lbf]
3/8	0.3	0.2	0.6	0.1	0.1	0.1	0.2	0.3	0.3	0.01	A2 x 2 x 12	0.5
1/2	0.2	0.1	0.7	0.1	0.1	0.2	0.3	0.3	0.4	0.01	A2 x 2 x 16	0.9
5/8	0.2	0.1	0.9	0.1	-	0.2	0.4	0.4	0.4	0.01	A3 x 3 x 18	0.9
1	0.2	0.1	1.2	0.2	-	0.3	0.4	0.5	0.4	0.02	A4 x 4 x 25	4.1
1-1/4	0.4	0.3	1.4	0.2	-	0.3	0.6	0.7	0.5	0.02	A5 x 5 x 36	4.1
1-5/8	0.4	0.2	2.0	0.2	-	0.3	0.6	0.9	0.6	0.02	A6 x 6 x 45	4.1

1) included in scope of delivery

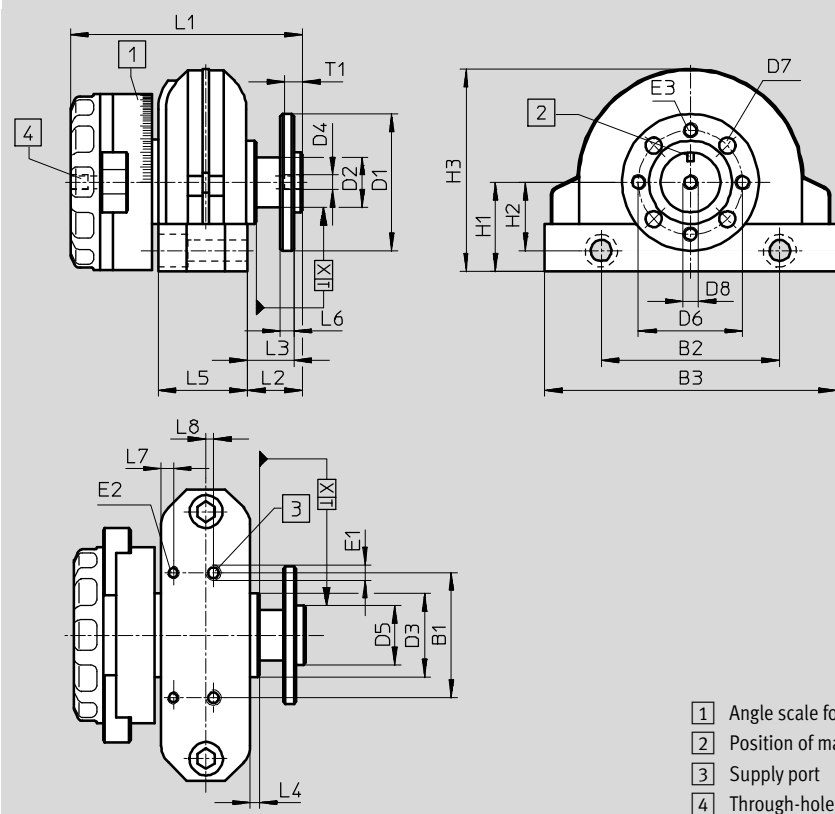
Dimensions are in inches, unless otherwise noted.

Semi-rotary actuators DSR/DSRL - Inch Series

Technical data

Dimensions

DSRL



Note

The rotation angle in both directions is 90°, and it is pressure-dependent. The cushioning angle on each side is approx. 1.6° maximum, at 117.6 psi.

After the rotation process, the kinetic energy is converted by cushioning, the drive shaft rotates back by a corresponding angle.

The stops must not be removed as the rotary vane is not suitable for end-position limiting. The cover cap is equipped with an angle scale for adjusting.

When attaching additional components to the drive flange, the maximum permissible tightening torque of the bolt at D4 must not be exceeded.

- 1 Angle scale for rotation angle reading
- 2 Position of marking at angle scale 0°
- 3 Supply port
- 4 Through-hole

∅	B1	B2	B3	D1	D2	D3	D4	D5	D6	D7	D8	E1	E2	E3	H1
[in]				∅	∅	∅		∅	∅	∅	∅ min.				
3/8	0.9	1.3	2.1	1-3/16	3/8	25/32	1-7/2 UNF	7/16	13/16	0.13	0.06	M3	4-48 UNF	4-48 UNF	0.8
1/2	1.0	1.6	2.6	1-5/16	1/2	7/8	4-48 UNF	35/64	1	0.13	0.06	10-32 UNF	4-48 UNF	4-48 UNF	0.9
5/8	1.2	1.8	3.1	1-1/2	35/64	61/64	10-32 UNF	5/8	1-7/64	0.20	0.14	10-32 UNF	4-48 UNF	10-32 UNF	1.1
1	1.7	2.4	3.9	1-3/4	43/64	1-7/64	8-32 UNC	3/4	1-3/8	0.20	0.14	10-32 UNF	8-32 UNC	10-32 UNF	1.2
1-1/4	2.1	3.2	5.1	2-3/8	15/16	1-21/32	10-32 UNF	1-3/32	1-3/4	0.27	0.28	1/8" NPT	8-32 UNC	1/4-28 UNF	1.7
1-5/8	2.7	3.9	6.3	2-3/4	1-11/64	2-3/64	1/4-28 UNF	1-13/32	2-1/8	0.33	0.28	1/4" NPT	8-32 UNC	5/16-24 UNF	2.1

∅	H2	H3	L1	L2	L3	L4	L5	L6	L7	L8	S1	S2	T1	X	Tightening torque at D4 [ft-lbf]
[in]															
3/8	0.6	1.5	1.9	0.6	0.5	0.2	0.6	1/8	0.1	0.1	0.1	0.2	0.2	0.01	0.7
1/2	0.7	1.9	2.1	0.5	0.5	0.1	0.7	1/8	0.1	0.1	0.2	0.3	0.2	0.01	1.2
5/8	0.8	2.2	2.6	0.6	0.6	0.1	0.9	5/32	0.1	-	0.2	0.4	0.2	0.01	1.2
1	0.9	2.7	3.1	0.7	0.6	0.1	1.2	11/64	0.2	-	0.3	0.4	0.2	0.02	5.5
1-1/4	1.3	3.6	4.1	1.0	0.9	0.3	1.4	15/64	0.2	-	0.3	0.6	0.3	0.02	5.5
1-5/8	1.6	4.8	5.3	1.2	1.0	0.2	2.0	19/64	0.2	-	0.3	0.6	0.3	0.02	5.5

Dimensions are in inches, unless otherwise noted.

Semi-rotary actuators DSR/DSRL - Inch Series

Ordering Data

M Mandatory data

Function	Piston Ø	Rotation angle °	Cushioning	Magnet for position sensing	Shaft type
DSR DSRL	3/8 1/2 5/8 1 1 1/4 1 5/8	0 ... 184	P	A	FW
DSR	1	180	P	A	

Ordering table

Size	3/8	1/2	5/8	1	1 1/4	1 5/8	Code	Enter code
M Function	Semi-rotary actuator with keyed shaft						DSR	
	Semi-rotary actuator, with flanged, hollow drive shaft ¹⁾						DSRL	
Piston Ø [in]	1/2	5/8	3/4	1	1 1/4	1 5/8	-...	
Rotation angle [°]	0 ... 181		0 ... 184				-...	
Cushioning	Non-adjustable at both ends						-P	-P
Magnet for position sensing	For use with magnetic proximity sensor						-A	-A
Shaft type	Keyed shaft (standard - no product code necessary)							
	Hollow flanged shaft						-FW	

1) Shaft type -FW must be specified with DSRL.

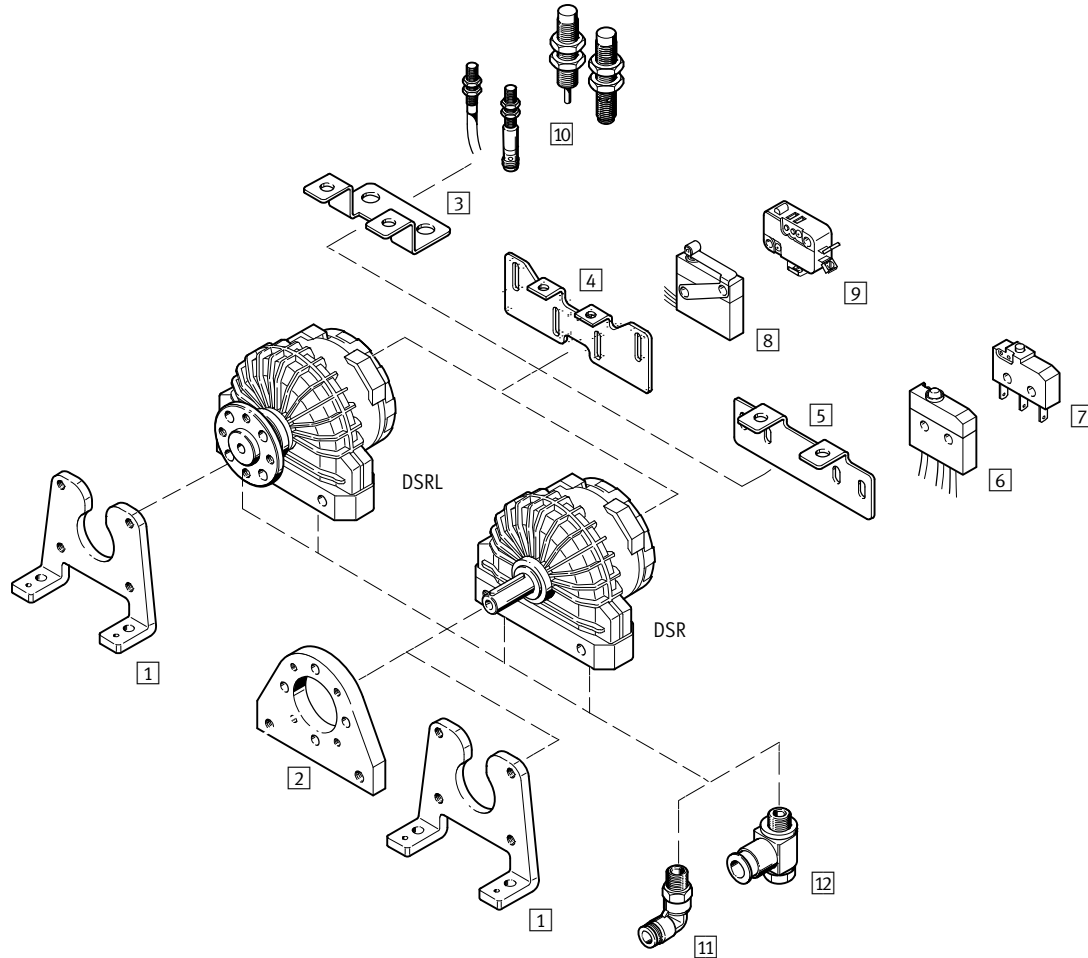
Transfer order code

- - - **P** - **A** -

Semi-rotary actuators DSR/DSRL - Inch Series

Accessories overview

FESTO



Mounting attachments and accessories			
	Description	DSR	DSRL
1	Foot mounting HSR-...-FW	■	■
2	Flange mounting FSR	■	-
3	Mounting kit WSR-...	■	■
4	Mounting kit WSR-12 ... 40	■	■
5	Mounting kit WSR-10/12-K	■	■
6	Micro switch S-3-BE-SW	■	■
7	Micro switch S-3-BE	■	■
8	Micro switch SR-3-E-SW	■	■
9	Micro switch S-3-E	■	■
10	Proximity sensors SIEN	■	■
11	Push-in elbow fitting QSL	■	■
12	One-way flow control valve GRLA	■	■

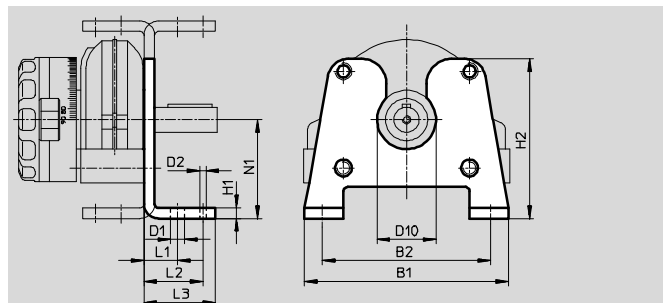
Semi-rotary actuators DSR/DSRL - Inch Series

Accessories



Foot mounting HSR-...-FW

Material:
Steel



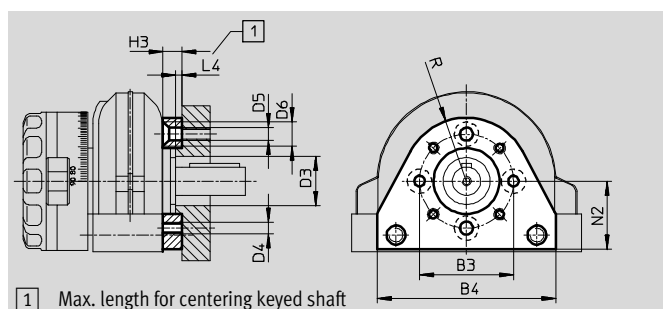
Dimensions and ordering data

For \varnothing [in]	B1	B2	D1 \varnothing	D2	D10	H1	H2	L1	L2	L3	N1	CRC ¹⁾	Weight [oz]	Part No.	Type
3/8	2.1	1.7	0.1	0.1	0.8	0.2	2.1	0.4	0.7	0.8	1.3	2	2.2	33317	HSR-10-FW
1/2	2.5	2.0	0.1	0.1	0.9	0.2	2.5	0.4	0.7	0.8	1.6	2	3.1	30923	HSR-12-FW
5/8	3.0	2.5	0.2	0.1	0.9	0.2	2.8	0.6	0.9	1.0	1.7	2	6.0	30924	HSR-16-FW
1	3.8	3.1	0.3	0.1	1.1	0.2	3.0	0.6	1.1	1.3	1.9	2	8.3	30925	HSR-25-FW
1-1/4	5.1	4.1	0.3	0.2	1.7	0.3	4.3	0.8	1.3	1.7	2.6	2	23.3	30926	HSR-32-FW
1-5/8	6.3	5.1	0.3	0.2	2.0	0.3	5.3	1.0	1.7	2.0	3.2	2	36.7	30927	HSR-40-FW

1) Corrosion resistance class 2 according to Festo standard 940 070
Components with moderate corrosion resistance for use in normal industrial environments subjected to contact with coolants or lubricating agents.

Flange mounting FSR

Material:
Die-cast Aluminum



Dimensions and ordering data

For \varnothing [in]	B3	B4	D3 \varnothing min.	D4	D5 \varnothing	D6 \varnothing	H3	L4 max.	N2	R	CRC ¹⁾	Weight [oz]	Part No.	Type
3/8	1.1	1.8	0.5	M3	0.1	0.3	0.3	0.1	0.8	0.7	2	0.8	34480	FSR-10
1/2	1.2	2.1	0.7	M3	0.1	0.3	0.3	0.1	0.9	0.8	2	1.1	14658	FSR-12
5/8	1.4	2.4	0.7	M4	0.2	0.3	0.3	0.1	1.0	0.9	2	1.8	13236	FSR-16
1	1.6	3.0	0.8	M5	0.2	0.4	0.3	0.1	1.1	1.1	2	2.5	13237	FSR-25
1-1/4	2.2	3.9	1.3	M6	0.3	0.5	0.5	0.1	1.7	1.4	2	6.3	13238	FSR-32
1-5/8	2.8	4.7	1.5	M8	0.4	0.6	0.6	0.2	2.0	1.8	2	10.6	14655	FSR-40

1) Corrosion resistance class 2 according to Festo standard 940 070
Components with moderate corrosion resistance for use in normal industrial environments subjected to contact with coolants or lubricating agents.

Dimensions are in inches, unless otherwise noted.

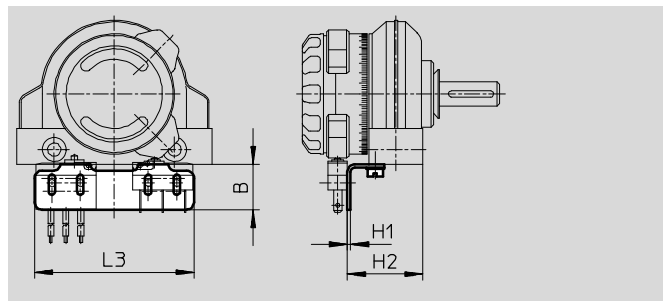
Semi-rotary actuators DSR/DSRL - Inch Series

Accessories

Mounting kit WSR-10/12-K

For micro switch S-3-BE, S-3-BE-SW

Material:
Steel



Dimensions and ordering data

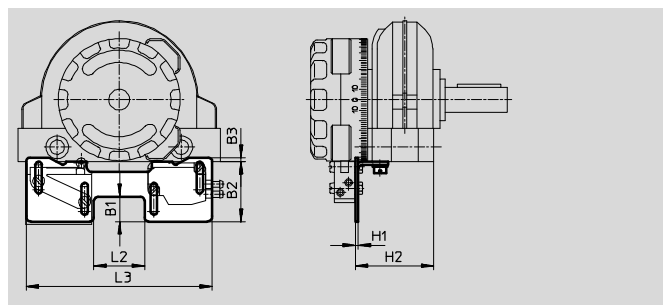
For Ø [in]	B	H1	H2	L3	CRC ¹⁾	Weight [oz]	Part No.	Type
3/8	0.6	0.04	0.9	1.9	2	0.4	33414	WSR-10-K
1/2	0.6	0.04	1.0	2.1	2	0.5	15686	WSR-12-K

1) Corrosion resistance class 2 according to Festo standard 940 070
Components with moderate corrosion resistance for use in normal industrial environments subjected to contact with coolants or lubricating agents.

Mounting kit WSR-1/2 ... 1-5/8

For micro switch S-3-E, SR-3-E-SW

Material:
Steel



Dimensions and ordering data

For Ø [in]	B1	B2	B3	H1	H2	L2	L3	CRC ¹⁾	Weight [oz]	Part No.	Type
1/2	0.2	0.9	0.2	0.1	0.9	0.6	3.1	2	0.4	15684	WSR-12
5/8	0.4	1.0	0.2	0.1	1.2	0.7	3.3	2	0.8	14874	WSR-16
1	0.5	1.1	0.1	0.1	1.5	1.0	3.5	2	0.9	14796	WSR-25
1-1/4	0.5	1.1	0.1	0.1	1.9	1.6	4.2	2	1.0	14960	WSR-32
1-5/8	0.5	1.1	0.1	0.1	2.7	2.0	4.7	2	1.1	14961	WSR-40

1) Corrosion resistance class 2 according to Festo standard 940 070
Components with moderate corrosion resistance for use in normal industrial environments subjected to contact with coolants or lubricating agents.

Dimensions are in inches, unless otherwise noted.

Semi-rotary actuators DSR/DSRL - Inch Series

FESTO

Accessories

Mounting kits WSR

WSR-...-J

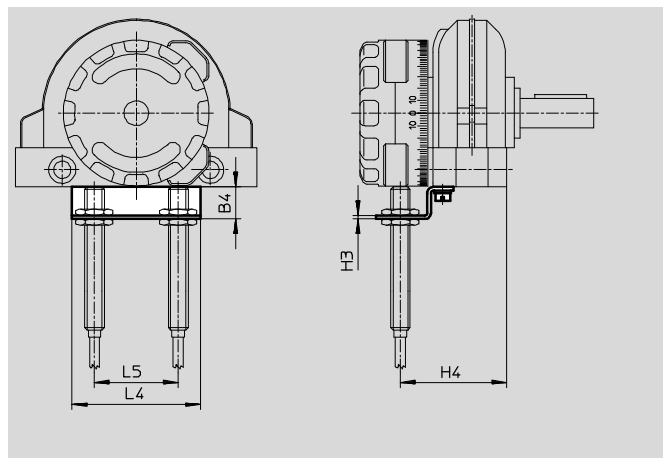
For proximity sensors SIEN-M8

WSR-...-J-M5

For proximity sensors SIEN-M5

Material:

Steel



Dimensions and ordering data

WSR-...-J

For Ø [in]	B4	H3	H4	L4	L5	CRC ¹⁾	Weight [oz]	Part No.	Type
3/8	0.5	0.1	1.4	2.0	1.1	2	0.4	14873	WSR-16-J
1/2	0.5	0.1	1.7	2.0	1.3	2	0.6	14799	WSR-25-J
5/8	0.5	0.1	2.1	2.5	1.9	2	0.6	14962	WSR-32-J
1	0.5	0.1	3.0	3.1	2.4	2	0.8	14963	WSR-40-J

Dimensions and ordering data

WSR-...-J-M5

For Ø [in]	B4	H3	H4	L4	L5	CRC ¹⁾	Weight [oz]	Part No.	Type
3/8	0.3	0.04	1.0	1.2	0.8	2	0.2	33413	WSR-10-J-M5
1/2	0.3	0.04	1.1	1.3	1.0	2	0.4	15685	WSR-12-J-M5
5/8	0.3	0.04	1.4	1.5	1.1	2	2.8	15931	WSR-16-J-M5
1	0.5	0.06	1.7	2.0	1.3	2	0.6	15932	WSR-25-J-M5
1-1/4	0.5	0.06	2.1	2.5	1.9	2	0.9	15933	WSR-32-J-M5
1-5/8	0.5	0.06	3.0	3.1	2.4	2	1.1	15934	WSR-40-J-M5

1) Corrosion resistance class 2 according to Festo standard 940 070

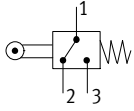
Components with moderate corrosion resistance for use in normal industrial environments subjected to contact with coolants or lubricating agents.

Dimensions are in inches, unless otherwise noted.

Semi-rotary actuators DSR/DSRL - Inch Series

Accessories

Electrical limit switch for end-position sensing

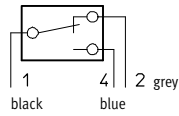


The switching point may only be exceeded by 0.02 inch in these electrical limit switches. Actuation only vertical to stem axis.

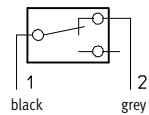
	S-3-BE	S-3-BE-SW	S-3-E	SR-3-E-SW
Connection	3 push-in connectors (0.11x0.02 inch)	3 wires (0.0012 in ²)	Screw connector	3 wires 3.3 ft long
Contact rating	See table below			
Operating voltage	250 V AC/250 V DC			
Line current ohmic load	–	–	6 A/250 V AC 0.25 A/250 V DC	5 A/250 V AC 0.25 A/250 V DC
Line current inductive load	–	–	2 A/250 V AC 0.1 A/250 V DC	2 A/250 V AC 0.03 A/250 V DC
Utilization category	AC 12/DC 12 (ohmic load) AC 14/DC 13 (inductive load)			
CE symbol	Yes, as per EU Directive 73/23/EEC			
Protection class to EN 60529	IP40	IP67	IP00	IP65
Temperature range	–4 ... +185 °F		–4 ... +176 °F	
Material	Housing, cover: black plastic			
Weight	0.07 oz	0.56 oz	0.25 oz	0.35 oz

Contact configuration:

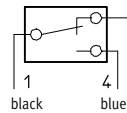
Changeover switch



NC contact



NO contact



Contact rating				
S-3-BE, S-3-BE-SW				
AC voltage				
Voltage [V] ~	Resistance load [A]	Inductive load [A]		
12	6	6		
24	3	2		
60	1	0.5		
110	0.5	0.2		
220	0.25	0.1		
S-3-E	DC	AC	DC	AC
12	6	–	6	–
24	6	–	6	–
60	1	–	0.5	–
110	0.5	–	0.2	–
220	0.25	–	0.1	–
250	–	6	–	2
SR-3-E-SW	DC	AC	DC	AC
15	3	–	5	–
30	3	–	5	–
50	1	–	1	–
75	0.25	–	0.75	–
125	0.03	5	0.5	5
250	0.03	5	0.25	5

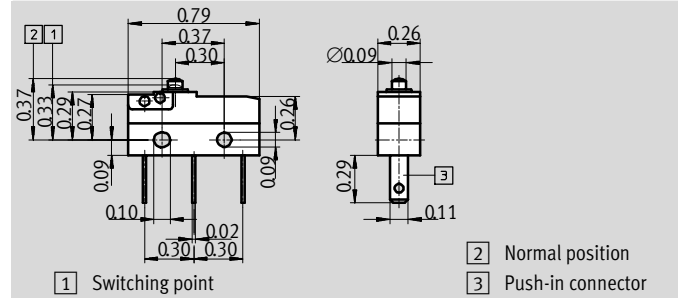
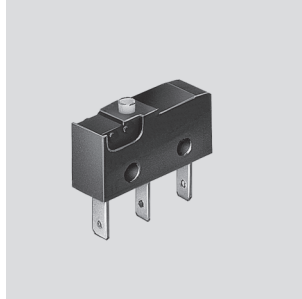
Semi-rotary actuators DSR/DSRL - Inch Series

Accessories

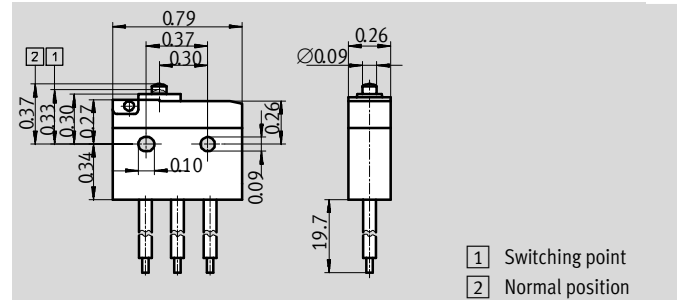
FESTO

Electrical limit switches for end-position sensing

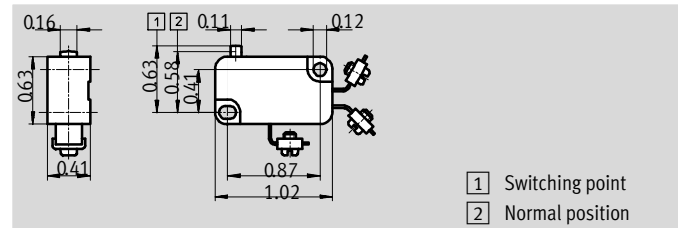
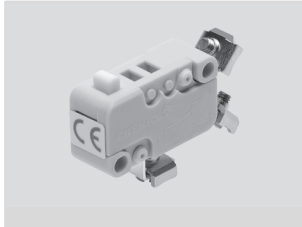
Micro switch
S-3-BE



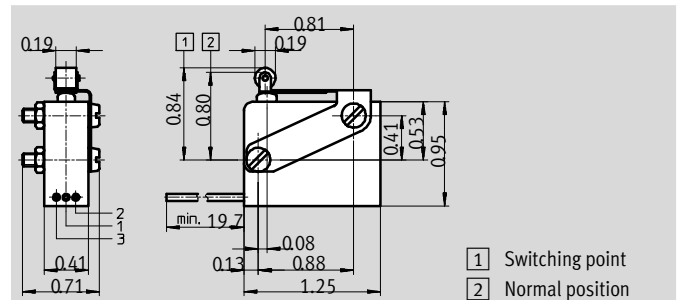
Micro switch with cable (splash-proof)
S-3-BE-SW



Micro switch
S-3-E



Micro switch with roller lever
(splash-proof)
SR-3-E-SW




Ordering data				
For Ø [in]	Description	Design	Part No.	Type
3/8 ... 1/2	Micro switch	Spade connectors	30648	S-3-BE
	Micro switch, splash-proof	With cable	30649	S-3-BE-SW
5/8 ... 1-5/8	Micro switch	Screw connectors	7347	S-3-E
	Micro switch, splash-proof	With roller lever	14797	SR-3-E-SW



Dimensions are in inches, unless otherwise noted.


Semi-rotary actuators DSR/DSRL - Inch Series

FESTO

Accessories

Ordering data – Sensors					
	For Ø [in]	Remarks	Connection	Part No.	Type
	3/8 ... 1-5/8	For mounting kit WSR-...-J-M5	Cable	150370	SIEN-M5B-PS-K-L
			Plug	150371	SIEN-M5B-PS-S-L
	5/8 ... 1-5/8	For mounting kit WRM-...-J	Cable	150386	SIEN-M8B-PS-K-L
			Plug	150387	SIEN-M8B-PS-S-L

Ordering data – Plug sockets							
	Mounting	Switch output		Connection	Cable length [ft]	Part No.	Type
		PNP	NPN				
Straight socket							
	M8 union nut	■	■	3-pin	8.2	159420	SIM-M8-3GD-2.5-PU
					16.4	159421	SIM-M8-3GD-5-PU
Angled socket							
	M8 union nut	■	■	3-pin	8.2	159422	SIM-M8-3WD-2.5-PU
					16.4	159423	SIM-M8-3WD-5-PU

Ordering data – One-way flow control valves				
	Connection		Part No.	Type
	Thread	For tubing OD		
	10-32 UNF	5/32"	165008	GRLA-10-32-UNF-QS-5/32-U
		1/4"	192753	GRLA-10-32-UNF-QS-1/4-U
	1/8" NPT	5/32"	165009	GRLA-1/8-NPT-QS-5/32-U
		3/16"	190941	GRLA-1/8-NPT-QS-3/16-U
		1/4"	165010	GRLA-1/8-NPT-QS-1/4-U
		5/16"	165013	GRLA-1/8-NPT-QS-5/16-U
	1/4" NPT	3/16"	190944	GRLA-1/4-NPT-QS-3/16-U
		1/4"	165011	GRLA-1/4-NPT-QS-1/4-U
		5/16"	165014	GRLA-1/4-NPT-QS-5/16-U
		3/8"	190947	GRLA-1/4-NPT-QS-3/8-U

Product Range and Company Overview

A Complete Suite and Company Overview

Our experienced engineers provide complete support at every stage of your development process, including: conceptualization, analysis, engineering, design, assembly, documentation, validation, and production.



Custom Automation Components
Complete custom engineered solutions



Custom Control Cabinets
Comprehensive engineering support and on-site services



Complete Systems
Shipment, stocking and storage services

The Broadest Range of Automation Components

With a comprehensive line of more than 30,000 automation components, Festo is capable of solving the most complex automation requirements.



Electromechanical
Electromechanical actuators, motors, controllers & drivers



Pneumatics
Pneumatic linear and rotary actuators, valves, and air supply



PLCs and I/O Devices
PLC's, operator interfaces, sensors and I/O devices

Supporting Advanced Automation... As No One Else Can!

Festo is a leading global manufacturer of pneumatic and electromechanical systems, components and controls for industrial automation, with more than 16,000 employees in 60 national headquarters serving more than 180 countries. For more than 80 years, Festo has continuously elevated the state of manufacturing with innovations and optimized motion control solutions that deliver higher performing, more profitable automated manufacturing and processing equipment. Our dedication to the advancement of automation extends beyond technology to the education and development of current and future automation and robotics designers with simulation tools, teaching programs, and on-site services.

Quality Assurance, ISO 9001 and ISO 14001 Certifications

Festo Corporation is committed to supply all Festo products and services that will meet or exceed our customers' requirements in product quality, delivery, customer service and satisfaction.

To meet this commitment, we strive to ensure a consistent, integrated, and systematic approach to management that will meet or exceed the requirements of the ISO 9001 standard for Quality Management and the ISO 14001 standard for Environmental Management.

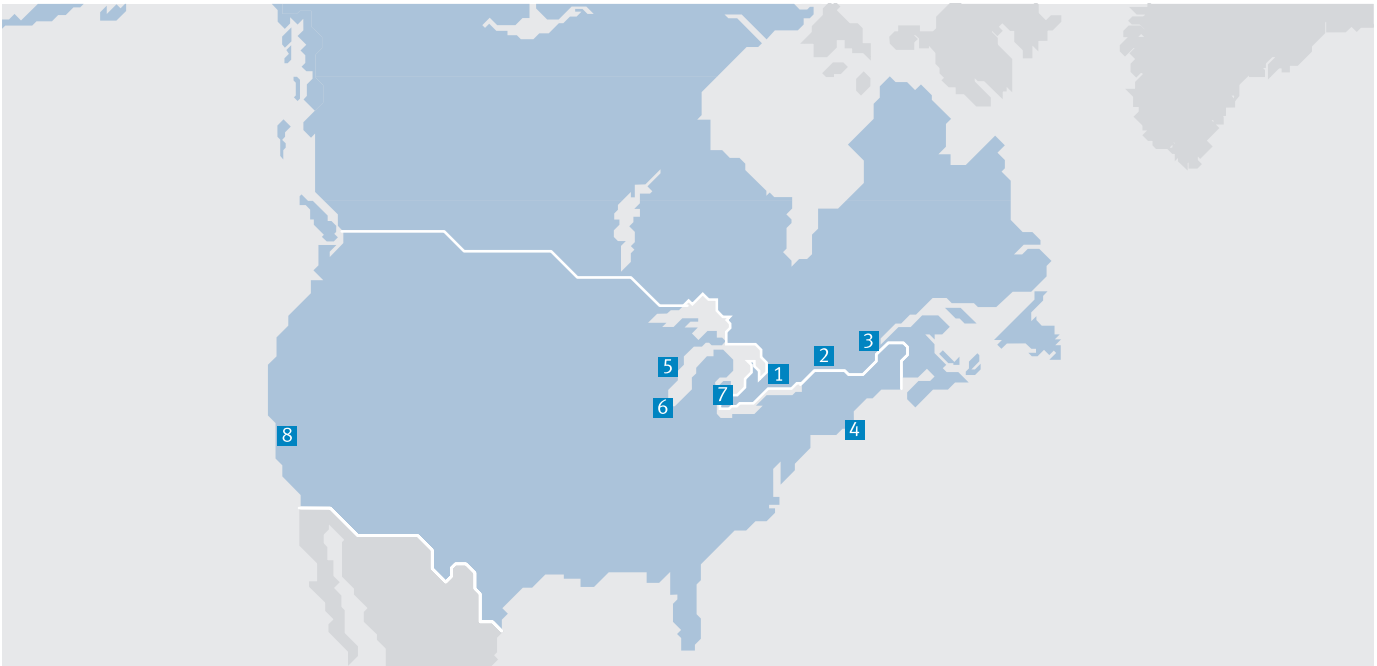


© Copyright 2013, Festo Corporation. While every effort is made to ensure that all dimensions and specifications are correct, Festo cannot guarantee that publications are completely free of any error, in particular typing or printing errors. Accordingly, Festo cannot be held responsible for the same. For Liability and Warranty conditions, refer to our "Terms and Conditions of Sale", available from your local Festo office. All rights reserved. No part of this publication may be reproduced, distributed, or transmitted in any form or by any means, electronic, mechanical, photocopying or otherwise, without the prior written permission of Festo. All technical data subject to change according to technical update.



Printed on recycled paper at New Horizon Graphic, Inc., FSC certified as an environmental friendly printing plant.

Festo North America



**1 Festo Canada
Headquarters
Festo Inc.**
5300 Explorer Drive
Mississauga, ON
L4W 5G4

2 Montréal
5600, Trans-Canada
Pointe-Claire, QC
H9R 1B6

3 Québec City
2930, rue Watt#117
Québec, QC
G1X 4G3



**4 Festo United States
Headquarters
Festo Corporation**
395 Moreland Road
Hauppauge, NY
11788

5 Appleton
North 922 Tower View Drive, Suite N
Greenville, WI
54942

7 Detroit
1441 West Long Lake Road
Troy, MI
48098

6 Chicago
85 W Algonquin - Suite 340
Arlington Heights, IL
60005

8 Silicon Valley
4935 Southfront Road, Suite F
Livermore, CA
94550

Festo Regional Contact Center

Canadian Customers

Commercial Support:
Tel: 1 877 GO FESTO (1 877 463 3786)
Fax: 1 877 FX FESTO (1 877 393 3786)
Email: festo.canada@ca.festo.com

Technical Support:
Tel: 1 866 GO FESTO (1 866 463 3786)
Fax: 1 877 FX FESTO (1 877 393 3786)
Email: technical.support@ca.festo.com

USA Customers

Commercial Support:
Tel: 1 800 99 FESTO (1 800 993 3786)
Fax: 1 800 96 FESTO (1 800 963 3786)
Email: customer.service@us.festo.com

Technical Support:
Tel: 1 866 GO FESTO (1 866 463 3786)
Fax: 1 800 96 FESTO (1 800 963 3786)
Email: product.support@us.festo.com

Subject to change

Internet: www.festo.com/us