

# Round Cylinders DSNU, Double-acting – Inch Series



- Piston  $\varnothing$  5/16" to 2-1/2"
- Stroke lengths up to 20"
- Double-acting
- Meets the highest requirements for running characteristics, service life and load carrying ability
- Extensive range of accessories

Product Range Overview									
Function	Type	Piston $\varnothing$ [in]	Stroke [in]	Force [lbf]	Variants				→ Page
					P	PPV	A	S2	
Double-acting	DSNU	5/16, 3/8, 1/2, 5/8, 3/4, 1	0.04 ... 19.6	5.2 ... 66.3	■	■ <sup>1)</sup>	■	■	2
		1-1/4, 1-5/8, 2, 2-1/2	0.125 ... 19.6	93 ... 421	■	■ <sup>1)</sup>	■	■	15

1) Adjustable as of Piston  $\varnothing$  5/8"

## Variants

P	Flexible cushioning at both ends	PPV	Adjustable air cushioning at both ends	A	Magnet for position sensing	S2	Through piston rod
---	----------------------------------	-----	--	---	-----------------------------	----	--------------------

Type	Piston $\varnothing$ [in]	Standard Stroke [in]	Variable Stroke <sup>1)</sup> [in]
DSNU	5/16, 3/8	1/2, 1, 2, 3, 4	0.04 ... 4
	1/2, 5/8	1/2, 1, 2, 3, 4, 5, 6, 8	0.04 ... 8
	3/4	1/2, 1, 2, 3, 4, 5, 6, 8, 10, 12	0.04 ... 12.5
	1	1/2, 1, 2, 3, 4, 5, 6, 8, 10, 12	0.04 ... 19.6
	1-1/4, 1-5/8, 2, 2-1/2	1, 1-1/2, 2, 3, 4, 6, 8, 12	0.125 ... 20

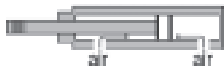
1) Reliable position sensing requires a minimum stroke of 0.4 inch.

# Round Cylinders DSNU – Inch Series (Sizes 5/16” to 1”)

FESTO

Technical Data

Double-acting



Variants:

- Through piston rod (S2)



- $\varnothing$  - Diameter  
5/16 ... 1 in
- | - Stroke length  
0.04 ... 19.6 in

General Technical Data							
Piston $\varnothing$	[in]	5/16	3/8	1/2	5/8	3/4	1
Pneumatic connection		10-32 UNF	10-32 UNF	10-32 UNF	10-32 UNF	1/8" NPT	1/8" NPT
Piston rod thread		6-32 UNC	6-32 UNC	10-32 UNF	10-32 UNF	5/16-24 UNF	3/8-24 UNF
Constructional design		Piston					
		Piston rod					
		Cylinder barrel					
Cushioning		Flexible cushioning rings at both ends (P)					
					Adjustable air cushioning at both ends (PPV)		
Cushioning length (PPV)	[in]	-			0.47	0.59	0.67
Magnet for position sensing <sup>1)</sup>		Optional					

1) Position sensing via magnetic proximity sensor (ordered separately, see accessories).

Operating Pressure [psi]							
Piston $\varnothing$	[in]	5/16	3/8	1/2	5/8	3/4	1
Operating medium		Filtered compressed air, lubricated or unlubricated					
Operating pressure		22.1 ... 147.0		14.7 ... 147.0			

Ambient Conditions		
Ambient temperature <sup>1)</sup>	[°F]	-4 ... +176
Corrosion resistance class CRC <sup>2)</sup>		2

1) Note operating range of proximity sensors

2) Corrosion resistance class 2 according to Festo standard 940 070

Components with moderate corrosion resistance for use in normal industrial environments subjected to contact with coolants or lubricating agents.

# Round Cylinders DSNU – Inch Series (Sizes 5/16” to 1”)

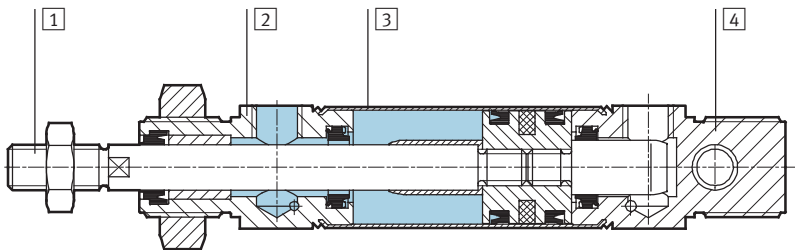
Technical Data

Forces [lbf] and Impact Energy [ft-lbf]						
Piston Ø [in]	5/16	3/8	1/2	5/8	3/4	1
Theoretical force at 90 psi, extending	6.7	10.6	15.3	27.2	42.5	66.3
Theoretical force at 90 psi, retracting	5.2	9.0	11.5	23.4	35.5	55.5
Max. impact energy at the end positions	0.022	0.037	0.052	0.11	0.15	0.22

Weights [oz]						
Piston Ø [in]	5/16	3/8	1/2	5/8	3/4	1
Product weight with 0 inch stroke	1.22	1.32	2.65	3.17	6.59	8.40
Additional weight per 1 inch stroke	0.20	0.25	0.36	0.41	0.64	0.99

## Materials

Sectional view



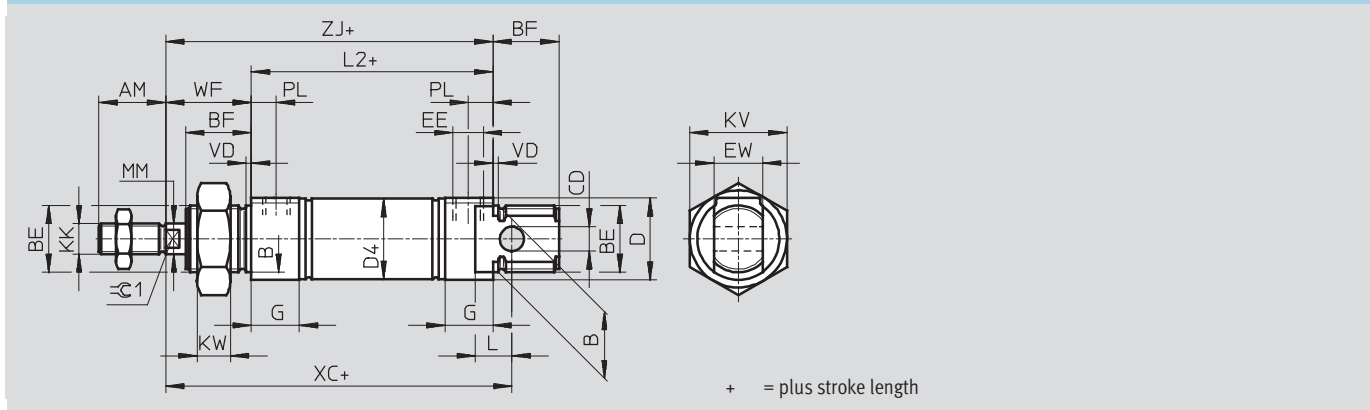
DSNU	
1	Piston rod High-alloy stainless steel
2	Bearing cap Wrought aluminum alloy
3	Cylinder barrel High-alloy stainless steel
4	End cap Wrought aluminum alloy
–	Seals Polyurethane, nitrile rubber

# Round Cylinders DSNU – Inch Series (Sizes 5/16" to 1")

Technical Data



## Dimensions – Basic Version

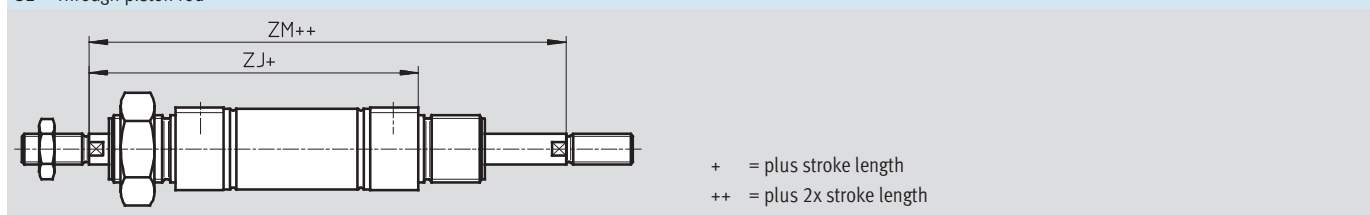


∅ [in]	AM	B ∅	BE	BF	CD ∅	D ∅	D4 ∅	EE	EW	G	KK	KV
5/16	0.5	0.5	M12x1.25	0.5	0.2	0.6	0.37	10-32 UNF	0.3	0.4	6-32 UNC	0.7
3/8							0.44					
1/2	0.6	0.6	M16x1.5	0.7	0.2	0.8	0.52		0.5	10-32 UNF	0.9	
5/8							0.68					
3/4	0.8	0.9	M22x1.5	0.8	0.3	1.0	0.84	1/8" NPT	0.6	0.6	5/16-24 UNF	1.3
1	0.9			0.9			1.04				3/8-24 UNF	

∅ [in]	KW	L	L2	MM ∅	PL	TO	VD	WF	XC	ZJ	⊖G1 [mm]
5/16	0.2	0.2	1.8	0.2	0.2	0.7	0.1	0.6	2.5	2.4	-
3/8			2.0							2.8	5
1/2	0.3	0.4	2.2	3.0	3.1	7					
5/8			2.7	3.2	3.6	7					
3/4	0.4	0.5	8.2	3.7	3.6	7					
1			2.74	4.1	3.8	9					

## Dimensions – Variants

S2 – Through piston rod



∅ [in]	ZJ	ZM
5/16	2.4	3.08
3/8		3.7
1/2	3.0	3.9
5/8	3.6	4.6
3/4	3.84	4.94

Dimensions are in inches, unless otherwise noted.

# Round Cylinders DSNU – Inch Series (Sizes 5/16" to 1")



Ordering Data

Mandatory Data				Options	
Function	Piston Ø	Stroke	Cushioning	Magnet for position sensing	Type of piston rod
DSNU	5/16 3/8 1/2 5/8 3/4 1	0.04 ... 19.6	P PPV	A	S2
<b>DSNU</b>	<b>1</b>	<b>- 7.5</b>	<b>- P</b>	<b>- A</b>	<b>- S2</b>

Ordering Table										
Size	5/16	3/8	1/2	5/8	3/4	1	Conditions	Code	Enter code	
Function	Standard cylinder, double-acting							<b>DSNU</b>	DSNU	
Piston Ø [in]	5/16	3/8	1/2	5/8	3/4	1		-...		
Stroke [in]	0.04 ... 4		0.04 ... 8		0.04 ... 12.5		0.04 ... 19.6		-	
Cushioning	Flexible cushioning rings at both ends								<b>-P</b>	
	-	-	-	Adjustable air cushioning at both ends					<b>-PPV</b>	
Magnet for position sensing	For use with magnetic proximity sensor						<b>1</b>		<b>-A</b>	
Type of piston rod	Through piston rod								<b>-S2</b>	

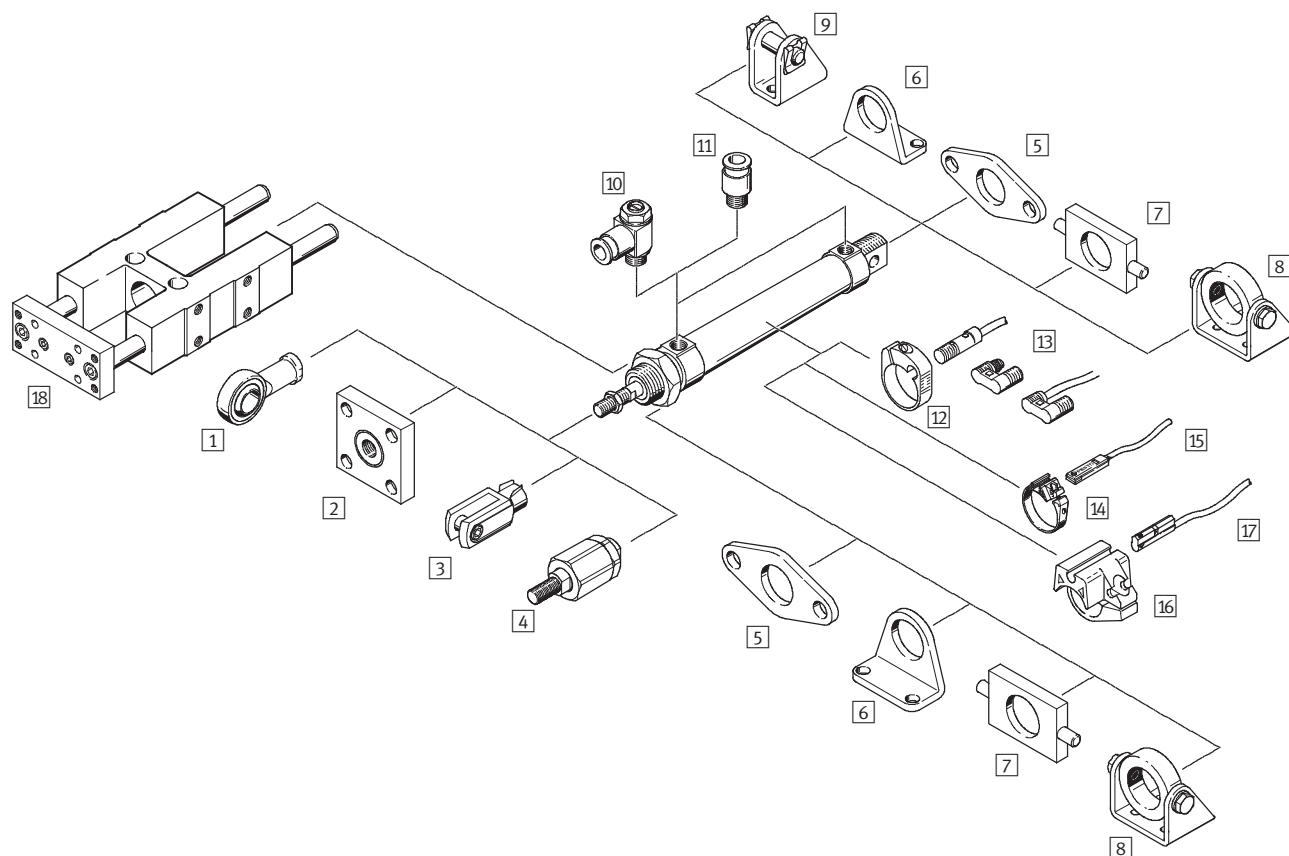
<sup>1</sup> Reliable position sensing requires a minimum stroke of 0.4 inch.

Transfer order code

-  -  -  -  -

# Round Cylinders DSNU/ESNU – Inch Series (Sizes 5/16" to 1")

Accessories Overview



Mounting Attachments and Accessories		→ Page
1	Rod eye SGS	10
2	Coupling piece KSZ	10
3	Rod clevis SG	10
4	Self-aligning rod coupler FK	10
5	Flange mounting FBN	8
6	Foot mounting HBN	7
7	Swivel mounting WBN	9
8	Swivel mounting SBN	8
9	Clevis foot LBN	9
10	One-way flow control valve GRLA/GRLZ	11
11	Push-in fitting QS	11
12	Sensor mounting kit SMBR	12
13	Proximity switch SMEO/SMT0	12
14	Sensor mounting kit SMBR-8	13
15	Proximity switch SME/SMT-8	13
16	Sensor mounting kit SMBR-10	14
17	Proximity switch SME/SMT-10	14
18	Guide unit FEN	10

# Round Cylinders DSNU/ESNU – Inch Series (Sizes 5/16” to 1”)



Accessories

## Foot Mounting HBN

Scope of delivery:

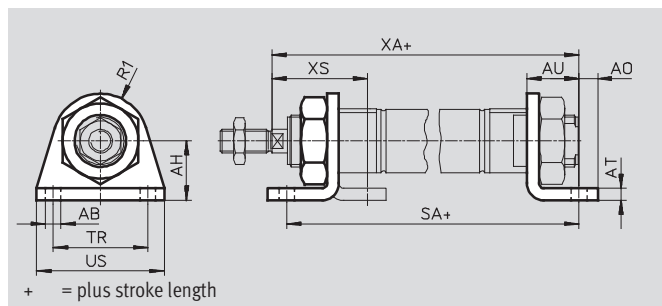
HBN-...x1: 1 foot

HBN-...x2: 2 feet and 1 nut

Material:

HBN: Galvanized steel

Free of copper, PTFE and silicone



Dimensions											
∅	AB ∅	AH	AO	AT	AU	R1	SA	TR	US	XA	XS
[in]											
5/16, 3/8	0.18	0.6	0.2	0.1	0.4	0.4	2.7	1.0	1.4	2.9	0.9
1/2	0.22	0.8	0.2	0.2	0.6	0.5	3.1	1.3	1.7	3.4	1.3
5/8	0.22	0.8	0.2	0.2	0.6	0.5	3.3	1.3	1.7	3.6	1.3
3/4	0.26	1.0	0.3	0.2	0.7	0.8	4.0	1.6	2.1	4.3	1.4
1	0.26	1.0	0.3	0.2	0.7	0.8	4.08	1.6	2.1	4.51	1.6

Ordering Data				
∅	Basic version			
[in]	CRC <sup>1)</sup>	Weight [oz]	Part No.	Type
5/16, 3/8	2	0.7	5123	HBN-8/10x1
	2	1.9	5124	HBN-8/10x2
1/2, 5/8	2	1.4	5125	HBN-12/16x1
	2	3.7	5126	HBN-12/16x2
3/4, 1	2	3.2	5127	HBN-20/25x1
	2	7.8	5128	HBN-20/25x2

1) Corrosion resistance class 2 according to Festo standard 940 070

Components with moderate corrosion resistance for use in normal industrial environments subjected to contact with coolants or lubricating agents.

Dimensions are in inches, unless otherwise noted.

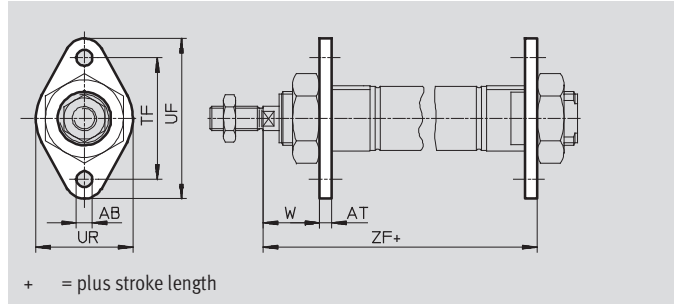
# Round Cylinders DSNU/ESNU – Inch Series (Sizes 5/16" to 1")

FESTO

Accessories

## Flange Mounting FBN

Material:  
FBN: Galvanized steel  
Free of copper, PTFE and silicone



+ = plus stroke length

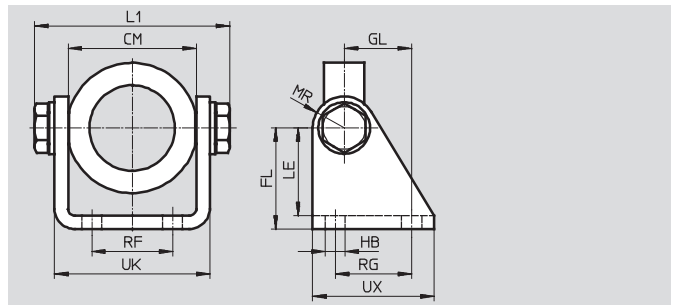
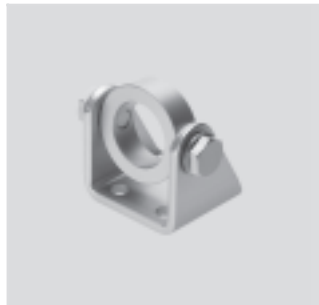
Dimensions							
∅	AB	AT	TF	UF	UR	W	ZF
[in]	∅						
5/16, 3/8	0.2	0.1	1.2	2.6	1.0	0.5	2.6
1/2	0.2	0.2	1.6	2.1	1.2	0.7	3.0
5/8	0.2	0.2	1.6	2.1	1.2	0.7	3.2
3/4	0.3	0.2	2.0	2.6	1.6	0.7	3.8
1	0.3	0.2	2.0	2.6	1.6	0.9	4.0

Ordering Data					
∅	Basic version				
[in]	CRC <sup>1)</sup>	Weight [g]	Part No.	Type	
5/16, 3/8	2	0.4	5129	FBN-8/10	
1/2, 5/8	2	0.9	5130	FBN-12/16	
3/4, 1	2	1.6	5131	FBN-20/25	

1) Corrosion resistance class 2 according to Festo standard 940 070  
Components with moderate corrosion resistance for use in normal industrial environments subjected to contact with coolants or lubricating agents.

## Swivel Mounting SBN

Material:  
Mounting ring: Wrought aluminum alloy, anodized  
Bearings: Bronze  
Screws: Galvanized steel  
Bracket: Steel



Dimensions and Ordering Data															
∅	CM	FL	GL	HB	L1	LE	MR	RF	RG	UK	UX	CRC <sup>1)</sup>	Weight	Part No.	Type
[in]					max.								[oz]		
3/4, 1	1.5	1.4	0.8	0.3	2.4	1.2	0.5	0.8	0.9	1.81	1.6	2	7.1	539927	SBN-20/25

1) Corrosion resistance class 2 according to Festo standard 940 070  
Components with moderate corrosion resistance for use in normal industrial environments subjected to contact with coolants or lubricating agents.

Dimensions are in inches, unless otherwise noted.



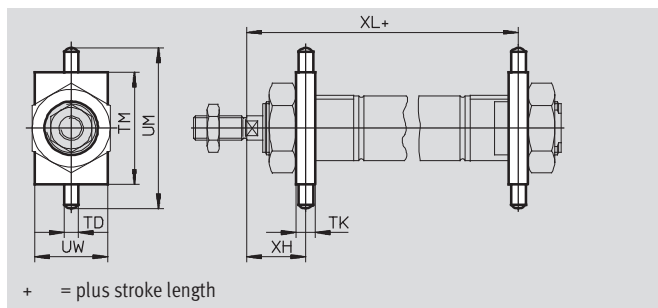
# Round Cylinders DSNU/ESNU – Inch Series (Sizes 5/16" to 1")



Accessories

## Swivel Mounting WBN

Material:  
Galvanized steel  
Free of copper, PTFE and silicone

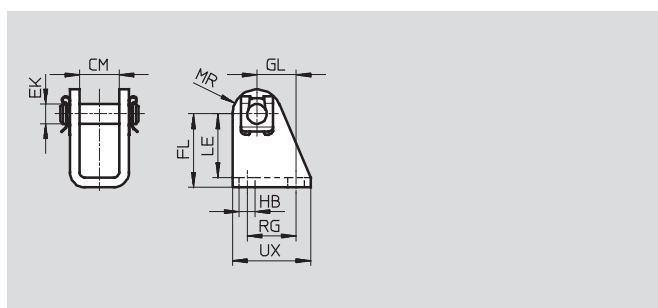


Dimensions and Ordering Data											
∅	TD	TK	TM	UM	UW	XH	XL	CRC <sup>1)</sup>	Weight	Part No.	Type
[in]	∅								[oz]		
5/16, 3/8	0.2	0.2	1.0	1.5	0.8	0.5	2.6	2	0.7	<b>8608</b>	<b>WBN-8/10</b>
1/2	0.2	0.3	1.5	2.3	1.0	0.7	3.0	2	1.8	<b>8609</b>	<b>WBN-12/16</b>
5/8	0.2	0.3	1.5	2.3	1.0	0.7	3.2	2	1.8	<b>8609</b>	<b>WBN-12/16</b>
3/4	0.2	0.3	1.8	2.6	1.2	0.8	3.8	2	2.5	<b>8610</b>	<b>WBN-20/25</b>
1	0.2	0.3	1.8	2.6	1.2	0.9	4.0	2	2.5	<b>8610</b>	<b>WBN-20/25</b>

1) Corrosion resistance class 2 according to Festo standard 940 070  
Components with moderate corrosion resistance for use in normal industrial environments subjected to contact with coolants or lubricating agents.

## Clevis Foot LBN

Material:  
LBN: Galvanized steel  
Free of copper, PTFE and silicone



Dimensions									
For ∅	CM	EK	FL	GL	HB	LE	MR	RG	UX
[in]		∅							
5/16, 3/8	0.32	0.2	0.9	0.54	0.17	0.85	0.2	0.49	0.8
1/2, 5/8	0.48	0.2	1.1	0.5	0.22	0.9	0.3	0.6	1.0
3/4, 1	0.63	0.3	1.2	0.6	0.26	1.0	0.4	0.8	1.3

Ordering Data				
∅	Basic version		Part No.	Type
[in]	CRC <sup>1)</sup>	Weight [oz]		
5/16, 3/8	2	0.8	<b>6057</b>	<b>LBN-8/10</b>
1/2, 5/8	2	1.4	<b>6058</b>	<b>LBN-12/16</b>
3/4, 1	2	2.9	<b>6059</b>	<b>LBN-20/25</b>


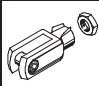
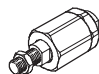
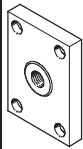
1) Corrosion resistance class 2 according to Festo standard 940 070  
Components with moderate corrosion resistance for use in normal industrial environments subjected to contact with coolants or lubricating agents.

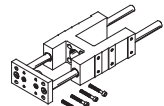
Dimensions are in inches, unless otherwise noted.

# Round Cylinders DSNU/ESNU – Inch Series (Sizes 5/16" to 1")



Accessories



Ordering Data – Piston Rod Attachments				Ordering Data – Piston Rod Attachments			
Designation	For Ø [in]	Part No.	Type	Designation	For Ø [in]	Part No.	Type
<b>Rod eye SGS</b>				<b>Rod clevis SG</b>			
	5/16	532693	SGS-6-32		5/16	11127	SG-6-32
	3/8				3/8		
	1/2	532694	SGS-10-32		1/2	546552	SG-10-32-B
	5/8				5/8		
	3/4	532695	SGS-5/16-24		3/4	546574	SG-5/16"-24-B
1	1			546540	SG-3/8"-24-B		
<b>Self-aligning rod coupler FK</b>				<b>Coupling piece KSZ</b>			
	5/16	532702	FK-6-32		5/16, 3/8	-	
	3/8				1/2, 5/8		
	1/2	532703	FK-10-32		3/4		
	5/8				1	36129	KSZ-3/8-24-UNF
	3/4	532704	FK-5/16-24				
1	532705			FK-3/8-24			



Ordering Data – Guide Units						
	For Ø [in]	Stroke [in]	With recirculating ball bearing guide		With plain bearing guide	
			Part No.	Type	Part No.	Type
	5/16, 3/8	up to 8	151730	FEN-5/16"-3/8"-...-KF	151720	FEN-5/16"-3/8"-...
	1/2, 5/8	up to 8	151731	FEN-1/2"-5/8"-...-KF	151721	FEN-1/2"-5/8"-...
	3/4	up to 10	151732	FEN-3/4"-...-KF	151722	FEN-3/4"-...
	1	up to 10	151733	FEN-1"-...-KF	151723	FEN-1"-...

# Round Cylinders DSNU/ESNU – Inch Series (Sizes 5/16” to 1”)



Accessories

Ordering Data – One-way Flow Control Valves				
	Connection		Part No.	Type
	Thread	For tubing O.D.		
For exhaust air				
	10/32 UNF	5/32"	165008	GRLA-10-32-UNF-QS-5/32-U
		1/4"	192753	GRLA-10-32-UNF-QS-1/4-U
	1/8" NPT	5/32"	165009	GRLA-1/8-NPT-QS-5/32-U
		1/4"	165010	GRLA-1/8-NPT-QS-1/4-U
		3/16"	190941	GRLA-1/8-NPT-QS-3/16-U
		5/16"	165013	GRLA-1/8-NPT-QS-5/16-U
For supply air				
	10/32 UNF	–	151576	GRLZ-10-UNF-B
		–	151579	GRLZ-10-UNF-RS-B
		3/16"	151577	GRLZ-10-UNF-3/16-B
		1/4"	151578	GRLZ-10-UNF-1/4-B
	1/8" NPT	–	151561	GRLZ-1/8-NPT-B
		–	151564	GRLZ-1/8-NPT-RS-B
		1/4"	151562	GRLZ-1/8-NPT-1/4-B
		3/8"	151563	GRLZ-1/8-NPT-3/8-B

Ordering Data – Push-in Fittings QS				Technical Data → <a href="http://www.festo.com/catalog/QS">www.festo.com/catalog/QS</a>	
	For tubing O.D. [in]	10/32 UNF		R1/8	Part No. Type
		Part No.	Type		
With external hex					
	3/16	164851	QS-10-32-UNF-3/16-U	–	
	1/4	164850	QS-10-32-UNF-1/4-U	183741	QS-1/8-1/4-I-U-M
	5/16	–		183742	QS-1/8-5/16-I-U-M
With internal hex					
	1/8	–		533213	QS-H-1/8-1/8-U-M
	5/32	–		533214	QS-H-1/8-5/32-U-M
	3/16	–		533215	QS-H-1/8-3/16-U-M
	1/4	190687	QS-10-32-UNF-1/4-I-U	533216	QS-H-1/8-1/4-U-M
	5/16	–		533217	QS-H-1/8-5/16-U-M

# Round Cylinders DSNU/ESNU – Inch Series (Sizes 5/16” to 1”)

Accessories



Ordering data – Proximity Switches for T-slot, Magneto-resistive						Technical data → <a href="http://www.festo.com/catalog/sm">www.festo.com/catalog/sm</a>		
	Mounting	Switch output	Electrical connection		Cable length [ft]	Connection direction	Part No.	Type
			Cable	M8 plug				
NO contact								
	Via mounting kit	PNP	3-wire	–	8.2	In-line	152836	SMT0-4U-PS-K-LED-24
			–	3-pin	–	In-line	152742	SMT0-4U-PS-S-LED-24
		NPN	3-wire	–	8.2	In-line	152837	SMT0-4U-NS-K-LED-24
			–	3-pin	–	In-line	152743	SMT0-4U-NS-S-LED-24

Ordering data – Proximity Switches for T-slot, Magnetic Reed						Technical data → <a href="http://www.festo.com/catalog/sm">www.festo.com/catalog/sm</a>		
	Mounting	Electrical connection		Cable length [ft]	Connection direction	Part No.	Type	
		Cable	M8 plug					
NO contact								
	Via mounting kit	3-wire	–	8.2	In-line	36198	SME0-4U-K-LED-24	
			–	16.4	In-line	175401	SME0-4U-K5-LED-24	
		–	3-pin	–	In-line	151526	SME0-4U-S-LED-24-B	

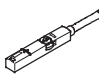
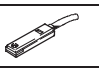
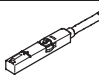
Ordering data – Proximity Switches for T-slot, Magnetic Reed, Corrosion Resistant						Technical data → <a href="http://www.festo.com/catalog/sm">www.festo.com/catalog/sm</a>		
	Mounting	Electrical connection		Cable length [ft]	Connection direction	Part No.	Type	
		Cable	M8 plug					
NO contact								
	Via mounting kit	3-wire	–	8.2	In-line	161775	CRSMEO-4-K-LED-24	

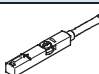
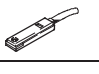
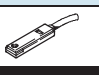
Ordering Data – Mounting Kit for Proximity Sensors SME0/SMT0/CRSMEO			
Designation	For Ø [in]	Part No.	Type
Mounting kit SMBR			
	5/16	19272	SMBR-8
	3/8	19273	SMBR-10
	1/2	19274	SMBR-12
	5/8	19275	SMBR-16
	3/4	19276	SMBR-20
	1	19277	SMBR-25


# Round Cylinders DSNU/ESNU – Inch Series (Sizes 5/16” to 1”)

FESTO

Accessories

Ordering data – Proximity switches for T-slot, magneto-resistive					Technical data → <a href="http://www.festo.com/catalog/sm">www.festo.com/catalog/sm</a>	
	Type of mounting	Switch output	Electrical connection	Cable length [m]	Part No.	Type
<b>N/O contact</b>						
	Insertable in the slot from above, flush with cylinder profile	PNP	Cable, 3-wire	2.5	543867	SMT-8M-PS-24V-K-2,5-OE
			Plug M8x1, 3-pin	0.3	543866	SMT-8M-PS-24V-K-0,3-M8D
			Plug M12x1, 3-pin	0.3	543869	SMT-8M-PS-24V-K-0,3-M12
	Insertable in the slot lengthwise, flush with the cylinder profile	PNP	Cable, 3-wire	2.5	543870	SMT-8M-NS-24V-K-2,5-OE
			Plug M8x1, 3-pin	0.3	543871	SMT-8M-NS-24V-K-0,3-M8D
<b>N/C contact</b>						
	Insertable in the slot from above, flush with cylinder profile	PNP	Cable, 3-wire	7.5	543873	SMT-8M-PO-24V-K7,5-OE

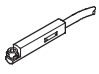
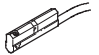
Ordering data – Proximity switches for T-slot, magnetic reed					Technical data → <a href="http://www.festo.com/catalog/sm">www.festo.com/catalog/sm</a>	
	Type of mounting	Switch output	Electrical connection	Cable length [m]	Part No.	Type
<b>N/O contact</b>						
	Insertable in the slot from above, flush with cylinder profile	Contacting	Cable, 3-wire	2.5	543862	SME-8M-DS-24V-K-2,5-OE
				5.0	543863	SME-8M-DS-24V-K-5,0-OE
			Plug M8x1, 3-pin	0.3	543872	SME-8M-ZS-24V-K-2,5-OE
	Insertable in the slot lengthwise, flush with the cylinder profile	Contacting	Cable, 3-wire	2.5	150855	SME-8-K-LED-24
			Plug M8x1, 3-pin	0.3	150857	SME-8-S-LED-24
<b>N/C contact</b>						
	Insertable in the slot lengthwise, flush with the cylinder profile	Contacting	Cable, 3-wire	7.5	160251	SME-8-O-K-LED-24

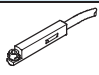
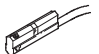
Ordering Data – Mounting Kit for Proximity Sensors SME/SMT-8			
Designation	For Ø [in]	Part No.	Type
<b>Mounting kit SMBR-8</b>			
	5/16	175091	SMBR-8-8
	3/8	175092	SMBR-8-10
	1/2	175093	SMBR-8-12
	5/8	175094	SMBR-8-16
	3/4	175095	SMBR-8-20
	1	175096	SMBR-8-25

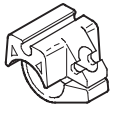
# Round Cylinders DSNU/ESNU – Inch Series (Sizes 5/16” to 1”)



FESTO

Accessories

Ordering data – Proximity switches for C-slot, magneto-resistive					Technical data → <a href="http://www.festo.com/catalog/sm">www.festo.com/catalog/sm</a>	
	Type of mounting	Switch output	Electrical connection, connection direction	Cable length [m]	Part No.	Type
N/O contact						
	Insertable in the slot from above, flush with cylinder profile	PNP	Cable, 3-wire, in-line	2.5	525915	SMT-10F-PS-24V-K2,5L-OE
			Plug M8x1, 3-pin, in-line	0.3	525916	SMT-10F-PS-24V-K0,3L-M8D
			Plug M8x1, 3-pin, lateral	0.3	526675	SMT-10F-PS-24V-K0,3Q-M8D
	Insertable in the slot lengthwise	PNP	Plug M8x1, 3-pin, in-line	0.3	173220	SMT-10-PS-SL-LED-24
			Cable, 3-wire, in-line	2.5	173218	SMT-10-PS-KL-LED-24

Ordering data – Proximity switches for C-slot, magnetic reed					Technical data → <a href="http://www.festo.com/catalog/sm">www.festo.com/catalog/sm</a>	
	Type of mounting	Switch output	Electrical connection, connection direction	Cable length [m]	Part No.	Type
N/O contact						
	Insertable in the slot from above, flush with cylinder profile	Contacting	Plug M8x1, 3-pin, in-line	0.3	525914	SME-10F-DS-24V-K0,3L-M8D
			Cable, 3-wire, in-line	2.5	525913	SME-10F-DS-24V-K2,5L-OE
			Cable, 2-wire, in-line	2.5	526672	SME-10F-ZS-24V-K2,5L-OE
	Insertable in the slot lengthwise	Contacting	Plug M8x1, 3-pin, in-line	0.3	173212	SME-10-SL-LED-24
			Cable, 3-wire, in-line	2.5	173210	SME-10-KL-LED-24

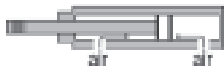
Ordering Data – Mounting Kit for Proximity Sensors SME/SMT-10			
Designation	For Ø [in]	Part No.	Type
Mounting kit SMBR-10			
	5/16	175101	SMBR-10-8
	3/8	173227	SMBR-10-10
	1/2	175102	SMBR-10-12
	5/8	173228	SMBR-10-16
	3/4	175103	SMBR-10-20
	1	175104	SMBR-10-25

Ordering data – Connecting cables				Technical data → <a href="http://www.festo.com/catalog/nebu">www.festo.com/catalog/nebu</a>	
	Electrical connection, left	Electrical connection, right	Cable length [m]	Part No.	Type
	Straight socket, M8x1, 3-pin	Cable, open end, 3-wire	2.5	541333	NEBU-M8G3-K-2.5-LE3
			5.0	541334	NEBU-M8G3-K-5-LE3
	Straight socket, M12x1, 5-pin	Cable, open end, 3-wire	2.5	541363	NEBU-M12G5-K-2.5-LE3
			5.0	541364	NEBU-M12G5-K-5-LE3
	Angled socket, M8x1, 3-pin	Cable, open end, 3-wire	2.5	541338	NEBU-M8W3-K-2.5-LE3
			5.0	541341	NEBU-M8W3-K-5-LE3
	Angled socket, M12x1, 5-pin	Cable, open end, 3-wire	2.5	541367	NEBU-M12W5-K-2.5-LE3
			5.0	541370	NEBU-M12W5-K-5-LE3

# Round cylinders DSNU – Inch Series (Sizes 1-1/4” to 2-1/2”)

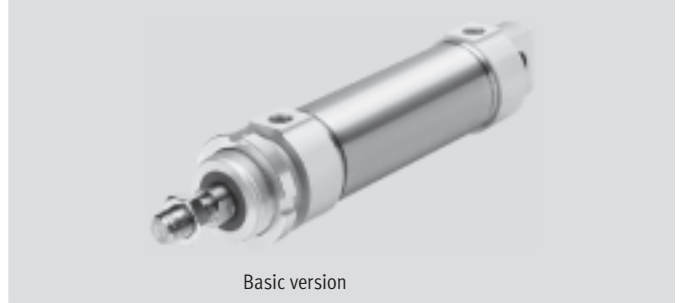
Technical Data

Double-acting



Variants:

- Through piston rod (S2)



⌀ - Diameter  
1-1/4 ... 2-1/2 inch

— - Stroke length  
1/8 ... 20 inch

General Technical Data				
Piston Ø [in]	1-1/4	1-5/8	2	2-1/2
Pneumatic connection	1/8" NPT	1/4" NPT	1/4" NPT	3/8" NPT
Piston rod thread	3/8-24	1/2-20	5/8-18	5/8-18
Constructional design	Piston			
	Piston rod			
	Cylinder barrel			
Cushioning	Flexible cushioning rings at both ends (P)			
	Adjustable air cushioning at both ends (PPV)			
Cushioning length (PPV) [in]	0.75	0.87	1.06	1.06
Magnet for position sensing <sup>1)</sup>	Optional			

1) Position sensing via magnetic proximity sensor (ordered separately, see accessories).

Operating Pressure [psi]				
Piston Ø [in]	1-1/4	1-5/8	2	2-1/2
Operating medium	Filtered compressed air, lubricated or unlubricated			
Operating pressure	14.7 ... 150			

Ambient Conditions		
Ambient temperature <sup>1)</sup> [°F]	-4 ... +176	
Corrosion resistance class CRC <sup>2)</sup>	2	

1) Note operating range of proximity sensors

2) Corrosion resistance class 2 according to Festo standard 940 070

Components with moderate corrosion resistance for use in normal industrial environments subjected to contact with coolants or lubricating agents.

Corrosion resistance class 3 according to Festo standard 940 070

Components requiring higher corrosion resistance for use in industrial environments subjected to contact with solvents and cleaning agents.

# Round cylinders DSNU – Inch Series (Sizes 1-1/4" to 2-1/2")



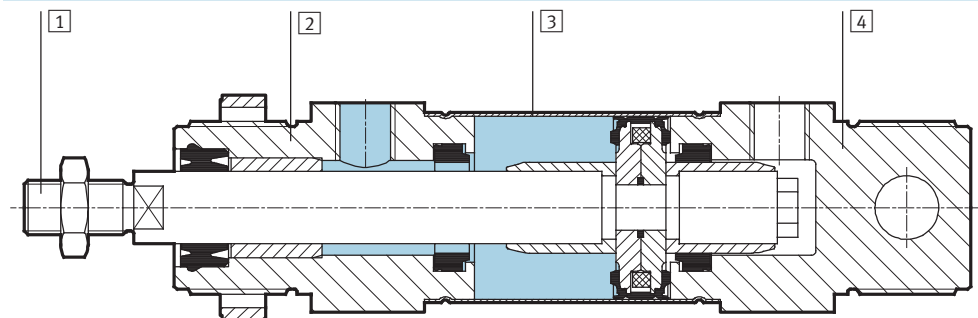
Technical Data

Forces [lbf] and Impact Energy [ft-lbf]				
Piston Ø [in]	1-1/4	1-5/8	2	2-1/2
Theoretical force at 90 psi, extending	108	169	265	421
Theoretical force at 90 psi, retracting	93	142	223	378
Max. impact energy at the end positions	0.3	0.52	0,74	0,96

Weights [oz]				
Piston Ø [in]	1-1/4	1-5/8	2	2-1/2
Product weight with 0 inch stroke	13.1	23.3	38.3	51.0
Additional weight per 1 inch stroke	1.4	2.2	3.6	3.9

## Materials

Sectional view



DSNU		
1	Piston rod	High-alloy steel
2	Bearing cap	Wrought aluminum alloy
3	Cylinder barrel	High-alloy stainless steel
4	End cap	Wrought aluminum alloy
-	Seals	Polyurethane, nitrile rubber
-	Guide tape	-

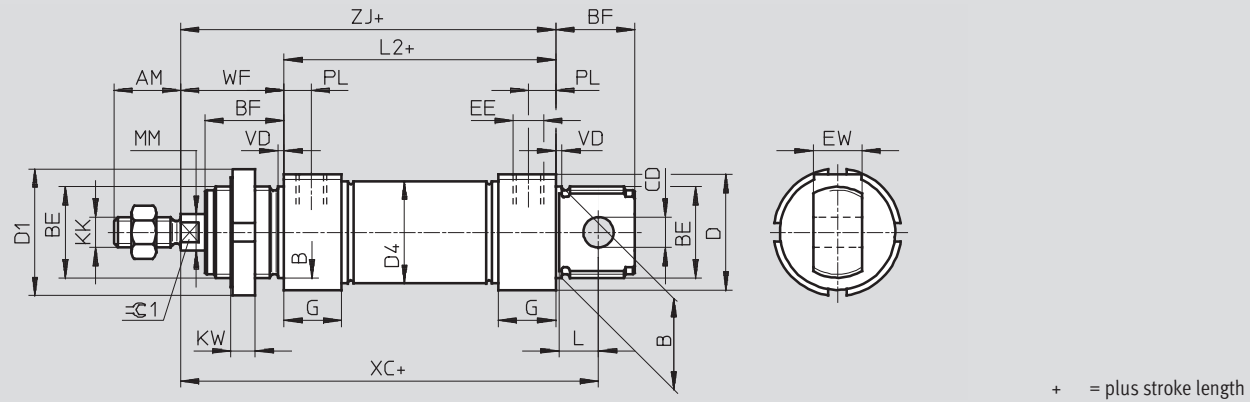


# Round cylinders DSNU – Inch Series (Sizes 1-1/4" to 2-1/2")

Technical Data

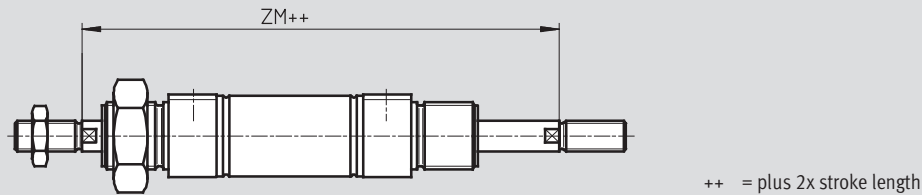


## Dimensions – Basic Version



## Dimensions – Variant

S2 – Through piston rod



∅ [in]	AM	B ∅	BE	BF	CD ∅	D ∅	D1 ∅	D4 ∅	EE	EW	G
1-1/4	0.9	1.2	M30x1.5	1.0	0.4	1.5	1.7	1.3	1/8" NPT	0.6	0.7
1-5/8	0.9	1.5	M38x1.5	1.2	0.5	1.8	2.0	1.6	1/4" NPT	0.7	1.0
2	1.3	1.8	M45x1.5	1.3	0.6	2.2	2.4	2.1		3/8" NPT	
2-1/2						2.8		2.6			

∅ [in]	KK	KW	L	L2	MM ∅	PL	VD	WF	XC	ZJ	ZM	≈∅1 [mm]
1-1/4	3/8-24	0.3	0.5	2.7	0.5	0.4	0.1	1.3	4.6	4.1	5.4	10
1-5/8	1/2-20		0.6	3.3	0.6			0.5	0.1	1.5	5.5	4.9
2	5/8-18	0.4	0.6	3.4	0.8	0.5	1.7			5.8	5.1	6.9
2-1/2				3.7				1.8	6.1	5.5		

Dimensions are in inches, unless otherwise noted.

# Round cylinders DSNU – Inch Series (Sizes 1-1/4” to 2-1/2”)



Ordering Data

M Mandatory Data				O Options	
Function	Piston Ø	Stroke	Cushioning	Magnet for position sensing	Type of piston rod
DSNU	1 1/4 1 5/8 2 2 1/2	0.125 ... 20	P PPV	A	S2
<b>DSNU</b>	<b>1 5/8</b>	<b>16</b>	<b>PPV</b>	<b>A</b>	

Ordering Table							
Size	1-1/4	1-5/8	2	2-1/2	Conditions	Code	Enter code
<b>M</b> Function	Double-acting round cylinder					<b>DSNU</b>	DSNU
Piston Ø [in]	1-1/4	1-5/8	2	2-1/2		-...	
Stroke [in]	1/8 ... 20					-...	
Cushioning	Flexible cushioning rings at both ends					-P	
	Adjustable air cushioning at both ends					-PPV	
<b>O</b> Magnet for position sensing	For use with magnetic proximity sensor				<b>1</b>	-A	
Type of piston rod	Through piston rod					-S2	

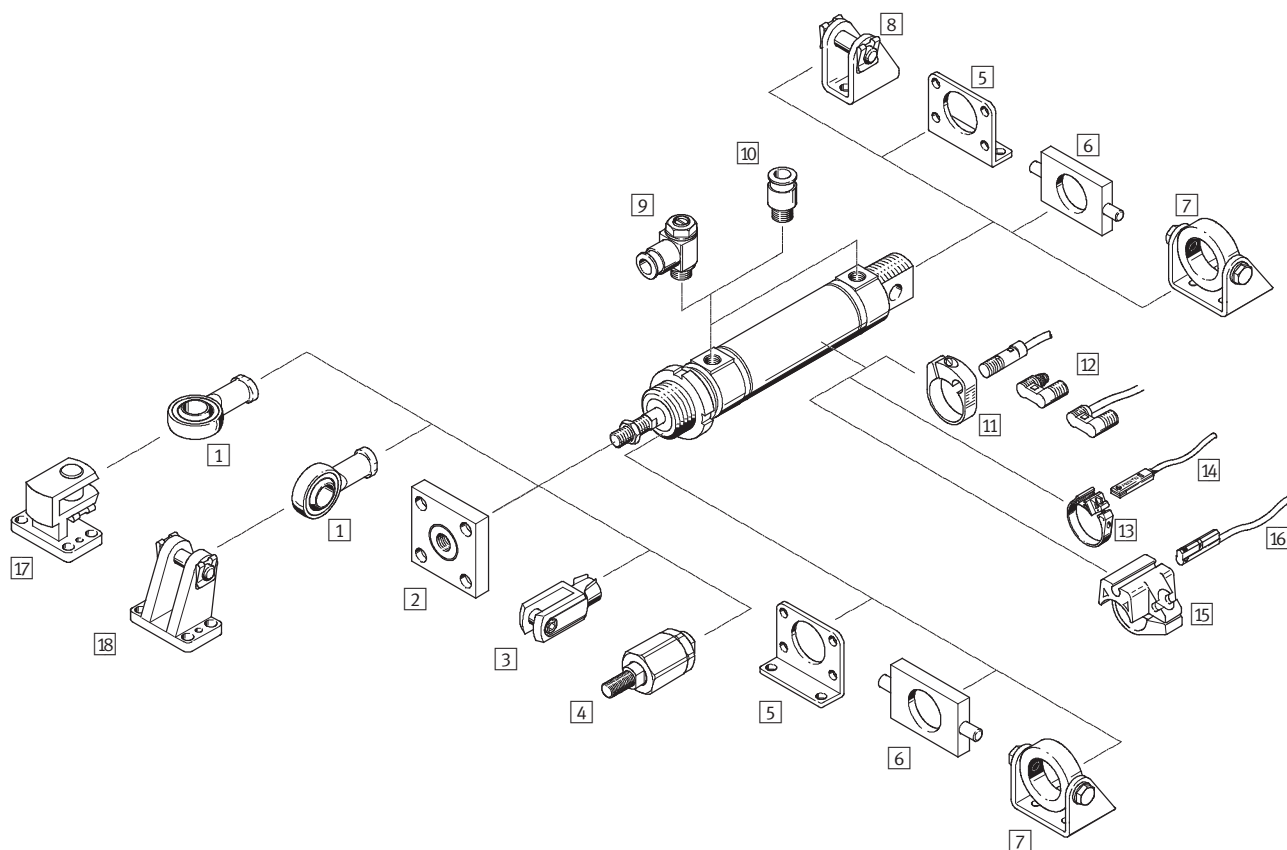
**1** Reliable position sensing requires a minimum stroke length of 0.4 inch.

Transfer order code

-  -  -  -  -

# Round cylinders DSNU/ESNU – Inch Series (Sizes 1-1/4" to 2-1/2")

Accessories Overview



Mounting Attachments and Accessories		→ Page
1	Rod eye SGS/CRSGS	22
2	Coupling piece KSG/KSZ	22
3	Rod clevis SG/CRSG	22
4	Self-aligning rod coupler FK	22
5	Flange mounting FBN/CRFV	20
6	Swivel mounting WBN	21
7	Swivel mounting SBN	21
8	Clevis foot LBN/CRLBN	22
9	One-way flow control valve GRLA/GRLZ/CRGRLA	23
10	Push-in fitting QS	23
11	Sensor mounting kit CRSMBR	24
12	Proximity sensor SMEO/SMTO/CRSMEO-4	24
13	Sensor mounting kit SMBR-8	25
14	Proximity sensor SME/SMT-8	25
15	Sensor mounting kit SMBR-10	26
16	Proximity sensor SME/SMT-10	26
17	Clevis foot, lateral LQG	21
18	Clevis foot LBG	21

# Round cylinders DSNU/ESNU – Inch Series (Sizes 1-1/4" to 2-1/2")



Accessories

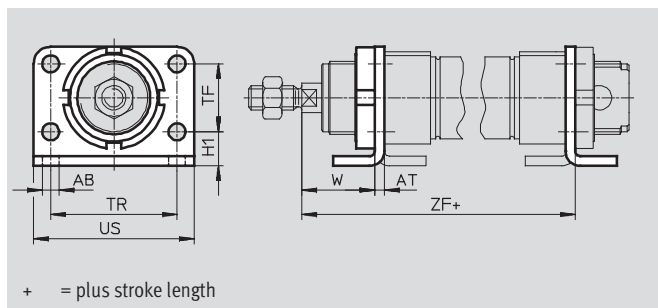
## Flange Mounting FBN/CRFV

Material:

FBN: Galvanized steel

CRFV: High-alloy stainless steel

Free of copper, PTFE and silicone



Dimensions								
∅	AB	AT	H1	TF	TR	US	W	ZF
[in]	∅							
1-1/4	0.3	0.2	0.6	1.1	2.0	2.6	1.2	4.2
1-5/8	0.4	0.2	0.7	1.2	2.4	3.1	1.1	4.9
2	0.4	0.2	0.8	1.6	2.8	3.5	1.5	5.4
2-1/2	0.4	0.2	0.8	2.0	3.0	3.8	1.5	5.7

Ordering Data								
∅	Basic version				High corrosion protection			
	[in]	CRC <sup>1)</sup>	Weight [oz]	Part No. Type	CRC <sup>1)</sup>	Weight [oz]	Part No. Type	
1-1/4	2	3.6	<b>195855</b>	<b>FBN-32</b>	4	3.6	<b>161858</b>	<b>CRFV-32</b>
1-5/8	2	6.7	<b>195856</b>	<b>FBN-40</b>	4	6.7	<b>161859</b>	<b>CRFV-40</b>
2	2	10.2	<b>195857</b>	<b>FBN-50</b>	4	10.2	<b>161860</b>	<b>CRFV-50</b>
2-1/2	2	12.9	<b>195858</b>	<b>FBN-63</b>	4	12.9	<b>161861</b>	<b>CRFV-63</b>

1) Corrosion resistance class 2 according to Festo standard 940 070  
 Components with moderate corrosion resistance for use in normal industrial environments subjected to contact with coolants or lubricating agents.  
 Corrosion resistance class 4 according to Festo standard 940 070  
 Components requiring higher corrosion resistance. Parts subjected to aggressive media, e.g. food or chemical industry. These applications should be supported with special tests with the media if required.

Dimensions are in inches, unless otherwise noted.

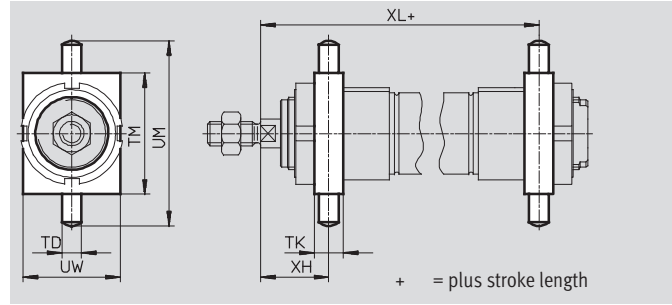
# Round cylinders DSNU/ESNU – Inch Series (Sizes 1-1/4" to 2-1/2")



Accessories

## Swivel Mounting WBN

Material:  
Galvanized steel  
Free of copper, PTFE and silicone

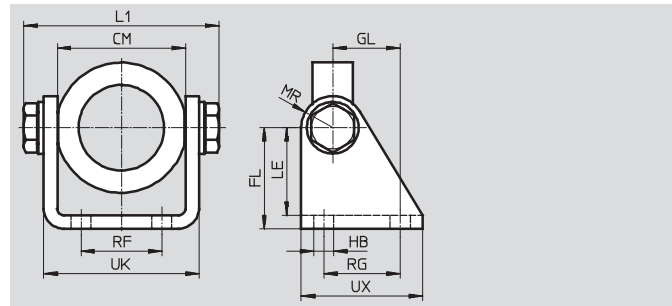
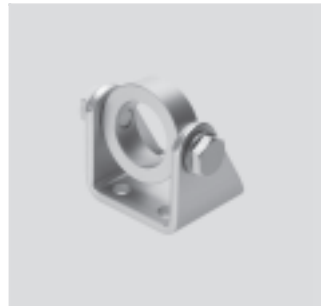


Dimensions and Ordering Data												
∅	TD	TK	TM	UM	UW	XH	XL	CRC <sup>1)</sup>	Weight	Part No.	Type	
[in]	∅								[oz]			
1-1/4	0.3	0.5	2.0	3.0	1.6	1.1	4.3	2	4.6	195863	WBN-32	
1-5/8	0.4	0.6	2.4	3.6	2.0	1.2	5.0	2	8.5	195864	WBN-40	
2	0.5	0.8	3.1	4.6	2.6	1.3	5.5	2	21.5	195865	WBN-50/63	
2-1/2	0.5	0.8	3.1	4.6	2.6	1.4	5.9	2	21.5	195865	WBN-50/63	

1) Corrosion resistance class 2 according to Festo standard 940 070  
Components with moderate corrosion resistance for use in normal industrial environments subjected to contact with coolants or lubricating agents.

## Swivel Mounting SBN

Material:  
Mounting ring: Wrought aluminum alloy, anodized  
Bearings: Bronze  
Screws: Galvanized steel  
Bracket: Steel



Dimensions and Ordering Data															
∅	CM	FL	GL	HB	L1	LE	MR	RF	RG	UK	UX	CRC <sup>1)</sup>	Weight	Part No.	Type
[in]					max.								[oz]		
1-1/4	1.8	1.6	1.1	0.4	2.8	1.4	0.5	1.1	1.2	2.2	2.0	2	10.4	539924	SBN-32
1-5/8	2.2	1.8	1.2	0.4	3.5	1.5	0.6	1.4	1.3	2.7	2.1	2	16.4	539925	SBN-40
2, 2-1/2	2.8	2.0	1.3	0.4	4.0	1.7	0.6	1.7	1.4	3.2	2.6	2	23.6	539926	SBN-50/63

1) Corrosion resistance class 2 according to Festo standard 940 070  
Components with moderate corrosion resistance for use in normal industrial environments subjected to contact with coolants or lubricating agents..

Ordering Data – Mounting Attachments												
Designation	For ∅ [in]	Part No.	Type	Designation	For ∅ [in]	Part No.	Type					
Clevis Foot mounting LBG				Clevis Foot, right-angled LQG								
	1-1/4	31761	LBG-32		1-1/4	31768	LQG-32					
	1-5/8	31762	LBG-40		1-5/8	31769	LQG-40					
	2	31763	LBG-50		2	31770	LQG-50					
	2-1/2	31764	LBG-63		2-1/2	31771	LQG-63					

Dimensions are in inches, unless otherwise noted.

# Round cylinders DSNU/ESNU – Inch Series (Sizes 1-1/4" to 2-1/2")



Accessories

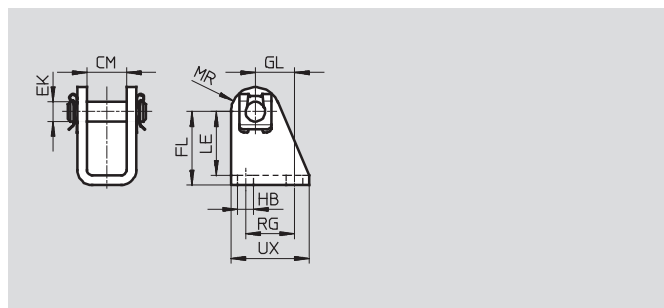
## Clevis Foot LBN/CRLBN

Material:

LBN: Galvanized steel

CRLBN: High-alloy stainless steel

Free of copper, PTFE and silicone



Dimensions									
For Ø	CM	EK	FL	GL	HB	LE	MR	RG	UX
[in]		Ø							
1-1/4	0.6	0.4	1.4	0.7	0.3	1.2	0.4	0.9	1.4
1-5/8	0.7	0.5	1.6	1.0	0.4	1.4	0.5	1.2	1.8
2, 2-1/2	0.8	0.6	1.8	1.1	0.4	1.5	0.6	1.3	2.0

Ordering Data									
Ø [in]	Basic version				High corrosion protection				
	CRC <sup>1)</sup>	Weight [oz]	Part No.	Type	CRC <sup>1)</sup>	Weight [g]	Part No.	Type	
1-1/4	2	3.8	195860	LBN-32	4	3.8	195866	CRLBN-32	
1-5/8	2	6.8	195861	LBN-40	4	6.5	195867	CRLBN-40	
2, 2-1/2	2	10.7	195862	LBN-50/63	4	10.2	195868	CRLBN-50/63	

1) Corrosion resistance class 2 according to Festo standard 940 070

Components with moderate corrosion resistance for use in normal industrial environments subjected to contact with coolants or lubricating agents.

Corrosion resistance class 4 according to Festo standard 940 070

Components requiring higher corrosion resistance. Parts subjected to aggressive media, e.g. food or chemical industry. These applications should be supported with special tests with the media if required.



Ordering Data – Piston Rod Attachments									
Designation	For Ø [in]	Part No.	Type	Designation	For Ø [in]	Part No.	Type	Designation	For Ø [in]
Rod Eye SGS				Self-aligning rod coupler FK					
	1-1/4	532696	SGS-3/8-24		1-1/4	532705	FK-3/8-24		1-1/4
	1-5/8	532697	SGS-1/2-20		1-5/8	532706	FK-1/2-20		1-5/8
	2	532698	SGS-5/8-18		2	532707	FK-5/8-18		2
	2-1/2				2-1/2				2-1/2
Rod clevis SG				Coupling piece KSZ					
	1-1/4	13000030	SG-3/8"-24-B		1-1/4	36129	KSZ-3/8-24-UNF		1-1/4
	1-5/8	13000469	SG-1/2-20-B		1-5/8	36130	KSZ-1/2-20-UNF		1-5/8
	2	13000712	SG5/8-18		2	36131	KSZ-5/8-18-UNF		2
	2-1/2				2-1/2				2-1/2



Dimensions are in inches, unless otherwise noted.

# Round cylinders DSNU/ESNU – Inch Series (Sizes 1-1/4" to 2-1/2")



Accessories


Ordering Data – One-way Flow Control Valves				Technical Data → <a href="http://www.festo.com/catalog/GRLA">www.festo.com/catalog/GRLA</a>		
Connection	For tubing O.D.		Part No.	Type		
	Thread					
For exhaust air						
	1/8" NPT	5/32"	165009	GRLA-1/8-NPT-QS-5/32-U		
		3/16"	190941	GRLA-1/8-NPT-QS-3/16-U		
		1/4"	165010	GRLA-1/8-NPT-QS-1/4-U		
		5/16"	165013	GRLA-1/8-NPT-QS-5/16-U		
	1/4" NPT	3/16"	190944	GRLA-1/4-NPT-QS-3/16-U		
		1/4"	165011	GRLA-1/4-NPT-QS-1/4-U		
		5/16"	165014	GRLA-1/4-NPT-QS-5/16-U		
		3/8"	190947	GRLA-1/4-NPT-QS-3/8-U		
	3/8" NPT	1/4"	165012	GRLA-3/8-NPT-QS-1/4-U		
		5/16"	165015	GRLA-3/8-NPT-QS-5/16-U		
		3/8"	190950	GRLA-3/8-NPT-QS-3/8-U		
		1/2"	190951	GRLA-3/8-NPT-QS-1/2-U		
	1/2" NPT	3/8"	190952	GRLA-1/2-NPT-QS-3/8-U		
		1/2"	190953	GRLA-1/2-NPT-QS-1/2-U		
	For supply air				Technical Data → <a href="http://www.festo.com/catalog/GRLZ">www.festo.com/catalog/GRLZ</a>	
		1/8" NPT	–	151561	GRLZ-1/8-NPT-B	
–			151564	GRLZ-1/8-NPT-RS-B		
1/4"			151562	GRLZ-1/8-NPT-1/4-B		


Ordering Data – Push-in Fittings QS				Technical Data → <a href="http://www.festo.com/catalog/QS">www.festo.com/catalog/QS</a>					
For tubing O.D. [in]	R <sup>3</sup> / <sub>8</sub>		R <sup>1</sup> / <sub>4</sub>		R <sup>3</sup> / <sub>8</sub>		R <sup>1</sup> / <sub>2</sub>		
	Part No.	Type	Part No.	Type	Part No.	Type	Part No.	Type	
With external hex									
	1/4	183741	QS-1/8-1/4-I-U-M	192809	QS-1/4-1/4-I-U-M	–	–	–	
	5/16	183742	QS-1/8-5/16-I-U-M	183743	QS-1/4-5/16-I-U-M	183745	QS-3/8-5/16-I-U-M	–	
	3/8	–	–	183744	QS-1/4-3/8-I-U-M	183746	QS-3/8-3/8-I-U-M	183747	QS-1/2-3/8-I-U-M
	1/2	–	–	–	–	–	–	183748	QS-1/2-1/2-I-U-M
With internal hex									
	1/8	533213	QS-H-1/8-1/8-U-M	–	–	–	–	–	
	5/32	533214	QS-H-1/8-5/32-U-M	–	–	–	–	–	
	3/16	533215	QS-H-1/8-3/16-U-M	533218	QS-H-1/4-3/16-U-M	–	–	–	
	1/4	533216	QS-H-1/8-1/4-U-M	533219	QS-H-1/4-1/4-U-M	533222	QS-H-3/8-1/4-U-M	–	
	5/16	533217	QS-H-1/8-5/16-U-M	533220	QS-H-1/4-5/16-U-M	533223	QS-H-3/8-5/16-U-M	–	
	3/8	–	–	533221	QS-H-1/4-3/8-U-M	533224	QS-H-3/8-3/8-U-M	533226	QS-H-1/2-3/8-U-M
	1/2	–	–	–	–	533225	QS-H-3/8-1/2-U-M	533227	QS-H-1/2-1/2-U-M


# Round cylinders DSNU/ESNU – Inch Series (Sizes 1-1/4" to 2-1/2")


Accessories

**FESTO**

Ordering data – Proximity Switches for T-slot, Magneto-resistive							Technical data → <a href="http://www.festo.com/catalog/sm">www.festo.com/catalog/sm</a>	
	Mounting	Switch output	Electrical connection		Cable length [ft]	Connection direction	Part No.	Type
			Cable	M8 plug				
NO contact								
	Via mounting kit	PNP	3-wire	–	8.2	In-line	152836	SMT0-4U-PS-K-LED-24
			–	3-pin	–	In-line	152742	SMT0-4U-PS-S-LED-24
		NPN	3-wire	–	8.2	In-line	152837	SMT0-4U-NS-K-LED-24
			–	3-pin	–	In-line	152743	SMT0-4U-NS-S-LED-24

Ordering data – Proximity Switches for T-slot, Magnetic Reed							Technical data → <a href="http://www.festo.com/catalog/sm">www.festo.com/catalog/sm</a>	
	Mounting	Electrical connection		Cable length [ft]	Connection direction	Part No.	Type	
		Cable	M8 plug					
NO contact								
	Via mounting kit	3-wire	–	8.2	In-line	36198	SME0-4U-K-LED-24	
			–	16.4	In-line	175401	SME0-4U-K5-LED-24	
		–	3-pin	–	In-line	151526	SME0-4U-S-LED-24-B	

Ordering data – Proximity Switches for T-slot, Magnetic Reed, Corrosion Resistant							Technical data → <a href="http://www.festo.com/catalog/sm">www.festo.com/catalog/sm</a>	
	Mounting	Electrical connection		Cable length [ft]	Connection direction	Part No.	Type	
		Cable	M8 plug					
NO contact								
	Via mounting kit	3-wire	–	8.2	In-line	161775	CRSMEO-4-K-LED-24	

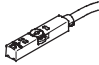
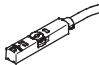
Ordering Data – Mounting Kit for Proximity Sensors SME0/SMT0/CRSMEO				Part No.	Type
Designation	For Ø [in]				
Mounting kit CRSMBR, corrosion resistant					
	1-1/4			163888	CRSMBR-32
	1-5/8			163889	CRSMBR-40
	2			163890	CRSMBR-50
	2-1/2			163891	CRSMBR-63

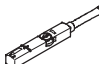





# Round cylinders DSNU/ESNU – Inch Series (Sizes 1-1/4" to 2-1/2")



FESTO

Accessories

Ordering data – Proximity switches for T-slot, magneto-resistive					Technical data → <a href="http://www.festo.com/catalog/sm">www.festo.com/catalog/sm</a>	
	Type of mounting	Switch output	Electrical connection	Cable length [m]	Part No.	Type
N/O contact						
	Insertable in the slot from above, flush with cylinder profile, short design	PNP	Cable, 3-wire	2.5	574335	SMT-8M-A-PS-24V-E-2,5-OE
			Plug M8x1, 3-pin	0.3	574334	SMT-8M-A-PS-24V-E-0,3-M8D
			Plug M12x1, 3-pin	0.3	574337	SMT-8M-A-PS-24V-E-0,3-M12
		NPN	Cable, 3-wire	2.5	574338	SMT-8M-A-NS-24V-E-2,5-OE
Plug M8x1, 3-pin	0.3		574339	SMT-8M-A-NS-24V-E-0,3-M8D		
N/C contact						
	Insertable in the slot from above, flush with cylinder profile, short design	PNP	Cable, 3-wire	7.5	574340	SMT-8M-A-PO-24V-E-7,5-OE

Ordering data – Proximity switches for T-slot, magnetic reed					Technical data → <a href="http://www.festo.com/catalog/sm">www.festo.com/catalog/sm</a>	
	Type of mounting	Switch output	Electrical connection	Cable length [m]	Part No.	Type
N/O contact						
	Insertable in the slot from above, flush with cylinder profile	Contacting	Cable, 3-wire	2.5	543862	SME-8M-DS-24V-K-2,5-OE
				5.0	543863	SME-8M-DS-24V-K-5,0-OE
			Plug M8x1, 3-pin	2.5	543872	SME-8M-ZS-24V-K-2,5-OE
				0.3	543861	SME-8M-DS-24V-K-0,3-M8D
	Insertable in the slot lengthwise, flush with the cylinder profile	Contacting	Cable, 3-wire	2.5	150855	SME-8-K-LED-24
			Plug M8x1, 3-pin	0.3	150857	SME-8-S-LED-24
N/C contact						
	Insertable in the slot lengthwise, flush with the cylinder profile	Contacting	Cable, 3-wire	7.5	160251	SME-8-0-K-LED-24

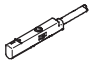
Ordering Data – Mounting Kit for Proximity Sensors SME/SMT-8				Part No.	Type
Designation	For Ø [in]				
Mounting kit SMBR-8					
	1-1/4			175097	SMBR-8-32
	1-5/8			175098	SMBR-8-40
	2			175099	SMBR-8-50
	2-1/2			175100	SMBR-8-63

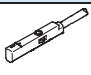
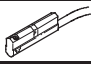
Ordering data – Connecting cables				Technical data → <a href="http://www.festo.com/catalog/nebu">www.festo.com/catalog/nebu</a>	
	Electrical connection, left	Electrical connection, right	Cable length [m]	Part No.	Type
	Straight socket, M8x1, 3-pin	Cable, open end, 3-wire	2.5	541333	NEBU-M8G3-K-2.5-LE3
			5.0	541334	NEBU-M8G3-K-5-LE3
	Straight socket, M12x1, 5-pin	Cable, open end, 3-wire	2.5	541363	NEBU-M12G5-K-2.5-LE3
			5.0	541364	NEBU-M12G5-K-5-LE3
	Angled socket, M8x1, 3-pin	Cable, open end, 3-wire	2.5	541338	NEBU-M8W3-K-2.5-LE3
			5.0	541341	NEBU-M8W3-K-5-LE3
	Angled socket, M12x1, 5-pin	Cable, open end, 3-wire	2.5	541367	NEBU-M12W5-K-2.5-LE3
			5.0	541370	NEBU-M12W5-K-5-LE3

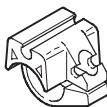
## Round cylinders DSNU/ESNU – Inch Series (Sizes 1-1/4" to 2-1/2")

FESTO

Accessories

Ordering data – Proximity sensors for C-slot, magneto-resistive						Technical data → Internet: smt	
	Type of mounting	Switching output	Electrical connection, connection direction	Cable length [m]	Part No.	Type	
N/O contact							
	Insertable in the slot from above	PNP	Cable, 3-wire, in-line	2.5	551 373	SMT-10M-PS-24V-E-2,5-L-OE	
			Plug M8x1, 3-pin, in-line	0.3	551 375	SMT-10M-PS-24V-E-0,3-L-M8D	
			Plug M8x1, 3-pin, angled	0.3	551 376	SMT-10M-PS-24V-E-0,3-Q-M8D	

Ordering data – Proximity sensors for C-slot, magnetic reed						Technical data → Internet: sme	
	Type of mounting	Switching output	Electrical connection, connection direction	Cable length [m]	Part No.	Type	
N/O contact							
	Insertable in the slot from above	Contacting	Plug M8x1, 3-pin, in-line	0.3	551 367	SME-10M-DS-24V-E-0,3-L-M8D	
			Cable, 3-wire, in-line	2.5	551 365	SME-10M-DS-24V-E-2,5-L-OE	
			Cable, 2-wire, in-line	2.5	551 369	SME-10M-ZS-24V-E-2,5-L-OE	
	Insertable in slot lengthwise	Contacting	Plug M8x1, 3-pin, in-line	0.3	173 212	SME-10-SL-LED-24	
			Cable, 3-wire, in-line	2.5	173 210	SME-10-KL-LED-24	

Ordering Data – Mounting Kit for Proximity Sensors SME/SMT-10				Part No.	Type
Designation	For Ø [in]				
Mounting kit SMBR-10					
	1-1/4			175105	SMBR-10-32
	1-5/8			175106	SMBR-10-40
	2			175107	SMBR-10-50
	2-1/2			175108	SMBR-10-63

# Product Range and Company Overview

## A Complete Suite of Automation Services

Our experienced engineers provide complete support at every stage of your development process, including: conceptualization, analysis, engineering, design, assembly, documentation, validation, and production.



**Custom Automation Components**  
Complete custom engineered solutions



**Custom Control Cabinets**  
Comprehensive engineering support and on-site services



**Complete Systems**  
Shipment, stocking and storage services

## The Broadest Range of Automation Components

With a comprehensive line of more than 30,000 automation components, Festo is capable of solving the most complex automation requirements.



**Electromechanical**  
Electromechanical actuators, motors, controllers & drives



**Pneumatics**  
Pneumatic linear and rotary actuators, valves, and air supply



**PLCs and I/O Devices**  
PLC's, operator interfaces, sensors and I/O devices

## Supporting Advanced Automation... As No One Else Can!

Festo is a leading global manufacturer of pneumatic and electromechanical systems, components and controls for industrial automation, with more than 12,000 employees in 56 national headquarters serving more than 180 countries. For more than 80 years, Festo has continuously elevated the state of manufacturing with innovations and optimized motion control solutions that deliver higher performing, more profitable automated manufacturing and processing equipment. Our dedication to the advancement of automation extends beyond technology to the education and development of current and future automation and robotics designers with simulation tools, teaching programs, and on-site services.

## Quality Assurance, ISO 9001 and ISO 14001 Certifications

Festo Corporation is committed to supply all Festo products and services that will meet or exceed our customers' requirements in product quality, delivery, customer service and satisfaction.

To meet this commitment, we strive to ensure a consistent, integrated, and systematic approach to management that will meet or exceed the requirements of the ISO 9001 standard for Quality Management and the ISO 14001 standard for Environmental Management.



© Copyright 2008, Festo Corporation. While every effort is made to ensure that all dimensions and specifications are correct, Festo cannot guarantee that publications are completely free of any error, in particular typing or printing errors. Accordingly, Festo cannot be held responsible for the same. For Liability and Warranty conditions, refer to our "Terms and Conditions of Sale", available from your local Festo office. All rights reserved. No part of this publication may be reproduced, distributed, or transmitted in any form or by any means, electronic, mechanical, photocopying or otherwise, without the prior written permission of Festo. All technical data subject to change according to technical update.



Printed on recycled paper at New Horizon Graphic, Inc., FSC certified as an environmentally friendly printing plant.

# Festo North America

## Festo Regional Contact Center

5300 Explorer Drive  
Mississauga, Ontario L4W 5G4  
Canada

### USA Customers:

For ordering assistance,  
**Call:** 1.800.99.FESTO (1.800.993.3786)  
**Fax:** 1.800.96.FESTO (1.800.963.3786)  
**Email:** customer.service@us.festo.com

For technical support,  
**Call:** 1.866.GO.FESTO (1.866.463.3786)  
**Fax:** 1.800.96.FESTO (1.800.963.3786)  
**Email:** product.support@us.festo.com

### Canadian Customers:

**Call:** 1.877.GO.FESTO (1.877.463.3786)  
**Fax:** 1.877.FX.FESTO (1.877.393.3786)  
**Email:** festo.canada@ca.festo.com

---

## USA Headquarters

Festo Corporation  
395 Moreland Road  
P.O. Box 18023  
Hauppauge, NY 11788, USA  
[www.festo.com/us](http://www.festo.com/us)

---

## USA Sales Offices

### Appleton

North 922 Tower View Drive, Suite N  
Greenville, WI 54942, USA

### Boston

120 Presidential Way, Suite 330  
Woburn, MA 01801, USA

### Chicago

1441 East Business Center Drive  
Mt. Prospect, IL 60056, USA

### Dallas

1825 Lakeway Drive, Suite 600  
Lewisville, TX 75057, USA

### Detroit – Automotive Engineering Center

2601 Cambridge Court, Suite 320  
Auburn Hills, MI 48326, USA

### New York

395 Moreland Road  
Hauppauge, NY 11788, USA

### Silicon Valley

4935 Southfront Road, Suite F  
Livermore, CA 94550, USA

## United States



**USA Headquarters, East:** Festo Corp., 395 Moreland Road, Hauppauge, NY 11788  
Phone: 1.631.435.0800; Fax: 1.631.435.8026;  
Email: [info@festo-usa.com](mailto:info@festo-usa.com) [www.festo.com/us](http://www.festo.com/us)

## Canada



**Headquarters:** Festo Inc., 5300 Explorer Drive, Mississauga, Ontario L4W 5G4  
Phone: 1.905.624.9000; Fax: 1.905.624.9001;  
Email: [festo.canada@ca.festo.com](mailto:festo.canada@ca.festo.com) [www.festo.ca](http://www.festo.ca)

## Mexico



**Headquarters:** Festo Pneumatic, S.A., Av. Ceylán 3, Col. Tequesquahuac,  
54020 Tlalnequahuac, Edo. de México  
Phone: 011 52 [55] 53 21 66 00; Fax: 011 52 [55] 53 21 66 65;  
Email: [festo.mexico@mx.festo.com](mailto:festo.mexico@mx.festo.com) [www.festo.com/mx](http://www.festo.com/mx)

---

## Central USA

Festo Corporation  
1441 East Business  
Center Drive  
Mt. Prospect, IL 60056, USA  
Phone: 1.847.759.2600  
Fax: 1.847.768.9480



## Western USA

Festo Corporation  
4935 Southfront Road,  
Suite F  
Livermore, CA 94550, USA  
Phone: 1.925.371.1099  
Fax: 1.925.245.1286



---

## Festo Worldwide

Argentina Australia Austria Belarus Belgium Brazil Bulgaria Canada Chile China Colombia Croatia Czech Republic Denmark  
Estonia Finland France Germany Great Britain Greece Hong Kong Hungary India Indonesia Iran Ireland Israel Italy Japan Latvia  
Lithuania Malaysia Mexico Netherlands New Zealand Norway Peru Philippines Poland Romania Russia Serbia Singapore  
Slovakia Slovenia South Africa South Korea Spain Sweden Switzerland Taiwan Thailand Turkey Ukraine United States Venezuela

[www.festo.com](http://www.festo.com)