

Semi-rotary drives DRVS



Semi-rotary drives DRVS

Key features

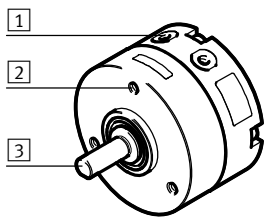
Key features at a glance

- Double-acting semi-rotary drive with rotary vanes
- Lighter than other semi-rotary drives
- Modern and compact design
- Fixed swivel angle
- Swivel angle can be adjusted with the help of accessories
- Housing protected against splash water and dust
- No metal fixed stop

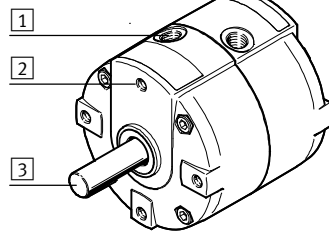
The technology in detail

Semi-rotary drive DRVS

Size 6, 8



Size 12 ... 40



- 1 Pneumatic connection
- 2 Mounting thread
- 3 Output shaft:
Size 6 ... 16: with flat
Size 25 ... 40: with feather key

Position sensor SRBS

The position sensor is used for sensing the end positions of the semi-rotary drive DRVS.

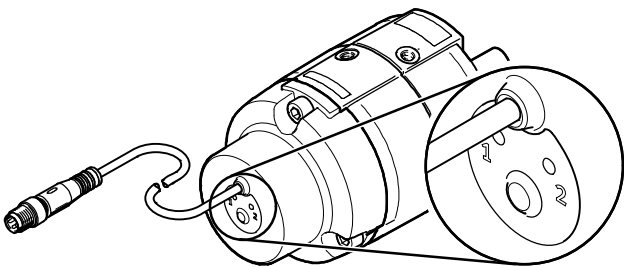
Sensing is performed magnetically and without contact. Two switching points are output.

Features:

- Quick assembly without having to manually search for switching points
- Simple and reliable operation using one button
- Only one connecting cable required
- Long service life thanks to sturdy and non-contacting position sensing

Technical data:

- Sensing range: 0 ... 270°
- Repetition accuracy: $\leq 1^\circ$
- 2 switching outputs (24 V)
- Switching output: PNP or NPN programmable
- Switching element function: N/O contact or N/C contact programmable



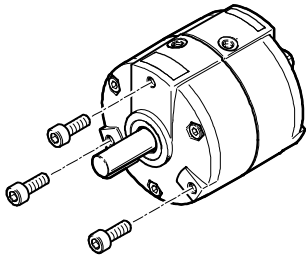
Semi-rotary drives DRVS

Type codes

Mounting options

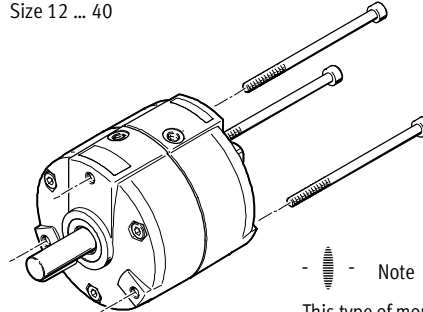
Via internal thread

Size 6 ... 40



Via through-hole

Size 12 ... 40

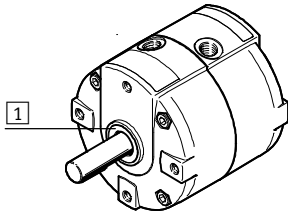


 Note

This type of mounting is not permissible in combination with accessories.

Centring via centring collar

Size 6 ... 40



1 Centring collar

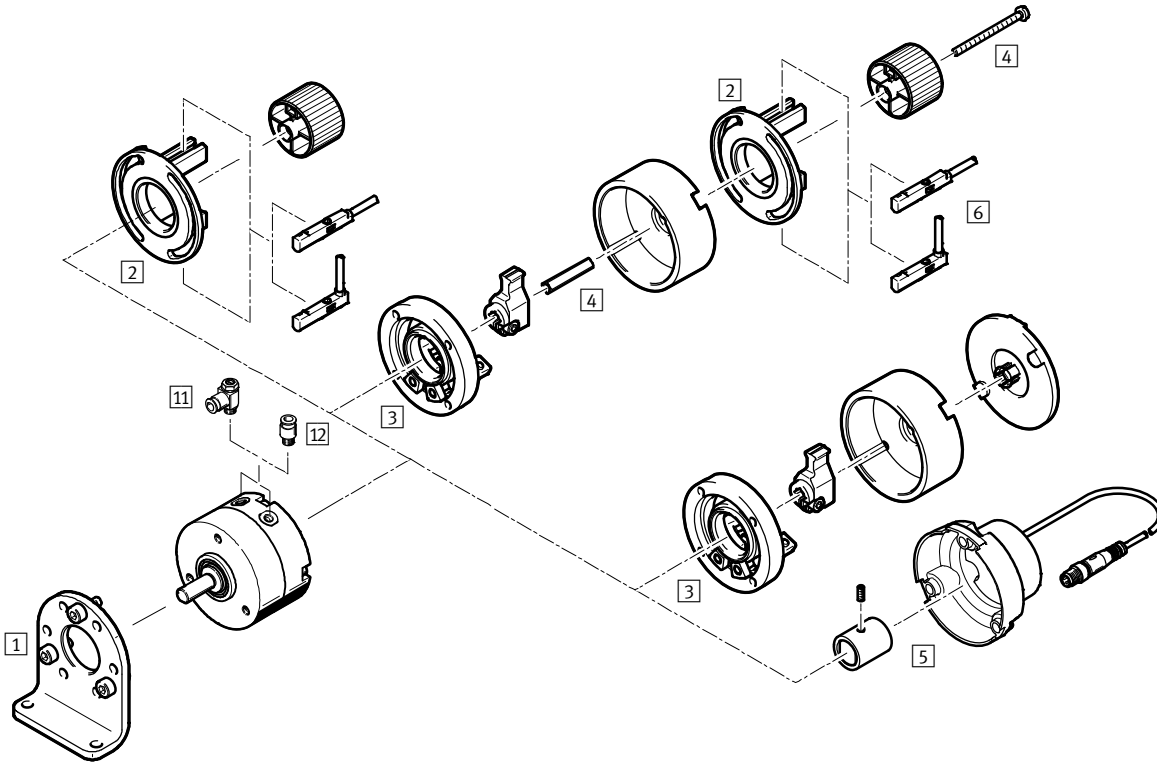
Type codes

		DRVS	-	12	-	180	-	P	-	
Type										
Double-acting										
DRVS	Semi-rotary drive									
Size [mm]										
Swivel angle [°]										
Cushioning										
P	Elastic cushioning rings/plates at both ends									
EU certification										
EX4	II 2GD									

Semi-rotary drives DRVS

Peripherals overview

Size 6 and 8

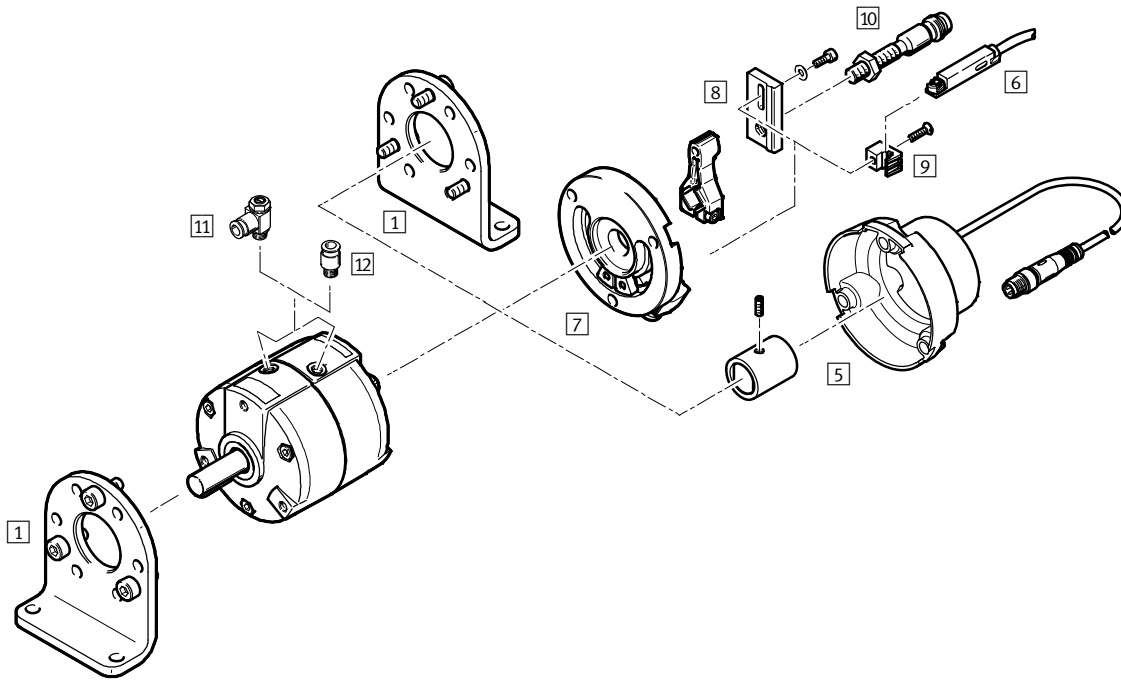


Accessories	Description	→ Page/ Internet
1 Foot mounting DAMH	<ul style="list-style-type: none"> For mounting the semi-rotary drive Front mounting only 	14
2 Mounting kit WSM-...-SME-10	<ul style="list-style-type: none"> For sensing the swivel angle For mounting the proximity sensor SME-/SMT-10 Must be ordered separately as an accessory Can be combined with stop kit KSM The adapter kit DADP-AK must also be ordered in combination with stop kit KSM → 18 	18
3 Stop kit KSM	<ul style="list-style-type: none"> For adjusting the swivel angle Must be ordered separately as an accessory Can be combined with mounting kit WSM The adapter kit DADP-AK must also be ordered in combination with mounting kit WSM → 18 	18
4 Adapter kit DADP-AK	For attaching mounting kit WSM to stop kit KSM	18
5 Position sensor SRBS	<ul style="list-style-type: none"> For sensing the swivel angle No adjustment of the proximity sensors required The end positions of the swivel angle are taught in at the touch of a button Can only be mounted directly on the semi-rotary drive, without other accessories Must be ordered separately as an accessory The scope of delivery of the position sensor includes a magnet, which must be mounted on the shaft of the semi-rotary drive 	19
6 Proximity sensor SME/SMT-10	Proximity sensor for sensing the end position	20
11 One-way flow control valve GRLA	For regulating speed	21
12 Push-in fitting QS	For connecting compressed air tubing with standard O.D.	quick star

Semi-rotary drives DRVS

Peripherals overview

Size 12 ... 40

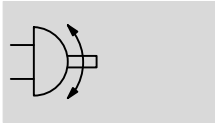



Accessories	Description	→ Page/ Internet
1 Foot mounting DAMH	<ul style="list-style-type: none"> • For mounting the semi-rotary drive • Mounting at one or both ends 	14
5 Position sensor SRBS	<ul style="list-style-type: none"> • For sensing the swivel angle • No adjustment of the proximity sensors required • The end positions of the swivel angle are taught in at the touch of a button • Can only be mounted directly on the semi-rotary drive, without other accessories • Must be ordered separately as an accessory • The scope of delivery of the position sensor includes a magnet, which must be mounted on the shaft of the semi-rotary drive 	19
6 Proximity sensor SME/SMT-10	Proximity sensor for sensing the end position	20
7 Stop kit DADP-ES	<ul style="list-style-type: none"> • For adjusting the swivel angle • Must be ordered separately as an accessory 	16
8 Sensor bracket SL-DSM-S	For mounting the round inductive proximity sensor SIEN	20
9 Sensor bracket SL-DSM-B	For mounting the proximity sensor SME/SMT-10	20
10 Proximity sensor SIEN	Inductive proximity sensor for sensing the end position	21
11 One-way flow control valve GRLA	For regulating speed	21
12 Push-in fitting QS	For connecting compressed air tubing with standard O.D.	quick star

Semi-rotary drives DRVS

Technical data

Function



 Size
6 ... 40

General technical data							
Size	6	8	12	16	25	32	40
Pneumatic connection	M3		M5			G1/8	
Design	Rotary vane						
Cushioning	Elastic cushioning rings/plates at both ends						
Type of mounting	Via internal thread						
Mounting position	Any						
Swivel angle [°]	90, 180		90, 180, 270				
Swivel angle with stop kit KSM, DADP	→ 16						
Cushioning angle [°]	0.5						
Repetition accuracy [°]	1						
Swivel frequency at 6 bar [Hz]	3		2				

Operating and environmental conditions							
Size	6	8	12	16	25	32	40
Operating medium	Compressed air to ISO 8573-1:2010 [7:4:4]						
Note on operating/pilot medium	Lubricated operation possible (in which case lubricated operation will always be required)						
Operating pressure [bar]	3.5 ... 8		2.5 ... 8			2 ... 8	
Ambient temperature ¹⁾ [°C]	0 ... +60						
Storage temperature [°C]	20						
Corrosion resistance class CRC ²⁾	1						

- 1) Note operating range of proximity sensors.
- 2) Corrosion resistance class CRC 1 to Festo standard FN 940070
Low corrosion stress. For dry indoor applications or transport and storage protection. Also applies to parts behind covers, in the non-visible interior area, and parts which are covered in the application (e.g. drive trunnions).

ATEX ¹⁾	
ATEX category for gas	II 2G
Explosion ignition protection type for gas	c T4 X
ATEX category for dust	II 2D
Explosion ignition protection type for dust	c T120°CX
Explosion-proof temperature [°C]	0 °C ≤ Ta ≤ +60 °C
CE marking (see declaration of conformity)	To EU Explosion Protection Directive (ATEX)

- 1) Note the ATEX certification of the accessories.

Semi-rotary drives DRVS

Technical data

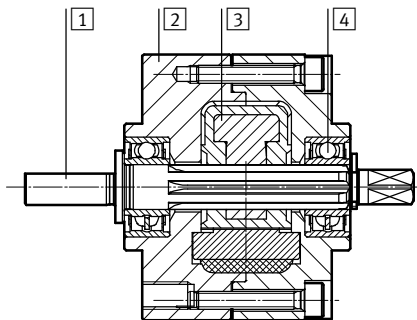
FESTO

Weight [g]							
Size	6	8	12	16	25	32	40
Swivel angle of 90°	38	68	154	272	502	928	1530
Swivel angle of 180°	38	68	152	270	494	912	1500
Swivel angle of 270°	–	–	150	268	486	896	1470

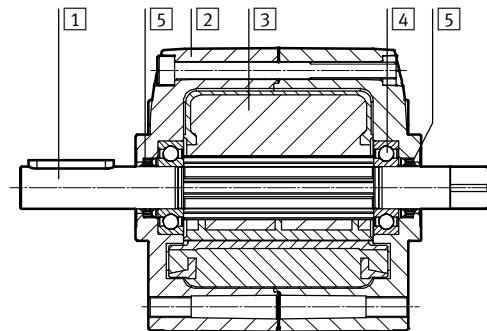
Materials

Sectional view

DRVS-6/8



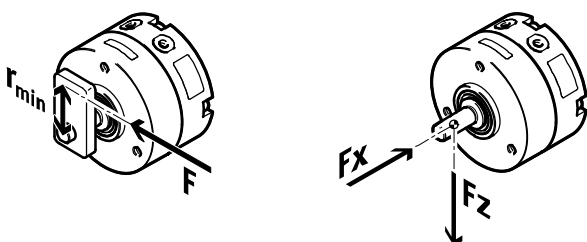
DRVS-12 ... 40



Size	6	8	12	16	25	32	40
1 Output shaft	High-alloy stainless steel			Nickel-plated steel			
2 Housing	Anodised wrought aluminium alloy			Painted die-cast aluminium			
3 Rotary vane	Reinforced PET						
4 Ball bearing	Rolled steel						
5 Shaft seal	–		PU			NBR	
– Screws	Galvanised steel						
– Seals	TPE-U(PU)						
Note on materials	RoHS-compliant						

Forces and torques								
Size	6	8	12	16	25	32	40	
Theoretical torque								
at 6 bar	[Nm]	0.15	0.35	1	2	5	10	20
per bar	[Nm]	0.025	0.058	0.166	0.33	0.83	1.66	3.33
Perm. stop radius r	[mm]	10	10	15	17	21	28	40
Perm. stop force F	[N]	15	30	90	160	320	480	650
Max. perm. dyn. axial force $F_x^{1)}$	[N]	10	10	20	25	40	75	120
Max. perm. dyn. radial force $F_z^{1)}$	[N]	15	20	25	30	60	200	350
Max. perm. mass moment of inertia	[kgm ² x10 ⁻⁴]	6.5	13	50	100	120	200	350

1) On the output shaft

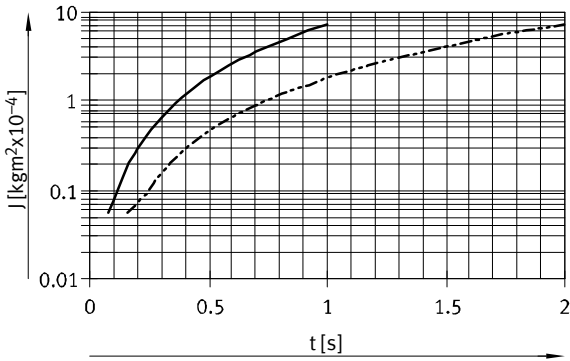


Semi-rotary drives DRVS

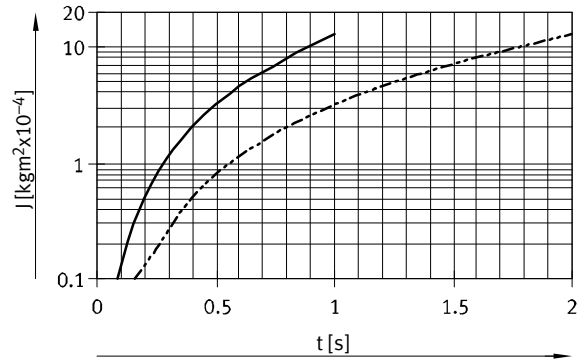
Technical data

Mass moment of inertia J as a function of swivel time t

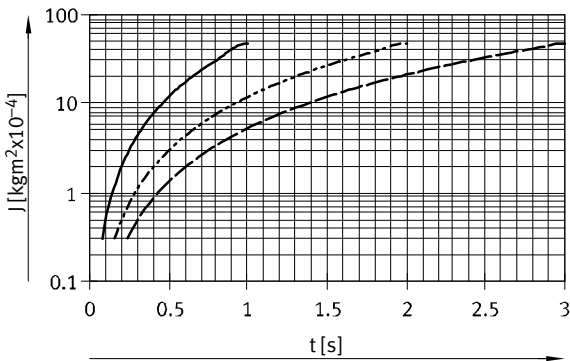
Size 6



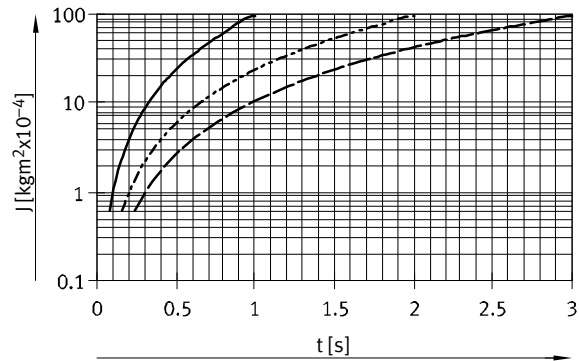
Size 8



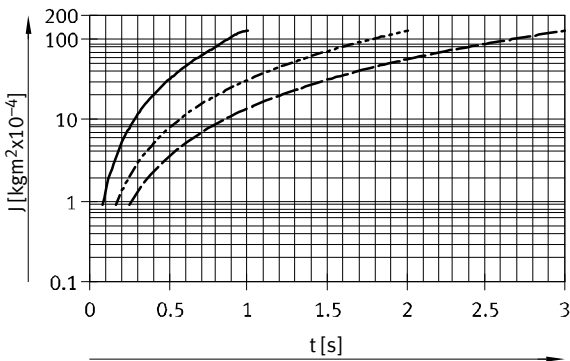
Size 12



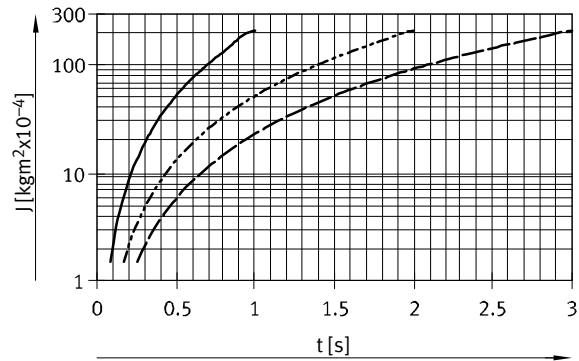
Size 16



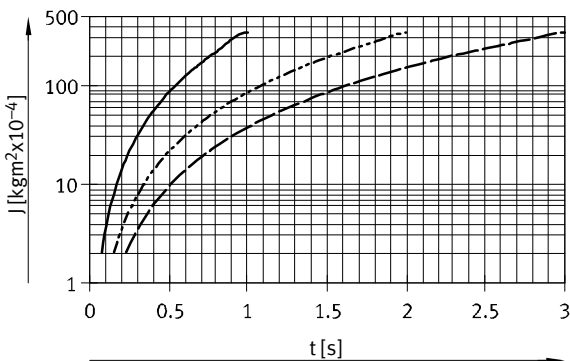
Size 25


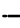
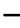


Size 32



Size 40



 90°
 180°
 270°

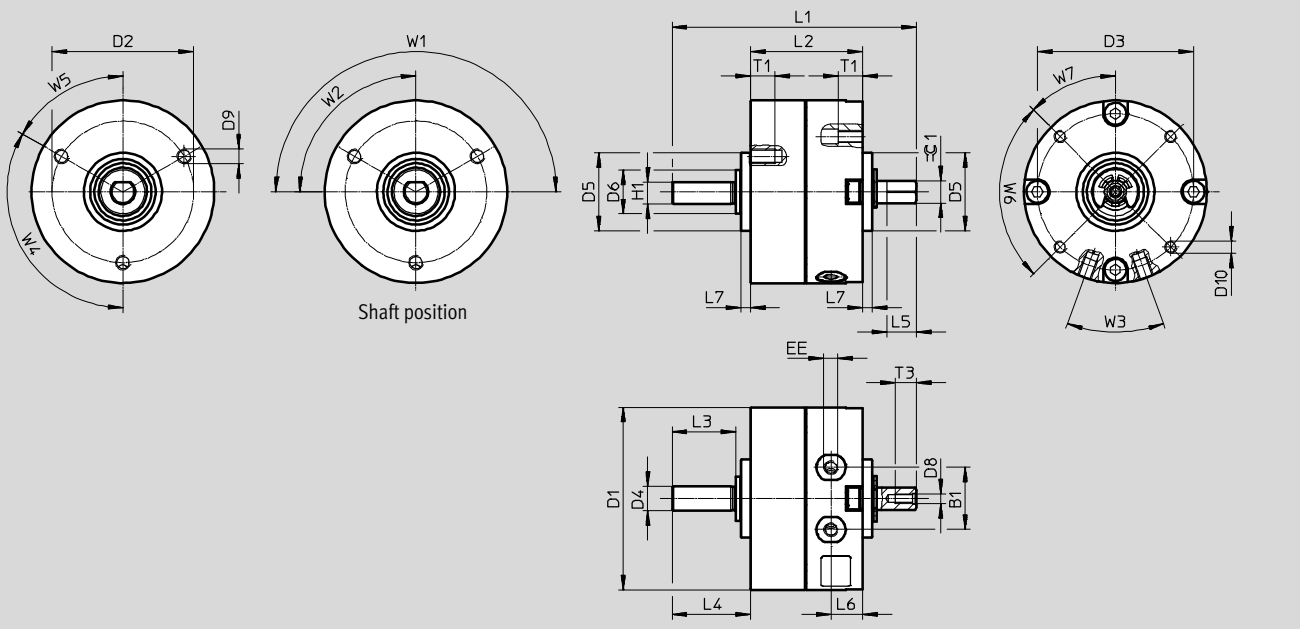
Semi-rotary drives DRVS

Technical data

Dimensions

Download CAD data → www.festo.com

Size 6/8



Size	B1	D1 ∅ ±0.2	D2 ∅ ±0.1	D3 ∅ ±0.1	D4 ∅ g7	D5 ∅ f8	D6 ∅	D8	D9
6	10	29.4	24	25	4	14	8	M2	M3
8	12.8	37.4	29	32	5	16	9	M2	M3

Size	D10	EE	H1 -0.2	L1	L2	L3	L4	L5 -0.2	L6	L7
6	M2	M3	3.5	43	21	10	13	5	6	2
8	M2.5	M3	4.5	50	23	13	16	6	6.5	2

Size	T1 +0.5	T3 +0.5	W1 +5°	W2 +5°	W3	W4	W5	W6	W7	∓ 1
6	5	3.5	180°	90°	40°	120°	60°	90°	45°	3
8	5	4.3								3.5

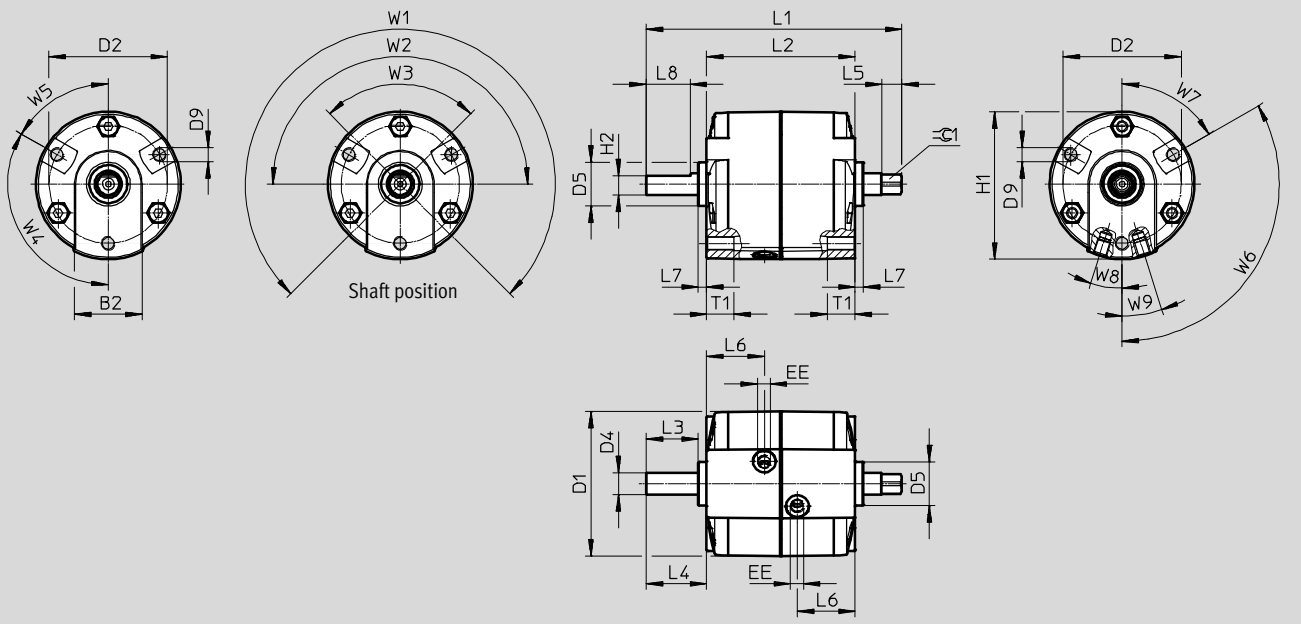
Semi-rotary drives DRVS

Technical data

Dimensions

Download CAD data → www.festo.com

Size 12/16



Size	B2	D1 ∅	D2 ∅ ±0.2	D4 ∅ g7	D5 ∅ -0.1	D9	EE	H1
12	24	45.5	36	6	14	M4	M5	46.3
16	24.5	52.7	43	8	16	M5	M5	53.7

Size	H2 ±0.1	L1	L2 +0.6/-0.2	L3	L4	L5	L6	L7	L8	T1
12	5	73 ^{+0.2/-0.1}	40.5	17	20 ^{+0.4/-0.6}	9 ^{±0.1}	14.8	3	14	8
16	7	93 ^{+0.2/-0.2}	54	19	22 ^{+0.4/-0.7}	7.2 ^{+0.1}	21	3	16	10

Size	W1 +7°	W2 +7°	W3 +7°	W4	W5	W6	W7	W8	W9	≈∠ 1
12	270°	180°	90°	120°	60°	120°	60°	19.5°	19.5°	4.5 _{h11}
16	270°	180°	90°	120°	60°	120°	60°	17.5°	17.5°	6 _{-0.1}

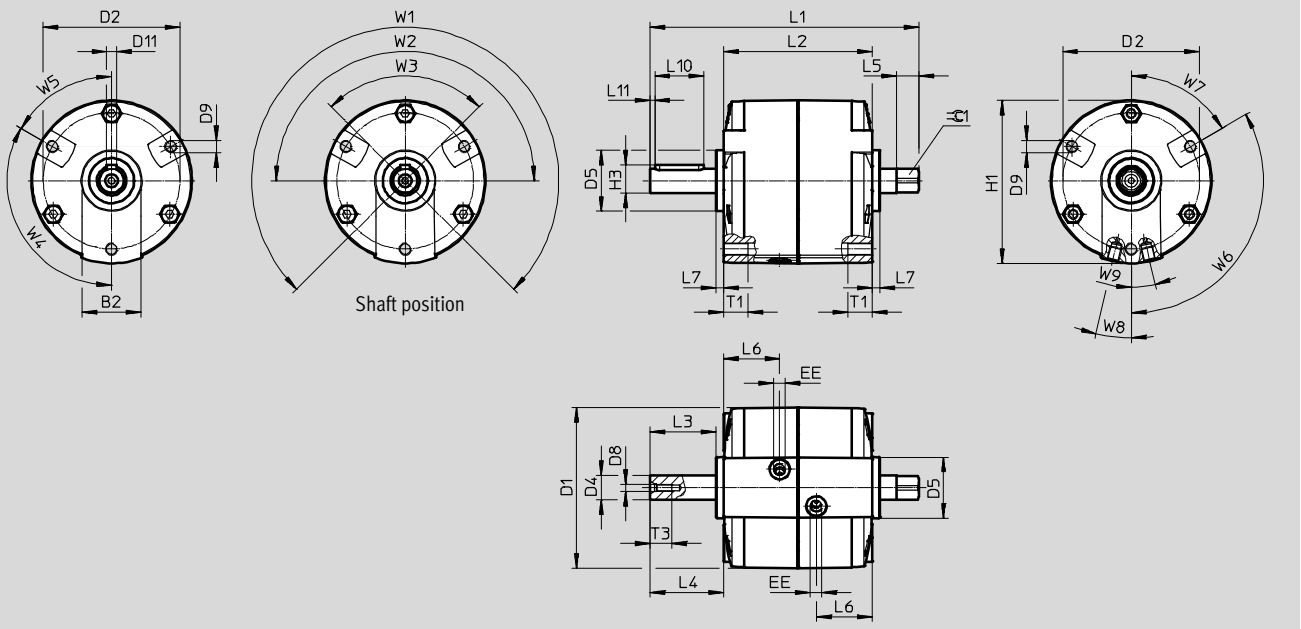
Semi-rotary drives DRVS

Technical data

Dimensions

Download CAD data → www.festo.com

Size 25



Size	B2	D1	D2	D4	D5	D8	D9	D11
		∅	∅	∅	∅			N9
			+0.2	g7	-0.1			
25	24	65.7	56	10	25	M3	M5	4

Size	EE	H1	H3	L1	L2	L3	L4	L5
			-0.2	+0.2/-0.3	+0.3/-0.2		+0.3/-0.4	
25	M5	66.7	11.5	110.2	61	27.1	30.1	9.2

Size	L6	L7	L10	L11	T1	T3	W1	W2
		+0.1/-0.1	+0.1			+3	+7°	+7°
25	23	3	20	2	10	9	270°	180°

Size	W3	W4	W5	W6	W7	W8	W9	≈C 1	Feather key to DIN 6885 ¹⁾
	+7°							-0.1	
25	90°	120°	60°	120°	60°	13°	13°	8	A4x4x20

1) Included in the scope of delivery

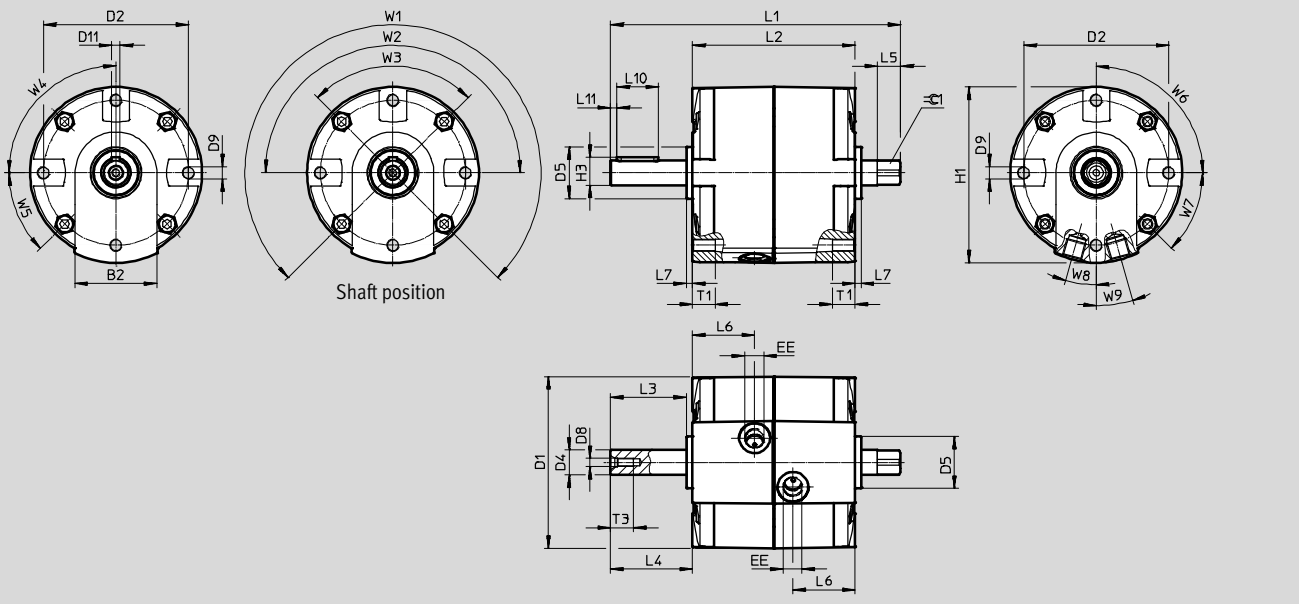
Semi-rotary drives DRVS

Technical data

Dimensions

Download CAD data → www.festo.com

Size 32/40



Size	B2	D1 Ø	D2 Ø ±0.2	D4 Ø g7	D5 Ø -0.1	D8	D9	D11 N9
32	39	83	70	12	25	M4	M6	4
40	42	100.1	87	17	30	M5	M8	5

Size	EE	H1	H3 -0.2	L1 +0.2/-0.3	L2	L3	L4 +0.3/-0.6	L5
32	G1/8	85	13.5	140	78.5+0.5/-0.1	36.5	39.5	11.2
40	G1/8	102.6	19	170	93+0.4	50.5	53.5	16+0.3

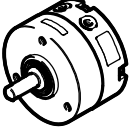
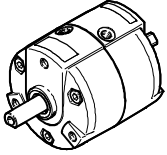
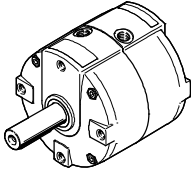
Size	L6	L7	L10	L11	T1	T3 +3	W1 +7°	W2 +7°
32	30	3+0.1/-0.2	20+0.1	3	11	11	270°	180°
40	37	3+0.2	36.1+0.3	5	13+3	13		

Size	W3 +7°	W4	W5	W6	W7	W8	W9	≈C 1 h11	Feather key to DIN 6885 ¹⁾
32	90°	90°	45°	90°	45°	16°	16°	10	A4x4x20
40						14.5°	14.5°	13	A5x5x36

1) Included in the scope of delivery

Semi-rotary drives DRVS

Technical data

Ordering data						
	Size	Swivel angle	Without ATEX certification		With ATEX certification	
			Part No.	Type	Part No.	Type
	6	90°	1845706	DRVS-6-90-P	2536483	DRVS-6-90-P-EX4
		180°	1845707	DRVS-6-180-P	2536484	DRVS-6-180-P-EX4
	8	90°	1845708	DRVS-8-90-P	2536485	DRVS-8-90-P-EX4
		180°	1845709	DRVS-8-180-P	2536486	DRVS-8-180-P-EX4
	12	90°	1845710	DRVS-12-90-P	2536487	DRVS-12-90-P-EX4
		180°	1845711	DRVS-12-180-P	2536488	DRVS-12-180-P-EX4
		270°	1845712	DRVS-12-270-P	2536489	DRVS-12-270-P-EX4
	16	90°	1845713	DRVS-16-90-P	2536490	DRVS-16-90-P-EX4
		180°	1845714	DRVS-16-180-P	2536491	DRVS-16-180-P-EX4
		270°	1845715	DRVS-16-270-P	2536492	DRVS-16-270-P-EX4
	25	90°	1845716	DRVS-25-90-P	2536493	DRVS-25-90-P-EX4
		180°	1845717	DRVS-25-180-P	2536494	DRVS-25-180-P-EX4
		270°	1845718	DRVS-25-270-P	2536495	DRVS-25-270-P-EX4
	32	90°	1845719	DRVS-32-90-P	2536496	DRVS-32-90-P-EX4
		180°	1845720	DRVS-32-180-P	2536497	DRVS-32-180-P-EX4
		270°	1845721	DRVS-32-270-P	2536498	DRVS-32-270-P-EX4
	40	90°	1845722	DRVS-40-90-P	2536499	DRVS-40-90-P-EX4
		180°	1845723	DRVS-40-180-P	2536500	DRVS-40-180-P-EX4
		270°	1845724	DRVS-40-270-P	2536501	DRVS-40-270-P-EX4

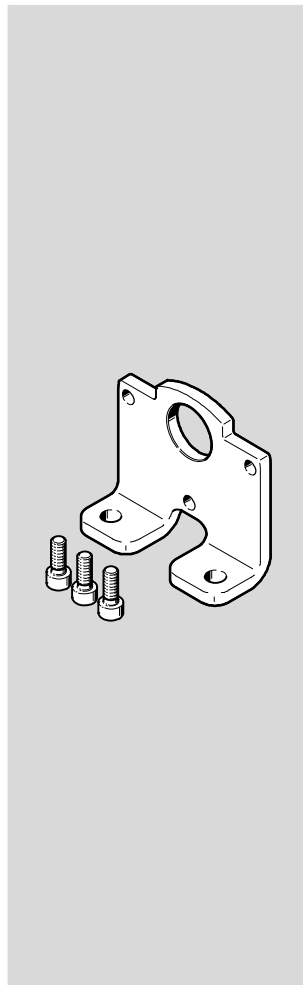
Semi-rotary drives DRVS

Accessories

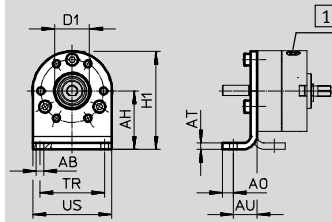
Foot mounting DAMH

Material:
Galvanised steel

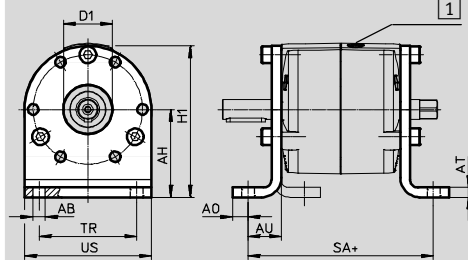
Foot mountings can only be mounted on the front with size 6 and 8.



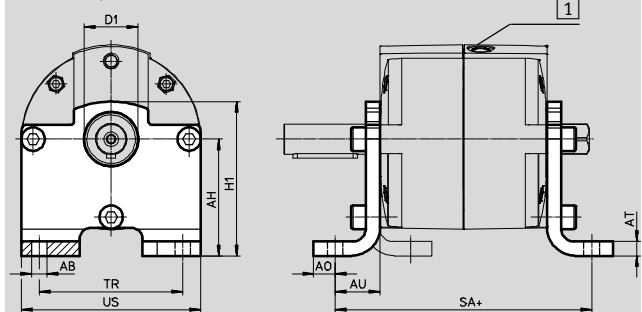
For size 6/8



For size 12 ... 25



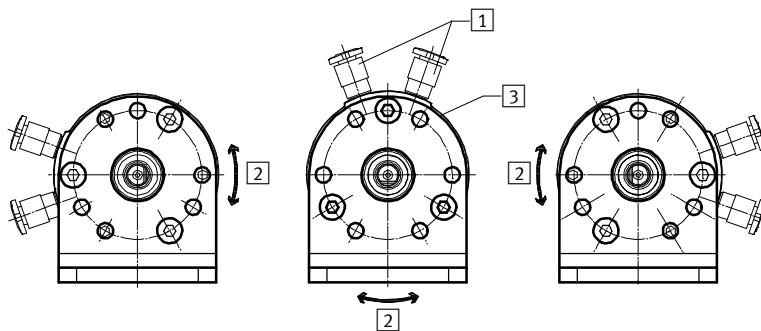
For size 32/40



1 Supply ports

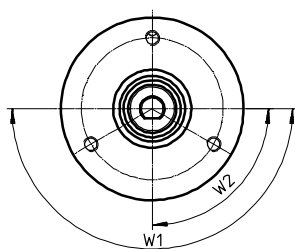
Mounting variants in combination with supply ports

Three mounting variants are possible in combination with the foot mounting DAMH and supply ports **1**. Mid-position of the swivel angle is in position **2**.

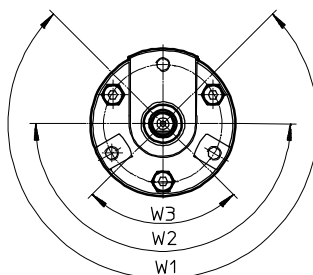


Shaft position in standard position **3** (position swivel angle)

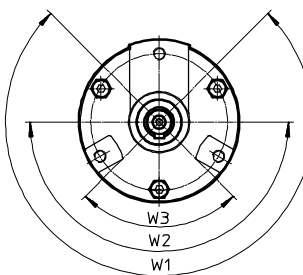
Size 6/8



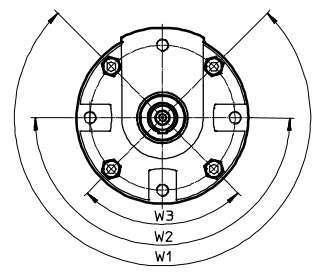
Size 12/16



Size 25



Size 32/40



Semi-rotary drives DRVS

Accessories

FESTO

Dimensions and ordering data							
For size	AB ∅ H13	AH	AO	AT	AU	D1 ∅	H1
6	3.5	22±0.2	4	3	11	14 ^{+0.05}	36.8±0.5/-0.3
8	3.5	27±0.2	5	3	11	16 ^{+0.05}	45.3±0.4
12	5.5	30±0.2	6	4	14	14 ^{H10}	52±0.5/-0.3
16	5.5	35±0.25	7	4	15	16 ^{H10}	61±0.5/-0.3
25	6.5	45±0.25	8	5	17	25 ^{H10}	77.5±0.5/-0.3
32	8.8	55±0.3	11	6	21	25 ^{H10}	73±0.5
40	8.8	65±0.3	12	8	25	30 ^{H10}	86±0.5

For size	SA	TR	US	Weight ¹⁾	Part No.	Type
				[g]		
6	–	20	29.6 ^{+0.3/-0.2}	27	3371840	DAMH-Q12-6
8	–	30	36.6±0.3	40	3371841	DAMH-Q12-8
12	68.5	30	44 _{-0.5}	79	3371842	DAMH-Q12-12
16	84	40	52 _{-0.5}	111	3371843	DAMH-Q12-16
25	95	50	65 _{-0.5}	203	3371844	DAMH-Q12-25
32	122.5	60	81.5 _{-0.5}	287	3371845	DAMH-Q12-32
40	143	80	100±0.3	529	3371846	DAMH-Q12-40

1) For one foot mounting

Semi-rotary drives DRVS

Accessories


Stop kit DADP-ES

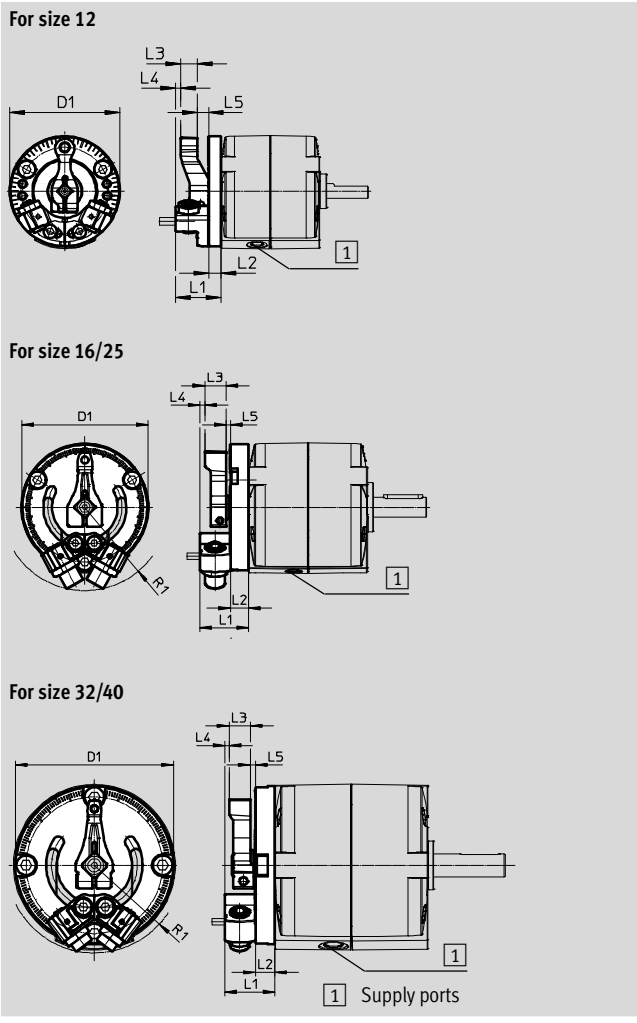
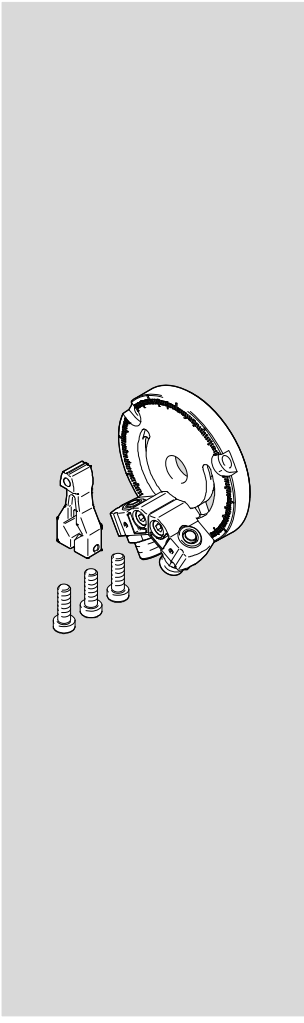
Material:

- Disc: Anodised aluminium
- Lever: Nickel-plated beryllium bronze
- Stop: DADP-12: Nickel-plated beryllium bronze,
- DADP-16 ... 40: Stainless steel

Description:

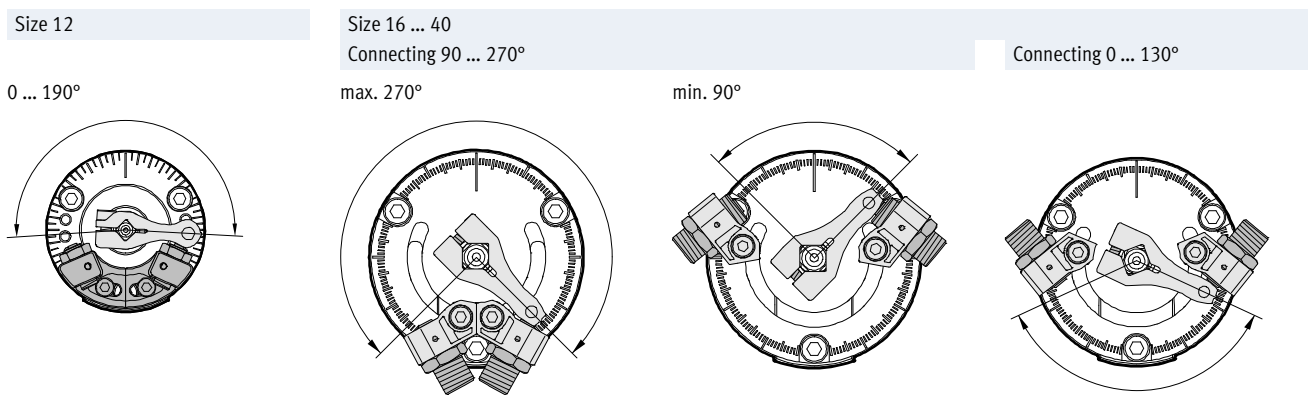
- For adjusting the swivel angle
- With elastic cushioning components for silencing

 Note
 Perm. mass moment of inertia
 → basic drive



Optimal swivel motion

For a balanced swivel motion it is recommended to position the stops symmetrically to mid-position.



Semi-rotary drives DRVS

Accessories

FESTO

Dimensions and ordering data							
For size	D1 ∅	L1	L2	L3	L4	L5	R1
12	45	18.5	5	6.8	2	4.7	–
16	51.7	21.5	9	8.5	2.3	1.7	34
25	64.6	24.8	9.2	10.8	2.5	2.3	43.5
32	81	25.6	10	10.8	2.2	2.6	45.5
40	100	32	12	13.7	3.3	3	58

For size	Swivel angle [°]	Precision adjustment [°]	Weight [g]	Part No.	Type
12	0 ... 190	–6	60	2536502	DADP-ES-Q12-12
16	0 ... 270	–6	110	2536503	DADP-ES-Q12-16
25	0 ... 270	–6	180	2536504	DADP-ES-Q12-25
32	0 ... 270	–6	250	2536505	DADP-ES-Q12-32
40	0 ... 270	–6	450	2536506	DADP-ES-Q12-40

Semi-rotary drives DRVS

Accessories

Stop kit KSM

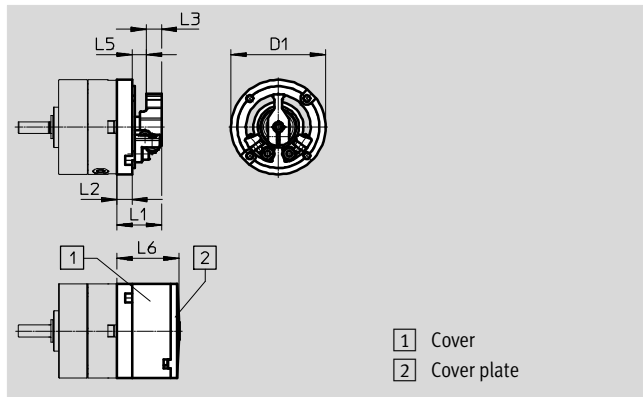
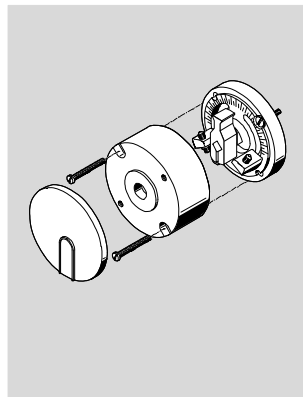
Material:

Housing: Anodised aluminium

Stops: High-alloy stainless steel

Description:

For adjusting the swivel angle



Dimensions and ordering data						
For size	D1 ∅	L1	L2	L3	L5	L6
	±0.2	+0.4	+0.3			+0.2/-0.6
6	29.4	11.2	3.2	5	2.5	17.8
8	37.4	17	6	6	5.7	24.9

For size	Swivel angle [°]	Precision adjustment [°]	Weight [g]	Part No.	Type
6	0 ... 180	-5 ... +1	30	175833	KSM-6
8	0 ... 180	-5 ... +1	70	175834	KSM-8

Mounting kit WSM

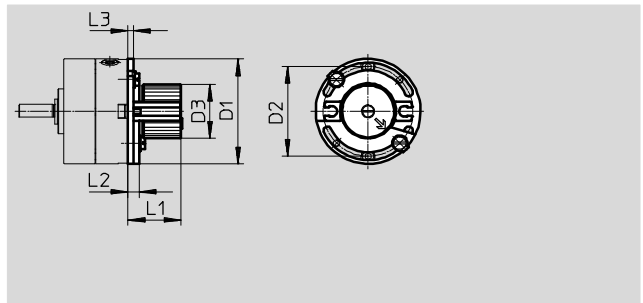
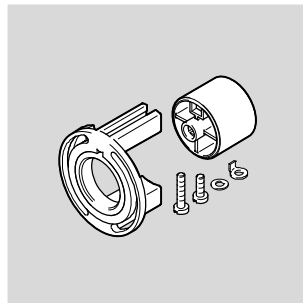
Material:

Bracket, magnet holder: Polyamide

Rail in bracket: Aluminium

Description:

- For sensing the swivel angle
- For mounting the proximity sensor SME/SMT-10



Dimensions and ordering data								
For size	D1 ∅	D2 ∅	D3 ∅	L1	L2	L3	Part No.	Type
	±0.2	±0.2		±1				
6	29.4	25	17.3	19.5	4	2	173205	WSM-6-SME-10
8	37.4	32	19.3	19.5	4	2	173206	WSM-8-SME-10

Ordering data – Adapter kit				
	For size	Description	Part No.	Type
	6	For attaching mounting kit WSM to stop kit KSM	3617044	DADP-AK-Q1-6
	8		3617045	DADP-AK-Q1-8

Semi-rotary drives DRVS

Accessories

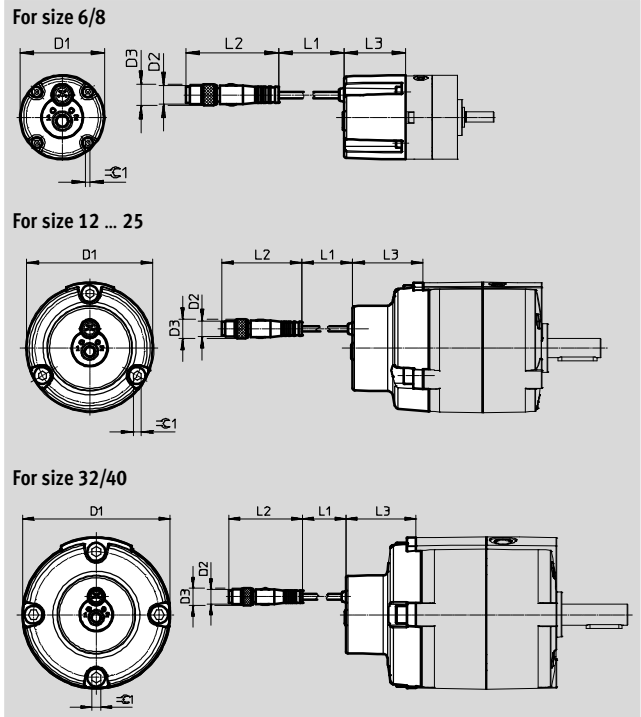
Position sensor SRBS

Material:

Housing: Reinforced PA, nickel-plated brass

Description:

- For sensing the end positions
- Simple and reliable operation using one button
- Only one connecting cable required

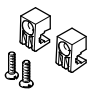



Dimensions and ordering data							
For size	D1 ∅	D2	D3 ∅	L1	L2	L3	∠ 1
6	29.4	M8x1	9.6	300	41.1	25.4	1.5
8	32					27.4	2
12	44.6					29.4	3
16	51.6					33.9	4
25	64.5					36	4
32	81.3					38.9	5
40	98.3					40.4	6

For size	Sensing range [°]	Repetition accuracy [°]	Number of switching outputs	Switching output	Switching element	Weight [g]	Part No.	Type
6	0 ... 270	≤ 1	2	PNP/NPN	N/O contact and N/C contact	25	2619969	SRBS-Q12-6-E270-EP-1-S-M8
8						30	2619972	SRBS-Q12-8-E270-EP-1-S-M8
12						42	2393546	SRBS-Q12-12-E270-EP-1-S-M8
16						55	2393547	SRBS-Q12-16-E270-EP-1-S-M8
25						60	2393548	SRBS-Q12-25-E270-EP-1-S-M8
32						81	2393549	SRBS-Q12-32-E270-EP-1-S-M8
40						120	2393550	SRBS-Q12-40-E270-EP-1-S-M8

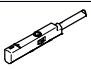
Semi-rotary drives DRVS

Accessories

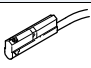
Ordering data – Sensor bracket					
	For size	Description	Part No.	Type	PU ¹⁾
	12 ... 40	<ul style="list-style-type: none"> For sensing the swivel angle For mounting the proximity sensor SME/SMT-10 	550661	SL-DSM-B	2
	12 ... 40	<ul style="list-style-type: none"> For sensing the swivel angle For mounting the proximity sensor SIEN-M5 	1130882	SL-DSM-S-M5-B	2
		<ul style="list-style-type: none"> For sensing the swivel angle For mounting the proximity sensor SIEN-M8 	1132360	SL-DSM-S-M8-B	

1) Packaging unit

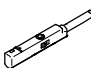
Proximity sensor for size 6, 8, 12

Ordering data – Proximity sensor for C-slot, magneto-resistive						Technical data → Internet: smt	
	Type of mounting	Switching output	Electrical connection, outlet direction	Cable length [m]	Part No.	Type	
N/O contact							
	For size 6, 8: with mounting kit WSM-...-SME-10 For size 12: Mounted on the DRVS using sensor bracket SL-DSM-B	PNP	Cable, 3-wire, in-line	2.5	551373	SMT-10M-PS-24V-E-2,5-L-OE	
			Plug M8x1, 3-pin, in-line	0.3	551375	SMT-10M-PS-24V-E-0,3-L-M8D	

Proximity sensor for size 6 ... 40

Ordering data – Proximity sensor for C-slot, magnetic reed						Technical data → Internet: sme	
	Type of mounting	Switching output	Electrical connection, outlet direction	Cable length [m]	Part No.	Type	
N/O contact							
	For size 6, 8: with mounting kit WSM-...-SME-10 For size 12 ... 40: with sensor bracket SL-DSM-B	Contacting	Cable, 3-wire, in-line	2.5	173210	SME-10-KL-LED-24	
			Plug M8x1, 3-pin, in-line	0.3	173212	SME-10-SL-LED-24	

Proximity sensor for size 12 ... 40

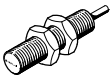
Ordering data – Proximity sensor for C-slot, magnetic reed						Technical data → Internet: sme	
	Type of mounting	Switching output	Electrical connection, outlet direction	Cable length [m]	Part No.	Type	
N/O contact							
	With sensor bracket SL-DSM-B	Contacting	Cable, 3-wire, in-line	2.5	551365	SME-10M-DS-24V-E-2,5-L-OE	
			Plug M8x1, 3-pin, in-line	0.3	551367	SME-10M-DS-24V-E-0,3-L-M8D	



Semi-rotary drives DRVS


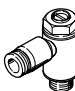
Accessories

FESTO

Inductive proximity sensor for size 12 ... 40

Ordering data – Proximity sensor, inductive						Technical data → Internet: sien
	Type of mounting	Thread	Contact	Connection	Part No.	Type
	With sensor bracket SL-DSM-S	M5	N/O contact	Cable, 2.5 m	150370	SIEN-M5B-PS-K-L
				Plug connector	150371	SIEN-M5B-PS-S-L
		M8	N/O contact	Cable, 2.5 m	150386	SIEN-M8B-PS-K-L
				Plug connector	150387	SIEN-M8B-PS-S-L

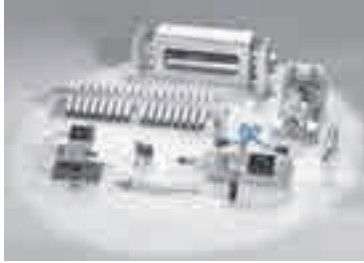
Ordering data – Connecting cables					Technical data → Internet: nebu
	Electrical connection, left	Electrical connection, right	Cable length [m]	Part No.	Type
	Straight socket, M8x1, 3-pin	Cable, open end, 3-wire	2.5	541333	NEBU-M8G3-K-2.5-LE3
			5	541334	NEBU-M8G3-K-5-LE3
	Angled socket, M8x1, 3-pin	Cable, open end, 3-wire	2.5	541338	NEBU-M8W3-K-2.5-LE3
			5	541341	NEBU-M8W3-K-5-LE3

Ordering data – One-way flow control valves					Technical data → Internet: grla	
	For size	Connection		Material	Part No.	Type
		Thread	For tubing O.D.			
For exhaust air						
	6, 8	M3	3	Metal design	175041	GRLA-M3-QS-3
		M5	3		193137	GRLA-M5-QS-3-D
	4		193138		GRLA-M5-QS-4-D	
	32, 40	G1/8	3		193142	GRLA-1/8-QS-3-D
			4		193143	GRLA-1/8-QS-4-D
			6		193144	GRLA-1/8-QS-6-D
			8	193145	GRLA-1/8-QS-8-D	

Product Range and Company Overview

A Complete Suite and Company Overview

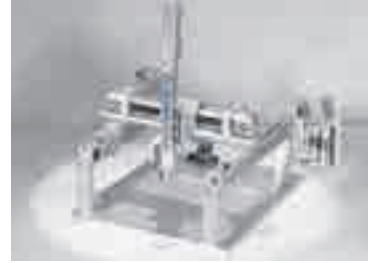
Our experienced engineers provide complete support at every stage of your development process, including: conceptualization, analysis, engineering, design, assembly, documentation, validation, and production.



Custom Automation Components
Complete custom engineered solutions



Custom Control Cabinets
Comprehensive engineering support and on-site services



Complete Systems
Shipment, stocking and storage services

The Broadest Range of Automation Components

With a comprehensive line of more than 30,000 automation components, Festo is capable of solving the most complex automation requirements.



Electromechanical
Electromechanical actuators, motors, controllers & drivers



Pneumatics
Pneumatic linear and rotary actuators, valves, and air supply



PLCs and I/O Devices
PLC's, operator interfaces, sensors and I/O devices

Supporting Advanced Automation... As No One Else Can!

Festo is a leading global manufacturer of pneumatic and electromechanical systems, components and controls for industrial automation, with more than 16,000 employees in 60 national headquarters serving more than 180 countries. For more than 80 years, Festo has continuously elevated the state of manufacturing with innovations and optimized motion control solutions that deliver higher performing, more profitable automated manufacturing and processing equipment. Our dedication to the advancement of automation extends beyond technology to the education and development of current and future automation and robotics designers with simulation tools, teaching programs, and on-site services.

Quality Assurance, ISO 9001 and ISO 14001 Certifications

Festo Corporation is committed to supply all Festo products and services that will meet or exceed our customers' requirements in product quality, delivery, customer service and satisfaction.

To meet this commitment, we strive to ensure a consistent, integrated, and systematic approach to management that will meet or exceed the requirements of the ISO 9001 standard for Quality Management and the ISO 14001 standard for Environmental Management.

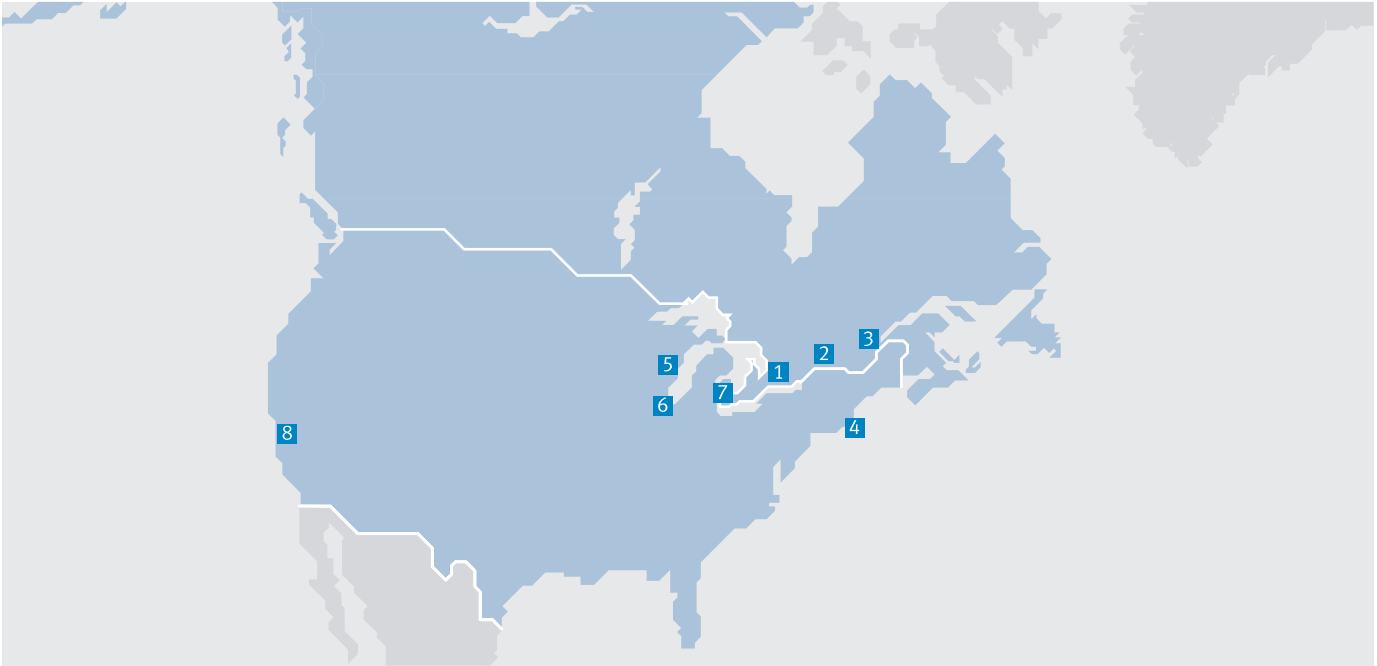


© Copyright 2013, Festo Corporation. While every effort is made to ensure that all dimensions and specifications are correct, Festo cannot guarantee that publications are completely free of any error, in particular typing or printing errors. Accordingly, Festo cannot be held responsible for the same. For Liability and Warranty conditions, refer to our "Terms and Conditions of Sale", available from your local Festo office. All rights reserved. No part of this publication may be reproduced, distributed, or transmitted in any form or by any means, electronic, mechanical, photocopying or otherwise, without the prior written permission of Festo. All technical data subject to change according to technical update.



Printed on recycled paper at New Horizon Graphic, Inc., FSC certified as an environmental friendly printing plant.

Festo North America



**1 Festo Canada
Headquarters
Festo Inc.**
5300 Explorer Drive
Mississauga, ON
L4W 5G4

2 Montréal
5600, Trans-Canada
Pointe-Claire, QC
H9R 1B6

3 Québec City
2930, rue Watt#117
Québec, QC
G1X 4G3



**4 Festo United States
Headquarters
Festo Corporation**
395 Moreland Road
Hauppauge, NY
11788

5 Appleton
North 922 Tower View Drive, Suite N
Greenville, WI
54942

7 Detroit
1441 West Long Lake Road
Troy, MI
48098

6 Chicago
85 W Algonquin - Suite 340
Arlington Heights, IL
60005

8 Silicon Valley
4935 Southfront Road, Suite F
Livermore, CA
94550

Festo Regional Contact Center

Canadian Customers

Commercial Support:
Tel: 1 877 GO FESTO (1 877 463 3786)
Fax: 1 877 FX FESTO (1 877 393 3786)
Email: festo.canada@ca.festo.com

Technical Support:

Tel: 1 866 GO FESTO (1 866 463 3786)
Fax: 1 877 FX FESTO (1 877 393 3786)
Email: technical.support@ca.festo.com

USA Customers

Commercial Support:
Tel: 1 800 99 FESTO (1 800 993 3786)
Fax: 1 800 96 FESTO (1 800 963 3786)
Email: customer.service@us.festo.com

Technical Support:

Tel: 1 866 GO FESTO (1 866 463 3786)
Fax: 1 800 96 FESTO (1 800 963 3786)
Email: product.support@us.festo.com