

Clamping-unit cylinders, standard port pattern



Clamping-unit cylinders, standard port pattern

Key features

FESTO

At a glance

Clamping units are generally used for the friction locking of longitudinally variable rods at any position. The attachment of a clamping unit to a pneumatic cylinder allows the piston rod to be clamped. This clamping unit is designed to lock the piston rod securely so that the application of

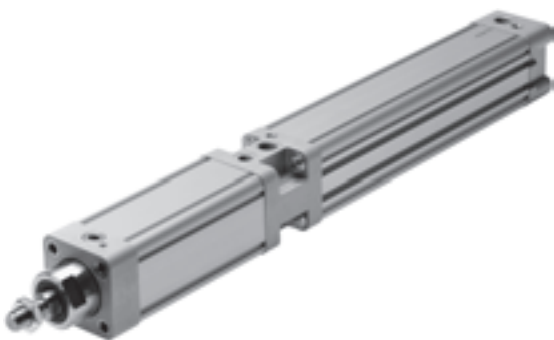
external force on the piston rod does not produce any relative motion. The locking of the piston rod can take place at any position in the stroke, in the end positions as well as the intermediate positions.

- Clamping force is released when compressed air is fed to the clamping unit
- Static holding force of up to 8000 N
- The cylinders comply with ISO 15552, (DIN ISO 6431), except where length is concerned.

Selection aid

Clamping-unit cylinder DNCKE

6



- **For use as holding device (static application):**
 - Holding and clamping in the event of a power failure
 - Protection against pressure failure and pressure drop
 - Securing of the piston rod during intermediate stops for process operations
- Wide selection of mounting options

Clamping-unit cylinder DNCKE-S, for safety-related applications

9



- **For use as holding device (static application):**
 - Holding and clamping in the event of a power failure
 - Protection against pressure failure and pressure drop
 - Securing of the piston rod during intermediate stops for process operations
- **For use as a braking device (dynamic application):**
 - Braking or stopping of movements
 - Suspension of movement upon entering a danger area
- Holding force of the clamping unit is greater than the max. permissible feed force of the cylinder
- Suitable for use in safety-related parts of control systems belonging to category 1 to EN ISO 13849-1 (reliable component). For use in higher categories, additional control measures are required.
- Certified for use in safety-relevant control systems by the BG-Institute for Occupational Safety and Health (Berufsgenossenschaftlichen Institut für Arbeitsschutz – BIA) in Germany
- When used as a braking device, the overtravel must be checked regularly
- CE marking as per EC machinery directive
- Products intended for use in safety-related applications must be selected, sized and arranged in accordance with the risk assessment (EN ISO 14121-1) as well as any other valid standards and regulations

Clamping-unit cylinders, standard port pattern

Type codes

DNCKE – 63 – 100 – PPV – A – S

Type

Double-acting	
DNCKE	Clamping-unit cylinder

Piston Ø [mm]

Stroke [mm]

Cushioning

PPV	Adjustable at both ends
-----	-------------------------

Position sensing

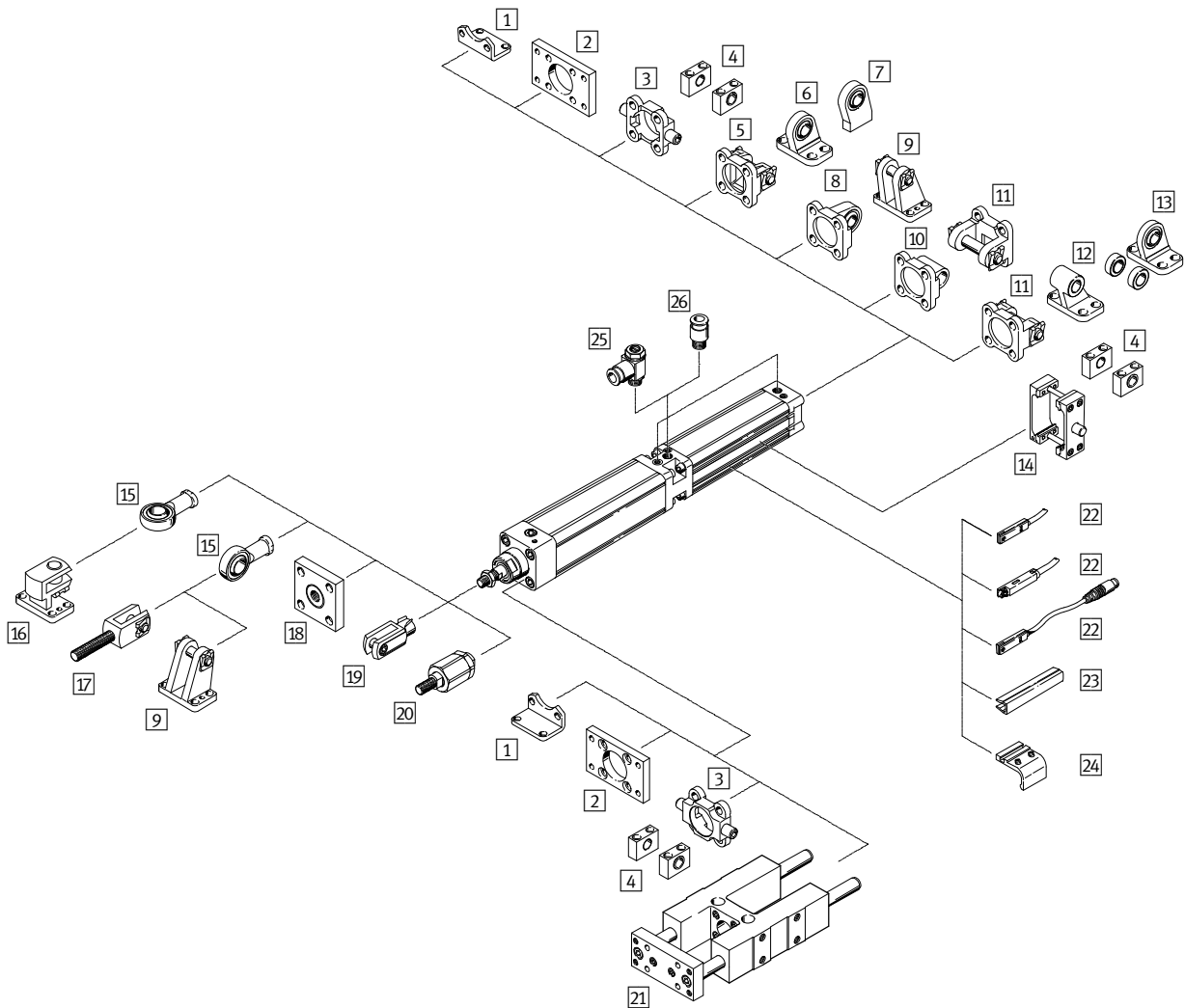
A	For proximity sensing
---	-----------------------

Certification

S	Safety component to Machinery Directive 2006/42/EC. Approved for use in safety-related parts of control systems. Certified by the Institute for Occupational Safety and Health (Berufsgenossenschaftlichen Institut für Arbeitsschutz - BIA) in Germany.
---	--

Clamping-unit cylinders, standard port pattern

Peripherals overview



Clamping-unit cylinders, standard port pattern

Peripherals overview

FESTO

Mounting attachments and accessories				
	Brief description	DNCKE	DNCKE-S	→ Page/Internet
1	Foot mounting HNC	■	■	13
2	Flange mounting FNC	■	■	13
3	Trunnion flange ZNCF	■	–	14
4	Trunnion support LNZG	■	–	15
5	Swivel flange SNC	■	–	15
6	Clevis foot LSNG	■	–	17
7	Clevis foot LSNSG	■	–	17
8	Swivel flange SNCS	■	–	16
9	Clevis foot LBG	■	–	17
10	Swivel flange SNCL	■	–	17
11	Swivel flange SNCB	■	–	16
12	Clevis foot LNG	■	–	17
13	Clevis foot LSN	■	–	17
14	Trunnion mounting kit DAMT	■	–	14
15	Rod eye SGS	■	–	18
16	Right-angle clevis foot LQG	■	–	17
17	Rod clevis SGA	■	–	18
18	Coupling piece KSG	■	–	18
19	Rod clevis SG	■	–	18
20	Self-aligning rod coupler FK	■	■	18
21	Guide unit FENG	■	■	18
22	Proximity sensor SME/SMT	■	■	19
23	Slot cover ABP-5-S	■	■	20
24	Sensor mounting kit SMB-8-FENG	■	■	19
25	One-way flow control valve GRLA	■	■	20
26	Push-in fitting QS	■	■	quick star

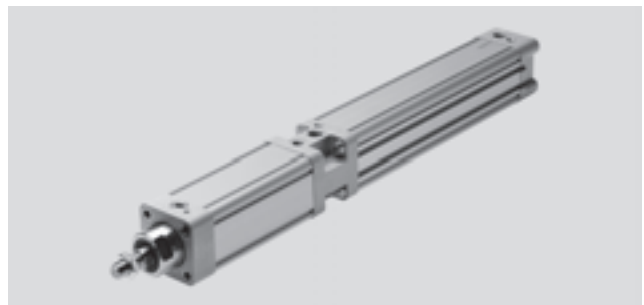
Clamping unit cylinders DNCKE, standard port pattern

Technical data

Function



- - Diameter
40, 63, 100 mm
- - Stroke length
10 ... 2000 mm



Note

Additional measures are required for use in safety-related control systems; in Europe, for example, the standards listed under the EC Machinery Directive must be observed. Without additional measures in accordance with statutory minimum requirements, the product is not suitable for use in safety-related sections of control systems.

General technical data					
Piston Ø		40	63	100	
Pneumatic connection	Cylinder	G1/4	G3/8	G1/2	
	Clamping unit	G1/8	G1/4	G3/8	
Piston rod thread		M12x1.25	M16x1.5	M20x1.5	
Design	Piston				
	Piston rod				
	Cylinder barrel				
Cushioning		Adjustable at both ends			
Cushioning length [mm]		20	22	32	
Position sensing		For proximity sensing			
Type of mounting		Via female thread			
		With accessories			
Clamping type with effective direction		At both ends			
		Clamping via spring force, air to release			
Assembly position		Any			

Note: This product conforms to ISO 1179-1 and to ISO 228-1

Operating and environmental conditions					
Piston Ø		40	63	100	
Operating medium		Compressed air in accordance with ISO 8573-1:2010 [7:4:4]			
Note on operating/pilot medium		Operation with lubricated medium possible (in which case lubricated operation will always be required)			
Operating pressure [bar]		0.6 ... 10			
Min. release pressure [bar]		3.8			
Ambient temperature ¹⁾ [°C]		-20 ... +80			
ATEX		Specified types → www.festo.com			

1) Note operating range of proximity sensors

Weights [g]					
Piston Ø		40	63	100	
Basic weight with 0 mm stroke		2340	5485	18160	
Additional weight per 10 mm stroke		45	73	110	
Moving load with 0 mm stroke		500	935	2150	
Additional load per 10 mm stroke		16	25	40	

Clamping unit cylinders DNCKE, standard port pattern

Technical data

Forces [N]			
Piston Ø	40	63	100
Theoretical force at 6 bar, advancing	754	1870	4712
Theoretical force at 6 bar, retracting	633	1682	4418
Static holding force	1300	3200	8000

Note

The specified holding force refers to a static load. If this value is exceeded, slippage may occur. Dynamic forces occurring during operation must not exceed the static holding force if slippage is to be avoided. The clamping unit is backlash-free in the clamped condition if varying loads are applied to the piston rod.

Activation:
The clamping unit may only be released when equilibrium of forces is present on the piston rod. Otherwise there is a risk of accidents due to the sudden movement of the piston rod. Blocking off the air supply at both ends (e.g. with a 5/3-way valve) does not provide any safety.

Impact energy [J]			
Piston Ø	40	63	100
Max. impact energy at end positions	0.7	1.3	3

Permissible impact velocity:

$$v_{perm.} = \sqrt{\frac{2 \times E_{perm.}}{m_{dead} + m_{load}}}$$

Maximum permissible load:

$$m_{load} = \frac{2 \times E_{perm.}}{v^2} - m_{dead}$$

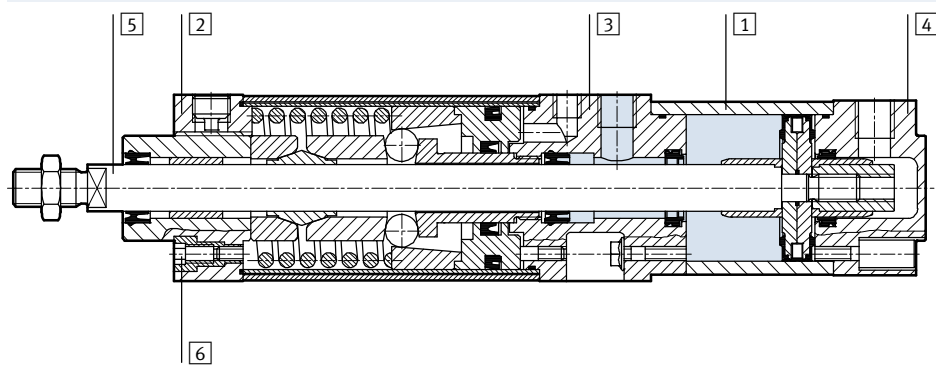
$v_{perm.}$ Permissible impact velocity
 $E_{perm.}$ Max. impact energy
 m_{dead} Moving load (drive)
 m_{load} Moving work load

Note

These specifications represent the maximum values which can be reached. Note the maximum permitted impact energy.

Materials

Sectional view



Cylinder		
1	Housing	Wrought aluminium alloy
2	Bearing cap	Wrought aluminium alloy
3	Connector cap	Wrought aluminium alloy
4	End cap	Die-cast aluminium
5	Piston rod	Tempered steel
6	Flange screws	Tempered steel
-	Seals	Polyurethane, nitrile rubber

Clamping unit cylinders DNCKE-S, standard port pattern

Technical data

Function



- Diameter
40, 63, 100 mm
- Stroke length
10 ... 2000 mm



General technical data				
Piston Ø		40	63	100
Pneumatic connection	Cylinder	G1/4	G3/8	G1/2
	Clamping unit	G1/8	G1/4	G3/8
Piston rod thread		M12x1.25	M16x1.5	M20x1.5
Design		Piston		
		Piston rod		
		Cylinder barrel		
Cushioning		Adjustable at both ends		
Cushioning length	[mm]	20	22	32
Position sensing		For proximity sensing		
Type of mounting		Via female thread		
		With accessories		
Clamping type with effective direction		At both ends		
		Clamping via spring force, air to release		
Assembly position		Any		
Function		Single-channel to EN ISO 13849-1, category 1		
Certification		BIA (Berufsgenossenschaftliches Institut für Arbeitsschutz – BG-Institute for Occupational Safety and Health)		
CE marking (see declaration of conformity)		To EU Machinery Directive		

- Note: This product conforms to ISO 1179-1 and to ISO 228-1

Operating and environmental conditions				
Piston Ø		40	63	100
Operating medium		Compressed air in accordance with ISO 8573-1:2010 [7:4:4]		
Note on operating/pilot medium		Operation with lubricated medium possible (in which case lubricated operation will always be required)		
Operating pressure	[bar]	0.6 ... 8		
Min. release pressure	[bar]	3.8		
Max. permissible test pressure	[bar]	10		
Ambient temperature ¹⁾	[°C]	-10 ... +60		

1) Note operating range of proximity sensors

Weights [g]				
Piston Ø		40	63	100
Basic weight with 0 mm stroke		2340	5485	18160
Additional weight per 10 mm stroke		45	73	110
Moving load with 0 mm stroke		500	935	2150
Additional load per 10 mm stroke		16	25	40

Clamping unit cylinders DNCKE-S, standard port pattern

Technical data

Forces [N]			
Piston \varnothing	40	63	100
Theoretical force at 6 bar, advancing	754	1870	4712
Theoretical force at 6 bar, retracting	633	1682	4418
Static holding force	1300	3200	8000

Note

The specified holding force refers to a static load. If this value is exceeded, slippage may occur. Dynamic forces occurring during operation must not exceed the static holding force if slippage is to be avoided. The clamping unit is backlash-free in the clamped condition if varying loads are applied to the piston rod.

Activation:
The clamping unit may only be released when equilibrium of forces is present on the piston rod. Otherwise there is a risk of accidents due to the sudden movement of the piston rod. Blocking off the air supply at both ends (e.g. with a 5/3-way valve) does not provide any safety.

Theoretical overtravel s as a function of the piston speed v in a vertical assembly position

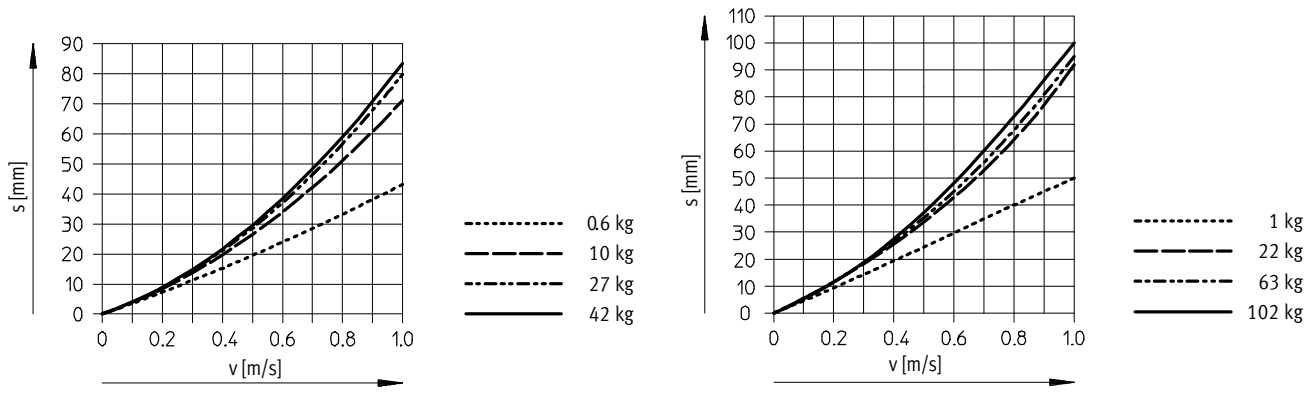
The overtravel is the distance that the piston rod covers between exhausting of the clamping unit and coming to a standstill. It must be determined by the customer when setting up the machine and be compared with the calculated overtravel → DIN EN 999/EN ISO 13849-2. The clamping unit DNCKE-S can be used in safety-related parts of control systems belonging to category 1 (reliable component) as defined by EN ISO 13849-1. For use in higher categories than category 1 to EN ISO 13849-1, the overtravel must be achieved even in the event of faults.

It is dependent on the environmental conditions and stress, e.g.:

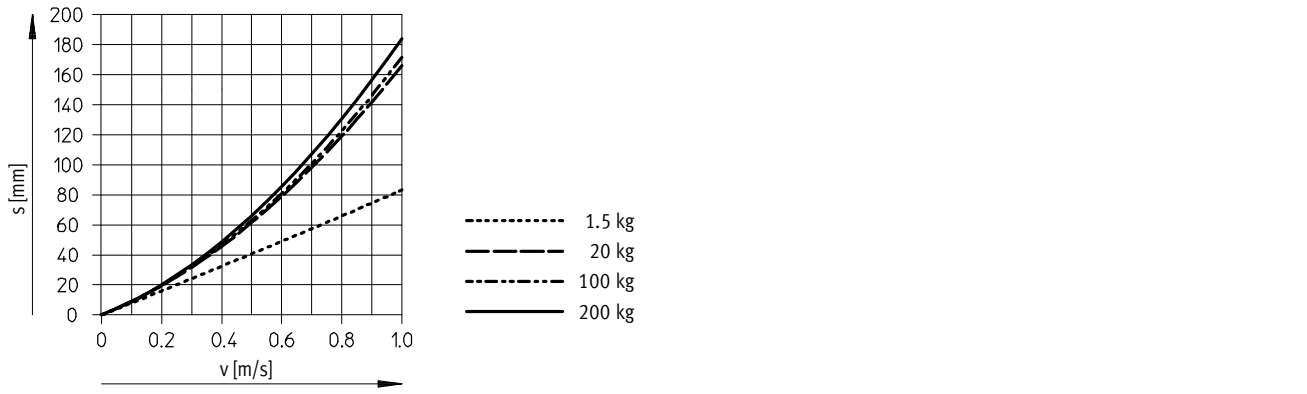
- Operating pressure
- Nominal size of switching valve
- Line length
- Diameter of connecting cable to clamping unit
- Load and speed

The overtravel can be reduced by attaching a quick exhaust valve to the supply port of the clamping unit.

$\varnothing 40$ $\varnothing 63$



$\varnothing 100$



Clamping unit cylinders DNCKE-S, standard port pattern

Technical data

Impact energy [J]			
Piston Ø	40	63	100
Max. impact energy at end positions	0.7	1.3	3


Permissible impact velocity:

$$v_{perm.} = \sqrt{\frac{2 \times E_{perm.}}{m_{dead} + m_{load}}}$$

$v_{perm.}$ Permissible impact velocity
 $E_{perm.}$ Max. impact energy
 m_{dead} Moving load (drive)
 m_{load} Moving work load

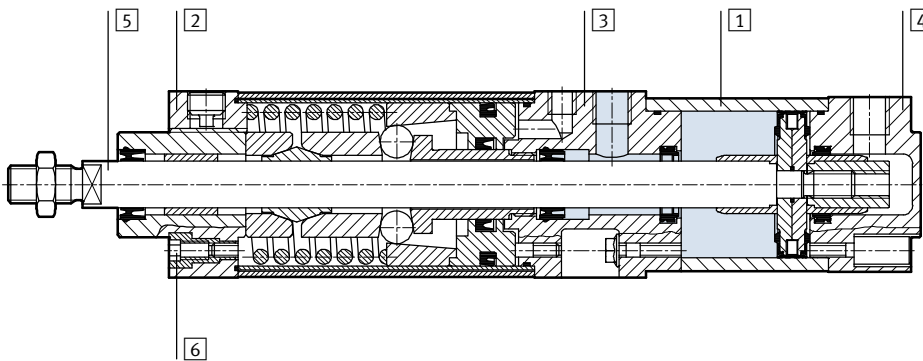
Maximum permissible load:

$$m_{load} = \frac{2 \times E_{perm.}}{v^2} - m_{dead}$$

 - Note
 These specifications represent the maximum values which can be reached. Note the maximum permitted impact energy.

Materials

Sectional view

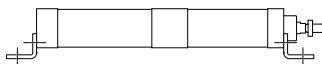


Cylinder		
1	Body	Wrought aluminium alloy
2	Bearing cap	Wrought aluminium alloy
3	Connector cap	Wrought aluminium alloy
4	End cap	Die-cast aluminium
5	Piston rod	Tempered steel
6	Flange screws	Tempered steel
-	Seals	Polyurethane, nitrile rubber

Recommendation for mounting

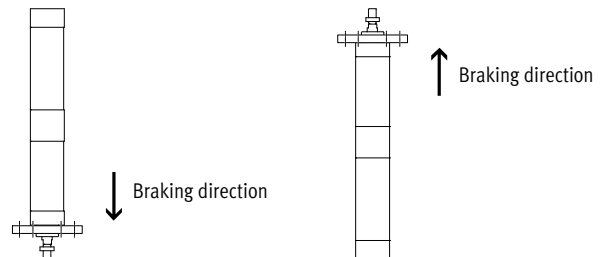
As holding device, horizontal installation

With foot mounting HNC



As braking device, vertical installation

With flange mounting FNC (note braking direction)



Clamping unit cylinders DNCKE-S, standard port pattern

Technical data

FESTO

Dimensions Download CAD data → www.festo.com

1 Socket head screw with female thread for mounting components
 2 Regulating screw for adjustable end-position cushioning
 3 Sensor slot for proximity sensor
 4 Connection to release clamping function
 5 Locking screw

+ = plus stroke length

∅	AM	B	BG	BG1	E	EE	E1	G	G2	G3	J1
[mm]		∅ d11									
40	24	35	16	15	54	G ¹ / ₄	G ¹ / ₈	28.8	22	49.6	2
63	32	45	17	17	80	G ³ / ₈	G ¹ / ₄	34.3	29.5	47.9	7
100	42	55	17	17	126	G ¹ / ₂	G ³ / ₈	38	32.5	46.7	15

∅	J2	J3	J4	KK	L1	L2	L7	MM	PL	PL1	PL2
[mm]								∅			
40	8	6	0	M12x1.25	17.9	114.5	3.6	16	14	21.3	9
63	12.4	10	7	M16x1.5	22.1	121.5	6.6	20	17	14.6	11.8
100	12	10	10	M20x1.5	29.2	131.5	8	25	18.8	16.4	14.4

∅	RT	TG	VA	WH	ZJ	∅C1	∅C2	∅C3	∅C4	∅C5	∅C6
[mm]											
40	M6	38	4	30	277	13	19	6	6	30	8
63	M8	56.5	4	37	315	17	24	8	8	36	10
100	M10	89	4	51	408	22	30	6	10	41	13

Note: This product conforms to ISO 1179-1 and to ISO 228-1

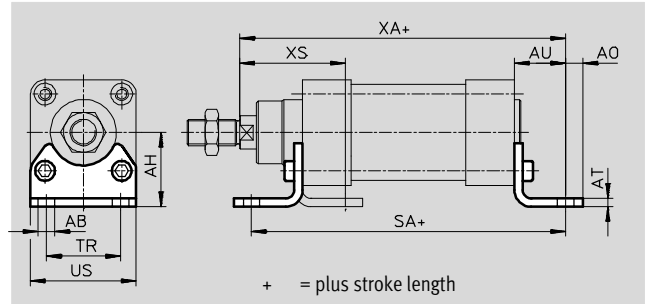
Ordering data		Part No.	Type
Piston ∅ [mm]	Stroke [mm]		
40	10 ... 2000	538239	DNCKE-40-...-PPV-A-S
63	10 ... 2000	538240	DNCKE-63-...-PPV-A-S
100	10 ... 2000	538241	DNCKE-100-...-PPV-A-S

Clamping-unit cylinders, standard port pattern

Accessories

Foot mounting HNC

Material:
Galvanised steel
Free of copper and PTFE

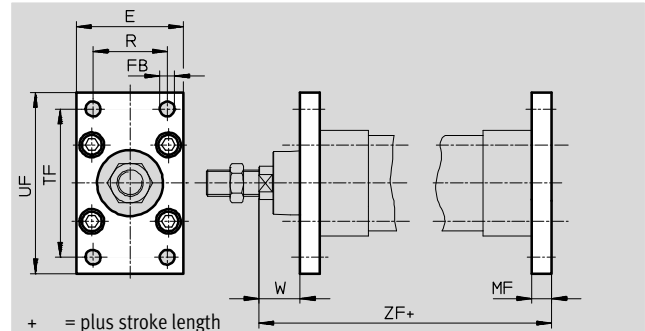


Dimensions and ordering data														
For \varnothing	AB \varnothing	AH	AO	AT	AU	SA	TR	US	XA	XS	CRC ¹⁾	Weight [g]	Part No.	Type
[mm]														
40	10	36	9	4	28	303	36	54	305	53	2	193	174370	HNC-40
63	10	50	12.5	5	32	342	50	75	347	63	2	436	174372	HNC-63
100	14.5	71	17.5	6	41	439	75	110	449	86	2	1009	174374	HNC-100

1) Corrosion resistance class CRC 2 to Festo standard FN 940070
Moderate corrosion stress. Indoor applications in which condensation may occur. External visible parts with primarily decorative requirements for the surface and which are in direct contact with the ambient atmosphere typical for industrial applications.

Flange mounting FNC

Material:
Galvanised steel
Free of copper and PTFE
RoHS-compliant



Dimensions and ordering data													
For \varnothing	E	FB \varnothing	MF	R	TF	UF	W	ZF	CRC ¹⁾	Weight [g]	Part No.	Type	
[mm]		H13											
40	54	9	10	36	72	90	20	287	1	291	174377	FNC-40	
63	75	9	12	50	100	120	25	327	1	679	174379	FNC-63	
100	110	14	16	75	150	175	35	424	1	2041	174381	FNC-100	

1) Corrosion resistance class CRC 1 to Festo standard FN 940070
Low corrosion stress. For dry indoor applications or transport and storage protection. Also applies to parts behind covers, in the non-visible interior area, and parts which are covered in the application (e.g. drive trunnions).

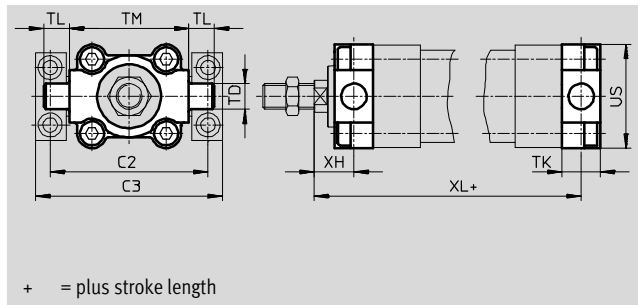
Clamping-unit cylinders, standard port pattern



Accessories

Trunnion flange ZNCF

Material:
Special steel casting
Free of copper and PTFE
RoHS-compliant



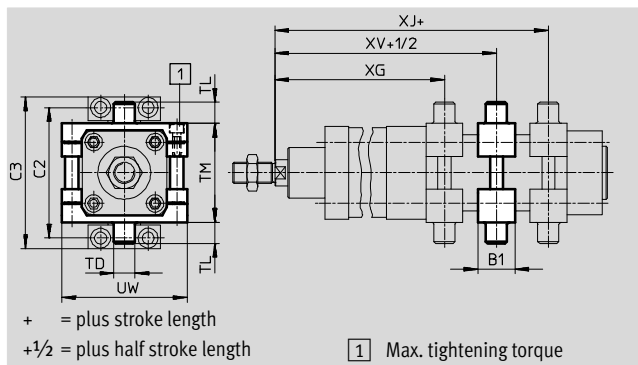
Dimensions and ordering data													
For Ø	C2	C3	TD	TK	TL	TM	US	XH	XL	CRC ¹⁾	Weight	Part No.	Type
[mm]			Ø								[g]		
40	87	105	16	20	16	63	54	20	287	2	285	174412	ZNCF-40
63	116	136	20	24	20	90	75	25	327	2	687	174414	ZNCF-63
100	164	189	25	38	25	132	110	32	427	2	2254	174416	ZNCF-100

1) Corrosion resistance class CRC 2 to Festo standard FN 940070
Moderate corrosion stress. Indoor applications in which condensation may occur. External visible parts with primarily decorative requirements for the surface and which are in direct contact with the ambient atmosphere typical for industrial applications.

Trunnion mounting kit DAMT

The mounting kit can be attached at any position along the profile barrel of a cylinder.

Material:
Tempered steel
Free of copper and PTFE
RoHS-compliant



Dimensions and ordering data							
For Ø	B1	C2	C3	TD	TL	TM	UW
[mm]				Ø			
40	32	87	105	16	16	63	75
63	41	116	136	20	20	90	105
100	48	164	189	25	25	132	145

For Ø	XG	XJ	XV	Max. tightening torque	CRC ¹⁾	Weight	Part No.	Type
[mm]				[Nm]		[g]		
40	228.1	232.2	230.2	8+1	2	388	2214899	DAMT-V1-40-A
63	261.9	260.2	261	18+2	2	911	2214971	DAMT-V1-63-A
100	347.2	346	346.6	28+2	2	2095	163530	DAMT-V1-100-A

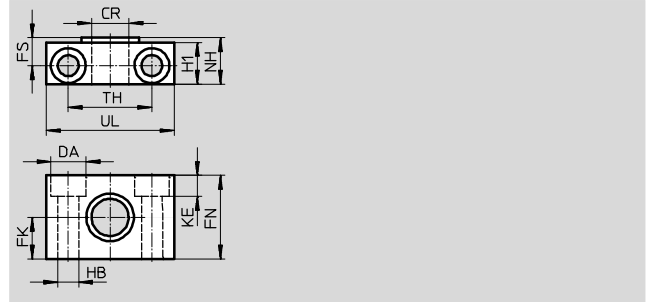
1) Corrosion resistance class CRC 2 to Festo standard FN 940070
Moderate corrosion stress. Indoor applications in which condensation may occur. External visible parts with primarily decorative requirements for the surface and which are in direct contact with the ambient atmosphere typical for industrial applications.

Clamping-unit cylinders, standard port pattern

Accessories

Trunnion support LNZG

Material:
Trunnion support:
Anodised aluminium
Plain bearing:
Plastic
Free of copper and PTFE
RoHS-compliant

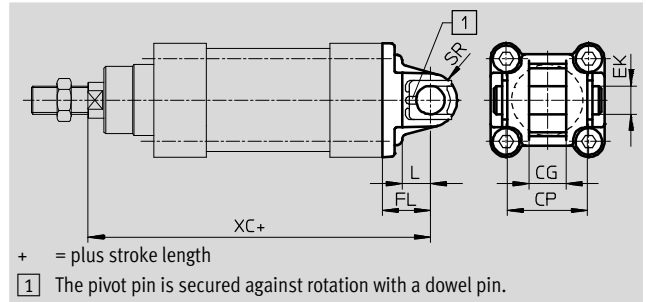


Dimensions and ordering data														Weight	Part No.	Type
For \varnothing	CR	DA	FK	FN	FS	H1	HB	KE	NH	TH	UL	CRC ¹⁾				
[mm]	\varnothing D11	\varnothing H13	\varnothing ± 0.1				\varnothing H13			± 0.2				[g]		
40	16	15	18	36	12	18	9	9	21	36	55	2		129	32960	LNZG-40/50
63	20	18	20	40	13	20	11	11	23	42	65	2		178	32961	LNZG-63/80
100	25	20	25	50	16	24.5	14	13	28.5	50	75	2		306	32962	LNZG-100/125

1) Corrosion resistance class CRC 2 to Festo standard FN 940070
Moderate corrosion stress. Indoor applications in which condensation may occur. External visible parts with primarily decorative requirements for the surface and which are in direct contact with the ambient atmosphere typical for industrial applications.

Swivel flange SNC

Material:
Die-cast aluminium
Free of copper and PTFE
RoHS-compliant



Dimensions and ordering data											Weight	Part No.	Type
For \varnothing	CG	CP	EK	FL	L	SR	XC	CRC ¹⁾					
[mm]	H14	d12	\varnothing	± 0.2							[g]		
40	16	40	12	25	16	12	302	2			140	174384	SNC-40
63	21	51	16	32	21	16	347	2			331	174386	SNC-63
100	25	75	20	41	27	20	449	2			865	174388	SNC-100

1) Corrosion resistance class CRC 2 to Festo standard FN 940070
Moderate corrosion stress. Indoor applications in which condensation may occur. External visible parts with primarily decorative requirements for the surface and which are in direct contact with the ambient atmosphere typical for industrial applications.

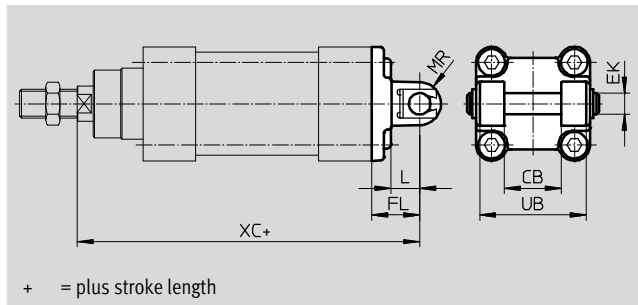
Clamping-unit cylinders, standard port pattern

Accessories



Swivel flange SNCB

Material:
Die-cast aluminium
Free of copper and PTFE
RoHS-compliant

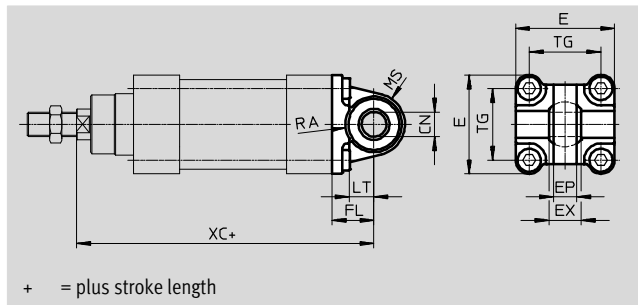
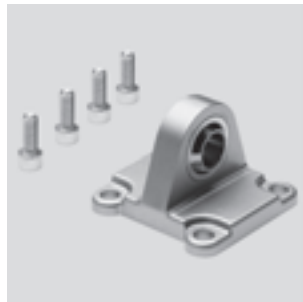


Dimensions and ordering data												
For \varnothing	CB	EK	FL	L	ML	MR	UB	XC	CRC ¹⁾	Weight	Part No.	Type
[mm]	H14	\varnothing e8	± 0.2				h14			[g]		
40	28	12	25	16	63	12	52	302	2	155	174391	SNCB-40
63	40	16	32	21	83	16	70	347	2	375	174393	SNCB-63
100	60	20	41	27	127	20	110	449	2	1035	174395	SNCB-100

1) Corrosion resistance class CRC 2 to Festo standard FN 940070
Moderate corrosion stress. Indoor applications in which condensation may occur. External visible parts with primarily decorative requirements for the surface and which are in direct contact with the ambient atmosphere typical for industrial applications.

Swivel flange SNCS

Material:
SNCS 40 ... 63:
Die-cast aluminium
SNCS 100:
Wrought aluminium alloy
Free of copper and PTFE
RoHS-compliant



Dimensions and ordering data														
For \varnothing	CN	E	EP	EX	FL	LT	MS	RA	TG	XC	CRC ¹⁾	Weight	Part No.	Type
[mm]	\varnothing		± 0.2		± 0.2			+1				[g]		
40	12 ^{+0.015}	54 _{-0.5}	12	16	25	16	17 ^{+0.5}	17.5	38	160	2	122	174398	SNCS-40
63	16 ^{+0.015}	75 _{-0.6}	15	21	32	21	23 _{-0.5}	23	56.5	190	2	281	174400	SNCS-63
100	20 ^{+0.018}	109 ^{+1/-0.7}	18	25	41	27	30 ± 0.5	95	89	230	2	683	174402	SNCS-100

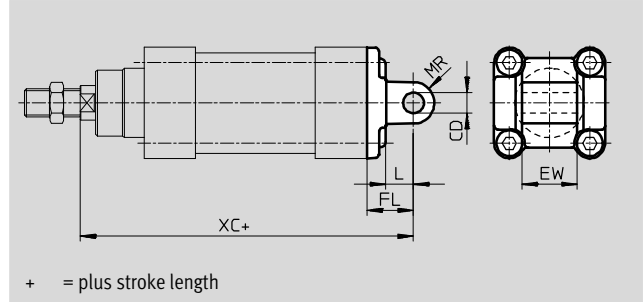
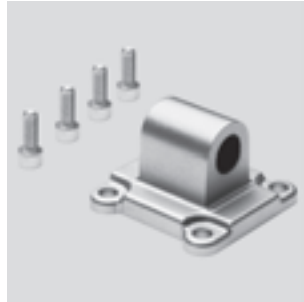
1) Corrosion resistance class CRC 2 to Festo standard FN 940070
Moderate corrosion stress. Indoor applications in which condensation may occur. External visible parts with primarily decorative requirements for the surface and which are in direct contact with the ambient atmosphere typical for industrial applications.

Clamping-unit cylinders, standard port pattern

Accessories

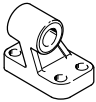
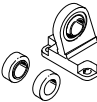
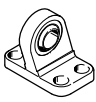

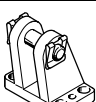
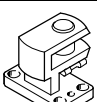
Swivel flange SNCL

Material:
Die-cast aluminium
Free of copper and PTFE
RoHS-compliant



Dimensions and ordering data										
For Ø	CD	EW	FL	L	MR	XC	CRC ¹⁾	Weight	Part No.	Type
[mm]	Ø	-0.2/-0.6	±0.2					[g]		
40	12	28	25	16	12	302	2	95	174405	SNCL-40
63	16	40	32	21	16	347	2	225	174407	SNCL-63
100	20	60	41	27	20	449	2	606	174409	SNCL-100


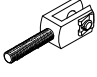
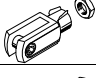
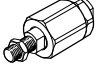
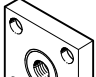
1) Corrosion resistance class CRC 2 to Festo standard FN 940070
Moderate corrosion stress. Indoor applications in which condensation may occur. External visible parts with primarily decorative requirements for the surface and which are in direct contact with the ambient atmosphere typical for industrial applications.

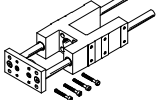
Ordering data – Mounting attachments				Technical data → Internet: mounting attachment			
Designation	For Ø	Part No.	Type	Designation	For Ø	Part No.	Type
Clevis foot LNG				Clevis foot LSN			
	40	33891	LNG-40		40	5562	LSN-40
	63	33893	LNG-63		63	5564	LSN-63
	100	33895	LNG-100		100	5566	LSN-100
Clevis foot LSNG				Clevis foot LSNSG			
	40	31741	LSNG-40		40	31748	LSNSG-40
	63	31743	LSNG-63		63	31750	LSNSG-63
	100	31745	LSNG-100		100	31752	LSNSG-100
Clevis foot LBG				Clevis foot, right-angled LQG			
	40	31762	LBG-40		40	31769	LQG-40
	63	31764	LBG-63		63	31771	LQG-63
	100	31766	LBG-100		100	31773	LQG-100

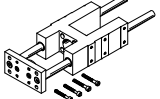
Clamping-unit cylinders, standard port pattern

Accessories

FESTO

Ordering data – Piston rod attachments				Technical data → Internet: piston rod attachment			
Designation	For Ø	Part No.	Type	Designation	For Ø	Part No.	Type
Rod eye SGS				Rod clevis SGA			
	40	9262	SGS-M12x1,25		40	10767	SGA-M12x1,25
	63	9263	SGS-M16x1,5		63	10768	SGA-M16x1,5
	100	9264	SGS-M20x1,5		100	10769	SGA-M20x1,5
Rod clevis SG				Self-aligning rod coupler FK			
	40	6145	SG-M12x1,25		40	6141	FK-M12x1,25
	63	6146	SG-M16x1,5		63	6142	FK-M16x1,5
	100	6147	SG-M20x1,5		100	6143	FK-M20x1,5
Coupling piece KSG							
	40	32964	KSG-M12x1,25				
	63	32965	KSG-M16x1,5				
	100	32966	KSG-M20x1,5				

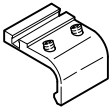
Ordering data – Guide units for fixed strokes (recirculating ball bearing guide only)				Technical data → Internet: feng			
	Stroke [mm]	Part No.	Type	Stroke [mm]	Part No.	Type	
	For Ø 40 mm			For Ø 63 mm			
	10 ... 50	34499	FENG-40-50-KF	10 ... 50	34513	FENG-63-50-KF	
	10 ... 100	34500	FENG-40-100-KF	10 ... 100	34514	FENG-63-100-KF	
	10 ... 160	34501	FENG-40-160-KF	10 ... 160	34515	FENG-63-160-KF	
	10 ... 200	34502	FENG-40-200-KF	10 ... 200	34516	FENG-63-200-KF	
	10 ... 250	34503	FENG-40-250-KF	10 ... 250	34517	FENG-63-250-KF	
	10 ... 320	34504	FENG-40-320-KF	10 ... 320	34518	FENG-63-320-KF	
	10 ... 400	150291	FENG-40-400-KF	10 ... 400	34519	FENG-63-400-KF	
	10 ... 500	34505	FENG-40-500-KF	10 ... 500	34520	FENG-63-500-KF	
	For Ø 100 mm						
	10 ... 50	34529	FENG-100-50-KF				
	10 ... 100	34530	FENG-100-100-KF				
	10 ... 160	34531	FENG-100-160-KF				
	10 ... 200	34532	FENG-100-200-KF				
	10 ... 250	34533	FENG-100-250-KF				
	10 ... 320	34534	FENG-100-320-KF				
	10 ... 400	34535	FENG-100-400-KF				
	10 ... 500	34536	FENG-100-500-KF				

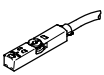
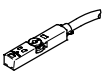
Ordering data – Guide units for variable strokes				Technical data → Internet: feng			
	For Ø [mm]	Stroke [mm]	with recirculating ball bearing guide Part No. Type	with plain bearing guide Part No. Type			
	40	10 ... 500	34488 FENG-40-...-KF	34482	FENG-40-...-GF		
	63	10 ... 500	34490 FENG-63-...-KF	34484	FENG-63-...-GF		
	100	10 ... 500	34492 FENG-100-...-KF	34486	FENG-100-...-GF		

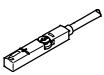
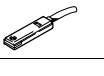

Clamping-unit cylinders, standard port pattern

Accessories

FESTO



Ordering data – Mounting kits for proximity sensors SMT-8		Technical data → Internet: smb	
	For Ø [mm]	Part No.	Type
	40	175705	SMB-8-FENG-32/40
	63	175706	SMB-8-FENG-50/63
	100	175707	SMB-8-FENG-80/100


Ordering data – Proximity sensors for T-slot, magneto-resistive					Technical data → Internet: smt	
	Type of mounting	Switch output	Electrical connection	Cable length [m]	Part No.	Type
N/O contact						
	Insertable in the slot from above, flush with cylinder profile, short design	PNP	Cable, 3-wire	2.5	574335	SMT-8M-A-PS-24V-E-2,5-OE
			Plug M8x1, 3-pin	0.3	574334	SMT-8M-A-PS-24V-E-0,3-M8D
		NPN	Cable, 3-wire	2.5	574338	SMT-8M-A-NS-24V-E-2,5-OE
			Plug M8x1, 3-pin	0.3	574339	SMT-8M-A-NS-24V-E-0,3-M8D
N/C contact						
	Insertable in the slot from above, flush with cylinder profile, short design	PNP	Cable, 3-wire	7.5	574340	SMT-8M-A-PO-24V-E-7,5-OE


Ordering data – Proximity sensors for T-slot, magnetic reed					Technical data → Internet: sme	
	Type of mounting	Switch output	Electrical connection	Cable length [m]	Part No.	Type
N/O contact						
	Insertable in the slot from above, flush with cylinder profile	Contacting	Cable, 3-wire	2.5	543862	SME-8M-DS-24V-K-2,5-OE
			Cable, 3-wire	5.0	543863	SME-8M-DS-24V-K-5,0-OE
			Cable, 2-wire	2.5	543872	SME-8M-ZS-24V-K-2,5-OE
			Plug M8x1, 3-pin	0.3	543861	SME-8M-DS-24V-K-0,3-M8D
	Insertable in the slot lengthwise, flush with the cylinder profile	Contacting	Cable, 3-wire	2.5	150855	SME-8-K-LED-24
			Plug M8x1, 3-pin	0.3	150857	SME-8-S-LED-24
N/C contact						
	Insertable in the slot lengthwise, flush with the cylinder profile	Contacting	Cable, 3-wire	7.5	160251	SME-8-O-K-LED-24

Clamping-unit cylinders, standard port pattern

Accessories

Ordering data – Connecting cables				Technical data → Internet: nebu	
	Electrical connection, left	Electrical connection, right	Cable length [m]	Part No.	Type
	Straight socket, M8x1, 3-pin	Cable, open end, 3-wire	2.5	541333	NEBU-M8G3-K-2.5-LE3
			5	541334	NEBU-M8G3-K-5-LE3
	Straight socket, M12x1, 5-pin	Cable, open end, 3-wire	2.5	541363	NEBU-M12G5-K-2.5-LE3
			5	541364	NEBU-M12G5-K-5-LE3
	Angled socket, M8x1, 3-pin	Cable, open end, 3-wire	2.5	541338	NEBU-M8W3-K-2.5-LE3
			5	541341	NEBU-M8W3-K-5-LE3
	Angled socket, M12x1, 5-pin	Cable, open end, 3-wire	2.5	541367	NEBU-M12W5-K-2.5-LE3
			5	541370	NEBU-M12W5-K-5-LE3

Ordering data – Slot cover for T-slot					
	Assembly	Length [m]	Part No.	Type	
	Insertable from above	2x 0.5	151680	ABP-5-S	

Ordering data – One-way flow control valves				Technical data → Internet: grla	
	Connection		Material	Part No.	Type
	Thread	For tubing OD			
	G1/8	3	Metal design	193142	GRLA-1/8-QS-3-D
		4		193143	GRLA-1/8-QS-4-D
		6		193144	GRLA-1/8-QS-6-D
		8		193145	GRLA-1/8-QS-8-D
	G1/4	6		193146	GRLA-1/4-QS-6-D
		8		193147	GRLA-1/4-QS-8-D
		10		193148	GRLA-1/4-QS-10-D
	G3/8	6		193149	GRLA-3/8-QS-6-D
		8		193150	GRLA-3/8-QS-8-D
		10		193151	GRLA-3/8-QS-10-D
	G1/2	12		193152	GRLA-1/2-QS-12-D

Product Range and Company Overview

A Complete Suite and Company Overview

Our experienced engineers provide complete support at every stage of your development process, including: conceptualization, analysis, engineering, design, assembly, documentation, validation, and production.



Custom Automation Components
Complete custom engineered solutions



Custom Control Cabinets
Comprehensive engineering support and on-site services



Complete Systems
Shipment, stocking and storage services

The Broadest Range of Automation Components

With a comprehensive line of more than 30,000 automation components, Festo is capable of solving the most complex automation requirements.



Electromechanical
Electromechanical actuators, motors, controllers & drivers



Pneumatics
Pneumatic linear and rotary actuators, valves, and air supply



PLCs and I/O Devices
PLC's, operator interfaces, sensors and I/O devices

Supporting Advanced Automation... As No One Else Can!

Festo is a leading global manufacturer of pneumatic and electromechanical systems, components and controls for industrial automation, with more than 16,000 employees in 60 national headquarters serving more than 180 countries. For more than 80 years, Festo has continuously elevated the state of manufacturing with innovations and optimized motion control solutions that deliver higher performing, more profitable automated manufacturing and processing equipment. Our dedication to the advancement of automation extends beyond technology to the education and development of current and future automation and robotics designers with simulation tools, teaching programs, and on-site services.

Quality Assurance, ISO 9001 and ISO 14001 Certifications

Festo Corporation is committed to supply all Festo products and services that will meet or exceed our customers' requirements in product quality, delivery, customer service and satisfaction.

To meet this commitment, we strive to ensure a consistent, integrated, and systematic approach to management that will meet or exceed the requirements of the ISO 9001 standard for Quality Management and the ISO 14001 standard for Environmental Management.

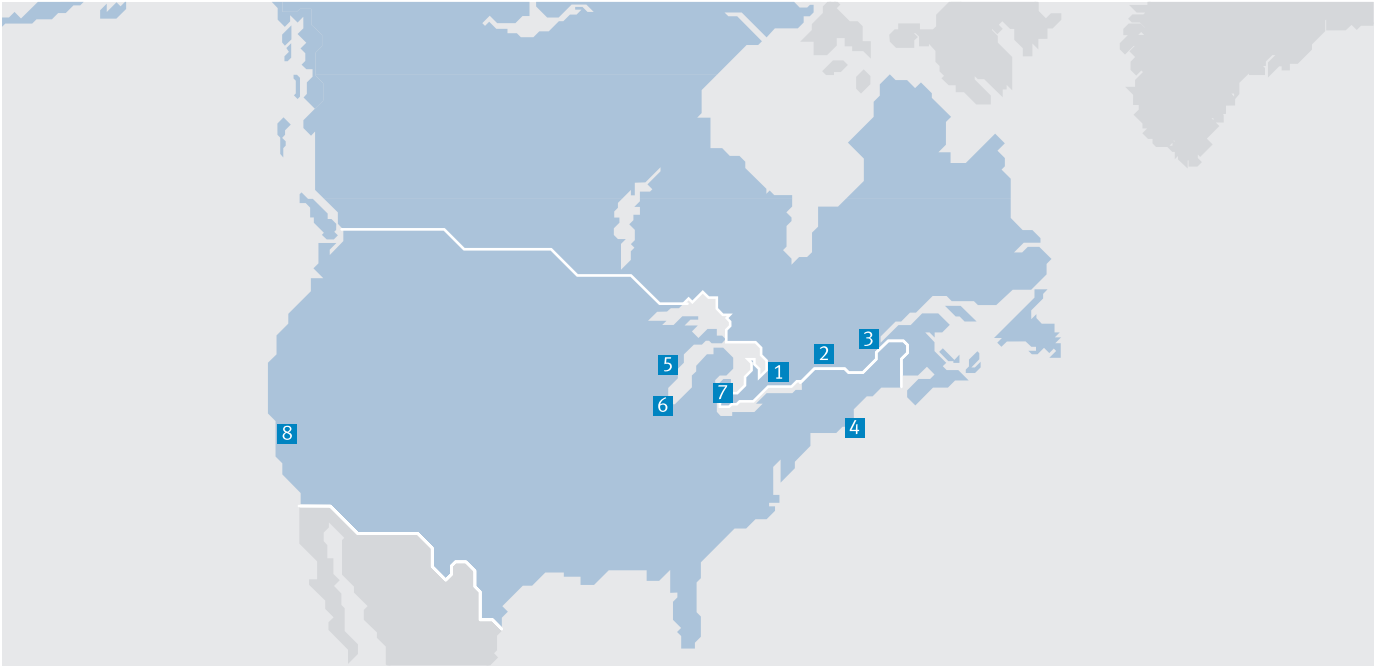


© Copyright 2013, Festo Corporation. While every effort is made to ensure that all dimensions and specifications are correct, Festo cannot guarantee that publications are completely free of any error, in particular typing or printing errors. Accordingly, Festo cannot be held responsible for the same. For Liability and Warranty conditions, refer to our "Terms and Conditions of Sale", available from your local Festo office. All rights reserved. No part of this publication may be reproduced, distributed, or transmitted in any form or by any means, electronic, mechanical, photocopying or otherwise, without the prior written permission of Festo. All technical data subject to change according to technical update.



Printed on recycled paper at New Horizon Graphic, Inc., FSC certified as an environmental friendly printing plant.

Festo North America



**1 Festo Canada
Headquarters
Festo Inc.**
5300 Explorer Drive
Mississauga, ON
L4W 5G4

2 Montréal
5600, Trans-Canada
Pointe-Claire, QC
H9R 1B6

3 Québec City
2930, rue Watt#117
Québec, QC
G1X 4G3



**4 Festo United States
Headquarters
Festo Corporation**
395 Moreland Road
Hauppauge, NY
11788

5 Appleton
North 922 Tower View Drive, Suite N
Greenville, WI
54942

7 Detroit
1441 West Long Lake Road
Troy, MI
48098

6 Chicago
85 W Algonquin - Suite 340
Arlington Heights, IL
60005

8 Silicon Valley
4935 Southfront Road, Suite F
Livermore, CA
94550

Festo Regional Contact Center

Canadian Customers

Commercial Support:
Tel: 1 877 GO FESTO (1 877 463 3786)
Fax: 1 877 FX FESTO (1 877 393 3786)
Email: festo.canada@ca.festo.com

Technical Support:
Tel: 1 866 GO FESTO (1 866 463 3786)
Fax: 1 877 FX FESTO (1 877 393 3786)
Email: technical.support@ca.festo.com

USA Customers

Commercial Support:
Tel: 1 800 99 FESTO (1 800 993 3786)
Fax: 1 800 96 FESTO (1 800 963 3786)
Email: customer.service@us.festo.com

Technical Support:
Tel: 1 866 GO FESTO (1 866 463 3786)
Fax: 1 800 96 FESTO (1 800 963 3786)
Email: product.support@us.festo.com

Subject to change

Internet: www.festo.com/us