

Standard cylinders DNC-C180, to ISO 15552



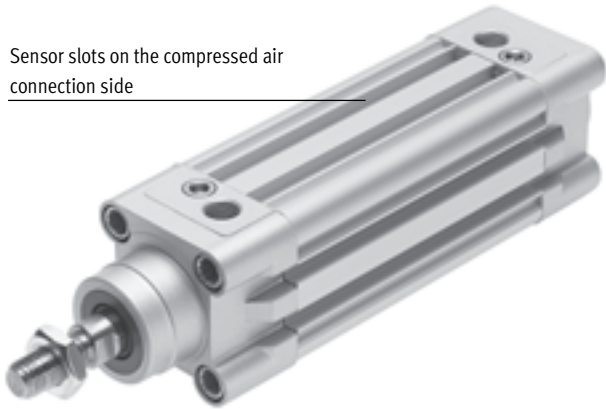
Standard cylinders DNC-C180, to ISO 15552

Key features

FESTO

At a glance

Sensor slots on the compressed air connection side



- Standards-based cylinders to ISO 15552 (corresponds to the withdrawn standards ISO 6431, DIN ISO 6431, VDMA 24 562, NF E 49 003.1 and UNI 10290)



DIN

VDMA

- The sensor slots on the compressed air connection side are sealed by the covers at the barrel ends, which means that the proximity sensors can only be inserted from above. End-position sensing via these slots is therefore only possible in combination with the proximity sensors SME/SMT-8M.
- The modern design and construction save up to 11% on fitting space compared to ordinary standard cylinders, thus permitting a considerably more compact system design.

High quality product

- Proven technology, compact, solid and reliable
- Excellent running characteristics thanks to efficient piston system
- Simple and finely adjustable end-position cushioning thanks to new PPV adjusting screw
- When an ideal setting has been found, imprinted scale ensures easy reproducibility

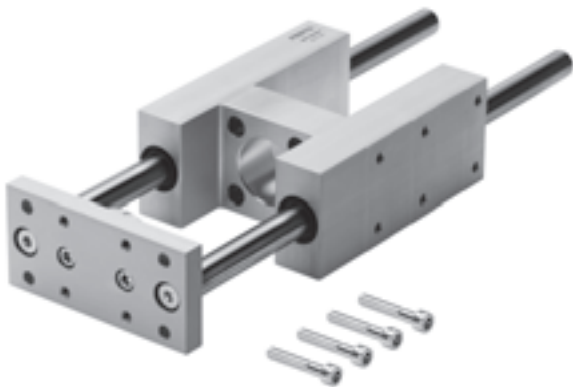
Contactless sensing

- The proximity sensors fit flush in the profile slot. On the one hand, this does away with the need for additional mounting kits and on the other, it protects the proximity sensor against mechanical damage.

Easy to mount

- Wide selection of mounting options
- All accessories and mounting attachments from the DNC range can be used

Accessories



Guide units protect standard cylinders from torsion when these are subjected to high torque loads. They provide high-precision guidance for handling applications.

The arrangement of the sensor slots on the compressed air connection side means that no additional kit is required for sensing the end positions in combination with the guide unit.

Standard cylinders DNC-C180, to ISO 15552

Type codes

DNC - 80 - 320 - PPV - A - C180

Type

| | |
|---------------|-------------------|
| Double-acting | |
| DNC | Standard cylinder |

Piston Ø [mm]

Stroke [mm]

Cushioning

| | |
|-----|---|
| PPV | Pneumatic cushioning, adjustable at both ends |
|-----|---|

Position sensing

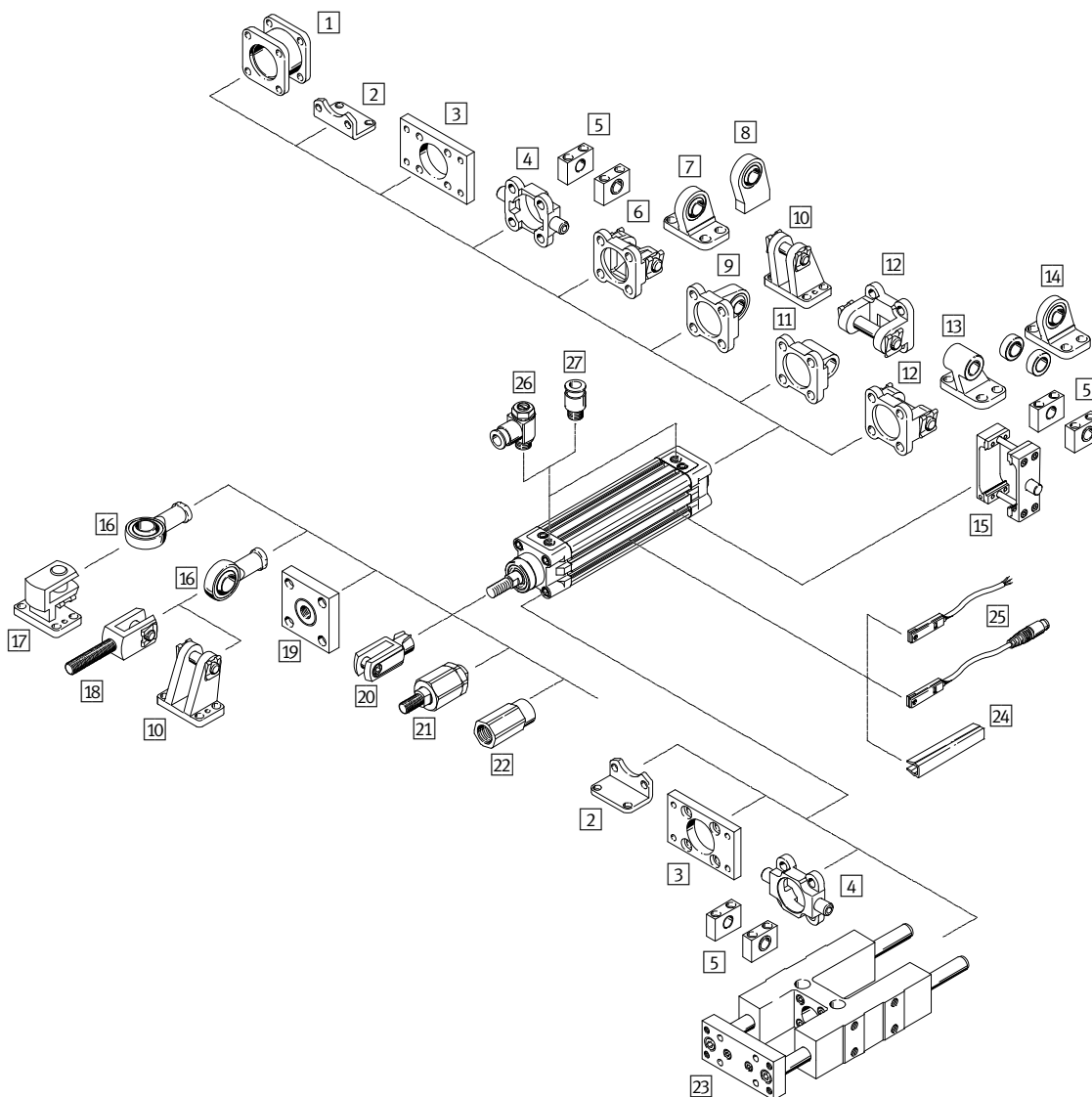
| | |
|---|----------------------|
| A | Via proximity sensor |
|---|----------------------|

Variant

| | |
|------|--|
| C180 | Sensor slots on the compressed air connection side |
|------|--|

Standard cylinders DNC-C180, to ISO 15552

Peripherals overview



| Mounting attachments and accessories | | | |
|--------------------------------------|---------------------------------|--|----|
| | Description | → Page/ Internet | |
| 1 | Multi-position kit DPNC | For connecting two cylinders with identical piston diameters to form a multi-position cylinder | 10 |
| 2 | Foot mounting HNC/CRHNC | For bearing or end caps | 11 |
| 3 | Flange mounting FNC/CRFNG | For bearing or end caps | 12 |
| 4 | Trunnion flange ZNC/CRZNG | For bearing or end caps | 13 |
| 5 | Trunnion support LNZG/CRLNZG | – | 15 |
| 6 | Swivel flange SNC | For end caps | 16 |
| 7 | Clevis foot LSNG | With spherical bearing | 19 |
| 8 | Clevis foot LSNSG | Weld-on, with spherical bearing | 19 |

Standard cylinders DNC-C180, to ISO 15552

Peripherals overview

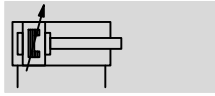
| Mounting attachments and accessories | | |
|--------------------------------------|--------------------------------------|--|
| | Description | → Page/ Internet |
| 9 | Swivel flange SNCS | With spherical bearing for end caps 18 |
| 10 | Clevis foot LBG | – 19 |
| 11 | Swivel flange SNCL | For end caps 18 |
| 12 | Swivel flange SNCB/SNCB-...-R3 | For end caps 17 |
| 13 | Clevis foot LNG/CRLNG | – 19 |
| 14 | Clevis foot LSN | With spherical bearing 19 |
| 15 | Trunnion mounting kit DAMT | For mounting anywhere along the cylinder profile barrel 14 |
| 16 | Rod eye SGS/CRSGS | With spherical bearing 20 |
| 17 | Right-angle clevis foot LQG | – 19 |
| 18 | Rod clevis SGA | With male thread 20 |
| 19 | Coupling piece KSG | For compensating for radial deviations 20 |
| | Coupling piece KSZ | For cylinders with a non-rotating piston rod to compensate for radial deviations 20 |
| 20 | Rod clevis SG/CRSG | Permits a swivelling movement of the cylinder in one plane 20 |
| 21 | Self-aligning rod coupler FK/CRFK | For compensating radial and angular deviations 20 |
| 22 | Adapter AD | For fitting a suction cup on a hollow cylinder piston rod 20 |
| 23 | Guide unit FENG | For protecting standard cylinders against rotation at high torque loads 21 |
| 24 | Slot cover ABP-5-S | For protecting the sensor cable and keeping dirt out of the sensor slots 21 |
| 25 | Proximity sensor SME/SMT-8M | Can be integrated in the cylinder profile barrel 22 |
| 26 | One-way flow control valve GRLA | For regulating speed 22 |
| 27 | Push-in fitting QS | For connecting compressed air tubing with standard O.D. quick star |

Standard cylinders DNC-C180, to ISO 15552

Technical data

FESTO

Function



DIN

VDMA



Ø - Diameter
32 ... 100 mm

www.festo.com

l - Stroke length
2 ... 2000 mm

Wearing parts kits
→ 24

| General technical data | | | | | | |
|------------------------|---|-------------------------------|-------------------------------|-------------------------------|-------------------------------|-------------------------------|
| Piston Ø | 32 | 40 | 50 | 63 | 80 | 100 |
| Pneumatic connection | G ¹ / ₈ | G ¹ / ₄ | G ¹ / ₄ | G ³ / ₈ | G ³ / ₈ | G ¹ / ₂ |
| Piston rod thread | M10x1.25 | M12x1.25 | M16x1.5 | M16x1.5 | M20x1.5 | M20x1.5 |
| Design | Piston | | | | | |
| | Piston rod | | | | | |
| | Profile barrel | | | | | |
| Cushioning | Elastic cushioning rings/pads at both ends | | | | | |
| | Pneumatic cushioning, adjustable at both ends | | | | | |
| Cushioning length [mm] | 20 | 20 | 22 | 22 | 32 | 32 |
| Position sensing | Via proximity sensor | | | | | |
| Type of mounting | Via female thread | | | | | |
| | Via accessories | | | | | |
| Mounting position | Any | | | | | |

⚠ Note: This product conforms to ISO 1179-1 and to ISO 228-1

| Operating and environmental conditions | |
|--|--|
| Operating medium | Compressed air in accordance with ISO 8573-1:2010 [7:4:4] |
| Note on operating/pilot medium | Operation with lubricated medium possible (in which case lubricated operation will always be required) |
| Operating pressure [bar] | 0.6 ... 12 |
| Ambient temperature ¹⁾ [°C] | -20 ... +80 |
| Corrosion resistance class CRC ²⁾ | 2 |

1) Note operating range of proximity sensors.

2) Corrosion resistance class CRC 2 to Festo standard FN 940070

Moderate corrosion stress. Indoor applications in which condensation may occur. External visible parts with primarily decorative requirements for the surface and which are in direct contact with the ambient atmosphere typical for industrial applications.

| Force [N] and impact energy [J] | | | | | | |
|---|-----|-----|------|------|------|------|
| Piston Ø | 32 | 40 | 50 | 63 | 80 | 100 |
| Theoretical force at 6 bar, advancing | 483 | 754 | 1178 | 1870 | 3016 | 4712 |
| Theoretical force at 6 bar, retracting | 415 | 633 | 990 | 1682 | 2721 | 4418 |
| Max. impact energy in the end positions | 0.1 | 0.2 | 0.2 | 0.5 | 0.9 | 1.2 |

Permissible impact velocity:

$$v_{\text{perm.}} = \sqrt{\frac{2 \times E_{\text{perm.}}}{m_{\text{dead}} + m_{\text{load}}}}$$

$v_{\text{perm.}}$ Permissible impact velocity

$E_{\text{perm.}}$ Max. impact energy

$m_{\text{intrinsic}}$ Moving load (drive)

m_{load} Moving effective load

Maximum permissible load:

$$m_{\text{load}} = \frac{2 \times E_{\text{perm.}}}{v^2} - m_{\text{dead}}$$

Note

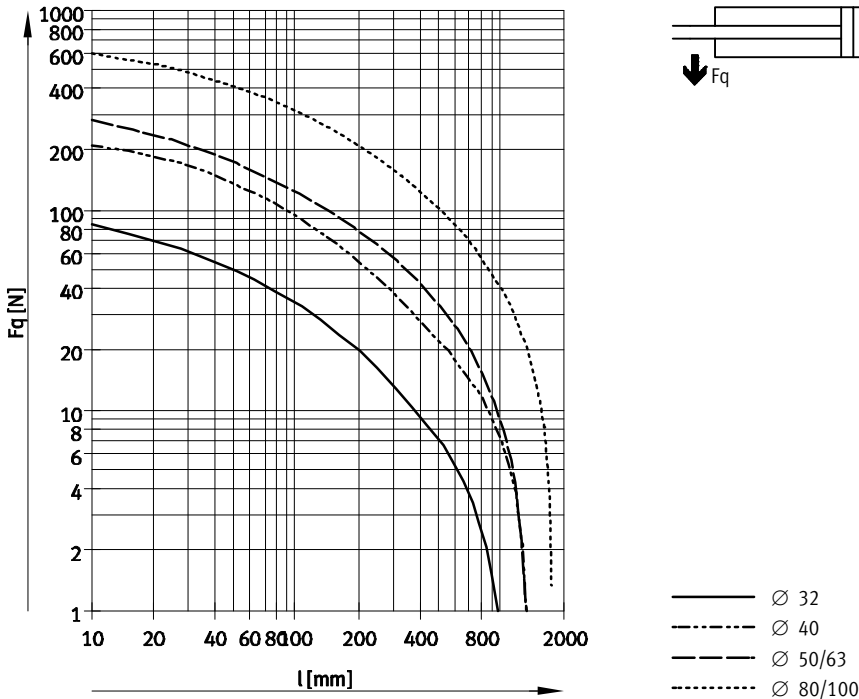
This data represents the maximum values that can be achieved. The maximum permissible impact energy must be observed.

Standard cylinders DNC-C180, to ISO 15552

Technical data

Lateral force F_q as a function of stroke length l

Basic version

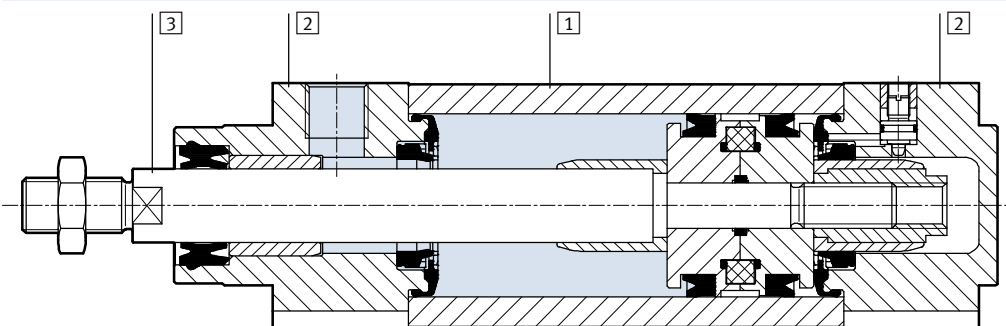


Weight [g]

| Piston Ø | 32 | 40 | 50 | 63 | 80 | 100 |
|------------------------------------|-----|-----|------|------|------|------|
| Product weight with 0 mm stroke | 517 | 800 | 1260 | 1709 | 2790 | 4653 |
| Additional weight per 10 mm stroke | 30 | 45 | 64 | 73 | 106 | 115 |
| Moving load with 0 mm stroke | 162 | 307 | 538 | 663 | 1131 | 1544 |
| Additional load per 10 mm stroke | 9 | 16 | 25 | 25 | 38 | 38 |

Materials

Sectional view



Standard cylinder

| | | |
|---|----------------------|---|
| 1 | Profile barrel | Smooth anodised wrought aluminium alloy |
| 2 | Bearing and end caps | Die-cast aluminium |
| 3 | Piston rod | High-alloy steel |
| - | Seals | Polyurethane, nitrile rubber |

Standard cylinders DNC-C180, to ISO 15552

Technical data

Dimensions Download CAD data → www.festo.com

1 Socket head screw with female thread for mounting attachments
2 Regulating screw for adjustable end-position cushioning
3 Slot for proximity sensor SME/SMT-8M
 + = plus stroke length


| ∅ | AM | B | BG | E | EE | J2 | J3 | KK | L1 | L2 | L7 |
|------|----|----------|----|-----|-----------------|------|-----|----------|------|-----|------|
| [mm] | | ∅ d11 | | | | | | | | | |
| 32 | 22 | 30 | 16 | 45 | G $\frac{1}{8}$ | 6 | 5.2 | M10x1.25 | 18 | 94 | 3.3 |
| 40 | 24 | 35 | 16 | 54 | G $\frac{1}{4}$ | 8 | 6 | M12x1.25 | 21.5 | 105 | 3.6 |
| 50 | 32 | 40 | 17 | 64 | G $\frac{1}{4}$ | 10.4 | 8.5 | M16x1.5 | 28 | 106 | 5.1 |
| 63 | 32 | 45 | 17 | 75 | G $\frac{3}{8}$ | 12.4 | 10 | M16x1.5 | 28.5 | 121 | 6.6 |
| 80 | 40 | 45 | 17 | 93 | G $\frac{3}{8}$ | 12.5 | 8 | M20x1.5 | 34.7 | 128 | 10.5 |
| 100 | 40 | 55 | 17 | 110 | G $\frac{1}{2}$ | 12 | 10 | M20x1.5 | 38.2 | 138 | 8 |

| ∅ | MM | PL | RT | TG | VA | VD | WH | ZJ | ∅C1 | ∅C2 | ∅C3 |
|------|----|------|-----|------|----|------|----|-----|-----|-----|-----|
| [mm] | ∅ | | | | | | | | | | |
| 32 | 12 | 15.6 | M6 | 32.5 | 4 | 10 | 26 | 120 | 10 | 16 | 6 |
| 40 | 16 | 14 | M6 | 38 | 4 | 10.5 | 30 | 135 | 13 | 18 | 6 |
| 50 | 20 | 14 | M8 | 46.5 | 4 | 11.5 | 37 | 143 | 17 | 24 | 8 |
| 63 | 20 | 17 | M8 | 56.5 | 4 | 15 | 37 | 158 | 17 | 24 | 8 |
| 80 | 25 | 16.4 | M10 | 72 | 4 | 15.7 | 46 | 174 | 22 | 30 | 6 |
| 100 | 25 | 18.8 | M10 | 89 | 4 | 19.2 | 51 | 189 | 22 | 30 | 6 |


Note: This product conforms to ISO 1179-1 and to ISO 228-1

Standard cylinders DNC-C180, to ISO 15552

Technical data

| Ordering data | | | | | | | | |
|---|------------------|----------------|-----------------------|-----------------------|------------------|----------------|-----------------------|------------------------|
| Type | Piston Ø [mm] | Stroke [mm] | With position sensing | | Piston Ø [mm] | Stroke [mm] | With position sensing | |
| | | | Part No. | Type ¹⁾ | | | Part No. | Type ¹⁾ |
|  | 32 | 50 | 567882 | DNC-32-50-PPV-A-C180 | 63 | 50 | 567909 | DNC-63-50-PPV-A-C180 |
| | | 80 | 567883 | DNC-32-80-PPV-A-C180 | | 80 | 567910 | DNC-63-80-PPV-A-C180 |
| | | 100 | 567884 | DNC-32-100-PPV-A-C180 | | 100 | 567911 | DNC-63-100-PPV-A-C180 |
| | | 125 | 567885 | DNC-32-125-PPV-A-C180 | | 125 | 567912 | DNC-63-125-PPV-A-C180 |
| | | 160 | 567886 | DNC-32-160-PPV-A-C180 | | 160 | 567913 | DNC-63-160-PPV-A-C180 |
| | | 200 | 567887 | DNC-32-200-PPV-A-C180 | | 200 | 567914 | DNC-63-200-PPV-A-C180 |
| | | 250 | 567888 | DNC-32-250-PPV-A-C180 | | 250 | 567915 | DNC-63-250-PPV-A-C180 |
| | | 320 | 567889 | DNC-32-320-PPV-A-C180 | | 320 | 567916 | DNC-63-320-PPV-A-C180 |
| | 40 | 50 | 567891 | DNC-40-50-PPV-A-C180 | 80 | 50 | 567918 | DNC-80-50-PPV-A-C180 |
| | | 80 | 567892 | DNC-40-80-PPV-A-C180 | | 80 | 567919 | DNC-80-80-PPV-A-C180 |
| | | 100 | 567893 | DNC-40-100-PPV-A-C180 | | 100 | 567920 | DNC-80-100-PPV-A-C180 |
| | | 125 | 567894 | DNC-40-125-PPV-A-C180 | | 125 | 567921 | DNC-80-125-PPV-A-C180 |
| | | 160 | 567895 | DNC-40-160-PPV-A-C180 | | 160 | 567922 | DNC-80-160-PPV-A-C180 |
| | | 200 | 567896 | DNC-40-200-PPV-A-C180 | | 200 | 567923 | DNC-80-200-PPV-A-C180 |
| | | 250 | 567897 | DNC-40-250-PPV-A-C180 | | 250 | 567924 | DNC-80-250-PPV-A-C180 |
| | | 320 | 567898 | DNC-40-320-PPV-A-C180 | | 320 | 567925 | DNC-80-320-PPV-A-C180 |
| | 50 | 50 | 567900 | DNC-50-50-PPV-A-C180 | 100 | 50 | 567927 | DNC-100-50-PPV-A-C180 |
| | | 80 | 567901 | DNC-50-80-PPV-A-C180 | | 80 | 567928 | DNC-100-80-PPV-A-C180 |
| | | 100 | 567902 | DNC-50-100-PPV-A-C180 | | 100 | 567929 | DNC-100-100-PPV-A-C180 |
| | | 125 | 567903 | DNC-50-125-PPV-A-C180 | | 125 | 567930 | DNC-100-125-PPV-A-C180 |
| | | 160 | 567904 | DNC-50-160-PPV-A-C180 | | 160 | 567931 | DNC-100-160-PPV-A-C180 |
| | | 200 | 567905 | DNC-50-200-PPV-A-C180 | | 200 | 567932 | DNC-100-200-PPV-A-C180 |
| | | 250 | 567906 | DNC-50-250-PPV-A-C180 | | 250 | 567933 | DNC-100-250-PPV-A-C180 |
| | | 320 | 567907 | DNC-50-320-PPV-A-C180 | | 320 | 567934 | DNC-100-320-PPV-A-C180 |

1) The mounting nut on the piston rod thread is included in the scope of delivery

| Ordering data – Variable stroke | | | | |
|---|------------------|---------------------------------------|-----------------------|------------------------|
| Type | Piston Ø [mm] | Variable stroke ²⁾ [mm] | With position sensing | |
| | | | Part No. | Type ¹⁾ |
|  | 32 | 2 ... 2,000 | 567890 | DNC-32-...-PPV-A-C180 |
| | 40 | 2 ... 2,000 | 567899 | DNC-40-...-PPV-A-C180 |
| | 50 | 2 ... 2,000 | 567908 | DNC-50-...-PPV-A-C180 |
| | 63 | 3 ... 2,000 | 567917 | DNC-63-...-PPV-A-C180 |
| | 80 | 3 ... 2,000 | 567926 | DNC-80-...-PPV-A-C180 |
| | 100 | 3 ... 2,000 | 567935 | DNC-100-...-PPV-A-C180 |

1) The mounting nut on the piston rod thread is included in the scope of delivery

2) Cylinders with position sensing require a minimum stroke of 10 mm to ensure reliable sensing

Standard cylinders DNC-C180, to ISO 15552

Accessories



Multi-position kit DPNC

Materials:

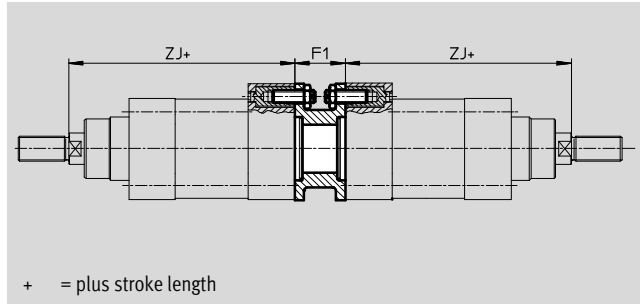
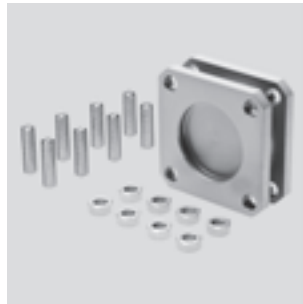
Flange: Wrought aluminium alloy

Threaded studs, hex nuts:


Galvanised steel

Free of copper and PTFE

RoHS-compliant



| Dimensions and ordering data | | | | | | |
|------------------------------|----|-----|----------------------------|--------|---------------|-----------------|
| For Ø | F1 | ZJ | Max. overall stroke length | Weight | Part No. | Type |
| [mm] | | | [mm] | [g] | | |
| 32 | 27 | 120 | 1000 | 292 | 174418 | DPNC-32 |
| 40 | 27 | 135 | 1000 | 410 | 174419 | DPNC-40 |
| 50 | 32 | 143 | 1000 | 335 | 174420 | DPNC-50 |
| 63 | 28 | 158 | 1000 | 390 | 174421 | DPNC-63 |
| 80 | 38 | 174 | 1000 | 847 | 174422 | DPNC-80 |
| 100 | 38 | 189 | 1000 | 1200 | 174423 | DPNC-100 |

 Note
The maximum overall stroke length must not be exceeded when combining cylinders and multi-position kits.

Connecting two cylinders with identical piston diameter as a 3 or 4-position cylinder

A 3 or 4-position cylinder consists of two separate cylinders whose piston rods advance in opposing directions.

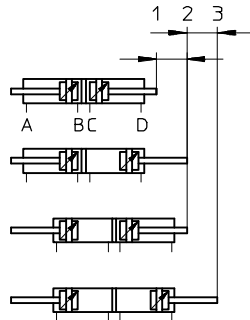
This means that depending on actuation and stroke division, this type of cylinder can assume up to four

positions. In each case the cylinder is driven precisely against a stop. Note that when one end of the piston rod is

fixed, the cylinder barrel executes the movement. The cylinder's connections must be flexible.

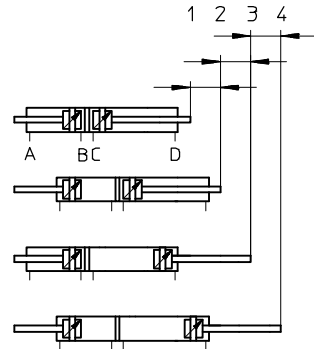
To achieve 3 positions

Two cylinders with identical stroke length must be connected together.



To achieve 4 positions

Two cylinders with different stroke lengths must be connected together.



Standard cylinders DNC-C180, to ISO 15552

Accessories

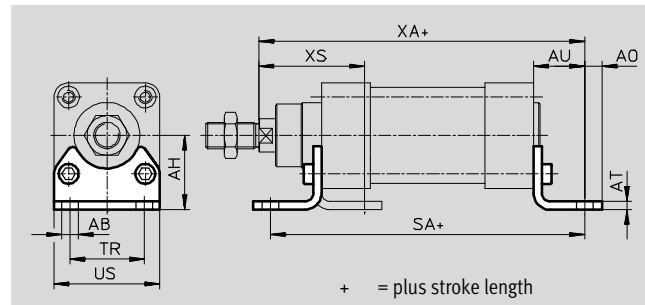
Foot mounting HNC/CRHNC

Materials:

HNC: Galvanised steel

CRHNC: High-alloy steel

Free of copper and PTFE



| Dimensions and ordering data | | | | | | | | | | |
|------------------------------|---------------------|----|------|----|----|-----|----|-----|-----|----|
| For \varnothing | AB \varnothing | AH | AO | AT | AU | SA | TR | US | XA | XS |
| [mm] | | | | | | | | | | |
| 32 | 7 | 32 | 6.5 | 4 | 24 | 142 | 32 | 45 | 144 | 45 |
| 40 | 10 | 36 | 9 | 4 | 28 | 161 | 36 | 54 | 163 | 53 |
| 50 | 10 | 45 | 9.5 | 5 | 32 | 170 | 45 | 64 | 175 | 62 |
| 63 | 10 | 50 | 12.5 | 5 | 32 | 185 | 50 | 75 | 190 | 63 |
| 80 | 12 | 63 | 15 | 6 | 41 | 210 | 63 | 93 | 215 | 81 |
| 100 | 14.5 | 71 | 17.5 | 6 | 41 | 220 | 75 | 110 | 230 | 86 |

| For \varnothing | Basic version | | | | High corrosion protection | | | |
|-------------------|-------------------|------------|---------------|----------------|---------------------------|------------|---------------|------------------|
| | CRC ¹⁾ | Weight [g] | Part No. | Type | CRC ¹⁾ | Weight [g] | Part No. | Type |
| [mm] | | | | | | | | |
| 32 | 2 | 144 | 174369 | HNC-32 | 4 | 139 | 176937 | CRHNC-32 |
| 40 | 2 | 193 | 174370 | HNC-40 | 4 | 188 | 176938 | CRHNC-40 |
| 50 | 2 | 353 | 174371 | HNC-50 | 4 | 341 | 176939 | CRHNC-50 |
| 63 | 2 | 436 | 174372 | HNC-63 | 4 | 424 | 176940 | CRHNC-63 |
| 80 | 2 | 829 | 174373 | HNC-80 | 4 | 809 | 176941 | CRHNC-80 |
| 100 | 2 | 1009 | 174374 | HNC-100 | 4 | 990 | 176942 | CRHNC-100 |

1) Corrosion resistance class CRC 2 to Festo standard FN 940070
 Moderate corrosion stress. Indoor applications in which condensation may occur. External visible parts with primarily decorative requirements for the surface and which are in direct contact with the ambient atmosphere typical for industrial applications.
 Corrosion resistance class CRC 4 to Festo standard FN 940070
 Particularly high corrosion stress. Outdoor exposure under extreme corrosive conditions. Parts exposed to aggressive media, for instance in the chemical or food industries. These applications may need to be supported by special tests (→ also FN 940082) using appropriate media.

Standard cylinders DNC-C180, to ISO 15552



Accessories

Flange mounting FNC/CRFNG

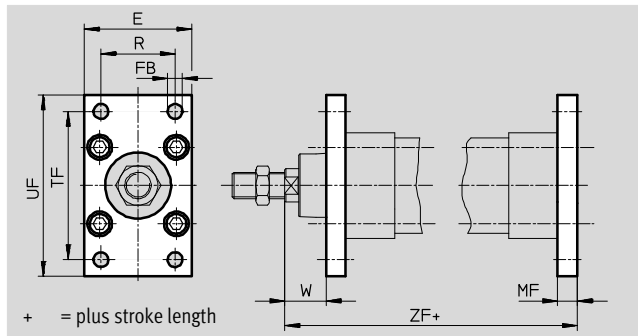
Materials:

FNC: Galvanised steel

CRFNG: High-alloy steel

Free of copper and PTFE

RoHS-compliant



| Dimensions and ordering data | | | | | | | | |
|------------------------------|-----|----------------------------|----|----|-----|-----|----|-----|
| For \varnothing [mm] | E | FB \varnothing H13 | MF | R | TF | UF | W | ZF |
| 32 | 45 | 7 | 10 | 32 | 64 | 80 | 16 | 130 |
| 40 | 54 | 9 | 10 | 36 | 72 | 90 | 20 | 145 |
| 50 | 65 | 9 | 12 | 45 | 90 | 110 | 25 | 155 |
| 63 | 75 | 9 | 12 | 50 | 100 | 120 | 25 | 170 |
| 80 | 93 | 12 | 16 | 63 | 126 | 150 | 30 | 190 |
| 100 | 110 | 14 | 16 | 75 | 150 | 175 | 35 | 205 |

| For \varnothing [mm] | Basic version | | | | High corrosion protection | | | |
|---------------------------|-------------------|---------------|---------------|----------------|---------------------------|---------------|---------------|------------------|
| | CRC ¹⁾ | Weight [g] | Part No. | Type | CRC ¹⁾ | Weight [g] | Part No. | Type |
| 32 | 1 | 221 | 174376 | FNC-32 | 4 | 220 | 161846 | CRFNG-32 |
| 40 | 1 | 291 | 174377 | FNC-40 | 4 | 291 | 161847 | CRFNG-40 |
| 50 | 1 | 536 | 174378 | FNC-50 | 4 | 526 | 161848 | CRFNG-50 |
| 63 | 1 | 679 | 174379 | FNC-63 | 4 | 680 | 161849 | CRFNG-63 |
| 80 | 1 | 1495 | 174380 | FNC-80 | 4 | 1508 | 161850 | CRFNG-80 |
| 100 | 1 | 2041 | 174381 | FNC-100 | 4 | 2054 | 161851 | CRFNG-100 |

1) Corrosion resistance class CRC 1 to Festo standard FN 940070

Low corrosion stress. For dry indoor applications or transport and storage protection. Also applies to parts behind covers, in the non-visible interior area, and parts which are covered in the application (e.g. drive trunnions).

Corrosion resistance class CRC 4 to Festo standard FN 940070

Particularly high corrosion stress. Outdoor exposure under extreme corrosive conditions. Parts exposed to aggressive media, for instance in the chemical or food industries. These applications may need to be supported by special tests (→ also FN 940082) using appropriate media.

Standard cylinders DNC-C180, to ISO 15552

Accessories

Trunnion flange ZNCF/CRZNG

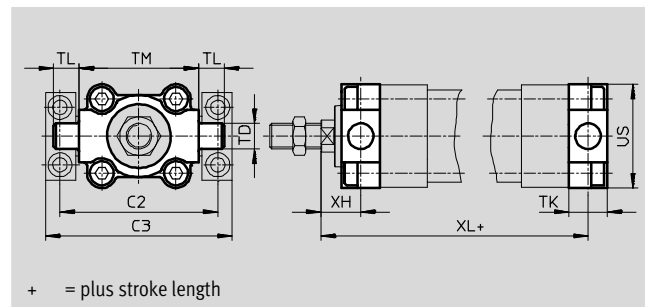
Materials:

ZNCF: Stainless steel casting

CRZNG: Electropolished stainless steel casting

Free of copper and PTFE

RoHS-compliant



+ = plus stroke length

| Dimensions and ordering data | | | | | | | | | |
|------------------------------|-----|-----|---------------------------|----|----|-----|-----|----|-----|
| For \varnothing | C2 | C3 | TD \varnothing e9 | TK | TL | TM | US | XH | XL |
| [mm] | | | | | | | | | |
| 32 | 71 | 86 | 12 | 16 | 12 | 50 | 45 | 18 | 128 |
| 40 | 87 | 105 | 16 | 20 | 16 | 63 | 54 | 20 | 145 |
| 50 | 99 | 117 | 16 | 24 | 16 | 75 | 64 | 25 | 155 |
| 63 | 116 | 136 | 20 | 24 | 20 | 90 | 75 | 25 | 170 |
| 80 | 136 | 156 | 20 | 28 | 20 | 110 | 93 | 32 | 188 |
| 100 | 164 | 189 | 25 | 38 | 25 | 132 | 110 | 32 | 208 |

| For \varnothing [mm] | Basic version | | | | High corrosion protection | | | |
|---------------------------|-------------------|------------|---------------|-----------------|---------------------------|------------|---------------|------------------|
| | CRC ¹⁾ | Weight [g] | Part No. | Type | CRC ¹⁾ | Weight [g] | Part No. | Type |
| 32 | 2 | 150 | 174411 | ZNCF-32 | 4 | 150 | 161852 | CRZNG-32 |
| 40 | 2 | 285 | 174412 | ZNCF-40 | 4 | 285 | 161853 | CRZNG-40 |
| 50 | 2 | 473 | 174413 | ZNCF-50 | 4 | 473 | 161854 | CRZNG-50 |
| 63 | 2 | 687 | 174414 | ZNCF-63 | 4 | 687 | 161855 | CRZNG-63 |
| 80 | 2 | 1296 | 174415 | ZNCF-80 | 4 | 1296 | 161856 | CRZNG-80 |
| 100 | 2 | 2254 | 174416 | ZNCF-100 | 4 | 2254 | 161857 | CRZNG-100 |

1) Corrosion resistance class CRC 2 to Festo standard FN 940070
 Moderate corrosion stress. Indoor applications in which condensation may occur. External visible parts with primarily decorative requirements for the surface and which are in direct contact with the ambient atmosphere typical for industrial applications.
 Corrosion resistance class CRC 4 to Festo standard FN 940070
 Particularly high corrosion stress. Outdoor exposure under extreme corrosive conditions. Parts exposed to aggressive media, for instance in the chemical or food industries. These applications may need to be supported by special tests (→ also FN 940082) using appropriate media.

Standard cylinders DNC-C180, to ISO 15552

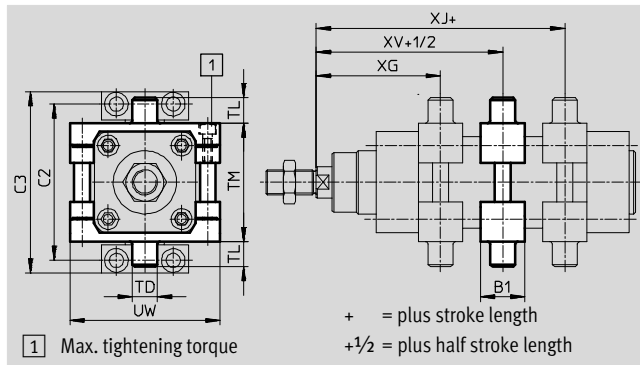


Accessories

Trunnion mounting kit DAMT for basic version DNC

The mounting kit can be attached at any position along the profile barrel of a cylinder.

Materials:
Tempered steel
Free of copper and PTFE



Dimensions and ordering data

| For Ø [mm] | B1 | C2 | C3 | TD Ø e9 | TL | TM | UW | XG |
|------------|----|-----|-----|---------------|----|-----|-----|-------|
| 32 | 30 | 71 | 86 | 12 | 12 | 50 | 65 | 66.1 |
| 40 | 32 | 87 | 105 | 16 | 16 | 63 | 75 | 75.6 |
| 50 | 34 | 99 | 117 | 16 | 16 | 75 | 95 | 83.6 |
| 63 | 41 | 116 | 136 | 20 | 20 | 90 | 105 | 93.1 |
| 80 | 44 | 136 | 156 | 20 | 20 | 110 | 130 | 103.9 |
| 100 | 48 | 164 | 189 | 25 | 25 | 132 | 145 | 113.8 |

| For Ø [mm] | XG | XJ | XV | Max. tightening torque [Nm] | CRC ¹⁾ | Weight [g] | Part No. | Type |
|------------|-------|-------|------|-----------------------------|-------------------|------------|----------|---------------|
| 32 | 66.1 | 79.9 | 73 | 4+1 | 2 | 213 | 2213233 | DAMT-V1-32-A |
| 40 | 75.6 | 89.4 | 82.5 | 8+1 | 2 | 388 | 2214899 | DAMT-V1-40-A |
| 50 | 83.6 | 96.4 | 90 | 8+2 | 2 | 608 | 2214909 | DAMT-V1-50-A |
| 63 | 93.1 | 101.9 | 97.5 | 18+2 | 2 | 911 | 2214971 | DAMT-V1-63-A |
| 80 | 103.9 | 116.1 | 110 | 28+2 | 2 | 1494 | 163529 | DAMT-V1-80-A |
| 100 | 113.8 | 126.2 | 120 | 28+2 | 2 | 2095 | 163530 | DAMT-V1-100-A |

1) Corrosion resistance class CRC 2 to Festo standard FN 940070
Moderate corrosion stress. Indoor applications in which condensation may occur. External visible parts with primarily decorative requirements for the surface and which are in direct contact with the ambient atmosphere typical for industrial applications.

Standard cylinders DNC-C180, to ISO 15552

Accessories

Trunnion support LNZG

Materials:

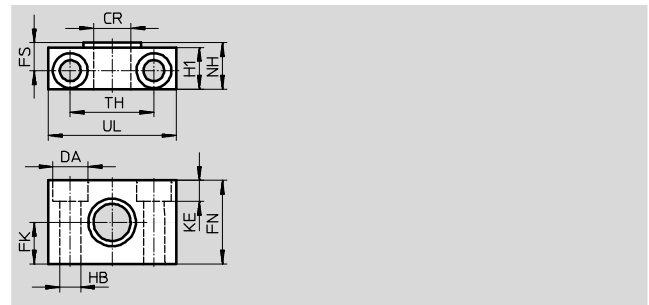
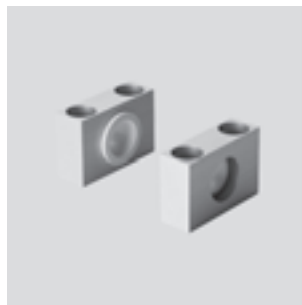
Trunnion support:

Anodised aluminium

Plain bearing: Plastic

Free of copper and PTFE

RoHS-compliant



| Dimensions and ordering data | | | | | | | | | | | | | | Weight | Part No. | Type |
|------------------------------|-------------------|-------------------|-------------------------|----|------|------|-------------------|-----|------|-----------|----|-------------------|--|--------|--------------|---------------------|
| For \varnothing | CR | DA | FK | FN | FS | H1 | HB | KE | NH | TH | UL | CRC ¹⁾ | | | | |
| [mm] | \varnothing D11 | \varnothing H13 | \varnothing ± 0.1 | | | | \varnothing H13 | | | ± 0.2 | | | | [g] | | |
| 32 | 12 | 11 | 15 | 30 | 10.5 | 15 | 6.6 | 6.8 | 18 | 32 | 46 | 2 | | 83 | 32959 | LNZG-32 |
| 40, 50 | 16 | 15 | 18 | 36 | 12 | 18 | 9 | 9 | 21 | 36 | 55 | 2 | | 129 | 32960 | LNZG-40/50 |
| 63, 80 | 20 | 18 | 20 | 40 | 13 | 20 | 11 | 11 | 23 | 42 | 65 | 2 | | 178 | 32961 | LNZG-63/80 |
| 100 | 25 | 20 | 25 | 50 | 16 | 24.5 | 14 | 13 | 28.5 | 50 | 75 | 2 | | 306 | 32962 | LNZG-100/125 |

1) Corrosion resistance class CRC 2 to Festo standard FN 940070

Moderate corrosion stress. Indoor applications in which condensation may occur. External visible parts with primarily decorative requirements for the surface and which are in direct contact with the ambient atmosphere typical for industrial applications.

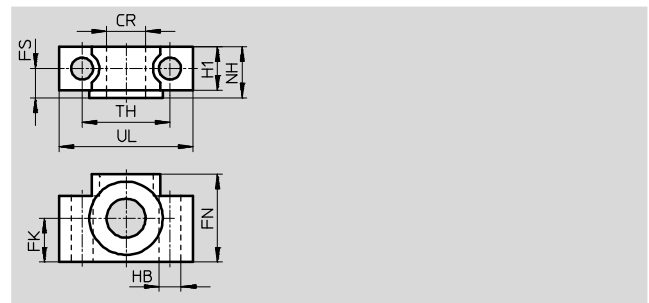
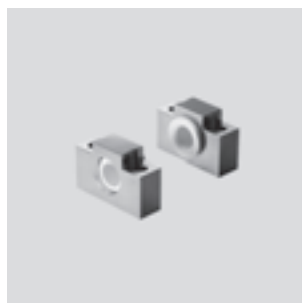
Trunnion support CRLNZG

Materials:

High-alloy steel

Free of copper and PTFE

RoHS-compliant



| Dimensions and ordering data | | | | | | | | | | | | | | Weight | Part No. | Type |
|------------------------------|-------------------|-------------------------|----|------|------|-------------------|------|-----------|----|-------------------|--|--|--|--------|---------------|---------------------|
| For \varnothing | CR | FK | FN | FS | H1 | HB | NH | TH | UL | CRC ¹⁾ | | | | | | |
| [mm] | \varnothing D11 | \varnothing ± 0.1 | | | | \varnothing H13 | | ± 0.2 | | | | | | [g] | | |
| 32 | 12 | 15 | 30 | 10.5 | 15 | 6.6 | 18 | 32 | 46 | 4 | | | | 205 | 161874 | CRLNZG-32 |
| 40, 50 | 16 | 18 | 36 | 12 | 18 | 9 | 21 | 36 | 55 | 4 | | | | 323 | 161875 | CRLNZG-40/50 |
| 63, 80 | 20 | 20 | 40 | 13 | 20 | 11 | 23 | 42 | 65 | 4 | | | | 435 | 161876 | CRLNZG-63/80 |
| 100 | 25 | 25 | 50 | 16 | 24.5 | 14 | 28.5 | 50 | 75 | 4 | | | | 739 | 161877 | CRLNZG-100 |

1) Corrosion resistance class CRC 4 to Festo standard FN 940070

Particularly high corrosion stress. Outdoor exposure under extreme corrosive conditions. Parts exposed to aggressive media, for instance in the chemical or food industries. These applications may need to be supported by special tests (→ also FN 940082) using appropriate media.

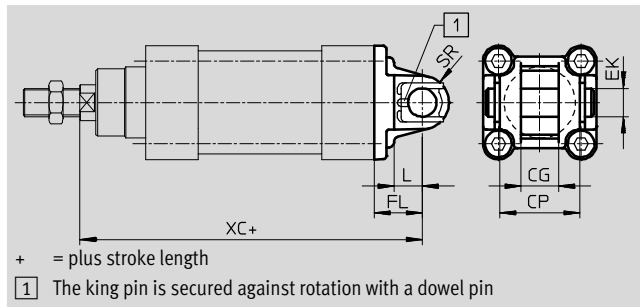
Standard cylinders DNC-C180, to ISO 15552

Accessories



Swivel flange SNC

Materials:
Die-cast aluminium
Free of copper and PTFE
RoHS-compliant



| Dimensions and ordering data | | | | | | | | | | | | |
|------------------------------|-----|-----|---------------------|-----------------|----|----|-----|-----|-------------------|--------|---------------|----------------|
| For \varnothing | CG | CP | EK \varnothing | FL ± 0.2 | L | SR | XC | | CRC ¹⁾ | Weight | Part No. | Type |
| [mm] | H14 | h14 | H9 | | | | | KP | | [g] | | |
| 32 | 14 | 34 | 10 | 22 | 13 | 10 | 142 | 187 | 2 | 93 | 174383 | SNC-32 |
| 40 | 16 | 40 | 12 | 25 | 16 | 12 | 160 | 213 | 2 | 140 | 174384 | SNC-40 |
| 50 | 21 | 45 | 16 | 27 | 16 | 12 | 170 | 237 | 2 | 234 | 174385 | SNC-50 |
| 63 | 21 | 51 | 16 | 32 | 21 | 16 | 190 | 266 | 2 | 331 | 174386 | SNC-63 |
| 80 | 25 | 65 | 20 | 36 | 22 | 16 | 210 | 305 | 2 | 618 | 174387 | SNC-80 |
| 100 | 25 | 75 | 20 | 41 | 27 | 20 | 230 | 328 | 2 | 865 | 174388 | SNC-100 |

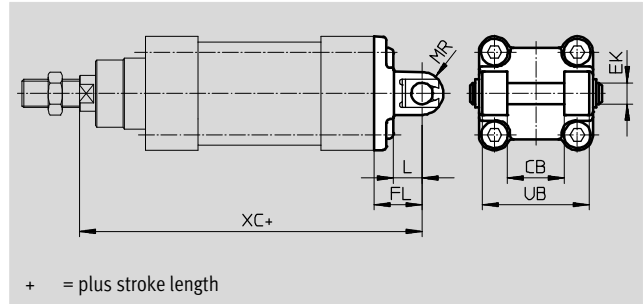
1) Corrosion resistance class CRC 2 to Festo standard FN 940070
Moderate corrosion stress. Indoor applications in which condensation may occur. External visible parts with primarily decorative requirements for the surface and which are in direct contact with the ambient atmosphere typical for industrial applications.

Standard cylinders DNC-C180, to ISO 15552

Accessories

Swivel flange SNCB/SNCB-...-R3

Materials:
 SNCB: Die-cast aluminium
 SNCB-...-R3: Die-cast aluminium with protective coating, high corrosion protection
 Free of copper and PTFE
 RoHS-compliant



| Dimensions and ordering data | | | | | | | |
|------------------------------|-----|---------------------|-----------|----|-----|-----|-----|
| For \varnothing | CB | EK | FL | L | MR | UB | XC |
| [mm] | H14 | \varnothing e8 | ± 0.2 | | | h14 | |
| 32 | 26 | 10 | 22 | 13 | 8.5 | 45 | 142 |
| 40 | 28 | 12 | 25 | 16 | 12 | 52 | 160 |
| 50 | 32 | 12 | 27 | 16 | 12 | 60 | 170 |
| 63 | 40 | 16 | 32 | 21 | 16 | 70 | 190 |
| 80 | 50 | 16 | 36 | 22 | 16 | 90 | 210 |
| 100 | 60 | 20 | 41 | 27 | 20 | 110 | 230 |

| For \varnothing | Basic version | | | | Variant R3 – High corrosion protection | | | |
|-------------------|-------------------|------------|---------------|-----------------|--|------------|---------------|--------------------|
| | CRC ¹⁾ | Weight [g] | Part No. | Type | CRC ¹⁾ | Weight [g] | Part No. | Type |
| [mm] | | | | | | | | |
| 32 | 2 | 103 | 174390 | SNCB-32 | 3 | 100 | 176944 | SNCB-32-R3 |
| 40 | 2 | 155 | 174391 | SNCB-40 | 3 | 151 | 176945 | SNCB-40-R3 |
| 50 | 2 | 232 | 174392 | SNCB-50 | 3 | 228 | 176946 | SNCB-50-R3 |
| 63 | 2 | 375 | 174393 | SNCB-63 | 3 | 371 | 176947 | SNCB-63-R3 |
| 80 | 2 | 636 | 174394 | SNCB-80 | 3 | 632 | 176948 | SNCB-80-R3 |
| 100 | 2 | 1035 | 174395 | SNCB-100 | 3 | 986 | 176949 | SNCB-100-R3 |

1) Corrosion resistance class CRC 2 to Festo standard FN 940070
 Moderate corrosion stress. Indoor applications in which condensation may occur. External visible parts with primarily decorative requirements for the surface and which are in direct contact with the ambient atmosphere typical for industrial applications.
 Corrosion resistance class CRC 4 to Festo standard FN 940070
 Particularly high corrosion stress. Outdoor exposure under extreme corrosive conditions. Parts exposed to aggressive media, for instance in the chemical or food industries. These applications may need to be supported by special tests (→ also FN 940082) using appropriate media.

Standard cylinders DNC-C180, to ISO 15552

Accessories



Swivel flange SNCS

Materials:

SNCS 32 ... 80:

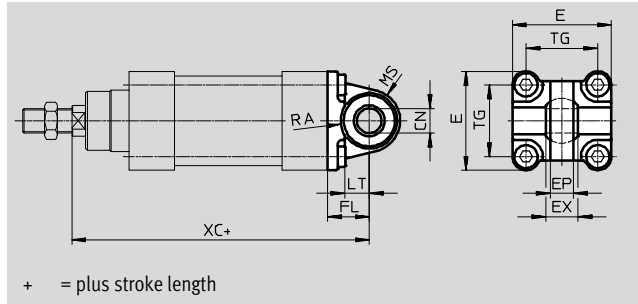
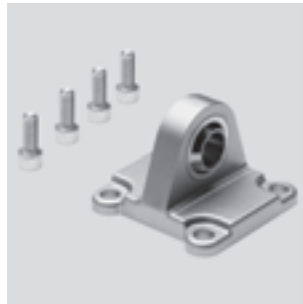
Die-cast aluminium

SNCS 100:

Wrought aluminium alloy

Free of copper and PTFE

RoHS-compliant



| Dimensions and ordering data | | | | | | | | | | | | | | |
|------------------------------|----------------------|-------------------------|-----------|----|-----------|----|--------------------|------|------|-----|-------------------|--------|----------|----------|
| For \varnothing | CN | E | EP | EX | FL | LT | MS | RA | TG | XC | CRC ¹⁾ | Weight | Part No. | Type |
| [mm] | \varnothing | | ± 0.2 | | ± 0.2 | | | +1 | | | | [g] | | |
| 32 | 10 ^{+0.013} | 45 ^{+0.2/-0.5} | 10.5 | 14 | 22 | 13 | 15 ^{+0.5} | 14.5 | 32.5 | 142 | 2 | 86 | 174397 | SNCS-32 |
| 40 | 12 ^{+0.015} | 54 ^{-0.5} | 12 | 16 | 25 | 16 | 17 ^{+0.5} | 17.5 | 38 | 160 | 2 | 122 | 174398 | SNCS-40 |
| 50 | 16 ^{+0.015} | 64 ^{-0.6} | 15 | 21 | 27 | 16 | 20 ^{+0.5} | 18.5 | 46.5 | 170 | 2 | 216 | 174399 | SNCS-50 |
| 63 | 16 ^{+0.015} | 75 ^{-0.6} | 15 | 21 | 32 | 21 | 23 ^{-0.5} | 23 | 56.5 | 190 | 2 | 281 | 174400 | SNCS-63 |
| 80 | 20 ^{+0.018} | 93 ^{-0.8} | 18 | 25 | 36 | 22 | 28 ^{-0.5} | 25 | 72 | 210 | 2 | 557 | 174401 | SNCS-80 |
| 100 | 20 ^{+0.018} | 109 ^{+1/-0.7} | 18 | 25 | 41 | 27 | 30 ± 0.5 | 95 | 89 | 230 | 2 | 683 | 174402 | SNCS-100 |

19 Corrosion resistance class CRC 2 to Festo standard FN 940070

Moderate corrosion stress. Indoor applications in which condensation may occur. External visible parts with primarily decorative requirements for the surface and which are in direct contact with the ambient atmosphere typical for industrial applications.

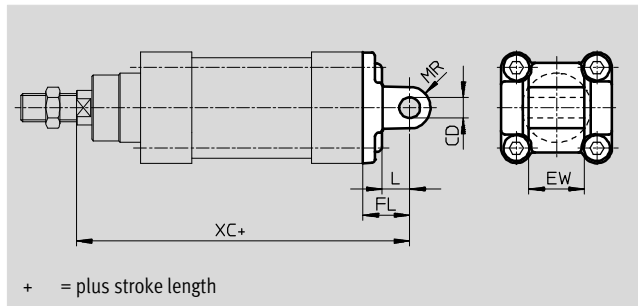
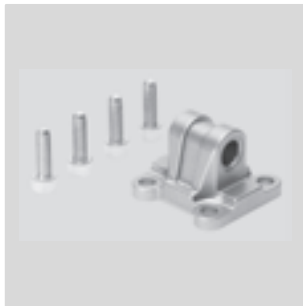
Swivel flange SNCL

Materials:

Die-cast aluminium

Free of copper and PTFE

RoHS-compliant



| Dimensions and ordering data | | | | | | | | | | |
|------------------------------|---------------|----|-----------|----|----|-----|-------------------|--------|----------|----------|
| For \varnothing | CD | EW | FL | L | MR | XC | CRC ¹⁾ | Weight | Part No. | Type |
| [mm] | \varnothing | | ± 0.2 | | | | | [g] | | |
| 32 | 10 | 26 | 22 | 13 | 10 | 142 | 2 | 71 | 174404 | SNCL-32 |
| 40 | 12 | 28 | 25 | 16 | 12 | 160 | 2 | 95 | 174405 | SNCL-40 |
| 50 | 12 | 32 | 27 | 16 | 12 | 170 | 2 | 158 | 174406 | SNCL-50 |
| 63 | 16 | 40 | 32 | 21 | 16 | 190 | 2 | 225 | 174407 | SNCL-63 |
| 80 | 16 | 50 | 36 | 22 | 16 | 210 | 2 | 436 | 174408 | SNCL-80 |
| 100 | 20 | 60 | 41 | 27 | 20 | 230 | 2 | 606 | 174409 | SNCL-100 |


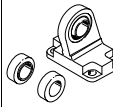


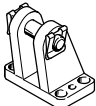
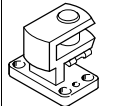
1) Corrosion resistance class CRC 2 to Festo standard FN 940070

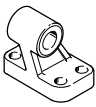
Moderate corrosion stress. Indoor applications in which condensation may occur. External visible parts with primarily decorative requirements for the surface and which are in direct contact with the ambient atmosphere typical for industrial applications.

Standard cylinders DNC-C180, to ISO 15552

Accessories

FESTO


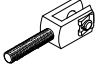
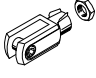

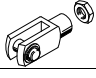
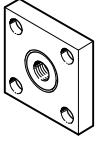
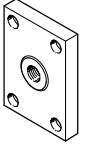
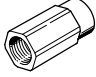
| Ordering data – Mounting attachments | | | | Technical data → Internet: clevis foot | | | |
|--|-------|----------|----------|--|-------|----------|-----------|
| Designation | For Ø | Part No. | Type | Designation | For Ø | Part No. | Type |
| Clevis foot LNG | | | | Clevis foot LSN | | | |
|  | 32 | 33890 | LNG-32 |  | 32 | 5561 | LSN-32 |
| | 40 | 33891 | LNG-40 | | 40 | 5562 | LSN-40 |
| | 50 | 33892 | LNG-50 | | 50 | 5563 | LSN-50 |
| | 63 | 33893 | LNG-63 | | 63 | 5564 | LSN-63 |
| | 80 | 33894 | LNG-80 | | 80 | 5565 | LSN-80 |
| | 100 | 33895 | LNG-100 | | 100 | 5566 | LSN-100 |
| Clevis foot LSNG | | | | Clevis foot LSNSG | | | |
|  | 32 | 31740 | LSNG-32 |  | 32 | 31747 | LSNSG-32 |
| | 40 | 31741 | LSNG-40 | | 40 | 31748 | LSNSG-40 |
| | 50 | 31742 | LSNG-50 | | 50 | 31749 | LSNSG-50 |
| | 63 | 31743 | LSNG-63 | | 63 | 31750 | LSNSG-63 |
| | 80 | 31744 | LSNG-80 | | 80 | 31751 | LSNSG-80 |
| | 100 | 31745 | LSNG-100 | | 100 | 31752 | LSNSG-100 |
| Clevis foot LBG | | | | Right-angle clevis foot LQG | | | |
|  | 32 | 31761 | LBG-32 |  | 32 | 31768 | LQG-32 |
| | 40 | 31762 | LBG-40 | | 40 | 31769 | LQG-40 |
| | 50 | 31763 | LBG-50 | | 50 | 31770 | LQG-50 |
| | 63 | 31764 | LBG-63 | | 63 | 31771 | LQG-63 |
| | 80 | 31765 | LBG-80 | | 80 | 31772 | LQG-80 |
| | 100 | 31766 | LBG-100 | | 100 | 31773 | LQG-100 |


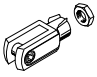
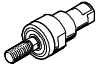
| Ordering data – Mounting attachments, corrosion-resistant | | | Technical data → Internet: crlng | |
|---|-------|----------|----------------------------------|--|
| Designation | For Ø | Part No. | Type | |
| Clevis foot CRLNG | | | | |
|  | 32 | 161840 | CRLNG-32 | |
| | 40 | 161841 | CRLNG-40 | |
| | 50 | 161842 | CRLNG-50 | |
| | 63 | 161843 | CRLNG-63 | |
| | 80 | 161844 | CRLNG-80 | |
| | 100 | 161845 | CRLNG-100 | |

Standard cylinders DNC-C180, to ISO 15552

Accessories

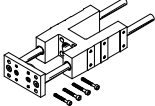
FESTO

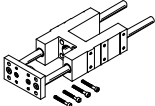
| Ordering data – Piston rod attachments | | | | Technical data → Internet: piston rod attachments | | | |
|---|-------|----------|-----------------|--|-------|------------|--------------|
| Designation | For Ø | Part No. | Type | Designation | For Ø | Part No. | Type |
| Rod eye SGS | | | | Rod clevis SGA | | | |
|  | 32 | 9261 | SGS-M10x1,25 |  | 32 | 32954 | SGA-M10x1,25 |
| | 40 | 9262 | SGS-M12x1,25 | | 40 | 10767 | SGA-M12x1,25 |
| | 50 | 9263 | SGS-M16x1,5 | | 50 | 10768 | SGA-M16x1,5 |
| | 63 | | | | 63 | | |
| | 80 | 9264 | SGS-M20x1,5 | | 80 | 10769 | SGA-M20x1,5 |
| | 100 | | | | 100 | | |
| Rod clevis SG | | | | Self-aligning rod coupler FK | | | |
|  | 32 | 6144 | SG-M10x1,25 |  | 32 | 6140 | FK-M10x1,25 |
| | 40 | 6145 | SG-M12x1,25 | | 40 | 6141 | FK-M12x1,25 |
| | 50 | 6146 | SG-M16x1,5 | | 50 | 6142 | FK-M16x1,5 |
| | 63 | | | | 63 | | |
|  | 80 | 6147 | SG-M20x1,5 | 80 | 6143 | FK-M20x1,5 | |
| | 100 | | | 100 | | | |
| Coupling piece KSG | | | | Coupling piece KSZ | | | |
|  | 32 | 32963 | KSG-M10x1,25 |  | 32 | 36125 | KSZ-M10x1,25 |
| | 40 | 32964 | KSG-M12x1,25 | | 40 | 36126 | KSZ-M12x1,25 |
| | 50 | 32965 | KSG-M16x1,5 | | 50 | 36127 | KSZ-M16x1,5 |
| | 63 | | | | 63 | | |
| | 80 | 32966 | KSG-M20x1,5 | | 80 | 36128 | KSZ-M20x1,5 |
| | 100 | | | | 100 | | |
| Adapter AD | | | | | | | |
|  | 32 | 157333 | AD-M10x1,25-1/8 | | | | |
| | | 157334 | AD-M10x1,25-1/4 | | | | |
| | 40 | 160256 | AD-M12x1,25-1/4 | | | | |
| | | 160257 | AD-M12x1,25-3/8 | | | | |

| Ordering data – Piston rod attachments, corrosion-resistant | | | | Technical data → Internet: crsg | | | |
|---|-------|----------|----------------|---|-------|----------|---------------|
| Designation | For Ø | Part No. | Type | Designation | For Ø | Part No. | Type |
| Rod eye CRSGS | | | | Rod clevis CRSG | | | |
|  | 32 | 195582 | CRSGS-M10x1,25 |  | 32 | 13569 | CRSG-M10x1,25 |
| | 40 | 195583 | CRSGS-M12x1,25 | | 40 | 13570 | CRSG-M12x1,25 |
| | 50 | 195584 | CRSGS-M16x1,5 | | 50 | 13571 | CRSG-M16x1,5 |
| | 63 | | | | 63 | | |
| | 80 | 195585 | CRSGS-M20x1,5 | | 80 | 13572 | CRSG-M20x1,5 |
| | 100 | | | | 100 | | |
| Self-aligning rod coupler CRFK | | | | | | | |
|  | 32 | 2305778 | CRFK-M10x1,25 | | | | |
| | 40 | 2305779 | CRFK-M12x1,25 | | | | |
| | 50 | 2490673 | CRFK-M16x1,5 | | | | |
| | 63 | | | | | | |
| | 80 | 2545677 | CRFK-M20x1,5 | | | | |
| | 100 | | | | | | |

Standard cylinders DNC-C180, to ISO 15552

Accessories

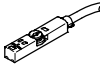
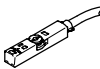
| Ordering data – Guide units for fixed strokes (recirculating ball bearing guide only) | | | | Technical data → Internet: festo | | |
|---|-------------|----------|----------------|----------------------------------|----------|-----------------|
| | Stroke [mm] | Part No. | Type | Stroke [mm] | Part No. | Type |
|  | For Ø 32 mm | | | For Ø 40 mm | | |
| | 10 ... 50 | 34493 | FENG-32-50-KF | 10 ... 50 | 34499 | FENG-40-50-KF |
| | 10 ... 100 | 34494 | FENG-32-100-KF | 10 ... 100 | 34500 | FENG-40-100-KF |
| | 10 ... 160 | 34495 | FENG-32-160-KF | 10 ... 160 | 34501 | FENG-40-160-KF |
| | 10 ... 200 | 34496 | FENG-32-200-KF | 10 ... 200 | 34502 | FENG-40-200-KF |
| | 10 ... 250 | 150289 | FENG-32-250-KF | 10 ... 250 | 34503 | FENG-40-250-KF |
| | 10 ... 320 | 34497 | FENG-32-320-KF | 10 ... 320 | 34504 | FENG-40-320-KF |
| | 10 ... 400 | 150290 | FENG-32-400-KF | 10 ... 400 | 150291 | FENG-40-400-KF |
| | 10 ... 500 | 34498 | FENG-32-500-KF | 10 ... 500 | 34505 | FENG-40-500-KF |
| | For Ø 50 mm | | | For Ø 63 mm | | |
| | 10 ... 50 | 34506 | FENG-50-50-KF | 10 ... 50 | 34513 | FENG-63-50-KF |
| | 10 ... 100 | 34507 | FENG-50-100-KF | 10 ... 100 | 34514 | FENG-63-100-KF |
| | 10 ... 160 | 34508 | FENG-50-160-KF | 10 ... 160 | 34515 | FENG-63-160-KF |
| | 10 ... 200 | 34509 | FENG-50-200-KF | 10 ... 200 | 34516 | FENG-63-200-KF |
| | 10 ... 250 | 34510 | FENG-50-250-KF | 10 ... 250 | 34517 | FENG-63-250-KF |
| | 10 ... 320 | 34511 | FENG-50-320-KF | 10 ... 320 | 34518 | FENG-63-320-KF |
| | 10 ... 400 | 150292 | FENG-50-400-KF | 10 ... 400 | 34519 | FENG-63-400-KF |
| | 10 ... 500 | 34512 | FENG-50-500-KF | 10 ... 500 | 34520 | FENG-63-500-KF |
| | For Ø 80 mm | | | For Ø 100 mm | | |
| | 10 ... 50 | 34521 | FENG-80-50-KF | 10 ... 50 | 34529 | FENG-100-50-KF |
| | 10 ... 100 | 34522 | FENG-80-100-KF | 10 ... 100 | 34530 | FENG-100-100-KF |
| | 10 ... 160 | 34523 | FENG-80-160-KF | 10 ... 160 | 34531 | FENG-100-160-KF |
| | 10 ... 200 | 34524 | FENG-80-200-KF | 10 ... 200 | 34532 | FENG-100-200-KF |
| | 10 ... 250 | 34525 | FENG-80-250-KF | 10 ... 250 | 34533 | FENG-100-250-KF |
| | 10 ... 320 | 34526 | FENG-80-320-KF | 10 ... 320 | 34534 | FENG-100-320-KF |
| | 10 ... 400 | 34527 | FENG-80-400-KF | 10 ... 400 | 34535 | FENG-100-400-KF |
| | 10 ... 500 | 34528 | FENG-80-500-KF | 10 ... 500 | 34536 | FENG-100-500-KF |

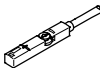
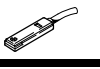
| Ordering data – Guide units for variable strokes | | | | Technical data → Internet: festo | | | |
|---|------------|-------------|--|----------------------------------|-------------|---|--|
| | For Ø [mm] | Stroke [mm] | With recirculating ball bearing guide Part No. Type | For Ø [mm] | Stroke [mm] | With plain-bearing guide Part No. Type | |
|  | 32 | 10 ... 500 | 34487 FENG-32-...-KF | 32 | 10 ... 500 | 34481 FENG-32-...-GF | |
| | 40 | 10 ... 500 | 34488 FENG-40-...-KF | 40 | 10 ... 500 | 34482 FENG-40-...-GF | |
| | 50 | 10 ... 500 | 34489 FENG-50-...-KF | 50 | 10 ... 500 | 34483 FENG-50-...-GF | |
| | 63 | 10 ... 500 | 34490 FENG-63-...-KF | 63 | 10 ... 500 | 34484 FENG-63-...-GF | |
| | 80 | 10 ... 500 | 34491 FENG-80-...-KF | 80 | 10 ... 500 | 34485 FENG-80-...-GF | |
| | 100 | 10 ... 500 | 34492 FENG-100-...-KF | 100 | 10 ... 500 | 34486 FENG-100-...-GF | |



| Ordering data – Slot cover for T-slot | | | |
|---|-----------------------|----------|----------------|
| | Assembly | Length | Part No. Type |
|  | Insertable from above | 2x 0.5 m | 151680 ABP-5-S |


Standard cylinders DNC-C180, to ISO 15552

Accessories

| Ordering data – Proximity sensors for T-slot, magneto-resistive | | | | | | Technical data → Internet: smt | |
|---|--|---------------|-----------------------|------------------|----------|--------------------------------|--|
| | Type of mounting | Switch output | Electrical connection | Cable length [m] | Part No. | Type | |
| N/O contact | | | | | | | |
|  | Insertable in the slot from above, flush with cylinder profile, short design | PNP | Cable, 3-wire | 2.5 | 574335 | SMT-8M-A-PS-24V-E-2,5-OE | |
| | | | Plug M8x1, 3-pin | 0.3 | 574334 | SMT-8M-A-PS-24V-E-0,3-M8D | |
| | | | Plug M12x1, 3-pin | 0.3 | 574337 | SMT-8M-A-PS-24V-E-0,3-M12 | |
| | | NPN | Cable, 3-wire | 2.5 | 574338 | SMT-8M-A-NS-24V-E-2,5-OE | |
| | | | Plug M8x1, 3-pin | 0.3 | 574339 | SMT-8M-A-NS-24V-E-0,3-M8D | |
| N/C contact | | | | | | | |
|  | Insertable in the slot from above, flush with cylinder profile, short design | PNP | Cable, 3-wire | 7.5 | 574340 | SMT-8M-A-PO-24V-E-7,5-OE | |

| Ordering data – Proximity sensors for T-slot, magnetic reed | | | | | | Technical data → Internet: sme | |
|---|--|------------------|-----------------------|------------------|----------|--------------------------------|-------------------------|
| | Type of mounting | Switching output | Electrical connection | Cable length [m] | Part No. | Type | |
| N/O contact | | | | | | | |
|  | Insertable in the slot from above, flush with the cylinder profile | Contacting | Cable, 3-wire | 2.5 | 543862 | SME-8M-DS-24V-K-2,5-OE | |
| | | | | 5.0 | 543863 | SME-8M-DS-24V-K-5,0-OE | |
| | | | Cable, 2-wire | 2.5 | 543872 | SME-8M-ZS-24V-K-2,5-OE | |
| | | | | Plug M8x1, 3-pin | 0.3 | 543861 | SME-8M-DS-24V-K-0,3-M8D |
| N/C contact | | | | | | | |
|  | Insertable in the slot from above, flush with the cylinder profile | Contacting | Cable, 3-wire | 7.5 | 546799 | SME-8M-DO-24V-K-7,5-OE | |

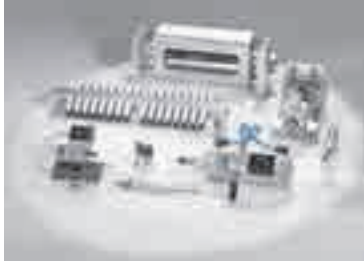
| Ordering data – Connecting cables | | | | | Technical data → Internet: nebu | | |
|---|-------------------------------|------------------------------|------------------|----------|---------------------------------|--|--|
| | Electrical connection, left | Electrical connection, right | Cable length [m] | Part No. | Type | | |
|  | Straight socket, M8x1, 3-pin | Cable, open end, 3-wire | 2.5 | 541333 | NEBU-M8G3-K-2.5-LE3 | | |
| | | | 5 | 541334 | NEBU-M8G3-K-5-LE3 | | |
| | Straight socket, M12x1, 5-pin | Cable, open end, 3-wire | 2.5 | 541363 | NEBU-M12G5-K-2.5-LE3 | | |
| | | | 5 | 541364 | NEBU-M12G5-K-5-LE3 | | |
|  | Angled socket, M8x1, 3-pin | Cable, open end, 3-wire | 2.5 | 541338 | NEBU-M8W3-K-2.5-LE3 | | |
| | | | 5 | 541341 | NEBU-M8W3-K-5-LE3 | | |
| | Angled socket, M12x1, 5-pin | Cable, open end, 3-wire | 2.5 | 541367 | NEBU-M12W5-K-2.5-LE3 | | |
| | | | 5 | 541370 | NEBU-M12W5-K-5-LE3 | | |

| Ordering data – One-way flow control valves | | | | Technical data → Internet: grla | | |
|---|-------------------------------|-----------------|--------------|---------------------------------|--|--|
| | Connection | | Material | Part No. | Type | |
| | Thread | For tubing O.D. | | | | |
|  | G ¹ / ₈ | 3 | Metal design | 193142 | GRLA- ¹ / ₈ -QS-3-D | |
| | | 4 | | 193143 | GRLA- ¹ / ₈ -QS-4-D | |
| | | 6 | | 193144 | GRLA- ¹ / ₈ -QS-6-D | |
| | | 8 | | 193145 | GRLA- ¹ / ₈ -QS-8-D | |
| | G ¹ / ₄ | 6 | | 193146 | GRLA- ¹ / ₄ -QS-6-D | |
| | | 8 | | 193147 | GRLA- ¹ / ₄ -QS-8-D | |
| | | 10 | | 193148 | GRLA- ¹ / ₄ -QS-10-D | |
| | G ³ / ₈ | 6 | | 193149 | GRLA- ³ / ₈ -QS-6-D | |
| | | 8 | | 193150 | GRLA- ³ / ₈ -QS-8-D | |
| | | 10 | | 193151 | GRLA- ³ / ₈ -QS-10-D | |
| | G ¹ / ₂ | 12 | | 193152 | GRLA- ¹ / ₂ -QS-12-D | |

Product Range and Company Overview

A Complete Suite and Company Overview

Our experienced engineers provide complete support at every stage of your development process, including: conceptualization, analysis, engineering, design, assembly, documentation, validation, and production.



Custom Automation Components
Complete custom engineered solutions



Custom Control Cabinets
Comprehensive engineering support and on-site services



Complete Systems
Shipment, stocking and storage services

The Broadest Range of Automation Components

With a comprehensive line of more than 30,000 automation components, Festo is capable of solving the most complex automation requirements.



Electromechanical
Electromechanical actuators, motors, controllers & drivers



Pneumatics
Pneumatic linear and rotary actuators, valves, and air supply



PLCs and I/O Devices
PLC's, operator interfaces, sensors and I/O devices

Supporting Advanced Automation... As No One Else Can!

Festo is a leading global manufacturer of pneumatic and electromechanical systems, components and controls for industrial automation, with more than 16,000 employees in 60 national headquarters serving more than 180 countries. For more than 80 years, Festo has continuously elevated the state of manufacturing with innovations and optimized motion control solutions that deliver higher performing, more profitable automated manufacturing and processing equipment. Our dedication to the advancement of automation extends beyond technology to the education and development of current and future automation and robotics designers with simulation tools, teaching programs, and on-site services.

Quality Assurance, ISO 9001 and ISO 14001 Certifications

Festo Corporation is committed to supply all Festo products and services that will meet or exceed our customers' requirements in product quality, delivery, customer service and satisfaction.

To meet this commitment, we strive to ensure a consistent, integrated, and systematic approach to management that will meet or exceed the requirements of the ISO 9001 standard for Quality Management and the ISO 14001 standard for Environmental Management.

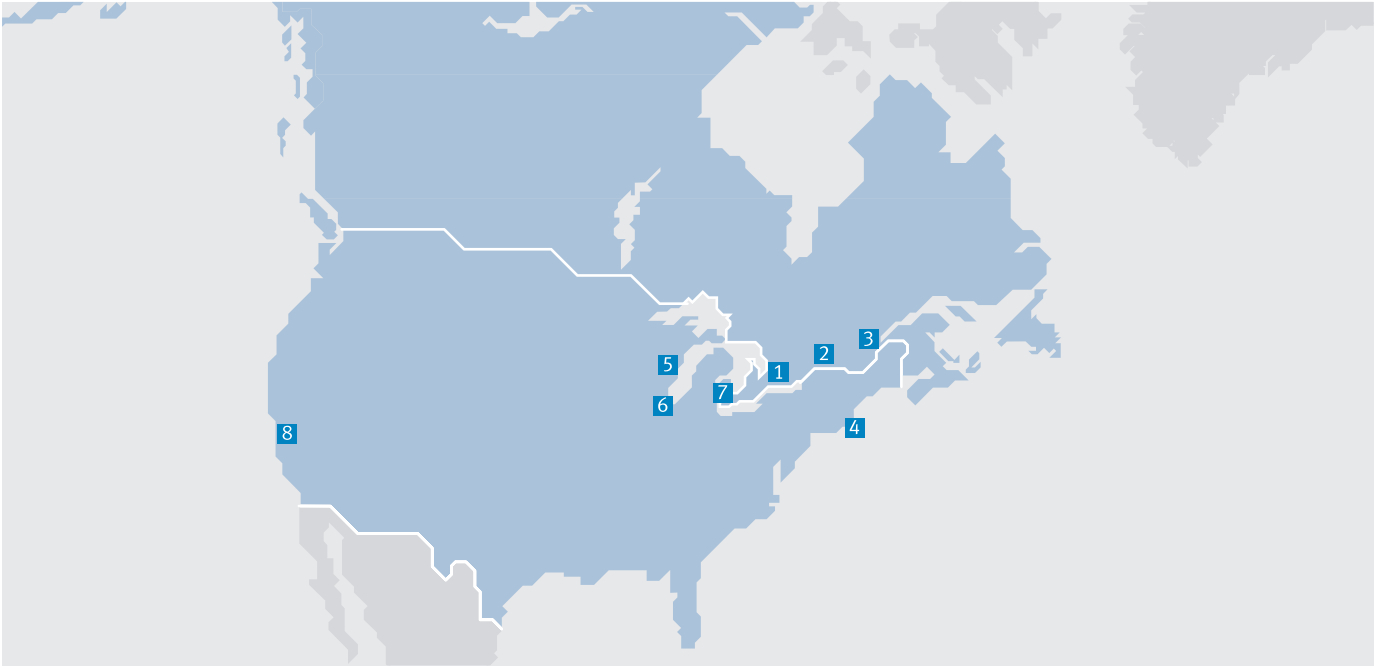


© Copyright 2013, Festo Corporation. While every effort is made to ensure that all dimensions and specifications are correct, Festo cannot guarantee that publications are completely free of any error, in particular typing or printing errors. Accordingly, Festo cannot be held responsible for the same. For Liability and Warranty conditions, refer to our "Terms and Conditions of Sale", available from your local Festo office. All rights reserved. No part of this publication may be reproduced, distributed, or transmitted in any form or by any means, electronic, mechanical, photocopying or otherwise, without the prior written permission of Festo. All technical data subject to change according to technical update.



Printed on recycled paper at New Horizon Graphic, Inc., FSC certified as an environmental friendly printing plant.

Festo North America



**1 Festo Canada
Headquarters
Festo Inc.**
5300 Explorer Drive
Mississauga, ON
L4W 5G4

2 Montréal
5600, Trans-Canada
Pointe-Claire, QC
H9R 1B6

3 Québec City
2930, rue Watt#117
Québec, QC
G1X 4G3



**4 Festo United States
Headquarters
Festo Corporation**
395 Moreland Road
Hauppauge, NY
11788

5 Appleton
North 922 Tower View Drive, Suite N
Greenville, WI
54942

7 Detroit
1441 West Long Lake Road
Troy, MI
48098

6 Chicago
85 W Algonquin - Suite 340
Arlington Heights, IL
60005

8 Silicon Valley
4935 Southfront Road, Suite F
Livermore, CA
94550

Festo Regional Contact Center

Canadian Customers

Commercial Support:
Tel: 1 877 GO FESTO (1 877 463 3786)
Fax: 1 877 FX FESTO (1 877 393 3786)
Email: festo.canada@ca.festo.com

Technical Support:
Tel: 1 866 GO FESTO (1 866 463 3786)
Fax: 1 877 FX FESTO (1 877 393 3786)
Email: technical.support@ca.festo.com

USA Customers

Commercial Support:
Tel: 1 800 99 FESTO (1 800 993 3786)
Fax: 1 800 96 FESTO (1 800 963 3786)
Email: customer.service@us.festo.com

Technical Support:
Tel: 1 866 GO FESTO (1 866 463 3786)
Fax: 1 800 96 FESTO (1 800 963 3786)
Email: product.support@us.festo.com