

Fluidic Muscle DMSP/MAS



# Fluidic Muscle DMSP/MAS

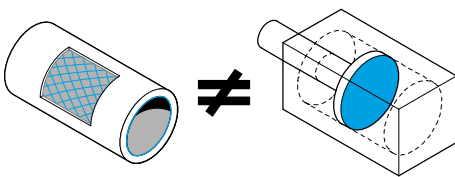
Key features

## Mode of operation

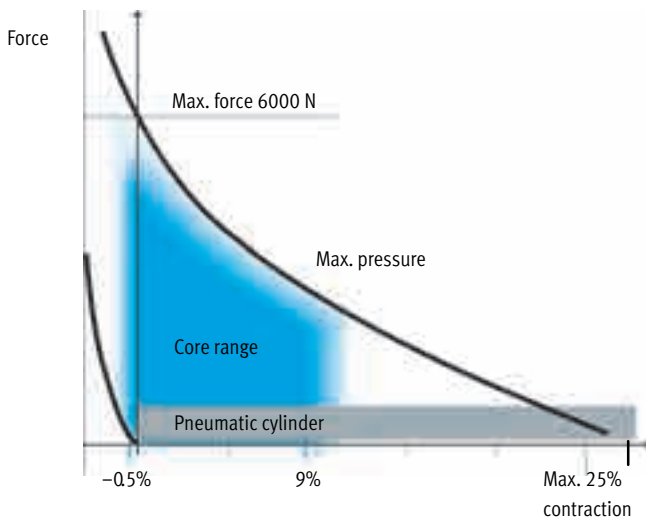


Fluidic Muscle is a tensile actuator which mimics the natural movement of a muscle. It consists of contractible tubing and appropriate connectors. The contractible tubing is made up of a rubber diaphragm with a non-crimped fibre made of aramid yarns on the inside. The diaphragm provides a hermetic seal enclosing the operating medium. The yarns serve as a reinforcement and trans-

mit power. When internal pressure is applied, diaphragm extends in the circumferential direction. This creates a tensile force and a contraction motion in the longitudinal direction. The usable tensile force is at its maximum at the start of the contraction and then decreases with the stroke.



## Force profile and operating range



The muscle expands lengthways when it is pretensioned by an external force. When pressurised, on the other hand, the muscle contracts, i.e. its length decreases.

## Areas of application

### Clamping

- High force combined with a small diameter
- Insensitive to dirt
- Frictionless movement
- Hermetically sealed

### Vibrating and shaking

- Frequency up to 150 Hz
- Amplitude/frequency can be adjusted independently of each other
- Insensitive to dirt

### Pneumatic spring

- Adjustable spring force
- Frictionless movement
- Hermetically sealed
- Easy to handle

### Other

- Positioning using pressure
- High acceleration of a load

# Fluidic Muscle DMSP/MAS

Key features

## Fluidic Muscle DMSP with press-fitted connection

→ 11



In the DMSP, the diaphragm is crimped by means of a sleeve and the adapters are integrated.

The DMSP is further distinguished from the MAS by its compact design (25% smaller cross section, 30% lighter).

## Fluidic Muscle MAS with screwed connections

→ 20



In the MAS, the diaphragm is clamped by means of a threaded connection. Adapter and threaded rod are available separately.

The MAS is optionally available with force limiter.

## Nominal length

The nominal length of the Fluidic Muscle is defined in the non-pressurised, load-free state. It corresponds to the visible muscle length between the connections (→ 16).

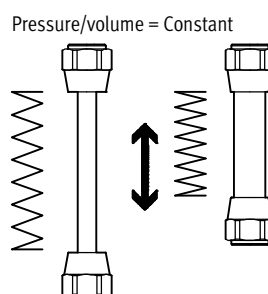
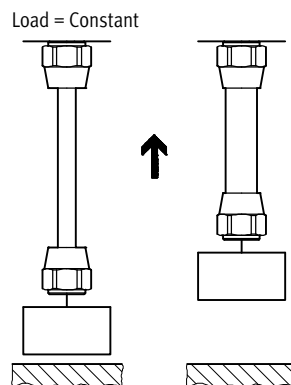
## Single-acting actuator

Sizing examples → 33

In the simplest case, the Fluidic Muscle operates as a single-acting actuator against a mechanical spring or a load. The mechanical spring pretensions the muscle out of its normal position when in the expanded, non-pressurised state. Ideal: 0.5% of nominal length. This operating state is ideal with regard to the technical properties of the Fluidic Muscle: in the unpressurised state, the diaphragm is not compressed. When pressurised, a muscle pretensioned in this way develops maximum force with optimum dynamic characteristics and minimum air consumption.

The most effective operating range is provided with contractions below 9%. The smaller the degree of contraction of the Fluidic Muscle, the more effectively it works.

The muscle behaves like a spring when there is a change in external force: it follows the application of force. With the Fluidic Muscle, both the pretensioning force of this “pneumatic spring” and its spring stiffness can be varied. The Fluidic Muscle can be operated as a spring with constant pressure or constant volume. This produces different spring characteristics that enable the spring effect to be matched perfectly to the application.



- - Note

If the muscle is fed with compressed air and the volume is blocked, the pressure in the muscle can increase significantly when the external force is varied.

# Fluidic Muscle DMSP/MAS

Key features

## Sizing

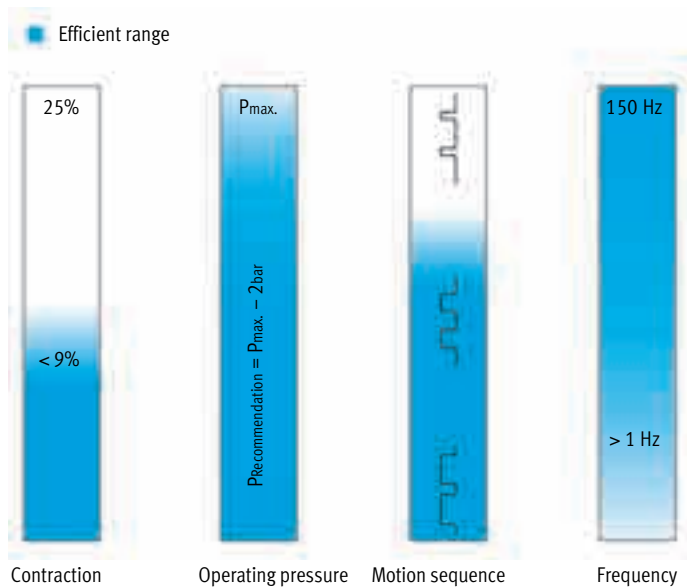
The simplest and most reliable way to ensure correct sizing is by going through the specialist department “Membrane Technologies” at Festo. Otherwise, calculation software is available to help you size the Fluidic Muscle. You can also use the force/displacement graphs to make a rough estimate.

Sizing of the Fluidic Muscle is explained using examples → 33.

 Note

Do you need technical support?  
We will be happy to help!

Membrane Technologies  
→ [membranetechnologie@festo.com](mailto:membranetechnologie@festo.com)



 Note

- Kinking, compression or torsion are not permissible  
→ lead to failure of the diaphragm
- Pretensioning by up to 0.5% will prevent kinking and compression
- Avoid unpressurised state  
→ residual pressure up to 0.5 bar

# Fluidic Muscle DMSP/MAS

Application examples

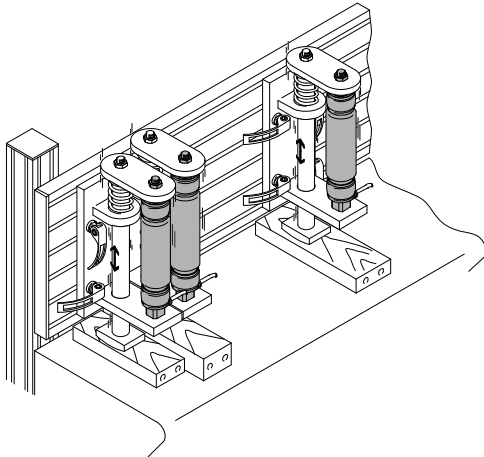
FESTO

## Successful areas of application

### Clamping

- High force combined with a small diameter
- Insensitive to dirt
- Frictionless movement
- Hermetically sealed

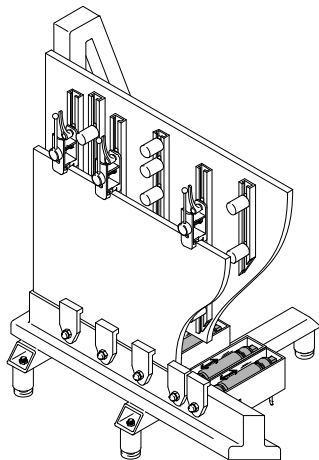
### Clamping workpieces



High forces combined with a small diameter? Not a problem for the Fluidic Muscle.

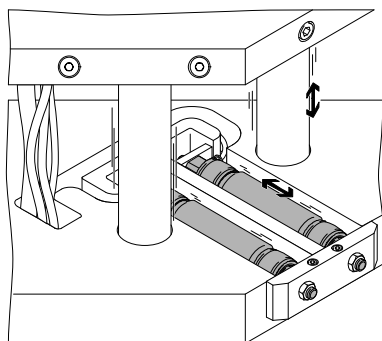
Thanks to its small diameter, it can be integrated and used in the smallest of spaces, e.g. when clamping workpieces. It has an initial force 10 times higher than that of a conventional pneumatic cylinder.

### Clamping metal sheets



The Fluidic Muscle enables large and unwieldy workpieces, such as plates, walls and side covers, to be easily clamped so they can be machined (turning, drilling, milling). This brings out the muscle's outstanding characteristics, such as high force combined with a small diameter, frictionless and thus jerk-free movement, insensitivity to dirt (swarf, abraded particles) and hermetically sealed design.

### Clamping parts to be joined



In joining processes such as those that take place in welding machines, the components to be welded are held in place by the Fluidic Muscle during the joining procedure. Here, too, the muscle can make the most of its high force combined with a small diameter.

# Fluidic Muscle DMSP/MAS

Application examples

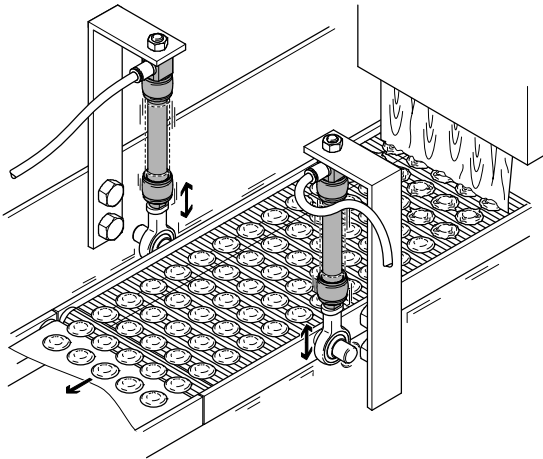
FESTO

## Successful areas of application

### Vibrating and shaking

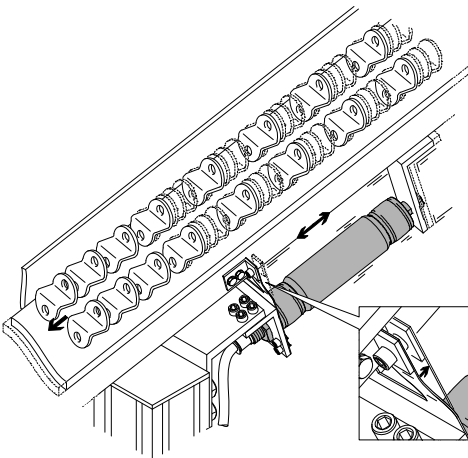
- Frequency up to 150 Hz
- Amplitude/frequency can be adjusted independently of each other
- Insensitive to dirt

### Distributing



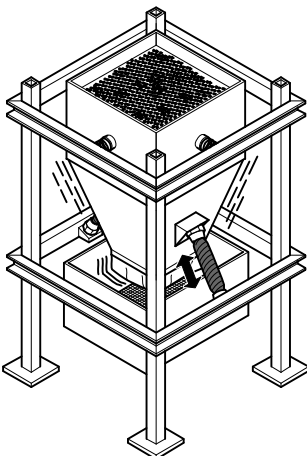
When a viscous coating agent is applied to a fixed substance carrier, a vibrating support is required to ensure even distribution over the surface. In the case of strokes of less than 1 mm, the Fluidic Muscle can achieve cycle rates of up to 150 Hz.

### Conveying



The Fluidic Muscle is exceptionally well suited to transporting or aligning parts. Amplitude and cycle rate can be adjusted simply and independently of each other. The muscle's flexibility makes it possible to set the optimum conveying speed for any conveying process.

### Releasing



Hoppers and silos are often susceptible to problems, such as a "jamming arch" forming during feeding. In practice, discharge aids such as vibrators or knockers are used to prevent such a jam from forming. This function can be implemented with the help of the Fluidic Muscle. The frequency can be set in an infinitely adjustable manner up to 150 Hz, independently of the amplitude. This guarantees a continuous conveying process.

# Fluidic Muscle DMSP/MAS

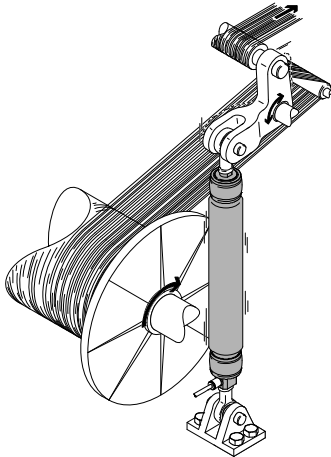
Application examples

## Successful areas of application

### Pneumatic spring

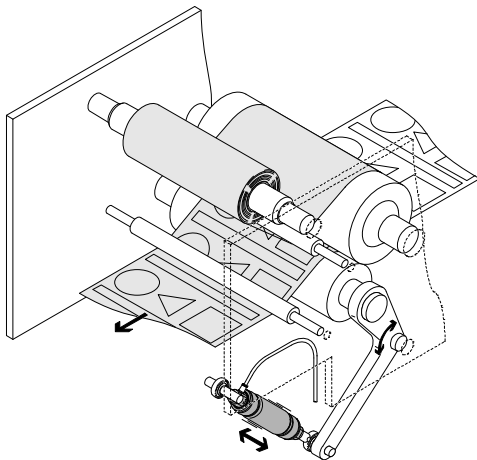
- Adjustable spring force
- Frictionless movement
- Hermetically sealed
- Easy to handle

### Stress equalisation



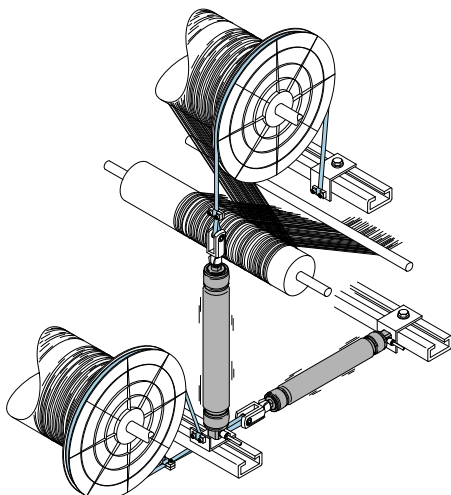
In all applications in which threads, films, papers or tapes are transported or wound and unwound using rollers, high stresses develop (peak stresses) and the continuous material being transported can tear. With its adjustable spring force and frictionless movement, the Fluidic Muscle can absorb these stresses. The muscle stands out because of the simple adjustment of the spring strength by means of the pressure and hence by its ease of use. Changes to the process require a change of the mechanical spring and weights. The Fluidic Muscle is an excellent replacement for existing solutions using loads and mechanical springs.

### Adjustable contact pressure



The Fluidic Muscle is exceptionally well suited to pressing on rollers. The contact pressure can be varied using the operating pressure. The design means that components do not become stuck and there are thus no peak forces. The Fluidic Muscle is hermetically sealed and can be disconnected from the compressed air supply. It will nevertheless continue to perform its function.

### Brakes for tension regulation



The spring properties of the Fluidic Muscle make it exceptionally well suited to regulating the thread tension when winding threads. The tension in the threads is always as high as it needs to be for the process in question. This means that the optimum thread tension is always available, leading to better protection of the threads and counteracting wear on all components.

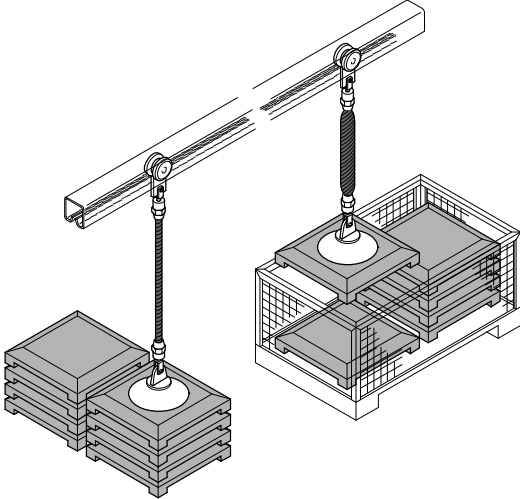
# Fluidic Muscle DMSP/MAS

Application examples

FESTO

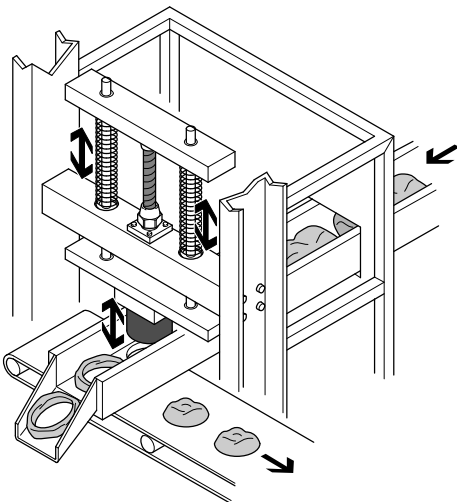
## Other possible applications

### Lifting aid



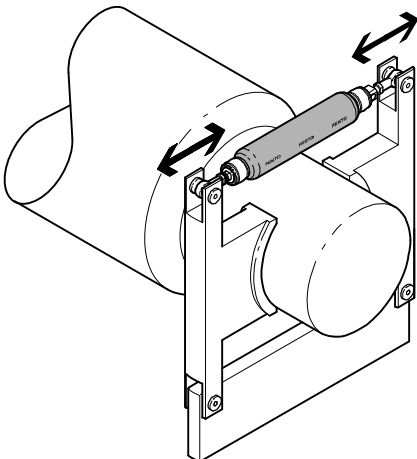
Achieving intermediate positions? Very simple, using pressure regulation: the workpieces can be raised or lowered as required by pressurising or exhausting the muscle via a hand lever valve. Muscle lengths up to 9 m facilitate various types of application.

### Punching



Very high cycle rates can be achieved with the muscle, on the one hand because of its low weight and on the other because it has no moving parts (e.g. a piston). The simple design – one muscle pretensioned using two springs – replaces a complicated toggle lever clamping system using cylinders.

### Emergency stop device

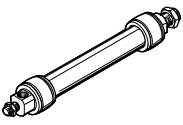
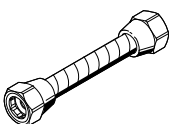


The Fluidic Muscle is setting benchmarks in applications that require fast response times. The emergency stop for rollers demands both speed and a high initial force. This can prevent risks to the operator in the event of malfunctions.



# Fluidic Muscle DMSP/MAS

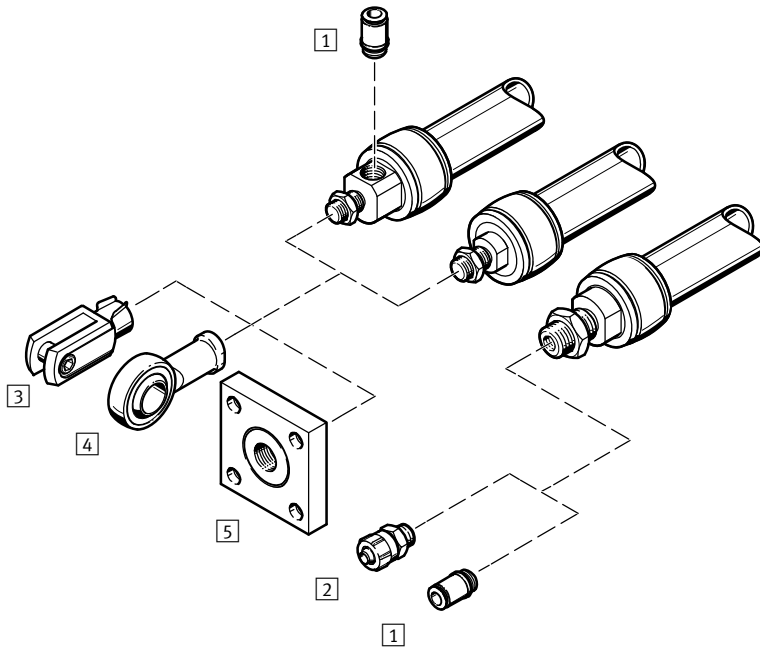
Product range overview

Function	Version	Type	I.D. [mm]	Nominal length [mm]	Lifting force [N]
Single-acting, pulling	<b>Fluidic Muscle with press-fitted connection</b>				
		DMSP	5	30 ... 1000	0 ... 140
			10	40 ... 9000	0 ... 630
			20	60 ... 9000	0 ... 1500
			40	120 ... 9000	0 ... 6000
	<b>Fluidic Muscle with screwed connection</b>				
		MAS	10	40 ... 9000	0 ... 630
			20	60 ... 9000	0 ... 1500
40			120 ... 9000	0 ... 6000	

Type	I.D. [mm]	Max. permissible pretensioning	Max. permissible contraction	Operating pressure [bar]	→ Page/Internet
<b>Fluidic Muscle with press-fitted connections</b>					
DMSP	5	1% of nominal length	20% of nominal length	0 ... 6	11
	10	3% of nominal length	25% of nominal length	0 ... 8	
	20	4% of nominal length	25% of nominal length	0 ... 6	
	40	5% of nominal length	25% of nominal length	0 ... 6	
<b>Fluidic Muscle with screwed connection</b>					
MAS	10	3% of nominal length	25% of nominal length	0 ... 8	20
	20	4% of nominal length	25% of nominal length	0 ... 6	
	40	5% of nominal length	25% of nominal length	0 ... 6	

## Fluidic Muscle DMSP with press-fitted connection

Peripherals overview



Accessories		Description	Size				→ Page/Internet
			5	10	20	40	
1	Push-in fittings QSM/QS	For connecting compressed air tubing with standard outside diameters	■	■	■	■	quick star
2	Quick connectors CK	For connecting compressed air tubing with standard internal diameters	-	■	■	■	ck
3	Rod clevis SG	Permits swivel motion of the Fluidic Muscle in one plane	■	■	■	■	19
4	Rod eye SGS	With spherical bearing	■	■	■	■	19
5	Coupling pieces KSZ	To compensate for radial deviations	■	■	■	■	19
	Coupling pieces KSG	To compensate for radial deviations	-	■	■	■	19

## Fluidic Muscle DMSP with press-fitted connection

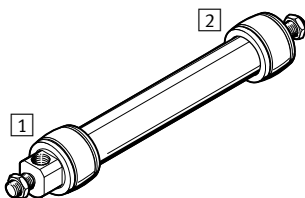
Type codes

		DMSP	-	5	-	500N	-	RM	-	CM	-	
<b>Drive function</b>												
Single-acting, pulling												
DMSP	Fluidic Muscle											
<b>I.D. [mm]</b>												
<b>Nominal length [mm]</b>												
...N	30 ... 9000											
<b>First connection</b>												
RM	Pneumatic connection, radial											
AM	Pneumatic connection, axial											
<b>Second connection</b>												
RM	Pneumatic connection, radial											
AM	Pneumatic connection, axial											
CM	No pneumatic connection, with male thread											
CF	No pneumatic connection, with female thread											
<b>Operating instructions</b>												
-	Standard											
DN	Express waiver – no operating instructions to be included (already available)											

### Variants

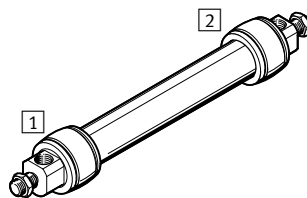
DMSP-...-RM-CM

- 1 Radial connection
- 2 No connection, with male thread



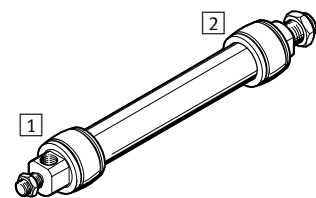
DMSP-...-RM-RM

- 1 Radial connection
- 2 Radial connection



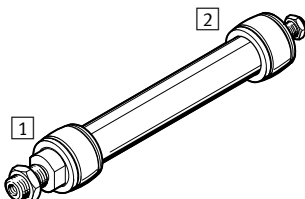
DMSP-...-RM-AM

- 1 Radial connection
- 2 Axial connection



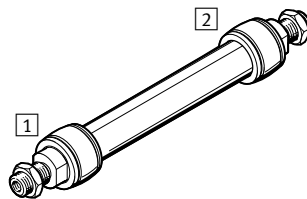
DMSP-...-AM-CM

- 1 Axial connection
- 2 No connection, with male thread



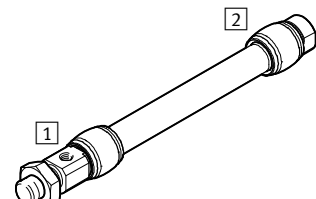
DMSP-...-AM-AM

- 1 Axial connection
- 2 Axial connection



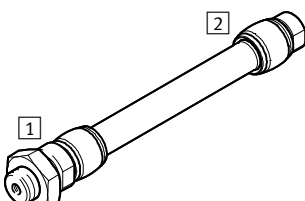
DMSP-...-RM-CF (DMSP-5)

- 1 Radial connection
- 2 No connection, with female thread



DMSP-...-AM-CF (DMSP-5)

- 1 Axial connection
- 2 No connection, with female thread



## Fluidic Muscle DMSP with press-fitted connection

Technical data



Size  
5 ... 40

Nominal length  
30 ... 9000 mm

Lifting force  
0 ... 6000 N



General technical data				
Size	5	10	20	40
Pneumatic connection	M3	G1/8	G1/4	G3/8
Design	Contracting diaphragm			
Mode of operation	Single-acting, pulling			
I.D. [mm]	5	10	20	40
Nominal length [mm]	30 ... 1000	40 ... 9000	60 ... 9000	120 ... 9000
Stroke [mm]	0 ... 200	0 ... 2250	0 ... 2250	0 ... 2250
Max. additional load, freely suspended [kg]	5	30	80	250
Max. permissible pretensioning <sup>1)</sup>	1% of nominal length	3% of nominal length	4% of nominal length	5% of nominal length
Max. permissible contraction	20% of nominal length	25% of nominal length		
Max. perm. offset of connections	Angle tolerance: ≤ 1.0° Parallelism tolerance: ± 0.5 % (up to 400 mm nominal length), ≤ 2 mm (from 400 mm nominal length)			
Type of mounting	Via accessories			
Mounting position	Any (an external guide is required if lateral forces occur)			

1) The max. pretensioning is achieved when the max. permissible freely suspended payload is attached.

Operating and environmental conditions				
Size	5	10	20	40
Operating pressure [bar]	0 ... 6	0 ... 8	0 ... 6	0 ... 6
Operating medium	Compressed air according to ISO 8573-1:2010 [7:-:-]			
Note on operating/pilot medium	Lubricated operation possible (in which case lubricated operation will always be required)			
Ambient temperature [°C]	-5 ... +60			
Corrosion resistance class CRC <sup>1)</sup>	2			

1) Corrosion resistance class CRC 2 to Festo standard FN 940070  
Moderate corrosion stress. Indoor applications in which condensation may occur. External visible parts with primarily decorative requirements for the surface and which are in direct contact with the ambient atmosphere typical for industrial applications.

Forces [N] at max. permissible operating pressure				
Size	5	10	20	40
Theoretical force <sup>1)</sup>	140	630	1500	6000

1) For minimum nominal length, the force is reduced by approx. 10%.

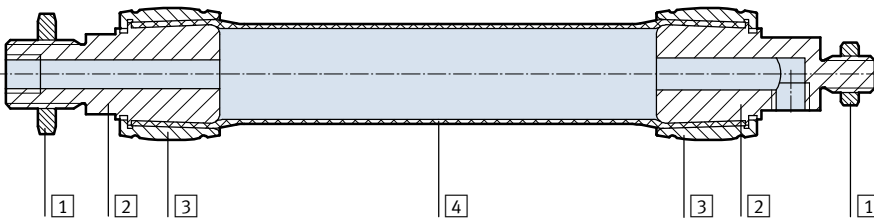
## Fluidic Muscle DMSP with press-fitted connection

Technical data

<b>Weight [g]</b>				
Size	5	10	20	40
Product weight for 0 m length				
DMSP-...-RM-CM	10	58	169	675
DMSP-...-RM-RM	11	66	182	707
DMSP-...-RM-AM	12	75	202	767
DMSP-...-AM-CM	12	66	189	735
DMSP-...-AM-AM	14	83	222	827
DMSP-...-RM-CF	7	–	–	–
DMSP-...-AM-CF	9	–	–	–
Additional weight per 1 m length	27	94	178	340

### Materials

Sectional view



<b>Fluidic Muscle</b>	
<b>1</b> Nut	Galvanised steel
<b>2</b> Flange	Clear anodised wrought aluminium alloy
<b>3</b> Sleeve	Clear anodised wrought aluminium alloy
<b>4</b> Diaphragm	AR, CR
Note on materials	Free of copper and PTFE
	Contains paint-wetting impairment substances

## Fluidic Muscle DMSP with press-fitted connection

Technical data

### Permissible force $F$ [N] as a function of the contraction $h$ [%] of the nominal length

Force/displacement diagrams and sizing ranges

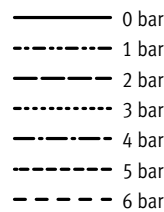
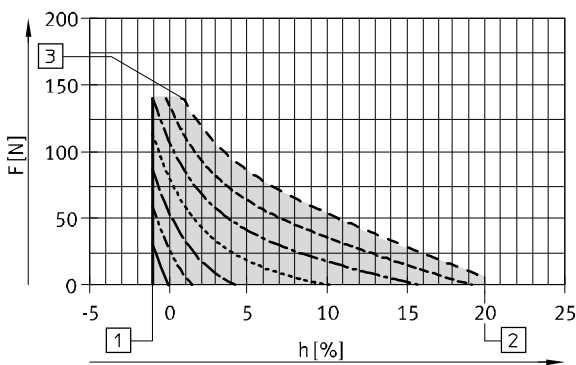
The limits specified in the technical data must be complied with when using the Fluidic Muscle. The graphs below illustrate the operating range of the Fluidic Muscle as a function of the diameter, within the limits shown below.

#### Using the graphs

1. The upper limit of the grey area indicates the maximum permissible force.
2. The right limiting curve of the grey area indicates the maximum permissible operating pressure.
3. The right vertical limit of the grey area indicates the maximum permissible contraction.
4. The left limit of the grey area indicates the load limit of the muscle in terms of the maximum permissible pretensioning.

#### Operating range DMSP-5-100N-...

Sizing examples → 33

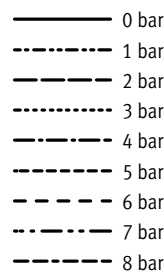
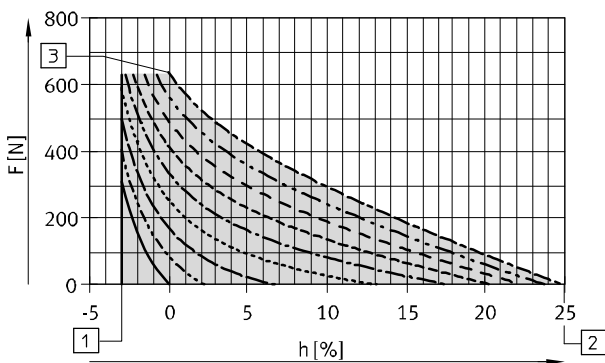


- 1 Max. permissible pretensioning
- 2 Max. permissible contraction
- 3 Theoretical force (140 N) at max. operating pressure

■ Permissible operating range

#### Operating range DMSP-10-100N-...

Sizing examples → 33



- 1 Max. permissible pretensioning
- 2 Max. permissible contraction
- 3 Theoretical force (630 N) at max. operating pressure

■ Permissible operating range

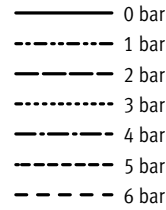
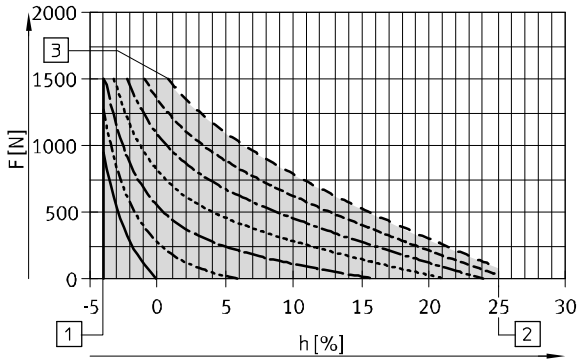
# Fluidic Muscle DMSP with press-fitted connection

Technical data

## Permissible force F [N] as a function of the contraction h [%] of the nominal length

Operating range DMSP-20-200N-...

Sizing examples → 33

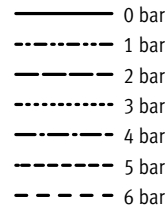
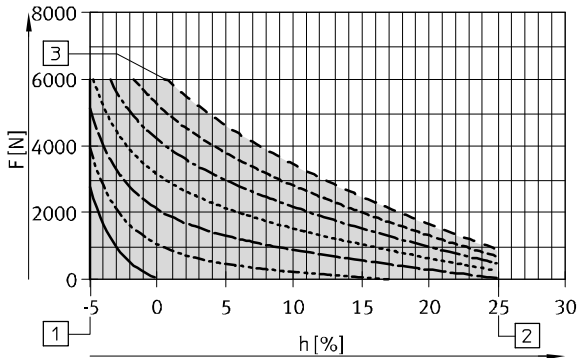


- 1 Max. permissible pretensioning
- 2 Max. permissible contraction
- 3 Theoretical force (1500 N) at max. operating pressure

■ Permissible operating range

Operating range DMSP-40-400N-...

Sizing examples → 33



- 1 Max. permissible pretensioning
- 2 Max. permissible contraction
- 3 Theoretical force (6000 N) at max. operating pressure

■ Permissible operating range

**Note**

The actual value of the force as a factor of the contraction can vary according to the product characteristics and the ambient conditions present. The deviation can be compensated if the pressure is adapted up to the maximum permissible operating pressure.

The simplest and most reliable way to ensure correct sizing is by going through the specialist department “Membrane Technologies” at Festo.

We can take all the crucial parameters for your application into consideration.

We will be happy to help!

Membrane Technologies  
→ [membranetechnologie@festo.com](mailto:membranetechnologie@festo.com)

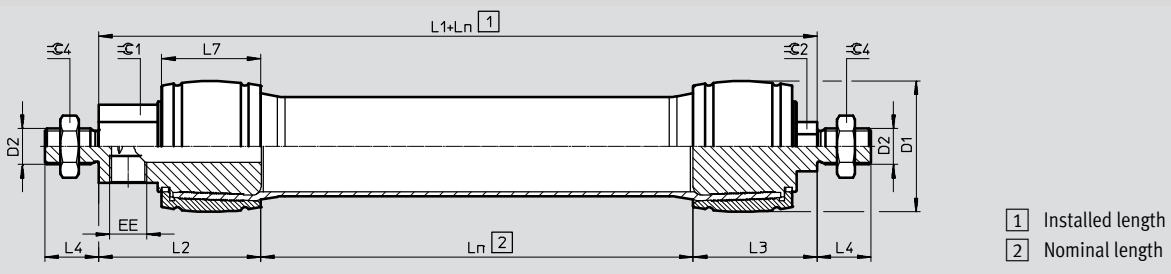
# Fluidic Muscle DMSP with press-fitted connection

Technical data

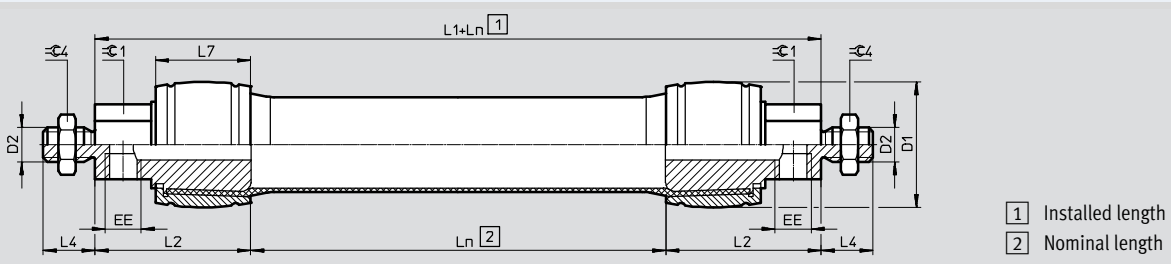
**Dimensions**

Download CAD data → [www.festo.com](http://www.festo.com)

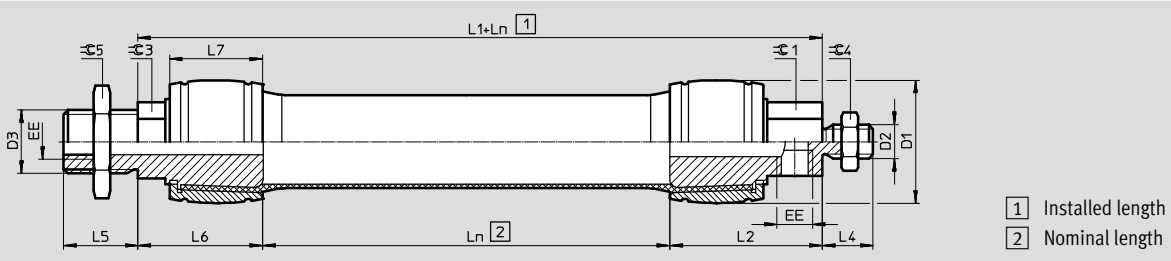
DMSP-...-RM-CM – pneumatic connection, radial – no connection, with male thread



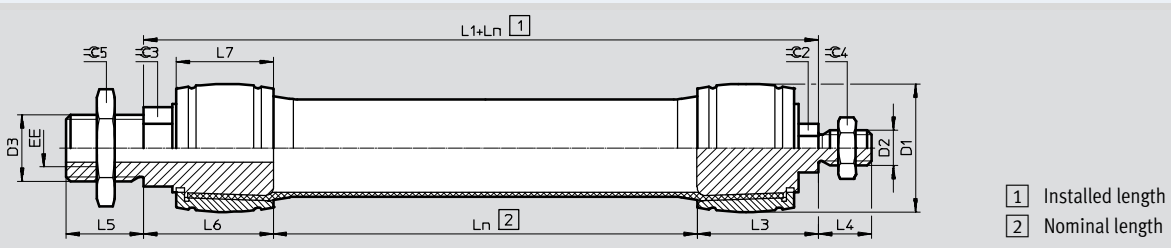
DMSP-...-RM-RM – pneumatic connection, radial – pneumatic connection, radial



DMSP-...-AM-RM – pneumatic connection, axial – pneumatic connection, radial



DMSP-...-AM-CM – pneumatic connection, axial – no connection, with male thread



Size	D1 max.	D2	D3	EE <sup>2)</sup>	Ln <sup>1)</sup>		L1				L2
					min.	max.	RM-CM	RM-RM	AM-RM	AM-CM	
5	11	M6	M8	M3	30	1000	33	37	33	29	18.5
10	22	M8	M16x1.5	G1/8	40	9000	62	72	63	53	36
20	35	M10x1.25	M20x1.5	G1/4	60		95	113	97	79	56.5
40	57	M16x1.5	M30x1.5	G3/8	120		127	144	131	114	72

Size	L3	L4	L5	L6	L7	∅C1 <sup>2)</sup>	∅C2 <sup>2)</sup>	∅C3 <sup>2)</sup>	∅C4	∅C5
5	14.5	10	10	14.5	10	8	8	10	13	13
10	26	15	16	27	19	17	10	17	13	24
20	38.5	20	18	40.5	30	19	12	20	17	30
40	55	24	35	59	44	30	19	30	24	46

1) Tolerance < 100 mm ±1 mm, 100 ... 400 mm ±1%, > 400 mm ±4 mm.

2) Parallel orientation of the spanner flats on the left and right connection side can lead to deviations (for production reasons).



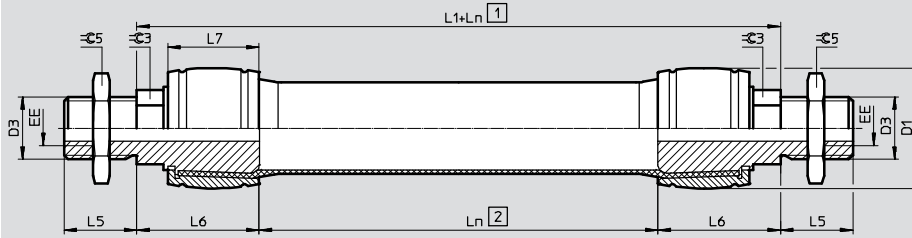
# Fluidic Muscle DMSP with press-fitted connection

Technical data

## Dimensions

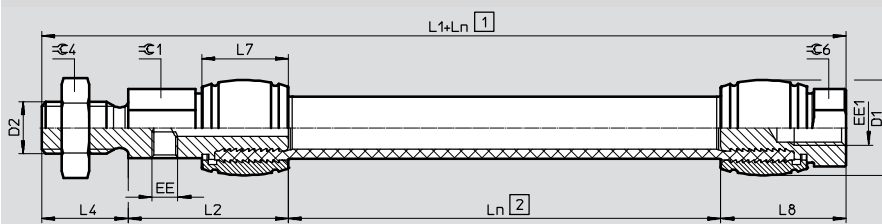
Download CAD data → [www.festo.com](http://www.festo.com)

DMSP...-AM-AM – pneumatic connection, axial – pneumatic connection, axial



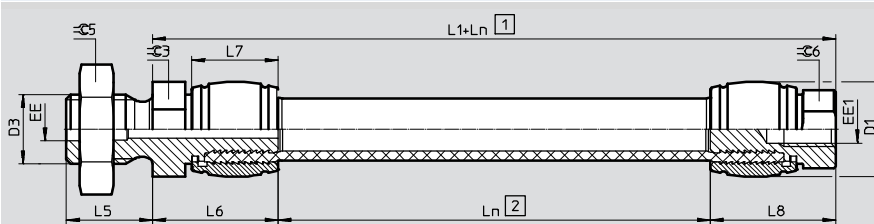
- 1 Installed length
- 2 Nominal length

DMSP...-RM-CF – pneumatic connection, radial – no connection, with female thread



- 1 Installed length
- 2 Nominal length

DMSP...-AM-CF – pneumatic connection, axial – no connection, with female thread



- 1 Installed length
- 2 Nominal length

Size	D1 max.	D2	D3	EE	EE1	Ln <sup>1)</sup>		L1			L2
						min.	max.	AM-AM	RM-CF	AM-CF	
5	11	M6	M8	M3	M4	30	1000	29	33	29	18.5
10	22	M8	M16x1.5	G $\frac{1}{8}$	-	40	9000	54	-	-	36
20	35	M10x1.25	M20x1.5	G $\frac{1}{4}$	-	60		81	-	-	56.5
40	57	M16x1.5	M30x1.5	G $\frac{3}{8}$	-	120		118	-	-	72

Size	L4	L5	L6	L7	L8	∅1 <sup>2)</sup>	∅3 <sup>2)</sup>	∅4	∅5	∅6
5	10	10	14.5	10	14.5	8	10	13	13	8
10	15	16	27	19	-	17	17	13	24	-
20	20	18	40.5	30	-	19	20	17	30	-
40	24	35	59	44	-	30	30	24	46	-

1) Tolerance < 100 mm ±1 mm, 100 ... 400 mm ±1%, > 400 mm ±4 mm.

2) Parallel orientation of the spanner flats on the left and right connection side can lead to deviations (for production reasons).

## Diameter expansion at maximum contraction

Size	5	10	20	40
[mm]	12	24	40	80

## Fluidic Muscle DMSP with press-fitted connection

Ordering data – Modular products

Ordering table							
Size	5	10	20	40	Condi- tions	Code	Entry code
<b>M</b> Module no.	<b>3733012</b>	<b>541403</b>	<b>541404</b>	<b>541405</b>			
Function	Fluidic Muscle with press-fitted connection						<b>DMSP</b>
Size [mm]	5	10	20	40		-...	DMSP
Nominal length [mm]	30 ... 1000	40 ... 9000	60 ... 9000	120 ... 9000		-... N	-... N
First connection	Radial, male thread Mounting thread/supply port M6 / M3   M8 / G $\frac{1}{8}$   M10x1.25 / G $\frac{1}{4}$   M16x1.5 / G $\frac{3}{8}$					<b>-RM</b>	
	Axial, male thread Mounting thread/supply port M8 / M3   M16x1.5 / G $\frac{1}{8}$   M20x1.5 / G $\frac{1}{4}$   M30x1.5 / G $\frac{3}{8}$					<b>-AM</b>	
Second connection	Closed, male thread Mounting thread M6   M8   M10x1.25   M16x1.5					<b>-CM</b>	
	Closed, female thread Mounting thread M4					<b>-CF</b>	
	Radial, male thread Mounting thread/supply port M6 / M3   M8 / G $\frac{1}{8}$   M10x1.25 / G $\frac{1}{4}$   M16x1.5 / G $\frac{3}{8}$					<b>-RM</b>	
	Axial, male thread Mounting thread/supply port M8 / M3   M16x1.5 / G $\frac{1}{8}$   M20x1.5 / G $\frac{1}{4}$   M30x1.5 / G $\frac{3}{8}$					<b>-AM</b>	
	Standard						
	Express waiver – no operating instructions to be included (already available)					<b>-DN</b>	
Operating instructions							

**M** Mandatory data


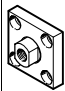
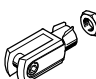
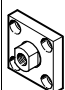
Transfer order code

**DMSP** -  -  **... N** -  -  -

## Fluidic Muscle DMSP with press-fitted connection

**FESTO**

Accessories

Ordering data				Technical data → Internet: piston-rod attachment			
Description	For size	Part No.	Type	Description	For size	Part No.	Type
<b>Rod eye SGS</b>				<b>Coupling piece KSG</b>			
	5	<b>9254</b>	<b>SGS-M6</b>		5	–	
	10	<b>9255</b>	<b>SGS-M8</b>		10	–	
	20	<b>9261</b>	<b>SGS-M10x1,25</b>		20	<b>32963</b>	<b>KSG-M10x1,25</b>
	40	<b>9263</b>	<b>SGS-M16x1,5<sup>1)</sup></b>		40	<b>32965</b>	<b>KSG-M16x1,5</b>
<b>Rod clevis SG</b>				<b>Coupling piece KSZ</b>			
	5	<b>3110</b>	<b>SG-M6</b>		5	<b>36123</b>	<b>KSZ-M6</b>
	10	<b>3111</b>	<b>SG-M8</b>		10	<b>36124</b>	<b>KSZ-M8</b>
	20	<b>6144</b>	<b>SG-M10x1,25</b>		20	<b>36125</b>	<b>KSZ-M10x1,25</b>
	40	<b>6146</b>	<b>SG-M16x1,5<sup>1)</sup></b>		40	<b>36127</b>	<b>KSZ-M16x1,5</b>

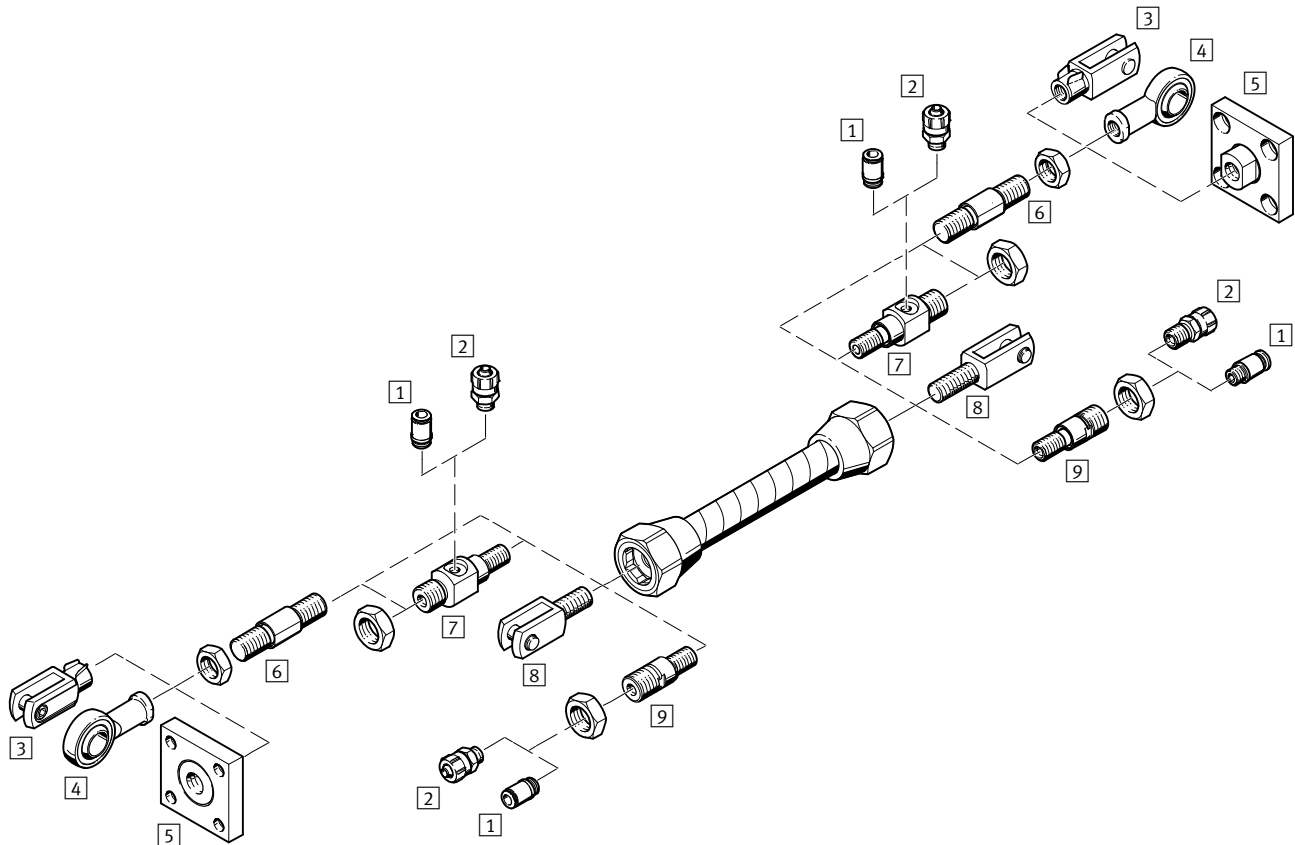
 - Note

- 1) If there is a dynamic load on the DMSP40, the technical data will be subject to restrictions because of the accessories.
- Fundamentals: rated load, friction torque where  $\mu = 0.2$ :
- Endurance limit at 6000 N: 1 million load cycles (higher values on request)
  - Endurance limit at 4000 N: 10 million load cycles

# Fluidic Muscle MAS with screwed connections

Peripherals overview

FESTO



Accessories		
	Description	→ Page/Internet
1	Push-in fittings QS	quick star
2	Quick connectors CK	ck
3	Rod clevis SG	32
4	Rod eye SGS	32
5	Coupling pieces KSG/KSZ	32
6	Threaded rod MXAD-T	32
7	Radial adapter MXAD-R	31
8	Rod clevis SGA	32
9	Axial adapter MXAD-A	31

# Fluidic Muscle MAS with screwed connections

Type codes

MAS - 10 - 500N - AA - MC - K - ER - EG -

**Drive function**

Single-acting, pulling	
MAS	Fluidic Muscle

**I.D. [mm]**

**Nominal length [mm]**

...N	40 ... 9000
------	-------------

**Material**

AA	Standard material (chloroprene, aramid)
----	---

**Connection type**

MC	Open at one end
MO	Open at both ends

**Connector type**

K	With force limiter
O	Without force limiter

**Accessories enclosed separately**

Adapters	
ER	1 adapter for radial air supply, at one end
EA	1 adapter for axial air supply, at one end
BR	2 adapters for radial air supply, at both ends
BA	2 adapters for axial air supply, at both ends
RA	1 adapter for radial and 1 adapter for axial air supply

**Mounting**

EG	1 threaded rod for mounting, at one end
Module	2 threaded rods for mounting, at both ends

**Operating instructions**

-	Standard
DN	Express waiver – no operating instructions to be included (already available)

# Fluidic Muscle MAS with screwed connection

FESTO

Technical data



- Ø - Size  
10 ... 40

- | - Nominal length  
40 ... 9000 mm

- ≡ - Lifting force  
0 ... 6000 N



General technical data				
Size		10	20	40
Pneumatic connection		→ Adapter MXAD... from page 31		
Design		Contracting diaphragm		
Mode of operation		Single-acting, pulling		
I.D.	[mm]	10	20	40
Nominal length	[mm]	40 ... 9000	60 ... 9000	120 ... 9000
Stroke	[mm]	0 ... 2250	0 ... 2250	0 ... 2250
Max. additional load, freely suspended	[kg]	30	80	250
Max. permissible pretensioning <sup>1)</sup>				
Without force limiter		3% of nominal length	4% of nominal length	5% of nominal length
With force limiter		3% of nominal length	3% of nominal length	3% of nominal length
Max. permissible contraction		25% of nominal length		
Max. perm. offset of connections				
		Angle tolerance: ≤ 1.0°		
		Parallelism tolerance: ± 0.5% (up to 400 mm nominal length), ≤ 2 mm (from 400 mm nominal length)		
Type of mounting		Via accessories		
Mounting position		Any (an external guide is required if lateral forces occur)		

- 1) The max. pretensioning is achieved when the max. permissible freely suspended payload is attached.  
2) Measured at room temperature in accordance with ISO 23529

Operating and environmental conditions				
Size		10	20	40
Operating pressure	[bar]	0 ... 8	0 ... 6	
Operating medium		Compressed air according to ISO 8573-1:2010 [7:-:-]		
Note on operating/pilot medium		Lubricated operation possible (in which case lubricated operation will always be required)		
Ambient temperature	[°C]	-5 ... +60		
Corrosion resistance class CRC <sup>3)</sup>		2		

- 3) Corrosion resistance class 2 according to Festo standard 940 070  
Components subject to moderate corrosion stress. Externally visible parts with primarily decorative surface requirements which are in direct contact with a normal industrial environment or media such as coolants or lubricating agents.

Forces [N] at max. permissible operating pressure				
Size		10	20	40
Theoretical force <sup>1)</sup>		630	1500	6000
Force limiter		400	1200	4000

- 1) For minimum nominal length, the force is reduced by approx. 10%.

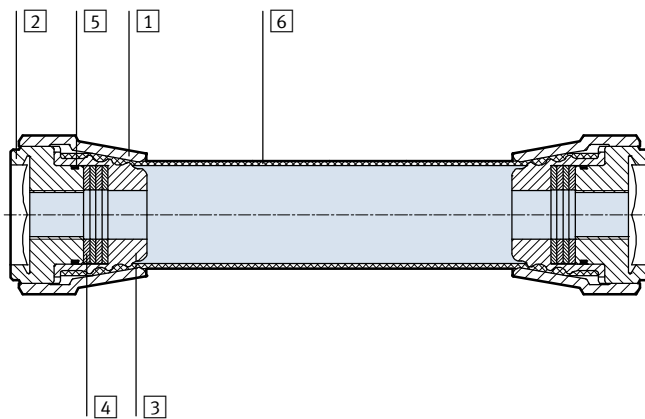
# Fluidic Muscle MAS with screwed connection

Technical data

Weight [g]			
Size	10	20	40
Product weight for 0 m length			
Without force limiter			
MAS-...-MO-O	83	239	687
MAS-...-MC-O	83	249	698
With force limiter			
MAS-...-MO-K	92	277	877
MAS-...-MC-K	92	287	888
Additional weight per 1 m length	94	178	340

## Materials

Sectional view



Fluidic Muscle		
1	Union nut	Clear anodised wrought aluminium alloy
2	Flange	Wrought aluminium alloy, blue anodised
3	Internal cone	Clear anodised wrought aluminium alloy
4	Disc springs	Steel
5	Sealing ring	NBR
6	Diaphragm	AR, CR
-	Adhesive	Loctite 243 (thread locking agent)
-	Lubricant	Klüberplex BE 31-102
Note on materials		Free of copper and PTFE
		Contains paint-wetting impairment substances

# Fluidic Muscle MAS with screwed connection

Technical data

## Permissible force $F$ [N] as a function of the contraction $h$ [%] in the nominal length

Force/displacement diagrams and sizing ranges

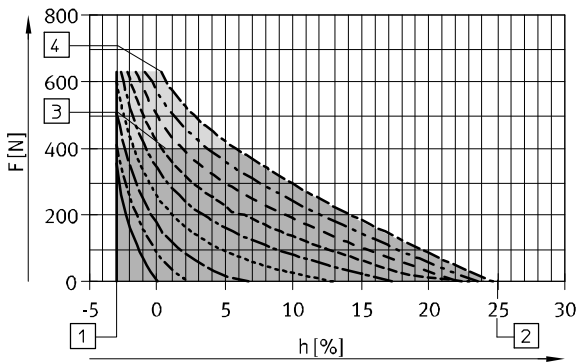
The limits specified in the technical data must be complied with when using the Fluidic Muscle. The graphs below illustrate the operating range of the Fluidic Muscle as a function of the diameter, within the limits shown below.

### Using the graphs

1. The upper limit of the grey area indicates the maximum permissible force.
2. The right limiting curve of the permissible operating ranges indicates the maximum permissible operating pressure.
3. The right vertical limit of the permissible operating ranges indicates the maximum permissible contraction.
4. The left limit of the permissible operating ranges indicates the load limit of the muscle in terms of the maximum permissible pretensioning.

### Operating range MAS-10-100N-...

Sizing examples → 33

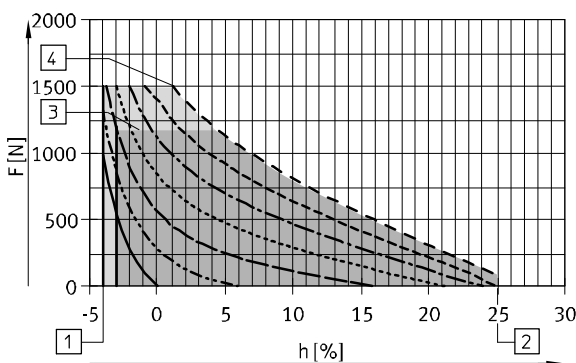


- 0 bar
- - - 1 bar
- - - 2 bar
- - - 3 bar
- - - 4 bar
- - - 5 bar
- - - 6 bar
- - - 7 bar
- - - 8 bar

- 1 Max. permissible pretensioning
- 2 Max. permissible contraction
- 3 With force limiter at 400 N
- 4 Theoretical force (630 N) at max. operating pressure
- Permissible operating range
- Operating range with force limiter

### Operating range MAS-20-200N-...

Sizing examples → 33



- 0 bar
- - - 1 bar
- - - 2 bar
- - - 3 bar
- - - 4 bar
- - - 5 bar
- - - 6 bar

- 1 Max. permissible pretensioning
- 2 Max. permissible contraction
- 3 With force limiter at 1200 N
- 4 Theoretical force (1500 N) at max. operating pressure
- Permissible operating range
- Operating range with force limiter



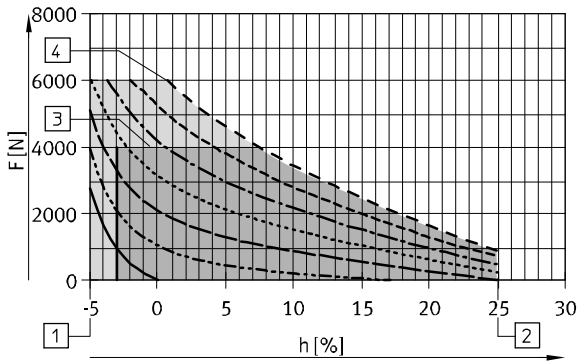
# Fluidic Muscle MAS with screwed connection

Technical data

## Permissible force F [N] as a function of the contraction h [%] in the nominal length

Operating range MAS-40-400N-...

Sizing examples → 33



- 0 bar
- - - 1 bar
- · - · 2 bar
- · · · 3 bar
- · - · 4 bar
- - - 5 bar
- · - · 6 bar

- 1 Max. permissible pretensioning
- 2 Max. permissible contraction
- 3 With force limiter at 4000 N
- 4 Theoretical force (6000 N) at max. operating pressure
- Permissible operating range
- Operating range with force limiter

### Note

The actual value of the force as a factor of the contraction can vary according to the product characteristics and the ambient conditions present. The deviation can be compensated if the pressure is adapted up to the maximum permissible operating pressure.

The simplest and most reliable way to ensure correct sizing is by going through the specialist department “Membrane Technologies” at Festo. We can take all the crucial parameters for your application into consideration.

We will be happy to help!

Membrane Technologies  
 → [membranetechnologie@festo.com](mailto:membranetechnologie@festo.com)

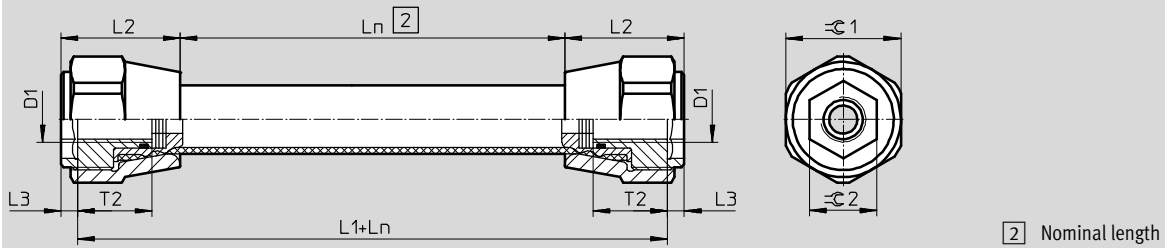
# Fluidic Muscle MAS with screwed connection

Technical data

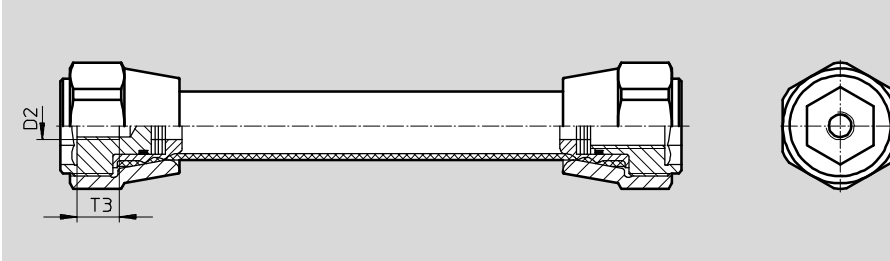
## Dimensions – Without force limiter

Download CAD data → [www.festo.com](http://www.festo.com)

MAS...-MO-0 – open at both ends



MAS...-MC-0 – open at one end



Size	D1	D2	Ln		L1
			min.	max.	
10	M10x1.25	M10x1.25	40	9000 <sup>1)</sup>	60.2
20	M16x1.5	M10x1.25	60		73
40	M20x1.5	M16x1.5	120		95

Size	L2	L3	T2	T3	$\approx C1$	$\approx C2$
10	34.1	4	10	10	27	17
20	42.5	6	26.5	15	41	24
40	55.5	8	21.8	20	60	41

1) Tolerance ≤ 100 mm ±1 mm, 100 ... 400 mm ±1%, > 400 mm ±4 mm.

## Diameter expansion at maximum contraction

Size	10	20	40
[mm]	24	40	80

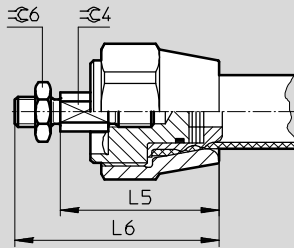
# Fluidic Muscle MAS with screwed connection

Technical data

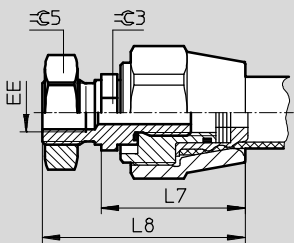
## Dimensions – Without force limiter

Download CAD data → [www.festo.com](http://www.festo.com)

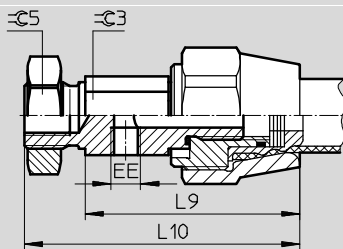
MAS...-EG – open at one end, with threaded rod



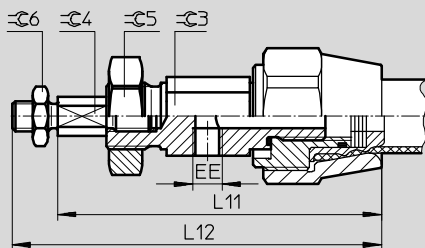
MAS...-EA/BA – pneumatic connection, axial, one end/both ends



MAS...-ER/BR – pneumatic connection, radial, one end/both ends



MAS...-ER/BR-EG/BG – pneumatic connection, radial, with threaded rod, one end/both ends



Size	EE		L5	L6	L7	L8	L9
	Axial	Radial					
10	G $\frac{1}{8}$	M5	46.1	61.1	42.6	60	58.2
20	G $\frac{1}{4}$	G $\frac{1}{8}$	52.5	67.5	49	69	71
40	G $\frac{3}{8}$	G $\frac{1}{4}$	67.5	91.5	63	101	93

Size	L10	L11	L12	$\varnothing 3$	$\varnothing 4$	$\varnothing 5$	$\varnothing 6$
10	75.6	96.6	111.6	17	11	24	17
20	91	107	122	24	11	32	17
40	131	151	175	36	17	46	24

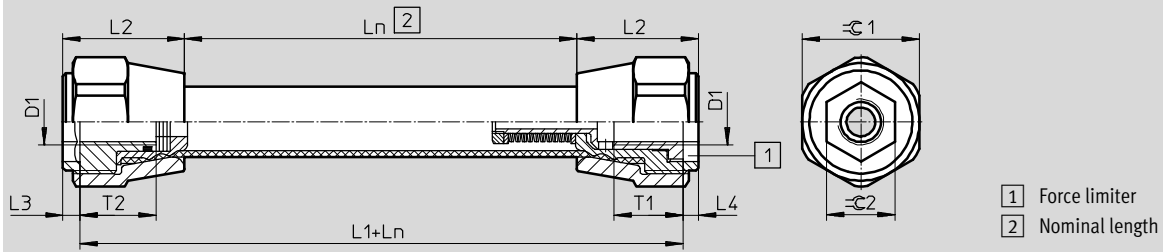
# Fluidic Muscle MAS with screwed connection

Technical data

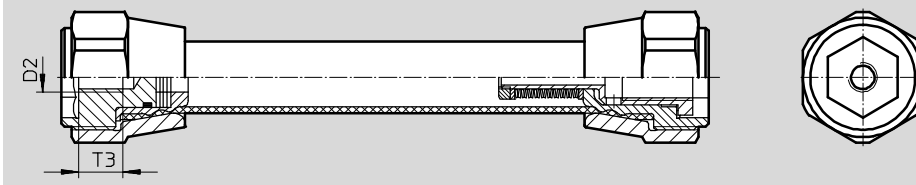
## Dimensions – With force limiter

Download CAD data → [www.festo.com](http://www.festo.com)

MAS...-MO-K – open at both ends



MAS...-MC-K – open at one end



Size	D1	D2	Ln		L1	L2
			min.	max.		
10	M10x1.25	M10x1.25	40	9000 <sup>1)</sup>	61.7	34.1
20	M16x1.5	M10x1.25	60		73.5	42.5
40	M20x1.5	M16x1.5	120		96.5	55.5

Size	L3	L4	T1	T2	T3	$\varnothing 1$	$\varnothing 2$
10	4	2.5	15	10	10	27	17
20	6	5.5	24	26.5	15	41	24
40	8	6.5	30	21.8	20	60	41

1) Tolerance ≤ 100 mm ±1 mm, 100 ... 400 mm ±1%, > 400 mm ±4 mm.

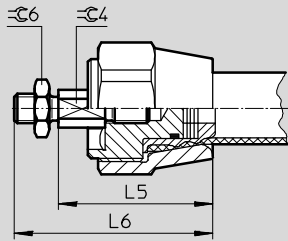
# Fluidic Muscle MAS with screwed connection

Technical data

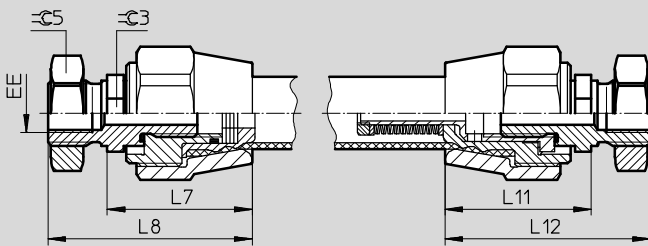
## Dimensions – With force limiter

Download CAD data → [www.festo.com](http://www.festo.com)

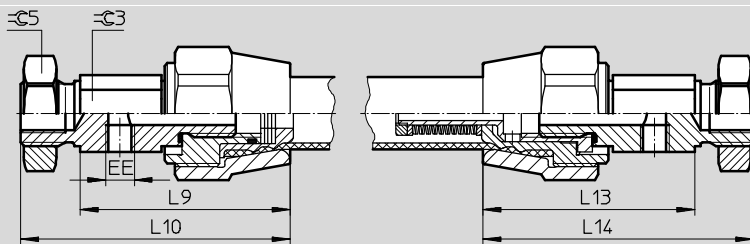
MAS...-EG – open at one end, with threaded rod



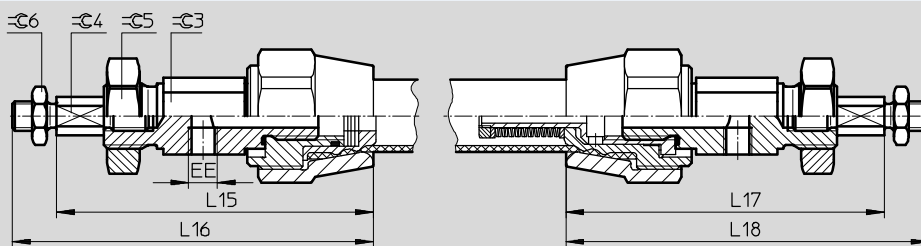
MAS...-EA/BA – pneumatic connection, axial, one end/both ends



MAS...-ER/BR – pneumatic connection, radial, one end/both ends



MAS...-EA/BA-EG/BG – pneumatic connection, radial, with threaded rod, one end/both ends



Size	EE		L5	L6	L7	L8	L9	L10	L11	L12
	Axial	Radial								
10	G $\frac{1}{8}$	M5	46.1	61.1	42.6	60	58.2	75.6	44.1	61.5
20	G $\frac{1}{4}$	G $\frac{1}{8}$	52.5	67.5	49	69	71	91	49.5	69.5
40	G $\frac{3}{8}$	G $\frac{1}{4}$	67.5	91.5	63	101	93	131	64.5	102.5

Size	L13	L14	L15	L16	L17	L18	C3	C4	C5	C6
10	59.7	77.1	96.6	111.6	98.1	113.1	17	11	24	17
20	71.5	91.5	107	122	107.5	122.5	24	11	32	17
40	94.5	132.5	151	175	152.5	176.6	36	17	46	24

# Fluidic Muscle MAS with screwed connection

Ordering data – Modular products

Ordering table						
Size	10	20	40	Condi- tions	Code	Entry code
<b>M</b> Module no.	<b>534201</b>	<b>534202</b>	<b>534203</b>			
Function	Fluidic Muscle with screwed connection				<b>MAS</b>	MAS
I.D. [mm]	10	20	40		-...	
Nominal length [mm]	40 ... 9000	60 ... 9000	120 ... 9000		-...N	
Material	Standard material (chloroprene)				<b>-AA</b>	-AA
Connection type	Fluidic Muscle open at one end				<b>-MC</b>	
	Fluidic Muscle open at both ends				<b>-MO</b>	
Connector type	Threaded connection with force limiter				<b>-K</b>	
	Threaded connection without force limiter				<b>-O</b>	
<b>O</b> Adapters, enclosed separately	1 adapter for radial air supply, at one end			<b>1</b>	<b>-ER</b>	
	1 adapter for axial air supply, at one end			<b>1</b>	<b>-EA</b>	
	2 adapters for radial air supply, at both ends			<b>2</b>	<b>-BR</b>	
	2 adapters for axial air supply, at both ends			<b>2</b>	<b>-BA</b>	
	1 adapter for radial and 1 adapter for axial air supply			<b>2</b>	<b>-RA</b>	
Mountings, enclosed separately	1 threaded rod for mounting, at one end			<b>3</b>	<b>-EG</b>	
	2 threaded rods for mounting, at both ends			<b>4</b>	<b>-BG</b>	
Operating instructions	Standard					
	Express waiver – no operating instructions to be included (already available)				<b>-DN</b>	

**1 ER, EA** Not in combination with connection type MO.

**2 BR, BA, RA** Not in combination with connection type MC.

**3 EG** In combination with connection type MO only permissible in combination with adapter BR, RA.

**4 Module** In combination with connection type MC only permissible in combination with adapter ER.

In combination with connection type MO only permissible in combination with adapter BR.

**M** Mandatory data

**O** Options

Transfer order code

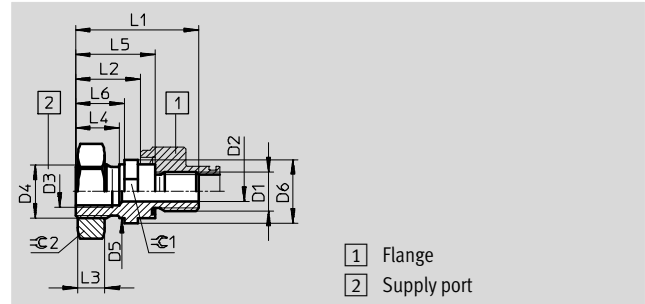
**MAS** -  -  - **AA** -  -  -  -  -

# Fluidic Muscle MAS with screwed connection

Accessories

## Axial adapter MXAD-A (order code EA/BA/RA)

Materials:  
Adapter: Clear anodised wrought aluminium alloy  
Nut: Galvanised steel  
Seal: NBR

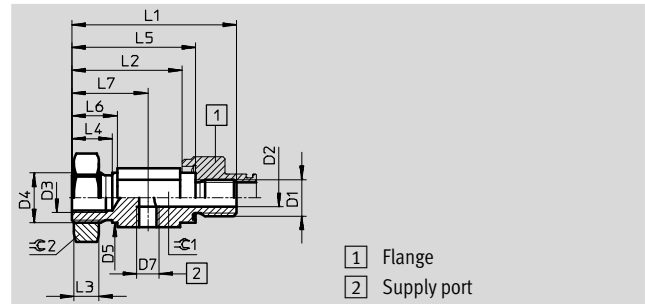


Dimensions and ordering data									
For size	D1	D2 Ø	D3	D4	D5 Ø H11	D6 Ø	L1	L2	L3
10	M10x1.25	5	G $\frac{1}{8}$	M16x1.5	16	20	39.9	25.9	8
20	M16x1.5	8	G $\frac{1}{4}$	M22x1.5	22	26	50.5	26.5	11
40	M20x1.5	10	G $\frac{3}{8}$	M30x1.5	30	40	73.5	45.5	8

For size	L4	L5	L6	≈C1	≈C2	Weight [g]	Part No.	Type
10	15.4	29.9	17.4	17	24	33	534400	MXAD-A10
20	18	32.5	20	24	32	69	534402	MXAD-A16
40	35	53.5	38	36	46	184	534404	MXAD-A20

## Radial adapter MXAD-R (order code ER/BR/RA)

Materials:  
Adapter: Clear anodised wrought aluminium alloy  
Nut: Galvanised steel  
Seal: NBR



Dimensions and ordering data									
For size	D1	D2 Ø	D3	D4	D5 Ø H11	D7	L1	L2	L3
10	M10x1.25	5	M10x1.25	M16x1.5	16	M5	55.5	41.5	8
20	M16x1.5	8	M10x1.25	M22x1.5	22	G $\frac{1}{8}$	72.5	48.5	11
40	M20x1.5	10	M16x1.5	M30x1.5	30	G $\frac{1}{4}$	103.5	75.5	8

For size	L4	L5	L6	L7	≈C1	≈C2	Weight [g]	Part No.	Type
10	15.4	45.5	17.4	26.7	17	24	44	534401	MXAD-R10
20	18	54.5	20	33.5	24	32	109	534403	MXAD-R16
40	35	83.5	38	56	36	46	263	534405	MXAD-R20

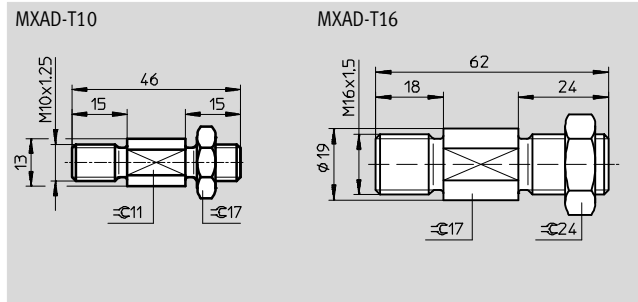
# Fluidic Muscle MAS with screwed connection

Accessories



**Threaded rod MXAD-T**  
(order code EG/BG)

Materials:  
Galvanised steel



Dimensions and ordering data			
For size	Suitable for threaded connection	Weight [g]	Part No. Type
10/20	M10x1.25	40	<b>187597</b> MXAD-T10
40	M16x1.5	140	<b>187609</b> MXAD-T16

Ordering data				Technical data → Internet: piston-rod attachment			
Description	For size	Part No.	Type	Description	For size	Part No.	Type
<b>Rod eye SGS<sup>1)</sup></b>				<b>Coupling piece KSG<sup>1)</sup></b>			
	10	<b>9261</b>	<b>SGS-M10x1,25</b>		10	<b>32963</b>	<b>KSG-M10x1,25</b>
	20	<b>9261</b>	<b>SGS-M10x1,25</b>		20	<b>32963</b>	<b>KSG-M10x1,25</b>
	40	<b>9263</b>	<b>SGS-M16x1,5</b>		40	<b>32965</b>	<b>KSG-M16x1,5</b>
<b>Rod clevis SGA</b>				<b>Coupling piece KSZ<sup>1)</sup></b>			
	10	<b>32954</b>	<b>SGA-M10x1,25</b>		10	<b>36125</b>	<b>KSZ-M10x1,25</b>
	20	<b>32954</b>	<b>SGA-M10x1,25</b>		20	<b>36125</b>	<b>KSZ-M10x1,25</b>
	40	<b>10768</b>	<b>SGA-M16x1,5</b>		40	<b>36127</b>	<b>KSZ-M16x1,5</b>
<b>Rod clevis SG<sup>1)</sup></b>							
	10	<b>6144</b>	<b>SG-M10x1,25</b>				
	20	<b>6144</b>	<b>SG-M10x1,25</b>				
	40	<b>6146</b>	<b>SG-M16x1,5</b>				

1) Threaded rod MXAD-T... is required.



# Fluidic Muscle DMSP/MAS

Sizing

## Example 1

### Lifting a constant load

The muscle is to be used to lift a constant load of 60 kg, free of forces, from a supporting surface, and raise it a distance of 10 mm. The compressed air supply provides a maximum of 6 bar.

The size (diameter and nominal length) of the Fluidic Muscle needs to be determined.



Note

The simplest and most reliable way to ensure correct sizing is by going through the specialist department “Membrane Technologies” at Festo.

We can take all the crucial parameters for your application into consideration.

We will be happy to help!

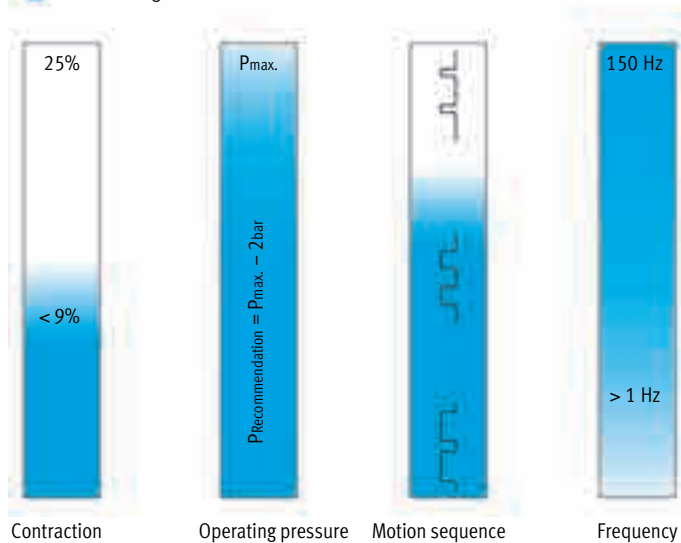
Membrane Technologies

→ [membranetechnologie@festo.com](mailto:membranetechnologie@festo.com)

General conditions		Values
Required force at rest	[N]	0
Required stroke	[mm]	10
Required force in contracted state	[N]	Approx. 600
Max. possible operating pressure	[bar]	6

### Choice of parameters

Efficient range



Solution Steps	Selection	Input parameters	Result
<b>Step 1:</b>			
Calculation of nominal length (stroke 10 mm/contraction 5%)	200 mm		
Choice of operating pressure (P <sub>max</sub> - 2 bar)	4 bar		
<b>Step 2:</b>			
Input of values into engineering tool	Nominal length: Stroke: Operating pressure:	200 mm 10 mm 4 bar	
Intermediate result for force	Size:	20 mm	674 N
<b>Step 3:</b>			
Adjustment of input values	Operating pressure:	3.7 bar	
Result:			609 N

# Fluidic Muscle DMSP/MAS

Sizing

## Example 1

Use as a tension spring

In this example, the muscle is to be used as a tension spring.

The size (diameter and nominal length) of the Fluidic Muscle needs to be determined.



Note

The simplest and most reliable way to ensure correct sizing is by going through the specialist department “Membrane Technologies” at Festo.

We can take all the crucial parameters for your application into consideration. We will be happy to help!

Membrane Technologies

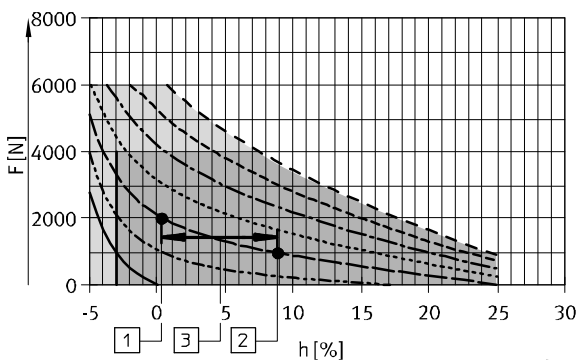
→ membranetechnologie@de.festo.com

If you are determining the size yourself, you must follow this recommendation: contraction < 9%, operating pressure  $p_{\text{Recommendation}} = p_{\text{max.}} - 2 \text{ bar}$ , see choice of parameters

General conditions		Values
Required force in extended state	[N]	2000
Required force in contracted state	[N]	1000
Required stroke (spring length)	[mm]	50
Operating pressure	[bar]	2

## Solution

<b>Step 1</b> Determine the required muscle size	Determine the most suitable muscle diameter on the basis of the required force.	The required force is 2000 N, therefore a DMSP-40-... is selected.
<b>Step 2</b> Enter load point 1	Load point 1 is entered into the force/displacement diagram for the DMSP-40-....	Force $F = 2000 \text{ N}$ Pressure $p = 2 \text{ bar}$
<b>Step 3</b> Enter load point 2	Load point 2 is entered into the force/displacement diagram.	Force $F = 1000 \text{ N}$ Pressure $p = 2 \text{ bar}$
<b>Step 4</b> Read the length change	The change in the length of the muscle is read off between the load points on the X-axis (contraction in %).	Result: 8.7% contraction.
<b>Step 5</b> Calculate the nominal length	The required nominal muscle length for a stroke of 50 mm is obtained by dividing by the contraction in %.	Result: $50 \text{ mm} / 8.7\% \sim 575 \text{ mm}$ .
<b>Step 6</b> Result	The nominal length of the muscle to be ordered is 575 mm.	For use as a tension spring with a force of 2000 N and a spring travel of 50 mm, a DMSP-40-575N-... is required.



0 bar	—————
1 bar	- - - - -
2 bar	—————
3 bar	- . . . .
4 bar	—————
5 bar	- - - - -
6 bar	- - - - -

- 1 Load point 1
- 2 Load point 2
- 3 Change in length = 8.7%

## Product Range and Company Overview

### A Complete Suite and Company Overview

Our experienced engineers provide complete support at every stage of your development process, including: conceptualization, analysis, engineering, design, assembly, documentation, validation, and production.



**Custom Automation Components**  
Complete custom engineered solutions



**Custom Control Cabinets**  
Comprehensive engineering support and on-site services



**Complete Systems**  
Shipment, stocking and storage services

### The Broadest Range of Automation Components

With a comprehensive line of more than 30,000 automation components, Festo is capable of solving the most complex automation requirements.



**Electromechanical**  
Electromechanical actuators, motors, controllers & drivers



**Pneumatics**  
Pneumatic linear and rotary actuators, valves, and air supply



**PLCs and I/O Devices**  
PLC's, operator interfaces, sensors and I/O devices

### Supporting Advanced Automation... As No One Else Can!

Festo is a leading global manufacturer of pneumatic and electromechanical systems, components and controls for industrial automation, with more than 16,000 employees in 60 national headquarters serving more than 180 countries. For more than 80 years, Festo has continuously elevated the state of manufacturing with innovations and optimized motion control solutions that deliver higher performing, more profitable automated manufacturing and processing equipment. Our dedication to the advancement of automation extends beyond technology to the education and development of current and future automation and robotics designers with simulation tools, teaching programs, and on-site services.

### Quality Assurance, ISO 9001 and ISO 14001 Certifications

Festo Corporation is committed to supply all Festo products and services that will meet or exceed our customers' requirements in product quality, delivery, customer service and satisfaction.

To meet this commitment, we strive to ensure a consistent, integrated, and systematic approach to management that will meet or exceed the requirements of the ISO 9001 standard for Quality Management and the ISO 14001 standard for Environmental Management.



© Copyright 2013, Festo Corporation. While every effort is made to ensure that all dimensions and specifications are correct, Festo cannot guarantee that publications are completely free of any error, in particular typing or printing errors. Accordingly, Festo cannot be held responsible for the same. For Liability and Warranty conditions, refer to our "Terms and Conditions of Sale", available from your local Festo office. All rights reserved. No part of this publication may be reproduced, distributed, or transmitted in any form or by any means, electronic, mechanical, photocopying or otherwise, without the prior written permission of Festo. All technical data subject to change according to technical update.



Printed on recycled paper at New Horizon Graphic, Inc., FSC certified as an environmental friendly printing plant.

# Festo North America



**1 Festo Canada  
Headquarters  
Festo Inc.**  
5300 Explorer Drive  
Mississauga, ON  
L4W 5G4

**2 Montréal**  
5600, Trans-Canada  
Pointe-Claire, QC  
H9R 1B6

**3 Québec City**  
2930, rue Watt#117  
Québec, QC  
G1X 4G3



**4 Festo United States  
Headquarters  
Festo Corporation**  
395 Moreland Road  
Hauppauge, NY  
11788

**5 Appleton**  
North 922 Tower View Drive, Suite N  
Greenville, WI  
54942

**7 Detroit**  
1441 West Long Lake Road  
Troy, MI  
48098

**6 Chicago**  
85 W Algonquin - Suite 340  
Arlington Heights, IL  
60005

**8 Silicon Valley**  
4935 Southfront Road, Suite F  
Livermore, CA  
94550

## Festo Regional Contact Center

### Canadian Customers

Commercial Support:  
Tel: 1 877 GO FESTO (1 877 463 3786)  
Fax: 1 877 FX FESTO (1 877 393 3786)  
Email: festo.canada@ca.festo.com

Technical Support:  
Tel: 1 866 GO FESTO (1 866 463 3786)  
Fax: 1 877 FX FESTO (1 877 393 3786)  
Email: technical.support@ca.festo.com

### USA Customers

Commercial Support:  
Tel: 1 800 99 FESTO (1 800 993 3786)  
Fax: 1 800 96 FESTO (1 800 963 3786)  
Email: customer.service@us.festo.com

Technical Support:  
Tel: 1 866 GO FESTO (1 866 463 3786)  
Fax: 1 800 96 FESTO (1 800 963 3786)  
Email: product.support@us.festo.com