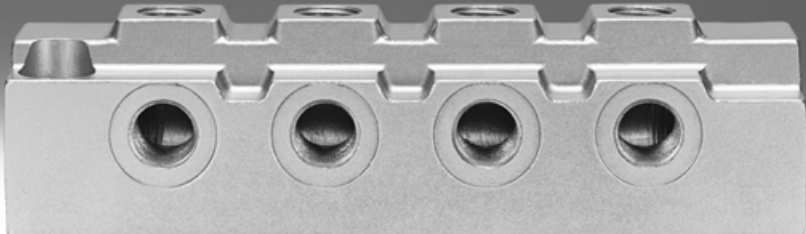


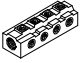




Distribution manifolds FR



Distribution manifolds FR

Product range overview

Series	Design	Type	Pneumatic connection		Number of		→ Page/ Internet
			Supply line	Outlet	Supply lines	Outlets	
Distribution manifold	With 4 connections						
		FR-4	G1/8	G1/8	1	3	3
			G1/4	G1/4			
			G3/8	G3/8			
			G1/2	G1/2			
		FR-4-1/4	G1/4	G1/4	1	3	3
	With 8 connections						
		FR-8	G3/8	G1/8	2	8	4
			G1/2	G1/4			
			G3/4	G1/2			
	With 9 connections						
		FR-9	G1/8	M3	1	9	5
With 12 connections							
	FR-12	G1/8	M5	2	12	5	

Operating and environmental conditions						
Type	FR-4	FR-4-1/4	FR-8	FR-9	FR-12	
Operating pressure [bar]	0 ... 16					
Operating medium	Compressed air according to ISO 8573-1:2010 [7:-:-]					
Note on operating/pilot medium	Lubricated operation possible (in which case lubricated operation will always be required)					
Ambient temperature [°C]	-10 ... +80		-10 ... +60		-10 ... +60	
Corrosion resistance class CRC ¹⁾	-	2	-	2	2	

1) Corrosion resistance class CRC 2 to Festo standard FN 940070

Moderate corrosion stress. Indoor applications in which condensation may occur. External visible parts with primarily decorative requirements for the surface and which are in direct contact with the ambient atmosphere typical for industrial applications.

Distribution manifolds FR

Technical data

Distribution manifold FR-4

No. of supply lines: 1

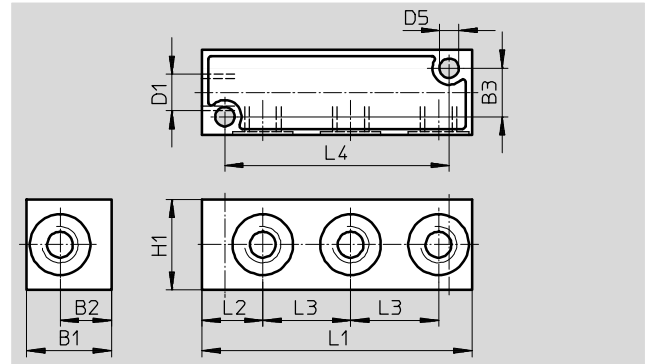
No. of outlets: 3

Material:

Die-cast aluminium

Note on materials:

RoHS-compliant



Dimensions and ordering data															
Connection supply line	Nominal size	Connection outlet	B1	B2	B3	D5	H1	L1	L2	L3	L4	Weight	Part No.	Type	PU*
D1	[mm]	D1										[g]			
G1/8	8.6	G1/8	20	11.6	13	4.4	17	56	13.5	17	46	25	6701	FR-4-1/8-B	1
G1/4	11.5	G1/4	28	17	16	6.4	30	89	20	29	74	60	7849	FR-4-1/4-C	1
G3/8	15	G3/8	32	19	20	6.4	26	85	20	26	72	75	6703	FR-4-3/8-B	1
G1/2	18.6	G1/2	38	22	25	6.4	32	105	25	32	90	120	6704	FR-4-1/2-B	1

* Packaging unit quantity

Distribution manifold FR-4-1/4

No. of supply lines: 1

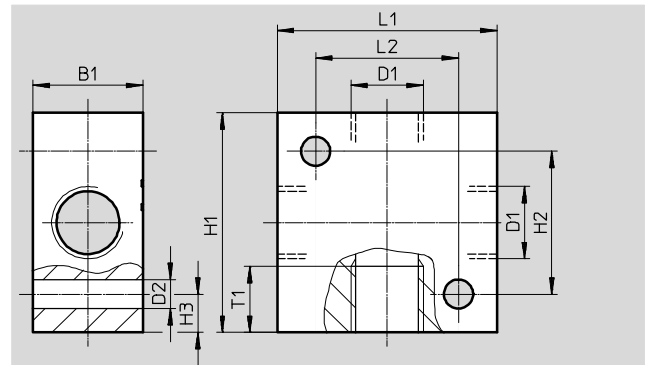
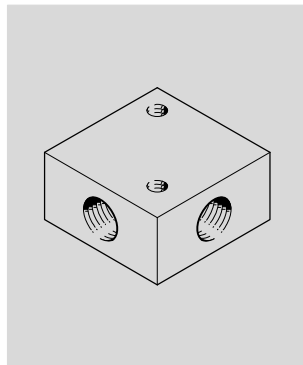
No. of outlets: 3

Material:

Anodised aluminium

Note on materials:

RoHS-compliant



Dimensions and ordering data														
Connection supply line	Nominal size	Connection outlet	B1	D2	H1	H2	H3	L1	L2	T1	Weight	Part No.	Type	PU*
D1	[mm]	D1		∅							[g]			
G1/4	11.5	G1/4	20	5.3	40	26	7	40	26	12	68	2960	FR-4-1/4	1

* Packaging unit quantity

Distribution manifolds FR

Technical data



Distribution manifold FR-8

No. of supply lines: 2, including one sealed with a blanking plug

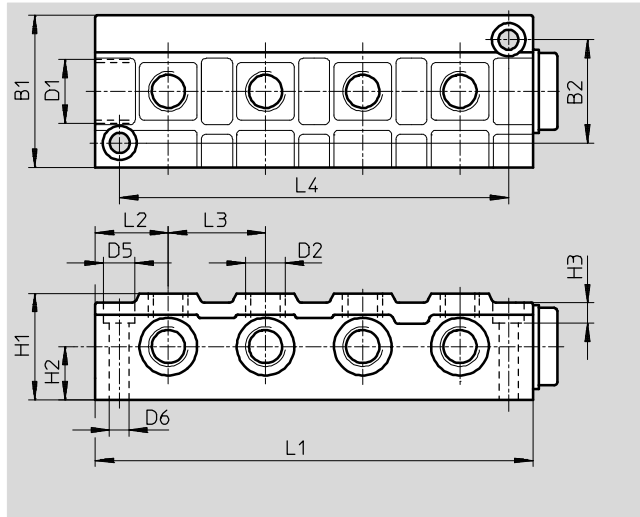
No. of outlets: 8

Material:

Die-cast aluminium

Note on materials:

RoHS-compliant



Dimensions and ordering data																	
Connection supply line D1	Nominal size [mm]	Connection outlet D2	B1	B2	D5	D6	H1	H2	H3	L1	L2	L3	L4	Weight [g]	Part No.	Type	PU*
G $\frac{3}{8}$	8.6	G $\frac{1}{8}$	40	26	11	6.6	30	15	6.8	114	22.5	23	100	135	2077	FR-8- $\frac{1}{8}$	1
G $\frac{1}{2}$	11.5	G $\frac{1}{4}$	50	34	11	6.6	35	17.5	6.8	144	24	32	128	230	2078	FR-8- $\frac{1}{4}$	1
G $\frac{3}{4}$	18.6	G $\frac{1}{2}$	60	40	15	9	45	22.5	9	170	31	36	150	1000	6411	FR-8- $\frac{1}{2}$	1

* Packaging unit quantity

Distribution manifolds FR

Technical data

Distribution manifold FR-9

No. of supply lines: 1

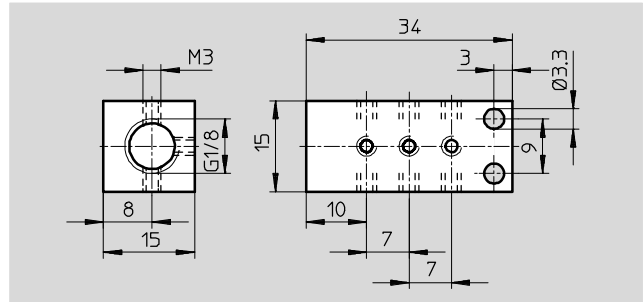
No. of outlets: 9

Material:

Anodised aluminium

Note on materials:

RoHS-compliant



Dimensions and ordering data						
Connection supply line	Nominal size [mm]	Connection outlet	Weight [g]	Part No.	Type	PU*
G1/8	2.5	M3	15	30981	FR-9-M3-B	1

* Packaging unit quantity

Distribution manifold FR-12

No. of supply lines: 2, including one sealed with a blanking plug

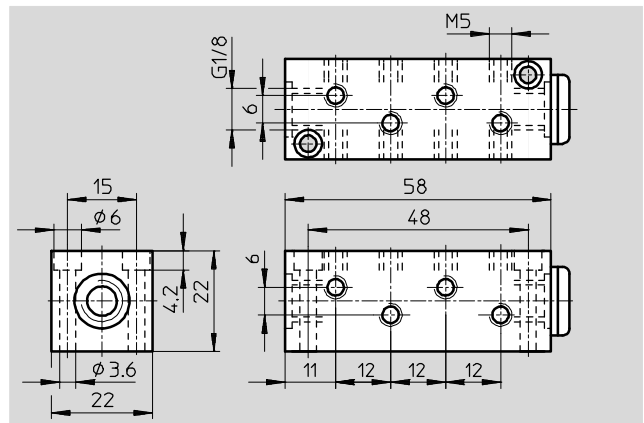
No. of outlets: 12

Material:

Anodised aluminium

Note on materials:

RoHS-compliant



Dimensions and ordering data						
Connection supply line	Nominal size [mm]	Connection outlet	Weight [g]	Part No.	Type	PU*
G1/8	4.1	M5	40	4525	FR-12-M5	1

* Packaging unit quantity

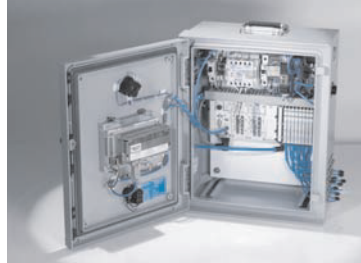
Product Range and Company Overview

A Complete Suite and Company Overview

Our experienced engineers provide complete support at every stage of your development process, including: conceptualization, analysis, engineering, design, assembly, documentation, validation, and production.



Custom Automation Components
Complete custom engineered solutions



Custom Control Cabinets
Comprehensive engineering support and on-site services



Complete Systems
Shipment, stocking and storage services

The Broadest Range of Automation Components

With a comprehensive line of more than 30,000 automation components, Festo is capable of solving the most complex automation requirements.



Electromechanical
Electromechanical actuators, motors, controllers & drivers



Pneumatics
Pneumatic linear and rotary actuators, valves, and air supply



PLCs and I/O Devices
PLC's, operator interfaces, sensors and I/O devices

Supporting Advanced Automation... As No One Else Can!

Festo is a leading global manufacturer of pneumatic and electromechanical systems, components and controls for industrial automation, with more than 16,000 employees in 60 national headquarters serving more than 180 countries. For more than 80 years, Festo has continuously elevated the state of manufacturing with innovations and optimized motion control solutions that deliver higher performing, more profitable automated manufacturing and processing equipment. Our dedication to the advancement of automation extends beyond technology to the education and development of current and future automation and robotics designers with simulation tools, teaching programs, and on-site services.

Quality Assurance, ISO 9001 and ISO 14001 Certifications

Festo Corporation is committed to supply all Festo products and services that will meet or exceed our customers' requirements in product quality, delivery, customer service and satisfaction.

To meet this commitment, we strive to ensure a consistent, integrated, and systematic approach to management that will meet or exceed the requirements of the ISO 9001 standard for Quality Management and the ISO 14001 standard for Environmental Management.



© Copyright 2013, Festo Corporation. While every effort is made to ensure that all dimensions and specifications are correct, Festo cannot guarantee that publications are completely free of any error, in particular typing or printing errors. Accordingly, Festo cannot be held responsible for the same. For Liability and Warranty conditions, refer to our "Terms and Conditions of Sale", available from your local Festo office. All rights reserved. No part of this publication may be reproduced, distributed, or transmitted in any form or by any means, electronic, mechanical, photocopying or otherwise, without the prior written permission of Festo. All technical data subject to change according to technical update.



Printed on recycled paper at New Horizon Graphic, Inc., FSC certified as an environmental friendly printing plant.

Festo North America



**1 Festo Canada
Headquarters
Festo Inc.**
5300 Explorer Drive
Mississauga, ON
L4W 5G4

2 Montréal
5600, Trans-Canada
Pointe-Claire, QC
H9R 1B6

3 Québec City
2930, rue Watt#117
Québec, QC
G1X 4G3



**4 Festo United States
Headquarters
Festo Corporation**
395 Moreland Road
Hauppauge, NY
11788

5 Appleton
North 922 Tower View Drive, Suite N
Greenville, WI
54942

7 Detroit
1441 West Long Lake Road
Troy, MI
48098

6 Chicago
85 W Algonquin - Suite 340
Arlington Heights, IL
60005

8 Silicon Valley
4935 Southfront Road, Suite F
Livermore, CA
94550

Festo Regional Contact Center

Canadian Customers

Commercial Support:
Tel: 1 877 GO FESTO (1 877 463 3786)
Fax: 1 877 FX FESTO (1 877 393 3786)
Email: festo.canada@ca.festo.com

Technical Support:
Tel: 1 866 GO FESTO (1 866 463 3786)
Fax: 1 877 FX FESTO (1 877 393 3786)
Email: technical.support@ca.festo.com

USA Customers

Commercial Support:
Tel: 1 800 99 FESTO (1 800 993 3786)
Fax: 1 800 96 FESTO (1 800 963 3786)
Email: customer.service@us.festo.com

Technical Support:
Tel: 1 866 GO FESTO (1 866 463 3786)
Fax: 1 800 96 FESTO (1 800 963 3786)
Email: product.support@us.festo.com