

**Bellows grippers DHEB**



# Bellows grippers DHEB

Key features

FESTO

## At a glance

When the supply port is pressurised, an internal piston is moved. The mechanism transfers the movement of the piston to the bellows, causing them to deform outwards.

The increase in the bellows diameter enables the bellows to grasp loads using their inner contour. When the gripper is exhausted, the resetting force of the bellows pushes the piston back into its initial position.

- Single-acting internal gripper
- Optionally with internal through-hole
- Max. effective load: 5.1 kg
- Working range:  $\varnothing$  8 ... 85 mm
- Choice of two directions of bellows movement:
  - Upwards
  - Downwards

- Choice of two bellows materials:
  - Ethylene propylene rubber (EPDM)
  - Silicone
- Choice of two supply port variants:
  - At the side
  - At the rear

## The technology in detail

Direction of movement: Upwards

Bellows exhausted



Bellows pressurised



Direction of movement: Downwards

Bellows exhausted



Bellows pressurised



## Bellows material

Silicone

- Very good temperature resistance (wide range)
- Suitability for use in the food industry
- Longer service life than EPDM
- Contains PWIS (paint wetting impairment substances)

EPDM

- Higher friction coefficient than silicone
- Minimal marking of shiny surfaces

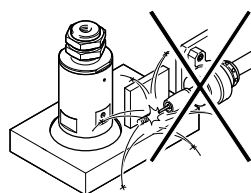
## Application examples

- Gentle internal gripping of delicate workpieces (e.g. glass or ceramics)
- Transporting and packaging glasses, cups and bottles, for example
- The internal through-hole 1 (optional) enables the workpiece to be cooled, cleaned, checked for leaks or disinfected during the handling process

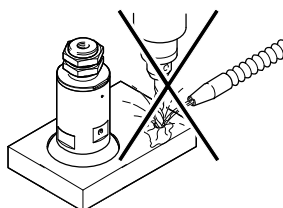


 Note

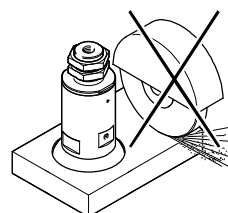
These grippers are not designed for the following sample applications:



- Welding spatter



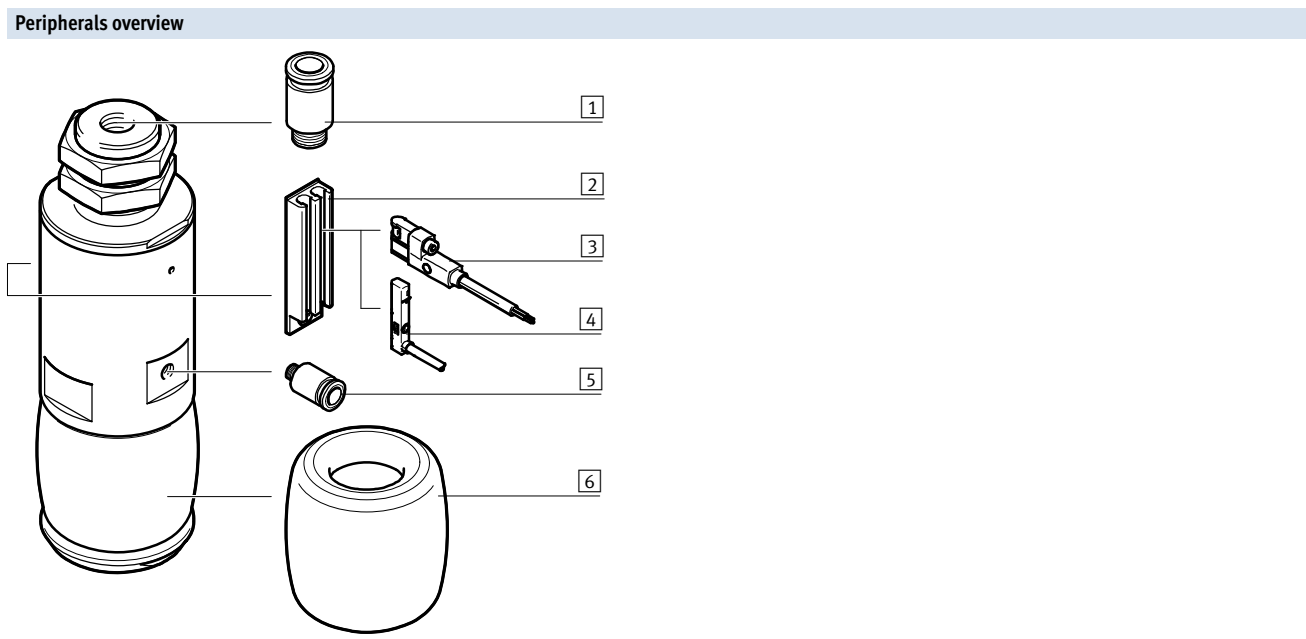
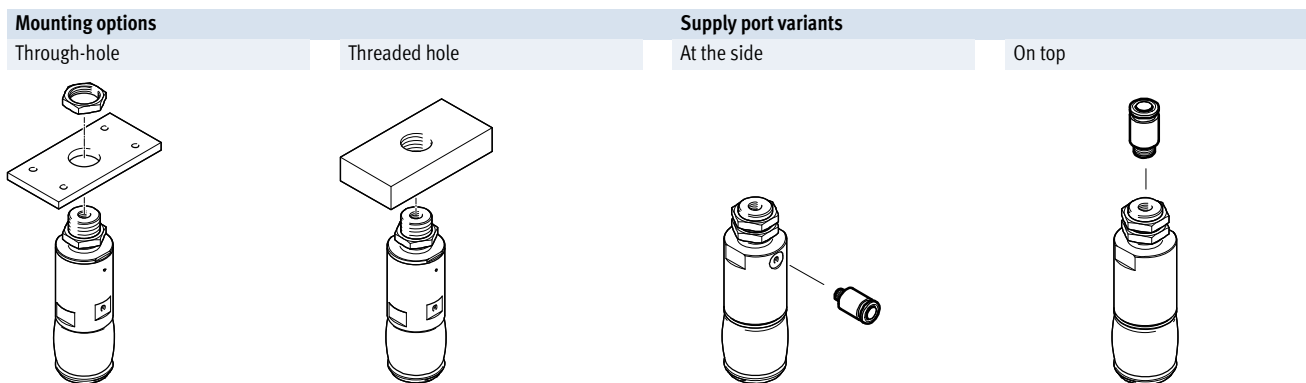
- Machining
- Aggressive media



- Grinding dust

# Bellows grippers DHEB

Peripherals overview



Accessories		
Type	Brief description	→ Page/Internet
1 Push-in fitting QS	<ul style="list-style-type: none"> <li>For connecting compressed air tubing with standard O.D.</li> <li>In the variant with supply port at the side DHEB-...-P, this port (with internal through-hole) can be used for example to cool, clean or check the workpiece for leaks</li> <li>In the variant DHEB-...-L, this port is used to supply the gripper with compressed air</li> </ul>	quick star
2 Sensor rail DASP	<ul style="list-style-type: none"> <li>For mounting the proximity sensors</li> <li>For size 27 ... 63</li> </ul>	11
3 Proximity sensor SMT-10G	<ul style="list-style-type: none"> <li>For sensing the piston position</li> <li>For size 27 ... 63</li> </ul>	12
4 Proximity sensor SME-/SMT-10	<ul style="list-style-type: none"> <li>For sensing the piston position</li> <li>For size 27 ... 63</li> </ul>	12
5 Push-in fitting QS	<ul style="list-style-type: none"> <li>For connecting compressed air tubing with standard O.D.</li> <li>In the variant with supply port at the side DHEB-...-P, this port is used to supply the gripper with compressed air</li> </ul>	quick star
6 Bellows DHAS	Can be replaced in the event of wear	-

# Bellows grippers DHEB

Type codes

DHEB - 14 - E - U - S - L

**Type**

DHEB	Bellows gripper
------	-----------------

**Size**

**Gripper function**

E	Single-acting
---	---------------

**Actuation direction**

D	Downwards
U	Upwards

**Bellows material**

S	Silicone
E	EPDM

**Supply port**



P	At the side
L	On top

# Bellows grippers DHEB

Technical data

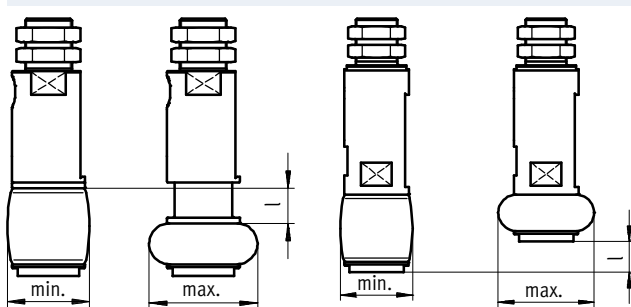
Function  
Single-acting



-  Size  
8 ... 63 mm
-  Diameter  
Ø 11 ... 85 mm

General technical data												
Size	8	10	12	14	18	22	27	33	41	51	63	
Design	Contracting diaphragm with forced motion sequence											
Mode of operation	Single-acting, closed											
Pneumatic connection												
DHEB-...-P	M3	M3	M3	M3	M5	M5	M5	M5	M5	G1/8	G1/8	
DHEB-...-L	M5	M5	M5	M5	M5	M5	M5	G1/8	G1/8	G1/8	G1/8	
Guide value for effective load [kg]	0.08	0.1	0.12	0.15	0.21	0.32	0.45	0.7	1.2	2.5	5.1	
Max. operating frequency [Hz]	≤ 4											
Average replacement interval for the bellows												
DHEB-...-S	1 million switching cycles											
DHEB-...-E	0.5 million switching cycles											
Position sensing	None							Via proximity sensor, with sensor rail DASP				
Type of mounting	Via lock nut Via male thread											
Mounting position	Any											

## Diameter to be gripped, bellows stroke l



Size	8	10	12	14	18	22	27	33	41	51	63
Min. (±1 mm) [mm]	8	10.5	13	15	19.5	24	28	34	42	54	66
Max. (±1 mm) [mm]	11	14	17	19.5	25	31.5	37	45	54	68	85
Bellows stroke (±0.5 mm) [mm]	3.5	4	5.5	7	7.5	12	12	14.5	15.5	18	25

Weight [g]												
Size	8	10	12	14	18	22	27	33	41	51	63	
DHEB-...-D	15	16	17	17	28	43	79	118	280	490	800	
DHEB-...-U	16	17	18	20	35	50	100	130	300	500	785	

# Bellows grippers DHEB

Technical data

Operating and environmental conditions												
Size		8	10	12	14	18	22	27	33	41	51	63
Min. operating pressure	[bar]	5						4				
Max. operating pressure	[bar]	8										
Resetting pressure	[bar]	≤1										
Operating medium		Compressed air in accordance with ISO 8573-1:2010 [7:4:4]										
Note on operating/pilot medium		Operation with lubricated medium possible (in which case lubricated operation will always be required)										
Ambient temperature <sup>1)</sup>												
Gripper	[°C]	+5 ... +60										
EPDM bellows	[°C]	-30 ... +120										
Silicone bellows	[°C]	-40 ... +150										
Suitability for use in the food industry <sup>2)</sup>												
DHEB-...-S		As per manufacturer's declaration										
Corrosion resistance class CRC <sup>3)</sup>		2										

1) Note operating range of proximity sensors

2) Additional information [www.festo.com/sp](http://www.festo.com/sp) → User documentation.

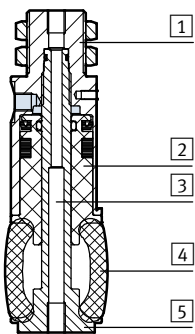
3) Corrosion resistance class CRC 2 to Festo standard FN 940070

Moderate corrosion stress. Indoor applications in which condensation may occur. External visible parts with primarily decorative requirements for the surface and which are in direct contact with the ambient atmosphere typical for industrial applications.

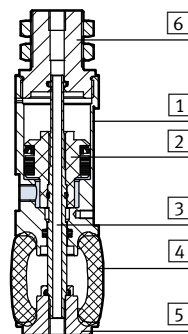
## Materials

Sectional view

DHEB-...-D



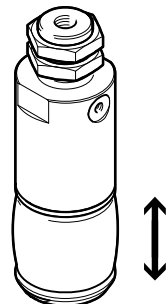
DHEB-...-U



Bellows gripper

1	Housing	Hard anodised aluminium
2	Piston	
	DHEB-...-D	Polyacetal
	DHEB-...-U	Hard anodised aluminium
3	Piston rod	Hard anodised aluminium
4	Bellows	
	DHEB-...-S	Silicone (milky, transparent, natural)
	DHEB-...-E	EPDM (ethylene propylene rubber, black)
5	Cap	Hard anodised aluminium
6	Cap	Hard anodised aluminium
-	Note on materials	Contains PWIS (paint wetting impairment substances)
		RoHS-compliant

## Opening and closing times [ms] at 6 bar



The indicated opening and closing times [ms] were measured at room temperature and 6 bar operating pressure with a vertically mounted gripper. The times refer to the gripper without load.

Depending on the design variant, the deformation of the bellows is defined as the opening time and the reset as the closing time.

Size	8	10	12	14	18	22	27	33	41	51	63
Opening	10	20	20	20	20	30	30	30	30	30	40
Closing	30	40	40	40	50	60	60	60	70	70	100

# Bellows grippers DHEB

Technical data

## Holding force/slip force F at 6 bar as a function of diameter d and actuation direction of the gripper

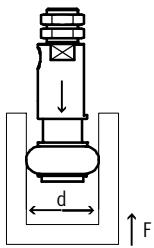
The forces depend on the following factors:

- Diameter of the workpiece to be held
- Surface texture
- Coefficients of friction
- Actuation direction of the gripper
- Operating pressure

### Application 1

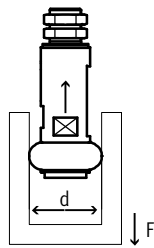
DHEB-...-D

- Actuation direction downwards
- Workpiece pushing



DHEB-...-U

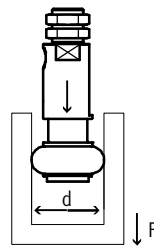
- Actuation direction upwards
- Workpiece pulling



### Application 2

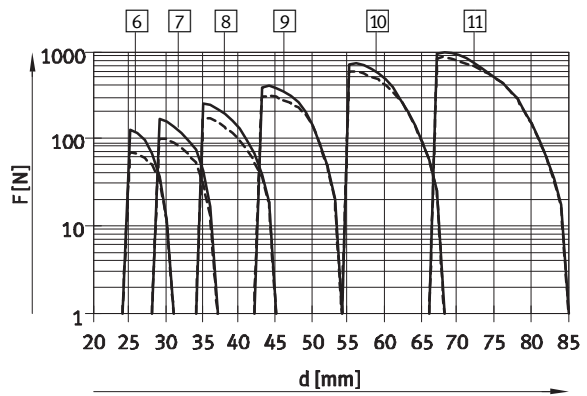
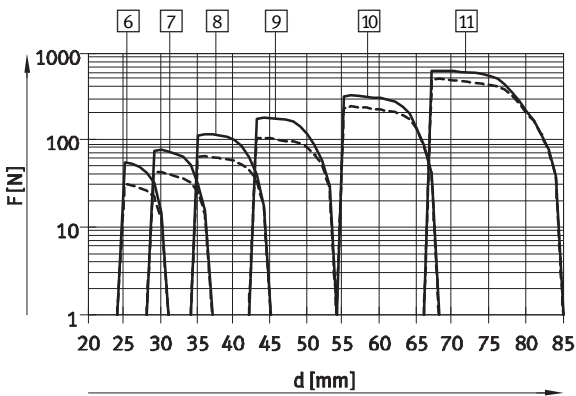
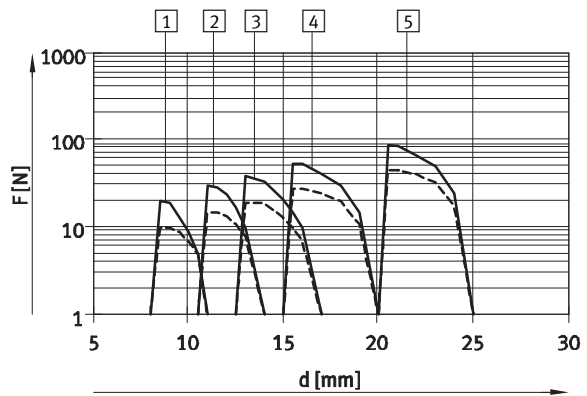
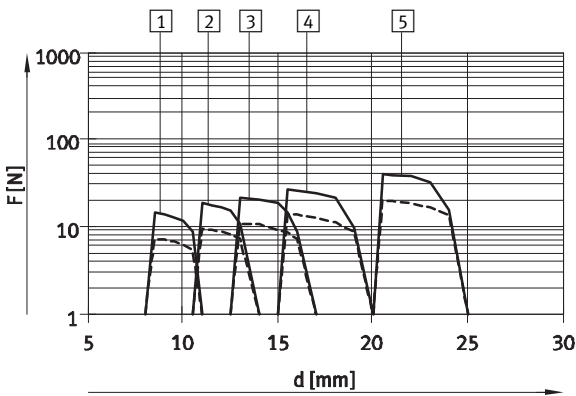
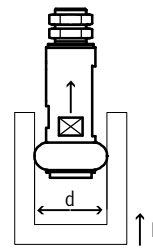
DHEB-...-D

- Actuation direction downwards
- Workpiece pulling



DHEB-...-U

- Actuation direction upwards
- Workpiece pushing



- |           |            |
|-----------|------------|
| 1 Size 8  | 7 Size 27  |
| 2 Size 10 | 8 Size 33  |
| 3 Size 12 | 9 Size 41  |
| 4 Size 14 | 10 Size 51 |
| 5 Size 18 | 11 Size 63 |
| 6 Size 22 |            |

- Material: EPDM
- - - Material: Silicone

Note  
The tolerance of  $\pm 1$  mm must be noted with the diameter d.

# Bellows grippers DHEB

Technical data

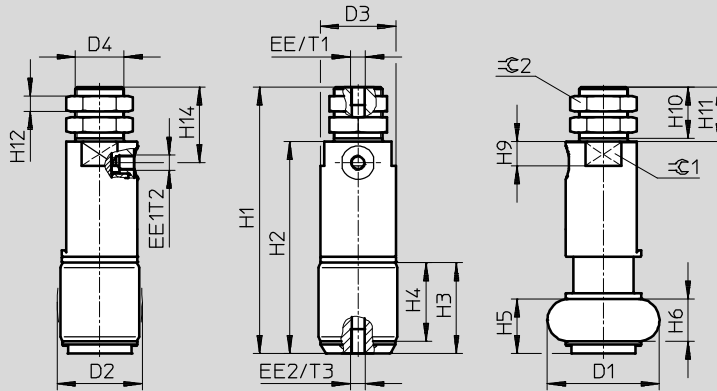
FESTO

## Dimensions

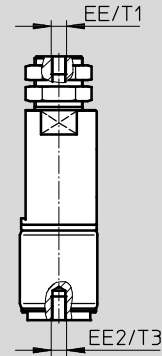
Download CAD data → [www.festo.com](http://www.festo.com)

DHEB-...-D – Actuation direction: Downwards

DHEB-...-D-...-P,  
supply port at side

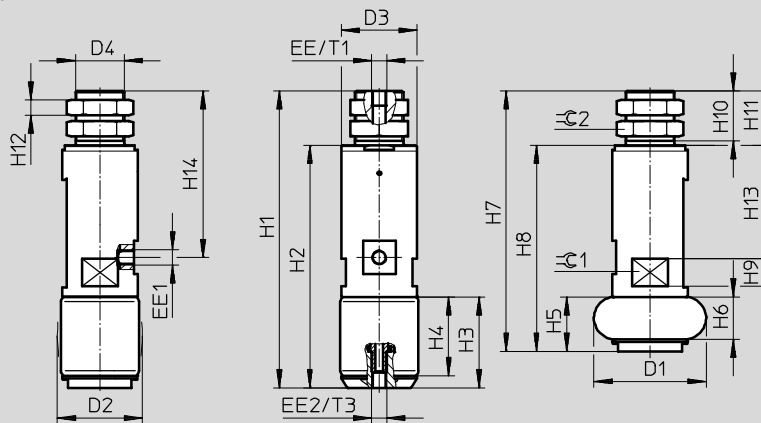


DHEB-...-D-...-L,  
supply port on top

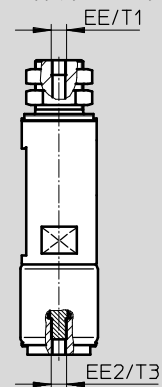


DHEB-...-U – Actuation direction: Upwards

DHEB-...-U-...-P,  
supply port at side



DHEB-...-U-...-L,  
supply port on top



Size [mm]	D1 ∅ ±1	D2 ∅ ±1	D3 ∅	D4		EE	EE1	EE2	H1	
				DHEB-...-D	DHEB-...-U				DHEB-...-D ±1	DHEB-...-U ±1
8	11	8	14	M10x1	M10x1	M5	M3	M2	52.7	57.5
10	14	10.5	14	M10x1	M10x1	M5	M3	M2	54.2	58.8
12	17	13	14	M12x1	M10x1	M5	M3	M3	55.5	60.5
14	19.5	15	14	M12x1	M10x1	M5	M3	M3	55.8	64
18	25	19.5	18	M12x1	M12x1	M5	M5	M3	65	72.5
22	31.5	24	21.5	M14x1	M14x1	M5	M5	M3	75.5	82
27	37	28	25	M16x1	M16x1	M5	M5	M5	88	98
33	45	34	30	M22x1.5	M22x1.5	G $\frac{1}{8}$	M5	G $\frac{1}{8}$	109	116
41	54	42	40	M22x1.5	M22x1.5	G $\frac{1}{8}$	M5	G $\frac{1}{8}$	126.5	131
51	68	54	50	M26x1.5	M26x1.5	G $\frac{1}{8}$	G $\frac{1}{8}$	G $\frac{1}{8}$	159	160
63	85	66	60	M26x1.5	M26x1.5	G $\frac{1}{8}$	G $\frac{1}{8}$	G $\frac{1}{8}$	189	185



# Bellows grippers DHEB

Technical data

Size [mm]	H2		H3	H4	H5	H6	H7	H8
	DHEB-...-D ±1	DHEB-...-U ±1						
8	39.7	44.5	9.2	7	5.2	3	53.5	40.5
10	41.2	45.5	10.7	8.5	6.2	4	54	41
12	42.5	47.5	13	10.5	7.5	5	55	42
14	42.8	51	15.8	13	8.8	6	57	44
18	51	58.5	19.5	16.5	12	9	65	51
22	60.5	67	24.2	21	14.2	11	72	57
27	70	80	30	26	18	14	86	68
33	84	91	37	32.5	22.5	18	101.5	76.5
41	101.5	106	45	39.5	29.5	24	115.5	90.5
51	127	128	55	48	37	30	142	110
63	157	153	70	61	45	36	160	128

Size [mm]	H9		H10		H11	H12		H13 ±0.5	H14	
	DHEB-...-D	DHEB-...-U	DHEB-...-D ±1	DHEB-...-U ±1		DHEB-...-D	DHEB-...-U		DHEB-...-D ±0.5	DHEB-...-U ±0.5
8	6	-	12	12	13	3.5	3.5	21	17.5	35.5
10	6	-	12	12	13	3.5	3.5	21.55	17.5	36
12	6	-	12	12	13	4	3.5	22.4	17.5	36.5
14	6	6	12	12	13	4	3.5	26.2	17.5	38.2
18	6	7	13	13	14	4	4	29	19.3	42
22	7	8	14	14	15	5	5	31.8	21	46.5
27	8	9	17	16.5	18	5	5	37.5	25	55
33	8	10	24	23.5	25	6	6	40.5	31.5	65
41	11	12	23.5	23.5	25	6	6	45	32.5	70
51	13	14	30	30	32	8	8	54	42.5	88.5
63	16	16	30	30	32	8	8	62	46	96.5

Size [mm]	T1		T2 min.	T3		≈C1		≈C2	
	DHEB-...-D ±2	DHEB-...-U ±2		DHEB-...-D min.	DHEB-...-U min.	DHEB-...-D	DHEB-...-U	DHEB-...-D	DHEB-...-U
8	5	5	-	3.5	3.5	13	13	13	13
10	5	5	-	3.5	3.5	13	13	13	13
12	5	5	-	4	4	13	13	15	13
14	5	5	-	4	4	13	13	15	13
18	5	5	-	4	4	16	16	15	15
22	5	5	-	5	5	19	20	17	17
27	5	5	5	8	-	22	22	19	19
33	8	8	5	8	7	28	27	27	27
41	8	8	6	7	-	36	36	27	27
51	8	9	8	-	-	45	45	32	32
63	10	10	8	-	-	54	54	32	32

# Bellows grippers DHEB

Technical data

Ordering data – Actuation direction: Downwards				
Size [mm]	Material: Bellows		EPDM	
	Part No.	Type	Part No.	Type
Supply port: On top				
8	1320754	DHEB-8-E-D-S-L	1320765	DHEB-8-E-D-E-L
10	1320755	DHEB-10-E-D-S-L	1320766	DHEB-10-E-D-E-L
12	1320756	DHEB-12-E-D-S-L	1320767	DHEB-12-E-D-E-L
14	1320757	DHEB-14-E-D-S-L	1320768	DHEB-14-E-D-E-L
18	1320758	DHEB-18-E-D-S-L	1320769	DHEB-18-E-D-E-L
22	1320759	DHEB-22-E-D-S-L	1320770	DHEB-22-E-D-E-L
27	1320760	DHEB-27-E-D-S-L	1320771	DHEB-27-E-D-E-L
33	1320761	DHEB-33-E-D-S-L	1320772	DHEB-33-E-D-E-L
41	1320762	DHEB-41-E-D-S-L	1320773	DHEB-41-E-D-E-L
51	1320763	DHEB-51-E-D-S-L	1320774	DHEB-51-E-D-E-L
63	1320764	DHEB-63-E-D-S-L	1320775	DHEB-63-E-D-E-L
Supply port: At the side				
8	1320776	DHEB-8-E-D-S-P	1320787	DHEB-8-E-D-E-P
10	1320777	DHEB-10-E-D-S-P	1320788	DHEB-10-E-D-E-P
12	1320778	DHEB-12-E-D-S-P	1320789	DHEB-12-E-D-E-P
14	1320779	DHEB-14-E-D-S-P	1320790	DHEB-14-E-D-E-P
18	1320780	DHEB-18-E-D-S-P	1320791	DHEB-18-E-D-E-P
22	1320781	DHEB-22-E-D-S-P	1320792	DHEB-22-E-D-E-P
27	1320782	DHEB-27-E-D-S-P	1320793	DHEB-27-E-D-E-P
33	1320783	DHEB-33-E-D-S-P	1320794	DHEB-33-E-D-E-P
41	1320784	DHEB-41-E-D-S-P	1320795	DHEB-41-E-D-E-P
51	1320785	DHEB-51-E-D-S-P	1320796	DHEB-51-E-D-E-P
63	1320786	DHEB-63-E-D-S-P	1320797	DHEB-63-E-D-E-P

Ordering data – Actuation direction: Upwards				
Size [mm]	Material: Bellows		EPDM	
	Part No.	Type	Part No.	Type
Supply port: On top				
8	1320798	DHEB-8-E-U-S-L	1320809	DHEB-8-E-U-E-L
10	1320799	DHEB-10-E-U-S-L	1320810	DHEB-10-E-U-E-L
12	1320800	DHEB-12-E-U-S-L	1320811	DHEB-12-E-U-E-L
14	1320801	DHEB-14-E-U-S-L	1320812	DHEB-14-E-U-E-L
18	1320802	DHEB-18-E-U-S-L	1320813	DHEB-18-E-U-E-L
22	1320803	DHEB-22-E-U-S-L	1320814	DHEB-22-E-U-E-L
27	1320804	DHEB-27-E-U-S-L	1320815	DHEB-27-E-U-E-L
33	1320805	DHEB-33-E-U-S-L	1320816	DHEB-33-E-U-E-L
41	1320806	DHEB-41-E-U-S-L	1320817	DHEB-41-E-U-E-L
51	1320807	DHEB-51-E-U-S-L	1320818	DHEB-51-E-U-E-L
63	1320808	DHEB-63-E-U-S-L	1320819	DHEB-63-E-U-E-L
Supply port: At the side				
8	1320820	DHEB-8-E-U-S-P	1320831	DHEB-8-E-U-E-P
10	1320821	DHEB-10-E-U-S-P	1320832	DHEB-10-E-U-E-P
12	1320822	DHEB-12-E-U-S-P	1320833	DHEB-12-E-U-E-P
14	1320823	DHEB-14-E-U-S-P	1320834	DHEB-14-E-U-E-P
18	1320824	DHEB-18-E-U-S-P	1320835	DHEB-18-E-U-E-P
22	1320825	DHEB-22-E-U-S-P	1320836	DHEB-22-E-U-E-P
27	1320826	DHEB-27-E-U-S-P	1320837	DHEB-27-E-U-E-P
33	1320827	DHEB-33-E-U-S-P	1320838	DHEB-33-E-U-E-P
41	1320828	DHEB-41-E-U-S-P	1320839	DHEB-41-E-U-E-P
51	1320829	DHEB-51-E-U-S-P	1320840	DHEB-51-E-U-E-P
63	1320830	DHEB-63-E-U-S-P	1320841	DHEB-63-E-U-E-P

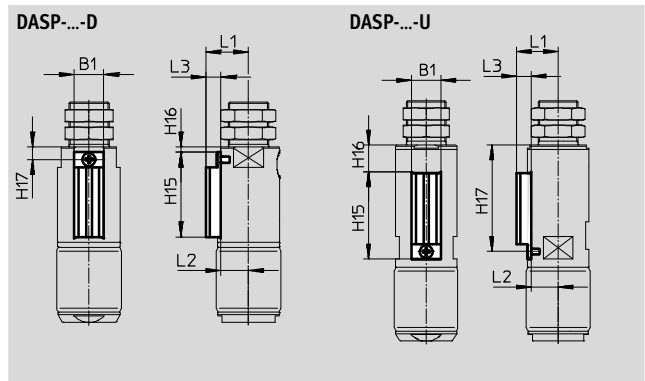
# Bellows grippers DHEB

Accessories



## Sensor rail DASP

Material:  
Anodised wrought aluminium alloy  
Free of copper and PTFE  
RoHS-compliant




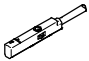

Dimensions and ordering data											
For size	B1	H15	H16	H17	L1	L2	L3	Weight	Part No.	Type	
[mm]								[g]			
For bellows gripper DHEB-...-D (direction of movement: downwards)											
27	11.8	34.5	2	5	17	11	6	4	1329132	DASP-G3-27-C-D	
33	11.8	41	2	5	19.7	13.7	6	5	1325616	DASP-G3-33-C-D	
41	11.8	47	3	6	23.8	17.8	6	5	1355309	DASP-G3-41-C-D	
51	11.8	55.5	7	10	28.5	22.5	6	6	1356949	DASP-G3-51-C-D	
63	11.8	61	11	14	33.5	27.5	6	7	1359395	DASP-G3-63-C-D	
For bellows gripper DHEB-...-U (direction of movement: upwards)											
27	11.8	34.5	12	43.5	17	11	6	4	1329142	DASP-G3-27-C-U	
33	11.8	39.5	11	47.5	19.8	13.8	6	5	1323641	DASP-G3-33-C-U	
41	11.8	43	13.5	53.5	23.8	17.8	6	5	1355307	DASP-G3-41-C-U	
51	11.8	45.5	17	59.5	28.5	22.5	6	6	1356889	DASP-G3-51-C-U	
63	11.8	51.5	20	68.5	33.5	27.5	6	7	1359219	DASP-G3-63-C-U	


# Bellows grippers DHEB

Accessories

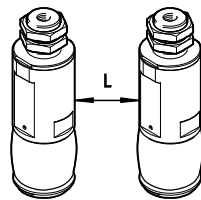
FESTO

Ordering data – Proximity sensors for C-slot, magneto-resistive						Technical data → Internet: smt
	Type of mounting	Electrical connection, connection direction	Switching output	Cable length [m]	Part No.	Type
N/O contact						
	Insertable in the slot lengthwise	Cable, 3-wire, lateral	PNP	2.5	<b>547862</b>	<b>SMT-10G-PS-24V-E-2,5Q-OE</b>
		Plug M8x1, 3-pin, lateral		0.3	<b>547863</b>	<b>SMT-10G-PS-24V-E-0,3Q-M8D</b>



Ordering data – Proximity sensors for C-slot						Technical data → Internet: smt
	Assembly	Electrical connection, connection direction	Switching output	Cable length [m]	Part No.	Type
N/O contact, magneto-resistive						
	Insertable in the slot from above	Cable, 3-wire, in-line	PNP	2.5	<b>551373</b>	<b>SMT-10M-PS-24V-E-2,5-L-OE</b>
		Plug M8x1, 3-pin, in-line		0.3	<b>551375</b>	<b>SMT-10M-PS-24V-E-0,3-L-M8D</b>
N/O contact, magnetic reed						
	Insertable in the slot lengthwise	Cable, 3-wire, in-line	Contacting	2.5	<b>173210</b>	<b>SME-10-KL-LED-24</b>
		Plug M8x1, 3-pin, in-line		0.3	<b>173212</b>	<b>SME-10-SL-LED-24</b>

 Note

When using proximity sensors, ferritic parts (e.g. mounting screws) can result in interference. A minimum distance must therefore be adhered to between the grippers.



Size	27	33	41	51	63
Minimum distance [mm]	20	20	30	15	15

Ordering data – Connecting cables					Technical data → Internet: nebu
	Electrical connection, left	Electrical connection, right	Cable length [m]	Part No.	Type
	Straight socket, M8x1, 3-pin	Cable, open end, 3-wire	2.5	<b>541333</b>	<b>NEBU-M8G3-K-2.5-LE3</b>
			5	<b>541334</b>	<b>NEBU-M8G3-K-5-LE3</b>
	Angled socket, M8x1, 3-pin	Cable, open end, 3-wire	2.5	<b>541338</b>	<b>NEBU-M8W3-K-2.5-LE3</b>
			5	<b>541341</b>	<b>NEBU-M8W3-K-5-LE3</b>

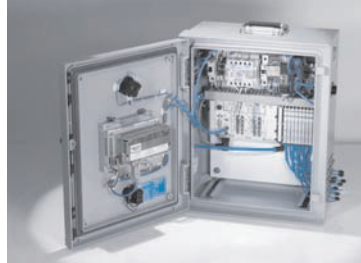
## Product Range and Company Overview

### A Complete Suite and Company Overview

Our experienced engineers provide complete support at every stage of your development process, including: conceptualization, analysis, engineering, design, assembly, documentation, validation, and production.



**Custom Automation Components**  
Complete custom engineered solutions



**Custom Control Cabinets**  
Comprehensive engineering support and on-site services



**Complete Systems**  
Shipment, stocking and storage services

### The Broadest Range of Automation Components

With a comprehensive line of more than 30,000 automation components, Festo is capable of solving the most complex automation requirements.



**Electromechanical**  
Electromechanical actuators, motors, controllers & drivers



**Pneumatics**  
Pneumatic linear and rotary actuators, valves, and air supply



**PLCs and I/O Devices**  
PLC's, operator interfaces, sensors and I/O devices

### Supporting Advanced Automation... As No One Else Can!

Festo is a leading global manufacturer of pneumatic and electromechanical systems, components and controls for industrial automation, with more than 16,000 employees in 60 national headquarters serving more than 180 countries. For more than 80 years, Festo has continuously elevated the state of manufacturing with innovations and optimized motion control solutions that deliver higher performing, more profitable automated manufacturing and processing equipment. Our dedication to the advancement of automation extends beyond technology to the education and development of current and future automation and robotics designers with simulation tools, teaching programs, and on-site services.

### Quality Assurance, ISO 9001 and ISO 14001 Certifications

Festo Corporation is committed to supply all Festo products and services that will meet or exceed our customers' requirements in product quality, delivery, customer service and satisfaction.

To meet this commitment, we strive to ensure a consistent, integrated, and systematic approach to management that will meet or exceed the requirements of the ISO 9001 standard for Quality Management and the ISO 14001 standard for Environmental Management.

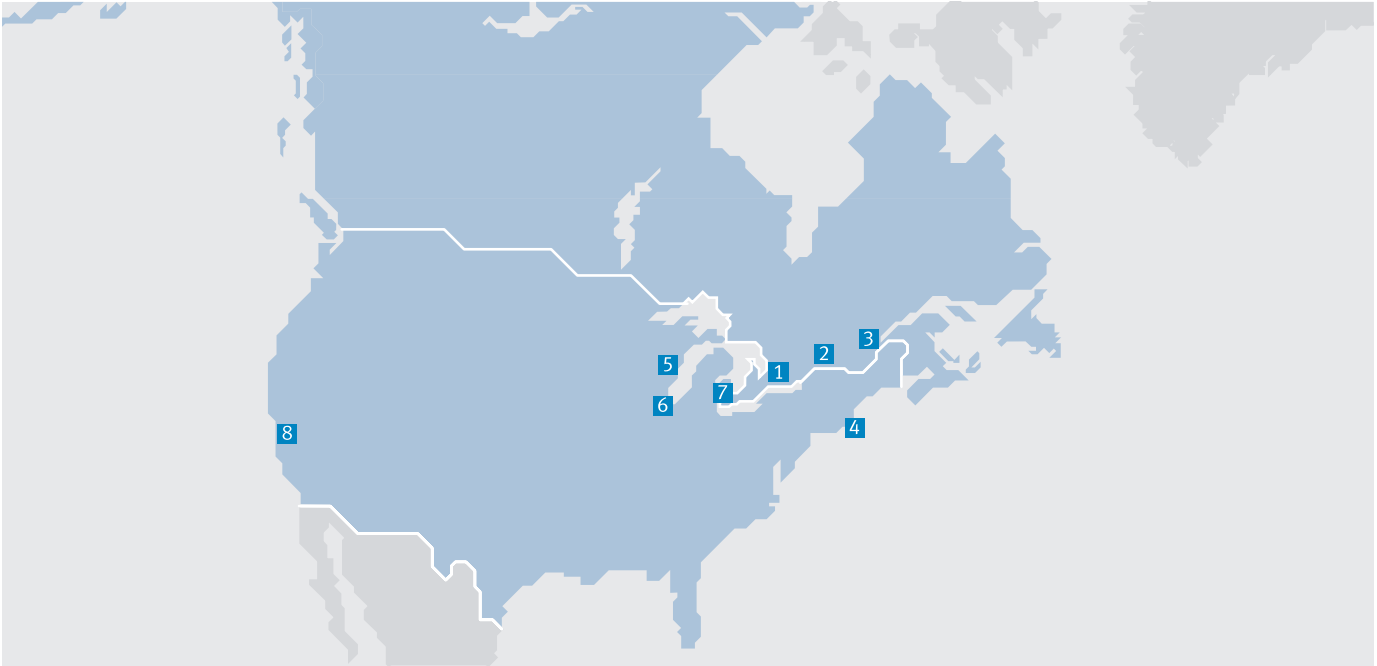


© Copyright 2013, Festo Corporation. While every effort is made to ensure that all dimensions and specifications are correct, Festo cannot guarantee that publications are completely free of any error, in particular typing or printing errors. Accordingly, Festo cannot be held responsible for the same. For Liability and Warranty conditions, refer to our "Terms and Conditions of Sale", available from your local Festo office. All rights reserved. No part of this publication may be reproduced, distributed, or transmitted in any form or by any means, electronic, mechanical, photocopying or otherwise, without the prior written permission of Festo. All technical data subject to change according to technical update.



Printed on recycled paper at New Horizon Graphic, Inc., FSC certified as an environmental friendly printing plant.

# Festo North America



**1 Festo Canada  
Headquarters  
Festo Inc.**  
5300 Explorer Drive  
Mississauga, ON  
L4W 5G4

**2 Montréal**  
5600, Trans-Canada  
Pointe-Claire, QC  
H9R 1B6

**3 Québec City**  
2930, rue Watt#117  
Québec, QC  
G1X 4G3



**4 Festo United States  
Headquarters  
Festo Corporation**  
395 Moreland Road  
Hauppauge, NY  
11788

**5 Appleton**  
North 922 Tower View Drive, Suite N  
Greenville, WI  
54942

**7 Detroit**  
1441 West Long Lake Road  
Troy, MI  
48098

**6 Chicago**  
85 W Algonquin - Suite 340  
Arlington Heights, IL  
60005

**8 Silicon Valley**  
4935 Southfront Road, Suite F  
Livermore, CA  
94550

## Festo Regional Contact Center

### Canadian Customers

Commercial Support:  
Tel: 1 877 GO FESTO (1 877 463 3786)  
Fax: 1 877 FX FESTO (1 877 393 3786)  
Email: festo.canada@ca.festo.com

Technical Support:  
Tel: 1 866 GO FESTO (1 866 463 3786)  
Fax: 1 877 FX FESTO (1 877 393 3786)  
Email: technical.support@ca.festo.com

### USA Customers

Commercial Support:  
Tel: 1 800 99 FESTO (1 800 993 3786)  
Fax: 1 800 96 FESTO (1 800 963 3786)  
Email: customer.service@us.festo.com

Technical Support:  
Tel: 1 866 GO FESTO (1 866 463 3786)  
Fax: 1 800 96 FESTO (1 800 963 3786)  
Email: product.support@us.festo.com