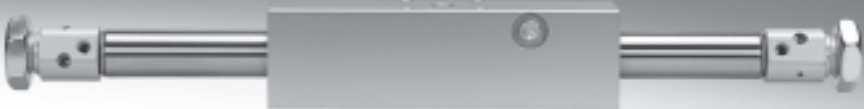


Linear drive units DGO



Linear drive units DGO

Features

FESTO



General information

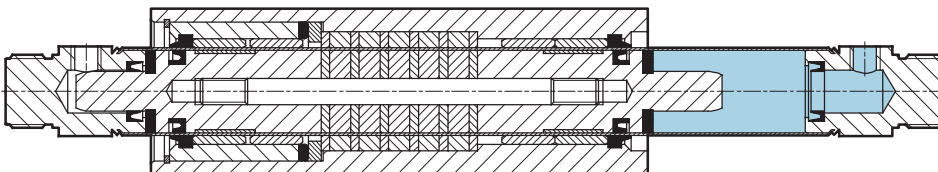
- Double-acting
- Magnetically coupled without mechanical connections
- Piston chamber and slide are pressure tight
- Pressure tight and leak-free system
- Dirt and dust cannot enter
- Space-saving installation with long strokes
- For contactless position sensing
- With adjustable end-position cushioning at both ends (not for piston \varnothing of 12 mm)

The technology in detail

Motion is transmitted via the force locking of the magnetic coupling on the moveable outer slide.

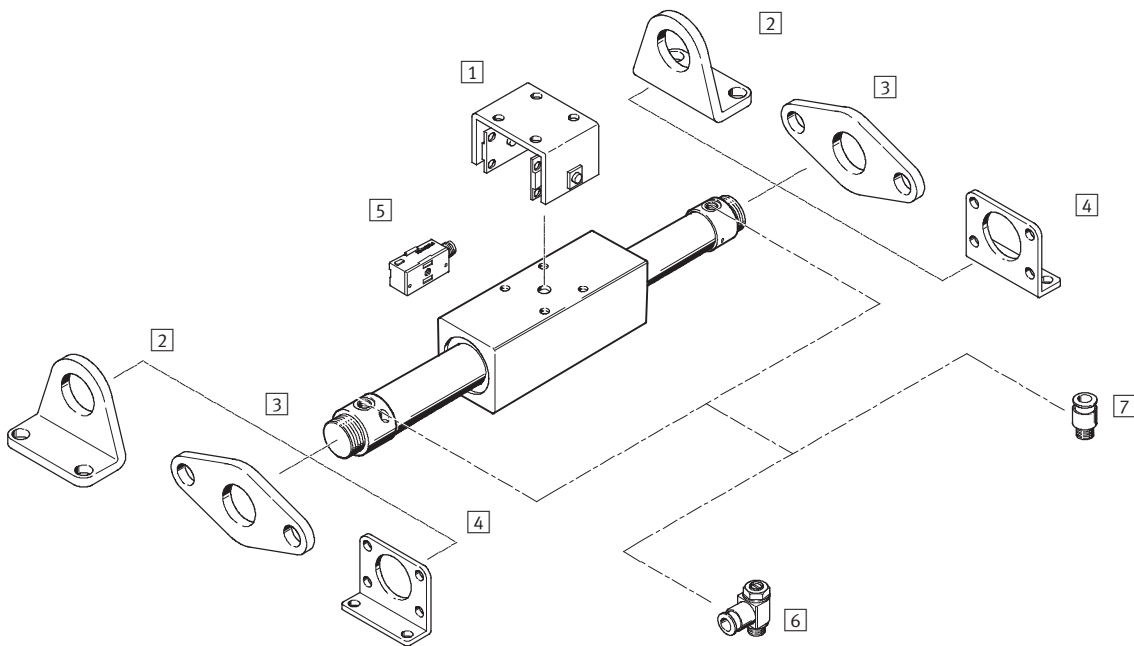
This means that there is no advancing piston rod; the installation space required is less than for conventional pneumatic cylinders.

The cylinder chamber is hermetically sealed against the outer slide as there is no mechanical connection. This prevents any leakage loss.



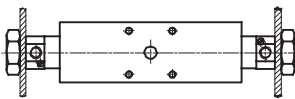
Linear drive units DGO

Peripherals overview



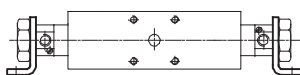
Mounting options

With hexagonal nuts (included in scope of delivery)



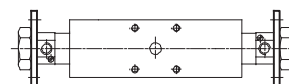
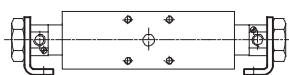
With mounting attachments

Foot mounting HBN



Flange mounting

FBN



Mounting attachments and accessories

	Brief description	→ Page/Internet
1 Moment compensator FKG	To compensate misalignments and eliminate tilting moments	10
2 Foot mounting HBN	On end caps for piston \varnothing 12 ... 25 mm	10
3 Flange mounting FBN	On end caps for piston \varnothing 12 ... 25 mm	11
4 Flange mounting FBN	On end caps for piston \varnothing 32 ... 40 mm	11
5 Proximity sensors SMEO-/SMTO-/SMPO-1	For contactless position sensing, mountable externally via a mounting kit	12
6 One-way flow control valve GRLA	To regulate speed	12
7 Push-in fitting QS	For connecting compressed air tubing with standard external diameters	quick star

Linear drive units DGO

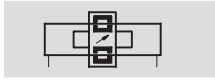
Type codes

	DGO	-	25	-	3000	-	PPV	-	A	-	B
Type											
Double-acting											
DGO	Linear drive unit										
Piston Ø [mm]											
Stroke [mm]											
Cushioning											
P	Flexible cushioning rings/plates at both ends										
PPV	Pneumatic cushioning adjustable at both ends										
Position sensing											
A	For proximity sensing										
Generation											
B	B series										

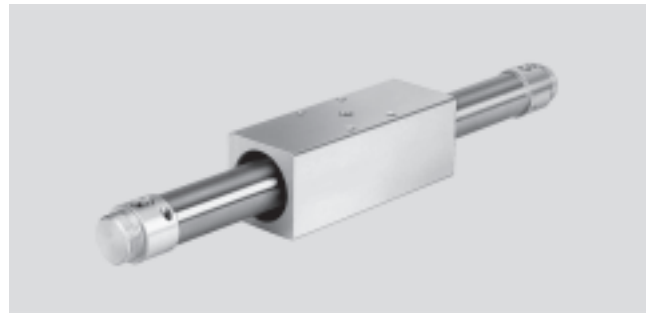
Linear drive units DGO

Technical data

Function



- N- Diameter
12 ... 40 mm
- T- Stroke length
10 ... 4,000 mm



General technical data						
Piston Ø	12	16	20	25	32	40
Stroke [mm]	10 ... 1,200	10 ... 2,500	10 ... 3,000	10 ... 3,500	10 ... 4,000	
Pneumatic connection	M5		G $\frac{1}{8}$		G $\frac{1}{4}$	
Operating medium	Compressed air in accordance with ISO 8573-1:2010 [7:-:-]					
Note on operating/pilot medium	Operation with lubricated medium possible (in which case lubricated operation will always be required)					
Design	Rodless					
Driver principle	Force-locking (magnetic)					
Cushioning	Flexible cushioning rings/plates at both ends	Pneumatic cushioning adjustable at both ends				
Cushioning length [mm]	-	14	17	19	20	23
Position sensing	For proximity sensing					
Type of mounting	With hexagonal nuts					
	With accessories					
Fitting position	Any					

Operating and environmental conditions						
Piston Ø	12	16	20	25	32	40
Operating pressure [bar]	2 ... 7	1.7 ... 7	1.6 ... 7	1.5 ... 7	1.4 ... 7	1.3 ... 7
Temperature range ¹⁾ [°C]	-20 ... +60					

1) Note operating range of proximity sensors

Forces [N]						
Piston Ø	12	16	20	25	32	40
Theoretical force at 6 bar	68	121	188	295	483	754
Breakaway force of the magnetic coupling	100	160	270	400	680	1,050

Weights [g]						
Piston Ø	12	16	20	25	32	40
Product weight with 0 mm stroke	320	620	1,000	1,340	2,400	3,920
Additional weight per 10 mm stroke	2	3	4	4.8	6	8

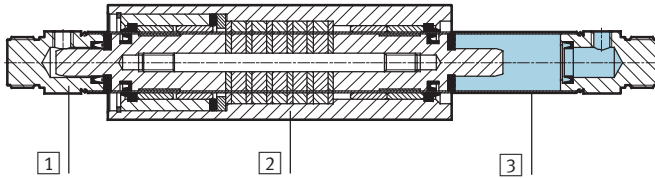
Linear drive units DGO

Technical data

FESTO

Materials

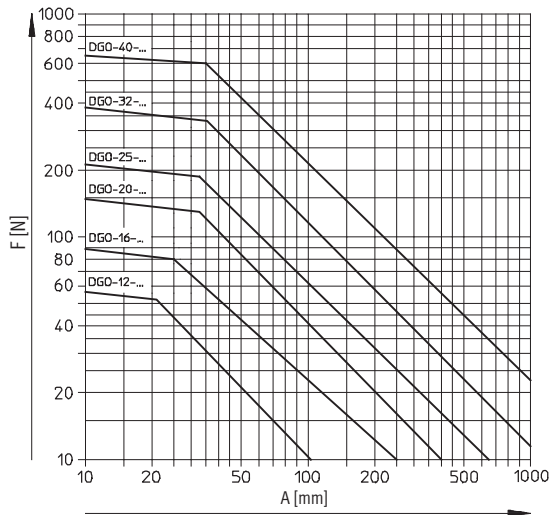
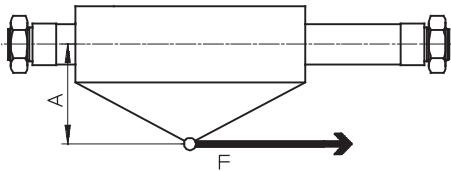
Sectional view



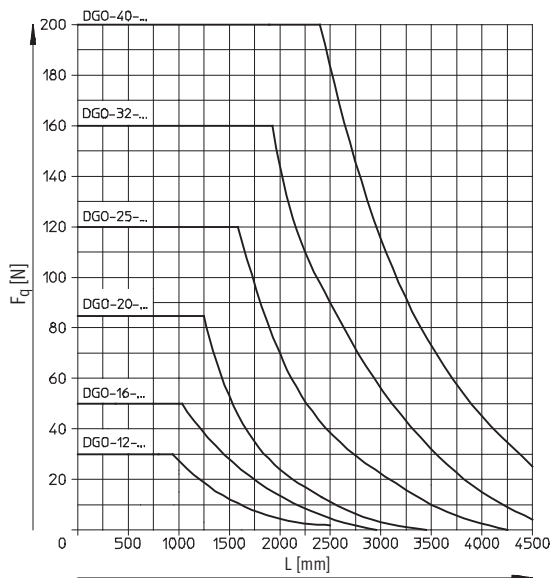
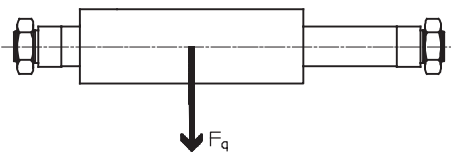
Linear drive unit

1	End cap	Anodised aluminium
2	Outer slide	Anodised aluminium
3	Cylinder barrel	High-alloy steel
-	Seals	Nitrile rubber, polyurethane

Permissible axial force F dependent on lever arm A



Permissible lateral force F_q dependent on stroke length L

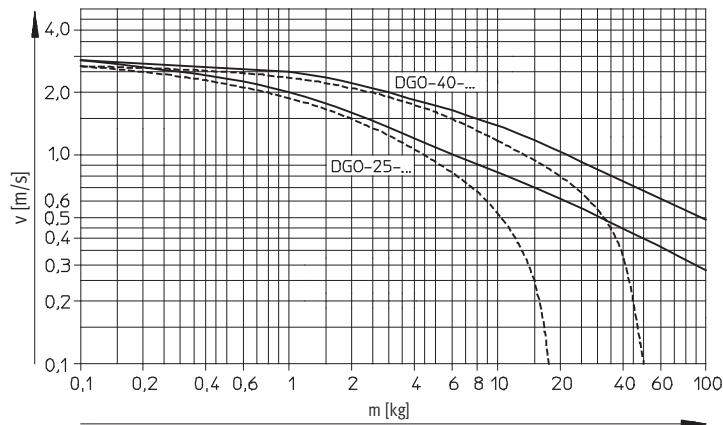
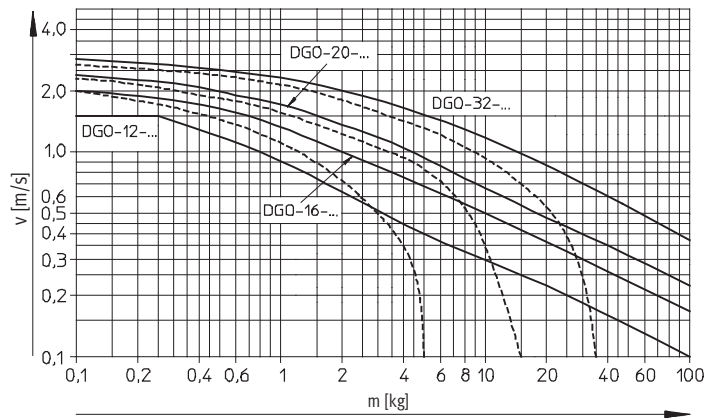


Linear drive units DGO

Technical data

Max. piston speed v dependent on the moving mass m

If the operating conditions are outside the permissible range, the moving mass must be externally cushioned using suitable equipment (shock absorbers or stops).

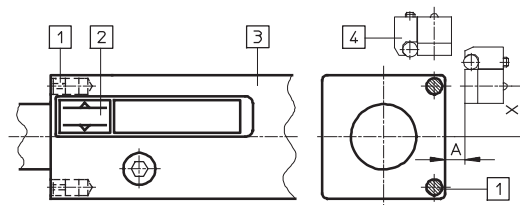


— Horizontal mounting position
 - - - - - Vertical mounting position

Contactless position sensing

Mounting the proximity sensors SMEO-/SMT0-/SMPO-1

The proximity sensors are fitted by the user near the linear drive unit (e.g. on a $\varnothing 6$ mm rod). Contactless position sensing is only possible in the area shown. Too small a distance A can cause multiple switching.



- 1 Switching magnet for proximity sensor
- 2 Switching range
- 3 Outer slide 360° rotatable
- 4 Proximity sensor with mounting kit SMB-1

Switching distances, switching travel and hysteresis [mm]

Proximity sensors	A	X						Switching travel	Hysteresis
		DGO-12-...	DGO-18-...	DGO-20-...	DGO-25-...	DGO-32-...	DGO-40-...		
SMEO-1, SMT0-1	6.0 ... 8.0	10 ... 11	13 ... 14	16 ... 17	20 ... 21	25 ... 26	32 ... 33	7.5 ... 13	1.0 ... 4.5
SMPO-1-H-B	5.0 ... 6.0							7.0 ... 15	0.4 ... 2.5

Linear drive units DGO

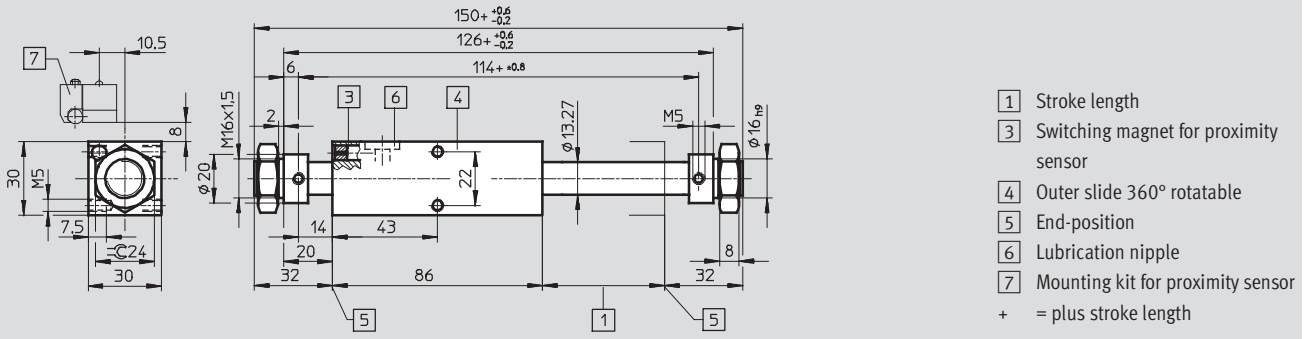
Technical data

FESTO

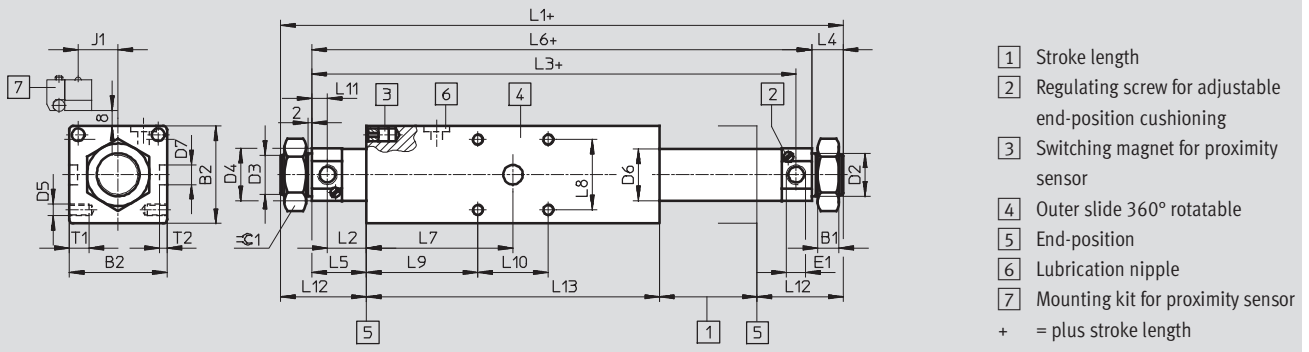
Dimensions

Download CAD Data → www.festo.com/us/cad

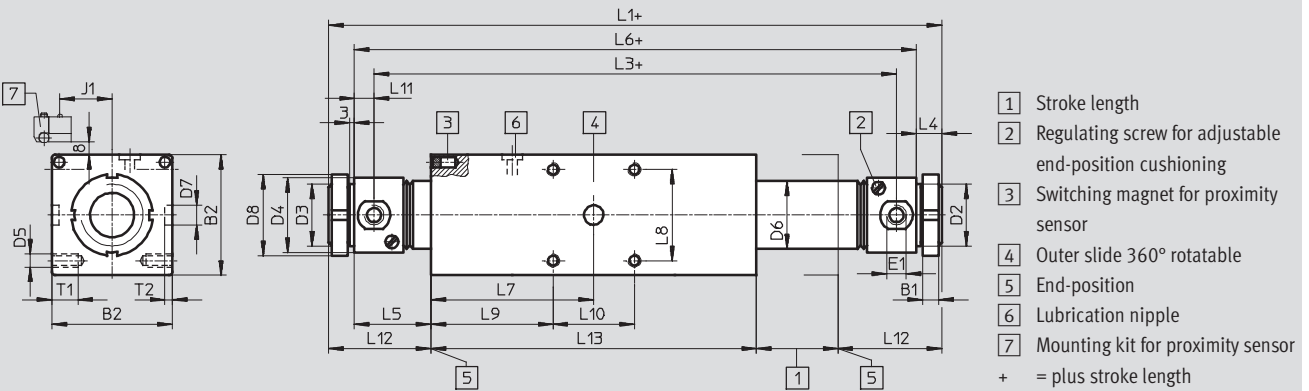
Piston Ø12 mm



Piston Ø16... 25 mm



Piston Ø32... 40 mm



Linear drive units DGO

Technical data

FESTO

Dimensions									
∅	B1	B2	D2	D3	D4	D5	D6	D7	D8
[mm]			∅ h9		∅		∅	∅ h8	∅
16	8	36	16	M16x1.5	20	M5	17.5	8	–
20	11	42	22	M22x1.5	27	M5	21.3	8	–
25	11	50	22	M22x1.5	27	M6	26.5	10	–
32	8	60	30	M30x1.5	38	M6	33.6	10	42
40	10	74	38	M38x1.5	46	M8	42.6	12	50

∅	E1	J1	L1	L2	L3	L4	L5	L6	L7
[mm]									
16	M5	13.5	205 +1/-0.5	12	149 +1/-0.5	12	28	181 ±0.6	62.5
20	G1/8	16.5	217 +0.8/-0.6	16.5	169 +1/-0.8	16	24.5	185 +0.8/-0.6	67.5
25	G1/8 ¹⁾	20.5	238 +1.3/-0.7	20	190 +1.5/-0.9	16	28	206 +1.3/-0.7	75
32	G1/8	25.5	270 +0.8/-0.6	23.6	218 +0.8/-0.6	16	33.6	238 +0.8/-0.6	85
40	G1/4	32	327 +1.3/-0.7	35	271 +1.5/-0.9	16	47	295 +1.3/-0.7	100

∅	L8	L9	L10	L11	L12	L13	T1	T2	≈G1
[mm]									
16	26	49.5	26	16	40	125	8	4	24
20	32	51.5	32	8	40.5	135	10	3	32
25	36	57	36	8	44	150	10	4	32
32	48	61	48	10	49.5	170	12.5	4	–
40	56	75	50	12	63	200	16	4.5	–

1) Max. screw-in depth 7 mm. Use screws supplied by Festo: → www.festo.com

Ordering data			
∅	Stroke	Part No.	Type
[mm]	[mm]		
12	10 ... 1,200	15 221	DGO-12-...-P-A-B
16	10 ... 2,500	15 222	DGO-16-...-PPV-A-B
20	10 ... 3,000	15 223	DGO-20-...-PPV-A-B
25	10 ... 3,500	15 224	DGO-25-...-PPV-A-B
32	10 ... 3,500	15 225	DGO-32-...-PPV-A-B
40	10 ... 4,000	15 226	DGO-40-...-PPV-A-B

Linear drive units DGO

Accessories

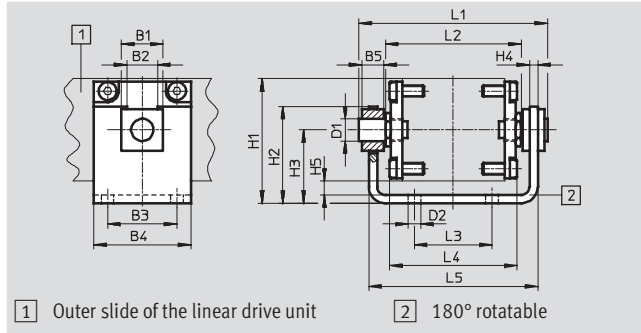


Moment compensator FKG

for piston \varnothing 16 ... 40 mm
Maximum permissible misalignment of parallel guide in longitudinal axis of cylinder = 1 mm.

Scope of delivery: 1 moment compensator and 8 mounting screws

Material:
Galvanised steel



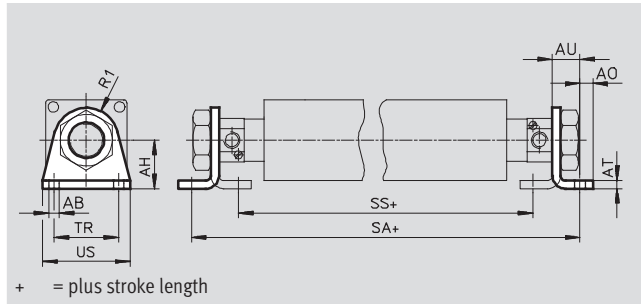
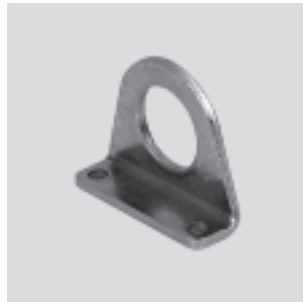
Dimensions and ordering data																					
For \varnothing	B1	B2	B3	B4	B5	D1 \varnothing	D2 \varnothing	H1	H2	H3	H4	H5	L1	L2	L3	L4	L5	CRC ¹⁾	Weight [g]	Part No.	Type
16	18	14	26	40	8	10	5.5	47	40	29	4	7	74	54	26	49	68	2	257	15 233	FKG-16-B
20	18	14	32	42	8	10	5.5	53	43	32	4	7	82	62	32	57	76	2	302	33 339	FKG-20-B
25	22	16	36	50	12	12	6.6	63	50	38	5	8	98	70	36	64	89	2	511	15 234	FKG-25-B
32	22	16	48	60	12	12	6.6	73	55	43	5	8	108	80	48	74	99	2	677	33 340	FKG-32-B
40	30	22	50	70	16	16	9	90	70	53	6	10	134	98	56	92	122	2	1,277	15 235	FKG-40-B

1) Corrosion resistance class 2 according to Festo standard 940 070
Components requiring moderate corrosion resistance. Externally visible parts with primarily decorative surface requirements which are in direct contact with a surrounding industrial atmosphere or media such as cooling or lubricating agents.

Foot mounting HBN

for piston \varnothing 12 ... 25 mm

Material:
Galvanised steel
Free of copper, PTFE and silicone



Dimensions and ordering data														
For \varnothing	AB \varnothing	AH	AO	AT	AU	R1	SA	SS	TR	US	CRC ¹⁾	Weight [g]	Part No.	Type
12	5.5	20	6	4	14	13	153	105	32	42	2	40	5 125	HBN-12/16x1
16	5.5	27	6	4	14	13	209	161	32	42	2	50	6 062	HBN-12/16x1-A
20	6.6	30	8	5	17	20	219	161	40	54	2	100	6 064	HBN-20/25x1-A
25	6.6	30	8	5	17	20	240	182	40	54	2	100	6 064	HBN-20/25x1-A

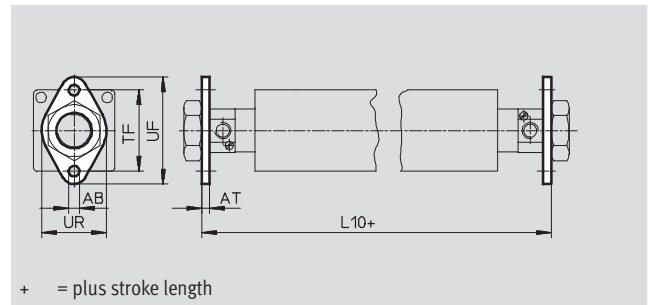
1) Corrosion resistance class 2 according to Festo standard 940 070
Components requiring moderate corrosion resistance. Externally visible parts with primarily decorative surface requirements which are in direct contact with a surrounding industrial atmosphere or media such as cooling or lubricating agents.

Linear drive units DGO

Accessories

Flange mounting FBN
for piston \varnothing 12 ... 25 mm

Material:
Galvanised steel
Free of copper, PTFE and silicone

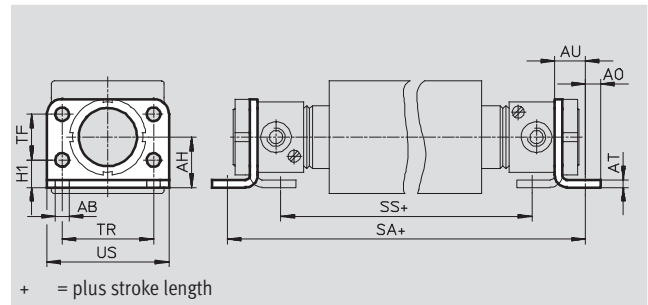


Dimensions and ordering data												
For \varnothing	AB \varnothing	AT	L10	TF	UF	UR	US	CRC ¹⁾	Weight [g]	Part No.	Type	
12	5.5	4	133	40	53	30	42	2	26	5 130	FBN-12/16	
16	5.5	4	189	40	53	30	42	2	26	5 130	FBN-12/16	
20	6.6	5	189	50	66	40	54	2	52	5 131	FBN-20/25	
25	6.6	5	216	50	66	40	54	2	52	5 131	FBN-20/25	

1) Corrosion resistance class 2 according to Festo standard 940 070
Components requiring moderate corrosion resistance. Externally visible parts with primarily decorative surface requirements which are in direct contact with a surrounding industrial atmosphere or media such as cooling or lubricating agents.

Flange mounting FBN
for piston \varnothing 32 ... 40 mm

Material:
Galvanised steel
Free of copper, PTFE and silicone




Dimensions and ordering data															
For \varnothing	AB \varnothing	AH	A0	AT	AU	H1	SA	SS	TF	TR	US	CRC ¹⁾	Weight [g]	Part No.	Type
32	7	28	7	4	14	14	266	218	28	52	66	2	102	195 855	FBN-32
40	9	33	10	5	19	18	335	265	30	60	80	2	190	195 856	FBN-40


1) Corrosion resistance class 2 according to Festo standard 940 070
Components requiring moderate corrosion resistance. Externally visible parts with primarily decorative surface requirements which are in direct contact with a surrounding industrial atmosphere or media such as cooling or lubricating agents.


Linear drive units DGO

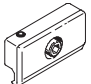
Accessories



FESTO


Ordering data – Rectangular proximity sensors, magneto-resistive						Technical data → Internet: smto	
	Mounting	Switch output	Electrical connection		Cable length [m]	Part No.	Type
			Cable	M8 plug			
NO contact							
	With accessories	PNP	3-wire	–	2.5	151 683	SMTO-1-PS-K-LED-24-C
			–	3-pin	–	151 685	SMTO-1-PS-S-LED-24-C
		NPN	3-wire	–	2.5	151 684	SMTO-1-NS-K-LED-24-C
			–	3-pin	–	151 686	SMTO-1-NS-S-LED-24-C

Ordering data – Rectangular proximity sensors, magnetic reed						Technical data → Internet: smeo	
	Mounting	Electrical connection		Cable length [m]	Part No.	Type	
		Cable	M8 plug				
NO contact							
	With accessories	3-wire	–	2.5	30 459	SMEO-1-LED-24-B	
		3-wire	–	5.0	151 672	SMEO-1-LED-24-K5-B	
		–	3-pin	–	150 848	SMEO-1-S-LED-24-B	

Ordering data – Rectangular proximity sensors, pneumatic				Technical data → Internet: smpo	
	Mounting	Pneumatic connection		Part No.	Type
3/2-way valve, normally closed					
	With accessories	Barbed fitting for 3 mm tubing ID		31 008	SMPO-1-H-B

Ordering data – Mounting kit			Technical data → Internet: smb	
	Mounting		Part No.	Type
	For cylinder with tie rod \varnothing 6 mm or DUO rail mounting profile		11 886	SMB-1

Ordering data – Connecting cables					Technical data → Internet: nebu	
	Electrical connection, left	Electrical connection, right	Cable length [m]	Part No.	Type	
	Straight socket, M8x1, 3-pin	Cable, open end, 3-wire	2.5	541 333	NEBU-M8G3-K-2.5-LE3	
			5	541 334	NEBU-M8G3-K-5-LE3	
	Angled socket, M8x1, 3-pin	Cable, open end, 3-wire	2.5	541 338	NEBU-M8W3-K-2.5-LE3	
			5	541 341	NEBU-M8W3-K-5-LE3	

Ordering data – One-way flow control valves				Technical data → Internet: grla	
	Connection		Material	Part No.	Type
	Thread	For tubing OD			
	M5	3	Metal design	193 137	GRLA-M5-QS-3-D
		4		193 138	GRLA-M5-QS-4-D
	G $\frac{1}{8}$	4		193 143	GRLA- $\frac{1}{8}$ -QS-4-D
		6		193 144	GRLA- $\frac{1}{8}$ -QS-6-D
	G $\frac{1}{4}$	6		193 146	GRLA- $\frac{1}{4}$ -QS-6-D
		8		193 147	GRLA- $\frac{1}{4}$ -QS-8-D

Product Range and Company Overview

A Complete Suite of Automation Services

Our experienced engineers provide complete support at every stage of your development process, including: conceptualization, analysis, engineering, design, assembly, documentation, validation, and production.



Custom Automation Components
Complete custom engineered solutions



Custom Control Cabinets
Comprehensive engineering support and on-site services



Complete Systems
Shipment, stocking and storage services

The Broadest Range of Automation Components

With a comprehensive line of more than 30,000 automation components, Festo is capable of solving the most complex automation requirements.



Electromechanical
Electromechanical actuators, motors, controllers & drives



Pneumatics
Pneumatic linear and rotary actuators, valves, and air supply



PLCs and I/O Devices
PLC's, operator interfaces, sensors and I/O devices

Supporting Advanced Automation... As No One Else Can!

Festo is a leading global manufacturer of pneumatic and electromechanical systems, components and controls for industrial automation, with more than 12,000 employees in 56 national headquarters serving more than 180 countries. For more than 80 years, Festo has continuously elevated the state of manufacturing with innovations and optimized motion control solutions that deliver higher performing, more profitable automated manufacturing and processing equipment. Our dedication to the advancement of automation extends beyond technology to the education and development of current and future automation and robotics designers with simulation tools, teaching programs, and on-site services.

Quality Assurance, ISO 9001 and ISO 14001 Certifications

Festo Corporation is committed to supply all Festo products and services that will meet or exceed our customers' requirements in product quality, delivery, customer service and satisfaction.

To meet this commitment, we strive to ensure a consistent, integrated, and systematic approach to management that will meet or exceed the requirements of the ISO 9001 standard for Quality Management and the ISO 14001 standard for Environmental Management.



© Copyright 2008, Festo Corporation. While every effort is made to ensure that all dimensions and specifications are correct, Festo cannot guarantee that publications are completely free of any error, in particular typing or printing errors. Accordingly, Festo cannot be held responsible for the same. For Liability and Warranty conditions, refer to our "Terms and Conditions of Sale", available from your local Festo office. All rights reserved. No part of this publication may be reproduced, distributed, or transmitted in any form or by any means, electronic, mechanical, photocopying or otherwise, without the prior written permission of Festo. All technical data subject to change according to technical update.



Printed on recycled paper at New Horizon Graphic, Inc., FSC certified as an environmentally friendly printing plant.

Festo North America

Festo Regional Contact Center

5300 Explorer Drive
Mississauga, Ontario L4W 5G4
Canada

USA Customers:

For ordering assistance,

Call: 1.800.99.FESTO (1.800.993.3786)

Fax: 1.800.96.FESTO (1.800.963.3786)

Email: customer.service@us.festo.com

For technical support,

Call: 1.866.GO.FESTO (1.866.463.3786)

Fax: 1.800.96.FESTO (1.800.963.3786)

Email: product.support@us.festo.com

Canadian Customers:

Call: 1.877.GO.FESTO (1.877.463.3786)

Fax: 1.877.FX.FESTO (1.877.393.3786)

Email: festo.canada@ca.festo.com

USA Headquarters

Festo Corporation
395 Moreland Road
P.O. Box 18023
Hauppauge, NY 11788, USA
www.festo.com/us

USA Sales Offices

Appleton

North 922 Tower View Drive, Suite N
Greenville, WI 54942, USA

Boston

120 Presidential Way, Suite 330
Woburn, MA 01801, USA

Chicago

1441 East Business Center Drive
Mt. Prospect, IL 60056, USA

Dallas

1825 Lakeway Drive, Suite 600
Lewisville, TX 75057, USA

Detroit – Automotive Engineering Center

2601 Cambridge Court, Suite 320
Auburn Hills, MI 48326, USA

New York

395 Moreland Road
Hauppauge, NY 11788, USA

Silicon Valley

4935 Southfront Road, Suite F
Livermore, CA 94550, USA

United States



USA Headquarters, East: Festo Corp., 395 Moreland Road, Hauppauge, NY 11788

Phone: 1.631.435.0800; Fax: 1.631.435.8026;

Email: info@festo-usa.com

www.festo.com/us

Canada



Headquarters: Festo Inc., 5300 Explorer Drive, Mississauga, Ontario L4W 5G4

Phone: 1.905.624.9000; Fax: 1.905.624.9001;

Email: festo.canada@ca.festo.com

www.festo.ca

Mexico



Headquarters: Festo Pneumatic, S.A., Av. Ceylán 3, Col. Tequesquahuac,
54020 Tlalneantla, Edo. de México

Phone: 011 52 [55] 53 21 66 00; Fax: 011 52 [55] 53 21 66 65;

Email: festo.mexico@mx.festo.com

www.festo.com/mx

Central USA

Festo Corporation
1441 East Business
Center Drive
Mt. Prospect, IL 60056, USA
Phone: 1.847.759.2600
Fax: 1.847.768.9480



Western USA

Festo Corporation
4935 Southfront Road,
Suite F
Livermore, CA 94550, USA
Phone: 1.925.371.1099
Fax: 1.925.245.1286



Festo Worldwide

Argentina Australia Austria Belarus Belgium Brazil Bulgaria Canada Chile China Colombia Croatia Czech Republic Denmark
Estonia Finland France Germany Great Britain Greece Hong Kong Hungary India Indonesia Iran Ireland Israel Italy Japan Latvia
Lithuania Malaysia Mexico Netherlands New Zealand Norway Peru Philippines Poland Romania Russia Serbia Singapore
Slovakia Slovenia South Africa South Korea Spain Sweden Switzerland Taiwan Thailand Turkey Ukraine United States Venezuela

www.festo.com