

Rodless Cylinders DGO - Inch Series



- Piston Ø 1/2" to 1-5/8"
- Strokes up to 157"
- Double-acting
- Patented magnetic-coupling design
- Leakproof operation

Product range overview						
Function	Type	Piston Ø [in]	Stroke [in]	Force [lbf]	Variants	
					P	PPV
Double-acting	DGO	1/2, 5/8, 3/4, 1, 1-1/4, 1-5/8	0.4 ... 157	13 ... 145	■	■

Variants

- P Flexible cushioning rings at both ends
- PPV Adjustable air cushioning at both ends

Double-acting rodless cylinders equipped with magnetic coupling between the internal piston and external yoke. Movement of the external yoke results when the internal piston is driven with air pressure in

either direction. The magnetic force of the piston pulls the external yoke along the cylinder tube. As the piston moves, the working force is transferred to the yoke.

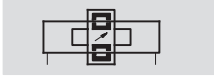
Because no piston rod extends, these cylinders require less space than traditional pneumatic cylinders. Operating devices and loads can be mounted directly to a flat mounting surface on the outer yoke.

Intermediate and end positions of the piston can be detected by proximity sensors, using the magnetic field of the yoke. The cylinder area is hermetically sealed from the outer yoke to prevent leakage.

Rodless cylinders DGO - Inch Series

Technical data

Function



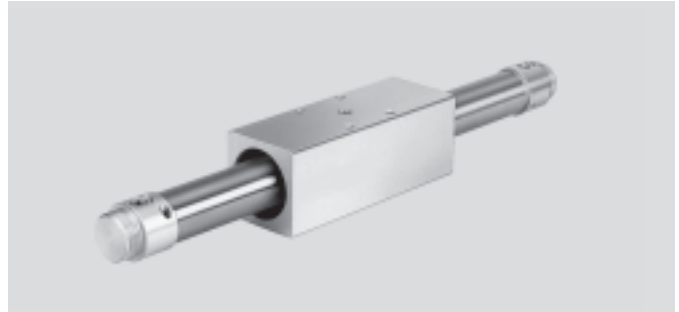
- Double-acting
- Magnetically coupled

Diameter

1/2 ... 1-5/8 inch

Stroke length

0.4 ... 157 inch



General technical data							
Piston Ø		1/2	5/8	3/4	1	1-1/4	1-5/8
Stroke	[in]	0.4 ... 47	0.4 ... 98	0.4 ... 118	0.4 ... 137		0.4 ... 157
Pneumatic connection		10-32 UNF		1/8" NPT		1/4" NPT	
Operating medium		Filtered compressed air, lubricated or unlubricated, other media upon request.					
Design		Rodless (magnetically coupled)					
Cushioning		Flexible cushioning rings at both ends (P)		Adjustable air cushioning at both ends (PPV)			
Cushioning length	[in]	-	0.55	0.67	0.75	0.79	0.91
Magnet for position sensing ¹⁾		Standard					

1) Position sensing via magnetic proximity sensor (ordered separately, see accessories).

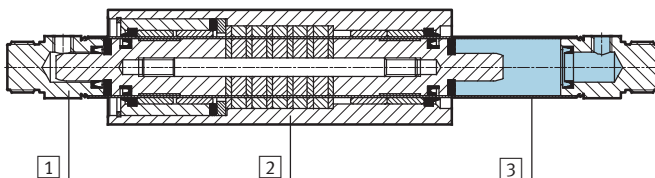
Operating and environmental conditions							
Piston Ø		1/2	5/8	3/4	1	1-1/4	1-5/8
Operating pressure	[psi]	29.4 ... 102.9	25.0 ... 102.9	23.5 ... 102.9	22.0 ... 102.9	20.6 ... 102.9	19.1 ... 102.9
Temperature range ¹⁾	[°F]	-4 ... +140					

1) Note operating range of proximity sensors

Forces [lbf]							
Piston Ø		1/2	5/8	3/4	1	1-1/4	1-5/8
Theoretical force at 90 psi		15.3	27.2	42.3	66.3	108.6	169.5
Breakaway force of the magnetic coupling		22.5	36.0	60.7	89.9	152.9	236.0

Materials

Sectional view



[1]	End cap	Anodized aluminum
[2]	Outer slide	Anodized aluminum
[3]	Cylinder barrel	High-alloy steel
-	Seals	Nitrile rubber, polyurethane

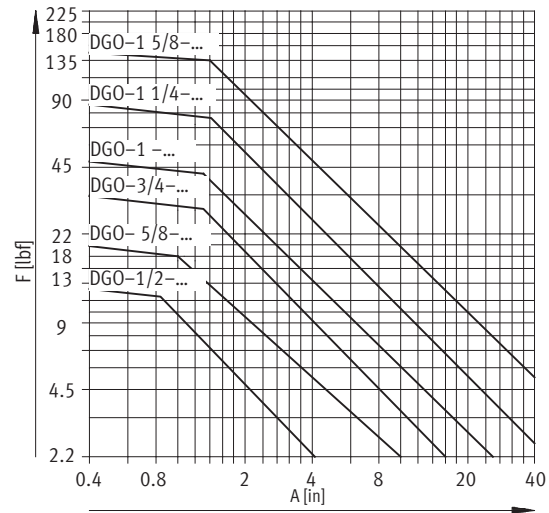
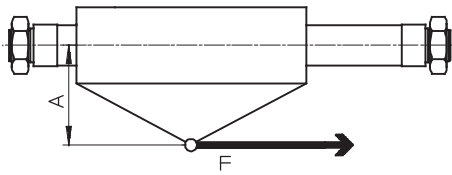
Rodless cylinders DGO - Inch Series

Technical data

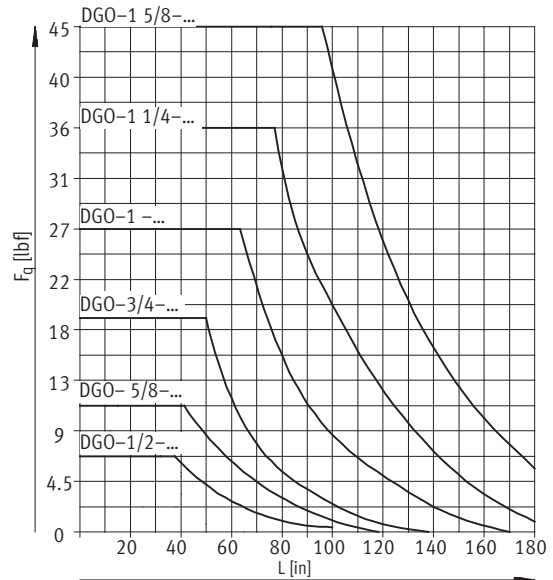
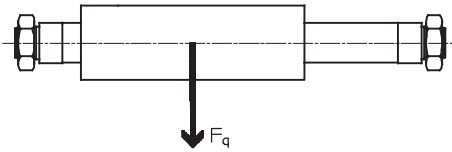


Weights [oz]						
Piston \varnothing	1/2	5/8	3/4	1	1-1/4	1-5/8
Product weight with 0 inch stroke	11.3	21.9	35.3	47.3	84.7	138.3
Additional weight per 1 inch stroke	0.18	0.27	0.36	0.43	0.54	0.72

Permissible axial force F dependent on lever arm A



Permissible lateral force F_q dependent on stroke length L



Rodless cylinders DGO - Inch Series

Technical data

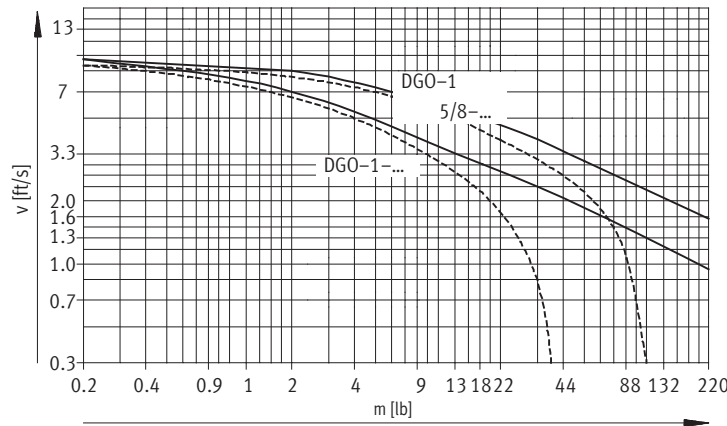
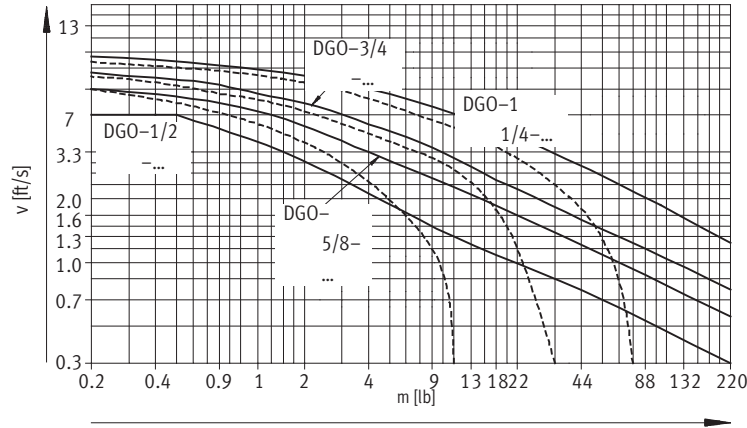


Max. piston speed v dependent on the moving mass m

If the operating conditions are outside the permissible range, the moving mass must be externally cushioned using suitable equipment (shock absorbers or stops). This is done to avoid de-coupling the carriage from the piston.

Lubrication

The DGO has been lubricated during assembly. Additional lubrication is required every 120 miles of linear travel. The required lubricant is Festo GEL, available in a 14.5 ounce cartridge for grease guns. Part No. 13000257.

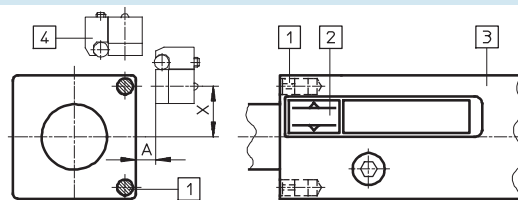


— Horizontal mounting position
 - - - - Vertical mounting position

Contactless position sensing

Mounting the proximity sensors SMEO-/SMTO-/SMPO-1

Installation of proximity sensors, Types SMEO, SMTO and SMPO for sensing end and intermediate positions. Proximity sensors are mounted by the user near the rodless cylinder (1/4 in / 6 mm diameter rod may be used). Sensing is possible only in the indicated area of the outer yoke [2]. If sensing distance A is too small, multiple sensing may result.



- 1 Switching magnet for proximity sensor
- 2 Switching range
- 3 Outer slide 360° rotatable
- 4 Proximity sensor with mounting kit SMB-1

Switching distances, switching travel and hysteresis [in]

Proximity sensors	A	X						Switching travel	Hysteresis
		DGO-1/2-...	DGO-5/8-...	DGO-3/4-...	DGO-1-...	DGO-1-1/4-...	DGO-1-5/8-...		
SMEO-1, SMTO-1	0.24 ... 0.31	0.40... 0.43	0.51 ... 0.55	0.63 ... 0.67	0.79 ... 0.83	0.98... 1.02	1.26 ... 1.30	0.30 ... 0.51	0.04 ... 0.18
SMPO-1-H-B	0.20... 0.24							0.28... 0.59	0.02 ... 0.10

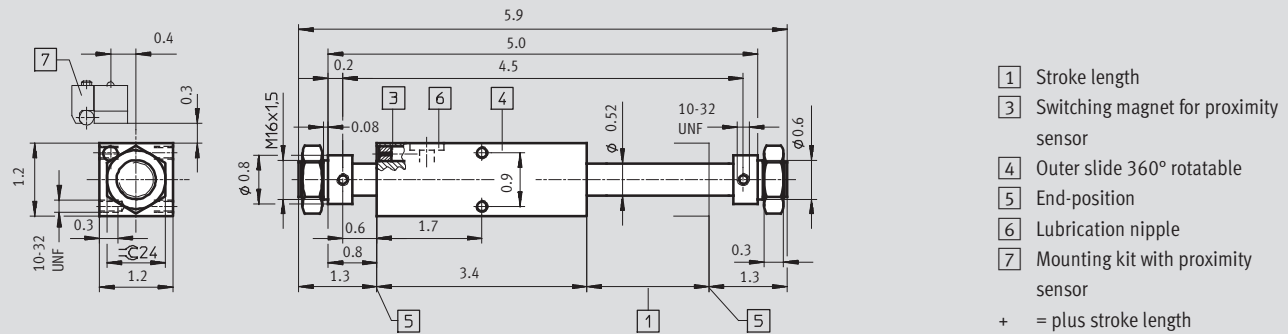
Rodless cylinders DGO - Inch Series

Technical data

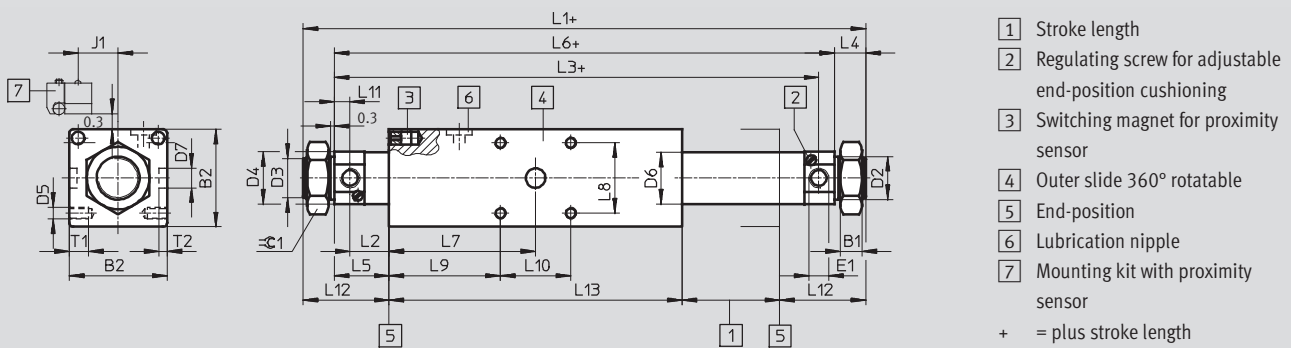


Dimensions

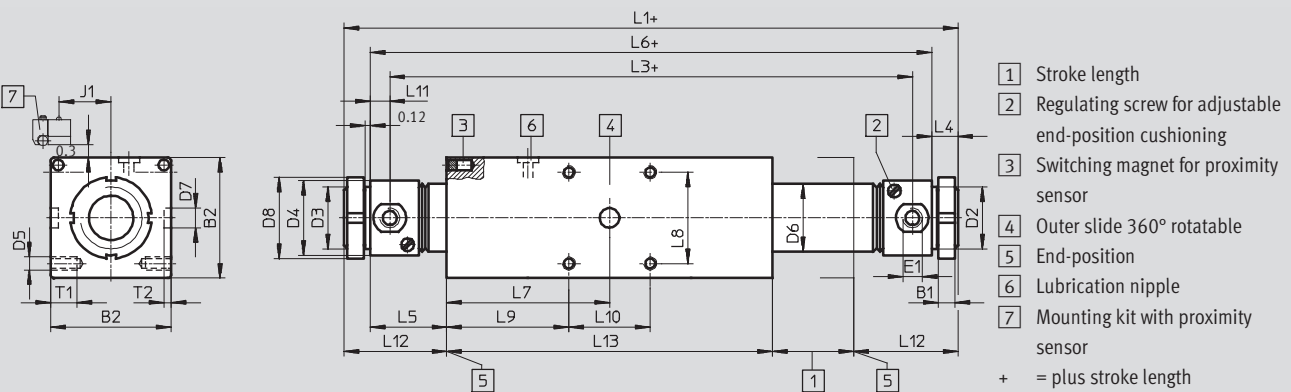
Piston $\varnothing 1/2$ inch



Piston $\varnothing 5/8... 1$ inch



Piston $\varnothing 1-1/4... 1-5/8$ inch



Dimensions are in inches, unless otherwise noted.

Rodless cylinders DGO - Inch Series

Technical data



Dimensions									
∅	B1	B2	D2 ∅	D3	D4 ∅	D5	D6 ∅	D7 ∅	D8 ∅
[in]									
5/8	0.31	1.4	0.6	M16x1.5	0.8	10-24 UNC	0.69	0.3	–
3/4	0.43	1.7	0.9	M22x1.5	1.1	10-24 UNC	0.84	0.3	–
1	0.43	2.0	0.9	M22x1.5	1.1	1/4-20 UNC	1.04	0.4	–
1-1/4	0.31	2.4	1.2	M30x1.5	1.5	1/4-20 UNC	1.32	0.4	1.7
1-5/8	0.39	2.9	1.5	M38x1.5	1.8	5/16-18 UNC	1.68	0.5	2.0

∅	E1	J1	L1	L2	L3	L4	L5	L6	L7
[in]									
5/8	10-32 UNF	0.53	8.1	0.5	5.9	0.5	1.1	7.1	2.5
3/4	1/8" NPT	0.65	8.5	0.6	6.7	0.6	1.0	7.3	2.7
1	1/8" NPT ¹⁾	0.81	9.4	0.8	7.5	0.6	1.1	8.1	3.0
1-1/4	1/8" NPT	1.00	10.6	0.9	8.6	0.6	1.3	9.4	3.3
1-5/8	1/4" NPT	1.26	12.9	1.4	10.7	0.6	1.9	11.6	3.9

∅	L8	L9	L10	L11	L12	L13	T1	T2	≈G1 [mm]
[in]									
5/8	1.0	1.9	1.0	0.6	1.6	4.9	0.3	0.2	24
3/4	1.3	2.0	1.3	0.3	1.6	5.3	0.4	0.1	32
1	1.4	2.2	1.4	0.3	1.7	5.9	0.4	0.2	32
1-1/4	1.9	2.4	1.9	0.4	1.9	6.7	0.5	0.2	–
1-5/8	2.2	3.0	2.0	0.5	2.5	7.9	0.6	0.2	–

1) Max. screw-in depth 0.28 inch.

Dimensions are in inches, unless otherwise noted.

Rodless cylinders DGO - Inch Series



Ordering Data

M Mandatory data

Function	Piston Ø	Stroke	Cushioning	Magnet for position sensing
DGO	1/2 5/8 3/4 1 1 1/4 1 5/8	0.4 ... 157	P PPV	A
DGO	- 1	- 100	- PPV	- A

Ordering table

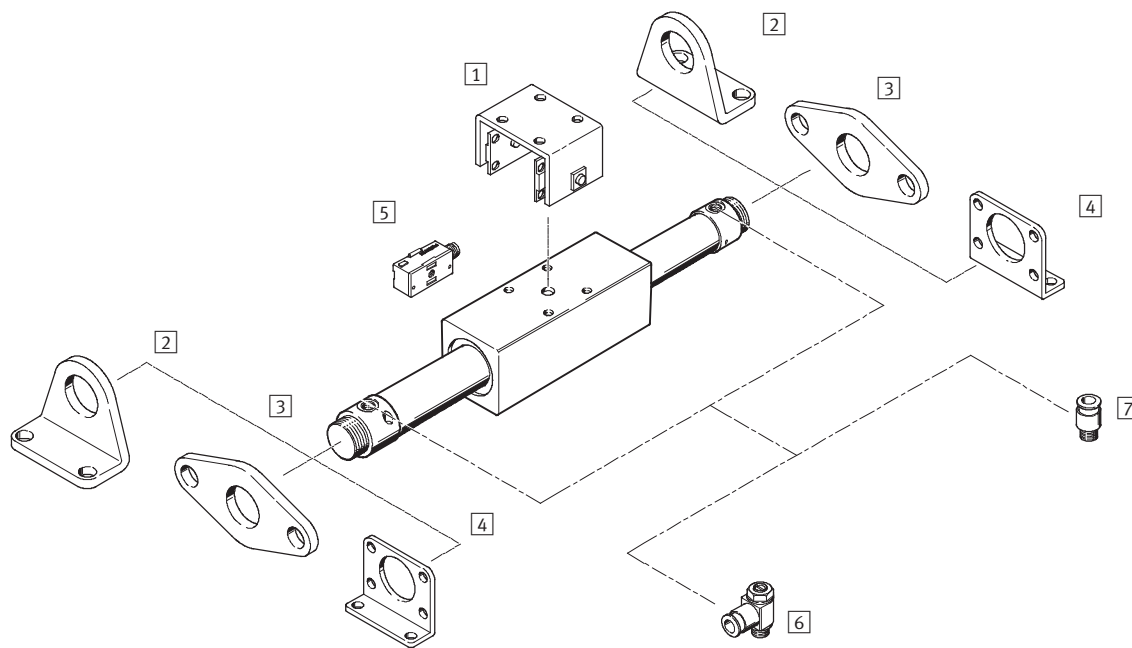
Size	1/2	5/8	3/4	1	1 1/4	1 5/8	Code	Enter code	
M Function	Standard cylinder, single-acting pushing						DGO		DGO
Piston Ø [in]	1/2	5/8	3/4	1	1 1/4	1 5/8	-...		
Stroke [in]	0.4 ... 47	0.4 ... 98	0.4 ... 118	0.4 ... 137	0.4 ... 157		-...		
Cushioning [in]	Flexible cushioning rings at both ends	-	-	-	-	-	-P		
	-	Adjustable air cushioning at both ends					-PPV		
Magnet for position sensing	For use with magnetic proximity sensors						-A		-A

Transfer order code

DGO	-		-		-		-	A
------------	---	--	---	--	---	--	---	----------

Rodless cylinders DGO - Inch Series

Accessories overview



Mounting attachments and accessories		Description
1	Moment compensator FKG	To compensate misalignments and eliminate tilting moments
2	Foot mounting HBN	On end caps for piston \varnothing 1/2 ... 1 inch
3	Flange mounting FBN	On end caps for piston \varnothing 1/2 ... 1 inch
4	Flange mounting FBN	On end caps for piston \varnothing 1-1/4 ... 1-5/8 inch
5	Proximity sensors SMEO-/SMTO-/SMPO-1	For contactless position sensing, mountable externally via a mounting kit
6	One-way flow control valve GRLA	To regulate speed
7	Push-in fitting QS	For connecting compressed air tubing with standard external diameters

Rodless cylinders DGO - Inch Series

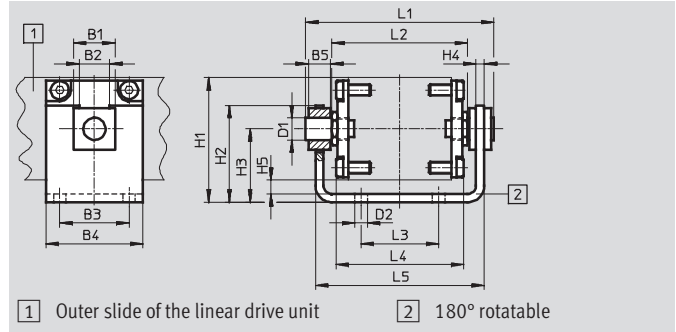


Accessories

Moment compensator FKG

for piston \varnothing 5/8 ... 1-5/8 inch

The yoke mounting bracket prevents moment arm torque on the yoke by transferring the torque force to the centerline of the yoke. This greatly reduces the force lost to bearing friction and compensates for non-parallel alignment.



Maximum permissible misalignment of parallel guide in longitudinal axis of cylinder = 0.04 inch.

Includes: 1 moment compensator and 8 mounting screws

Material: Galvanized steel

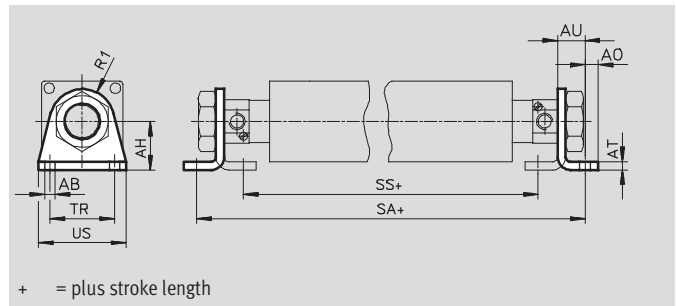
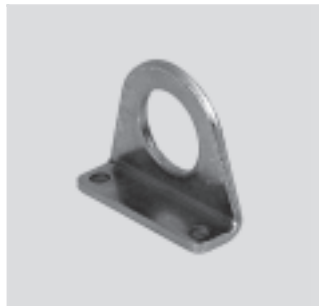
Dimensions and ordering data																					
For \varnothing [in]	B1	B2	B3	B4	B5	D1 \varnothing	D2 \varnothing	H1	H2	H3	H4	H5	L1	L2	L3	L4	L5	CRC ¹⁾	Weight [oz]	Part No.	Type
5/8	0.7	0.6	1.0	1.6	0.3	0.4	0.22	1.9	1.6	1.1	0.2	0.3	2.9	2.1	1.0	1.9	2.7	2	9.07	15233	FKG-16-B
3/4	0.7	0.6	1.3	1.7	0.3	0.4	0.22	2.1	1.7	1.3	0.2	0.3	3.2	2.4	1.3	2.2	3.0	2	10.65	33339	FKG-20-B
1	0.9	0.6	1.4	2.0	0.5	0.5	0.26	2.5	2.0	1.5	0.2	0.3	3.9	2.8	1.4	2.5	3.5	2	18.02	15234	FKG-25-B
1-1/4	0.9	0.6	1.9	2.4	0.5	0.5	0.26	2.9	2.2	1.7	0.2	0.3	4.3	3.1	1.9	2.9	3.9	2	23.88	33340	FKG-32-B
1-5/8	1.2	0.9	2.0	2.8	0.6	0.6	0.35	3.5	2.8	2.1	0.2	0.4	5.3	3.9	2.2	3.6	4.8	2	45.04	15235	FKG-40-B

1) Corrosion resistance class 2 according to Festo standard 940 070
Components with moderate corrosion resistance for use in normal industrial environments subjected to contact with coolants or lubricating agents.

Foot mounting HBN

for piston \varnothing 1/2 ... 1 inch

Material:
Galvanized steel
Free of copper, PTFE and silicone



Dimensions and ordering data														
For \varnothing [in]	AB \varnothing	AH	AO	AT	AU	R1	SA	SS	TR	US	CRC ¹⁾	Weight [oz]	Part No.	Type
1/2	0.22	0.8	0.2	0.2	0.6	0.5	6.0	4.1	1.3	1.7	2	1.41	5125	HBN-12/16x1
5/8	0.22	1.1	0.2	0.2	0.6	0.5	8.2	6.3	1.3	1.7	2	1.76	6062	HBN-12/16x1-A
3/4	0.26	1.2	0.3	0.2	0.7	0.8	8.6	6.3	1.6	2.1	2	3.53	6064	HBN-20/25x1-A
1	0.26	0.9	0.3	0.2	0.7	0.8	9.4	7.2	1.6	2.1	2	3.53	6064	HBN-20/25x1-A

1) Corrosion resistance class 2 according to Festo standard 940 070
Components with moderate corrosion resistance for use in normal industrial environments subjected to contact with coolants or lubricating agents.

Dimensions are in inches, unless otherwise noted.

Rodless cylinders DGO - Inch Series



Accessories

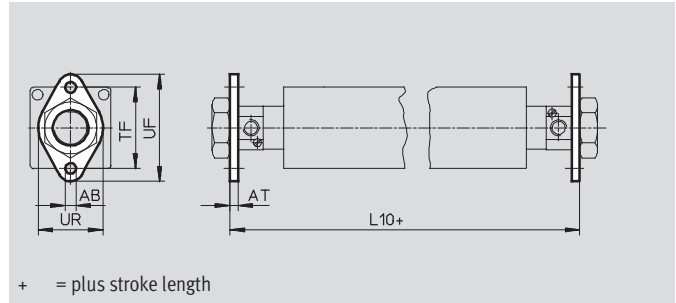
Flange mounting FBN

for piston \varnothing 1/2 ... 1 inch

Material:

Galvanized steel

Free of copper, PTFE and silicone



Dimensions and ordering data

For \varnothing [in]	AB \varnothing	AT	L10	TF	UF	UR	US	CRC ¹⁾	Weight [oz]	Part No.	Type
1/2	0.22	0.2	5.2	1.6	2.1	1.2	1.7	2	0.88	5130	FBN-12/16
5/8	0.22	0.2	7.4	1.6	2.1	1.2	1.7	2	0.88	5130	FBN-12/16
3/4	0.26	0.2	7.4	2.0	2.6	1.6	2.1	2	1.59	5131	FBN-20/25
1	0.26	0.2	8.5	2.0	2.6	1.6	2.1	2	1.59	5131	FBN-20/25

1) Corrosion resistance class 2 according to Festo standard 940 070

Components with moderate corrosion resistance for use in normal industrial environments subjected to contact with coolants or lubricating agents.

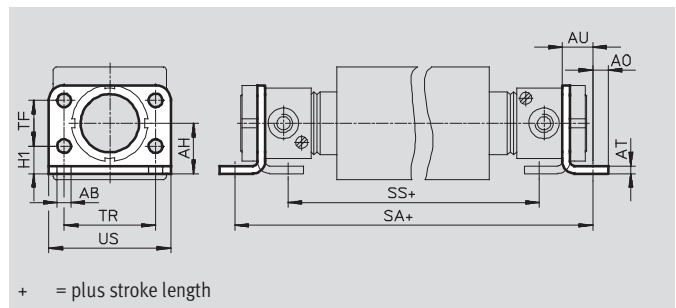
Flange mounting FBN

for piston \varnothing 1-1/4 ... 1-5/8 inch

Material:

Galvanized steel

Free of copper, PTFE and silicone



Dimensions and ordering data

For \varnothing [in]	AB \varnothing	AH	AO	AT	AU	H1	SA	SS	TF	TR	US	CRC ¹⁾	Weight [oz]	Part No.	Type
1-1/4	0.3	1.1	0.3	0.2	0.6	0.6	10.5	8.6	1.1	2.0	2.6	2	3.6	195855	FBN-32
1-5/8	0.4	1.3	0.4	0.2	0.7	0.7	13.2	10.4	1.2	2.4	3.1	2	6.7	195856	FBN-40

1) Corrosion resistance class 2 according to Festo standard 940 070

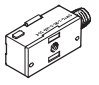
Components with moderate corrosion resistance for use in normal industrial environments subjected to contact with coolants or lubricating agents.


Dimensions are in inches, unless otherwise noted.

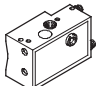
Rodless cylinders DGO - Inch Series

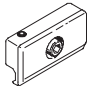
Accessories



FESTO

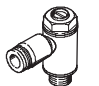
Ordering data – Block-shape proximity sensor, magneto-resistive, NO contact							
	Mounting	Switch output	Electrical connection		Cable length [ft]	Part No.	Type
			Cable	M8 plug			
	Via mounting kit	PNP	3-wire	–	8.2	151683	SMTO-1-PS-K-LED-24-C
			–	3-pin	–	151685	SMTO-1-PS-S-LED-24-C
		NPN	3-wire	–	8.2	151684	SMTO-1-NS-K-LED-24-C
			–	3-pin	–	151686	SMTO-1-NS-S-LED-24-C

Ordering data – Block-shape proximity sensor, magnetic reed, NO contact						
	Mounting	Electrical connection		Cable length [ft]	Part No.	Type
		Cable	M8 plug			
	Via mounting kit	3-wire	–	8.2	30459	SMEO-1-LED-24-B
		3-wire	–	16.4	151672	SMEO-1-LED-24-K5-B
		–	3-pin	–	150848	SMEO-1-S-LED-24-B

Ordering data – Block-shape proximity sensor, pneumatic						
	Mounting	Pneumatic connection			Part No.	Type
3/2-way valve, normally closed						
	Via mounting kit	Barbed fitting for 1/8 inch tubing ID			31008	SMPO-1-H-B

Ordering data – Mounting kit						
	Mounting				Part No.	Type
		For cylinder with tie rod \varnothing 1/4 inch or DUO rail mounting profile			11886	SMB-1

Ordering data – Plug sockets							
	Mounting	Switch output		Connection	Cable length [ft]	Part No.	Type
		PNP	NPN				
Straight socket							
	M8 union nut	■	■	3-pin	8.2	159420	SIM-M8-3GD-2.5-PU
					16.4	159421	SIM-M8-3GD-5-PU
Angled socket							
	M8 union nut	■	■	3-pin	8.2	159422	SIM-M8-3WD-2.5-PU
					16.4	159423	SIM-M8-3WD-5-PU

Ordering data – One-way flow control valves						
	Connection			Part No.	Type	
	Thread	For tubing OD				
	10-32 UNF	3/16"		151573	GRLA-10-UNF-3/16-B	
		1/4"		151574	GRLA-10-UNF-1/4-B	
	1/8" NPT	5/32"		165009	GRLA-1/8-NPT-QS-5/32-U	
		3/16"		190941	GRLA-1/8-NPT-QS-3/16-U	
		1/4"		165010	GRLA-1/8-NPT-QS-1/4-U	
		5/16"		165013	GRLA-1/8-NPT-QS-5/16-U	
		3/16"		190944	GRLA-1/4-NPT-QS-3/16-U	
	1/4" NPT	1/4"		165011	GRLA-1/4-NPT-QS-1/4-U	
		5/16"		165014	GRLA-1/4-NPT-QS-5/16-U	
		3/8"		190947	GRLA-1/4-NPT-QS-3/8-U	

Product Range and Company Overview

A Complete Suite of Automation Services

Our experienced engineers provide complete support at every stage of your development process, including: conceptualization, analysis, engineering, design, assembly, documentation, validation, and production.



Custom Automation Components
Complete custom engineered solutions



Custom Control Cabinets
Comprehensive engineering support and on-site services



Complete Systems
Shipment, stocking and storage services

The Broadest Range of Automation Components

With a comprehensive line of more than 30,000 automation components, Festo is capable of solving the most complex automation requirements.



Electromechanical
Electromechanical actuators, motors, controllers & drives



Pneumatics
Pneumatic linear and rotary actuators, valves, and air supply



PLCs and I/O Devices
PLC's, operator interfaces, sensors and I/O devices

Supporting Advanced Automation... As No One Else Can!

Festo is a leading global manufacturer of pneumatic and electromechanical systems, components and controls for industrial automation, with more than 12,000 employees in 56 national headquarters serving more than 180 countries. For more than 80 years, Festo has continuously elevated the state of manufacturing with innovations and optimized motion control solutions that deliver higher performing, more profitable automated manufacturing and processing equipment. Our dedication to the advancement of automation extends beyond technology to the education and development of current and future automation and robotics designers with simulation tools, teaching programs, and on-site services.

Quality Assurance, ISO 9001 and ISO 14001 Certifications

Festo Corporation is committed to supply all Festo products and services that will meet or exceed our customers' requirements in product quality, delivery, customer service and satisfaction.

To meet this commitment, we strive to ensure a consistent, integrated, and systematic approach to management that will meet or exceed the requirements of the ISO 9001 standard for Quality Management and the ISO 14001 standard for Environmental Management.



© Copyright 2008, Festo Corporation. While every effort is made to ensure that all dimensions and specifications are correct, Festo cannot guarantee that publications are completely free of any error, in particular typing or printing errors. Accordingly, Festo cannot be held responsible for the same. For Liability and Warranty conditions, refer to our "Terms and Conditions of Sale", available from your local Festo office. All rights reserved. No part of this publication may be reproduced, distributed, or transmitted in any form or by any means, electronic, mechanical, photocopying or otherwise, without the prior written permission of Festo. All technical data subject to change according to technical update.



Printed on recycled paper at New Horizon Graphic, Inc., FSC certified as an environmentally friendly printing plant.

Festo North America

Festo Regional Contact Center

5300 Explorer Drive
Mississauga, Ontario L4W 5G4
Canada

USA Customers:

For ordering assistance,
Call: 1.800.99.FESTO (1.800.993.3786)
Fax: 1.800.96.FESTO (1.800.963.3786)
Email: customer.service@us.festo.com

For technical support,
Call: 1.866.GO.FESTO (1.866.463.3786)
Fax: 1.800.96.FESTO (1.800.963.3786)
Email: product.support@us.festo.com

Canadian Customers:

Call: 1.877.GO.FESTO (1.877.463.3786)
Fax: 1.877.FX.FESTO (1.877.393.3786)
Email: festo.canada@ca.festo.com

USA Headquarters

Festo Corporation
395 Moreland Road
P.O. Box 18023
Hauppauge, NY 11788, USA
www.festo.com/us

USA Sales Offices

Appleton

North 922 Tower View Drive, Suite N
Greenville, WI 54942, USA

Boston

120 Presidential Way, Suite 330
Woburn, MA 01801, USA

Chicago

1441 East Business Center Drive
Mt. Prospect, IL 60056, USA

Dallas

1825 Lakeway Drive, Suite 600
Lewisville, TX 75057, USA

Detroit – Automotive Engineering Center

2601 Cambridge Court, Suite 320
Auburn Hills, MI 48326, USA

New York

395 Moreland Road
Hauppauge, NY 11788, USA

Silicon Valley

4935 Southfront Road, Suite F
Livermore, CA 94550, USA

United States



USA Headquarters, East: Festo Corp., 395 Moreland Road, Hauppauge, NY 11788
Phone: 1.631.435.0800; Fax: 1.631.435.8026;
Email: info@festo-usa.com www.festo.com/us

Canada



Headquarters: Festo Inc., 5300 Explorer Drive, Mississauga, Ontario L4W 5G4
Phone: 1.905.624.9000; Fax: 1.905.624.9001;
Email: festo.canada@ca.festo.com www.festo.ca

Mexico



Headquarters: Festo Pneumatic, S.A., Av. Ceylán 3, Col. Tequesquahuac,
54020 Tlalnequahuac, Edo. de México
Phone: 011 52 [55] 53 21 66 00; Fax: 011 52 [55] 53 21 66 65;
Email: festo.mexico@mx.festo.com www.festo.com/mx

Central USA

Festo Corporation
1441 East Business
Center Drive
Mt. Prospect, IL 60056, USA
Phone: 1.847.759.2600
Fax: 1.847.768.9480



Western USA

Festo Corporation
4935 Southfront Road,
Suite F
Livermore, CA 94550, USA
Phone: 1.925.371.1099
Fax: 1.925.245.1286



Festo Worldwide

Argentina Australia Austria Belarus Belgium Brazil Bulgaria Canada Chile China Colombia Croatia Czech Republic Denmark
Estonia Finland France Germany Great Britain Greece Hong Kong Hungary India Indonesia Iran Ireland Israel Italy Japan Latvia
Lithuania Malaysia Mexico Netherlands New Zealand Norway Peru Philippines Poland Romania Russia Serbia Singapore
Slovakia Slovenia South Africa South Korea Spain Sweden Switzerland Taiwan Thailand Turkey Ukraine United States Venezuela

www.festo.com