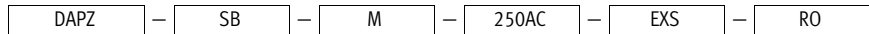


Limit switch attachments



Limit switch attachments DAPZ

Type codes



Type	
DAPZ	Limit switch attachment

Specification	
SB	Sensor box

Measuring principle	
I	Inductive
M	Electrical, micro switch

Operating voltage	
25DC	8 V DC
30DC	30 V DC
250AC	250 V AC/DC

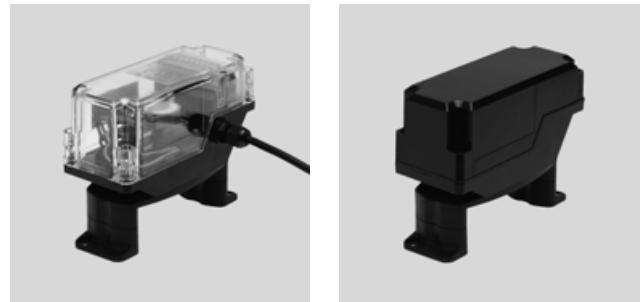
Version	
EX	Explosion-proof
D	Display
S	Square design
R	Round design
A	AS-interface connection
M	Solenoid plug

Variant	
RO	Foot height fixed
AR	Foot height adjustable

Limit switch attachments DAPZ, square design

Technical data

- Drive interface to Namur
VDI/VDE 3845
- Quick and easy assembly
and connection
- Integrated solenoid valve actuation
- DAPZ-SB-I-... with AS-interface



General technical data			DAPZ-SB-M-250AC-DSM-RO	DAPZ-SB-M-250AC-EXS-RO	DAPZ-SB-I-30DC-DSAM-RO
Measuring principle			Mechanical, electrical	Mechanical, electrical	Inductive
Based on standard			EN 60947-5-1	EN 60947-5-1	EN 60947-5-6
			VDI/VDE 3845 (NAMUR)		
Design			Square		
Mounting position			Any		
Protection against short circuit			No	No	Yes
Switching element function			Changeover switch	Changeover switch	Normally closed contact
Protection against reverse polarity			No	No	For all electrical connections
Switching position display			No	No	No
Operating voltage range		Direct current DC [V]	0 ... 250	0 ... 250	–
		Alternating current AC [V]	0 ... 250	0 ... 250	–
Nominal operating voltage DC		[V]	–	–	30
Insulation voltage		[V]	250	250	50
Surge capacity		[kV]	4	4	0.8
Max. output current		[mA]	16,000	4,000	–
Electrical connection			Screw terminal		–
Fieldbus interface			–		AS-interface: flat cable plug
Permissible cable diameter		[mm]	8 ... 13		–
Cable connector			M20x1.5		–

Operating and environmental conditions			DAPZ-SB-M-250AC-DSM-RO	DAPZ-SB-M-250AC-EXS-RO	DAPZ-SB-I-30DC-DSAM-RO
Ambient temperature		[°C]	–20 ... +85 °C	–20 ... +60 °C	–20 ... +85 °C
Protection class			IP65		
CE marking (see declaration of conformity)			To EU Low Voltage Directive	To EU Explosion Protection Directive (ATEX)	–
ATEX category for gas			–	II 2G	–
Explosion ignition protection type for gas			–	Ex d e IIC T6 Gb	–
Explosion-proof temperature rating			–	–20 °C ≤ Ta ≤ +60 °C	–
Certificate issuing authority			–	PTB 05 ATEX 1087	–
Explosion protection certification outside the EU			–	EPL Gb (RU)	–
			–	EPL Gc (RU)	–
Degree of contamination			3		
Corrosion resistance class CRC ¹⁾			2		

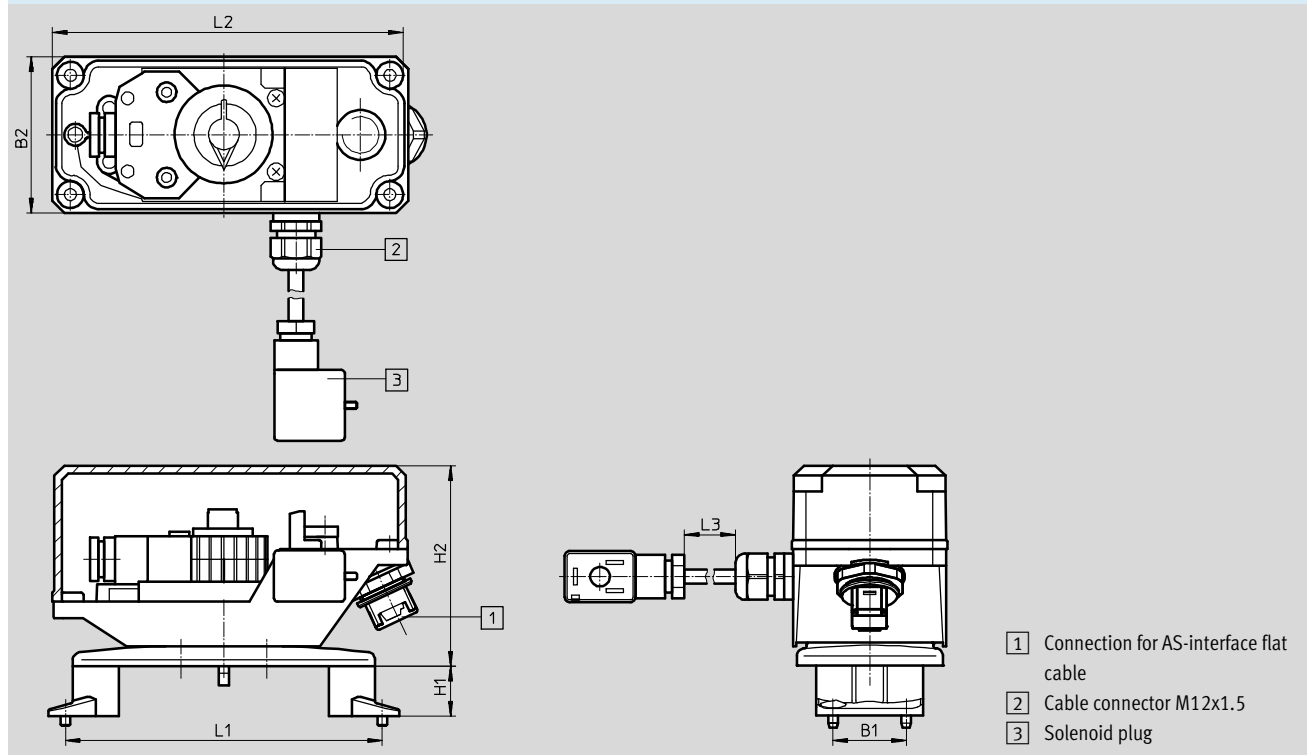
1) Corrosion resistance class 2 according to Festo standard 940 070
Components subject to moderate corrosion stress. Externally visible parts with primarily decorative surface requirements which are in direct contact with a normal industrial environment or media such as coolants or lubricating agents.

Limit switch attachments DAPZ, square design

Technical data

Materials	DAPZ-SB-M-250AC-DSM-RO	DAPZ-SB-M-250AC-EXS-RO	DAPZ-SB-I-30DC-DSAM-RO
1 Housing cover	PC	PA	PC
2 Housing socket, bracket	PA	PA	PA
3 Seals	EPDM		
- Note on materials	RoHS-compliant		

Dimensions – DAPZ-SB-I-30 V/DC... Download CAD data → www.festo.com



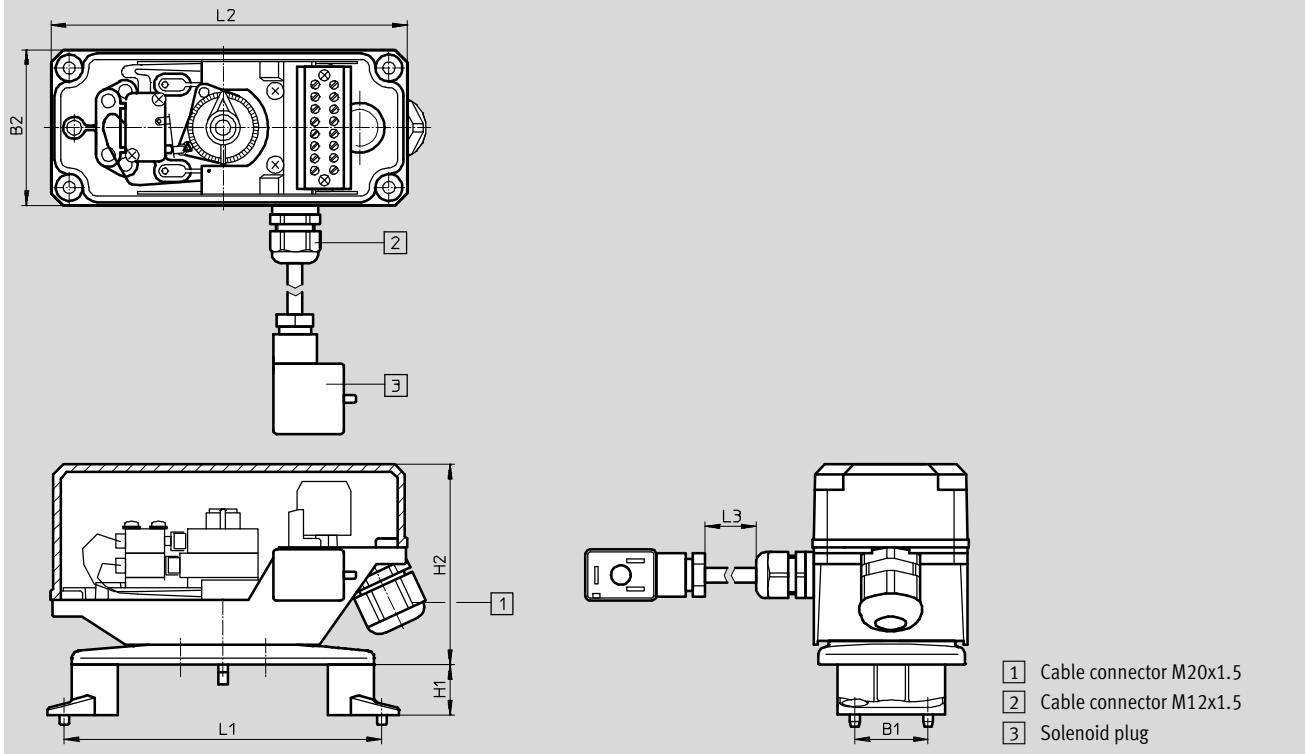
	B1	B2±2	H1	H2±3	L1	L2±2	L3±10
Feet mounted inwards							
Foot 20	30	63	20.5	80	80	145	300
Foot 30	30	63	30.5	80	80	145	300
Foot 50 (order accessories separately)	30	63	50.5	80	80	145	300
Feet mounted outwards							
Foot 20	30	63	20.5	80	130	145	300
Foot 30	30	63	30.5	80	130	145	300
Foot 50 (order accessories separately)	30	63	50.5	80	130	145	300
Mounting via adapter (order accessories separately) → 11							
DAPZ-SBZ-K0-RO	25±0.3	63	20.5	80	50±0.3	145	300
DAPZ-SBZ-K3-RO	30±0.3	63	30.5	80	150±0.3	145	300

Limit switch attachments DAPZ, square design

Technical data

Dimensions – DAPZ-SB-M-250 V/AC-...

Download CAD data → www.festo.com



	B1	B2±2	H1	H2±3	L1	L2±2	L3±10
Feet mounted inwards							
Foot 20	30	63	20.5	80	80	145	300
Foot 30	30	63	30.5	80	80	145	300
Foot 50 (order accessories separately)	30	63	50.5	80	80	145	300
Feet mounted outwards							
Foot 20	30	63	20.5	80	130	145	300
Foot 30	30	63	30.5	80	130	145	300
Foot 50 (order accessories separately)	30	63	50.5	80	130	145	300
Mounting via adapter (order accessories separately) → 11							
DAPZ-SBZ-K0-RO	25±0.3	63	20.5	80	50±0.3	145	300
DAPZ-SBZ-K3-RO	30±0.3	63	30.5	80	150±0.3	145	300

Ordering data				
Sensing type	Variant	Measuring principle	Part No.	Type
Mechanical	Basic version	Mechanical, electrical	534468	DAPZ-SB-M-250AC-DSM-RO
Mechanical	Explosion-proof	Mechanical, electrical	534470	DAPZ-SB-M-250AC-EXS-RO
Contactless	Basic version	Inductive	534473	DAPZ-SB-I-30DC-DSAM-RO

Limit switch attachments DAPZ, round design, variant RO

FESTO

Technical data

- Drive interface to Namur VDI/VDE 3845
- Quick and easy assembly and connection
- Integrated solenoid valve actuation



General technical data	DAPZ-SB-M-250AC-DR-RO	DAPZ-SB-I-30DC-DR-RO	DAPZ-SB-I-25DC-R-RO
Measuring principle	Mechanical, electrical	Inductive	Inductive
Based on standard	EN 60947-5-1 VDI/VDE 3845 (NAMUR)	EN 60947-5-2	EN 60947-5-6
Design	Round		
Mounting position	Any		
Protection against short circuit	No	Pulsed	Yes
Switching element function	Changeover switch	Normally open contact	Normally closed contact
Protection against reverse polarity	No	For all electrical connections	For all electrical connections
Switching position display	Yes	Yes	No
Switching output	–	PNP	Namur
Operating voltage range	Direct current DC [V]	0 ... 250	10 ... 30
	Alternating current AC [V]	0 ... 250	–
Nominal operating voltage DC [V]	–	–	8
Insulation voltage [V]	250	50	25
Surge capacity [kV]	4	0.8	0.5
Max. output current [mA]	9,000	200	–
Switching current [mA]	Attenuated	–	≤1
	Non-attenuated	–	≥3
Electrical connection	Screw terminal	Screw terminal, plug-in	Screw terminal, plug-in
Permissible cable diameter [mm]	8 ... 13		
Cable connector	M20x1.5		

Operating and environmental conditions	DAPZ-SB-M-250AC-DR-RO	DAPZ-SB-I-30DC-DR-RO	DAPZ-SB-I-25DC-R-RO
Ambient temperature [°C]	–20 ... +85 °C	–25 ... +70 °C	–25 ... +70 °C
Protection class	IP65		
CE marking (see declaration of conformity)	To EU Low Voltage Directive	–	To EU Explosion Protection Directive (ATEX)
ATEX category for gas	–	–	II 2G
Explosion ignition protection type for gas	–	–	EEx ia IIC T6
Explosion-proof temperature rating	–	–	–25 °C ≤ Ta ≤ +70 °C
Certificate issuing authority	–	–	TÜV 99 ATEX 1479 X
Degree of contamination	3		
Corrosion resistance class CRC ¹⁾	2		

1) Corrosion resistance class 2 according to Festo standard 940 070

Components subject to moderate corrosion stress. Externally visible parts with primarily decorative surface requirements which are in direct contact with a normal industrial environment or media such as coolants or lubricating agents.

Materials	DAPZ-SB-M-250AC-DR-RO	DAPZ-SB-I-30DC-DR-RO	DAPZ-SB-I-25DC-R-RO
1 Housing cover	PC	PC	PA
2 Housing socket, bracket	PA	PA	PA
3 Seals	EPDM		
– Note on materials	RoHS-compliant		

Limit switch attachments DAPZ, round design, variant RO

Technical data

Dimensions Download CAD data → www.festo.com

Basic version

2 Cable connector M20x1.5

Explosion-proof version

2 Cable connector M20x1.5

	B1	B2± ₁	H1	H2± ₂	H3± ₂	L1	L2± ₂
Feet mounted inwards							
Foot 20	30	80	20.5	97	75	80	122
Foot 30	30	80	30.5	97	75	80	122
Foot 50 (order accessories separately)	30	80	50.5	97	75	80	122
Feet mounted outwards							
Foot 20	30	80	20.5	97	75	130	122
Foot 30	30	80	30.5	97	75	130	122
Foot 50 (order accessories separately)	30	80	50.5	97	75	130	122
Mounting via adapter (order accessories separately) → 11							
DAPZ-SBZ-K0-RO	25± _{0.3}	80	20.5	97	75	50± _{0.3}	122
DAPZ-SBZ-K3-RO	30± _{0.3}	80	30.5	97	75	150± _{0.3}	122

Ordering data				
Sensing type	Variant	Measuring principle	Part No.	Type
Mechanical	Basic version	Mechanical, electrical	534469	DAPZ-SB-M-250AC-DR-RO
Contactless	Basic version	Inductive	534471	DAPZ-SB-I-30DC-DR-RO
Contactless	Explosion-proof	Inductive	534472	DAPZ-SB-I-25DC-R-RO

Limit switch attachments DAPZ, round design, variant AR

Technical data

- Drive interface to Namur VDI/VDE 3845
- Quick and easy assembly and connection
- Integrated solenoid valve actuation



General technical data		DAPZ-SB-M-250AC-DR-AR	DAPZ-SB-I-30DC-DR-AR	DAPZ-SB-I-25DC-EXDR-AR
Measuring principle		Mechanical, electrical	Inductive	Inductive
Based on standard		EN 60947-5-1 VDI/VDE 3845 (NAMUR)	EN 60947-5-2	EN 60947-5-6
Design		Round		
Mounting position		Any		
Protection against short circuit		No	Pulsed	No
Switching element function		Changeover switch	Normally open contact	Normally closed contact
Protection against reverse polarity		No	For all electrical connections	No
Switching position display		Yes		
Switching output		–	PNP	Namur
Operating voltage range	Direct current DC [V]	4 ... 250	10 ... 30	–
	Alternating current AC [V]	4 ... 250	–	–
Intrinsic current consumption at operating voltage [mA]		1 ... 5	0 ... 100	–
Nominal operating voltage DC [V]		–	–	8
Max. input power Pi [mW]		–	–	34
Max. input voltage Ui Direct current DC [V]		–	–	16
Max. input current Ii [mA]		–	–	25
Insulation voltage [V]		250	50	25
Surge capacity [kV]		2.5	0.5	0.5
Max. output current [mA]		5,000	100	–
Switching current	Attenuated [mA]	–	–	0 ... 1
	Non-attenuated [mA]	–	–	3
Minimum load current		1 mA at 4 V/DC		
Electrical connection		Screw terminal		
Permissible cable diameter [mm]		7 ... 13		
Cable connector		M20x1.5		

Limit switch attachments DAPZ, round design, variant AR

Technical data

Operating and environmental conditions	DAPZ-SB-M-250AC-DR-AR	DAPZ-SB-I-30DC-DR-AR	DAPZ-SB-I-25DC-EXDR-AR
Ambient temperature [°C]	-20 ... +70 °C		
Protection class	IP67		
CE marking (see declaration of conformity)	To EU Low Voltage Directive	-	To EU Explosion Protection Directive (ATEX)
ATEX category for gas	-	-	II 2GX
Explosion ignition protection type for gas	-	-	EEx ia IIB T6
Explosion-proof temperature rating	-	-	-20 °C ≤ Ta ≤ +70 °C
Certificate issuing authority	-	-	PTB 00 ATEX 2032 X
Explosion protection certification outside the EU	-	-	EPL Gb (RU)
	-	-	EPL Gc (RU)
PFD	-	-	4,69E-04
PFH	-	-	1,07E-07
Degree of contamination	3		
Corrosion resistance class CRC ¹⁾	2		

1) Corrosion resistance class 2 according to Festo standard 940 070
 Components subject to moderate corrosion stress. Externally visible parts with primarily decorative surface requirements which are in direct contact with a normal industrial environment or media such as coolants or lubricating agents.

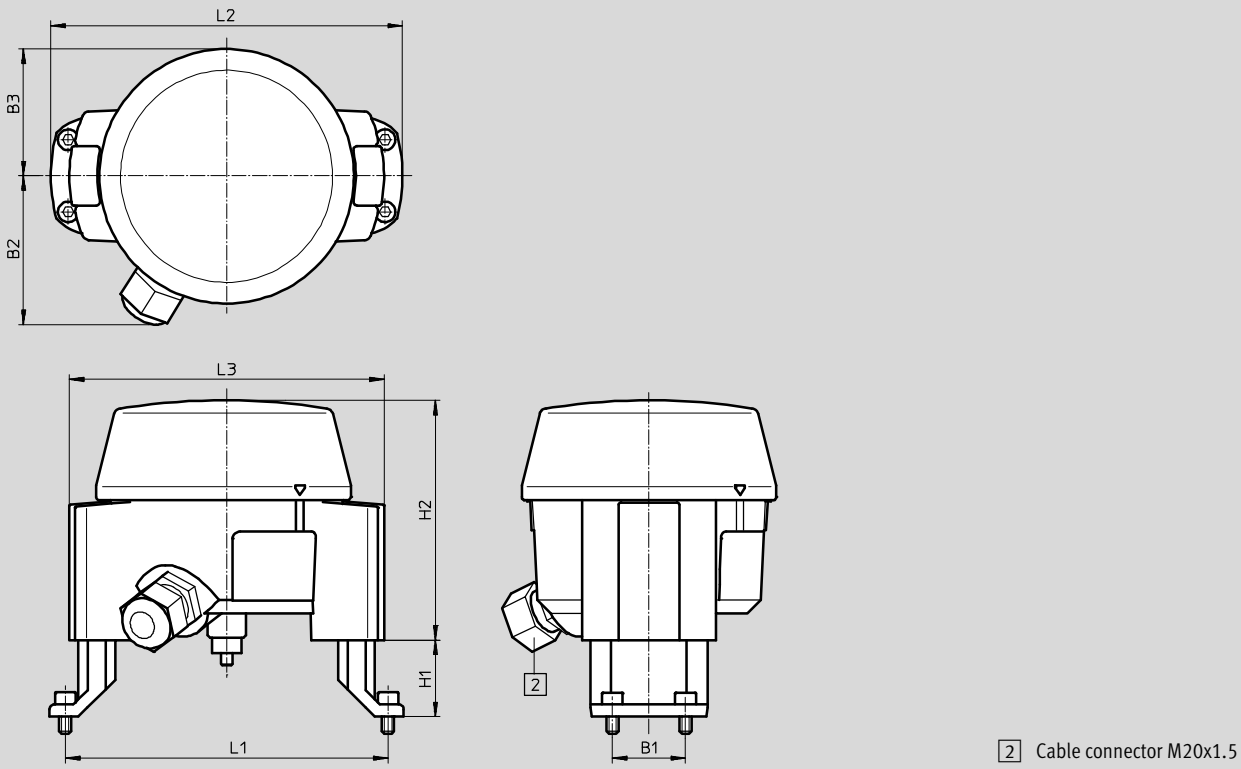
Materials	
1) Housing cover	PC
2) Housing socket, bracket	ABS, PC
3) Seals	NBR
- Note on materials	RoHS-compliant

Limit switch attachments DAPZ, round design, variant AR

Technical data

Dimensions

Download CAD data → www.festo.com

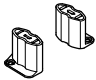
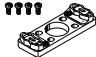
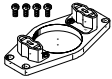

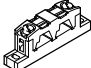
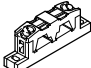
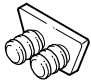

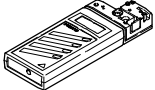
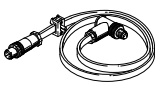


	B1	B2	B3	H1	H2	L1	L2	L3
Feet mounted inwards								
Foot height adjustable	30	62	52.5	20, 30, 50	100	80	144	130
Feet mounted outwards								
Foot height adjustable	30	62	52.5	20, 30, 50	100	130	144	130

Ordering data				
Sensing type	Variant	Measuring principle	Part No.	Type
Mechanical	Basic version	Mechanical, electrical	534474	DAPZ-SB-M-250AC-DR-AR
Contactless	Basic version	Inductive	534475	DAPZ-SB-I-30DC-DR-AR
Contactless	Explosion-proof	Inductive	534476	DAPZ-SB-I-25DC-EXDR-AR

Limit switch attachments DAPZ

Accessories

Ordering data		
	Brief description	Part No. Type
Foot		
	Kit for limit switch attachment DAPZ-...-RO Shaft height 50 mm, port pattern 130 x 30 mm	534477 DAPZ-SBZ-F50-RO
Adapter for foot mounting		
	Kit for limit switch attachment DAPZ-...-RO on the quarter turn actuator DRD/DRE sizes 1 and 2 Foot connection L50 x W25 x H20 mm	534478 DAPZ-SBZ-K0-RO
	Kit for limit switch attachment DAPZ-...-RO on the quarter turn actuator DRD/DRE sizes 375 ... 880 Foot connection L150 x W30 x H30 mm	534479 DAPZ-SBZ-K3-RO
Fieldbus connection		
	Flat cable for AS-interface components, yellow, 100 m	18940 KASI-1,5-Y-100
	Cable distributor for flat cable, cable rotatable	18786 ASI-KVT-FK
	Cable distributor for flat cable, cable symmetrical	18797 ASI-KVT-FK-S
	Cable cap for flat cable (50 included in the scope of delivery)	18787 ASI-KK-FK
	Cable sleeve (20 included in the scope of delivery)	165593 ASI-KT-FK
Miscellaneous		
	Addressing device for AS-interface stations	18959 ASI-PRG-ADR
	Addressing cable for addressing device	18960 KASI-ADR

Limit switch attachments QH-DR-E

FESTO

Technical data

Limit switch attachment

- Pneumatic



General technical data			
Measuring principle	Pneumatic ¹⁾		
Pneumatic connection	G ¹ / ₈		
Based on standard	VDI/VDE 3845 (NAMUR)		
Design	Square		
Mounting position	Any		
Protection against short circuit	-		
Switching element function	-		
Protection against reverse polarity	-		
Switching position display	No		
Switching output	-		
Operating voltage range	Direct current DC	[V]	-
	Alternating current AC	[V]	-
Insulation voltage	[V]	-	
Surge capacity	[kV]	-	
Max. output current	[mA]	-	
Electrical connection	-		
Cable diameter	[mm]	-	
Cable connector	-		

1) With stem actuated micro valve S-3-PK-3-B

Operating and environmental conditions			
Operating medium	Compressed air in accordance with ISO 8573-1:2010 [7:-:-]		
Note on operating/pilot medium	Operation with lubricated medium possible (in which case lubricated operation will always be required)		
Operating pressure	[bar]	-0.95 ... +8	
Ambient temperature	[°C]	-10 ... +60 °C	
Protection class	IP65		
CE marking (see declaration of conformity)	-		
Degree of contamination	-		
Corrosion resistance class CRC ¹⁾	2		

1) Corrosion resistance class CRC 2 to Festo standard FN 940070

Moderate corrosion stress. Indoor applications in which condensation may occur. External visible parts with primarily decorative requirements for the surface and which are in direct contact with the ambient atmosphere typical for industrial applications.

Limit switch attachments QH-DR-E

Technical data

Materials	
1	Bracket High-alloy stainless steel
2	Housing cover PC
3	Housing socket PA
4	Seals EPDM
-	Note on materials RoHS-compliant

Dimensions Download CAD data → www.festo.com

1 Pg13.5

	B1	B2	D1 Ø	H1	H2	L1	L2
QH-DR-E- ...	64	30	5.5	102	28.5	146	80

Ordering data	
Measuring principle	Part No. Type
Pneumatic with S3-PK-3-B	164855 QH-DR-E-S3-PK-3-B-B

Product Range and Company Overview

A Complete Suite and Company Overview

Our experienced engineers provide complete support at every stage of your development process, including: conceptualization, analysis, engineering, design, assembly, documentation, validation, and production.



Custom Automation Components
Complete custom engineered solutions



Custom Control Cabinets
Comprehensive engineering support and on-site services



Complete Systems
Shipment, stocking and storage services

The Broadest Range of Automation Components

With a comprehensive line of more than 30,000 automation components, Festo is capable of solving the most complex automation requirements.



Electromechanical
Electromechanical actuators, motors, controllers & drivers



Pneumatics
Pneumatic linear and rotary actuators, valves, and air supply



PLCs and I/O Devices
PLC's, operator interfaces, sensors and I/O devices

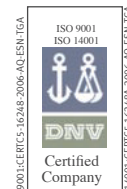
Supporting Advanced Automation... As No One Else Can!

Festo is a leading global manufacturer of pneumatic and electromechanical systems, components and controls for industrial automation, with more than 16,000 employees in 60 national headquarters serving more than 180 countries. For more than 80 years, Festo has continuously elevated the state of manufacturing with innovations and optimized motion control solutions that deliver higher performing, more profitable automated manufacturing and processing equipment. Our dedication to the advancement of automation extends beyond technology to the education and development of current and future automation and robotics designers with simulation tools, teaching programs, and on-site services.

Quality Assurance, ISO 9001 and ISO 14001 Certifications

Festo Corporation is committed to supply all Festo products and services that will meet or exceed our customers' requirements in product quality, delivery, customer service and satisfaction.

To meet this commitment, we strive to ensure a consistent, integrated, and systematic approach to management that will meet or exceed the requirements of the ISO 9001 standard for Quality Management and the ISO 14001 standard for Environmental Management.

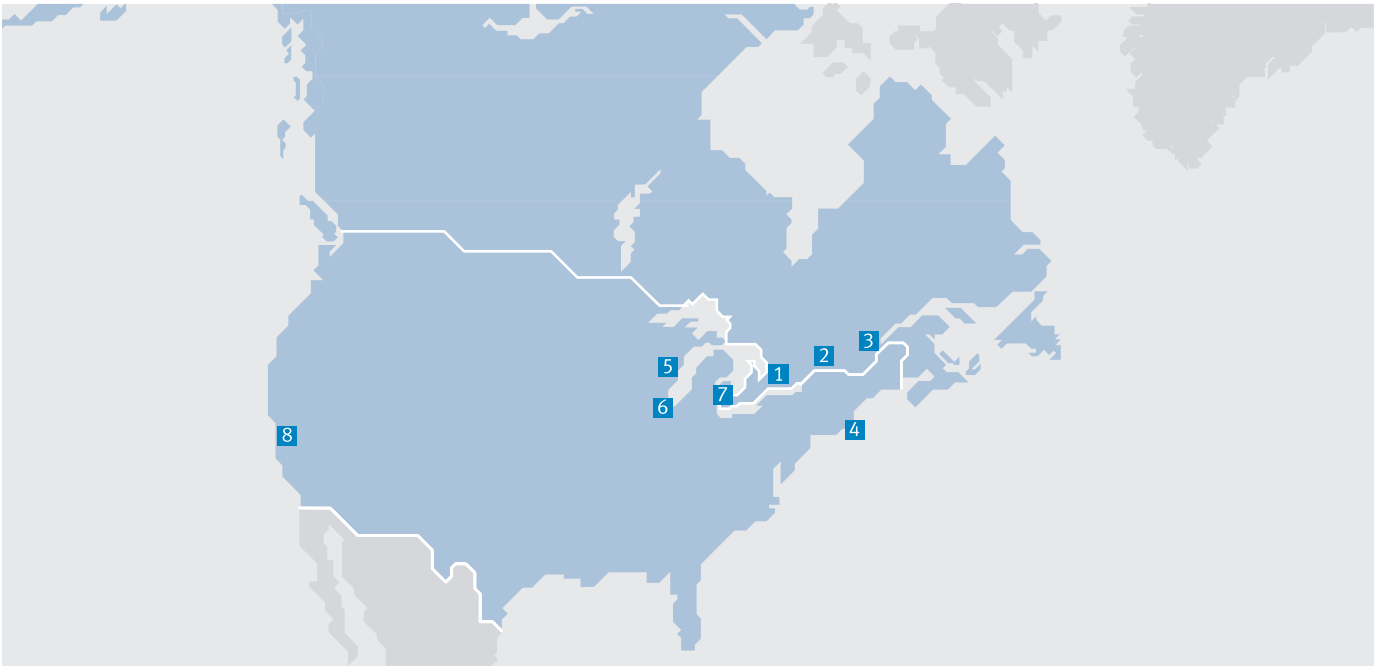


© Copyright 2013, Festo Corporation. While every effort is made to ensure that all dimensions and specifications are correct, Festo cannot guarantee that publications are completely free of any error, in particular typing or printing errors. Accordingly, Festo cannot be held responsible for the same. For Liability and Warranty conditions, refer to our "Terms and Conditions of Sale", available from your local Festo office. All rights reserved. No part of this publication may be reproduced, distributed, or transmitted in any form or by any means, electronic, mechanical, photocopying or otherwise, without the prior written permission of Festo. All technical data subject to change according to technical update.



Printed on recycled paper at New Horizon Graphic, Inc., FSC certified as an environmental friendly printing plant.

Festo North America



**1 Festo Canada
Headquarters
Festo Inc.**
5300 Explorer Drive
Mississauga, ON
L4W 5G4

2 Montréal
5600, Trans-Canada
Pointe-Claire, QC
H9R 1B6

3 Québec City
2930, rue Watt#117
Québec, QC
G1X 4G3



**4 Festo United States
Headquarters
Festo Corporation**
395 Moreland Road
Hauppauge, NY
11788

5 Appleton
North 922 Tower View Drive, Suite N
Greenville, WI
54942

7 Detroit
1441 West Long Lake Road
Troy, MI
48098

6 Chicago
85 W Algonquin - Suite 340
Arlington Heights, IL
60005

8 Silicon Valley
4935 Southfront Road, Suite F
Livermore, CA
94550

Festo Regional Contact Center

Canadian Customers

Commercial Support:
Tel: 1 877 GO FESTO (1 877 463 3786)
Fax: 1 877 FX FESTO (1 877 393 3786)
Email: festo.canada@ca.festo.com

Technical Support:
Tel: 1 866 GO FESTO (1 866 463 3786)
Fax: 1 877 FX FESTO (1 877 393 3786)
Email: technical.support@ca.festo.com

USA Customers

Commercial Support:
Tel: 1 800 99 FESTO (1 800 993 3786)
Fax: 1 800 96 FESTO (1 800 963 3786)
Email: customer.service@us.festo.com

Technical Support:
Tel: 1 866 GO FESTO (1 866 463 3786)
Fax: 1 800 96 FESTO (1 800 963 3786)
Email: product.support@us.festo.com