

## Accessories, D series

**FESTO**



# Accessories, D series

Mounting attachments



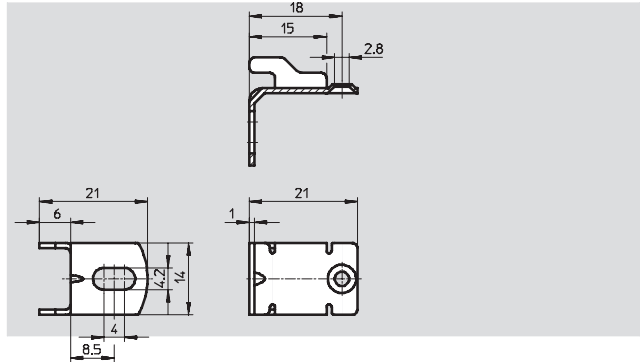
## Mounting bracket HFOE-D

Micro size

- For wall mounting

Material:

Galvanised steel



Ordering data			
Size	Part No.	Type	
Micro	526317	HFOE-D-MICRO	

## Mounting bracket HFOE-D

Mini/Midi/Maxi size

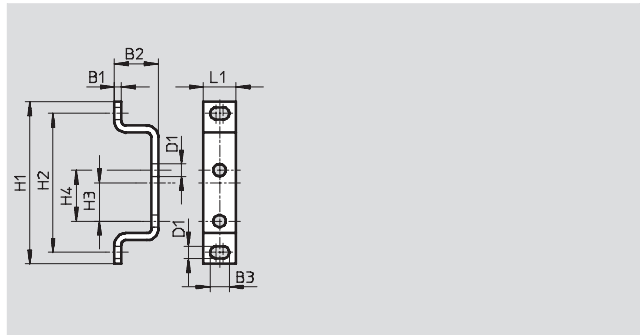
- For wall mounting

Material:

Galvanised steel

Note on material:

Free of copper and PTFE



Dimensions and ordering data												
Size	B1	B2	B3	D1	H1	H2	H3	H4	L1	CRC <sup>1)</sup>	Part No.	Type
Mini	2	19	7.3	4.3	43	35	5.5	11	12	2	159638	HFOE-D-MINI
Midi/Maxi	3	19	8.3	5.3	70	60	16.5	22	14	2	159593	HFOE-D-MIDI/MAXI

1) Corrosion resistance class 2 as per Festo standard 940 070

Components subject to moderate corrosion stress. Externally visible parts with primarily decorative surface requirements which are in direct contact with a normal industrial environment or media such as coolants or lubricating agents.

## Mouning bracket set HRBS-DB

- For wall mounting

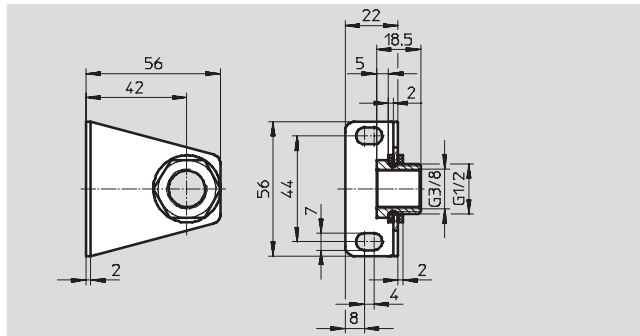
Material

Hollow bolt, bracket: Galvanised steel

Sealing ring: Polyvinyl chloride

Note on material:

Free of copper and PTFE



Dimensions and ordering data					
Size	Pneumatic connection	CRC <sup>1)</sup>	Weight [g]	Part No.	Type
Mini	G $\frac{3}{8}$	2	150	540791	HRBS-DB-MINI

1) Corrosion resistance class 2 as per Festo standard 940 070

Components subject to moderate corrosion stress. Externally visible parts with primarily decorative surface requirements which are in direct contact with a normal industrial environment or media such as coolants or lubricating agents.

## Accessories, D series

Mounting attachments

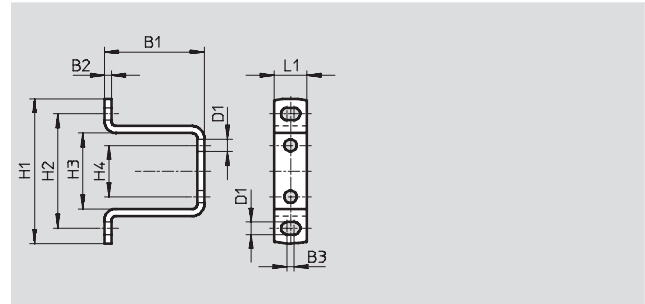
FESTO

### Mounting bracket HRB-D

- For wall mounting
- For pressure regulators LRB/LRBS

Material:

Galvanised steel



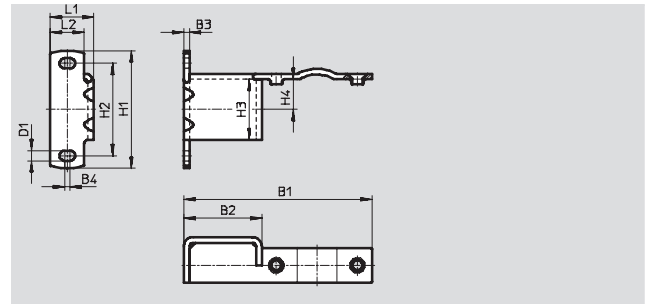
Dimensions and ordering data											
Size	B1	B2	B3	D1 Ø	H1	H2	H3	H4	L1	Part No.	Type
Mini	38.8	2.5	3	4.3	47.3	35	20	11	12	525029	HRB-D-MINI
Midi	42.7	3	3	5.3	62	49	32.5	22	14	525030	HRB-D-MIDI

### Mounting bracket HRBK-D

- For wall mounting
- For pressure regulators LRB/LRBS

Material:

Galvanised steel



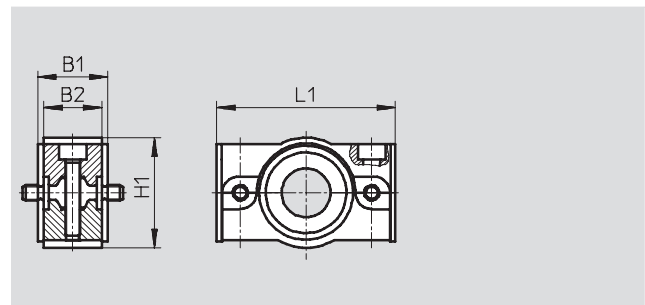
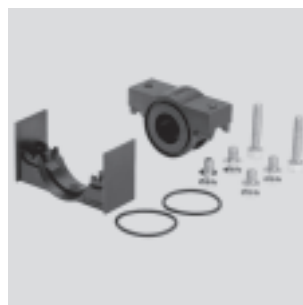
Dimensions and ordering data													
Size	B1	B2	B3	B4	D1 Ø	H1	H2	H3	H4	L1	L2	Part No.	Type
Mini	80.5	37.5	2.5	3	4.3	47.3	35	20	10	18.5	14	525031	HRBK-D-MINI
Midi	99.8	41.3	3	3	5.3	62.3	49	32	16	24	18	525032	HRBK-D-MIDI

### Connecting kit HRBC-D

- For pressure regulators LRB/LRBS

Material:

Die-cast zinc



Dimensions and ordering data							
Size	B1	B2	H1	L1	Weight [g]	Part No.	Type
Mini	17.4	14.8	20	43	65	529022	HRBC-D-MINI
Midi	23	18.6	36	58.5	188	529023	HRBC-D-MIDI

## Accessories, D series

Mounting attachments

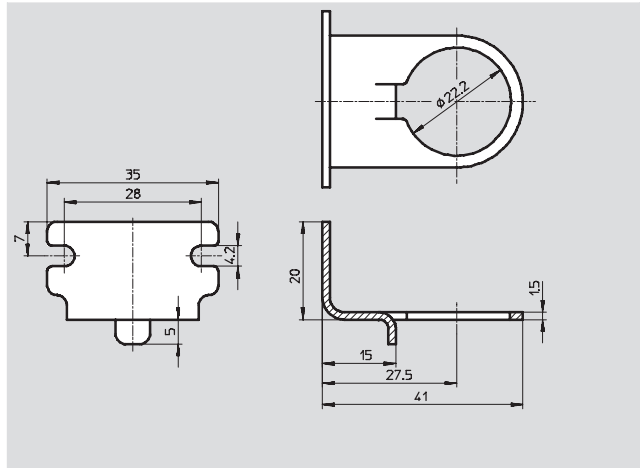
FESTO

### Mounting bracket HRS-D

- For wall mounting of an individual unit

Material:

Galvanised steel



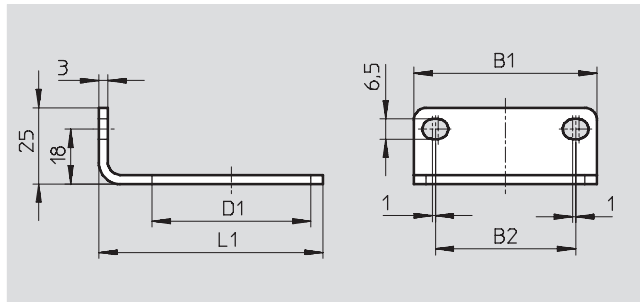
Ordering data		
Size	Part No.	Type
Micro	526316	HRS-D-MICRO

### Mounting bracket HR-D

- For wall mounting of an individual unit

Material:

Galvanised steel



Dimensions and ordering data							
Size	B1	B2	D1	L1	CRC <sup>1)</sup>	Part No.	Type
Mini	42	28	36	57.5	2	164936	HR-D-MINI
Midi	60	46	52	73.5	2	162804	HR-D-MIDI
Maxi	64	51	36	82	2	162805	HR-D-MAXI
DI	64	51	52	82	2	193802	HR-D-DI-MAXI

1) Corrosion resistance class 2 as per Festo standard 940 070

Components subject to moderate corrosion stress. Externally visible parts with primarily decorative surface requirements which are in direct contact with a normal industrial environment or media such as coolants or lubricating agents.

## Accessories, D series

Mounting attachments

### Hex nut HMR-D

- For filter regulators LFR and pressure regulators LR

Material:  
Wrought aluminium alloy

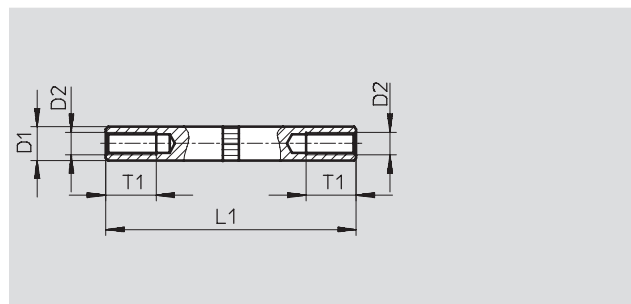


Ordering data		
Size	Part No.	Type
Micro	526816	HMR-D-MICRO
Mini/Maxi	530025	HMR-D-MINI/MAXI
Midi	530026	HMR-D-MIDI

### Threaded pin HSB-D

- For individual devices with connecting plates

Material:  
High-alloy steel



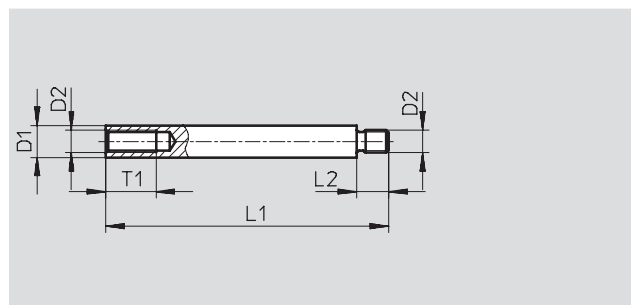
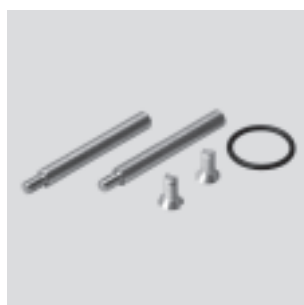
Dimensions and ordering data						
Size	D1 ∅	D2	L1	T1 min.	Part No.	Type
Mini	6.5	M4	39.7	10	531057	HSB-D-MINI
Midi	7.5	M5	54.7	11	531058	HSB-D-MIDI

### Threaded pin FRB-D

- For service unit combinations

Material:  
High-alloy steel

Note on material Mini/Midi/Maxi:  
Free of copper and PTFE



Dimensions and ordering data								
Size	D1 ∅	D2	L1	L2	T1 min.	CRC <sup>1)</sup>	Part No.	Type
Micro	3.5	M2.5	28.4	4	6	–	526817	FRB-D-MICRO
Mini	6	M4	45.8	6	10	2	159642	FRB-D-MINI
Midi	7	M5	61.8	7	11	2	159595	FRB-D-MIDI
Maxi	7	M5	72.8	7	11	2	159643	FRB-D-MAXI

1) Corrosion resistance class 2 as per Festo standard 940 070  
Components subject to moderate corrosion stress. Externally visible parts with primarily decorative surface requirements which are in direct contact with a normal industrial environment or media such as coolants or lubricating agents.

## Accessories, D series

Mounting attachments

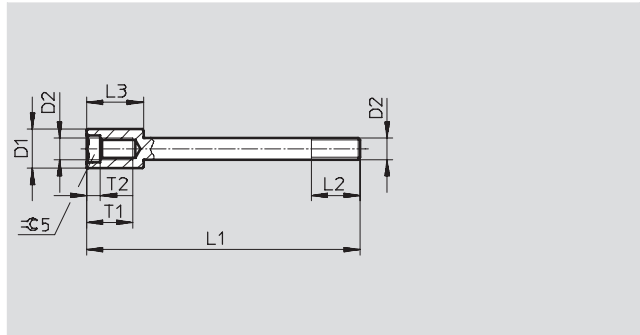
FESTO

### Threaded pin FRB-DB

- Substitute for socket head screws in the lubricator of the service unit FRC-DB for attachment of another service unit

Material:  
Steel

Note on material:  
Free of copper and PTFE



Dimensions and ordering data										
Size	D1 ∅	D2	L1	L2 min.	L3	T1	T2	CRC <sup>1)</sup>	Part No.	Type
Mini	7.2	M4	50.5	9	10.5	8.5	2.5	1	542187	FRB-DB-MINI

1) Corrosion resistance class 1 as per Festo standard 940 070  
Components requiring low corrosion resistance. Transport and storage protection. Parts that do not have primarily decorative surface requirements, e.g. in internal areas that are not visible or behind covers.

### Nut assortment M4-DB

- For service unit combinations

Material:  
Galvanised steel

Note on material:  
Free of copper and PTFE



Ordering data			
Size	CRC <sup>1)</sup>	Part No.	Type
Mini	1	542790	M4-DB-MINI

1) Corrosion resistance class 1 as per Festo standard 940 070  
Components requiring low corrosion resistance. Transport and storage protection. Parts that do not have primarily decorative surface requirements, e.g. in internal areas that are not visible or behind covers.

## Accessories, D series

Connecting plates

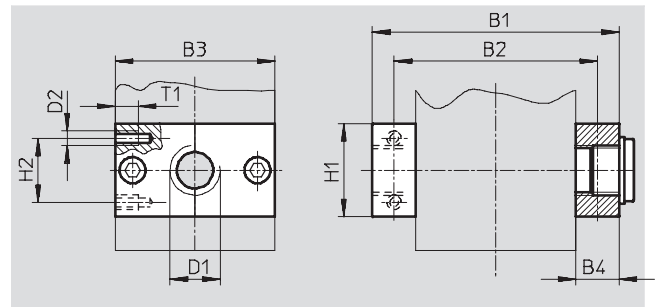
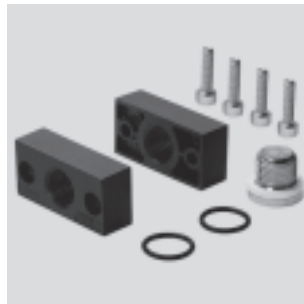
FESTO

### Connecting plates LRBAS-D

- For pressure regulators LRB/LRBS

Material:

Die-cast zinc



Dimensions and ordering data												
Size	Connection	B1	B2	B3	B4	D1	D2	H1	H2	T1 max.	Part No.	Type
Mini	G $\frac{1}{4}$	64	52	40	12	G $\frac{1}{4}$	M4	20	11	7	525033	LRBAS- $\frac{1}{4}$ -D-MINI
	G $\frac{3}{8}$	70	52	40	15	G $\frac{3}{8}$	M4	23	11	7	525034	LRBAS- $\frac{3}{8}$ -D-MINI
Midi	G $\frac{3}{8}$	85	70	55	15	G $\frac{3}{8}$	M5	32	22	8	525035	LRBAS- $\frac{3}{8}$ -D-MIDI
	G $\frac{1}{2}$	85	70	55	15	G $\frac{1}{2}$	M5	32	22	8	525036	LRBAS- $\frac{1}{2}$ -D-MIDI

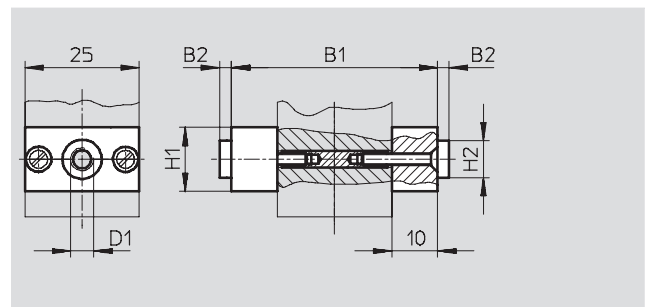
Note: This product conforms to ISO 1179-1 and to ISO 228-1

### Connecting plate kit PBL-D

- For service units FRC, filter regulators LFR, filters LF, pressure regulators LR and lubricators LOE

Material:

Wrought aluminium alloy



Dimensions and ordering data							
Size	Connection	B1	B2	D1	H1	H2	Part No. Type
Micro	G $\frac{1}{8}$	45	–	G $\frac{1}{8}$	14	–	526318 PBL- $\frac{1}{8}$ -D-MICRO
	QS4	45	2.5	QS4	14	8	526321 PBL-QS4-D-MICRO
	QS6	45	2.5	QS6	14	10	526322 PBL-QS6-D-MICRO

## Accessories, D series

Connecting plates

FESTO

### Connecting plate kit PBL-DB

- For wall mounting
- For establishing a pneumatic connection G $\frac{3}{8}$

Material:

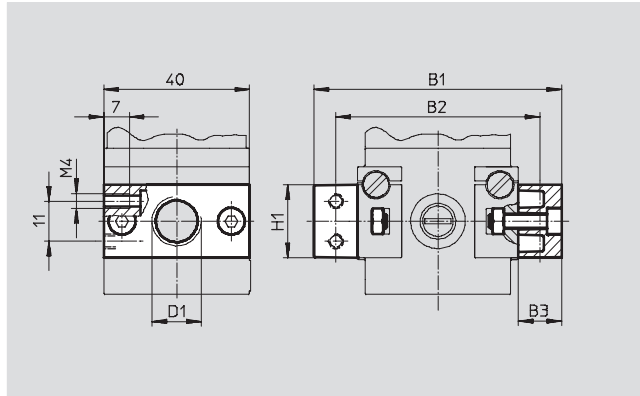
Connecting plate: Die-cast zinc

Nut, screws: Galvanised steel

Seals: Nitrile rubber

Note on material:

Free of copper and PTFE



Dimensions and ordering data							
Size	B1	B2	B3	D1	H1	CRC <sup>1)</sup>	Part No. Type
Mini	68	56	12	G $\frac{1}{8}$	20	1	542787 PBL- $\frac{1}{8}$ -DB-MINI
	68	56	12	G $\frac{1}{4}$	20		542788 PBL- $\frac{1}{4}$ -DB-MINI
	74	56	15	G $\frac{3}{8}$	23		542789 PBL- $\frac{3}{8}$ -DB-MINI

1) Corrosion resistance class 1 as per Festo standard 940 070

Components requiring low corrosion resistance. Transport and storage protection. Parts that do not have primarily decorative surface requirements, e.g. in internal areas that are not visible or behind covers.



## Accessories, D series

Security components

### Regulator lock LRVS

Locking device to prevent unauthorised alteration of the set pressure of pressure and filter regulators.

Material:

Cap: Polyacetal

Lock plate: Steel

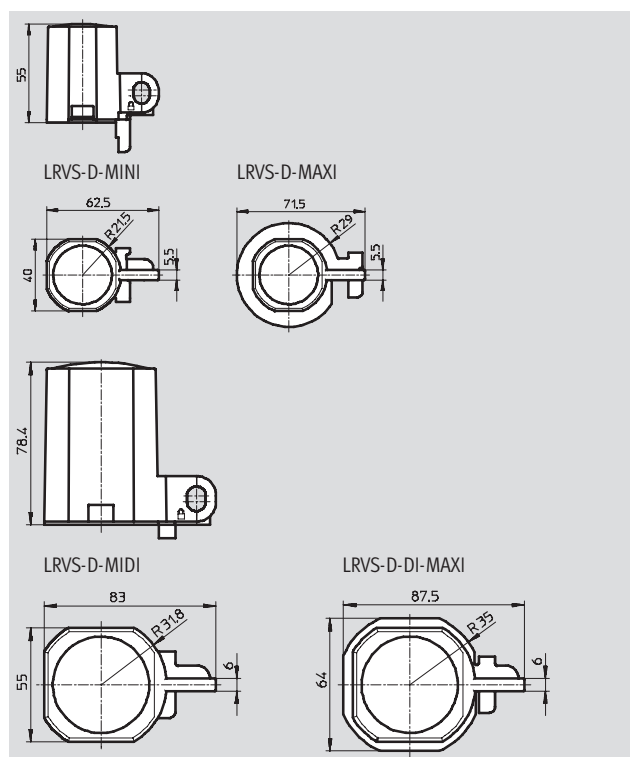
Knurled nut: Aluminium

Note on material:

Free of copper and PTFE

Ambient temperature:

-20 ... +60 °C



Ordering data		Part No.	Type
Size	Weight [g]		
Mini	40	193781	LRVS-D-MINI
Midi	60	193782	LRVS-D-MIDI
Maxi	56	193783	LRVS-D-MAXI
DI	36	193784	LRVS-D-DI-MAXI

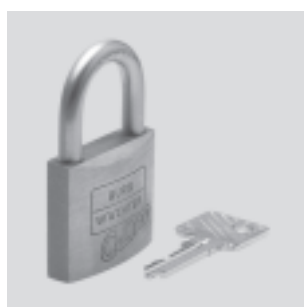
### Padlock LRVS-D

Material:

Housing: Brass

Ambient temperature:

-20 ... +60 °C



Ordering data		Part No.	Type
Size	Weight [g]		
Mini/Midi/Maxi	120	193786	LRVS-D

# Product Range and Company Overview

## A Complete Suite of Automation Services

Our experienced engineers provide complete support at every stage of your development process, including: conceptualization, analysis, engineering, design, assembly, documentation, validation, and production.



**Custom Automation Components**  
Complete custom engineered solutions



**Custom Control Cabinets**  
Comprehensive engineering support and on-site services



**Complete Systems**  
Shipment, stocking and storage services

## The Broadest Range of Automation Components

With a comprehensive line of more than 30,000 automation components, Festo is capable of solving the most complex automation requirements.



**Electromechanical**  
Electromechanical actuators, motors, controllers & drives



**Pneumatics**  
Pneumatic linear and rotary actuators, valves, and air supply



**PLCs and I/O Devices**  
PLC's, operator interfaces, sensors and I/O devices

## Supporting Advanced Automation... As No One Else Can!

Festo is a leading global manufacturer of pneumatic and electromechanical systems, components and controls for industrial automation, with more than 12,000 employees in 56 national headquarters serving more than 180 countries. For more than 80 years, Festo has continuously elevated the state of manufacturing with innovations and optimized motion control solutions that deliver higher performing, more profitable automated manufacturing and processing equipment. Our dedication to the advancement of automation extends beyond technology to the education and development of current and future automation and robotics designers with simulation tools, teaching programs, and on-site services.

## Quality Assurance, ISO 9001 and ISO 14001 Certifications

Festo Corporation is committed to supply all Festo products and services that will meet or exceed our customers' requirements in product quality, delivery, customer service and satisfaction.

To meet this commitment, we strive to ensure a consistent, integrated, and systematic approach to management that will meet or exceed the requirements of the ISO 9001 standard for Quality Management and the ISO 14001 standard for Environmental Management.



© Copyright 2008, Festo Corporation. While every effort is made to ensure that all dimensions and specifications are correct, Festo cannot guarantee that publications are completely free of any error, in particular typing or printing errors. Accordingly, Festo cannot be held responsible for the same. For Liability and Warranty conditions, refer to our "Terms and Conditions of Sale", available from your local Festo office. All rights reserved. No part of this publication may be reproduced, distributed, or transmitted in any form or by any means, electronic, mechanical, photocopying or otherwise, without the prior written permission of Festo. All technical data subject to change according to technical update.



Printed on recycled paper at New Horizon Graphic, Inc., FSC certified as an environmentally friendly printing plant.

# Festo North America

## Festo Regional Contact Center

5300 Explorer Drive  
Mississauga, Ontario L4W 5G4  
Canada

### USA Customers:

For ordering assistance,

**Call:** 1.800.99.FESTO (1.800.993.3786)

**Fax:** 1.800.96.FESTO (1.800.963.3786)

**Email:** [customer.service@us.festo.com](mailto:customer.service@us.festo.com)

For technical support,

**Call:** 1.866.GO.FESTO (1.866.463.3786)

**Fax:** 1.800.96.FESTO (1.800.963.3786)

**Email:** [product.support@us.festo.com](mailto:product.support@us.festo.com)

### Canadian Customers:

**Call:** 1.877.GO.FESTO (1.877.463.3786)

**Fax:** 1.877.FX.FESTO (1.877.393.3786)

**Email:** [festo.canada@ca.festo.com](mailto:festo.canada@ca.festo.com)

---

## USA Headquarters

Festo Corporation  
395 Moreland Road  
P.O. Box 18023  
Hauppauge, NY 11788, USA  
[www.festo.com/us](http://www.festo.com/us)

---

## USA Sales Offices

### Appleton

North 922 Tower View Drive, Suite N  
Greenville, WI 54942, USA

### Boston

120 Presidential Way, Suite 330  
Woburn, MA 01801, USA

### Chicago

1441 East Business Center Drive  
Mt. Prospect, IL 60056, USA

### Dallas

1825 Lakeway Drive, Suite 600  
Lewisville, TX 75057, USA

### Detroit – Automotive Engineering Center

2601 Cambridge Court, Suite 320  
Auburn Hills, MI 48326, USA

### New York

395 Moreland Road  
Hauppauge, NY 11788, USA

### Silicon Valley

4935 Southfront Road, Suite F  
Livermore, CA 94550, USA

## United States



**USA Headquarters, East:** Festo Corp., 395 Moreland Road, Hauppauge, NY 11788

Phone: 1.631.435.0800; Fax: 1.631.435.8026;

Email: [info@festo-usa.com](mailto:info@festo-usa.com)

[www.festo.com/us](http://www.festo.com/us)

## Canada



**Headquarters:** Festo Inc., 5300 Explorer Drive, Mississauga, Ontario L4W 5G4

Phone: 1.905.624.9000; Fax: 1.905.624.9001;

Email: [festo.canada@ca.festo.com](mailto:festo.canada@ca.festo.com)

[www.festo.ca](http://www.festo.ca)

## Mexico



**Headquarters:** Festo Pneumatic, S.A., Av. Ceylán 3, Col. Tequesquahuac,  
54020 Tlalneantla, Edo. de México

Phone: 011 52 [55] 53 21 66 00; Fax: 011 52 [55] 53 21 66 65;

Email: [festo.mexico@mx.festo.com](mailto:festo.mexico@mx.festo.com)

[www.festo.com/mx](http://www.festo.com/mx)

---

## Central USA

Festo Corporation  
1441 East Business  
Center Drive  
Mt. Prospect, IL 60056, USA  
Phone: 1.847.759.2600  
Fax: 1.847.768.9480



## Western USA

Festo Corporation  
4935 Southfront Road,  
Suite F  
Livermore, CA 94550, USA  
Phone: 1.925.371.1099  
Fax: 1.925.245.1286



---

## Festo Worldwide

Argentina Australia Austria Belarus Belgium Brazil Bulgaria Canada Chile China Colombia Croatia Czech Republic Denmark  
Estonia Finland France Germany Great Britain Greece Hong Kong Hungary India Indonesia Iran Ireland Israel Italy Japan Latvia  
Lithuania Malaysia Mexico Netherlands New Zealand Norway Peru Philippines Poland Romania Russia Serbia Singapore  
Slovakia Slovenia South Africa South Korea Spain Sweden Switzerland Taiwan Thailand Turkey Ukraine United States Venezuela

[www.festo.com](http://www.festo.com)