

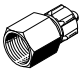




Quick connectors



Quick connectors

Product range overview

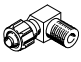

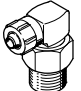

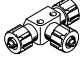

FESTO

Design	Design	Type	Connection D1		Tubing I.D.	→ Page/ Internet
			M thread	G thread		
Straight	Quick connector – Female thread with sealing ring					
		ACK Aluminium design	–	G $\frac{1}{8}$	3, 4, 6	5
				G $\frac{1}{4}$	4, 6	
				G $\frac{3}{8}$	6, 9	
				G $\frac{1}{2}$	13	
	Quick connector – Male thread with sealing ring					
		CK Metal design	M5	–	3, 4	6
			–	G $\frac{1}{8}$	3, 4, 6	
				G $\frac{1}{4}$	4, 6, 9	
				G $\frac{3}{8}$	6, 9, 13	
				G $\frac{1}{2}$	13	
		CK-...-KU Polymer design	–	G $\frac{1}{8}$	3, 4, 6	7
				G $\frac{1}{4}$	4, 6, 9	
				G $\frac{3}{8}$	6, 9	
	Bulkhead quick connector – Female thread with sealing ring					
		QCK	M5	–	PK-3	8
			–	G $\frac{1}{8}$	PK-4	
				G $\frac{1}{4}$	PK-6	
				G $\frac{3}{8}$	PK-9	
	Bulkhead quick connector					
		SCK Aluminium design	–	–	PK-3, PK-4, PK-6, PK-9	9
		SCK-...-KU Polymer design	–	–	PK-3, PK-4, PK-6, PK-9	9
	End cap for plastic tube connectors and barbed connectors					
	CV-PK	–	–	3, 4, 6, 9	10	

Quick connectors

Product range overview



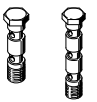

FESTO

Design	Design	Type	Connection D1			Tubing I.D.	→ Page/ Internet	
			M thread	R thread	G thread			
L-shape	Elbow quick connector							
		GCK-...-KU Polymer design	–	R1/8 R1/4 R3/8	–	4, 6 4, 6 6, 9	11	
	Elbow quick connector with 2 sealing rings, orientable							
		LCK Metal design	M5 –	–	– G1/8 G1/4 G3/8 G1/2	3, 4 3, 4, 6 4, 6, 9 6, 9, 13 13	12	
		LCK-...-KU Polymer design	–	–	G1/8 G1/4	4, 6 4, 6	12	
	Elbow quick connector with sealing ring, orientable							
		LCKN Metal design	M5 –	–	– G1/8 G1/4 G3/8	3, 4 3, 4, 6 4, 6 6	13	
	T-shape	T quick connector with 2 sealing rings, orientable						
			TCK Metal design	M5 –	–	– G1/8 G1/4 G3/8 G1/2	3, 4 3, 4, 6 4, 6 6, 9 13	14
			TCK-...-KU Polymer design	–	–	G1/8 G1/4	4, 6 4, 6	14
T-distributor								
		FCK-...-KU	–	–	–	3 4 6 9	15	
Union nut for CK tube connector								
	MCK Metal design	–	–	–	3, 4, 6, 9, 13	16		
	MCK-...-KU Polymer design	–	–	–	3, 4, 6, 9	16		

Quick connectors

Product range overview

FESTO

Design	Design	Type	Connection D1		Tubing I.D.	→ Page/ Internet
			M thread	G thread		
Multiple distributor	Combination hollow bolt VT with ring piece LK					
		VT-...-2 for 2 ring pieces	M5	G $\frac{1}{8}$, G $\frac{1}{4}$, G $\frac{3}{8}$	–	17
		VT-...-3 for 3 ring pieces	M5	G $\frac{1}{8}$, G $\frac{1}{4}$, G $\frac{3}{8}$	–	17
		LK Metal design	–	–	3, 4, 6	17
		LK-...-KU Polymer design	–	–	4, 6	17
	Combination hollow bolt VT with ring piece TK					
		VT-...-2 for 2 ring pieces	M5	G $\frac{1}{8}$, G $\frac{1}{4}$, G $\frac{3}{8}$	–	18
		VT-...-3 for 3 ring pieces	M5	G $\frac{1}{8}$, G $\frac{1}{4}$, G $\frac{3}{8}$	–	18
		TK Metal design	–	–	3, 4, 6	18
		TK-...-KU Polymer design	–	–	4, 6	18

Quick connectors ACK

Technical data

FESTO

Quick connector ACK
Female thread with sealing ring

Materials:
Threaded plug: Aluminium
Union nut: Aluminium

Note on materials:
RoHS-compliant



General technical data	
Mounting position	Any
Type of seal on threaded plug	Sealing ring

Operating and environmental conditions	
Operating medium	Compressed air in accordance with ISO 8573-1:2010 [7:--:-]
	Water as per manufacturer's declaration at www.festo.com
Note on operating/pilot medium	Operation with lubricated medium possible
Ambient temperature [°C]	-10 ... +60
Corrosion resistance class CRC ¹⁾	2

1) Corrosion resistance class CRC 2 to Festo standard FN 940070
Moderate corrosion stress. Indoor applications in which condensation may occur. External visible parts with primarily decorative requirements for the surface and which are in direct contact with the ambient atmosphere typical for industrial applications.

Dimensions

Download CAD data → www.festo.com

Ordering data			Nominal size [mm]	L1	L2	C1	C2	Part No.	Type	PU ¹⁾
Female thread D1	For tubing O.D. [mm]	For tubing I.D. [mm]								
G ¹ / ₈	4	-	2.4	23.9	9	13	8	5664	ACK-1/8-PK-3	10
	6	-	3.4	27	9	13	12	3714	ACK-1/8-PK-4	10
	8	-	5.3	27	9	13	14	7842	ACK-1/8-PK-6	10
G ¹ / ₄	6	-	3.4	30	12	17	12	3713	ACK-1/4-PK-4	10
	8	-	5.3	30	12	17	14	3712	ACK-1/4-PK-6	10
G ³ / ₈	8	-	5.3	31	12	19	14	3711	ACK-3/8-PK-6	10
	-	9	8	37.4	15	19	19	3710	ACK-3/8-PK-9	10
G ¹ / ₂	-	13	12	40.2	15	27	24	4099	ACK-1/2-PK-13	1

1) Packaging unit quantity

Quick connectors CK

Technical data

Quick connector CK

Metal design
Male thread with sealing ring

Materials:
Threaded plug
M thread: Galvanised steel
G thread: Aluminium
Union nut: Aluminium

Note on materials:
RoHS-compliant

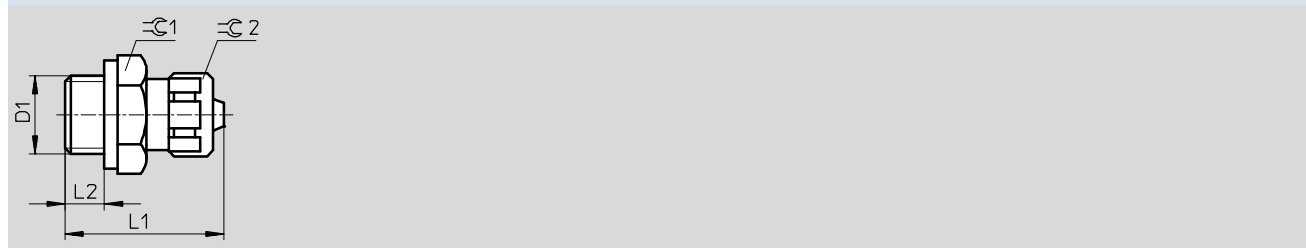


General technical data	
Mounting position	Any
Type of seal on threaded plug	Sealing ring

Operating and environmental conditions	
Operating medium	Compressed air in accordance with ISO 8573-1:2010 [7:--:-]
	Water as per manufacturer's declaration at www.festo.com
Note on operating/pilot medium	Operation with lubricated medium possible
Ambient temperature [°C]	-10 ... +60
Corrosion resistance class CRC ¹⁾	2
Certification	Germanischer Lloyd

1) Corrosion resistance class CRC 2 to Festo standard FN 940070
Moderate corrosion stress. Indoor applications in which condensation may occur. External visible parts with primarily decorative requirements for the surface and which are in direct contact with the ambient atmosphere typical for industrial applications.

Dimensions Download CAD data → www.festo.com



Ordering data										
Pneumatic connection			Nominal size [mm]	L1	L2	G	G1	Part No.	Type	PU ¹⁾
Male thread D1	For tubing O.D. [mm]	For tubing I.D. [mm]								
M5	4	-	2.0	19.3	3.8	7	8	3561	CK-M5-PK-3	10
	6	-	2.9	21.5	3.8	10	-	3562	CK-M5-PK-4	10
G ¹ / ₈	4	-	2.0	21.6	4.9	13	8	3563	CK- ¹ / ₈ -PK-3	10
	6	-	2.9	24.7	4.9	13	12	2027	CK- ¹ / ₈ -PK-4	10
	8	-	4.9	24.8	4.9	13	14	2028	CK- ¹ / ₈ -PK-6	10
G ³ / ₄	6	-	2.9	27.2	5.8	17	12	2029	CK- ³ / ₄ -PK-4	10
	8	-	4.9	27.3	5.8	17	14	2030	CK- ³ / ₄ -PK-6	10
	-	9	8	30.6	5.8	17	19	2031	CK- ³ / ₄ -PK-9	10
G ³ / ₈	8	-	4.9	28.3	6.8	19	14	2032	CK- ³ / ₈ -PK-6	10
	-	9	8	31.6	6.8	19	19	2033	CK- ³ / ₈ -PK-9	10
	-	13	11.7	33.2	6.8	24	24	4097	CK- ³ / ₈ -PK-13	10
G ¹ / ₂	-	13	11.7	34.7	8.5	24	24	4098	CK- ¹ / ₂ -PK-13	1

1) Packaging unit quantity

Quick connectors CK

Technical data

FESTO

Quick connector CK-...-KU

Polymer design

Male thread with moulded-on sealing edge

Materials:

Threaded plug: POM

Union nut: POM

Note on materials:

RoHS-compliant



General technical data	
Mounting position	Any
Type of seal on threaded plug	Sealing edge

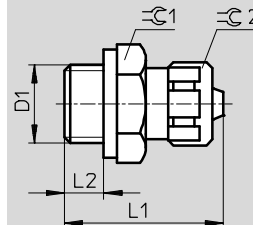
Operating and environmental conditions	
Operating pressure [bar]	0 ... 10
Operating medium	Compressed air in accordance with ISO 8573-1:2010 [7:-:-] Water as per manufacturer's declaration at www.festo.com
Note on operating/pilot medium	Operation with lubricated medium possible
Ambient temperature [°C]	-10 ... +60
Corrosion resistance class CRC ¹⁾	2
Certification	Germanischer Lloyd

1) Corrosion resistance class CRC 2 to Festo standard FN 940070

Moderate corrosion stress. Indoor applications in which condensation may occur. External visible parts with primarily decorative requirements for the surface and which are in direct contact with the ambient atmosphere typical for industrial applications.

Dimensions

Download CAD data → www.festo.com



Pneumatic connection			Nominal size [mm]	L1	L2	C	C1	Part No.	Type	PU ¹⁾
Male thread D1	For tubing O.D. [mm]	For tubing I.D. [mm]								
G ¹ / ₈	4	-	2.4	22.2	6.5	13	8	6253	CK-1/8-PK-3-KU	10
	6	-	3.4	25.3	6.5	13	12	6254	CK-1/8-PK-4-KU	10
	8	-	4.4	25.4	6.5	13	14	6255	CK-1/8-PK-6-KU	10
G ³ / ₄	6	-	3.4	28.5	8.5	17	12	6256	CK-1/4-PK-4-KU	10
	8	-	5.3	28.6	8.5	17	14	6257	CK-1/4-PK-6-KU	10
	-	9	7.3	31.9	8.5	17	19	6258	CK-1/4-PK-9-KU	10
G ³ / ₈	8	-	5.3	31	10.5	19	14	6460	CK-3/8-PK-6-KU	10
	-	9	8	34.5	10.5	19	19	6468	CK-3/8-PK-9-KU	10

1) Packaging unit quantity

Bulkhead quick connectors QCK

Technical data

FESTO

Bulkhead quick connector QCK
Female thread with sealing ring

Materials:
Housing: Aluminium

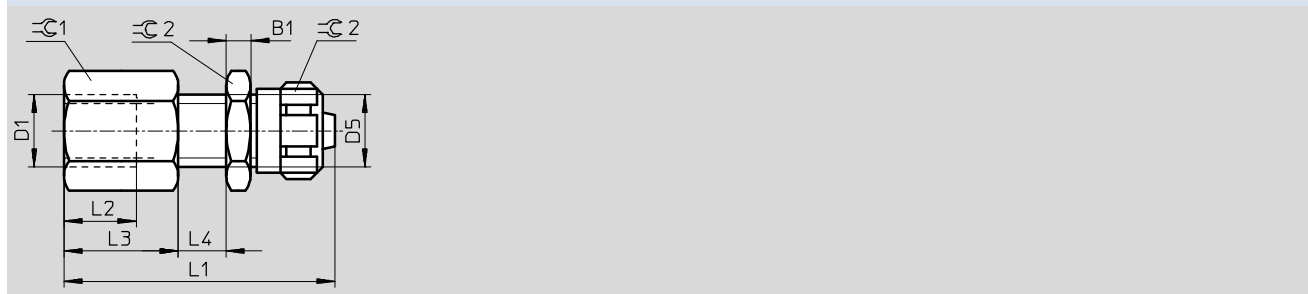
Note on materials:
RoHS-compliant
Free of copper and PTFE



General technical data	
Mounting position	Any
Type of seal on threaded plug	Sealing ring

Operating and environmental conditions	
Operating medium	Compressed air in accordance with ISO 8573-1:2010 [7:--:-]
Note on operating/pilot medium	Operation with lubricated medium possible

Dimensions Download CAD data → www.festo.com



Ordering data														
Pneumatic connection		Nominal size [mm]	B1	D5	L1	L2	L3	L4 max.	⊙C1	⊙C2	⊙C3	Part No.	Type	PU ¹⁾
M5	PK-3 ²⁾	2.4	3.2	M6x0.75	31	6	10	8	7	8	10	9424	QCK-M5-PK-3-B	10
G ¹ / ₈	PK-4 ²⁾	3.4	3.5	M10x1	40	8	13.5	10	13	12	13	9425	QCK- ¹ / ₈ -PK-4-B	10
G ¹ / ₄	PK-6 ²⁾	5.3	4	M12x1	45	12	18	10	17	14	17	9426	QCK- ¹ / ₄ -PK-6-B	10
G ³ / ₈	PK-9 ²⁾	8	5	M16x1	50	12	18.6	10	19	19	22	9427	QCK- ³ / ₈ -PK-9-B	1

1) Packaging unit quantity
2) With union nut

Bulkhead quick connectors SCK

Technical data

Bulkhead quick connector SCK

Materials:
Housing

Bulkhead quick connector SCK-...-KU
with moulded-on sealing ring

SCK: Aluminium
SCK-...-KU: POM

Note on materials:
RoHS-compliant
Free of copper and PTFE



General technical data	
Mounting position	Any

Operating and environmental conditions		
Operating pressure	[bar]	0 ... +10
Ambient temperature	[°C]	-10 ... +60

Dimensions Download CAD data → www.festo.com

Ordering data									
Pneumatic connection	Nominal size [mm]	B1	D5	L1	L2 max.	≅1	Part No.	Type	PU ¹⁾
Aluminium design									
PK-3 ²⁾	2.4	3.2	M6x0.75	34	8	10	9420	SCK-PK-3	10
PK-4 ²⁾	3.4	3.5	M10x1	43	10	13	9421	SCK-PK-4	10
PK-6 ²⁾	5.3	4	M12x1	44	10	17	9422	SCK-PK-6	10
PK-9 ²⁾	8	5	M16x1	53	10	22	9423	SCK-PK-9	1
Polymer design									
PK-3 ²⁾	2.4	5	M10x1 ³⁾	41	10	13	9387	SCK-PK-3-KU	10
PK-4 ²⁾	3.4	5	M10x1	46	10	13	9388	SCK-PK-4-KU	10
PK-6 ²⁾	5.3	6	M12x1	48	10	17	9389	SCK-PK-6-KU	10
PK-9 ²⁾	8	7	M16x1	57	10	22	9390	SCK-PK-9-KU	1

1) Packaging unit quantity
 2) With union nut
 3) Installation diameter varies from aluminium version

End caps CV

Technical data

End cap CV

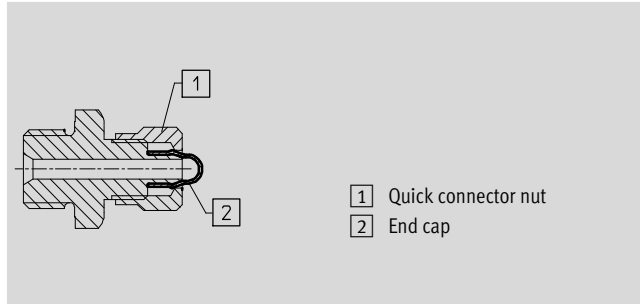
for sealing barbed fittings and connectors for polymer tubing

Material:

Polyurethane

Free of copper and PTFE

Conforms to RoHS



Dimensions and ordering data				
Tubing I.D.	Weight/piece [g]	Part No.	Type	PU*
3	0.001	6213	CV-PK-3-B	10
4	0.001	6214	CV-PK-4-B	10
6	0.001	6215	CV-PK-6-B	10
9	0.002	6216	CV-PK-9-B	10

Operating conditions (permissible static pressure)								
Type	CV-PK-3-B ... CV-PK-6-B						CV-PK-9-B	
Operating pressure [bar]	10	10	8	7	6	6	6	4
Ambient temperature [°C]	-35	+20	+40	+60	+80	+80	+60	+80

* Packaging unit quantity

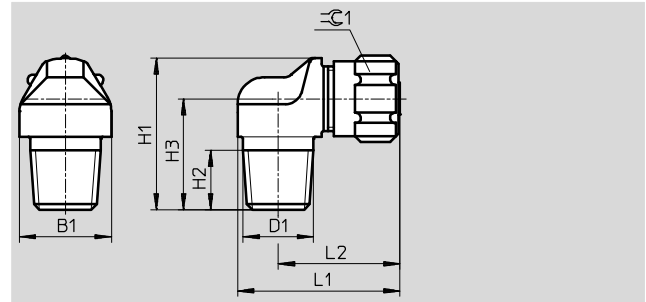
Elbow quick connectors GCK

Technical data

Elbow quick connector
GCK-...-KU

Material:
Polyacetate
Free of copper and PTFE
Conforms to RoHS

Pressure range: 0 ... 10 bar
Temperature range: -10 ... +60 °C



Dimensions and ordering data												
Connection D1	Nominal size [mm]	Tubing I.D.	B1	H1	H2	H3	L1	L2	$\approx C1$	Part No.	Type	PU*
R1/8	2.9	4	13	22.5	8	16.5	26.5	20.5	20.5	6267	GCK-1/8-PK-4-KU	10
	4.9	6	17	24.5	8	17.5	28.5	21.5	21.5	6268	GCK-1/8-PK-6-KU	10
R1/4	2.9	4	17	25.5	11	19.5	30	22.5	22.5	6269	GCK-1/4-PK-4-KU	10
	4.9	6	17	27.5	11	20.5	30	22.5	22.5	6270	GCK-1/4-PK-6-KU	10
R3/8	4.9	6	19	28.5	10.5	21	34	24.5	24.5	6271	GCK-3/8-PK-6-KU	10
	8	9	19	33.5	10.5	23.5	37.2	27.7	27.7	6272	GCK-3/8-PK-9-KU	10

* Packaging unit quantity

L quick connectors LCK

Technical data

FESTO

L quick connector LCK
with 2 sealing rings
Orientable

Materials:
Housing
LCK: Die-cast zinc
LCK-...-KU: POM

L quick connector LCK-...-KU
with moulded-on sealing edge
Orientable

Note on materials:
RoHS-compliant
Free of copper and PTFE



General technical data		
Type	LCK	LCK-...-KU
Mounting position	Any	
Type of seal on threaded plug	Sealing ring	Sealing edge

Operating and environmental conditions		
Operating pressure [bar]	0 ... +16	
Ambient temperature [°C]	-10 ... +60	

Dimensions Download CAD data → www.festo.com



Ordering data													
Pneumatic connection	Nominal size	B1	H1	H2	L1	L2	L3	≈C1	≈C2	Part No.	Type	PU ²⁾	
D1	[mm]												
Die-cast zinc design													
M5	PK-3 ¹⁾	2.4	10	21.1	16.1	17.2	3.8	5.2	7	8	4468	LCK-M5-PK-3	10
	PK-4 ¹⁾	2.4	11	21.1	16.1	18	3.8	5.6	7	8	4562	LCK-M5-PK-4	10
G1/8	PK-3 ¹⁾	2	16	27.1	19.1	21.1	4.9	6.1	13	8	4136	LCK-1/8-PK-3	10
	PK-4 ¹⁾	2.9	16	30.2	22.2	27.1	4.9	9.1	13	12	4469	LCK-1/8-PK-4	10
	PK-6 ¹⁾	4.9	16	30.3	22.3	27.1	4.9	9.1	13	14	4470	LCK-1/8-PK-6	10
G1/4	PK-4 ¹⁾	2.9	20	34.2	24.2	28.1	5.7	9.2	17	12	4471	LCK-1/4-PK-4	10
	PK-6 ¹⁾	4.9	20	34.3	24.3	28.1	5.5	9.3	17	14	4472	LCK-1/4-PK-6	10
	PK-9 ¹⁾	8	20	37.6	27.6	33.3	5.7	11.8	17	19	11452	LCK-1/4-PK-9	10
G3/8	PK-6 ¹⁾	4.9	25	39.3	26.8	30.3	6.7	9.3	22	14	4473	LCK-3/8-PK-6	10
	PK-9 ¹⁾	8	25	42.6	30.1	35.3	6.7	11.8	22	19	4474	LCK-3/8-PK-9	10
G1/2	PK-13 ¹⁾	11.7	30	49.2	34.2	46.6	7.9	16.85	27	24	4100	LCK-1/2-PK-13	1
Polymer design													
G1/8	PK-4 ¹⁾	3.4	16	30.5	22.5	27.5	7.1	8.25	13	12	6259	LCK-1/8-PK-4-KU	10
	PK-6 ¹⁾	5.3	16	30.5	22.5	27.5	7.1	8.25	13	14	6260	LCK-1/8-PK-6-KU	10
G1/4	PK-4 ¹⁾	3.4	20	34.5	24.5	28.5	8.1	8.25	17	12	6261	LCK-1/4-PK-4-KU	10
	PK-6 ¹⁾	5.3	20	34.5	24.5	28.5	8.1	8.25	17	14	6262	LCK-1/4-PK-6-KU	10

1) With union nut

2) Packaging unit quantity

L quick connectors LCKN

Technical data

FESTO

L quick connector LCKN
with sealing ring OL
Orientable

Materials:
Housing: Die-cast zinc

Note on materials:
RoHS-compliant



General technical data	
Mounting position	Any
Type of seal on threaded plug	Sealing ring

Operating and environmental conditions	
Operating pressure [bar]	-0.9 ... +16
Operating medium	Compressed air in accordance with ISO 8573-1:2010 [7:-:-]
Note on operating/pilot medium	Operation with lubricated medium possible (in which case lubricated operation will always be required)
Ambient temperature [°C]	-20 ... +80
Corrosion resistance class CRC ¹⁾	2

1) CRC2: Corrosion resistance class to Festo standard 940 070
Components with medium corrosion exposure. Externally visible components with significant decorative function in direct contact with normal industrial atmosphere or media such as coolants and lubricants.

Dimensions Download CAD data → www.festo.com

Note: Cannot be used as a rotary distributor.

Ordering data												
Pneumatic connection	Nominal size	H1	H2	H3	L1	L2	≙C1	≙C2	Part No.	Type	PU ²⁾	
D1	[mm]											
M5	PK-3 ¹⁾	1.7	22.2	3.55	15.15	20.1	16.1	7	8	164995	LCKN-M5-PK-3	10
	PK-4 ¹⁾	2.6	24.3	3.55	15.75	23.2	19.2	7	-	164996	LCKN-M5-PK-4	10
G ¹ / ₈	PK-3 ¹⁾	1.7	24.6	4.7	15.9	25.4	18.9	13	8	164997	LCKN-1/8-PK-3	10
	PK-4 ¹⁾	2.6	27	4.7	16.3	28.5	22	13	12	164998	LCKN-1/8-PK-4	10
	PK-6 ¹⁾	4.6	30.3	4.7	18.6	28.6	22.1	13	14	164999	LCKN-1/8-PK-6	10
G ¹ / ₄	PK-4 ¹⁾	2.6	29.5	5.8	17.7	28.5	22	17	12	165000	LCKN-1/4-PK-4	10
	PK-6 ¹⁾	4.6	32.8	5.8	20.0	28.6	22.1	17	14	165001	LCKN-1/4-PK-6	10
G ³ / ₈	PK-6 ¹⁾	4.6	33.8	6.0	20.8	28.6	22.1	19	14	165002	LCKN-3/8-PK-6	1

1) With union nut
2) Packaging unit quantity

T quick connectors TCK

Technical data

FESTO

T quick connector TCK
with 2 sealing rings
Orientable

Materials:
Housing
TCK: Die-cast zinc
TCK...-KU: POM
Union nut
TCK: Aluminium
TCK...-KU: POM

T quick connector
TCK...-KU
with moulded-on sealing ring
Orientable

Note on materials:
RoHS-compliant

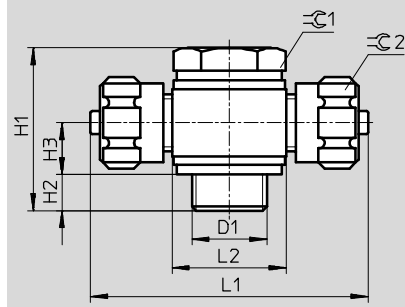


General technical data		
Type	TCK	TCK...-KU
Mounting position	Any	
Type of seal on threaded plug	Sealing ring	Sealing edge

Operating and environmental conditions		
Operating pressure [bar]	0 ... +10	
Ambient temperature [°C]	-10 ... +60	

Dimensions

Download CAD data → www.festo.com



Ordering data												
Pneumatic connection	Nominal size	H1	H2	H3	L1	L2	⌀1	⌀2	Part No.	Type	PU ²⁾	
D1	[mm]											
Die-cast zinc design												
M5	PK-3 ¹⁾	2	17.2	3.8	5.2	32.2	10	7	8	4484	TCK-M5-PK-3	10
	PK-4 ¹⁾	2	18	3.8	5.6	39.4	11	7	8	4563	TCK-M5-PK-4	10
G ¹ / ₈	PK-3 ¹⁾	2	21.1	4.9	6.1	38.2	16	13	8	4137	TCK- ¹ / ₈ -PK-3	10
	PK-4 ¹⁾	2.9	27.1	4.9	9.1	44.4	16	13	12	4485	TCK- ¹ / ₈ -PK-4	10
	PK-6 ¹⁾	4.9	27.1	4.9	9.1	44.6	16	13	14	4486	TCK- ¹ / ₈ -PK-6	10
G ¹ / ₄	PK-4 ¹⁾	2.9	28.1	5.7	9.2	48.4	20	17	12	4487	TCK- ¹ / ₄ -PK-4	10
	PK-6 ¹⁾	4.9	28.1	5.5	9.3	48.6	20	17	14	4488	TCK- ¹ / ₄ -PK-6	10
G ³ / ₈	PK-6 ¹⁾	4.9	30.3	6.7	9.3	53.6	25	22	14	4489	TCK- ³ / ₈ -PK-6	1
	PK-9 ¹⁾	8	35.3	6.7	11.8	60.2	25	22	14	4490	TCK- ³ / ₈ -PK-9	1
G ¹ / ₂	PK-13 ¹⁾	11.7	46.6	7.9	16.9	68.4	30	27	24	4101	TCK- ¹ / ₂ -PK-13	1
Polymer design												
G ¹ / ₈	PK-4 ¹⁾	3.4	27.5	7.1	8.25	45	16	13	12	6263	TCK- ¹ / ₈ -PK-4-KU	10
	PK-6 ¹⁾	5.3	27.5	7.1	8.25	45	16	13	14	6264	TCK- ¹ / ₈ -PK-6-KU	10
G ¹ / ₄	PK-4 ¹⁾	3.4	28.5	8.1	8.25	49	20	17	12	6265	TCK- ¹ / ₄ -PK-4-KU	10
	PK-6 ¹⁾	5.3	28.5	8.1	8.25	49	20	17	14	6266	TCK- ¹ / ₄ -PK-6-KU	10

1) With union nut

2) Packaging unit quantity

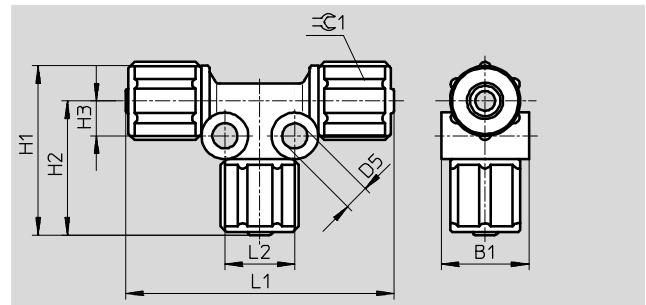
T quick connectors FCK

Technical data

T-distributor FCK-...-KU

Material:
 Polymer
 Free of copper and PTFE
 Conforms to RoHS

Pressure range: 0 ... 10 bar
 Temperature range: -10 ... +60 °C



Dimensions and ordering data												
Tubing I.D.	Nominal size [mm]	B1	D5	H1	H2	H3	L1	L2	$\varnothing 1$	Part No.	Type	PU*
3	2.4	11	4.3	23.8	19.8	5	39.6	10	8	6273	FCK-3-PK-3-KU	10
4	3.4	15	4.3	30.2	24.2	6	48.4	12	12	6274	FCK-3-PK-4-KU	10
6	5.3	18	4.3	31.2	24.2	6	48.4	12	14	6275	FCK-3-PK-6-KU	10
9	8	22	4.3	38.3	28.8	7.1	56.4	13	19	6276	FCK-3-PK-9-KU	10

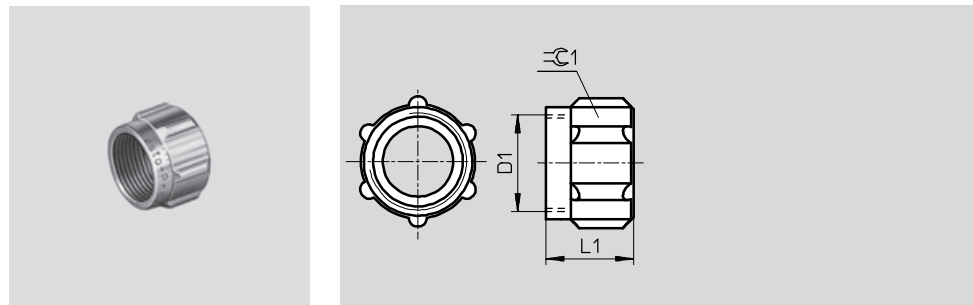
* Packaging unit quantity

Union nuts MCK

Technical data

Union nut MCK
for tube connectors

Material:
Blue anodised aluminium
Free of copper and PTFE
Conforms to RoHS



Union nut MCK-...-KU
for tube connectors

Material:
Polymer design
Free of copper and PTFE
Conforms to RoHS

Dimensions and ordering data						
Tubing I.D.	D1	L1	≈C1	Part No.	Type	PU*
Aluminium design						
3	M6x0.75	8.5	8	205254	MCK-PK-3	1
4	M10x1	11	12	2965	MCK-PK-4 ¹⁾	1
4	M8x1	9.5	-	205257	MCK-PK-4-R ²⁾	1
6	M12x1	11	14	2966	MCK-PK-6	1
9	M16x1	14.4	19	2967	MCK-PK-9	1
13	M22x1	18	24	206504	MCK-PK-13	1
Polymer design						
3	M6x0.75	9.5	8	211289	MCK-PK-3-KU	1
4	M10x1	12.5	12	211291	MCK-PK-4-KU ¹⁾	1
6	M12x1	12.5	14	211292	MCK-PK-6-KU	1
9	M16x1	16	19	211293	MCK-PK-9-KU	1

* Packaging unit quantity

- 1) except for connectors CK-M5-PK-4, LCK-M5-PK-4, TCK-M5-PK-4
- 2) for connectors CK-M5-PK-4, LCK-M5-PK-4, TCK-M5-PK-4

Multiple distributors

Technical data

FESTO

Hollow bolt VT with ring piece LK
(one outlet connection)

Certification:

Ring piece LK: Germanischer Lloyd

Materials:

Hollow bolt: Galvanised steel

Ring piece LK: Die-cast zinc

Ring piece LK-...-KU: Polymer

Note on materials:

Conforms to RoHS



VT



LK

Ordering data				Dimensions → 19			
Hollow bolt				Ring piece			
Pneumatic connection	No. of ring pieces	Part No.	Type	Pneumatic connection	Part No.	Type	PU*
Die-cast zinc design							
M5	2	206145	VT-M5-2 ³⁾	PK-3 with union nut	4475	LK-M5-PK-3 ¹⁾	10
	3	4594	VT-M5-3 ³⁾				
G1/8	2	4593	VT-1/8-2-PK-3 ³⁾	PK-3 with union nut	4597	LK-1/8-PK-3 ¹⁾	10
	3	4595	VT-1/8-3-PK-3 ³⁾				
G1/8	2	206146	VT-1/8-2 ³⁾	PK-4 with union nut	4476	LK-1/8-PK-4 ¹⁾	10
	3	4596	VT-1/8-3 ³⁾				
G1/8	2	206146	VT-1/8-2 ³⁾	PK-6 with union nut	4477	LK-1/8-PK-6 ¹⁾	10
	3	4596	VT-1/8-3 ³⁾				
G1/4	2	206147	VT-1/4-2 ³⁾	PK-4 with union nut	4478	LK-1/4-PK-4 ¹⁾	10
	3	2335	VT-1/4-3 ³⁾				
G1/4	2	206147	VT-1/4-2 ³⁾	PK-6 with union nut	4479	LK-1/4-PK-6 ¹⁾	10
	3	2335	VT-1/4-3 ³⁾				
G3/8	2	206148	VT-3/8-2 ³⁾	PK-6 with union nut	4480	LK-3/8-PK-6 ¹⁾	1
	3	2336	VT-3/8-3 ³⁾				
Polymer design							
G1/8	2	206146	VT-1/8-2 ³⁾	PK-4 with union nut	6280	LK-1/8-PK-4-KU ²⁾ 3)	10
	3	4596	VT-1/8-3 ³⁾				
G1/8	2	206146	VT-1/8-2 ³⁾	PK-6 with union nut	6281	LK-1/8-PK-6-KU ²⁾ 3)	10
	3	4596	VT-1/8-3 ³⁾				
G1/4	2	206147	VT-1/4-2 ³⁾	PK-4 with union nut	6282	LK-1/4-PK-4-KU ²⁾ 3)	10
	3	2335	VT-1/4-3 ³⁾				
G1/4	2	206147	VT-1/4-2 ³⁾	PK-6 with union nut	6283	LK-1/4-PK-6-KU ²⁾ 3)	10
	3	2335	VT-1/4-3 ³⁾				

* Packaging unit quantity

1) With union nut MCK and 2 sealing rings OK

2) With union nut MCK, with moulded-on sealing ring, pressure range 0 ... 10 bar, temperature range -10 ... +60 °C

3) Free of copper and PTFE

Multiple distributors

Technical data

FESTO

Hollow bolt VT with ring piece TK
(2 outlet connections)

Materials:
Hollow bolt: Galvanised steel
Ring piece TK: Die-cast zinc
Ring piece TK-...-KU: Polymer

Note on materials:
Conforms to RoHS



VT



TK

Operating and environmental conditions	
Operating pressure [bar]	0 ... +10
Operating medium	Compressed air in accordance with ISO 8573-1:2010 [7:--:-]
Note on operating/pilot medium	Operation with lubricated medium possible (in which case lubricated operation will always be required)
Certification	Ring piece TK: Germanischer Lloyd

Ordering data						Dimensions → 19	
Hollow bolt				Ring piece			
Pneumatic connection	No. of ring pieces	Part No.	Type	Pneumatic connection	Part No.	Type	PU*
Die-cast zinc design							
M5	2	206145	VT-M5-2 ³⁾	PK-3 with union nut	4491	TK-M5-PK-3 ¹⁾	1
	3	4594	VT-M5-3 ³⁾				
G1/8	2	4593	VT-1/8-2-PK-3 ³⁾	PK-3 with union nut	4598	TK-1/8-PK-3 ¹⁾	1
	3	4595	VT-1/8-3-PK-3 ³⁾				
	2	206146	VT-1/8-2 ³⁾	PK-4 with union nut	4492	TK-1/8-PK-4 ¹⁾	1
	3	4596	VT-1/8-3 ³⁾				
	2	206146	VT-1/8-2 ³⁾	PK-6 with union nut	4493	TK-1/8-PK-6 ¹⁾	1
	3	4596	VT-1/8-3 ³⁾				
G1/4	2	206147	VT-1/4-2 ³⁾	PK-4 with union nut	4494	TK-1/4-PK-4 ¹⁾	1
	3	2335	VT-1/4-3 ³⁾				
	2	206147	VT-1/4-2 ³⁾	PK-6 with union nut	4495	TK-1/4-PK-6 ¹⁾	1
	3	2335	VT-1/4-3 ³⁾				
G3/8	2	206148	VT-3/8-2 ³⁾	PK-6 with union nut	4496	TK-3/8-PK-6 ¹⁾	1
	3	2336	VT-3/8-3 ³⁾				
Polymer design							
G1/8	2	206146	VT-1/8-2 ³⁾	PK-4 with union nut	6284	TK-1/8-PK-4-KU ^{2) 3)}	1
	3	4596	VT-1/8-3 ³⁾				
	2	206146	VT-1/8-2 ³⁾	PK-6 with union nut	6285	TK-1/8-PK-6-KU ^{2) 3)}	1
	3	4596	VT-1/8-3 ³⁾				
G1/4	2	206147	VT-1/4-2 ³⁾	PK-4 with union nut	6286	TK-1/4-PK-4-KU ^{2) 3)}	1
	3	2335	VT-1/4-3 ³⁾				
	2	206147	VT-1/4-2 ³⁾	PK-6 with union nut	6287	TK-1/4-PK-6-KU ^{2) 3)}	1
	3	2335	VT-1/4-3 ³⁾				

* Packaging unit quantity
 1) With 2 union nuts MCK and 2 sealing rings OK
 2) With 2 union nuts MCK, with moulded-on sealing ring, pressure range 0 ... 10 bar, temperature range -10 ... +60 °C
 3) Free of copper and PTFE

Multiple distributors

Technical data

Multiple distributor

consisting of:

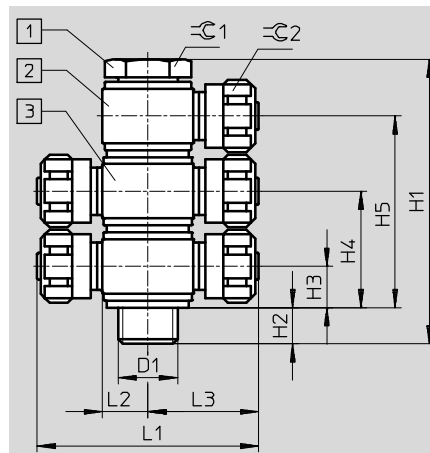
- Hollow bolt VT and ring piece LK

→ 17

or

- Hollow bolt VT and ring piece TK

→ 18



- 1 Hollow bolt VT
- 2 Ring piece LK
- 3 Ring piece TK

Dimensions														
Connection D1	Hollow bolt Type	Ring piece Type	H1	H2	H3	H4	H5	L1	L2	L3	∅C1	∅C2		
M5	VT-M5-2	LK-M5-PK-3	27.3	4	5.2	15.1	-	-	5	16.1	7	8		
		TK-M5-PK-3						32.2	-					
	VT-M5-3	LK-M5-PK-3	37.1	3.9	5.2	15.1	25	-	5	16.1	7	8		
		TK-M5-PK-3						32.2	-					
G1/8	VT-1/8-2-PK-3	LK-1/8-PK-3	32.7	5.9	6.1	16.7	-	-	8	19.1	13	8		
		TK-1/8-PK-3						38.2	-					
	VT-1/8-3-PK-3	LK-1/8-PK-3	43.3	5.9	6.1	16.7	27.3	-	8	19.1	13	8		
		TK-1/8-PK-3						38.2	-					
	VT-1/8-2	LK-1/8-PK-4	44.8	6	9.1	25.7	-	-	8	22.2	13	12		
								TK-1/8-PK-4	44.4				-	
		LK-1/8-PK-6						-	8	22.3			14	
								TK-1/8-PK-6	44.6					-
	VT-1/8-3	LK-1/8-PK-4	61.2	5.8	9.1	25.7	42.3	-	8	22.2	13	12		
								TK-1/8-PK-4	44.4				-	
		LK-1/8-PK-6						-	8	22.3			14	
								TK-1/8-PK-6	44.6					-
G1/4	VT-1/4-2	LK-1/4-PK-4	45.2	6.6	9.2	25.4	-	-	10	24.2	17	12		
				TK-1/4-PK-4	48.4	-								
		LK-1/4-PK-6		6.2	9.3	25.7		-	10	24.3			14	
				TK-1/4-PK-6	48.6	-								
	VT-1/4-3	LK-1/4-PK-4	62.5	6.7	9.2	25.4	41.6	-	10	24.2	17	12		
				TK-1/4-PK-4	48.4	-								
		LK-1/4-PK-6		6.1	9.3	25.7		42.1	-	10			24.3	14
				TK-1/4-PK-6	48.6	-								
G3/8	VT-3/8-2	LK-3/8-PK-6	47.5	7.5	9.3	25.7	-	-	12.5	26.8	22	14		
		TK-3/8-PK-6						53.6	-					
	VT-3/8-3	LK-3/8-PK-6	63.9	7.5	9.3	25.7	42.1	-	12.5	26.8	22	14		
		TK-3/8-PK-6						53.6	-					

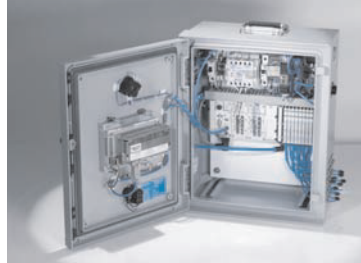
Product Range and Company Overview

A Complete Suite and Company Overview

Our experienced engineers provide complete support at every stage of your development process, including: conceptualization, analysis, engineering, design, assembly, documentation, validation, and production.



Custom Automation Components
Complete custom engineered solutions



Custom Control Cabinets
Comprehensive engineering support and on-site services



Complete Systems
Shipment, stocking and storage services

The Broadest Range of Automation Components

With a comprehensive line of more than 30,000 automation components, Festo is capable of solving the most complex automation requirements.



Electromechanical
Electromechanical actuators, motors, controllers & drivers



Pneumatics
Pneumatic linear and rotary actuators, valves, and air supply



PLCs and I/O Devices
PLC's, operator interfaces, sensors and I/O devices

Supporting Advanced Automation... As No One Else Can!

Festo is a leading global manufacturer of pneumatic and electromechanical systems, components and controls for industrial automation, with more than 16,000 employees in 60 national headquarters serving more than 180 countries. For more than 80 years, Festo has continuously elevated the state of manufacturing with innovations and optimized motion control solutions that deliver higher performing, more profitable automated manufacturing and processing equipment. Our dedication to the advancement of automation extends beyond technology to the education and development of current and future automation and robotics designers with simulation tools, teaching programs, and on-site services.

Quality Assurance, ISO 9001 and ISO 14001 Certifications

Festo Corporation is committed to supply all Festo products and services that will meet or exceed our customers' requirements in product quality, delivery, customer service and satisfaction.

To meet this commitment, we strive to ensure a consistent, integrated, and systematic approach to management that will meet or exceed the requirements of the ISO 9001 standard for Quality Management and the ISO 14001 standard for Environmental Management.

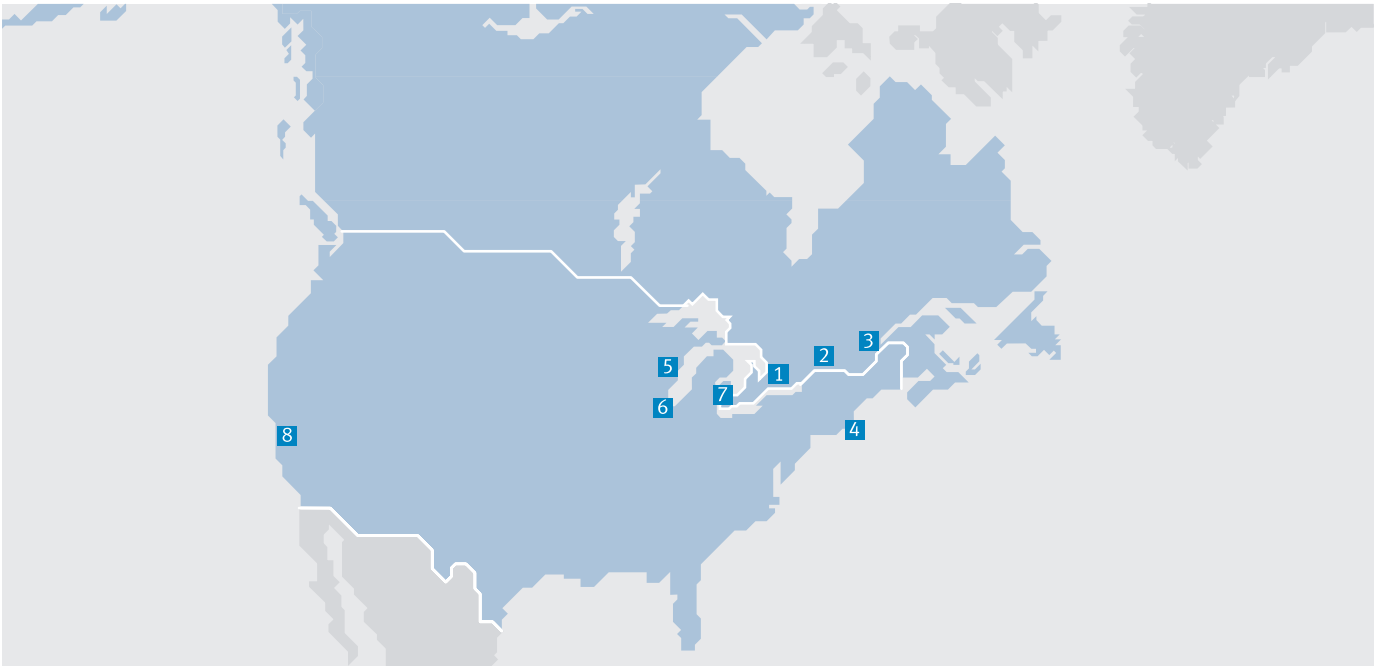


© Copyright 2013, Festo Corporation. While every effort is made to ensure that all dimensions and specifications are correct, Festo cannot guarantee that publications are completely free of any error, in particular typing or printing errors. Accordingly, Festo cannot be held responsible for the same. For Liability and Warranty conditions, refer to our "Terms and Conditions of Sale", available from your local Festo office. All rights reserved. No part of this publication may be reproduced, distributed, or transmitted in any form or by any means, electronic, mechanical, photocopying or otherwise, without the prior written permission of Festo. All technical data subject to change according to technical update.



Printed on recycled paper at New Horizon Graphic, Inc., FSC certified as an environmental friendly printing plant.

Festo North America



**1 Festo Canada
Headquarters
Festo Inc.**
5300 Explorer Drive
Mississauga, ON
L4W 5G4

2 Montréal
5600, Trans-Canada
Pointe-Claire, QC
H9R 1B6

3 Québec City
2930, rue Watt#117
Québec, QC
G1X 4G3



**4 Festo United States
Headquarters
Festo Corporation**
395 Moreland Road
Hauppauge, NY
11788

5 Appleton
North 922 Tower View Drive, Suite N
Greenville, WI
54942

7 Detroit
1441 West Long Lake Road
Troy, MI
48098

6 Chicago
85 W Algonquin - Suite 340
Arlington Heights, IL
60005

8 Silicon Valley
4935 Southfront Road, Suite F
Livermore, CA
94550

Festo Regional Contact Center

Canadian Customers

Commercial Support:
Tel: 1 877 GO FESTO (1 877 463 3786)
Fax: 1 877 FX FESTO (1 877 393 3786)
Email: festo.canada@ca.festo.com

Technical Support:
Tel: 1 866 GO FESTO (1 866 463 3786)
Fax: 1 877 FX FESTO (1 877 393 3786)
Email: technical.support@ca.festo.com

USA Customers

Commercial Support:
Tel: 1 800 99 FESTO (1 800 993 3786)
Fax: 1 800 96 FESTO (1 800 963 3786)
Email: customer.service@us.festo.com

Technical Support:
Tel: 1 866 GO FESTO (1 866 463 3786)
Fax: 1 800 96 FESTO (1 800 963 3786)
Email: product.support@us.festo.com