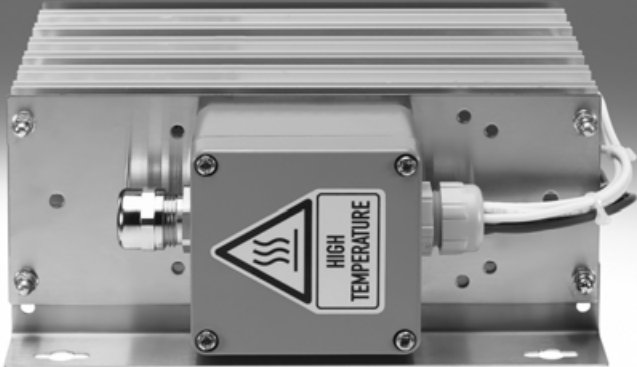


Braking resistors CACR



Braking resistors CACR

Type codes

CACR – LE 2 – 100 – W500

Type	
CACR	Resistor

Connection technology	
LE	Open end
KL	Terminal

PIN	
2	2-pin

Resistance value	
33	33 Ω
40	40 Ω
50	50 Ω
67	67 Ω
72	72 Ω
100	100 Ω

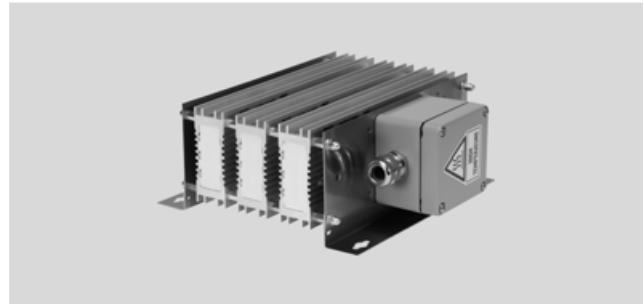
Power	
500	500 W
1800	1800 W
2000	2000 W
2400	3600 W

Braking resistors CACR

Technical data

FESTO

Braking resistor
CACR-LE2
CACR-KL2



General technical data				
Type	CACR-			
	LE2-50-W500	LE2-72-W500	LE2-100-W500	
Output at 35% duty cycle and 20 °C	[W]	500	500	500
Nominal power	[W]	200	200	200
Resistance value	[W]	50	72	100
Connection technology	Open end			
Mounting position	Vertical			
	Free convection			
Type of mounting	Via accessories			
	With through-hole			
Product weight	[g]	550	550	550

Type	CACR-			
	KL2-67-W1800	KL2-40-W2000	KL2-33-W2400	
Output at 35% duty cycle and 20 °C	[W]	1800	2000	3600 ¹⁾
Nominal power	[W]	720	800	1440
Resistance value	[W]	67	40	33
Connection technology	Terminal			
Mounting position	Vertical			
	Free convection			
Type of mounting	Via accessories			
	With through-hole			
Product weight	[g]	4000	2400	8000

1) Owing to the UL and CSA approval certificates, the performance data on the rating plate is reduced to 2400 W.

Operating and environmental conditions	
Ambient temperature	[°C] 0 ... 50
Degree of protection	IP65
Approval certificate	c UL us - Recognized (OL)
	c CSA us (OL)
Note on materials	RoHS-compliant
	Contains PWIS (paint-wetting impairment substances)

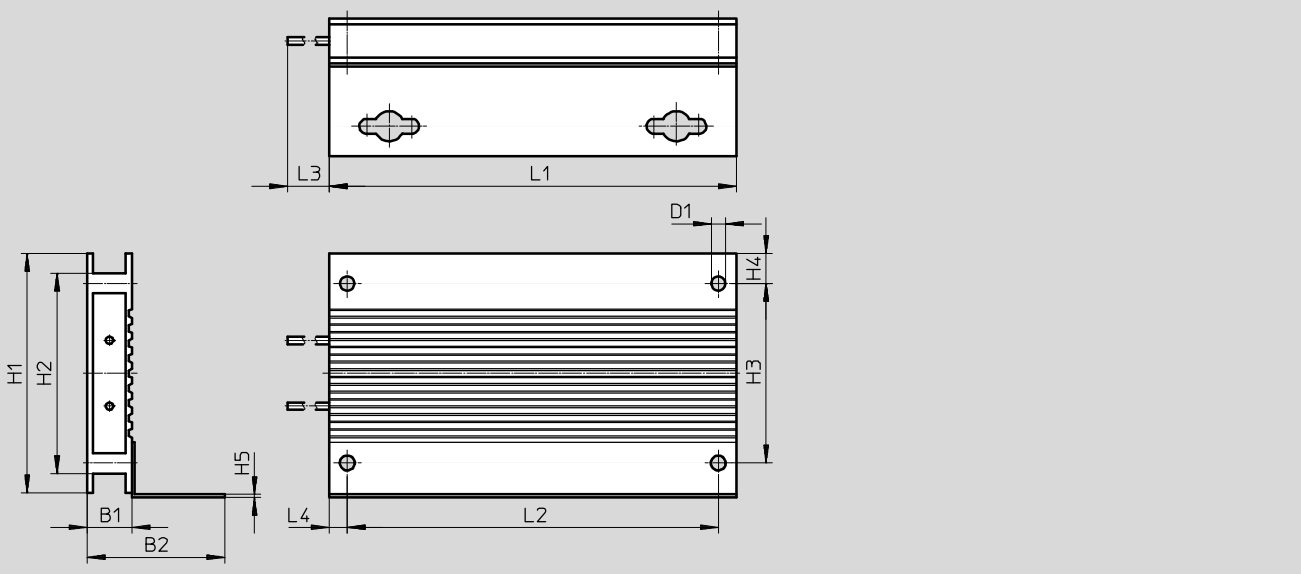
Braking resistors CACR

Technical data

Dimensions

Download CAD data → www.festo.com

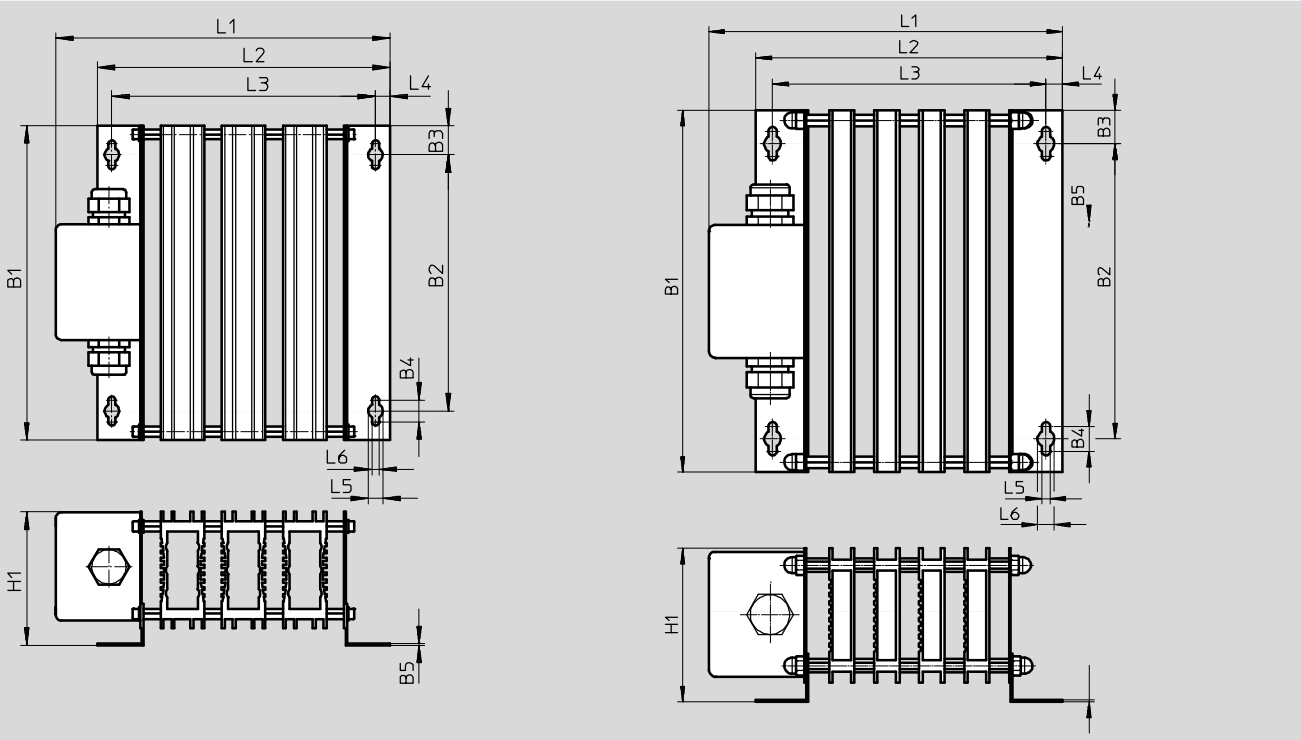
CACR-LE2-50-W500, CACR-LE2-72-W500, CACR-LE2-100-W500



Type	B1	B2	D1 ∅	H1	H2	H3	H4	H5	L1	L2	L3	L4
CACR-LE2-50-W500 CACR-LE2-72-W500 CACR-LE2-100-W500	±0.5		±0.1		±0.3	±0.2				±0.2	±40	
	15	46	4.7	80	67	60	10	1	216	204	510	6

CACR-KL2-67-W1800

CACR-KL2-40-W2000



Type	B1	B2	B3	B4	B5	H1	L1	L2	L3	L4	L5	L6
CACR-KL2-67-W1800	216	176	20	15	1	91.5	230	201	181	10	10	5
CACR-KL2-40-W2000	216	176	20	15	1	91.5	211	183	163	10	10	5

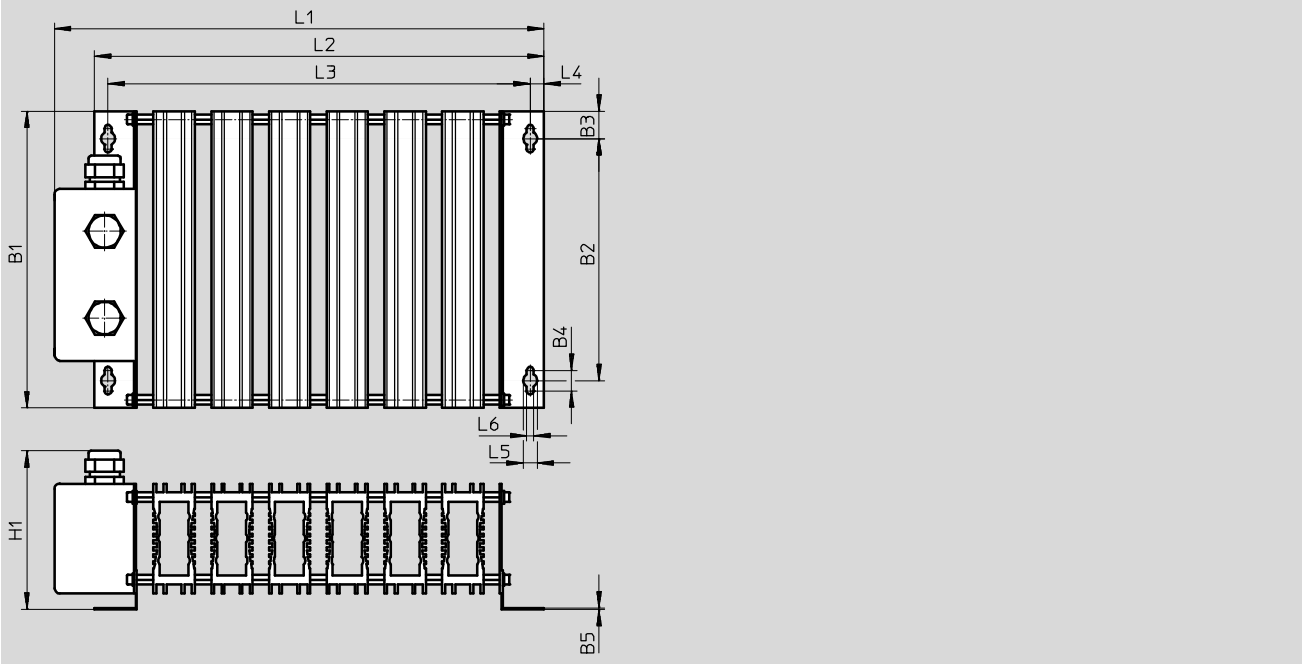
Braking resistors CACR

Technical data

Dimensions

Download CAD data → www.festo.com

CACR-KL2-33-W2400



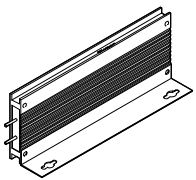
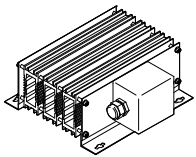
Type	B1	B2	B3	B4	B5	H1	L1	L2	L3	L4	L5	L6
CACR-KL2-33-W2400	216	176	20	15	1	115.5	356	327	307	10	10	5

Braking resistors CACR

Technical data

Allocation of braking resistor to motor controller						
Braking resistor	CACR-					
	LE2-50-W500	LE2-72-W500	LE2-100-W500	KL2-67-W1800	KL2-40-W2000	KL2-33-W2400
Suitable for motor controller						
CMMP-AS-C2-3A-M0	■ ¹⁾	■	-	-	-	-
CMMP-AS-C5-3A-M0	■ ¹⁾	■	-	-	-	-
CMMP-AS-C5-11A-P3-M0	-	-	-	■	■ ¹⁾	-
CMMP-AS-C10-11A-P3-M0	-	-	-	■	■ ¹⁾	-
CMMP-AS-C2-3A-M3	■ ¹⁾	■	-	-	-	-
CMMP-AS-C5-3A-M3	■ ¹⁾	■	-	-	-	-
CMMP-AS-C5-11A-P3-M3	-	-	-	■	■ ¹⁾	-
CMMP-AS-C10-11A-P3-M3	-	-	-	■	■ ¹⁾	-
CMMP-AS-C20-11A-P3	-	-	-	-	-	■
CMMD-AS-C8-3A	■ ¹⁾	■	-	-	-	-
CMMS-AS-C4-3A-G2	-	-	■	-	-	-

1) Recommended braking resistor

Ordering data				
Type	Resistance value [Ω]	Nominal power [W]	Part No.	Type
CACR-LE2-...				
	50	500	2882342	CACR-LE2-50-W500
	72	500	1336611	CACR-LE2-72-W500
	100	500	1336615	CACR-LE2-100-W500
CACR-KL2-...				
	67	1800	1336617	CACR-KL2-67-W1800
	40	2000	2882343	CACR-KL2-40-W2000
	33	3600	1336619	CACR-KL2-33-W2400

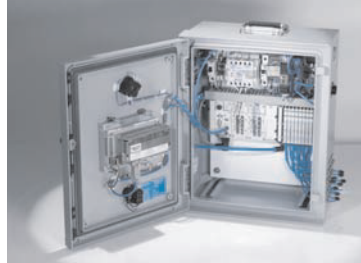
Product Range and Company Overview

A Complete Suite and Company Overview

Our experienced engineers provide complete support at every stage of your development process, including: conceptualization, analysis, engineering, design, assembly, documentation, validation, and production.



Custom Automation Components
Complete custom engineered solutions



Custom Control Cabinets
Comprehensive engineering support and on-site services



Complete Systems
Shipment, stocking and storage services

The Broadest Range of Automation Components

With a comprehensive line of more than 30,000 automation components, Festo is capable of solving the most complex automation requirements.



Electromechanical
Electromechanical actuators, motors, controllers & drivers



Pneumatics
Pneumatic linear and rotary actuators, valves, and air supply



PLCs and I/O Devices
PLC's, operator interfaces, sensors and I/O devices

Supporting Advanced Automation... As No One Else Can!

Festo is a leading global manufacturer of pneumatic and electromechanical systems, components and controls for industrial automation, with more than 16,000 employees in 60 national headquarters serving more than 180 countries. For more than 80 years, Festo has continuously elevated the state of manufacturing with innovations and optimized motion control solutions that deliver higher performing, more profitable automated manufacturing and processing equipment. Our dedication to the advancement of automation extends beyond technology to the education and development of current and future automation and robotics designers with simulation tools, teaching programs, and on-site services.

Quality Assurance, ISO 9001 and ISO 14001 Certifications

Festo Corporation is committed to supply all Festo products and services that will meet or exceed our customers' requirements in product quality, delivery, customer service and satisfaction.

To meet this commitment, we strive to ensure a consistent, integrated, and systematic approach to management that will meet or exceed the requirements of the ISO 9001 standard for Quality Management and the ISO 14001 standard for Environmental Management.

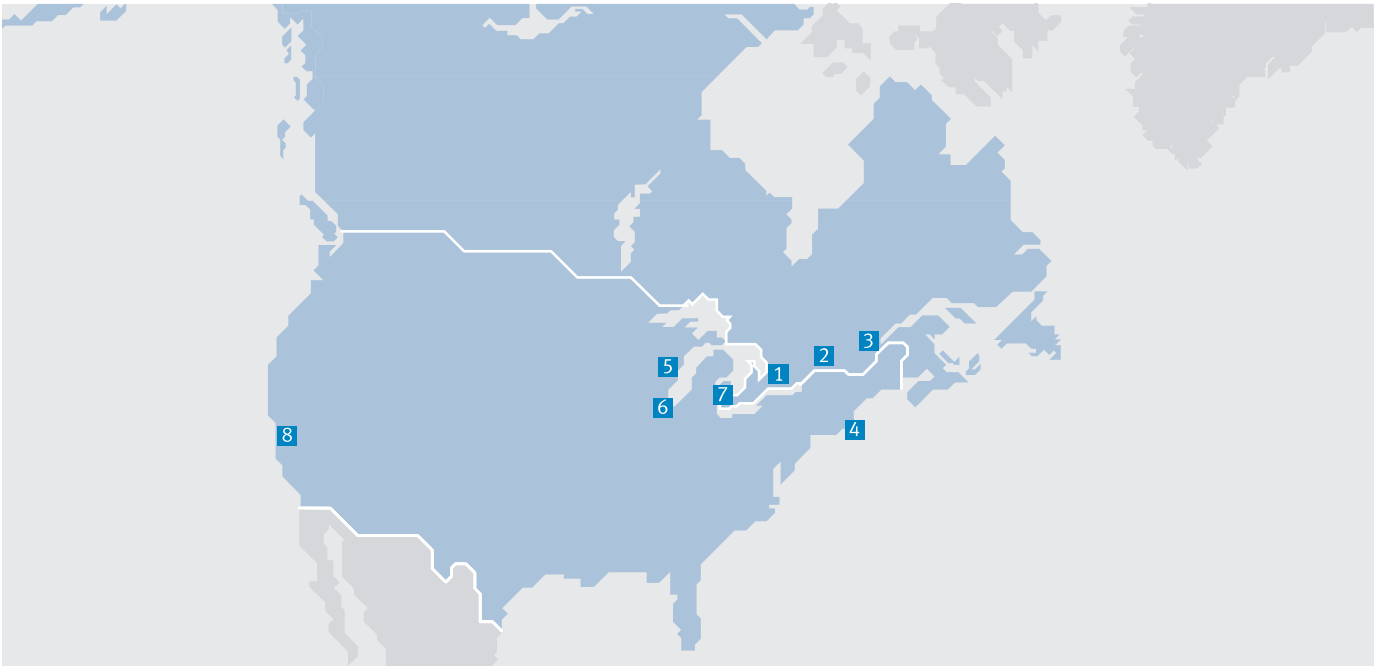


© Copyright 2013, Festo Corporation. While every effort is made to ensure that all dimensions and specifications are correct, Festo cannot guarantee that publications are completely free of any error, in particular typing or printing errors. Accordingly, Festo cannot be held responsible for the same. For Liability and Warranty conditions, refer to our "Terms and Conditions of Sale", available from your local Festo office. All rights reserved. No part of this publication may be reproduced, distributed, or transmitted in any form or by any means, electronic, mechanical, photocopying or otherwise, without the prior written permission of Festo. All technical data subject to change according to technical update.



Printed on recycled paper at New Horizon Graphic, Inc., FSC certified as an environmental friendly printing plant.

Festo North America



**1 Festo Canada
Headquarters
Festo Inc.**
5300 Explorer Drive
Mississauga, ON
L4W 5G4

2 Montréal
5600, Trans-Canada
Pointe-Claire, QC
H9R 1B6

3 Québec City
2930, rue Watt#117
Québec, QC
G1X 4G3



**4 Festo United States
Headquarters
Festo Corporation**
395 Moreland Road
Hauppauge, NY
11788

5 Appleton
North 922 Tower View Drive, Suite N
Greenville, WI
54942

7 Detroit
1441 West Long Lake Road
Troy, MI
48098

6 Chicago
85 W Algonquin - Suite 340
Arlington Heights, IL
60005

8 Silicon Valley
4935 Southfront Road, Suite F
Livermore, CA
94550

Festo Regional Contact Center

Canadian Customers

Commercial Support:
Tel: 1 877 GO FESTO (1 877 463 3786)
Fax: 1 877 FX FESTO (1 877 393 3786)
Email: festo.canada@ca.festo.com

Technical Support:
Tel: 1 866 GO FESTO (1 866 463 3786)
Fax: 1 877 FX FESTO (1 877 393 3786)
Email: technical.support@ca.festo.com

USA Customers

Commercial Support:
Tel: 1 800 99 FESTO (1 800 993 3786)
Fax: 1 800 96 FESTO (1 800 963 3786)
Email: customer.service@us.festo.com

Technical Support:
Tel: 1 866 GO FESTO (1 866 463 3786)
Fax: 1 800 96 FESTO (1 800 963 3786)
Email: product.support@us.festo.com