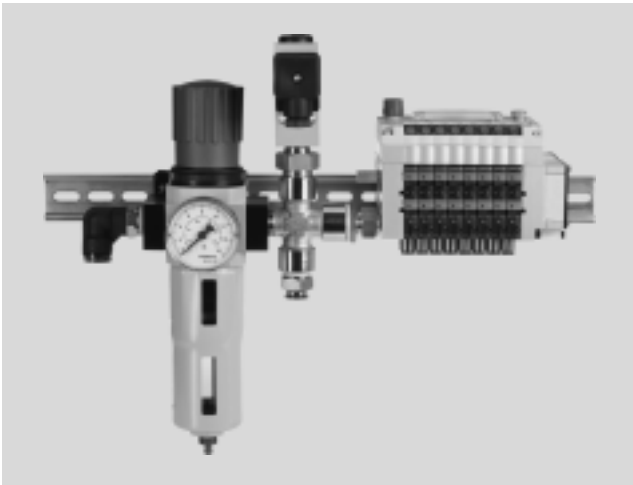


Assemblies

Ready-to-install solutions – Mounting plates and assemblies



- Pneumatic and electrical components pre-assembled to create a function unit
- Can be combined from around 30000 catalogue components
- Connections included
- For integration in machines

General information

The product range from Festo comprises about 30000 individual components, which can be pre-assembled to form a functional module. Accessories such as fittings and connections can also be assembled on the unit.

The sub-assembly can thus be installed directly in the system or in the higher-level system as a ready-to-install subsystem. A sub-assembly can be made up of a wide range of components. Typical combinations include:

- Cylinder/valve combinations
 - Components for compressed air preparation combined with valves
 - Valve manifolds
- Third-party components can be integrated and the sub-assembly can be mounted on a plate as required.

A complete functional test of the entire unit is carried out after completion. The sub-assembly is supplied ready-to-install.

Technical data

- Combination of various pneumatic and/or electrical components to create a single unit
- For a wide range of industrial applications

- Application-specific combination of components
- Optional: Accessories mounted on sub-assembly
- Use of the latest innovations and technologies

- Ready-to-install: All steps from engineering and assembly to quality inspection are carried out by Festo specialists
- Fully tested, with test certificate
- Complete documentation

- Design conforms to:
 - EN 60204-1
 - ATEX zone 1 and 21 (pneumatic only), ATEX zone 2 and 22 (electric and electro-pneumatic)
 - UL-508A
- Implementation of safety functions

Ready-to-install – the benefits to you

Ordering

Just one order number for the entire solution.

Production and assembly

The entire production and assembly process, including wiring and connection, is taken care of for you. Connections to the system can be pre-installed on the sub-assembly if required.

Checking and testing

The sub-assembly is fully tested.

Documentation

You receive detailed system documentation, which you can quickly and easily integrate into your overall documentation:

- Assembly drawing
- Bill of materials
- Circuit diagrams
- Operating instructions for components

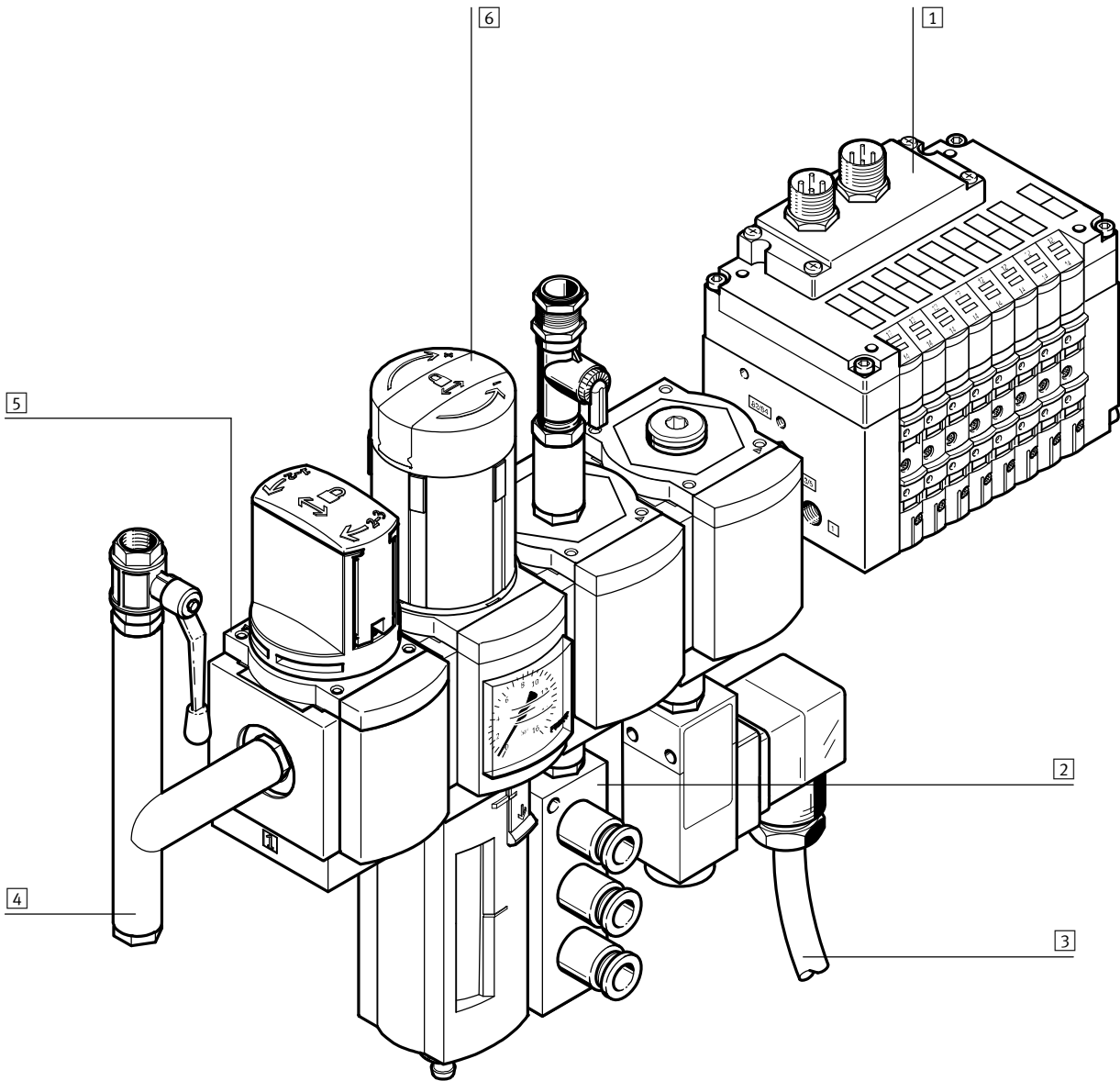
Interested in sub-assemblies?

Ask your Festo sales engineer, who will be happy to help. Or visit your website at www.festo.com, where you will find further information on ready-to-install solutions.

Assemblies

Ready-to-install solutions – Mounting plates and assemblies

FESTO



- | | | | |
|------------------------------|-----------------------------|------------------------------|-------------------------------|
| 1 Valves and valve terminals | 3 Tubing, wiring and piping | 4 Outputs | 6 Compressed air preparation |
| 2 Other pneumatic components | – Number of wires | – Pneumatic | – MS series |
| – Cylinders | – Cross section | – Electrical | – D series |
| – Pressure regulators | – Cable harness/individual | – Multi-pin interfaces | – Customised configuration of |
| – Pressure gauges | cables | 5 Mounting options | modules |
| – Third-party components | – Cable inscription | – For mounting in the system | |
| – Connections | | | |
| – Sensors | | | |
| – Servopneumatics | | | |
| – etc. | | | |