

## Push-in fittings QB, Quick Basic, Hybrid Series

**FESTO**



## Push-in Fittings QB, Quick Basic, Hybrid Series

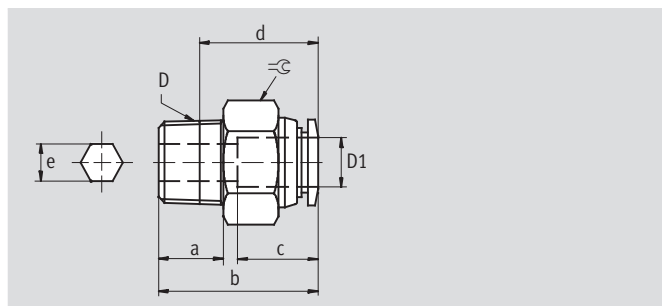
FESTO

### Push-in fitting QB

M5 threads without internal hex,  
with inch tubing connection

R threads with internal hex,  
with inch tubing connection

Easy adaptation of inch  
tubing to metric component



Dimensions and ordering data											
Threaded Connection D	Nominal Ø [in]	For Inch Tubing O.D. D1	Weight [oz / g]	Dimensions [in]						Part No.	Type
				a	b	c	d	e	≡		
M5	0.079	1/8	0.124 / 3.5	0.157	0.669	0.433	–	–	8	533209	QBM-M5-1/8-U-M
		5/32	0.346 / 9.8	0.157	0.843	0.638	–	–	12	533210	QB-M5-5/32-U-M
		3/16	0.314 / 8.9	0.157	0.866	0.661	–	–	12	533211	QB-M5-3/16-U-M
		1/4	0.423 / 12.0	0.157	0.913	0.681	–	–	13	533212	QB-M5-1/4-U-M
R1/8	0.079	1/8	0.279 / 7.9	0.315	0.705	0.433	0.508	–	10	533213	QBM-1/8-1/8-U-M
		5/32	0.289 / 8.2	0.315	0.748	0.638	0.551	0.118	12	533214	QB-1/8-5/32-U-M
		3/16	0.381 / 10.8	0.315	0.890	0.661	0.693	0.118	12	533215	QB-1/8-3/16-U-M
		1/4	0.374 / 10.6	0.315	0.917	0.681	0.720	0.157	13	533216	QB-1/8-1/4-U-M
		5/16	0.519 / 14.7	0.315	1.091	0.717	0.894	0.197	14	533217	QB-1/8-5/16-U-M
R1/4	0.122	3/16	0.571 / 16.2	0.394	0.890	0.661	0.634	0.118	14	533218	QB-1/4-3/16-U-M
		1/4	0.494 / 14.0	0.394	0.894	0.681	0.638	0.157	14	533219	QB-1/4-1/4-U-M
		5/16	0.515 / 14.6	0.394	1.044	0.717	0.748	0.236	14	533220	QB-1/4-5/16-U-M
		3/8	0.829 / 23.5	0.394	1.205	0.783	0.949	0.236	17	533221	QB-1/4-3/8-U-M
R3/8	0.165	1/4	0.935 / 26.5	0.433	0.933	0.681	0.657	0.157	17	533222	QB-3/8-1/4-U-M
		5/16	0.804 / 22.8	0.433	0.945	0.717	0.669	0.236	17	533223	QB-3/8-5/16-U-M
		3/8	0.667 / 18.9	0.433	0.976	0.783	0.701	0.315	17	533224	QB-3/8-3/8-U-M
		1/2	1.273 / 36.1	0.433	1.236	0.906	0.961	0.394	22	533225	QB-3/8-1/2-U-M
R1/2	0.331	3/8	1.637 / 46.4	0.551	1.134	0.783	0.780	0.315	22	533226	QB-1/2-3/8-U-M
		1/2	1.560 / 44.2	0.551	1.236	0.906	0.862	0.394	22	533227	QB-1/2-1/2-U-M

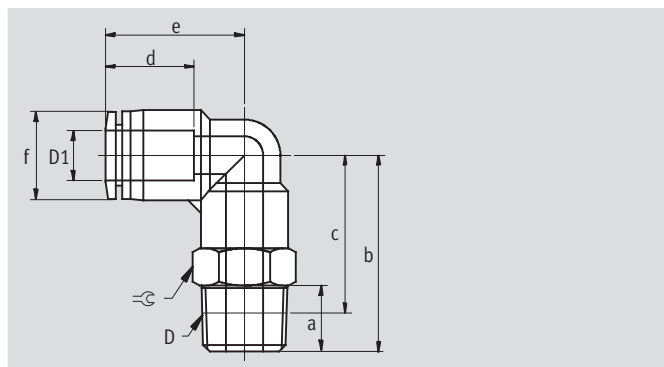
# Push-in Fittings QB, Quick Basic, Hybrid Series



## Push-in L-fitting QBL

Male thread  
with external hex  
M5 or R threads with  
inch tubing connection

Easy adaptation of inch  
tubing to metric components



Dimensions and ordering data												
Threaded Connection D	Nominal Ø [in]	For Inch Tubing O.D. D1	Weight oz / g	Dimensions [in]							Part No.	Type
				a	b	c	d	e	f	≅ size in mm		
M5	0.098	1/8	0.145 / 4.1	0.157	0.669	–	0.433	0.528	0.303	8	533228	QBML-M5-1/8-U-M
	0.098	5/32	0.286 / 8.1	0.157	0.843	–	0.638	0.732	0.413	10	533229	QBL-M5-5/32-U-M
	0.118	3/16	0.310 / 8.8	0.157	0.921	–	0.661	0.752	0.453	10	533230	QBL-M5-3/16-U-M
	0.098	1/4	0.476 / 13.5	0.157	1.020	–	0.681	0.803	0.512	12	533231	QBL-M5-1/4-U-M
R1/8	0.098	1/8	0.254 / 7.2	0.315	0.760	0.563	0.433	0.528	0.303	10	533232	QBML-1/8-1/8-U-M
	0.118	5/32	0.332 / 9.4	0.315	0.965	0.768	0.638	0.732	0.413	10	533233	QBL-1/8-5/32-U-M
	0.118	3/16	0.356 / 10.1	0.315	0.965	0.768	0.661	0.752	0.453	10	533234	QBL-1/8-3/16-U-M
	0.177	1/4	0.519 / 14.7	0.315	1.055	0.858	0.681	0.803	0.512	12	533235	QBL-1/8-1/4-U-M
	0.236	5/16	0.603 / 17.1	0.315	1.098	0.902	0.717	0.878	0.571	14	533236	QBL-1/8-5/16-U-M
R1/4	0.118	3/16	0.557 / 15.8	0.394	1.043	0.787	0.661	0.752	0.453	14	533237	QBL-1/4-3/16-U-M
	0.177	1/4	0.681 / 19.3	0.394	1.181	0.925	0.681	0.803	0.512	14	533238	QBL-1/4-1/4-U-M
	0.236	5/16	0.723 / 20.5	0.394	1.217	0.961	0.717	0.878	0.571	14	533239	QBL-1/4-5/16-U-M
	0.315	3/8	1.086 / 30.8	0.394	1.240	0.981	0.783	0.941	0.689	17	533240	QBL-1/4-3/8-U-M
R3/8	0.177	1/4	0.945 / 26.8	0.433	1.220	0.945	0.681	0.803	0.512	17	533241	QBL-3/8-1/4-U-M
	0.236	5/16	0.998 / 28.3	0.433	1.256	0.980	0.717	0.878	0.571	17	533242	QBL-3/8-5/16-U-M
	0.315	3/8	1.210 / 34.3	0.433	1.280	1.004	0.783	0.941	0.689	17	533243	QBL-3/8-3/8-U-M
	0.394	1/2	1.475 / 41.8	0.433	1.417	1.142	0.906	1.122	0.827	19	533244	QBL-3/8-1/2-U-M
R1/2	0.315	3/8	1.848 / 52.4	0.551	1.398	1.043	0.783	0.941	0.689	22	533245	QBL-1/2-3/8-U-M
	0.394	1/2	1.873 / 53.1	0.551	1.535	1.181	0.906	1.122	0.827	22	533246	QBL-1/2-1/2-U-M

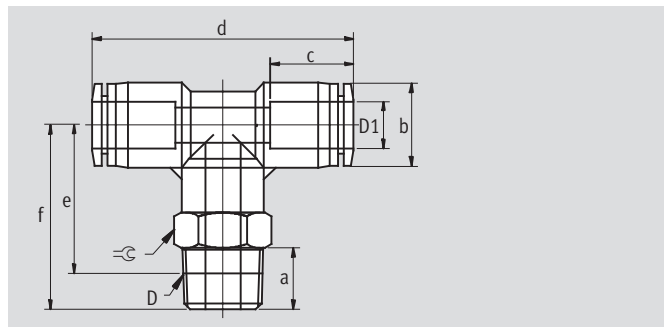
## Push-in Fittings QB, Quick Basic, Hybrid Series

FESTO

### Push-in T-fitting QBT

Male thread  
with external hex  
M5 or R threads with  
inch tubing connection

Easy adaptation of inch  
tubing to metric components



Dimensions and ordering data												
Threaded Connection D	Nominal Ø [in]	For Inch Tubing O.D. D1	Weight oz / g	Dimensions [in]							Part No.	Type
				a	b	c	d	e	f	≅		
M5	0.098	1/8	0.173 / 4.9	0.157	0.303	0.433	1.055	-	0.669	8	533247	QBMT-M5-1/8-U-M
	0.098	5/32	0.363 / 10.3	0.157	0.413	0.638	1.469	-	0.843	10	533248	QBT-M5-5/32-U-M
	0.118	3/16	0.420 / 11.9	0.157	0.453	0.661	1.504	-	0.921	10	533249	QBT-M5-3/16-U-M
	0.098	1/4	0.579 / 16.4	0.157	0.512	0.681	1.606	-	1.020	12	533250	QBT-M5-1/4-U-M
R1/8	0.098	1/8	0.289 / 8.2	0.315	0.303	0.433	1.055	0.563	0.760	10	533251	QBMT-1/8-1/8-U-M
	0.118	5/32	0.399 / 11.3	0.315	0.413	0.638	1.469	0.768	0.965	10	533252	QBT-1/8-5/32-U-M
	0.118	3/16	0.452 / 12.8	0.315	0.453	0.661	1.504	0.768	0.965	10	533253	QBT-1/8-3/16-U-M
	0.177	1/4	0.635 / 18.0	0.315	0.512	0.681	1.606	0.858	1.055	12	533254	QBT-1/8-1/4-U-M
	0.236	5/16	0.723 / 20.5	0.315	0.571	0.717	1.756	0.902	1.098	14	533255	QBT-1/8-5/16-U-M
R1/4	0.118	3/16	0.646 / 18.3	0.394	0.453	0.661	1.504	0.787	1.043	14	533256	QBT-1/4-3/16-U-M
	0.177	1/4	0.794 / 22.5	0.394	0.512	0.681	1.606	0.925	1.181	14	533257	QBT-1/4-1/4-U-M
	0.236	5/16	0.843 / 23.9	0.394	0.571	0.717	1.756	0.961	1.217	14	533258	QBT-1/4-5/16-U-M
	0.315	3/8	1.302 / 36.9	0.394	0.689	0.783	1.878	0.984	1.240	17	533259	QBT-1/4-3/8-U-M
R3/8	0.177	1/4	1.062 / 30.1	0.433	0.512	0.681	1.606	0.945	1.220	17	533260	QBT-3/8-1/4-U-M
	0.236	5/16	1.122 / 31.8	0.433	0.571	0.717	1.756	0.980	1.256	17	533261	QBT-3/8-5/16-U-M
	0.315	3/8	1.422 / 40.3	0.433	0.689	0.783	1.878	1.004	1.280	17	533262	QBT-3/8-3/8-U-M
	0.394	1/2	1.781 / 50.5	0.433	0.827	0.906	2.224	1.142	1.417	19	533263	QBT-3/8-1/2-U-M
R1/2	0.315	3/8	2.060 / 58.4	0.551	0.689	0.783	1.878	1.043	1.398	22	533264	QBT-1/2-3/8-U-M
	0.394	1/2	2.184 / 61.9	0.551	0.827	0.906	2.224	1.181	1.535	22	533265	QBT-1/2-1/2-U-M

# Product Range and Company Overview

## A Complete Suite of Automation Services

Our experienced engineers provide complete support at every stage of your development process, including: conceptualization, analysis, engineering, design, assembly, documentation, validation, and production.



**Custom Automation Components**  
Complete custom engineered solutions



**Custom Control Cabinets**  
Comprehensive engineering support and on-site services



**Complete Systems**  
Shipment, stocking and storage services

## The Broadest Range of Automation Components

With a comprehensive line of more than 30,000 automation components, Festo is capable of solving the most complex automation requirements.



**Electromechanical**  
Electromechanical actuators, motors, controllers & drives



**Pneumatics**  
Pneumatic linear and rotary actuators, valves, and air supply



**PLCs and I/O Devices**  
PLC's, operator interfaces, sensors and I/O devices

## Supporting Advanced Automation... As No One Else Can!

Festo is a leading global manufacturer of pneumatic and electromechanical systems, components and controls for industrial automation, with more than 12,000 employees in 56 national headquarters serving more than 180 countries. For more than 80 years, Festo has continuously elevated the state of manufacturing with innovations and optimized motion control solutions that deliver higher performing, more profitable automated manufacturing and processing equipment. Our dedication to the advancement of automation extends beyond technology to the education and development of current and future automation and robotics designers with simulation tools, teaching programs, and on-site services.

## Quality Assurance, ISO 9001 and ISO 14001 Certifications

Festo Corporation is committed to supply all Festo products and services that will meet or exceed our customers' requirements in product quality, delivery, customer service and satisfaction.

To meet this commitment, we strive to ensure a consistent, integrated, and systematic approach to management that will meet or exceed the requirements of the ISO 9001 standard for Quality Management and the ISO 14001 standard for Environmental Management.



© Copyright 2008, Festo Corporation. While every effort is made to ensure that all dimensions and specifications are correct, Festo cannot guarantee that publications are completely free of any error, in particular typing or printing errors. Accordingly, Festo cannot be held responsible for the same. For Liability and Warranty conditions, refer to our "Terms and Conditions of Sale", available from your local Festo office. All rights reserved. No part of this publication may be reproduced, distributed, or transmitted in any form or by any means, electronic, mechanical, photocopying or otherwise, without the prior written permission of Festo. All technical data subject to change according to technical update.



Printed on recycled paper at New Horizon Graphic, Inc., FSC certified as an environmentally friendly printing plant.

# Festo North America

## Festo Regional Contact Center

5300 Explorer Drive  
Mississauga, Ontario L4W 5G4  
Canada

### USA Customers:

For ordering assistance,  
**Call:** 1.800.99.FESTO (1.800.993.3786)  
**Fax:** 1.800.96.FESTO (1.800.963.3786)  
**Email:** customer.service@us.festo.com

For technical support,  
**Call:** 1.866.GO.FESTO (1.866.463.3786)  
**Fax:** 1.800.96.FESTO (1.800.963.3786)  
**Email:** product.support@us.festo.com

### Canadian Customers:

**Call:** 1.877.GO.FESTO (1.877.463.3786)  
**Fax:** 1.877.FX.FESTO (1.877.393.3786)  
**Email:** festo.canada@ca.festo.com

---

## USA Headquarters

Festo Corporation  
395 Moreland Road  
P.O. Box 18023  
Hauppauge, NY 11788, USA  
[www.festo.com/us](http://www.festo.com/us)

---

## USA Sales Offices

### Appleton

North 922 Tower View Drive, Suite N  
Greenville, WI 54942, USA

### Boston

120 Presidential Way, Suite 330  
Woburn, MA 01801, USA

### Chicago

1441 East Business Center Drive  
Mt. Prospect, IL 60056, USA

### Dallas

1825 Lakeway Drive, Suite 600  
Lewisville, TX 75057, USA

### Detroit – Automotive Engineering Center

2601 Cambridge Court, Suite 320  
Auburn Hills, MI 48326, USA

### New York

395 Moreland Road  
Hauppauge, NY 11788, USA

### Silicon Valley

4935 Southfront Road, Suite F  
Livermore, CA 94550, USA

## United States



**USA Headquarters, East:** Festo Corp., 395 Moreland Road, Hauppauge, NY 11788  
Phone: 1.631.435.0800; Fax: 1.631.435.8026;  
Email: [info@festo-usa.com](mailto:info@festo-usa.com) [www.festo.com/us](http://www.festo.com/us)

## Canada



**Headquarters:** Festo Inc., 5300 Explorer Drive, Mississauga, Ontario L4W 5G4  
Phone: 1.905.624.9000; Fax: 1.905.624.9001;  
Email: [festo.canada@ca.festo.com](mailto:festo.canada@ca.festo.com) [www.festo.ca](http://www.festo.ca)

## Mexico



**Headquarters:** Festo Pneumatic, S.A., Av. Ceylán 3, Col. Tequesquihuac,  
54020 Tlalnepanitla, Edo. de México  
Phone: 011 52 [55] 53 21 66 00; Fax: 011 52 [55] 53 21 66 65;  
Email: [festo.mexico@mx.festo.com](mailto:festo.mexico@mx.festo.com) [www.festo.com/mx](http://www.festo.com/mx)

---

## Central USA

Festo Corporation  
1441 East Business  
Center Drive  
Mt. Prospect, IL 60056, USA  
Phone: 1.847.759.2600  
Fax: 1.847.768.9480



## Western USA

Festo Corporation  
4935 Southfront Road,  
Suite F  
Livermore, CA 94550, USA  
Phone: 1.925.371.1099  
Fax: 1.925.245.1286



---

## Festo Worldwide

Argentina Australia Austria Belarus Belgium Brazil Bulgaria Canada Chile China Colombia Croatia Czech Republic Denmark  
Estonia Finland France Germany Great Britain Greece Hong Kong Hungary India Indonesia Iran Ireland Israel Italy Japan Latvia  
Lithuania Malaysia Mexico Netherlands New Zealand Norway Peru Philippines Poland Romania Russia Serbia Singapore  
Slovakia Slovenia South Africa South Korea Spain Sweden Switzerland Taiwan Thailand Turkey Ukraine United States Venezuela

[www.festo.com](http://www.festo.com)