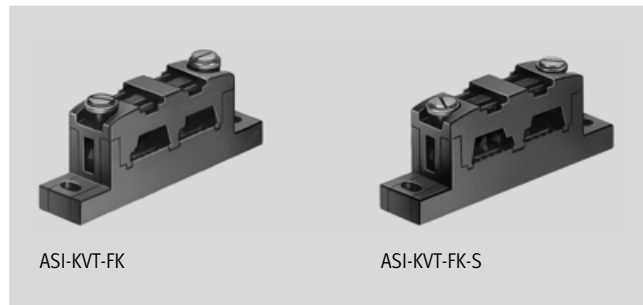


Electrical connection technology, for AS-interface

Technical data

Cable distributor ASI-KVT-FK

- Flat cable distributor for branching the AS-interface network at any desired point
- For parallel or symmetrical cable installation
- Reverse polarity protected



ASI-KVT-FK

ASI-KVT-FK-S

| General technical data | | |
|--------------------------|--------------------|------------------------------------|
| Mounting position | | Any |
| Type of mounting | | Via through-hole |
| Operating voltage range | [V AC] | 0 ... 60 |
| | [V DC] | 0 ... 75 |
| Acceptable current load | [A] | 3 |
| Connection type | | Insulation displacement technology |
| Connection cross section | [mm ²] | 1.5 |
| Protection class | | IP65 (fully assembled) |
| Product weight | [g] | 7.2 |

| Materials | |
|--------------|--------|
| Housing | PA |
| Pin contacts | Bronze |

| Operating and environmental conditions | | |
|--|------|-------------|
| Ambient temperature with flexible cable installation | [°C] | -5 ... +50 |
| Storage temperature | [°C] | -30 ... +85 |

Electrical connection technology, for AS-interface

Technical data

Dimensions Download CAD data → www.festo.com

ASI-KVT-FK

- 1 Contact pins for flat cable contacting
- 2 Mounting option for inscription labels IBS-6x10

| Type | B1 | B2 | D1 | H1 | H2 | L1 | L2 | L3 |
|------------|----|----|-----|------|-----|----|----|----|
| ASI-KVT-FK | 10 | 5 | 3.2 | 16.5 | 4.5 | 47 | 40 | 26 |

ASI-KVT-FK-S

- 1 Contact pins for flat cable contacting
- 2 Mounting option for inscription labels IBS-6x10

| Type | B1 | B2 | D1 | H1 | H2 | L1 | L2 | L3 |
|--------------|----|----|-----|------|-----|----|----|----|
| ASI-KVT-FK-S | 10 | 5 | 3.2 | 16.5 | 4.5 | 47 | 40 | 26 |

| Ordering data | | Part No. | Type |
|-------------------------------|--|--------------|---------------------|
| Parallel cable throughfeed | | 18786 | ASI-KVT-FK |
| Symmetrical cable throughfeed | | 18797 | ASI-KVT-FK-S |

| Ordering data – Accessories | | | |
|-----------------------------|--|--------------|-----------------|
| | Description | Part No. | Type |
| | Inscription labels 6x10 mm, 64 pieces, in frames | 18576 | IBS-6x10 |

Electrical connection technology, for AS-interface

Technical data

Cable distributor ASI-KVT-FKx2

- Flat cable distributor for reconnecting from AS-interface flat cable to 4-pin M12 socket
- 2 connections: M12 socket with permanently attached cable (1 m long) and M12 socket integrated in housing
- Reverse polarity protected



| General technical data | | |
|--|--------|---|
| Mounting position | | Any |
| Type of mounting | | Via through-hole Optionally via H-rail |
| AS-interface connection | | AS-interface flat cable plug (must be ordered separately) M12x1 socket, 4-pin, A-coded |
| Nominal operating voltage for AS-interface | [V DC] | 26.5 |
| Operating voltage range for AS-interface | [V DC] | 26.5 ... 31.6 |
| Nominal operating voltage for load voltage | [V DC] | 24 |
| Operating voltage range for load voltage | [V DC] | 20.4 ... 26.4 |
| Protection class to EN 60529 | | IP65 (fully assembled) |
| Cable length | [mm] | 1,000 |

| Materials | |
|-------------------|----------------|
| Housing | Reinforced PA |
| Cover | Reinforced PA |
| Seals | PUR |
| Note on materials | RoHS-compliant |

| Operating and environmental conditions | | |
|--|------|--|
| Ambient temperature | [°C] | -5 ... +50 |
| Storage temperature | [°C] | -20 ... +70 |
| Relative air humidity | [%] | 5 ... 90, non-condensing, in assembled state |
| CE marking (see declaration of conformity) | | To EU EMC Directive |

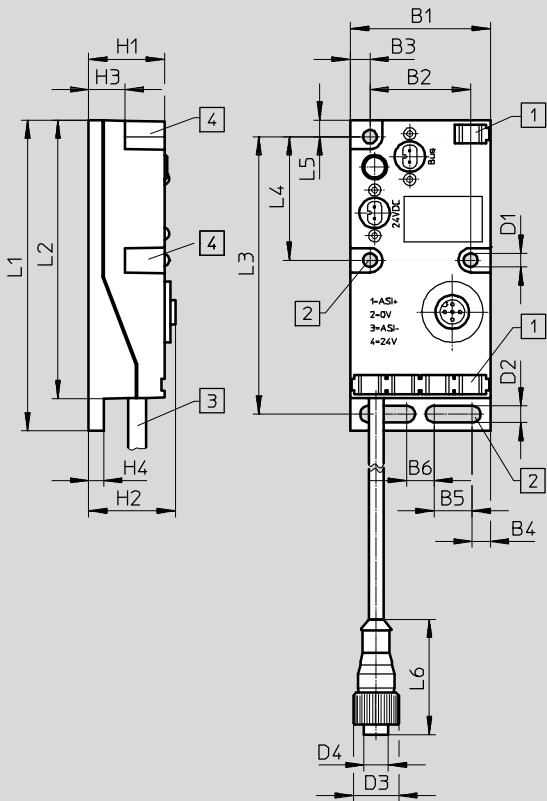
Electrical connection technology, for AS-interface

Technical data

Dimensions

Download CAD data → www.festo.com

ASI-KVT-FKx2-M12



- 1 Mounting option for inscription labels IBS-6x10
- 2 Mounting holes for surface mounting
- 3 Cable PUR-OB, 1,000 mm long
- 4 Mounting holes for ITEM profile 40 mm or other mounting option

| Type | B1 | B2 | B3 | B4 | B5 | B6 | D1 | D2 | D3 | D4 |
|------------------|----|----|-----|----|------|----|----------|-----|---------|-----|
| ASI-KVT-FKx2-M12 | 46 | 33 | 6.5 | 6 | 12.5 | 9 | 4.5 ∅ | 5.5 | 15 ∅ | M12 |

| Type | H1 | H2 | H3 | H4 | L1 | L2 | L3 | L4 | L5 | L6 |
|------------------|------------|------|----|----|-----|------|----|------|-----|----|
| ASI-KVT-FKx2-M12 | 25 +0.3 | 28.5 | 12 | 5 | 102 | 91.4 | 91 | 40.5 | 5.5 | 38 |

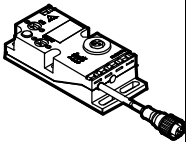
Pin allocation

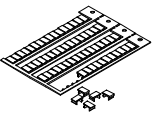
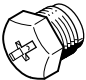
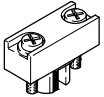
AS-interface and auxiliary power supply | Pin | Signal | Pin | 5-pin M12 socket and socket at the cable

| | | | | | |
|--|---------------------------|--------|---------------------------|---|--|
| | 1 AS-interface bus | 1 | AS-interface + | 1 | |
| | | 2 | AS-interface - | 3 | |
| | 2 Additional power supply | 1 | 0 V (additional supply) | 2 | |
| | | 2 | +24 V (additional supply) | 4 | |
| | | Unused | 5 | | |

Electrical connection technology, for AS-interface

Technical data

| Ordering data | | Product weight [g] | Part No. | Type |
|---|--|-----------------------|---------------|-------------------------|
|  | Flat cable distributor for reconnecting from AS-interface flat cable to 4-pin M12 socket | 190 | 527474 | ASI-KVT-FKx2-M12 |

| Ordering data – Accessories | | | | |
|--|--|---------------|---------------------|--|
| | Description | Part No. | Type | |
|  | Inscription labels 6x10 mm, 64 pieces, in frames | 18576 | IBS-6x10 | |
|  | 10 plugs for (non-pressure-tight) sealing of openings with M12 female thread | 165592 | ISK-M12 | |
|  | Mounted using 2x M2.5x6 screws For sealing unused flat cable connections | 196090 | ASI-SD-FK-BL | |

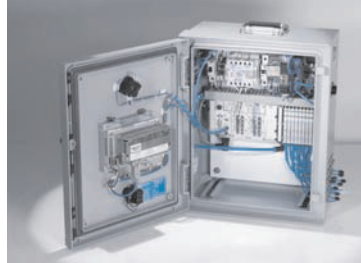
Product Range and Company Overview

A Complete Suite and Company Overview

Our experienced engineers provide complete support at every stage of your development process, including: conceptualization, analysis, engineering, design, assembly, documentation, validation, and production.



Custom Automation Components
Complete custom engineered solutions



Custom Control Cabinets
Comprehensive engineering support and on-site services



Complete Systems
Shipment, stocking and storage services

The Broadest Range of Automation Components

With a comprehensive line of more than 30,000 automation components, Festo is capable of solving the most complex automation requirements.



Electromechanical
Electromechanical actuators, motors, controllers & drivers



Pneumatics
Pneumatic linear and rotary actuators, valves, and air supply



PLCs and I/O Devices
PLC's, operator interfaces, sensors and I/O devices

Supporting Advanced Automation... As No One Else Can!

Festo is a leading global manufacturer of pneumatic and electromechanical systems, components and controls for industrial automation, with more than 16,000 employees in 60 national headquarters serving more than 180 countries. For more than 80 years, Festo has continuously elevated the state of manufacturing with innovations and optimized motion control solutions that deliver higher performing, more profitable automated manufacturing and processing equipment. Our dedication to the advancement of automation extends beyond technology to the education and development of current and future automation and robotics designers with simulation tools, teaching programs, and on-site services.

Quality Assurance, ISO 9001 and ISO 14001 Certifications

Festo Corporation is committed to supply all Festo products and services that will meet or exceed our customers' requirements in product quality, delivery, customer service and satisfaction.

To meet this commitment, we strive to ensure a consistent, integrated, and systematic approach to management that will meet or exceed the requirements of the ISO 9001 standard for Quality Management and the ISO 14001 standard for Environmental Management.

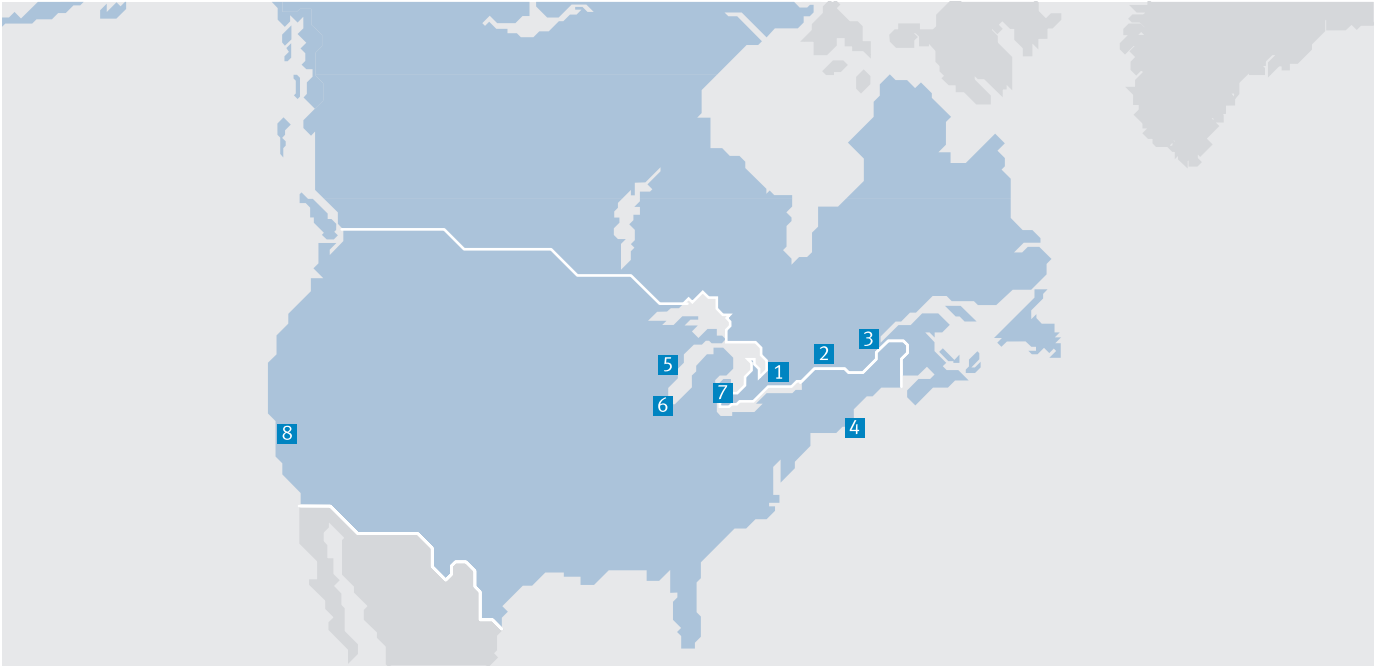


© Copyright 2013, Festo Corporation. While every effort is made to ensure that all dimensions and specifications are correct, Festo cannot guarantee that publications are completely free of any error, in particular typing or printing errors. Accordingly, Festo cannot be held responsible for the same. For Liability and Warranty conditions, refer to our "Terms and Conditions of Sale", available from your local Festo office. All rights reserved. No part of this publication may be reproduced, distributed, or transmitted in any form or by any means, electronic, mechanical, photocopying or otherwise, without the prior written permission of Festo. All technical data subject to change according to technical update.



Printed on recycled paper at New Horizon Graphic, Inc., FSC certified as an environmental friendly printing plant.

Festo North America



**1 Festo Canada
Headquarters
Festo Inc.**
5300 Explorer Drive
Mississauga, ON
L4W 5G4

2 Montréal
5600, Trans-Canada
Pointe-Claire, QC
H9R 1B6

3 Québec City
2930, rue Watt#117
Québec, QC
G1X 4G3



**4 Festo United States
Headquarters
Festo Corporation**
395 Moreland Road
Hauppauge, NY
11788

5 Appleton
North 922 Tower View Drive, Suite N
Greenville, WI
54942

7 Detroit
1441 West Long Lake Road
Troy, MI
48098

6 Chicago
85 W Algonquin - Suite 340
Arlington Heights, IL
60005

8 Silicon Valley
4935 Southfront Road, Suite F
Livermore, CA
94550

Festo Regional Contact Center

Canadian Customers

Commercial Support:
Tel: 1 877 GO FESTO (1 877 463 3786)
Fax: 1 877 FX FESTO (1 877 393 3786)
Email: festo.canada@ca.festo.com

Technical Support:
Tel: 1 866 GO FESTO (1 866 463 3786)
Fax: 1 877 FX FESTO (1 877 393 3786)
Email: technical.support@ca.festo.com

USA Customers

Commercial Support:
Tel: 1 800 99 FESTO (1 800 993 3786)
Fax: 1 800 96 FESTO (1 800 963 3786)
Email: customer.service@us.festo.com

Technical Support:
Tel: 1 866 GO FESTO (1 866 463 3786)
Fax: 1 800 96 FESTO (1 800 963 3786)
Email: product.support@us.festo.com

Subject to change

Internet: www.festo.com/us