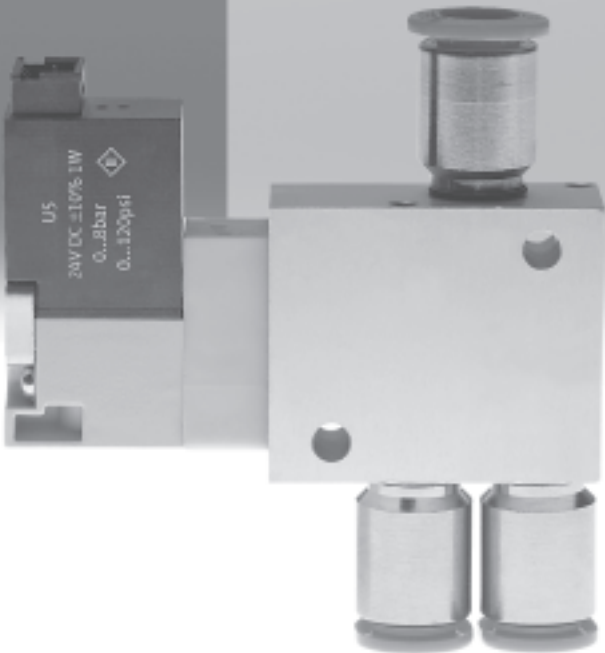


Valve series VOVG



Solenoid valves VOVG

Product range overview



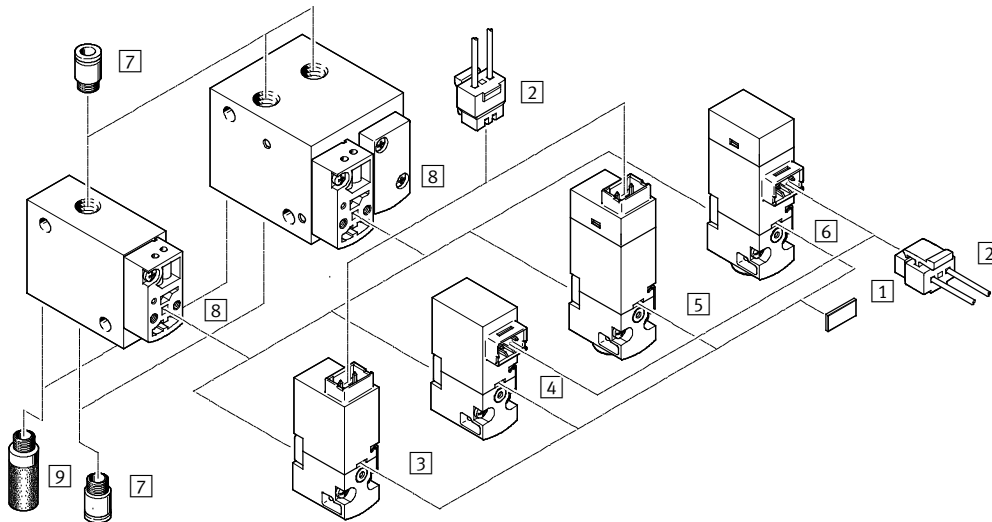
Function	Symbol	Version	Normally		Voltage [V DC]			→ Page/ Internet
			open	closed	5	12	24	
3/2-way valve		In-line valve	■	■	■	■	■	8/vovg
		Semi in-line valve	■	■	■	■	■	
		Sub-base valve	■	■	■	■	■	
5/2-way valve		In-line valve	-	-	■	■	■	
		Semi in-line valve	-	-	■	■	■	
		Sub-base valve	-	-	■	■	■	

Mounting options					
Voltage [V DC]		5	12	24	
Signal status display		None	None	None	Via LED
Horizontal plug connection (H2)					
	Direct mounting	■	■	■	■
	Manifold assembly	■	■	■	■
Vertical plug connection (H3)					
	Direct mounting	■	■	■	■
	Manifold assembly	■	■	■	■

Solenoid valves VOVG

Peripherals overview

In-line valve



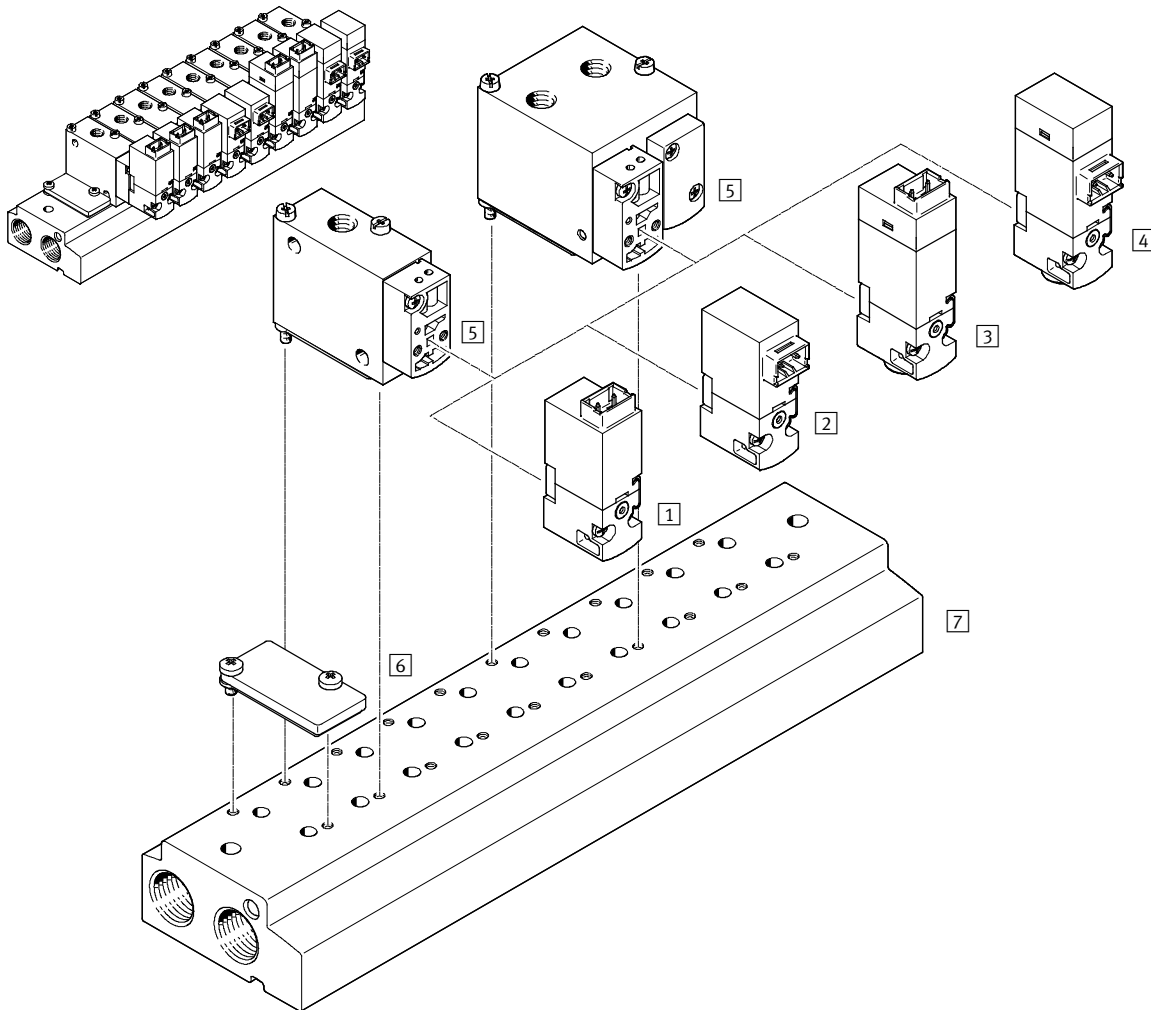
Component parts				
	Type	Brief description	→ Page/ Internet	
1	Inscription label	MH-BZ-80X	For identifying the solenoid valves	19
2	Plug socket with cable	KMH	For solenoid coils	19
3	Pilot valve	-	Sub-assembly of the solenoid valve VOVG with vertical plug connection	8
4	Pilot valve	-	Sub-assembly of the solenoid valve VOVG with horizontal plug connection	
5	Pilot valve	-	Sub-assembly of the solenoid valve VOVG with vertical plug connection and LED	
6	Pilot valve	-	Sub-assembly of the solenoid valve VOVG with horizontal plug connection and LED	
7	Push-in fitting	QS/QSM	For standard O.D. tubing	18
8	Basic valves	-	Sub-assemblies of the solenoid valves VOVG	8
9	Silencer	U	For fitting on exhaust ports	18

Solenoid valves VOVG

System overview

FESTO

Manifold assembly – Semi in-line valves

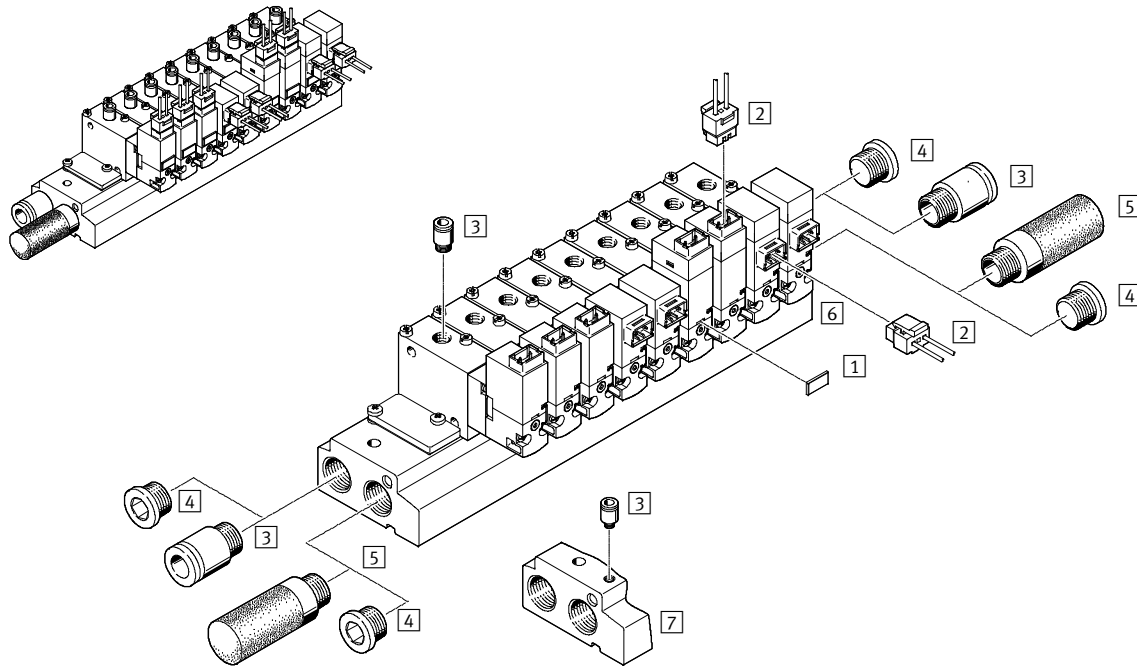


Component parts			
	Type	Brief description	→ Page/ Internet
1	–	Sub-assembly of the solenoid valve VOVG with vertical plug connection	8
2	–	Sub-assembly of the solenoid valve VOVG with horizontal plug connection	
3	–	Sub-assembly of the solenoid valve VOVG with vertical plug connection and LED	
4	–	Sub-assembly of the solenoid valve VOVG with horizontal plug connection and LED	
5	–	Sub-assemblies of the solenoid valves VOVG	
6	VABB-C7-12-W	For vacant positions	18
7	VABM-C7-...	For semi in-line valves	16

Solenoid valves VOVG

Peripherals overview

Manifold assembly – Semi in-line valves with accessories



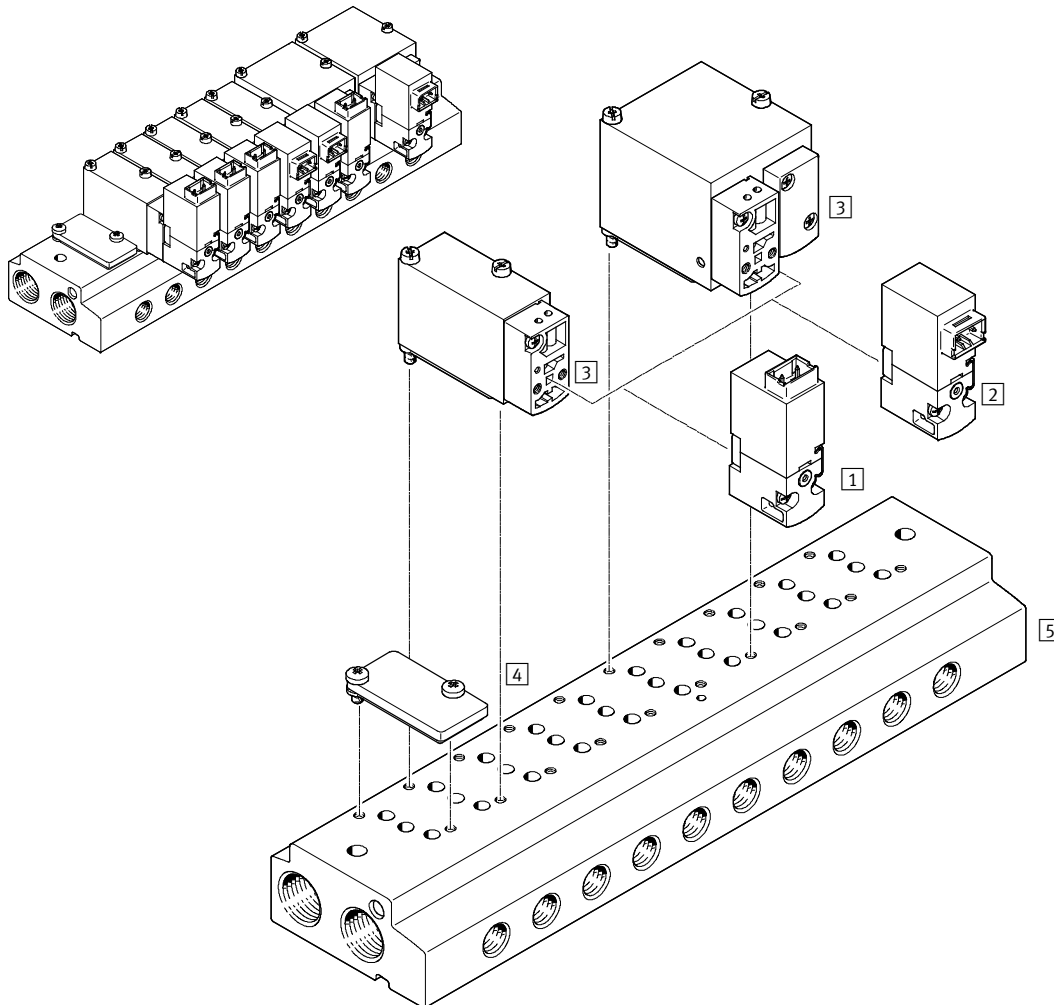
Component parts			
	Type	Brief description	→ Page/ Internet
1	MH-BZ-80X	Inscription label For identifying the solenoid valves	19
2	KMH	Plug socket with cable For solenoid coils	19
3	QS/QSM	Push-in fitting For standard O.D. tubing	18
4	B	Blanking plug For sealing unused ports	18
5	U	Silencer For fitting on exhaust ports	18
6	VABM-...-P...	Manifold rail Without port for external pilot air for valves with internal pilot air supply	16
7	VABM-...-G...	Manifold rail With port for external pilot air	16

Solenoid valves VOVG

System overview

FESTO

Manifold assembly – Sub-base valves

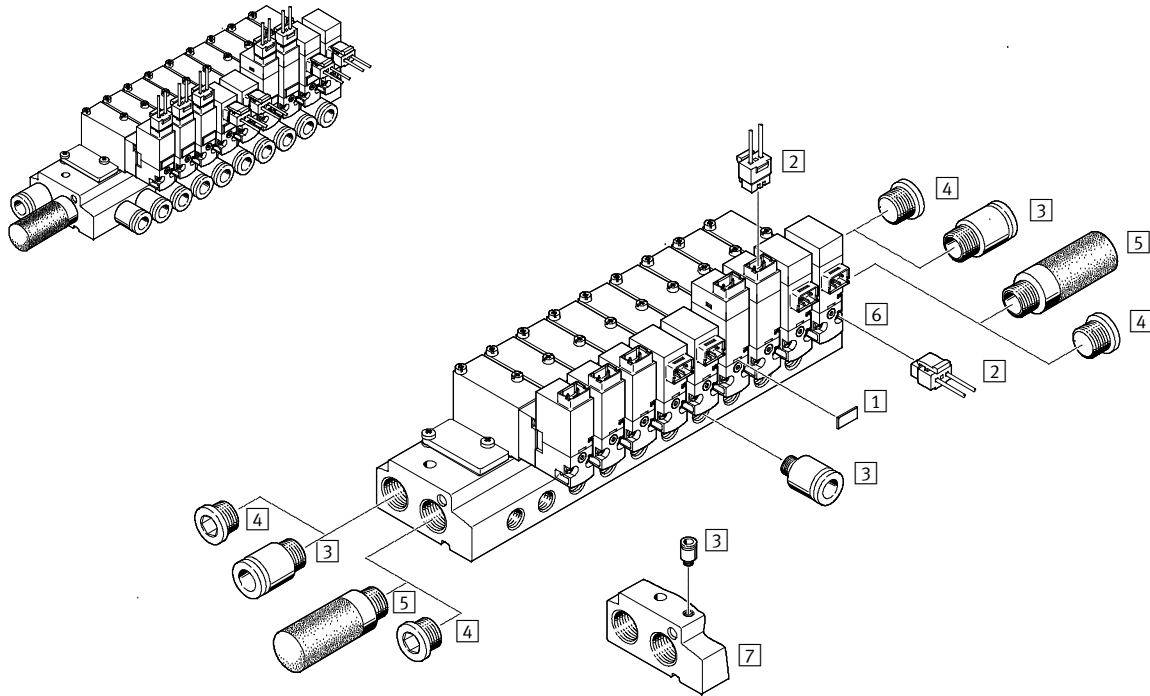


Component parts			
	Type	Brief description	→ Page/ Internet
1	–	Sub-assembly of the solenoid valve VOVG with vertical plug connection	8
2	–	Sub-assembly of the solenoid valve VOVG with horizontal plug connection	
3	–	Sub-assemblies of the solenoid valves VOVG	
4	VABB-C7-12-W	For vacant positions	18
5	VABM-C7-...	For sub-base valves	17

Solenoid valves VOVG

Peripherals overview

Manifold assembly – Sub-base valves with accessories

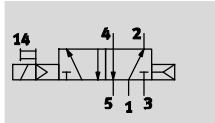
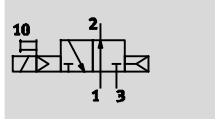
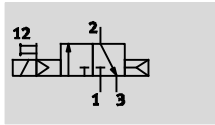


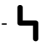
Component parts			
	Type	Brief description	→ Page/ Internet
1	MH-BZ-80X	Inscription label For identifying the solenoid valves	19
2	KMH	Plug socket with cable For solenoid coils	19
3	QS/QSM	Push-in fitting For standard O.D. tubing	18
4	B	Blanking plug For sealing unused ports	18
5	U	Silencer For fitting on exhaust ports	18
6	VABM-...-M...	Manifold rail Without port for external pilot air for valves with internal pilot air supply	17
7	VABM-...-W...	Manifold rail With port for external pilot air	17


Solenoid valves VOVG


Technical data

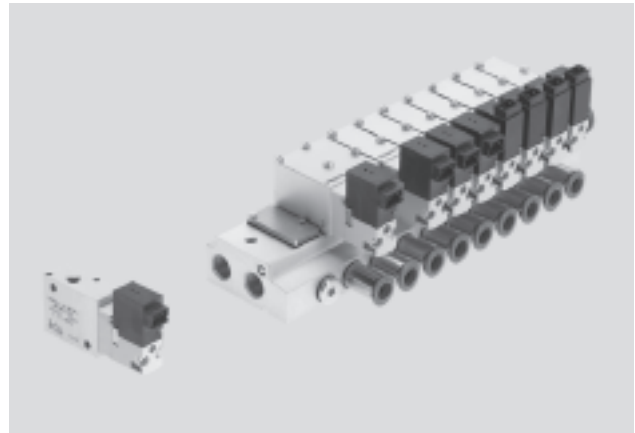
Function



-  - Voltage
5, 12, 24 V DC

-  - Pressure
-0.9 ... +8 bar

-  - Temperature range
-5 ... +50 °C



General technical data							
Design	In-line valve		Semi in-line valve		Sub-base valve		
Valve function	3/2	5/2	3/2	5/2	3/2	5/2	
Memory stability	Single						
Constructional design	Piston spool						
Sealing principle	Soft						
Actuation type	Electrical						
Reset method	Pneumatic spring						
Type of control	Piloted						
Direction of flow	Non-reversible						
Exhaust function	Flow control						
Manual override	Non-detenting/detenting			Non-detenting			
Type of mounting	Via through-holes			On sub-base or manifold, via through-holes			
Mounting position	Any						
Nominal size	[mm] 2.1						
Standard nominal flow rate	[l/min] 200		180		180		
Width	[mm] 10/12		25		12		25
Switching time on/off	[ms] 12/10		15/18		12/10		15/18
Pneumatic connection	M5			Sub-base			

Operating and environmental conditions	
Operating medium	Compressed air in accordance with ISO 8573-1:2010 [7:4:4]
Note on operating/pilot medium	Operation with lubricated medium possible (in which case lubricated operation will always be required)
Operating pressure with internal pilot air supply	[bar] 2 ... 8
Operating pressure with external pilot air supply	[bar] -0.9 ... 8
Pilot pressure ¹⁾	[bar] 3 ... 8
Ambient temperature	[°C] -5 ... +50
Temperature of medium	[°C] -5 ... +50

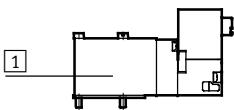
1) The minimum pilot pressure (at port 12) is 4 bar with vacuum (at port 3) and ejector pulse (at port 1).

Solenoid valves VOVG

Technical data

Electrical data		
Operating voltage	[V DC]	5 ±10%, 12 ±10% or 24 ±10%
Type of connection		Plug connection
Power consumption	[W]	1
Duty cycle	[%]	100
Protection class to EN 60529		
With plug socket with cable KMH		IP40

Materials



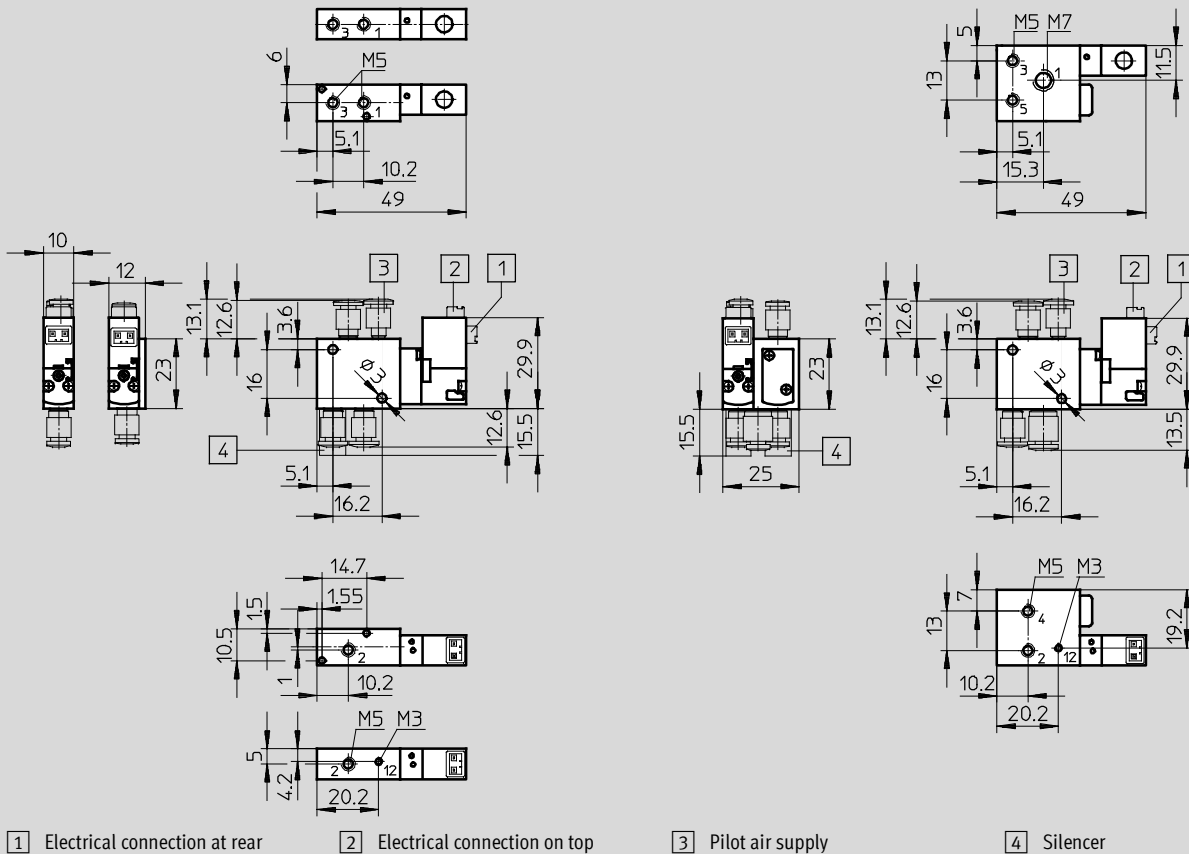
1	Housing	Aluminium
-	Seals	FPM, NBR, HNBR
-	Note on materials	RoHS-compliant

Dimensions – Valve

Download CAD data → www.festo.com

3/2-way in-line valve

5/2-way in-line valve

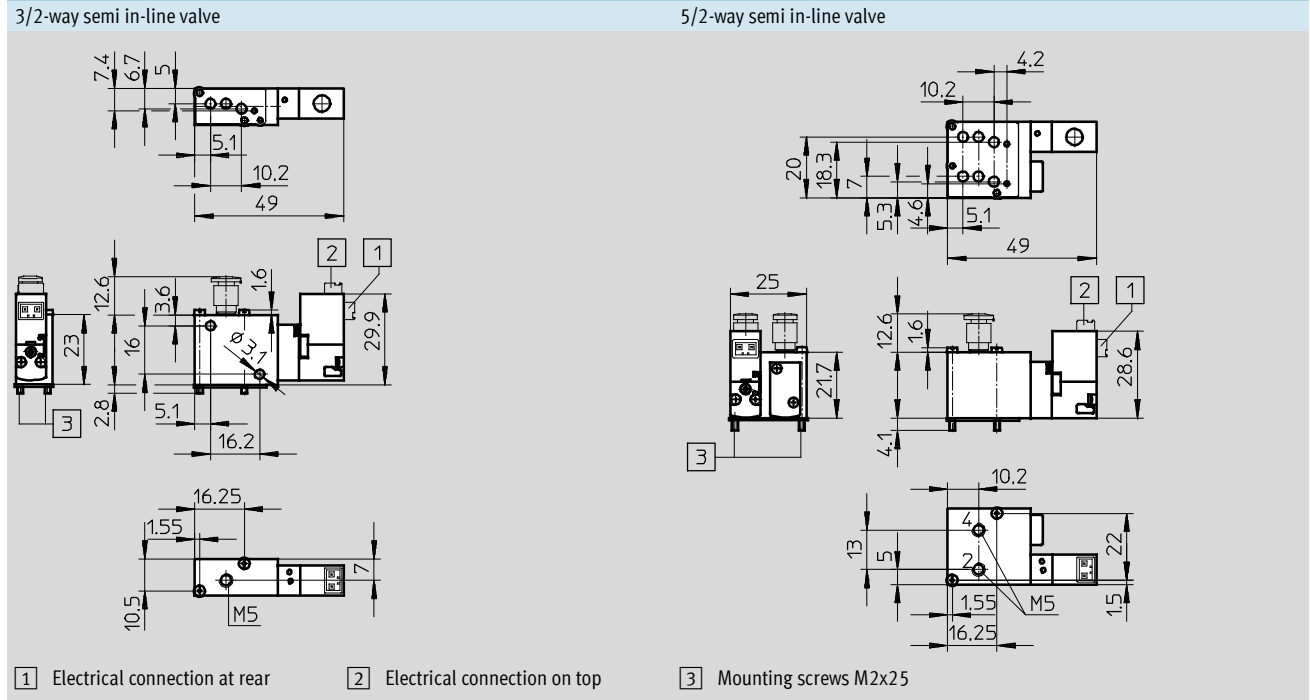


Solenoid valves VOVG

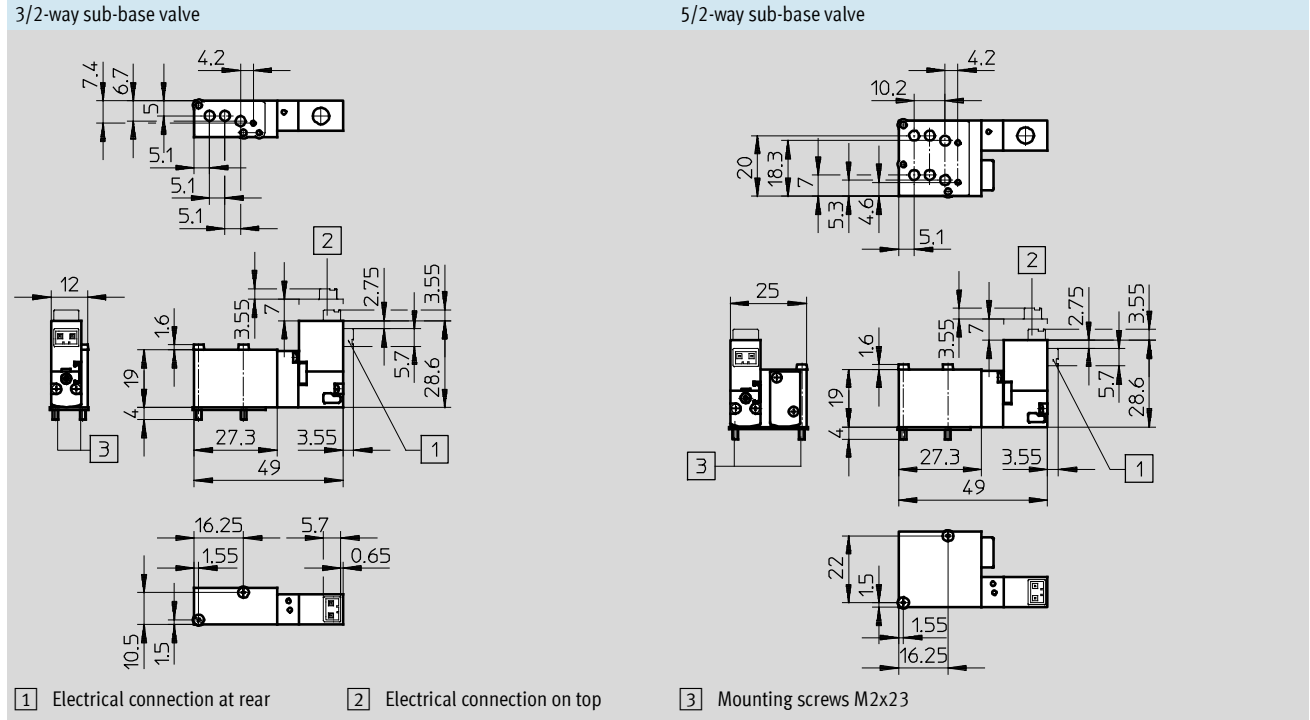
Technical data

FESTO

Dimensions – Valve Download CAD data → www.festo.com



Dimensions – Valve Download CAD data → www.festo.com



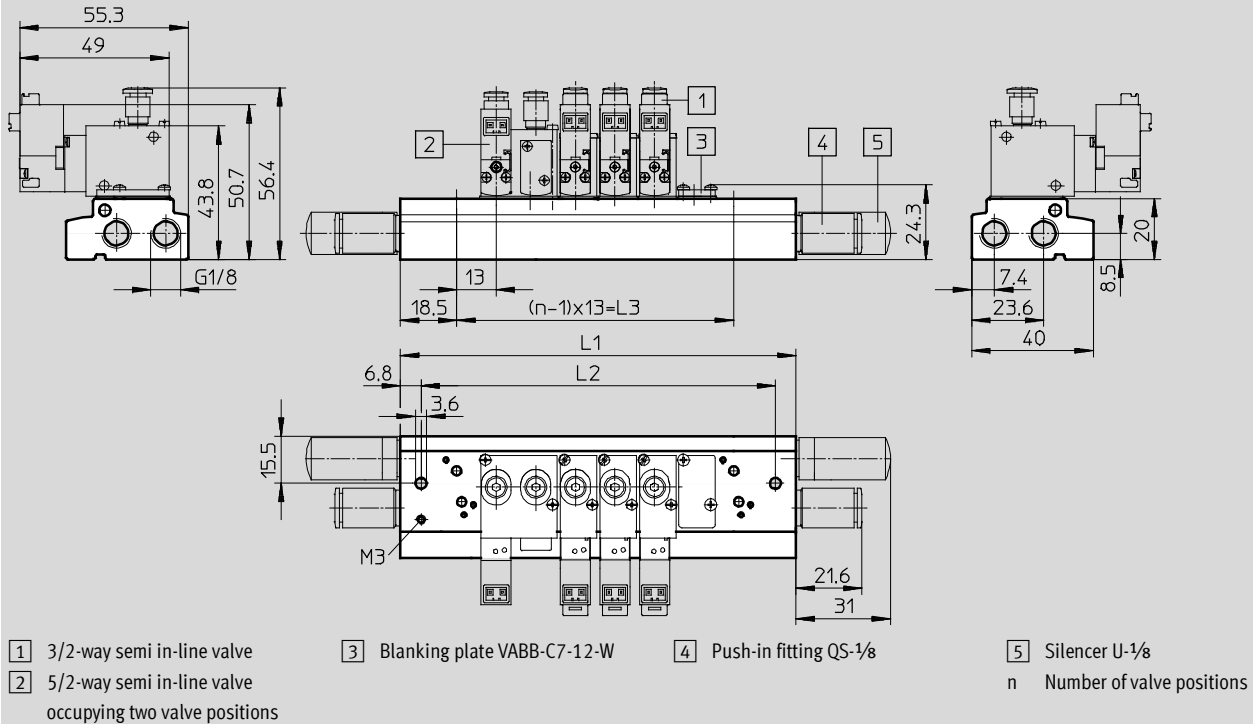
Solenoid valves VOVG

Technical data

Dimensions – Manifold assembly

Download CAD data → www.festo.com

Semi in-line valve



Number of valve positions n	L1	L2 (-0/+0.4)	L3
2	52	38.4	13
3	65	51.4	26
4	78	64.4	39
5	91	77.4	52
6	104	90.4	65
7	117	103.4	78
8	130	116.4	91
9	143	129.4	104
10	156	142.4	117

Solenoid valves VOVG

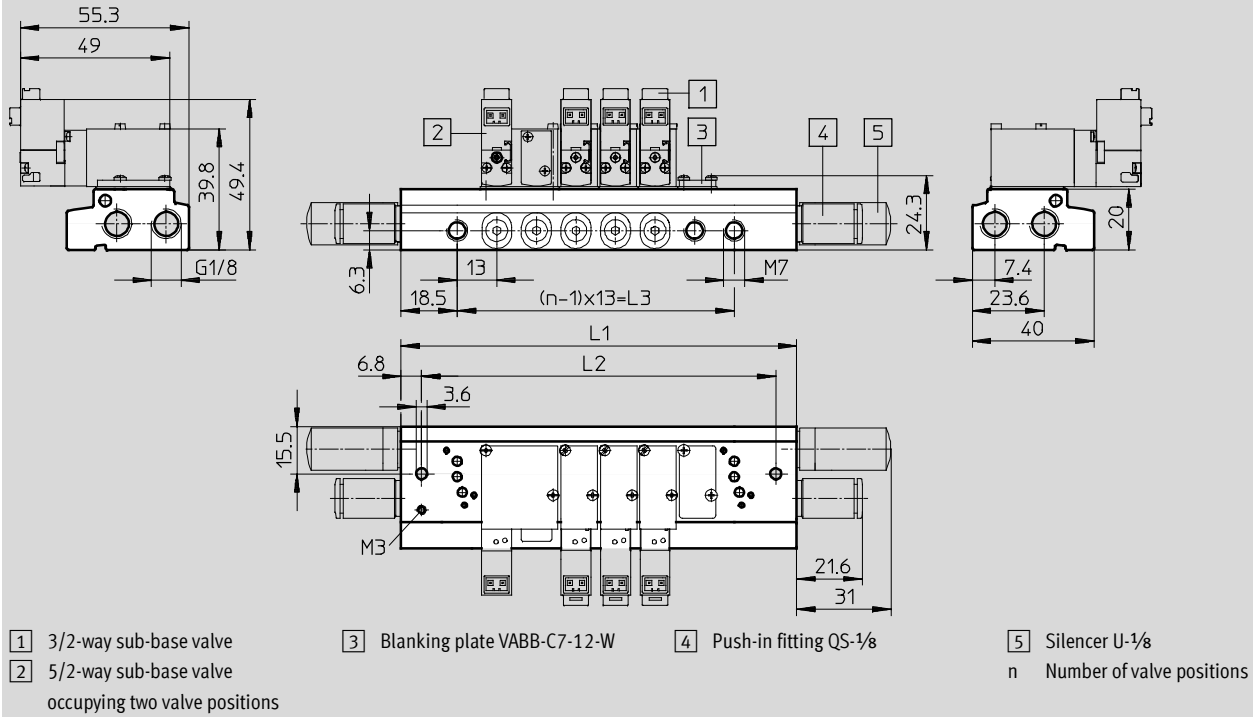
Technical data

FESTO

Dimensions – Manifold assembly

Download CAD data → www.festo.com

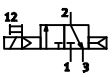
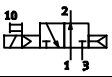
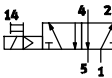
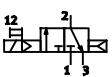
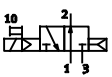
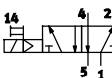
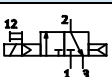
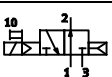
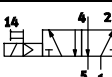
Sub-base valve



Number of valve positions n	L1	L2 (-0/+0.4)	L3
2	52	38.4	13
3	65	51.4	26
4	78	64.4	39
5	91	77.4	52
6	104	90.4	65
7	117	103.4	78
8	130	116.4	91
9	143	129.4	104
10	156	142.4	117

Solenoid valves VOVG

Ordering data

Ordering data							
Circuit symbol	Function	Normal position	Plug direction	Pilot air supply	Voltage ¹⁾	Part No.	Type
In-line valve							
	3/2-way, single solenoid	Closed	Horizontal	Internal	24 V DC	560 697	VOVG-L10-M32C-AH-M5-1H2
			Vertical			560 698	VOVG-L10-M32C-AH-M5-1H3
	3/2-way, single solenoid	Open	Horizontal	Internal	24 V DC	560 699	VOVG-L10-M32U-AH-M5-1H2
			Vertical			560 700	VOVG-L10-M32U-AH-M5-1H3
	5/2-way, single solenoid	–	Horizontal	Internal	24 V DC	560 701	VOVG-L12-M52Q-AH-M5-1H2
			Vertical			560 702	VOVG-L12-M52Q-AH-M5-1H3
Semi in-line valve							
	3/2-way, single solenoid	Closed	Horizontal	Internal	24 V DC	560 703	VOVG-S12-M32C-AH-M5-1H2
			Vertical			560 704	VOVG-S12-M32C-AH-M5-1H3
	3/2-way, single solenoid	Open	Horizontal	Internal	24 V DC	560 705	VOVG-S12-M32U-AH-M5-1H2
			Vertical			560 706	VOVG-S12-M32U-AH-M5-1H3
	5/2-way, single solenoid	–	Horizontal	Internal	24 V DC	560 707	VOVG-S12-M52Q-AH-M5-1H2
			Vertical			560 708	VOVG-L12-M52Q-AH-M5-1H3
Sub-base valve							
	3/2-way, single solenoid	Closed	Horizontal	Internal	24 V DC	560 709	VOVG-B12-M32C-AH-F-1H2
			Vertical			560 710	VOVG-B12-M32C-AH-F-1H3
	3/2-way, single solenoid	Open	Horizontal	Internal	24 V DC	560 711	VOVG-B12-M32U-AH-F-1H2
			Vertical			560 712	VOVG-B12-M32U-AH-F-1H3
	5/2-way, single solenoid	–	Horizontal	Internal	24 V DC	560 713	VOVG-B12-M52Q-AH-F-1H2
			Vertical			560 714	VOVG-B12-M52Q-AH-F-1H3

1) See modular system for other voltages

Solenoid valves VOVG

Ordering data – Modular products



Options				Mandatory data			
Manual override	Pneumatic connection	Exhaust	Pilot exhaust	Nominal operating voltage	Electrical connection	Display	Electrical accessories
H D	F M5 Q3 Q4 Q6	– U	–	1 4 5	H2 H3	– L	W1, W2, W3, W4
H	- Q3	U		4	H3		+ W1

Ordering table			Condi- tions	Code	Enter code
M	Manual override	Pushing		H	
		Pushing/detenting	1 2	D	
M	Pneumatic connection	Flange/sub-base	3	-F	
		Metric thread M5	4	-M5	
		Push-in connectors 3 mm	4	-Q3	
		Push-in connectors 4 mm	4	-Q4	
		Push-in connectors 6 mm	4	-Q6	
		O	Exhaust	Ducted	
		Silencer	1 5	U	
	Pilot exhaust	Unducted			
M	Nominal operating voltage [V DC]	24		-1	
		5		-4	
		12		-5	
M	Electrical connection	Horizontal plug		H2	
		Vertical plug		H3	
O	Display	None			
		LED signal display	7	L	
	Electrical accessories			+	+
M	Connecting cable	Without sheath, 0.5 m		W1	
		Without sheath, 1 m		W2	
		Without sheath, 2.5 m		W3	
		Without sheath, 5 m		W4	

- | | | | |
|------------|--|------------------|--|
| 1 10, D, U | Not with valve type B, S | 4 M5, Q3, Q4, Q6 | Not with valve type B |
| 2 D | Not with nominal operating voltage 5 V DC, 12 V DC | 5 U | Not with pneumatic connection F, M5 |
| 3 F | Not with valve type L, S | 7 L | Not with nominal operating voltage 5 V DC, 12 V DC |

Transfer order code

	-				-					+	
--	---	--	--	--	---	--	--	--	--	---	--

Solenoid valves VOVG

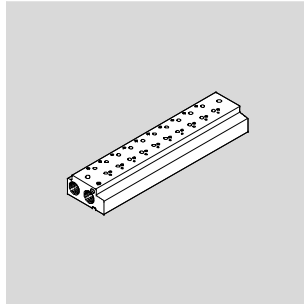
Technical data – Manifold rail



Manifold rail VABM-C7 for semi in-line valves

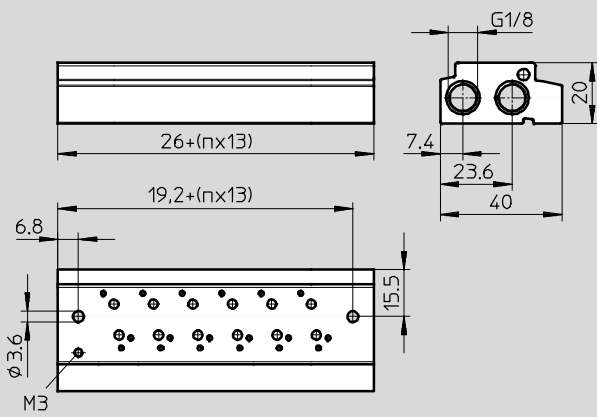
Material:
Wrought aluminium alloy

Note on materials
RoHS-compliant



Dimensions – Manifold rails for semi in-line valves

Download CAD data → www.festo.com



n Number of valve positions

Ordering data – Manifold rails for semi in-line valves

Valve positions n	Weight [g]	CRC	Part No.	Type
For valves with internal pilot air				
2	84	2 ¹⁾	552652	VABM-C7-12P-G18-2
3	105		552653	VABM-C7-12P-G18-3
4	126		552654	VABM-C7-12P-G18-4
5	147		552655	VABM-C7-12P-G18-5
6	168		552656	VABM-C7-12P-G18-6
7	189		552657	VABM-C7-12P-G18-7
8	210		552658	VABM-C7-12P-G18-8
9	231		552659	VABM-C7-12P-G18-9
10	252		552660	VABM-C7-12P-G18-10
For valves with external pilot air				
2	84	2 ¹⁾	552661	VABM-C7-12G-G18-2
3	105		552662	VABM-C7-12G-G18-3
4	126		552663	VABM-C7-12G-G18-4
5	147		552664	VABM-C7-12G-G18-5
6	168		552665	VABM-C7-12G-G18-6
7	189		552666	VABM-C7-12G-G18-7
8	210		552667	VABM-C7-12G-G18-8
9	231		552668	VABM-C7-12G-G18-9
10	252		552669	VABM-C7-12G-G18-10

1) Corrosion resistance class 2 as per Festo standard 940 070
Components subject to moderate corrosion stress. Externally visible parts with primarily decorative surface requirements which are in direct contact with a normal industrial environment or media such as coolants or lubricating agents.

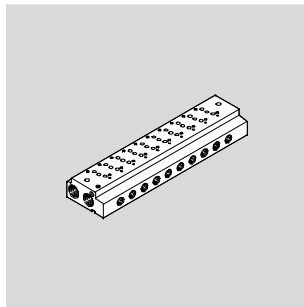
Solenoid valves VOVG

Technical data – Manifold rail

Manifold rail VABM-C7 for sub-base valves

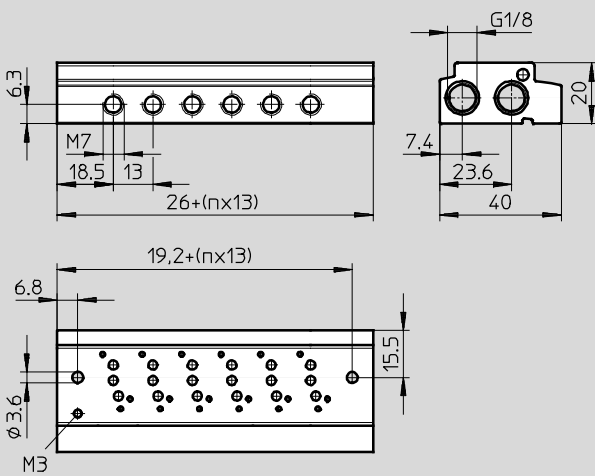
Material:
Wrought aluminium alloy

Note on materials
RoHS-compliant



Dimensions – Manifold rails for sub-base valves

Download CAD data → www.festo.com



n Number of valve positions

Ordering data – Manifold rails for sub-base valves

Valve positions	Weight [g]	CRC	Part No.	Type
For valves with internal pilot air				
2	82	2 ¹⁾	549639	VABM-C7-12M-G18-2
3	102		549640	VABM-C7-12M-G18-3
4	122		549641	VABM-C7-12M-G18-4
5	142		549642	VABM-C7-12M-G18-5
6	162		549643	VABM-C7-12M-G18-6
7	182		549644	VABM-C7-12M-G18-7
8	202		549645	VABM-C7-12M-G18-8
9	222		549646	VABM-C7-12M-G18-9
10	242		549647	VABM-C7-12M-G18-10
For valves with external pilot air				
2	82	2 ¹⁾	549648	VABM-C7-12W-G18-2
3	102		549649	VABM-C7-12W-G18-3
4	122		549650	VABM-C7-12W-G18-4
5	142		549651	VABM-C7-12W-G18-5
6	162		549652	VABM-C7-12W-G18-6
7	182		549653	VABM-C7-12W-G18-7
8	202		549654	VABM-C7-12W-G18-8
9	222		549655	VABM-C7-12W-G18-9
10	242		549656	VABM-C7-12W-G18-10

1) Corrosion resistance class 2 as per Festo standard 940 070

Components subject to moderate corrosion stress. Externally visible parts with primarily decorative surface requirements which are in direct contact with a normal industrial environment or media such as coolants or lubricating agents.

Solenoid valves VOVG

Accessories

FESTO

Blanking plate VABB-C7

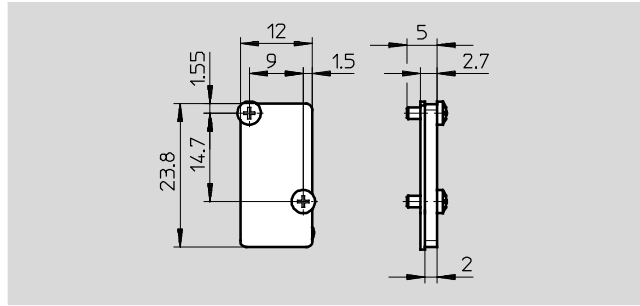
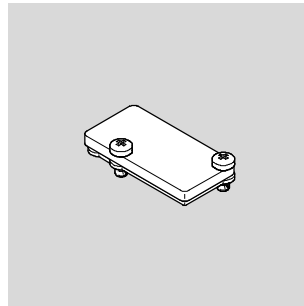
Material:

Blanking plate: Steel

Seal: NBR

Note on materials

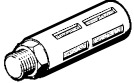

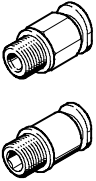
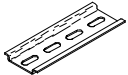
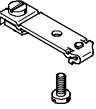
RoHS-compliant



Ordering data				
	Weight [g]	CRC	Part No.	Type
Blanking plate for vacant positions	6	2 ¹⁾	552651	VABB-C7-12-W

1) Corrosion resistance class 2 as per Festo standard 940 070

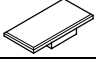
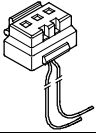
Components subject to moderate corrosion stress. Externally visible parts with primarily decorative surface requirements which are in direct contact with a normal industrial environment or media such as coolants or lubricating agents.

Ordering data – Accessories					
Designation			Part No.	Type	
Silencer					
	Connecting thread G $\frac{1}{8}$		2307	U- $\frac{1}{8}$	
			6841	U- $\frac{1}{8}$ -B	
Blanking plug					
	Thread G $\frac{1}{8}$	10 pieces	3568	B- $\frac{1}{8}$	
Push-in fitting					
	Connecting thread G $\frac{1}{8}$ for tubing O.D.	6 mm (10 pieces)	153002	QS- $\frac{1}{8}$ -6	
		8 mm (10 pieces)	153004	QS- $\frac{1}{8}$ -8	
	Connecting thread M3 for tubing O.D.	3 mm (10 pieces)	153312	QSM-M3-3-I	
		Connecting thread M5 for tubing O.D.	3 mm (10 pieces)	153313	QSM-M5-3-I
			4 mm (10 pieces)	153315	QSM-M5-4-I
			6 mm (10 pieces)	153317	QSM-M5-6-I
Connecting thread M7 for tubing O.D.	4 mm (10 pieces)	153319	QSM-M7-4-I		
	6 mm (10 pieces)	153321	QSM-M7-6-I		
H-rail					
			35430	NRH-35-2000	
Mounting					
	For H-rail		527392	CPASC1-BG-NRH	

Solenoid valves VOVG

Accessories

FESTO

Ordering data – Accessories			
Designation		Part No.	Type
Inscription label			
	For solenoid valve	80 pieces	197259 MH-BZ-80X
Plug socket with cable			
	For 1 coil, 2-wire	0.5 m	197263 KMH-0,5
		1 m	197264 KMH-1
		2.5 m	527400 KMH-2,5
		5 m	527401 KMH-5