

Pipe and tubing cutters



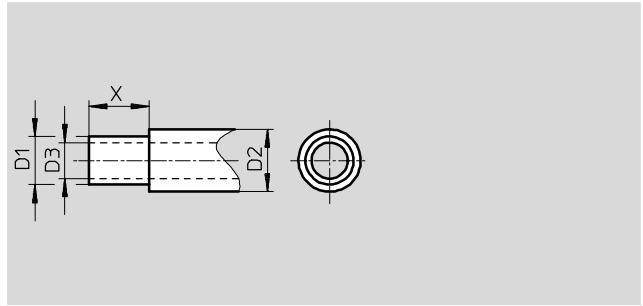
Pipe and tubing cutters

Technical data

FESTO

Tubing cutter PAN-VOS

for flame retardant PAN-V0 tubing
The integrated stop assures that the PVC sheath for PAN-V0 tubing is always cut to the correct length. The blade design prevents damage to the inner, polyamide tubing.



Dimensions and ordering data						
For tubing O.D.	D1	D2	D3	X	Part No.	Type
[mm]	∅ [mm]	∅	∅			
6	6	8	4	17	160554	PAN-VOS-6/8
8	8	10	6	18		
10	10	12	7.5	20	160555	PAN-VOS-10/12
12	12	14	9	23		

Disconnecting pliers ZDS

with cutter, for removing plastic tubing from barbed fittings.

Note on materials:
RoHS-compliant



Ordering data		
	Part No.	Type
for 3 mm tubing	9090	ZDS-PK-3
for 4 mm tubing	9522	ZDS-PK-4

Pipe and tubing cutters

Technical data

Connecting pliers ZMS-PK-3/4
with cutter, for connecting plastic tubing to barbed fittings.

Note on materials:
RoHS-compliant



Ordering data		
	Part No.	Type
Connecting pliers	9341	ZMS-PK-3/4

Pipe cutter ZR

The pipe cutter ZR is used for cutting PQ-PA plastic piping with outside diameters of up to 28 mm to length. It is not suitable for tubing with metal casing.



Ordering data		
	Part No.	Type
Pipe cutter	194592	ZR

Pipe and tubing cutter ZRS

The pipe and tubing cutter ZRS is used for cutting plastic and nitrile rubber tubing with outer diameters of up to 20 mm, with or without textile insert. It is not suitable for tubing with metal casing. It also has an integrated safety catch to prevent unauthorised opening.

Note on materials:
RoHS-compliant



Ordering data		
	Part No.	Type
Pipe and tubing cutter with 2 spare blades	7658	ZRS
10 spare blades for pipe and tubing cutter	218606	ZRS 10PACK.