





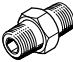

Threaded fittings



Threaded fittings

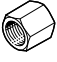
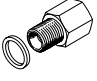



Product range overview

FESTO

Design	Version	Type	Connection D1			Connection D2			→ Page/ Internet	
			M thread	G thread	R thread	M thread	G thread	R thread		
Straight type	Blanking plug									
		B	M3	-	-	-	-	-	4	
			M5							
			M7							
			-							G1/8
										G1/4
										G3/8
										G1/2
			G3/4							
			G1							
	Reducing nipple – Male thread/female thread									
		D	M5	-	-	M7	-	-	5	
		D	M3	-	-	M5	-	-	6	
			M5							
			M7							
	-		G1/8							
			G1/4							
			G3/8							
			G1/2							
		G3/4								
		G1/8, G1/4								
		G1/8								
		G1/4, G3/8								
		G3/8, G1/2, G3/4								
		G1/2, G3/4								
		G3/4, G1								
		G1								
Double nipple										
	E	M3	-	-	M3	-	-	7		
		M5							G1/8	
		M7							G1/8	
		-							G1/8, G1/4, G3/8	
									G1/4, G3/8, G1/2	
									G3/8, G1/2	
									G1/2, G3/4	
		G3/4								
	ESK	-	-	R1/8	-	-	R1/8, R1/4, R3/8	8		
				R1/4			R1/4, R3/8, R1/2			
				R3/8			R3/8, R1/2			
				R1/2			R1/2			
Bulkhead fitting										
	SCM	M5	-	-	-	-	-	8		
		-							G1/8	
									G1/4	
									G3/8	
		G1/2								

Threaded fittings

Product range overview

Design	Version	Type	Connection D1			Connection D2			→ Page/ Internet
			M thread	G thread	R thread	M thread	G thread	R thread	
Straight type	Sleeve								
		QM	M5	–	–	–	–	–	9
			–	G1/8					
				G1/4					
				G3/8					
				G1/2					
				G3/4					
		G1							
		QM	M5	–	–	M5	–	–	9
			–	G1/8			G1/8		
			G1/4	G1/4					
			G3/8	G3/8					
			G1/2	G1/2					
Reducing sleeve									
	QMR	–	G1/8	–	M5	–	–	10	
			G1/4		–	G1/8			
			G3/8			G1/4			
			G1/2			G3/8			
L-shape	Elbow fitting								
		LJK	–	G1/8	–	–	–	–	11
				G1/4					
				G3/8					
			G1/2						
T-type	T-fitting								
		TJK	M3	–	–	–	–	–	11
			–	G1/8					
				G1/4					
				G3/8					
			G1/2						

Threaded fittings

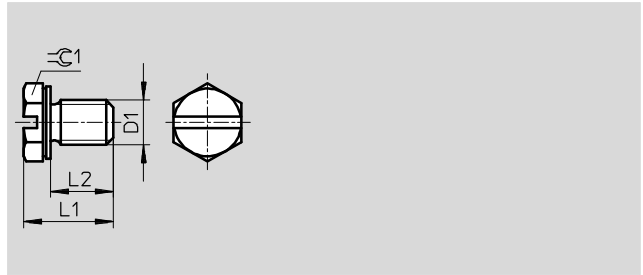
Technical data

FESTO

Blanking plug B-M3-S9 with sealing ring

Material:
High-alloy stainless steel

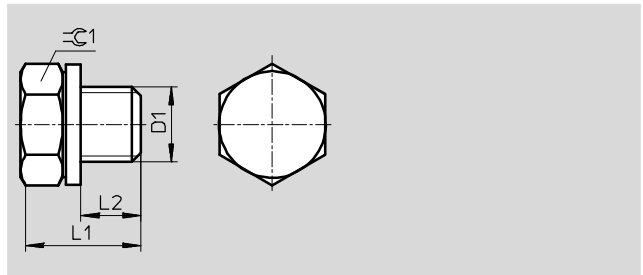
Note on materials:
Free of copper and PTFE



Blanking plug B-M5 with sealing ring

Material:
Aluminium

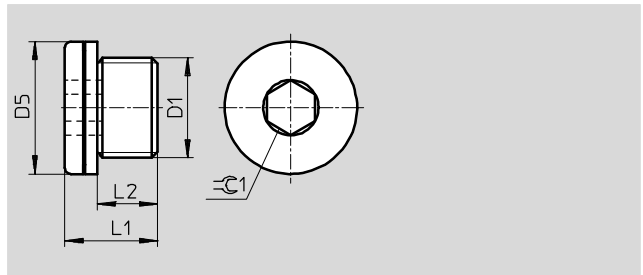
Note on materials:
Free of copper and PTFE



Blanking plug B with sealing ring

Material:
Steel

Note on materials:
Free of copper and PTFE



Dimensions and ordering data									
Pneumatic connection	D5	L1	L2	$\approx C1$	Weight/piece [g]	Part No.	Type	PU ¹⁾	
D1	\varnothing								
M thread									
M3	-	5.3	2.8	4.5	1	30979	B-M3-S9 ²⁾	10	
M5	-	7.8	3.8	7	1	3843	B-M5	10	
		8	6.3	3.8	2.5	2	534212	B-M5-100	100
M7	9.5	7.8	5.3	3	2	174308	B-M5-B	10	
							174309	B-M7	10
G thread									
G ¹ / ₈	14	11	6.4	5	5	3568	B- ¹ / ₈ ³⁾	10	
						534213	B- ¹ / ₈ -100 ³⁾	100	
G ¹ / ₄	18	15	9.8	6	15	3569	B- ¹ / ₄ ³⁾	10	
						534214	B- ¹ / ₄ -50 ³⁾	50	
G ³ / ₈	22	15	9.8	8	22	3570	B- ³ / ₈ ³⁾	10	
						534215	B- ³ / ₈ -20 ³⁾	20	
G ¹ / ₂	26	18	11.65	10	43	3571	B- ¹ / ₂ ³⁾	10	
						534216	B- ¹ / ₂ -20 ³⁾	20	
G ³ / ₄	32	20	13.05	12	73	3572	B- ³ / ₄ ³⁾	1	
G1	39	21	14	17	153	5763	B-1	1	

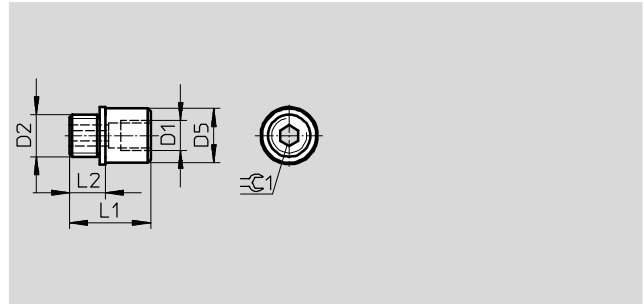
1) Packaging unit quantity
2) Corrosion and acid resistant version
3) RoHS-compliant

Threaded fittings

Technical data

Reducing nipple D with sealing ring

Material:
Brass



Dimensions and ordering data									
Pneumatic connection		D5	L1	L2	$\approx \text{C} 1$	Weight/piece [g]	Part No.	Type	PU ¹⁾
D1	D2								
M5	M7	9	13.3	5.3	3	43	161359	D-M5I-M7A-ISK	10

1) Packaging unit quantity

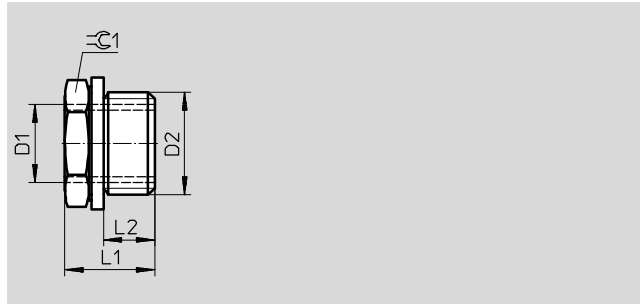
Threaded fittings

Technical data

FESTO

Reducing nipple D with sealing ring

Note on materials:
RoHS-compliant



Dimensions and ordering data									
Pneumatic connection		L1	L2	≈ 1	Weight/piece [g]	Part No.	Type	PU ¹⁾	
D1	D2								
M thread – High-alloy stainless steel									
M3	M5	6.3	3.8	7	1	30980	D-M3I-M5A-S9 ²⁾	10	
M thread – Brass									
M5	G $\frac{1}{8}$	9.5	4.9	13	10	3842	D-M5I- $\frac{1}{8}$ A	10	
						534208	D-M5I- $\frac{1}{8}$ A-100	100	
	G $\frac{1}{4}$	12	5.8	17	12	197632	D-M5I- $\frac{1}{4}$ A	10	
M7	G $\frac{1}{8}$	9.5	4.9	13	–	534144	D-M7I- $\frac{1}{8}$ A	10	
G thread – Brass									
G $\frac{1}{8}$	G $\frac{1}{4}$	12	5.8	17	8	3577	D- $\frac{1}{8}$ I- $\frac{1}{4}$ A	10	
							534209	D- $\frac{1}{8}$ I- $\frac{1}{4}$ A-100	100
	G $\frac{3}{8}$	14	6.8	19	–	534147	D- $\frac{1}{8}$ I- $\frac{3}{8}$ A	10	
G $\frac{1}{4}$	G $\frac{3}{8}$	14	6.8	19	14	3581	D- $\frac{1}{4}$ I- $\frac{3}{8}$ A	10	
							534210	D- $\frac{1}{4}$ I- $\frac{3}{8}$ A-50	50
		15.5	8.15	24	36	197633	D- $\frac{1}{4}$ I- $\frac{1}{2}$ A	10	
	G $\frac{3}{4}$	20.4	9.05	32	–	534145	D- $\frac{1}{4}$ I- $\frac{3}{4}$ A	10	
G $\frac{3}{8}$	G $\frac{1}{2}$	15.5	8.15	24	25	3585	D- $\frac{3}{8}$ I- $\frac{1}{2}$ A	10	
							534211	D- $\frac{3}{8}$ I- $\frac{1}{2}$ A-20	20
	G $\frac{3}{4}$	20.4	9.05	32	–	534146	D- $\frac{3}{8}$ I- $\frac{3}{4}$ A	10	
G $\frac{1}{2}$	G $\frac{3}{4}$	20.4	9.05	32	45	3588	D- $\frac{1}{2}$ I- $\frac{3}{4}$ A	1	
							197634	D- $\frac{1}{2}$ I-1A	1
G $\frac{3}{4}$	G1	21	11	36	55	9168	D- $\frac{3}{4}$ I-1A	1	
G thread – Wrought aluminium alloy									
G $\frac{1}{8}$	G $\frac{1}{4}$	12	5.8	17	7	183585	D- $\frac{1}{8}$ I- $\frac{1}{4}$ A-AL	1	
G $\frac{1}{4}$	G $\frac{3}{8}$	14	6.8	19	8	183586	D- $\frac{1}{4}$ I- $\frac{3}{8}$ A-AL	1	
G $\frac{3}{8}$	G $\frac{1}{2}$	15.5	8.15	24	10	183587	D- $\frac{3}{8}$ I- $\frac{1}{2}$ A-AL	1	
G $\frac{1}{2}$	G $\frac{3}{4}$	20.4	9.05	32	24	183588	D- $\frac{1}{2}$ I- $\frac{3}{4}$ A-AL	1	
G $\frac{3}{4}$	G1	21	11	36	26	183589	D- $\frac{3}{4}$ I-1A-AL	1	

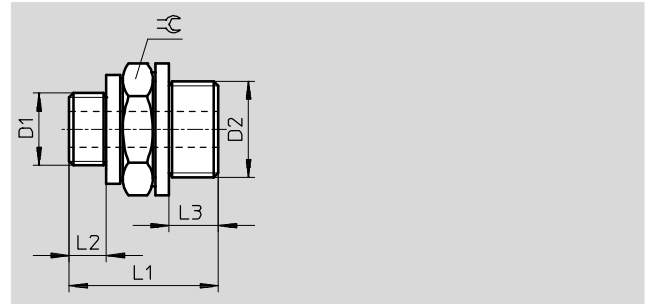
1) Packaging unit quantity
2) Free of copper and PTFE

Threaded fittings

Technical data

Double nipple E with 2 sealing rings

Note on materials:
RoHS-compliant



Dimensions and ordering data										
Pneumatic connection		Nominal size	L1	L2	L3	≈	Weight/piece [g]	Part No.	Type	PU ¹⁾
D1	D2									
M thread – High-alloy stainless steel										
M3	M3	1.7	10	2.8	2.8	4.5	1	30987	E-M3-M3-S9 ²⁾ 3)	10
M thread – Steel										
M5	M5	2.5	12.6	3.8	3.8	7	2	4139	E-M5-M5 ³⁾	10
	G1/8	2.5	15.3	3.8	4.9	13	1	4138	E-M5-1/8 ³⁾	10
		534204	E-M5-1/8-100 ³⁾	100						
G thread – Wrought aluminium alloy										
G1/8	G1/8	4.5	17	4.9	4.9	13	1	3573	E-1/8-1/8 ³⁾	10
	G1/4	4.5	19.5	4.9	5.8	17	1	3574	E-1/8-1/4 ³⁾	10
		534205	E-1/8-1/4-100 ³⁾	100						
G1/4	G1/4	6.5	21	5.8	5.8	17	1	3575	E-1/4-1/4 ³⁾	10
	G3/8	6.5	22	5.8	6.8	19	10	3576	E-1/4-3/8 ³⁾	10
		534206	E-1/4-3/8-50 ³⁾	50						
G3/8	G3/8	9.0	23	6.8	6.8	19	10	3578	E-3/8-3/8 ³⁾	10
	G1/2	9.0	26.5	6.8	8.15	24	20	3579	E-3/8-1/2 ³⁾	1
		534207	E-3/8-1/2-20 ³⁾	20						
G1/2	G1/2	13.0	28	8.15	8.15	24	20	3580	E-1/2-1/2 ³⁾	1
	G3/4	13.0	30.5	8.5	9.05	32	35	3582	E-1/2-3/4 ³⁾	1
G3/4	G3/4	18.0	32	9.5	9.05	32	30	3584	E-3/4-3/4 ³⁾	1
M thread – Brass										
M7	G1/8	4.5	17.7	5.3	4.9	13		534148	E-M7-1/8-MS	10
G thread – Brass										
G1/8	G1/8	4.5	17	4.9	4.9	13	10	15621	E-1/8-1/8-MS	10
	G1/4	4.5	19.5	4.9	5.8	17	20	15622	E-1/8-1/4-MS	10
		534150	E-1/8-3/8-MS	10						
G1/4	G1/4	6.5	21	5.8	5.8	17	20	15623	E-1/4-1/4-MS	10
	G3/8	6.5	22	5.8	6.8	19	30	15624	E-1/4-3/8-MS	10
		534149	E-1/4-1/2-MS	10						
G3/8	G3/8	9	23	6.8	6.8	19	30	15625	E-3/8-3/8-MS	10
	G1/2	9	26.5	6.8	8.15	24	53	15626	E-3/8-1/2-MS	1
G1/2	G1/2	13	28	8.15	8.15	24	52	15627	E-1/2-1/2-MS	1
	G3/4	13	30.5	8.15	9.05	32	100	15628	E-1/2-3/4-MS	1
G3/4	G3/4	18	32	9.05	9.05	32	100	15629	E-3/4-3/4-MS	1

1) Packaging unit quantity
2) Corrosion and acid resistant version
3) Free of copper and PTFE

Threaded fittings

Technical data

FESTO

Double nipple ESK

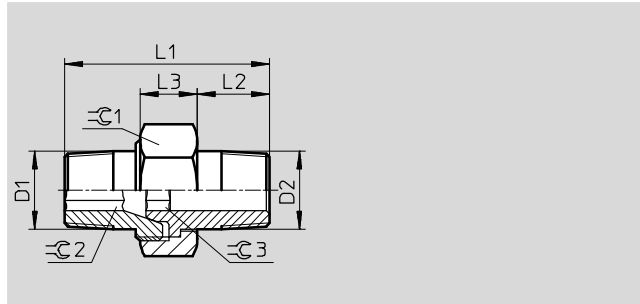
adjustable for angular compensation

Material:

Brass

Note on materials:

RoHS-compliant



Dimensions and ordering data										
Pneumatic connection		L1	L2	L3	⊖ C1	⊖ C2	⊖ C3	Part No.	Type	PU ¹⁾
D1	D2									
R ¹ / ₈	R ¹ / ₈	27	9	8.5	15	5	5	151520	ESK- ¹ / ₈ - ¹ / ₈	1
	R ¹ / ₄	30.6	12	9.5	19	5	6	534151	ESK- ¹ / ₈ - ¹ / ₄	1
	R ³ / ₈	34.5	13	10	22	5	8	534155	ESK- ¹ / ₈ - ³ / ₈	1
R ¹ / ₄	R ¹ / ₄	34	12	9.5	19	6	6	151521	ESK- ¹ / ₄ - ¹ / ₄	1
	R ³ / ₈	36	13	10	22	6	8	534152	ESK- ¹ / ₄ - ³ / ₈	1
	R ¹ / ₂	40.5	16	12	27	6	12	534153	ESK- ¹ / ₄ - ¹ / ₂	1
R ³ / ₈	R ³ / ₈	36	13	10	22	8	8	151522	ESK- ³ / ₈ - ³ / ₈	1
	R ¹ / ₂	44	16	12	27	8	12	534154	ESK- ³ / ₈ - ¹ / ₂	1
R ¹ / ₂	R ¹ / ₂	44	16	12	27	12	12	151523	ESK- ¹ / ₂ - ¹ / ₂	1

1) Packaging unit quantity

Bulkhead fitting SCM

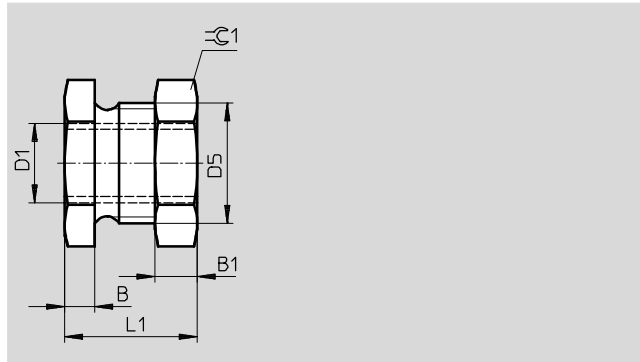
Material:

Anodised wrought aluminium alloy

Note on materials:

RoHS-compliant

Free of copper and PTFE



Dimensions and ordering data									
Pneumatic connection	D5	B	B1	L1	⊖ C1	Weight/piece [g]	Part No.	Type	PU ¹⁾
D1									
M5	M10x1	4	3.5	15.5	13	5	9969	SCM-M5	1
G ¹ / ₈	M14x1.5	5	5	20	17	10	9970	SCM- ¹ / ₈	1
G ¹ / ₄	M20x1.5	5	7	22	24	28	9971	SCM- ¹ / ₄	1
G ³ / ₈	M24x1.5	8	8.5	26.5	27	34	9972	SCM- ³ / ₈	1
G ¹ / ₂	M30x1.5	8	10.5	28.5	36	78	9973	SCM- ¹ / ₂	1

1) Packaging unit quantity

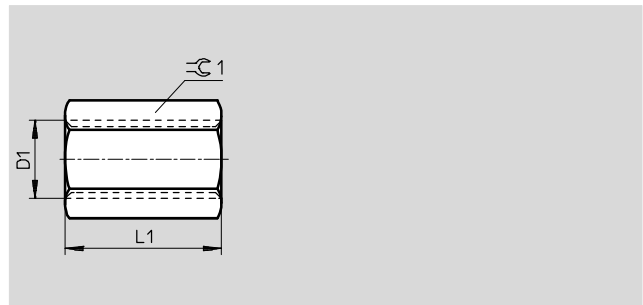
Threaded fittings

Technical data

Pipe coupling sleeve QM

Material:
Blue anodised aluminium
QM-M5-M5:
Steel

Note on materials:
Free of copper and PTFE
RoHS-compliant



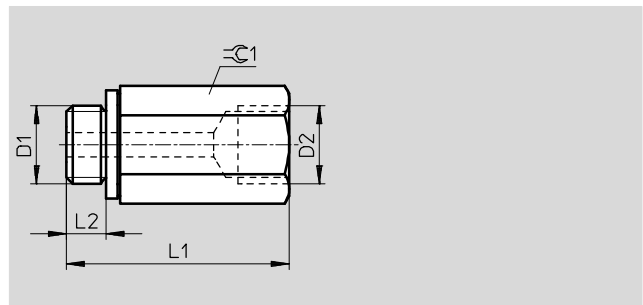
Dimensions and ordering data						
Pneumatic connection	L1	$\approx \varnothing 1$	Weight/piece [g]	Part No.	Type	PU ¹⁾
D1						
M5	12	7	1	3560	QM-M5-M5	10
G $\frac{1}{8}$	22	13	6	2254	QM- $\frac{1}{8}$ - $\frac{1}{8}$	10
G $\frac{1}{4}$	26	17	9	2255	QM- $\frac{1}{4}$ - $\frac{1}{4}$	10
G $\frac{3}{8}$	32	22	19	2256	QM- $\frac{3}{8}$ - $\frac{3}{8}$	10
G $\frac{1}{2}$	36	27	31	2257	QM- $\frac{1}{2}$ - $\frac{1}{2}$	1
G $\frac{3}{4}$	36	32	36	4226	QM- $\frac{3}{4}$ - $\frac{3}{4}$	1
G1	40	41	80	9968	QM-1-1	1

1) Packaging unit quantity

Pipe coupling sleeve QM with sealing ring

Material:
Anodised wrought aluminium alloy
QM-M5-A/I:
Steel

Note on materials:
RoHS-compliant
Free of copper and PTFE



Dimensions and ordering data								
Pneumatic connection		L1	L2	$\approx \varnothing 1$	Weight/piece [g]	Part No.	Type	PU ¹⁾
D1	D2							
M5	M5	18.5	3.8	7	4	36169	QM-M5-A/I	10
G $\frac{1}{8}$	G $\frac{1}{8}$	25.6	4.9	13	7	36170	QM- $\frac{1}{8}$ -A/I	10
G $\frac{1}{4}$	G $\frac{1}{4}$	36	5.8	17	15	36171	QM- $\frac{1}{4}$ -A/I	10
G $\frac{3}{8}$	G $\frac{3}{8}$	37.8	6.8	19	16	36172	QM- $\frac{3}{8}$ -A/I	10
G $\frac{1}{2}$	G $\frac{1}{2}$	49	8.15	24	36	187387	QM- $\frac{1}{2}$ -A/I	1

1) Packaging unit quantity

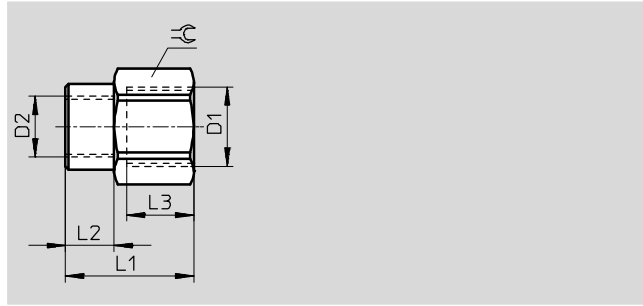
Threaded fittings

Technical data

FESTO

Reducing sleeve QMR

Material:
Nickel plated brass



Dimensions and ordering data										
Pneumatic connection		Nominal size [mm]	L1	L2	L3	⌀	Weight/piece [g]	Part No.	Type	PU ¹⁾
D1	D2									
M thread										
G ¹ / ₈	M5	2.6	17	7	7	14	12	153281	QMR- ¹ / ₈ -M5-B	10
G thread										
G ¹ / ₄	G ¹ / ₈	5.3	21	8	9	17	22	153282	QMR- ¹ / ₄ - ¹ / ₈ -B	10
G ³ / ₈	G ¹ / ₄	6.9	25	11	11	21	34	153283	QMR- ³ / ₈ - ¹ / ₄ -B	10
G ¹ / ₂	G ³ / ₈	10.7	33	14	14	24	55	153284	QMR- ¹ / ₂ - ³ / ₈ -B	1

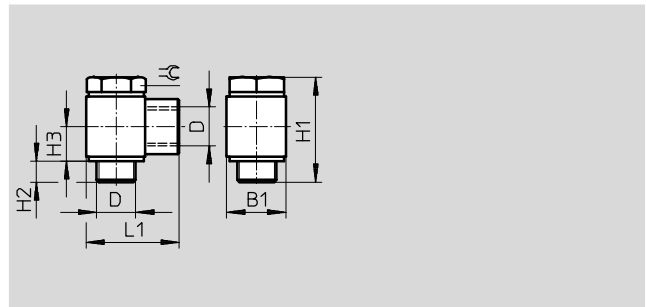
1) Packaging unit quantity

Threaded fittings

Technical data

Elbow fitting LJK

Note on materials:
RoHS-compliant

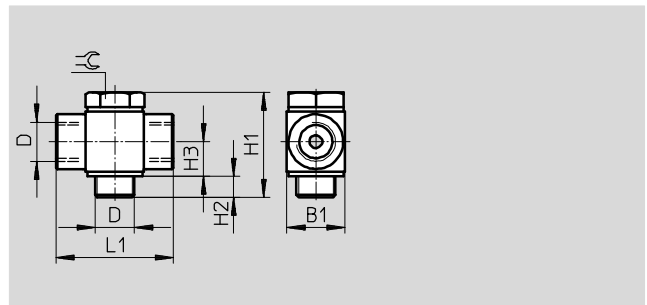


Dimensions and ordering data											
Pneumatic connection	Nominal size [mm]	B1	H1	H2	H3	L1	⌀	Part No.	Type	PU ¹⁾	
D											
G ¹ / ₈	4	16	27.1	4.7	9.2	23.5	13	4945	LJK- ¹ / ₈	10	
G ¹ / ₄	6	20	34.3	5.7	11.8	31	17	4946	LJK- ¹ / ₄	10	
G ³ / ₈	8	25	41.3	6.7	14.3	36.5	22	4947	LJK- ³ / ₈	10	
G ¹ / ₂	12	30	46.6	7.5	17.05	44	27	4948	LJK- ¹ / ₂	1	

1) Packaging unit quantity

T-fitting TJK

Note on materials:
RoHS-compliant



Operating and environmental conditions	
Operating medium	Compressed air in accordance with ISO 8573-1:2010 [7:-:-]
Note on operating/pilot medium	Operation with lubricated medium possible (in which case lubricated operation will always be required)

Dimensions and ordering data											
Pneumatic connection	Nominal size [mm]	B1	H1	H2	H3	L1	⌀	Part No.	Type	PU ¹⁾	
D											
M thread											
M3	1.2	5	10	2	3.3	10	4.5	15874	TJK-M3	10	
G thread											
G ¹ / ₈	4	16	27.1	4.7	9.2	28	13	4949	TJK- ¹ / ₈	10	
G ¹ / ₄	6	20	34.3	5.7	11.8	39	17	4950	TJK- ¹ / ₄	10	
G ³ / ₈	8	25	41.3	6.7	14.3	43	22	4951	TJK- ³ / ₈	1	
G ¹ / ₂	12	30	46.6	7.5	17.05	52	27	4952	TJK- ¹ / ₂	1	

1) Packaging unit quantity