

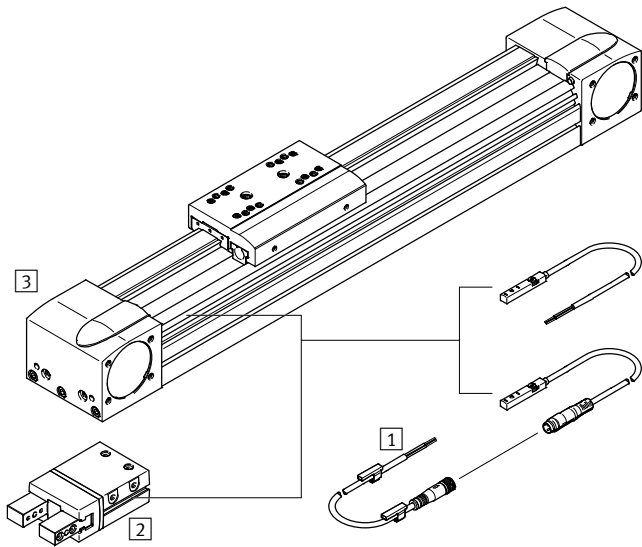
Proximity sensors SIES-8M, inductive for T-slot



Proximity sensors SIES-8M, inductive for T-slot

Peripherals overview and type codes

Peripherals overview



Mounting attachments and accessories		→ Page/Internet
1	Connecting cable NEBU-M8...3	6
2	Gripper with T-slot e.g. parallel gripper DHPS	gripper
3	Electric axis EGC	egc

Type codes

SIE S - 8M - P S - 24V - K - 2,5 - M8D

Type	
SIE	Proximity sensor, inductive

Design	
S	Special design

Design	
8M	For T-slot

Switching output	
P	PNP
N	NPN

Switching element function	
S	N/O contact
O	N/C contact

Rated operating voltage	
24V	24 VDC

Cable attributes	
K	Standard + energy chain

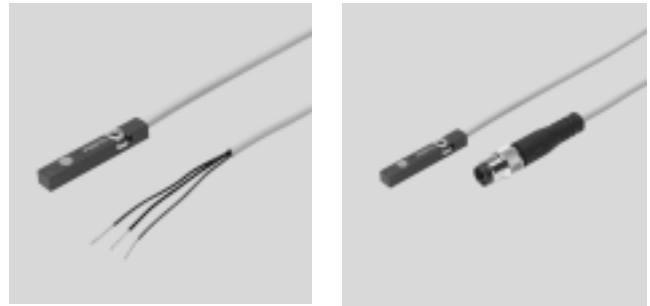
Cable length	
0,3	0.3 m
2,5	2.5 m
5,0	5.0 m
7,5	7.5 m
10	10 m

Electrical connection	
OE	Cable, 3-wire, open end
M8D	Cable with plug M8x1, 3-pin, knurled ring

Proximity sensors SIES-8M, inductive for T-slot

Technical data

- Inductive proximity sensor for T-slot, insertable from above
- Suitable for position sensing for electric axes EGC and grippers with T-slot
- 2 LEDs for better visibility, regardless of the side from which the axis approaches the sensor



General technical data		
Type of mounting		Screw-clamped in slot, insertable from above, flush with T-slot
Connection direction		In-line
Rated operating distance S_n	[mm]	1.5
Repetition accuracy under constant conditions	[mm]	≤ 0.05 lateral connection ≤ 0.02 axial connection
Max. switching frequency	[Hz]	5,000
Switching status display		Yellow LED
Conforms to		EN 60947-5-2
Cable attributes		Standard + energy chain
Cable test conditions		Energy chain: 5 million cycles, bending radius 75 mm Resistance to bending: to Festo standard; test conditions on request
Degree of contamination		3

Electrical data		
Switching output		PNP NPN
Switching element function		N/C contact N/O contact
Electrical connection		Cable, 3-wire Cable with plug, M8x1, knurled ring, 3-pin
Operating voltage range DC	[V]	10 ... 30
Insulation voltage	[V]	50
Max. output current	[mA]	150
Surge capacity	[kV]	0.8
Idle current	[mA]	≤ 10
Protection against short circuit		Pulsed
Protection against polarity reversal		For all electrical connections
Protection class		IP65 IP67

Operating and environmental conditions		
Ambient temperature	[°C]	-25 ... +70
Ambient temperature with flexible cable installation	[°C]	-5 ... +70
CE mark (see declaration of conformity)		To EU EMC Directive ¹⁾
Certification		RCM trademark cULus listed (OL)

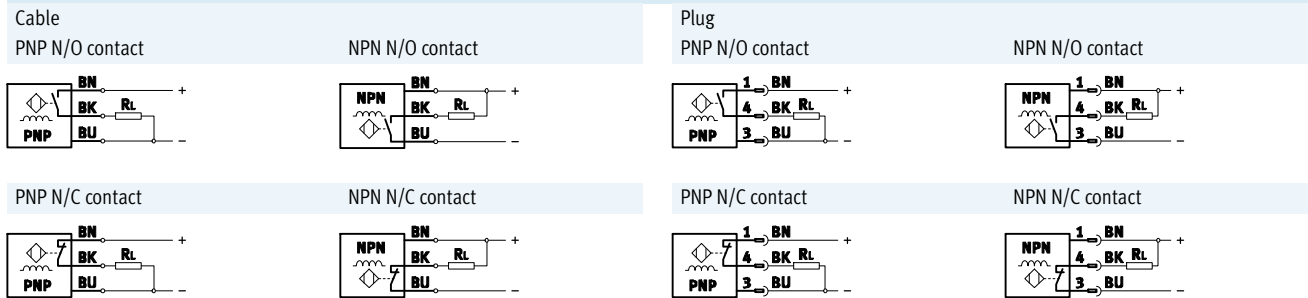
1) For information about the applicability of the component see the manufacturer's EC declaration of conformity at: www.festo.com/sp → User documentation.
If the component is subject to restrictions on usage in residential, office or commercial environments or small businesses, further measures to reduce the emitted interference may be necessary.

Proximity sensors SIES-8M, inductive for T-slot

Technical data

Materials		SIES-8M-...-OE	SIES-8M-...-M8D
Housing		-	Brass, nickel-plated
		Polyamide	
		Polyurethane	
		High-alloy stainless steel	
Cable sheath	Thermoplastic polyurethane elastomer		
Note on materials	Free of copper and PTFE		
	RoHS-compliant		

Pin allocation

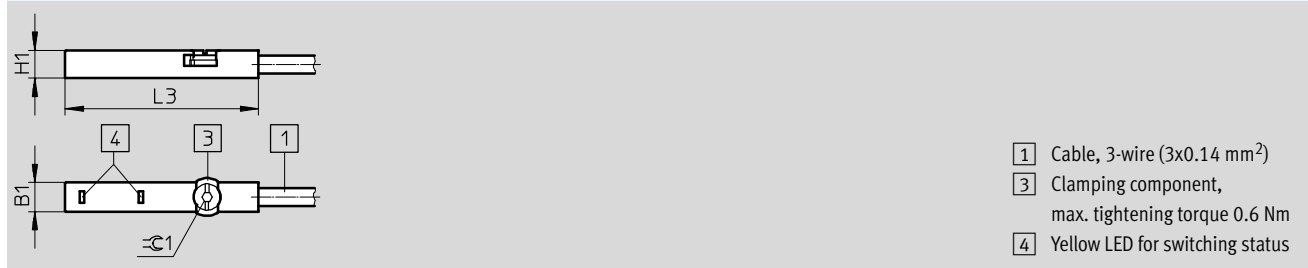


Core colours

BN = brown BK = black BU = blue

Dimensions

SIES-8M-...-OE Download CAD data → www.festo.com



	B1	H1	L3	⌀ C1
SIES-8M-...-24V-K-7,5-OE	5	4.6	31.8	1.5

Proximity sensors SIES-8M, inductive for T-slot

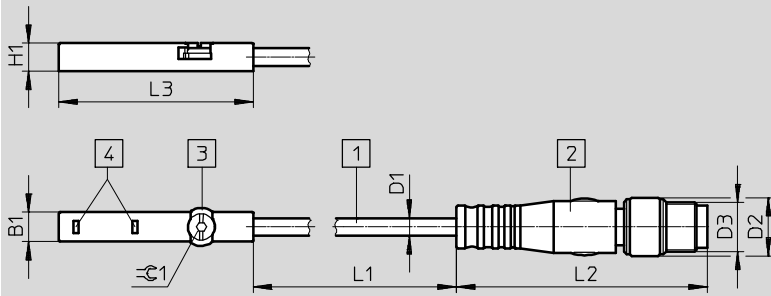
Technical data

FESTO

Dimensions

Download CAD data → www.festo.com



SIES-8M-...-M8D



- 1 Cable, 3-wire (3x0.14 mm²)
- 2 Plug, 3-pin, pin allocation to DIN EN 60947-5-2
- 3 Clamping component, max. tightening torque 0.3 Nm
- 4 Yellow LED for switching status

	B1	D1 ∅	D2 ∅	D3	H1	L1	L2	L3	≙ 1
SIES-8M-...-0,3-M8D	5	2.9	9.6	M8x1	4.6	300 ⁺⁵⁰	41.1	31.8	1.5
SIES-8M-...-2,5-M8D						2500 ⁺⁵⁰			
SIES-8M-...-5,0-M8D						5000 ⁺⁵⁰			
SIES-8M-...-7,5-M8D						7500 ⁺⁷⁵			
SIES-8M-...-10-M8D						10000 ⁺¹⁰⁰			

Ordering data

Size	S _n ¹⁾ [mm]	Mounting position	Switching output	Switching element function	Cable length [m]	Part No.	Type
Cable							
	1,5	Flush	PNP	N/O contact	7.5	551386	SIES-8M-PS-24V-K-7,5-OE
				N/C contact	7.5	551391	SIES-8M-PO-24V-K-7,5-OE
			NPN	N/O contact	7.5	551396	SIES-8M-NS-24V-K-7,5-OE
				N/C contact	7.5	551401	SIES-8M-NO-24V-K-7,5-OE
Cable with plug							
	1,5	Flush	PNP	N/O contact	0.3	551387	SIES-8M-PS-24V-K-0,3-M8D
					2.5	551388	SIES-8M-PS-24V-K-2,5-M8D
					5.0	551389	SIES-8M-PS-24V-K-5,0-M8D
					10	551390	SIES-8M-PS-24V-K-10-M8D
				N/C contact	0.3	551392	SIES-8M-PO-24V-K-0,3-M8D
					2.5	551393	SIES-8M-PO-24V-K-2,5-M8D
					5.0	551394	SIES-8M-PO-24V-K-5,0-M8D
					10	551395	SIES-8M-PO-24V-K-10-M8D
			NPN	N/O contact	0.3	551397	SIES-8M-NS-24V-K-0,3-M8D
					2.5	551398	SIES-8M-NS-24V-K-2,5-M8D
					5.0	551399	SIES-8M-NS-24V-K-5,0-M8D
				N/C contact	0.3	551402	SIES-8M-NO-24V-K-0,3-M8D
					2.5	551403	SIES-8M-NO-24V-K-2,5-M8D
					5.0	551404	SIES-8M-NO-24V-K-5,0-M8D
10	551405	SIES-8M-NO-24V-K-10-M8D					

1) S_n Rated operating distance [mm]

Proximity sensors SIES-8M, inductive for T-slot

Accessories



Sensor bracket SIEZ-8M

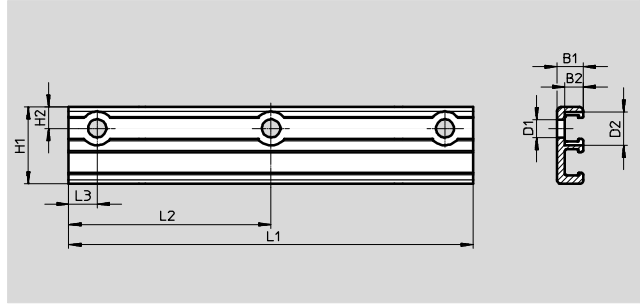
For mounting proximity sensors
SIES-8M on any housing

Material:

Wrought aluminium alloy, steel,
thermoplastic polyurethane elastomer

Note on material:

RoHS-compliant



Dimensions and ordering data											
Type	L1	L2	L3	D1 Ø	D2 Ø	H1	H2	B1	B2	Part No.	Type
SIEZ-8M-200	200	-	7	4.5	8.3	19	5.3	6.5	4.5	551406	SIEZ-8M-200
SIEZ-8M-400	400	200	7	4.5	8.3	19	5.3	6.5	4.5	551407	SIEZ-8M-400

Ordering data – Slot cover for T-slot				
	Assembly	Length	Part No.	Type
	Insertable from above	2x 0.5 m	563360	ABP-5-S1

Ordering data – Connecting cables M8x1				Technical data → Internet: nebu	
	Electrical connection, left	Electrical connection, right	Cable length [m]	Part No.	Type
	Straight socket, M8x1, 3-pin	Cable, open end, 3-wire	2.5	541333	NEBU-M8G3-K-2.5-LE3
			5	541334	NEBU-M8G3-K-5-LE3
			10	541332	NEBU-M8G3-K-10-LE3
	Angled socket, M8x1, 3-pin	Cable, open end, 3-wire	2.5	541338	NEBU-M8W3-K-2.5-LE3
			5	541341	NEBU-M8W3-K-5-LE3
			10	541335	NEBU-M8W3-K-10-LE3