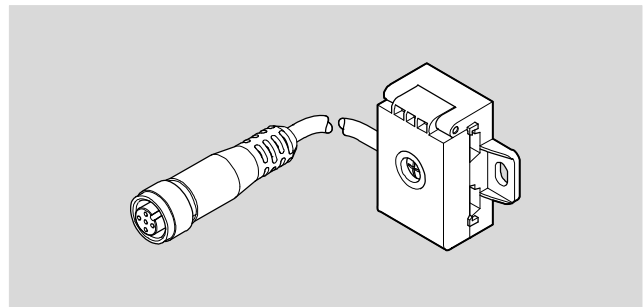


Electrical adapters NEFU, universal

Technical data

Cable socket NEFU-X2

- Cable socket for branching the AS-interface network at any desired point
- Reconnection from AS-interface flat cable to 5-pin M12 socket
- Reverse polarity protected



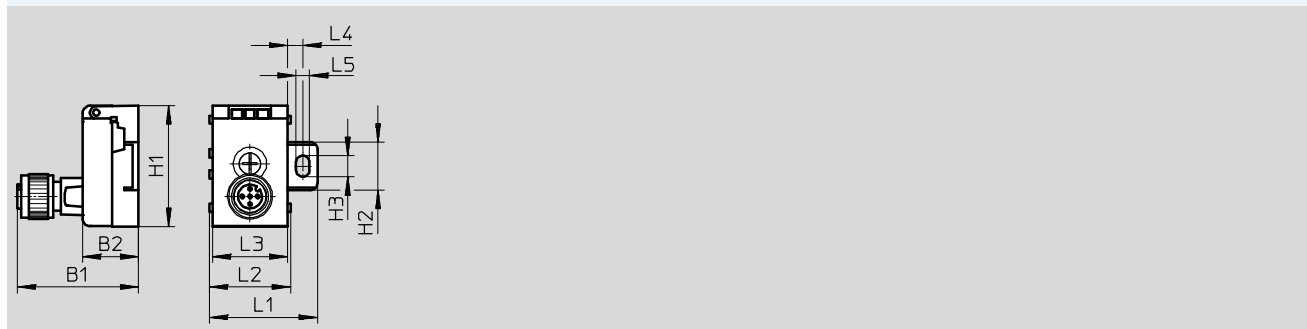
General technical data			
Type	NEFU-X22F-M12G4	NEFU-X24F-1-M12G4	NEFU-X24F-M12G4
Fieldbus interface	Socket, 4-pin, M12x1, A-coded		
Nominal operating voltage, AS-interface [V DC]	26.5		
Operating voltage, AS-interface [V DC]	26.5 ... 31.6		
Nominal operating voltage, load voltage [V DC]	-	24	24
Operating voltage, load voltage [V DC]	-	20.4 ... 26.4	20.4 ... 26.4
Type of mounting	Via through-hole		
Max. tightening torque [Nm]	1.65		
Protection class to EN 60529	IP65 (assembled)		

Materials	
Housing	PA
Cover	PA
Note on materials	RoHS-compliant

Operating and environmental conditions		
Ambient temperature [°C]	-25 ... +75	
Storage temperature [°C]	-25 ... +85	

Dimensions Download CAD data → www.festo.com

NEFU-X22F-M12G4 and NEFU-X24F-M12G4



Type	B1	B2	H1	H2	H3	L1	L2	L3	L4	L5
NEFU-X22F-M12G4	40	19	40	16	7	36	26	25	5	4
NEFU-X24F-M12G4										

Electrical adapters NEFU, universal

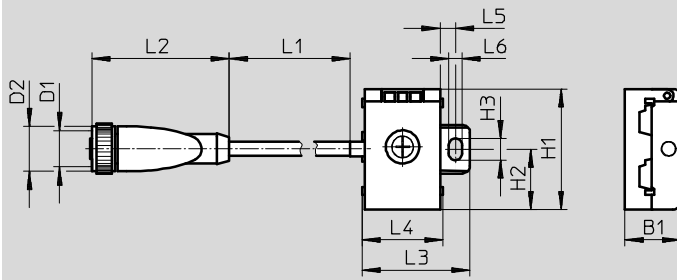
Technical data

FESTO

Dimensions

Download CAD data → www.festo.com

NEFU-X24F-1-M12G4



Type	B1	D1	D2	H1	H2	H3	L1	L2	L3	L4	L5	L6
NEFU-X24F-1-M12G4	19	M12	15	40	20	7	1000	45	36	26	5	4

Ordering data

	AS-interface connection	Weight	Cable length	Part No.	Type
	Without load voltage supply	30 g	–	572225	NEFU-X22F-M12G4
	With load voltage supply	30 g	–	572226	NEFU-X24F-M12G4
	With load voltage supply	60 g	1 m	572227	NEFU-X24F-1-M12G4

Ordering data – Accessories

	Designation		Part No.	Type
	Straight sensor plug for cable Ø 2.5 mm	M12, 4-pin	192008	SEA-4GS-7-2,5
	Straight sensor plug	M12, 4-pin, PG7	18666	SEA-GS-7
		M12, PG9, 4-pin	18778	SEA-GS-9
	Plug M12 for 2 connecting cables	4-pin, PG11	18779	SEA-GS-11-DUO
	Connecting cable, straight plug, straight socket	M12, 4-pin/5-pin, 0.2 m	542129	NEBU-M12G5-F-0.2-M12G4
		M12, 4-pin, 2.5 m	18684	KM12-M12-GSGD-2,5
		M12, 4-pin, 5 m	18686	KM12-M12-GSGD-5
	Connecting cable, straight plug, angled socket	M12, 4-pin, 1 m	185499	KM12 M12-GSWD-1-4