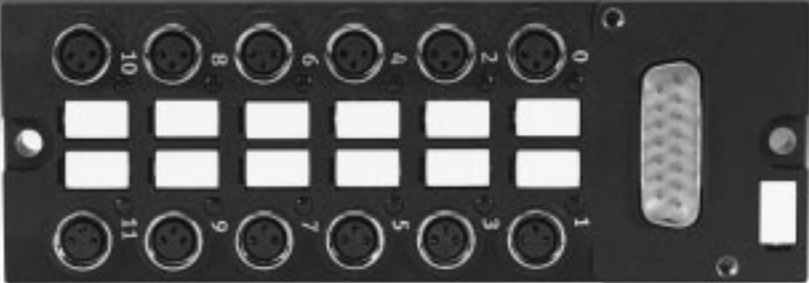


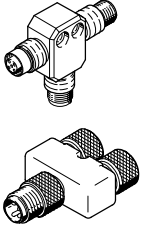
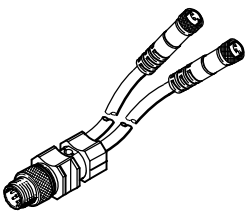
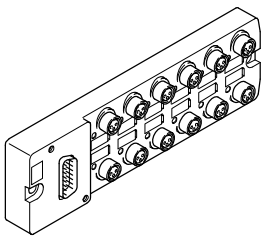
Distributor, universal



Distributor, universal

Product range overview

FESTO

Function	Version	Version	Type	Connection technology	Protection class	→ Page/ Internet
T-distributor 	Round plug M8					
	4-pin		NEDU-M8D3-M8T4	2x socket M8, 3-pin	IP65, IP67	3
	Round plug M12					
	3-pin		NEDU-L2R1-V8-M12G5-M12G5	1x socket M12, 5-pin 1x plug M12, 2-pin	IP65, IP67	5
	4-pin		NEDU-M8D3-M12T4	2x socket M8, 3-pin	IP65, IP67	7
			NEDU-M12D5-M12T4	2x socket M12, 4-pin	IP65, IP67	7
			NEDU-M12D4-M12T4-IS	2x socket M12, 4-pin	IP65, IP67	7
5-pin		FB-TA-M12	2x socket M12, 5-pin	IP67	10	
5-pin		NEDU-L2R1-V10-M12G5-M12G5	2x socket M12, 5-pin	IP65, IP67	10	
Y-connecting cable 	Open cable end					
	2-wire		FB-TA-1	Socket M12, 3-pin Plug M12, 3 pin	IP67	12
	Round plug M8					
	4-pin		NEDU-L2R1-M8G3-K-1L1-1L2-M8G4	2x socket M8, 3-pin	IP67	14
	Round plug M12					
	4-pin		KM12-DUO-M8	2x socket M8, 3-pin	IP67	16
	5-pin		FB-TA	2x socket M12, 5-pin	IP67	12
	Socket M12					
	5-pin		FB-TA	1x plug M12, 5-pin 1x socket M12, 5-pin	IP67	12
			FB-TA-1	1x plug M12, 5-pin 1x open cable end	IP67	12
8-pin		NEBV-M12G8-KD-3-M12G4	2x plug M12, 4-pin	IP67	18	
8-pin		NEDU-L1R2-V9-M12G8-...	2x open cable end	IP65, IP67	18	
Multiple distributor/ multi-pin plug distributor 	Open cable end					
	11-wire		MPV-E/A08-M12	8x socket M12, 5-pin	IP67	21
	Round plug M12					
	8-pin		NEDU-L4R1-M8G3L-M12G8	4x socket M8, 3-pin	IP68	24
			NEDU-L6R1-M8G3L-M12G8	6x socket M8, 3-pin	IP68	24
	Plug Sub-D					
15-pin		MPV-E/A08-M8	8x socket M8, 3-pin	IP65	27	
		MPV-E/A12-M8	12x socket M8, 3-pin	IP65	27	

T-distributor, plug M8, 4-pin

Technical data

FESTO

Push-in T-connector NEDU-M8

• T-adapter



General technical data		
Type of mounting		Screw-in
Mounting position		Any
Connection frequency		100
Nominal operating voltage	[V AC]	32
	[V DC]	32
Operating voltage range	[V AC]	32
	[V DC]	32
Acceptable current load	[A]	2
Protection class to EN 60529		IP65, IP67
Electrical connection		To EN 60947-5-2
Max. tightening torque	[Nm]	0.3
Product weight	[g]	9.5

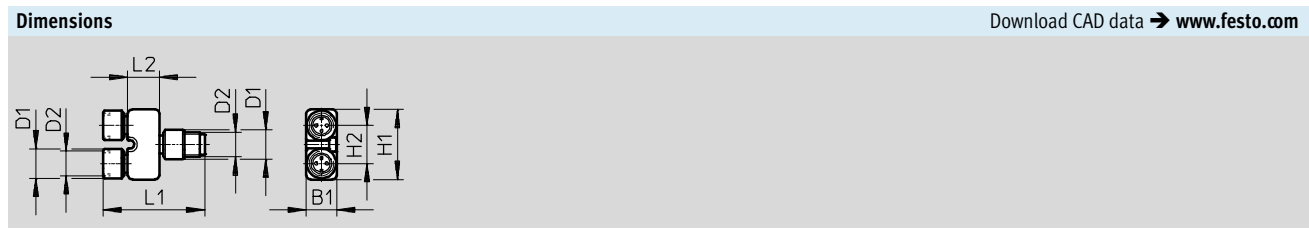
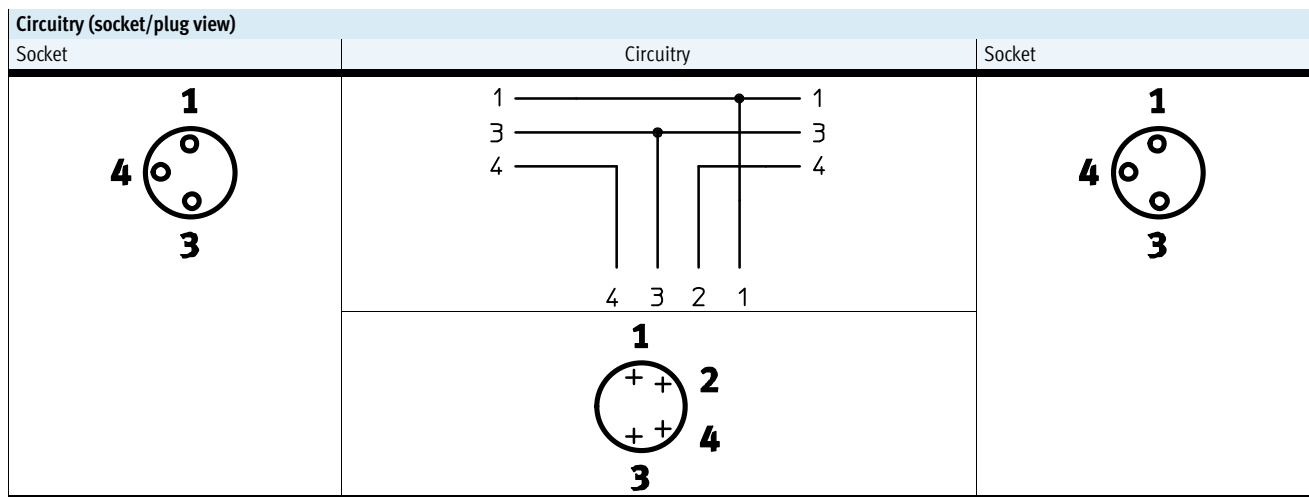
Materials	
Housing	PA
Housing colour	Black
Pin contacts	Gold-plated brass
Union nut	Chrome-plated and nickel-plated brass
Note on materials	Free of copper and PTFE

Operating and environmental conditions		
Ambient temperature	[°C]	-25 ... +85
Storage temperature	[°C]	-25 ... +85
Corrosion resistance class CRC ¹⁾		2

1) Corrosion resistance class 2 according to Festo standard 940 070
Components subject to moderate corrosion stress. Externally visible parts with primarily decorative surface requirements which are in direct contact with a normal industrial environment or media such as coolants or lubricating agents.

T-distributor, plug M8, 4-pin

Technical data



Type	B1	D1 ∅	D2	H1	H2	L1	L2
NEDU-M8D3-M8T4	10	9.7	M8	23	12.5	33.6	10.4

Ordering data			
Electrical connection		Part No.	Type
Plug M8, 4-pin	2x socket M8, 3-pin	544391	NEDU-M8D3-M8T4

T-distributor, plug M12, 4-pin

Technical data

FESTO

Push-in T-connector NEDU-L2R1-V8

- T-adapter
- For IO-Link



General technical data	
Electrical connection 3	Straight plug, M12, 3-pin, A-coded
Electrical connection 1	Straight socket, M12, 5-pin, A-coded
Electrical connection 2	Straight plug, M12, 2-pin, A-coded
Type of mounting	Screw-in
Max. tightening torque [Nm]	0.6
Operating voltage range [V DC]	0 ... 30
Surge strength [kV]	1.5
Acceptable current load [A]	4
Protection class to EN 60529	IP65, IP67, in assembled state
Product weight [g]	28

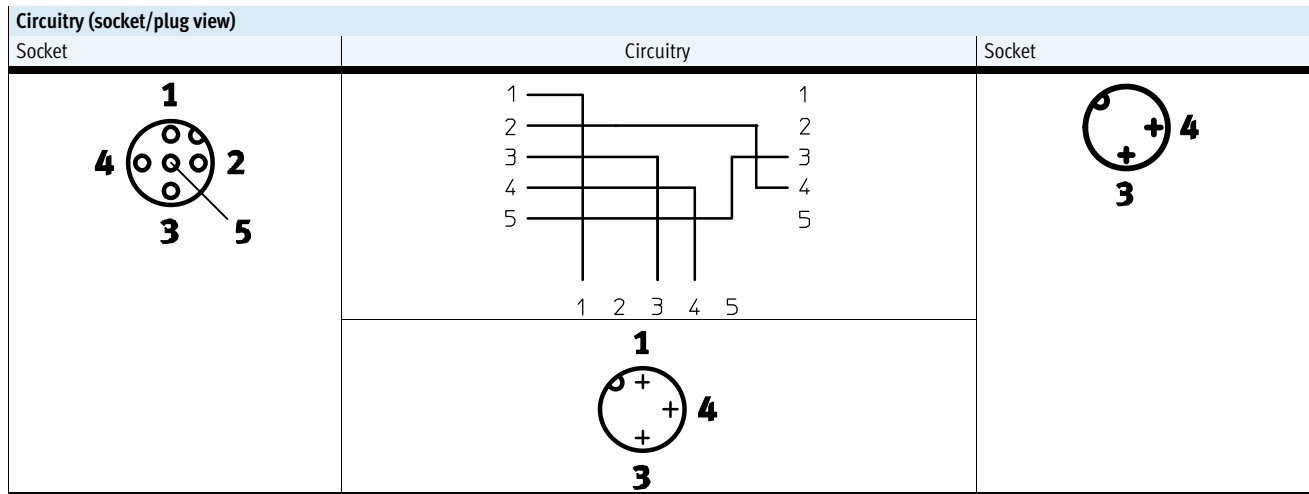
Materials	
Housing	TPE-U(PUR)
Housing colour	Black
Union nut	Die-cast zinc, nickel plated
Seals	FPM
Pin contacts	Gold-plated copper alloy
Note on materials	RoHS-compliant

Operating and environmental conditions	
Ambient temperature [°C]	-25 ... +85
Corrosion resistance class CRC ¹⁾	2
Degree of contamination	3

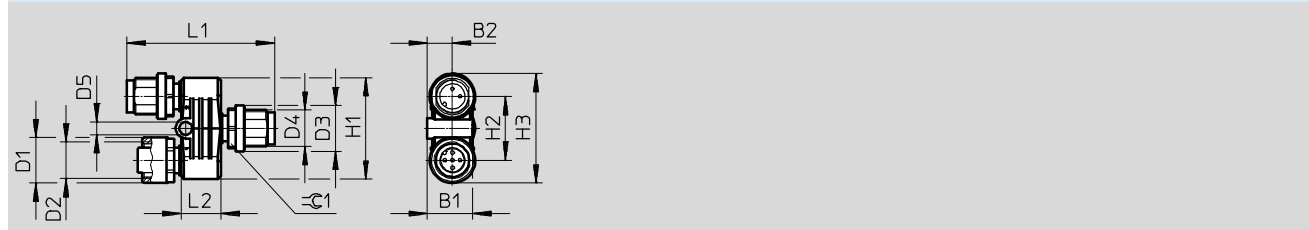
1) Corrosion resistance class 2 according to Festo standard 940 070
Components subject to moderate corrosion stress. Externally visible parts with primarily decorative surface requirements which are in direct contact with a normal industrial environment or media such as coolants or lubricating agents.

T-distributor, plug M12, 4-pin

Technical data



Dimensions Download CAD data → www.festo.com



Type	B1	B2	D1	D2	D3	D4	D5	H1	H2	H3	L1	L2	⊖ 1
NEDU-L2R1-V8	15	8.3	15	M12	15	M12	4.2	33.3	21	36	48.5	13.2	13

Ordering data

Electrical connection	Product weight [g]	Part No.	Type
Plug M12 A-coded, 3-pin	28	2839846	NEDU-L2R1-V8-M12G5-M12G5
1x socket M12 A-coded, 5-pin 1x plug M12 A-coded, 2-pin			

T-distributor, plug M12, 4-pin

Technical data

FESTO

Push-in T-connector NEDU-M

• T-adapter



General technical data			
Type	NEDU-M8D3-M12T4	NEDU-M12D4-M12T4-IS	NEDU-M12D5-M12T4
Type of mounting	Screw-in	Screw-in	Screw-in
Mounting position	Any	–	Any
Connection frequency	500	100	500
Nominal operating voltage	[V AC]	60	–
	[V DC]	60	–
Operating voltage range	[V AC]	60	–
	[V DC]	60	0 ... 30
Acceptable current load	[A]	4	–
Protection class to EN 60529	IP65, IP67	IP65, IP67	IP65, IP67
Based on standard	EN 60947-5-2	EN 61076-2-101	EN 60947-5-2
Max. tightening torque	[Nm]	0.3 with M8	0.5
	[Nm]	0.5 with M12	
Product weight	[g]	16.9	25.5

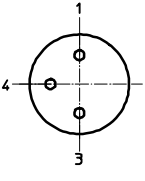
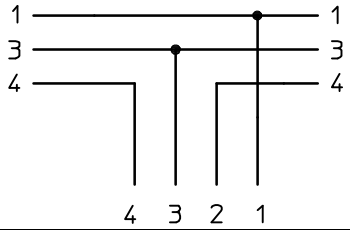
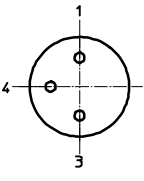
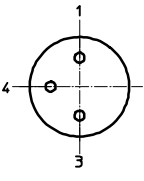
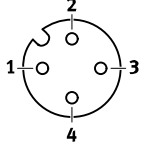
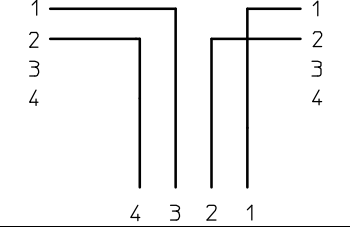
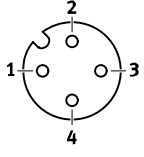
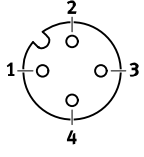
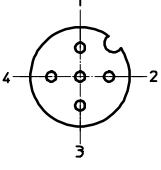
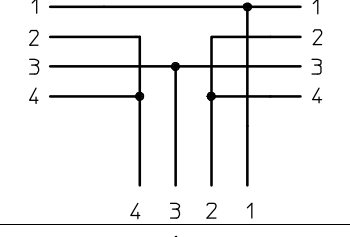
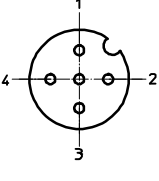
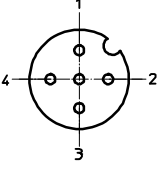
Materials			
Type	NEDU-M8D3-M12T4	NEDU-M12D4-M12T4-IS	NEDU-M12D5-M12T4
Housing	Reinforced TPE-U(PU)	Reinforced TPE-U(PU) Die-cast zinc	Reinforced TPE-U(PU)
Housing colour	Black	–	Black
Pin contacts	Gold-plated brass	Gold-plated copper alloy	Gold-plated brass
Union nut	Chrome-plated and nickel-plated brass	PA reinforced	Chrome-plated and nickel-plated brass
Seals	–	FPM	–
Note on materials	Free of copper and PTFE	RoHS-compliant	Free of copper and PTFE

Operating and environmental conditions			
Type	NEDU-M8D3-M12T4	NEDU-M12D4-M12T4-IS	NEDU-M12D5-M12T4
Ambient temperature	[°C]	–25 ... +85	–25 ... +85
Storage temperature	[°C]	–25 ... +85	–25 ... +85
Corrosion resistance class CRC	2 ¹⁾	3 ²⁾	2 ¹⁾

- 1) Corrosion resistance class 2 according to Festo standard 940 070
Components subject to moderate corrosion stress. Externally visible parts with primarily decorative surface requirements which are in direct contact with a normal industrial environment or media such as coolants or lubricating agents.
- 2) Corrosion resistance class 3 according to Festo standard 940 070
Components subject to high corrosion stress. Externally visible parts with primarily functional surface requirements which are in direct contact with a normal industrial environment or media such as solvents and cleaning agents.

T-distributor, plug M12, 4-pin

Technical data

Circuitry (socket/plug view)		
NEDU-M8D3-M12T4		
Socket	Circuitry	Socket
	 	
NEDU-M12D4-M12T4-IS		
Socket	Circuitry	Socket
	 	
NEDU-M12D5-M12T4		
Socket	Circuitry	Socket
	 	

T-distributor, plug M12, 4-pin

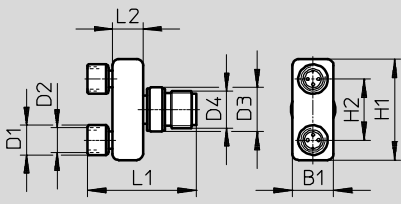
Technical data

FESTO

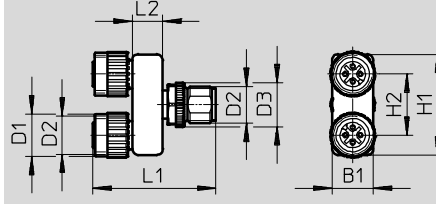
Dimensions

Download CAD data → www.festo.com

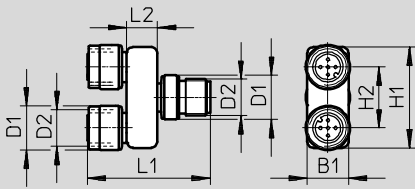
NEDU-M8D3-M12T4



NEDU-M12D4-M12T4-IS



NEDU-M12D5-M12T4



Type	B1	D1 ∅	D2	D3 ∅	D4	H1	H2	L1	L2
NEDU-M8D3-M12T4	13.5	9.7	M8	14.5	M12	33	20	35.6	10
NEDU-M12D4-M12T4-IS	13.5	14	M12	14.4	–	33	20	40.3	10
NEDU-M12D5-M12T4	13.5	14.5	M12	–	–	33	20	40.3	10

Ordering data

Electrical connection	Part No.	Type
Plug M12, A-coded, 4-pin	541597	NEDU-M8D3-M12T4
	562248	NEDU-M12D4-M12T4-IS
	541596	NEDU-M12D5-M12T4

T-distributor, plug M12, 5-pin

Technical data

FESTO

T-adapter
FB-TA
NEDU-L2R1-V10

- T-adapter
- Branch line for connecting and disconnecting fieldbus components
- Connected fieldbus components can be disconnected without interrupting signal transmission (to other components)



General technical data		
Type	FB-TA	NEDU-L2R1-V10
Electrical connection 3	Plug, M12, 5-pin	Straight plug, M12, 5-pin, A-coded
Electrical connection 1	Socket, M12, 5-pin	Straight socket, M12, 5-pin, A-coded
Electrical connection 2	Socket, M12, 5-pin	Straight socket, M12, 5-pin, A-coded
Type of mounting	Via through-hole	Screw-in
Max. tightening torque [Nm]	–	0.6
Operating voltage range [V DC]	10 ... 30	0 ... 30
Surge strength [kV]	–	1.5
Acceptable current load [A]	4	4
Protection class to EN 60529	IP67, in assembled state	IP65, IP67, in assembled state

Materials		
Type	FB-TA	NEDU-L2R1-V10
Housing	–	TPE-U(PUR)
Housing colour	–	Black
Union nut	–	Die-cast zinc, nickel plated
Seals	–	FPM
Pin contacts	–	Gold-plated copper alloy
Note on materials	–	RoHS-compliant

Operating and environmental conditions		
Type	FB-TA	NEDU-L2R1-V10
Ambient temperature [°C]	–25 ... +90	–25 ... +85
Corrosion resistance class CRC ¹⁾	–	2
Degree of contamination	–	3

1) Corrosion resistance class 2 according to Festo standard 940 070
 Components subject to moderate corrosion stress. Externally visible parts with primarily decorative surface requirements which are in direct contact with a normal industrial environment or media such as coolants or lubricating agents.

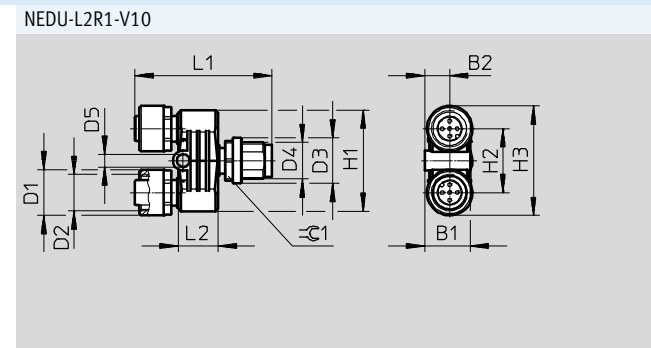
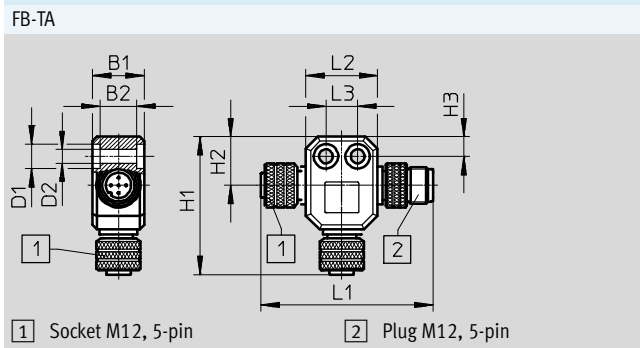
T-distributor, plug M12, 5-pin

Technical data



Circuitry (socket/plug view)		
	Circuitry	
FB-TA		
NEDU-L2R1-V10		

Dimensions Download CAD data → www.festo.com



Type	B1	B2	D1	D2	D3	D4	D5	H1	H2	H3	L1	L2	L3	≈C 1
FB-TA	17	12	8	4.5	-	-	-	45.2	16	6.5	57	23.5	10.4	-
NEDU-L2R1-V10	15	8.3	15	M12	15	M12	4.2	33.3	21	36	45	13.2	-	13

Ordering data			
Electrical connection	Product weight [g]	Part No.	Type
Plug M12, 5 pin	2x socket, M12, 5-pin	-	171175 FB-TA-M12-5POL
		25	2839867 NEDU-L2R1-V10-M12G5-M12G5

Y-connecting cable, socket M12, 5-pin

Technical data

T-adapter FB-TA

- Branch line for connecting and disconnecting fieldbus components
- Connected fieldbus components can be disconnected without interrupting signal transmission (to other components)



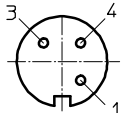
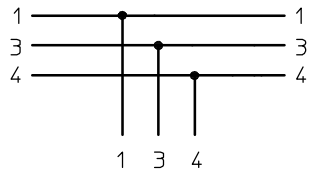
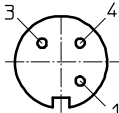
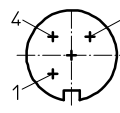
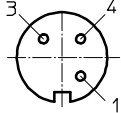
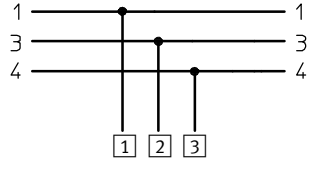
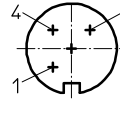
General technical data		
Type of mounting		Via union nut
Mounting position		Any
Operating voltage range	[V AC]	Max. 10
	[V DC]	Max. 30
Acceptable current load	[A]	4
Cable composition	[mm ²]	2x 0.25
Cable diameter	[mm]	5
Protection class to EN 60529		IP67

Materials	
Housing	PA
Cable sheath	PVC
Pin contacts	Nickel-plated/tin-plated brass

Operating and environmental conditions		
Ambient temperature	[°C]	-25 ... +90

Y-connecting cable, socket M12, 5-pin

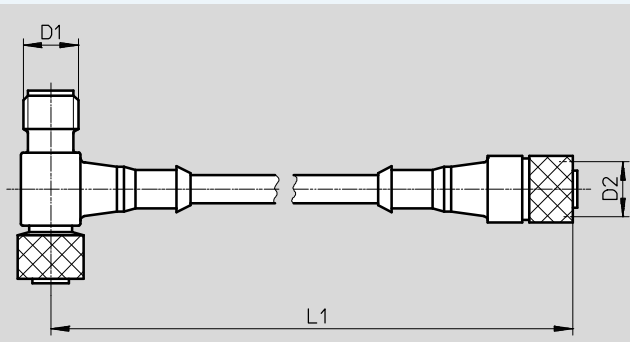
Technical data

Circuitry (socket/plug view)		
FB-TA		
Socket	Circuitry	Plug
	 	
FB-TA-1		
Socket	Circuitry	Plug
	 <ul style="list-style-type: none"> 1 White 2 Black 3 Screening 	

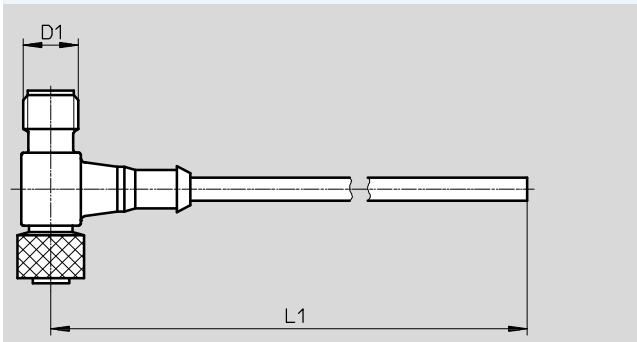
Dimensions

Download CAD data → www.festo.com

FB-TA



FB-TA-1



Type	D1	D2	L1
FB-TA	M12	M12	150
FB-TA-1	M12	-	140

Ordering data

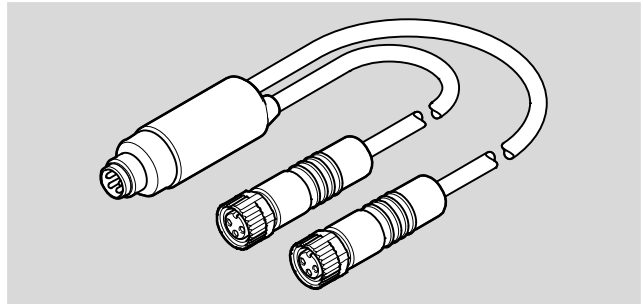
Electrical connection	Weight [g]	Part No.	Type
Plug M12, 5 pin	37	18498	FB-TA
Open cable end, 2-wire	23	18499	FB-TA-1

Y-connecting cable, plug M8, 4-pin

Technical data

DUO cable NEDU-L2

- Y-connecting cable
- For connecting 2 sensors to an input socket with double allocation

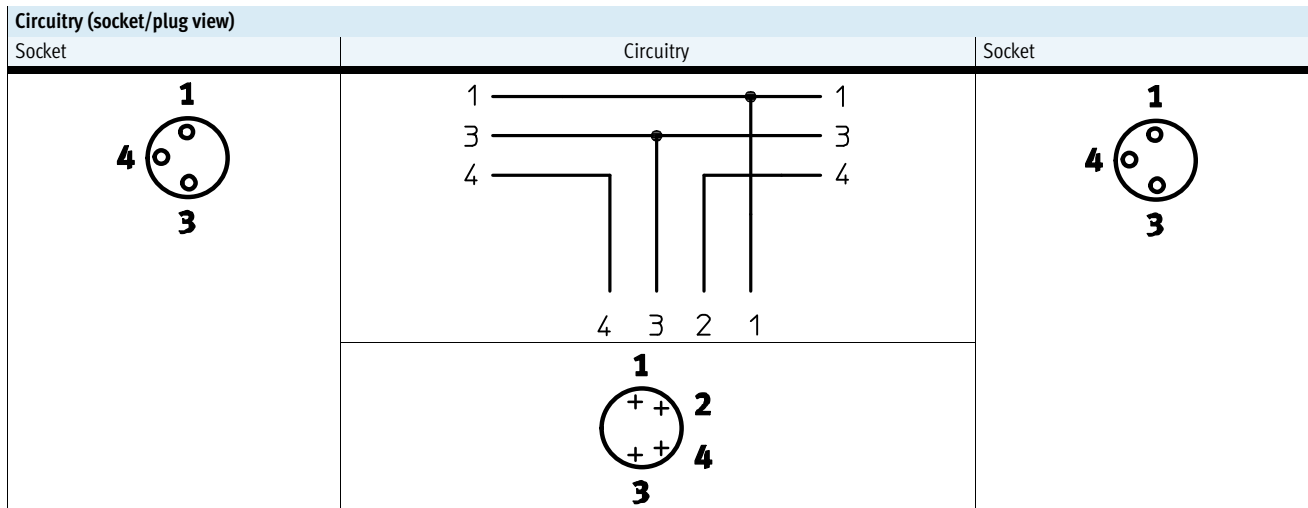


General technical data		
Operating voltage range	[V AC]	0 ... 60
Acceptable current load	[A]	2
Surge resistance	[kV]	1.5
Cable diameter	[mm]	3.1
Cable length	[m]	1
Protection class to EN 60529		IP67

Materials	
Housing	PUR
Socket	PUR
Pin contacts	Gold-plated brass
Note on materials	RoHS-compliant
Corrosion resistance class CRC ¹⁾	1

1) Corrosion resistance class 1 according to Festo standard 940 070
 Components subject to low corrosion stress. Transport and storage protection. Parts that do not have primarily decorative surface requirements, e.g. in internal areas that are not visible or behind covers.

Operating and environmental conditions		
Ambient temperature	[°C]	-25 ... +85

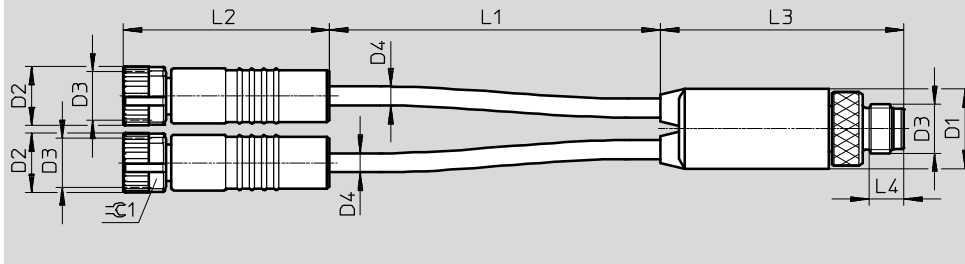


Y-connecting cable, plug M8, 4-pin

Technical data

Dimensions

Download CAD data → www.festo.com



Type	D1	D2	D3	D4	L1	L2	L3	L4	∠C1
NEDU-L2R1-M8G3-K-1L1-1L2-M8G4	∅ 13	∅ 9.7	∅ M8	∅ 3.1	1000	33.8	39.9	4.7	9

Ordering data

Electrical connection		Part No.	Type
Plug M8, 4 pin	2x socket M8, 3-pin	574591	NEDU-L2R1-M8G3-K-1L1-1L2-M8G4

Y-connecting cable, plug M12, 4-pin

Technical data

DUO cable KM12-DUO

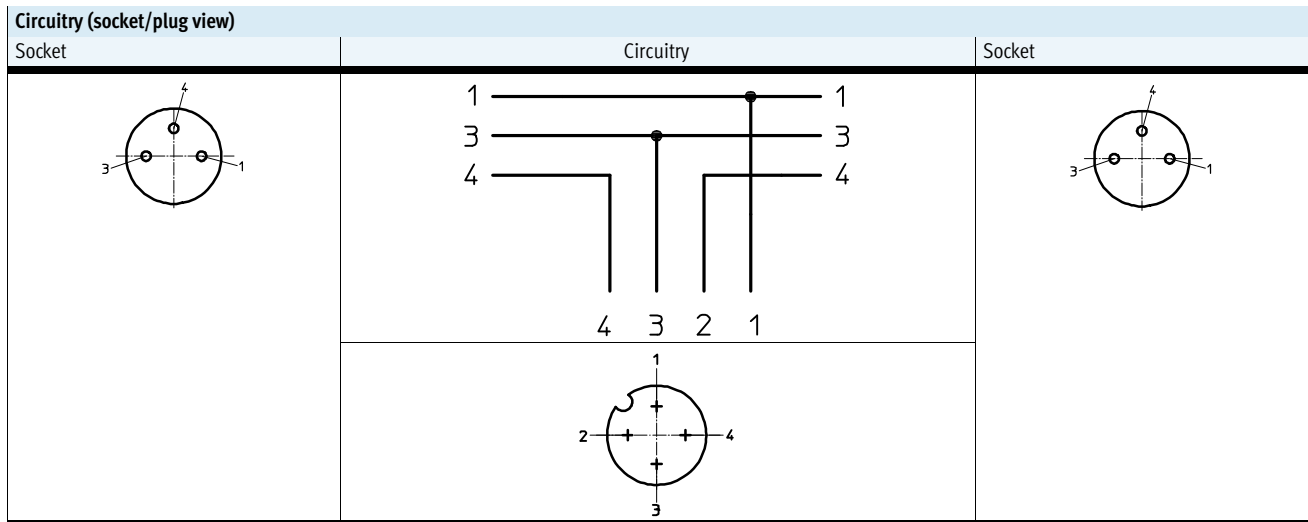
- Y-connecting cable
- For connecting 2 sensors to an input socket with double allocation



General technical data		
Type of mounting	Via through-hole, via threaded connector, via union nut	
Mounting position	Any	
Operating voltage range	[V AC]	Max. 60
	[V DC]	Max. 75
Acceptable current load	[A]	2.8
Cable composition	[mm ²]	2x 3x 0.25
Cable diameter	[mm]	4.5
Cable length	[m]	0.6
Protection class to EN 60529	IP67	

Materials	
Housing	PUR
Cable sheath	PUR
Cable sheath colour	Grey
Pin contacts	Gold-plated brass
Union nut	Nickel-plated brass

Operating and environmental conditions		
Ambient temperature	[°C]	-30 ... +70
Ambient temperature with flexible cable installation	[°C]	-5 ... +70

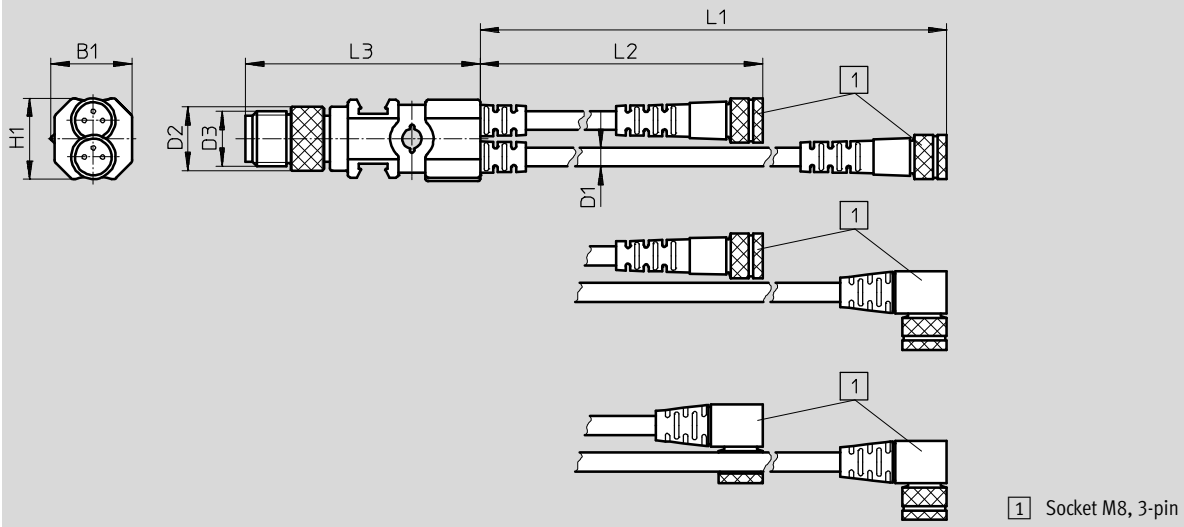


Y-connecting cable, plug M12, 4-pin

Technical data

Dimensions

Download CAD data → www.festo.com



Type	B1	D1 Ø	D2 Ø	D3 Ø	H1	L1	L2	L3
KM12-DUO-M8	17	4.5	14	M12	17.5	600	500	51.5

Ordering data

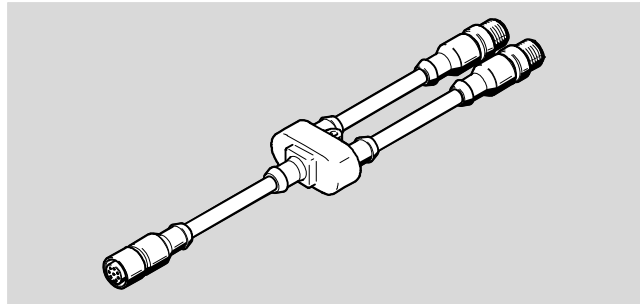
Electrical connection		Outlet direction socket M8	Weight [g]	Part No.	Type
Plug M12, 4-pin	2x socket M8, 3-pin	Straight - straight	61	18685	KM12-DUO-M8-GDGD
		Straight - angled	61	18688	KM12-DUO-M8-GDWD
		Angled - angled	61	18687	KM12-DUO-M8-WDWD

Y-connecting cable, socket M12, 8-pin

Technical data

Connecting cable NEBV-M12G8
DUO cable NEDU-L1R2-V9

- Y-connecting cable



General technical data		
Type	NEBV-M12G8	NEDU-L1R2-V9
Conforms to	EN 61076-2-101	–
Cable composition	[mm ²]	8x 0.25, screened
	[mm ²]	–
Cable diameter	[mm]	6.3
	[mm]	–
Cable length	[m]	3
		–
Assembly position	Any	Any
Operating voltage range	[V AC]	0 ... 30
	[V DC]	0 ... 30
Surge strength	[kV]	0.8
Acceptable current load	[A]	1.5
at 40 °C	[A]	2
Cable characteristics	Standard	–
Min. cable bending radius	[mm]	66
Protection class to EN 60529	IP67 in mounted status	IP65, IP67 in mounted status

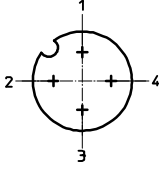
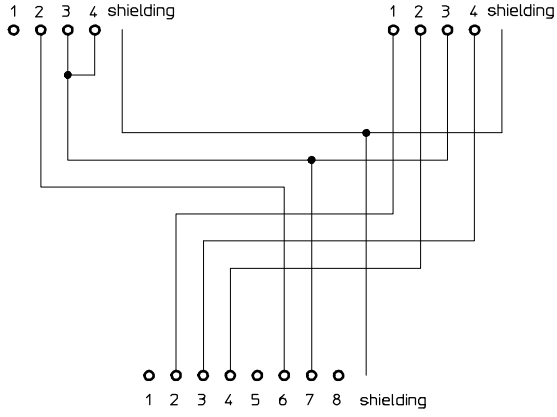
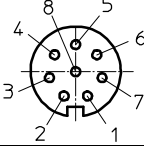
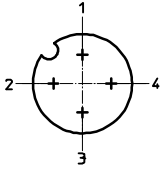
Materials		
Type	NEBV-M12G8	NEDU-L1R2-V9
Housing	TPE-U	TPE-U(PU), reinforced
Housing colour	–	Black
Cable sheath	TPE-U(PUR)	TPE-U(PUR)
Cable sheath colour	Grey	Black
Union nut	Nickel-plated brass	Nickel-plated brass
Seals	–	FPM
Plug contacts	Nickel-plated and gold-plated bronze	–
Note on materials	RoHS-compliant	RoHS-compliant

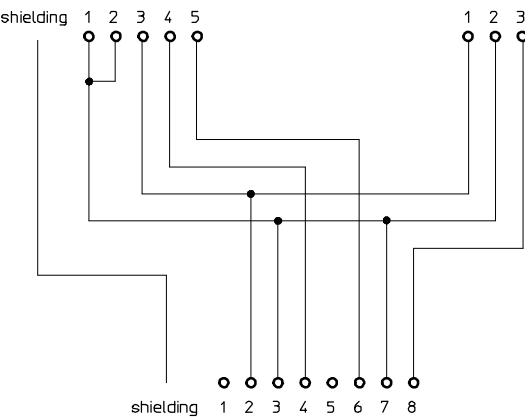
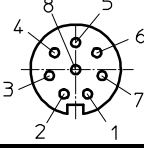
Operating and environmental conditions		
Type	NEBV-M12G8	NEDU-L1R2-V9
Ambient temperature	[°C]	–25 ... +85
Ambient temperature with flexible cable installation	[°C]	0 ... +80
Corrosion resistance class CRC ¹⁾	–	2
Degree of contamination	3	3

1) Corrosion resistance class 2 according to Festo standard 940 070
Components subject to moderate corrosion stress. Externally visible parts with primarily decorative surface requirements which are in direct contact with a normal industrial environment or media such as coolants or lubricating agents.

Y-connecting cable, socket M12, 8-pin

Technical data

Circuitry (socket/plug view) – NEBV-M12G8		
Plug	Circuitry	Plug
	<p>A (AI module) B (AO module)</p>  <p style="text-align: center;">C</p> 	

Circuitry (socket/plug view) – NEDU-L1R2-V9				
Electrical connection 2		Circuitry	Electrical connection 1	
Core colour ¹⁾	No.		No.	Core colour ¹⁾
WH	1		1	BN
BU	2		2	BU
BN	3		3	BK
BK	4			
GY	5			
				

1) To IEC 757

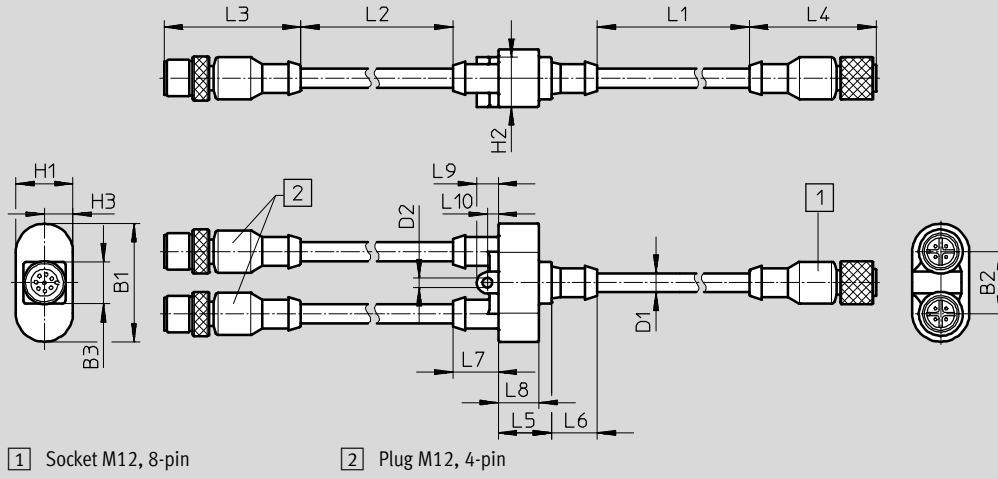
Y-connecting cable, socket M12, 8-pin

Technical data

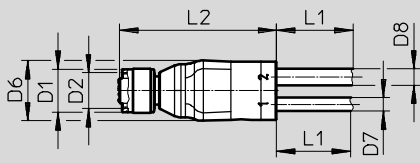
Dimensions

Download CAD data → www.festo.com

NEBV-M12G8



NEDU-L1R2-V9



Type	B1	B2	B3	D1	D2	D6	D7	D8	H1	H2	H2	L1	L2	L3	L4	L5	L6	L7	L8	L9	L10
NEBV-M12G8	38.8	20.5	13.8	6.3	3.2	-	-	-	18.8	16.3	9.4	2500	500	44.9	41.7	17.5	15	15	13.3	7.1	3.6
NEDU-L1R2-V9	-	-	-	14.5	M12	20	4.5	5.3	-	-	-	5000	51.6	-	-	-	-	-	-	-	-

Ordering data

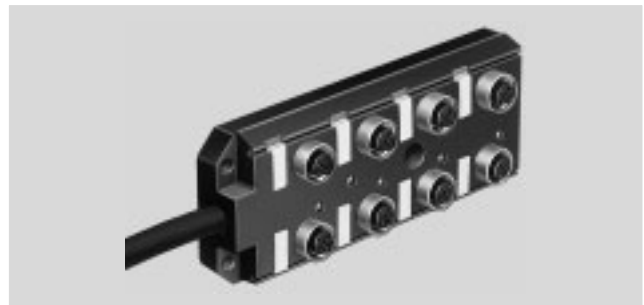
Electrical connection	Product weight [g]	Part No.	Type
Socket M12, 8-pin	247	547888	NEBV-M12G8-KD-3-M12G4 • Plug M12, 4-pin • Plug M12, 4-pin
Socket M12, 8-pin, A-coded	377	2903567	NEDU-L1R2-V9-M12G8-E-LE5-5R1-LE3-5R2 • Open cable end, 3-core • Open cable end, 5-core

Multi-pin plug distributor, open cable end 11-wire, socket M12, 5-pin

Technical data

Multi-pin plug distributor MPV

- Multi-pin plug distributor



General technical data	
Electrical connection technology for I/O	M12, 5-pin
Type of mounting	Via through-hole
Operating voltage range [V DC]	10 ... 30
Acceptable current load [A]	12
Acceptable current load per slot [A]	4
Protection class to EN 60529	IP67 in mounted status

Materials	
Housing	TPE-U (PU)
Cable sheath	TPE-U (PU)
Socket	Galvanized brass

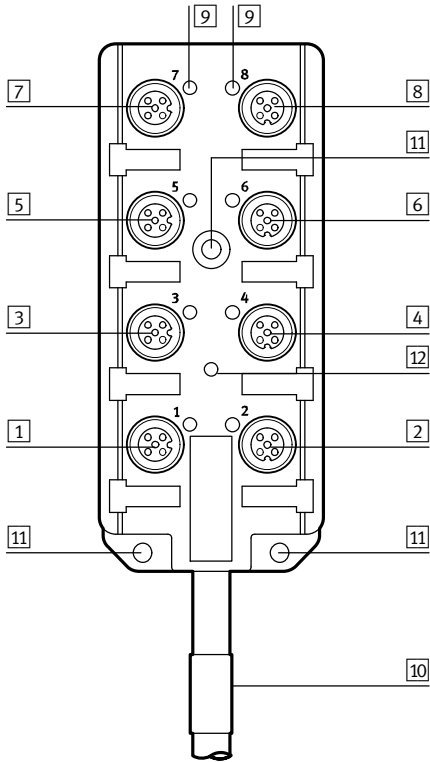
Operating and environmental conditions	
Ambient temperature [°C]	-20 ... +80

Multi-pin plug distributor, open cable end 11-wire, socket M12, 5-pin

Technical data

FESTO

Connection and display components



- 1 Sensor connection, location 1
- 2 Sensor connection, location 2
- 3 Sensor connection, location 3
- 4 Sensor connection, location 4
- 5 Sensor connection, location 5
- 6 Sensor connection, location 6
- 7 Sensor connection, location 7
- 8 Sensor connection, location 8
- 9 Green LED for status display (one LED per input)
- 10 Multi-pin plug connection/ multi-pin cable
- 11 Mounting holes
- 12 Ready status display

Circuitry (socket/plug view)

Individual connection		Allocation		Multi-pin plug connection		Allocation		Individual connection		
	Location	Pin		Wire colour ¹⁾				Pin	Location	
	1	1	24 DC V	BN	BN	24 DC V	1	2		
		2	n.c.	-	-	n.c.	2			
		3	0 V	BU	BU	0 V	3			
		4	Input 1	WH	GN	Input 2	4			
		5	PU	GN YE	GN YE	PU	5			
	3	1	24 DC V	BN	BN	24 DC V	1	4		
		2	n.c.	-	-	n.c.	2			
		3	0 V	BU	BU	0 V	3			
		4	Input 3	YE	GY	Input 4	4			
		5	PU	GN YE	GN YE	PU	5			
	5	1	24 DC V	BN	BN	24 DC V	1	6		
		2	n.c.	-	-	n.c.	2			
		3	0 V	BU	BU	0 V	3			
		4	Input 5	PK	RD	Input 6	4			
		5	PU	GN YE	GN YE	PU	5			
	7	1	24 DC V	BN	BN	24 DC V	1	8		
		2	n.c.	-	-	n.c.	2			
		3	0 V	BU	BU	0 V	3			
		4	Input 7	BK	VT	Input 8	4			
		5	PU	GN YE	GN YE	PU	5			

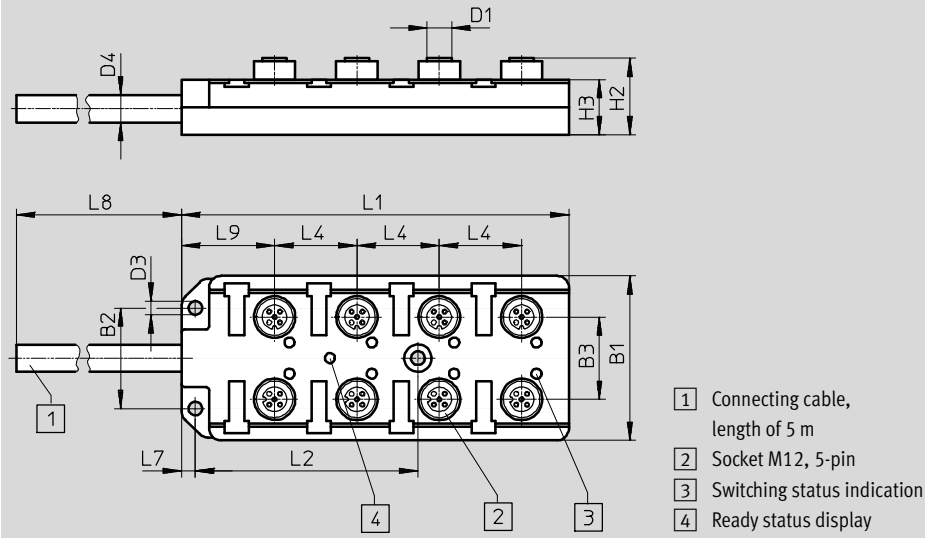
1) To IEC 757

Multi-pin plug distributor, open cable end 11-wire, socket M12, 5-pin

Technical data

Dimensions

Download CAD data → www.festo.com




Type	B1	B2	B3	D1	D3 ∅	D4 ∅	H2	H3	L1	L2	L4	L7	L8	L9
MPV-E/A08-M12	54	33	27	M12	4.5	9	25	18	127	73	27	4.5	5000	30.5

Ordering data

Electrical connection	Weight [g]	Part No.	Type
Open cable end, 11-pin		177671	MPV-E/A08-M12

Ordering data – Accessories

Designation	Part No.	Type
Cover cap	165592	ISK-M12
 Cover cap for sealing unused sockets (10 pieces)	For M12 connections	

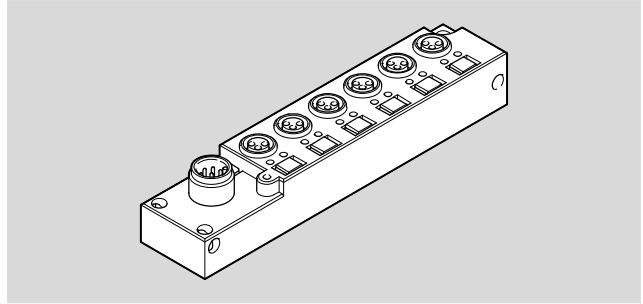
Multi-pin plug distributor, plug M12, 8-pin, socket M8, 3-pin

Technical data

FESTO

Multi-pin plug distributor NEDU-L

- Multi-pin plug distributor
- Particularly compact



General technical data	
Electrical connection	Straight plug, M12, 8-pin
	Straight socket, M8, 3-pin
Mounting position	Any
Operating voltage range [V DC]	10 ... 30
Acceptable current load [A]	3
Acceptable current load per slot [A]	2
Ready status display	Green LED
Status display	Yellow LED
Protection class to EN 60529	IP68

Materials	
Housing	PBT, reinforced
Housing colour	Grey
Seals	FPM
Pin contacts	Nickel-plated and gold-plated
Socket	Nickel-plated brass
Corrosion resistance class CRC ¹⁾	3

1) Corrosion resistance class 3 according to Festo standard 940 070
Components subject to high corrosion stress. Externally visible parts with primarily functional surface requirements which are in direct contact with a normal industrial environment or media such as solvents and cleaning agents.

Operating and environmental conditions	
Ambient temperature [°C]	-20 ... +80

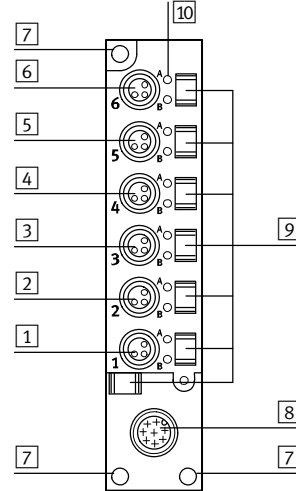
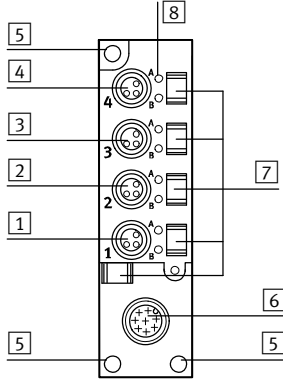
Multi-pin plug distributor, plug M12, 8-pin, socket M8, 3-pin

Technical data

Connection and display components

NEDU-L4R1-M8G3L-M12G8

NEDU-L6R1-M8G3L-M12G8



- 1 Sensor connection, location 1
- 2 Sensor connection, location 2
- 3 Sensor connection, location 3
- 4 Sensor connection, location 4
- 5 Mounting holes

- 6 Multi-pin plug connection
- 7 Holder for inscription label (ASLR-L-55)
- 8 LED for status display

- 1 Sensor connection, location 1
- 2 Sensor connection, location 2
- 3 Sensor connection, location 3
- 4 Sensor connection, location 4
- 5 Sensor connection, location 5
- 6 Sensor connection, location 6

- 7 Mounting holes
- 8 Multi-pin plug connection
- 9 Holder for inscription label (ASLR-L-55)
- 10 LED for status display

Circuitry (socket/plug view)

Individual connection		Allocation		Multi-pin plug connection	
	Location	Pin		Pin	
	1	1	+UB	5	
		3	-UB	7	
		4	Input 1	1	
	2	1	+UB	5	
		3	-UB	7	
		4	Input 2	2	
	3	1	+UB	5	
		3	-UB	7	
		4	Input 3	3	
	4	1	+UB	5	
		3	-UB	7	
		4	Input 4	4	
	5	1	+UB	5	
		3	-UB	7	
		4	Input 5	6	
	6	1	+UB	5	
		3	-UB	7	
		4	Input 6	8	

Multi-pin plug distributor, plug M12, 8-pin, socket M8, 3-pin

Technical data

Download CAD data → www.festo.com

1 Plug M12, 8-pin

2 Socket M8, 3-pin

Type	B1	B2	B3	B4	D1	D2	H1	H2	H3	L1	L2	L3	L4	L5	L6
NEDU-L4R1-M8G3L-M12G8	24	17	12	8.4	4.2	4.2	23	18.2	9	87	80	14.5	21	13	3.5
NEDU-L6R1-M8G3L-M12G8	24	17	12	8.4	4.2	4.2	23	18.2	9	113	106	14.5	21	13	3.5

Ordering data		Weight [g]	Part No.	Type
Electrical connection	Plug M12, 8 pin	4x socket, M8, 3-pin	574586	NEDU-L4R1-M8G3L-M12G8
		6x socket, M8, 3-pin	574587	NEDU-L6R1-M8G3L-M12G8

Ordering data – Accessories		Part No.	Type
Designation			
Connecting cable			
	Socket M12, 8-pin, angled	Open cable end, 8-wire	Length: 2 m 542256 NEBU-M12W8-2-N-LE8
			Length: 5 m 542257 NEBU-M12W8-5-N-LE8
			Length: 10 m 570007 NEBU-M12W8-10-N-LE8
	Socket M12, 8-pin, straight	Open cable end, 8-wire	Length: 2 m 525616 SIM-M12-8GD-2-PU
			Length: 5 m 525618 SIM-M12-8GD-5-PU
			Length: 10 m 570008 SIM-M12-8GD-10-PU
	Plug M12, 8-pin, straight	Length: 2 m 525617 KM12-8GD8GS-2-PU	
Cover cap			
	Cover cap for sealing unused sockets (10 pieces)	For M12 connections	165592 ISK-M12
Inscription label			
	Inscription labels in frames, pack of 1000	5x5 mm	574590 ASLR-L-55

Multi-pin plug distributor, plug Sub-D, 15-pin, socket M8, 3-pin

Technical data

Multi-pin plug distributor MPV

- Multi-pin plug distributor



General technical data	
Electrical connection technology for I/O	M8, 3-pin
Type of mounting	Either via H-rail or through-hole
Operating voltage range [V DC]	10 ... 30
Acceptable current load [A]	4
Acceptable current load per slot [A]	1
Protection class to EN 60529	IP65 in mounted status

Materials	
Housing	Reinforced PA6
Socket	Brass

Operating and environmental conditions	
Ambient temperature [°C]	-20 ... +80

Multi-pin plug distributor, plug Sub-D, 15-pin, socket M8, 3-pin

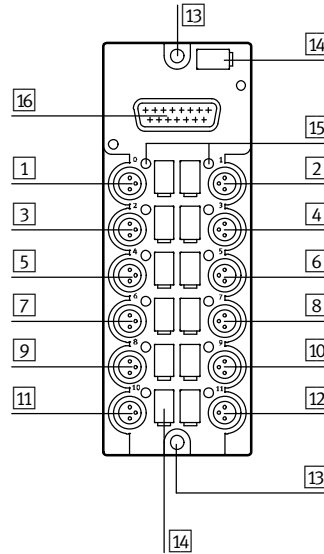
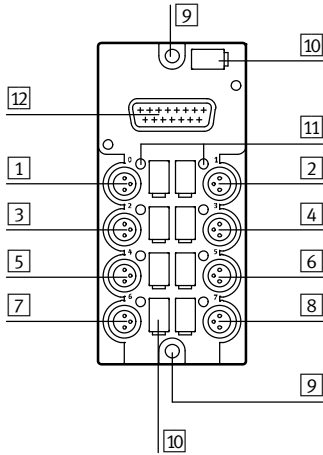
Technical data

FESTO

Connection and display components

MPV-E/A08-M8

MPV-E/A12-M8



- 1 Sensor connection, location 1
- 2 Sensor connection, location 2
- 3 Sensor connection, location 3
- 4 Sensor connection, location 4
- 5 Sensor connection, location 5
- 6 Sensor connection, location 6
- 7 Sensor connection, location 7
- 8 Sensor connection, location 8
- 9 Mounting holes
- 10 Holder for inscription label (IBS-6x10)
- 11 LED for status display
- 12 Multi-pin plug connection

- 1 Sensor connection, location 1
- 2 Sensor connection, location 2
- 3 Sensor connection, location 3
- 4 Sensor connection, location 4
- 5 Sensor connection, location 5
- 6 Sensor connection, location 6
- 7 Sensor connection, location 7
- 8 Sensor connection, location 8
- 9 Sensor connection, location 9
- 10 Sensor connection, location 10
- 11 Sensor connection, location 11
- 12 Sensor connection, location 12
- 13 Mounting holes
- 14 Holder for inscription label (IBS-6x10)
- 15 LED for status display
- 16 Multi-pin plug connection

Circuitry (socket/plug view)

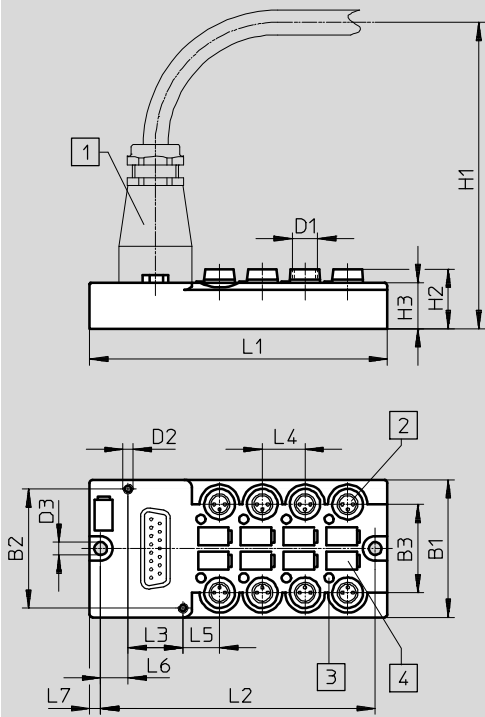
Individual connection	Allocation		Multi-pin plug connection		Allocation		Individual connection	
	Location	Pin	Pin	Pin	Pin	Pin	Location	
	1	1	24 DC V	13	13	24 DC V	2	
		3	0 V	14/15	14/15	0 V		3
		4	Input 1	1	2	Input 2		4
	3	1	24 DC V	13	13	24 DC V	4	
		3	0 V	14/15	14/15	0 V		3
		4	Input 3	3	4	Input 4		4
	5	1	24 DC V	13	13	24 DC V	6	
		3	0 V	14/15	14/15	0 V		3
		4	Input 5	5	6	Input 6		4
	7	1	24 DC V	13	13	24 DC V	8	
		3	0 V	14/15	14/15	0 V		3
		4	Input 7	7	8	Input 8		4
9	1	24 DC V	13	13	24 DC V	10		
	3	0 V	14/15	14/15	0 V		3	
	4	Input 9	9	10	Input 10		4	
11	1	24 DC V	13	13	24 DC V	12		
	3	0 V	14/15	14/15	0 V		3	
	4	Input 11	11	12	Input 12		4	

Multi-pin plug distributor, plug Sub-D, 15-pin, socket M8, 3-pin

Technical data

Dimensions

Download CAD data → www.festo.com



- 1 Connecting cable
- 2 Socket M8, 3-pin
- 3 Switching status indication
- 4 Inscription label

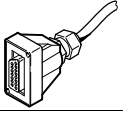
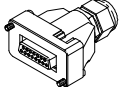
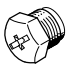

Type	B1	B2	B3	D1	D2	D3 Ø	H1	H2	H3	L1	L2	L3	L4	L5	L6	L7
MPV-E/A08-M8	45	39	29	M8	M3	4.2	126	19.5	15	98	90	18	14	12	9	4
MPV-E/A12-M8	45	39	29	M8	M3	4.2	126	19.5	15	126	118	18	14	12	9	4

Multi-pin plug distributor, plug Sub-D, 15-pin, socket M8, 3-pin

FESTO

Accessories

Ordering data				
Electrical connection		Weight [g]	Part No.	Type
Plug Sub-D, 15-pin	Socket M8x8	100	177669	MPV-E/A08-M8
	Socket M8x12	120	177670	MPV-E/A12-M8

Ordering data – Accessories				
Designation			Part No.	Type
Multi-pin plug connection				
	Plug socket with cable <ul style="list-style-type: none"> • Socket Sub-D, 15-pin • Open cable end, 15-wire 	5 m	177673	KMPV-SUB-D-15-5
		10 m	177674	KMPV-SUB-D-15-10
	Socket Sub-D, 15-pin		177675	SD-SUB-D-BU15
Cover cap				
	Cover cap for sealing unused sockets (10 pieces)	For M8 connections	177672	ISK-M8
Inscription label				
	Inscription labels in frames, pack of 64	6x10 mm	18576	IBS-6x10