

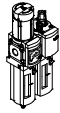
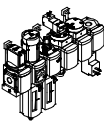


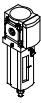
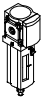

Lubricators MS-LOE, MS series



Lubricators MS-LOE, MS series

Product range overview – MS series service units



Type	Size	Pneumatic connection in housing	Connecting plate	Pressure regulation range [bar]						Grade of filtration [µm]			
				0.05 ...	0.05 ...	0.1 ...	0.3 ...	0.1 ...	0.5 ...	0.01	1	5	40
Code			AG.../AQ...	D2	D4	D5	D6	D7	D8	A	B	C	E
Service unit combinations													
MSB-FRC 	4	G1/8, G1/4	G1/8, G1/4, G3/8	-	-	-	■	■	-	-	-	■	■
	6	G1/4, G3/8, G1/2	G1/4, G3/8, G1/2, G3/4	-	-	-	■	■	-	-	-	■	■
	9	-	-	-	-	-	-	-	-	-	-	-	-
	12	-	-	-	-	-	-	-	-	-	-	-	-
Service unit combinations (further variants can be ordered using the configurator → Internet: msb4, msb6 or msb9)													
MSB 	4	G1/4	G1/8, G1/4, G3/8	-	-	-	■	■	-	-	-	■	■
	6	G1/2	G1/4, G3/8, G1/2, G3/4	-	-	-	■	■	-	-	-	■	■
	9	-	-	-	-	-	-	-	-	-	-	-	-
	12	-	-	-	-	-	-	-	-	-	-	-	-
Individual devices													
Filter regulators MS-LFR 	4	G1/8, G1/4	G1/8, G1/4, G3/8	-	-	■	■	■	-	-	-	■	■
	6	G1/4, G3/8, G1/2	G1/4, G3/8, G1/2, G3/4	-	-	■	■	■	■	-	-	■	■
	9	G3/4, G1	G1/2, G3/4, G1, G1 1/4, G1 1/2	-	-	■	■	■	■	-	-	■	■
	12	-	G1, G1 1/4, G1 1/2, G2	-	-	-	■	■	■	-	-	■	■
Filters MS-LF 	4	G1/8, G1/4	G1/8, G1/4, G3/8	-	-	-	-	-	-	-	-	■	■
	6	G1/4, G3/8, G1/2	G1/4, G3/8, G1/2, G3/4	-	-	-	-	-	-	-	-	■	■
	9	G3/4, G1	G1/2, G3/4, G1, G1 1/4, G1 1/2	-	-	-	-	-	-	-	-	■	■
	12	-	G1, G1 1/4, G1 1/2, G2	-	-	-	-	-	-	-	-	■	■
Fine and micro filters MS-LFM 	4	G1/8, G1/4	G1/8, G1/4, G3/8	-	-	-	-	-	-	■	■	-	-
	6	G1/4, G3/8, G1/2	G1/4, G3/8, G1/2, G3/4	-	-	-	-	-	-	■	■	-	-
	9	G3/4, G1	G1/2, G3/4, G1, G1 1/4, G1 1/2	-	-	-	-	-	-	■	■	-	-
	12	-	G1, G1 1/4, G1 1/2, G2	-	-	-	-	-	-	■	■	-	-
Activated carbon filters MS-LFX 	4	G1/8, G1/4	G1/8, G1/4, G3/8	-	-	-	-	-	-	-	-	-	-
	6	G1/4, G3/8, G1/2	G1/4, G3/8, G1/2, G3/4	-	-	-	-	-	-	-	-	-	-
	9	G3/4, G1	G1/2, G3/4, G1, G1 1/4, G1 1/2	-	-	-	-	-	-	-	-	-	-
	12	-	G1, G1 1/4, G1 1/2, G2	-	-	-	-	-	-	-	-	-	-
Water separators MS-LWS 	4	-	-	-	-	-	-	-	-	-	-	-	-
	6	G1/4, G3/8, G1/2	G1/4, G3/8, G1/2, G3/4	-	-	-	-	-	-	-	-	-	-
	9	G3/4, G1	G1/2, G3/4, G1, G1 1/4, G1 1/2	-	-	-	-	-	-	-	-	-	-
	12	-	G1, G1 1/4, G1 1/2, G2	-	-	-	-	-	-	-	-	-	-

Lubricators MS-LOE, MS series



Product range overview – MS series service units

Type	Size	Bowl guard		Condensate drains				Pressure indicator				Security		Options		→ Page/ Internet	
		Plastic bowl with plastic bowl guard	Metal bowl	Manual rotary	Semi-automatic	Fully automatic	External, fully automatic, electrical	Cover plate (without pressure gauge)	Integrated MS pressure gauge	Adapter plate for EN pressure gauge G1/8	Adapter plate for EN pressure gauge G1/4	Pressure sensor	Rotary knob with detent, lockable via accessories	Rotary knob with integrated lock	Silencer		Flow direction from right to left
Code		R	U	M	H	V	E...	VS	AG	A8	A4	AD...	AS	E11	S	Z	
Service unit combinations																	
MSB-FRC	4	■	-	■	-	■	-	-	■	-	-	-	■	-	-	■	msb4
	6	■	■	■	-	■	-	-	■	-	-	-	■	-	-	■	msb6
	9	-	-	-	-	-	-	-	-	-	-	-	-	-	-	-	-
	12	-	-	-	-	-	-	-	-	-	-	-	-	-	-	-	-
Service unit combinations																	
MSB	4	■	■	■	-	■	-	-	■	-	-	-	■	-	-	■	msb4
	6	■	■	■	-	■	-	-	■	-	-	-	■	-	-	■	msb6
	9	-	-	-	-	-	-	-	-	-	-	-	-	-	-	-	-
	12	-	-	-	-	-	-	-	-	-	-	-	-	-	-	-	-
Individual devices																	
Filter regulators MS-LFR	4	■	■	■	■	■	-	■	■	■	■	■	■	■	-	■	ms4-lfr
	6	■	■	■	■	■	■	■	■	■	■	■	■	■	-	■	ms6-lfr
	9	-	■	■	■	■	■	■	■	■	■	■	■	■	-	■	ms9-lfr
	12	-	■	■	-	■	■	■	■	■	■	■	■	■	-	■	ms12-lfr
Filters MS-LF	4	■	■	■	■	■	-	-	-	-	-	-	-	-	-	■	ms4-lf
	6	■	■	■	■	■	■	-	-	-	-	-	-	-	-	■	ms6-lf
	9	-	■	■	■	■	■	-	-	-	-	-	-	-	-	■	ms9-lf
	12	-	■	■	-	■	■	-	-	-	-	-	-	-	-	■	ms12-lf
Fine and micro filters MS-LFM	4	■	■	■	■	■	-	-	-	-	-	-	-	-	-	■	ms4-lfm
	6	■	■	■	■	■	■	-	-	-	-	-	-	-	-	■	ms6-lfm
	9	-	■	■	■	■	■	-	-	-	-	-	-	-	-	■	ms9-lfm
	12	-	■	■	-	■	■	-	-	-	-	-	-	-	-	■	ms12-lfm
Activated carbon filters MS-LFX	4	■	■	-	-	-	-	-	-	-	-	-	-	-	-	■	ms4-lfx
	6	■	■	-	-	-	-	-	-	-	-	-	-	-	-	■	ms6-lfx
	9	-	■	-	-	-	-	-	-	-	-	-	-	-	-	■	ms9-lfx
	12	-	■	-	-	-	-	-	-	-	-	-	-	-	-	■	ms12-lfx
Water separators MS-LWS	4	-	-	-	-	-	-	-	-	-	-	-	-	-	-	-	-
	6	-	■	-	-	■	■	-	-	-	-	-	-	-	-	■	ms6-lws
	9	-	■	-	-	■	■	-	-	-	-	-	-	-	-	■	ms9-lws
	12	-	■	-	-	■	■	-	-	-	-	-	-	-	-	■	ms12-lws

Lubricators MS-LOE, MS series

Product range overview – MS series service units



Type	Size	Pneumatic connection in housing	Connecting plate	Pressure regulation range [bar]						Supply voltage			
				0.05 ... 0.7	0.05 ... 2.5	0.1 ... 4	0.3 ... 7	0.1 ... 12	0.5 ... 16	24 V DC, connection pattern to EN 175301	24 V DC, connection M12 to IEC 61076-2-101	110 V AC, connection pattern to EN 175301	230 V AC, connection pattern to EN 175301
Code			AG.../AQ...	D2	D4	D5	D6	D7	D8	V24	V24P	V110	V230
Individual devices													
Pressure regulators MS-LR		4	G1/8, G1/4	G1/8, G1/4, G3/8	-	-	■	■	■	-	-	-	-
		6	G1/4, G3/8, G1/2	G1/4, G3/8, G1/2, G3/4	-	-	■	■	■	■	-	-	-
		9	G3/4, G1	G1/2, G3/4, G1, G1 1/4, G1 1/2	-	-	■	■	■	■	-	-	-
		12	-	G1, G1 1/4, G1 1/2, G2	-	-	-	■	■	■	-	-	-
Pressure regulators MS-LRB		4	G1/4	G1/8, G1/4, G3/8	-	-	■	■	■	-	-	-	-
		6	G1/2	G1/4, G3/8, G1/2, G3/4	-	-	■	■	■	■	-	-	-
		9	-	-	-	-	-	-	-	-	-	-	-
		12	-	-	-	-	-	-	-	-	-	-	-
Precision pressure regulators MS-LRP		4	-	-	-	-	-	-	-	-	-	-	-
		6	G1/4, G3/8, G1/2	G1/4, G3/8, G1/2, G3/4	■	■	■	-	■	-	-	-	-
		9	-	-	-	-	-	-	-	-	-	-	-
		12	-	-	-	-	-	-	-	-	-	-	-
Precision pressure regulators MS-LRPB		4	-	-	-	-	-	-	-	-	-	-	-
		6	G1/2	G1/4, G3/8, G1/2, G3/4	■	■	■	-	■	-	-	-	-
		9	-	-	-	-	-	-	-	-	-	-	-
		12	-	-	-	-	-	-	-	-	-	-	-
Electrical pressure regulators MS-LRE		4	-	-	-	-	-	-	-	-	-	-	-
		6	G1/4, G3/8, G1/2	G1/4, G3/8, G1/2, G3/4	-	-	■	■	■	■	-	-	-
		9	-	-	-	-	-	-	-	-	-	-	-
		12	-	-	-	-	-	-	-	-	-	-	-
Lubricators MS-LOE		4	G1/8, G1/4	G1/8, G1/4, G3/8	-	-	-	-	-	-	-	-	-
		6	G1/4, G3/8, G1/2	G1/4, G3/8, G1/2, G3/4	-	-	-	-	-	-	-	-	-
		9	G3/4, G1	G1/2, G3/4, G1, G1 1/4, G1 1/2	-	-	-	-	-	-	-	-	-
		12	-	G1, G1 1/4, G1 1/2, G2	-	-	-	-	-	-	-	-	-
On-off valves, manually actuated MS-EM(1)		4	G1/8, G1/4	G1/8, G1/4, G3/8	-	-	-	-	-	-	-	-	-
		6	G1/4, G3/8, G1/2	G1/4, G3/8, G1/2, G3/4	-	-	-	-	-	-	-	-	-
		9	G3/4, G1	G1/2, G3/4, G1, G1 1/4, G1 1/2	-	-	-	-	-	-	-	-	-
		12	-	G1, G1 1/4, G1 1/2, G2	-	-	-	-	-	-	-	-	-
On-off valves, electrically actuated MS-EE		4	G1/8, G1/4	G1/8, G1/4, G3/8	-	-	-	-	-	-	■	-	■
		6	G1/4, G3/8, G1/2	G1/4, G3/8, G1/2, G3/4	-	-	-	-	-	-	■	-	■
		9	G3/4, G1	G1/2, G3/4, G1, G1 1/4, G1 1/2	-	-	-	-	-	-	■	■	■
		12	-	G1, G1 1/4, G1 1/2, G2	-	-	-	-	-	-	■	■	■
Soft-start valves, pneumatically actuated MS-DL		4	G1/8, G1/4	G1/8, G1/4, G3/8	-	-	-	-	-	-	-	-	-
		6	G1/4, G3/8, G1/2	G1/4, G3/8, G1/2, G3/4	-	-	-	-	-	-	-	-	-
		9	-	-	-	-	-	-	-	-	-	-	-
		12	-	G1, G1 1/4, G1 1/2, G2	-	-	-	-	-	-	-	-	-
Soft-start valves, electrically actuated MS-DE		4	G1/8, G1/4	G1/8, G1/4, G3/8	-	-	-	-	-	-	■	-	■
		6	G1/4, G3/8, G1/2	G1/4, G3/8, G1/2, G3/4	-	-	-	-	-	-	■	-	■
		9	-	-	-	-	-	-	-	-	-	-	-
		12	-	G1, G1 1/4, G1 1/2, G2	-	-	-	-	-	-	■	■	■

Lubricators MS-LOE, MS series

Product range overview – MS series service units



Type	Size	Bowl guard		Pressure indicator				Security			Options		→ Page/ Internet
		Plastic bowl with plastic bowl guard	Metal bowl	Cover plate (without pressure gauge)	Integrated MS pressure gauge	Adapter plate for EN pressure gauge G1/8	Adapter plate for EN pressure gauge G1/4	Pressure sensor	Rotary knob with detent, lockable via accessories	Rotary knob with integrated lock	Silencer	Flow direction from right to left	
Code		R	U	VS	AG	A8	A4	AD...	AS	E11	S	Z	
Individual devices													
Pressure regulators MS-LR	4	-	-	■	■	■	■	■	■	■	-	■	ms4-lr
	6	-	-	■	■	-	■	■	■	■	-	■	ms6-lr
	9	-	-	■	■	-	■	■	■	■	-	■	ms9-lr
	12	-	-	■	■	-	■	-	■	■	-	■	ms12-lr
Pressure regulators MS-LRB	4	-	-	■	■	■	■	■	■	■	-	■	ms4-lrb
	6	-	-	■	■	-	■	■	■	■	-	■	ms6-lrb
	9	-	-	-	-	-	-	-	-	-	-	-	-
	12	-	-	-	-	-	-	-	-	-	-	-	-
Precision pressure regulators MS-LRP	4	-	-	-	-	-	-	-	-	-	-	-	-
	6	-	-	■	-	■	■	■	■	■	-	■	ms6-lrp
	9	-	-	-	-	-	-	-	-	-	-	-	-
	12	-	-	-	-	-	-	-	-	-	-	-	-
Precision pressure regulators MS-LRPB	4	-	-	-	-	-	-	-	-	-	-	-	-
	6	-	-	■	-	■	■	■	■	■	-	■	ms6-lrpb
	9	-	-	-	-	-	-	-	-	-	-	-	-
	12	-	-	-	-	-	-	-	-	-	-	-	-
Electrical pressure regulators MS-LRE	4	-	-	-	-	-	-	-	-	-	-	-	-
	6	-	-	■	■	-	■	-	-	-	-	■	ms6-lre
	9	-	-	-	-	-	-	-	-	-	-	-	-
	12	-	-	-	-	-	-	-	-	-	-	-	-
Lubricators MS-LOE	4	■	■	-	-	-	-	-	-	-	-	■	8
	6	■	■	-	-	-	-	-	-	-	-	■	8
	9	-	■	-	-	-	-	-	-	-	-	■	15
	12	-	■	-	-	-	-	-	-	-	-	■	22
On-off valves, manually actuated MS-EM(1)	4	-	-	■	■	■	■	■	-	-	■	■	ms4-em1
	6	-	-	■	■	-	■	■	-	-	■	■	ms6-em1
	9	-	-	■	■	-	■	-	-	-	■	■	ms9-em
	12	-	-	■	■	-	■	-	-	-	■	■	ms12-em
On-off valves, electrically actuated MS-EE	4	-	-	■	■	■	■	■	-	-	■	■	ms4-ee
	6	-	-	■	■	-	■	■	-	-	■	■	ms6-ee
	9	-	-	■	■	-	■	■	-	-	■	■	ms9-ee
	12	-	-	■	■	-	■	-	-	-	■	■	ms12-ee
Soft-start valves, pneumatically actuated MS-DL	4	-	-	■	■	■	■	■	-	-	-	■	ms4-dl
	6	-	-	■	■	-	■	■	-	-	-	■	ms6-dl
	9	-	-	-	-	-	-	-	-	-	-	-	-
	12	-	-	■	■	-	■	-	-	-	-	■	ms12-dl
Soft-start valves, electrically actuated MS-DE	4	-	-	■	■	■	■	■	-	-	-	■	ms4-de
	6	-	-	■	■	-	■	■	-	-	-	■	ms6-de
	9	-	-	-	-	-	-	-	-	-	-	-	-
	12	-	-	■	■	-	■	-	-	-	-	■	ms12-de

Lubricators MS-LOE, MS series

Product range overview – MS series service units



Type	Size	Pneumatic connection in housing	Connecting plate	Performance Level			Supply voltage				
				Category 1, 1-channel	Category 3, 2-channel	Category 4, 2-channel with self-monitoring	24 V DC, connection pattern to EN 175301	24 V DC, connection M12 to IEC 61076-2-101/ to EN 60947-5-2	110 V AC, connection pattern to EN 175301	230 V AC, connection pattern to EN 175301	
Code			AG.../AQ...	C	D	E	V24	V24P	V110	V230	
Individual devices											
Soft start and exhaust valves MS-SV-C		4	–								
		6	G $\frac{1}{2}$	G $\frac{1}{4}$, G $\frac{3}{8}$, G $\frac{1}{2}$, G $\frac{3}{4}$	■	–	–	■	■	■	■
		9	G $\frac{3}{4}$, G1	G $\frac{1}{2}$, G $\frac{3}{4}$, G1, G1 $\frac{1}{4}$, G1 $\frac{1}{2}$	■	–	–	■	■	■	■
		12	–								
Soft start and exhaust valves MS-SV-D		4	–								
		6	G $\frac{1}{2}$	G $\frac{1}{4}$, G $\frac{3}{8}$, G $\frac{1}{2}$, G $\frac{3}{4}$	–	■	–	■	■	–	–
		9	–								
		12	–								
Soft start and exhaust valves MS-SV-E		4	–								
		6	G $\frac{1}{2}$	G $\frac{1}{4}$, G $\frac{3}{8}$, G $\frac{1}{2}$, G $\frac{3}{4}$	–	–	■	■	–	–	–
		9	–								
		12	–								
Membrane air dryers MS-LDM1		4	G $\frac{1}{8}$, G $\frac{1}{4}$	G $\frac{1}{8}$, G $\frac{1}{4}$, G $\frac{3}{8}$	–	–	–	–	–	–	–
		6	G $\frac{1}{4}$, G $\frac{3}{8}$, G $\frac{1}{2}$	G $\frac{1}{4}$, G $\frac{3}{8}$, G $\frac{1}{2}$, G $\frac{3}{4}$	–	–	–	–	–	–	–
		9	–								
		12	–								
Branching modules MS-FRM		4	G $\frac{1}{8}$, G $\frac{1}{4}$	G $\frac{1}{8}$, G $\frac{1}{4}$, G $\frac{3}{8}$	–	–	–	–	–	–	–
		6	G $\frac{1}{4}$, G $\frac{3}{8}$, G $\frac{1}{2}$	G $\frac{1}{4}$, G $\frac{3}{8}$, G $\frac{1}{2}$, G $\frac{3}{4}$	–	–	–	–	–	–	–
		9	G $\frac{3}{4}$, G1	G $\frac{1}{2}$, G $\frac{3}{4}$, G1, G1 $\frac{1}{4}$, G1 $\frac{1}{2}$	–	–	–	–	–	–	–
		12	–	G1, G1 $\frac{1}{4}$, G1 $\frac{1}{2}$, G2	–	–	–	–	–	–	–
Distributor blocks MS-FRM-FRZ		4	G $\frac{1}{4}$	–	–	–	–	–	–	–	
		6	G $\frac{1}{2}$	–	–	–	–	–	–	–	
		9	–								
		12	–								
Flow sensors SFAM		4	–								
		6	G $\frac{1}{2}$	G $\frac{1}{2}$	–	–	–	–	–	–	–
		9	–	G1, G1 $\frac{1}{2}$	–	–	–	–	–	–	–
		12	–								

Lubricators MS-LOE, MS series

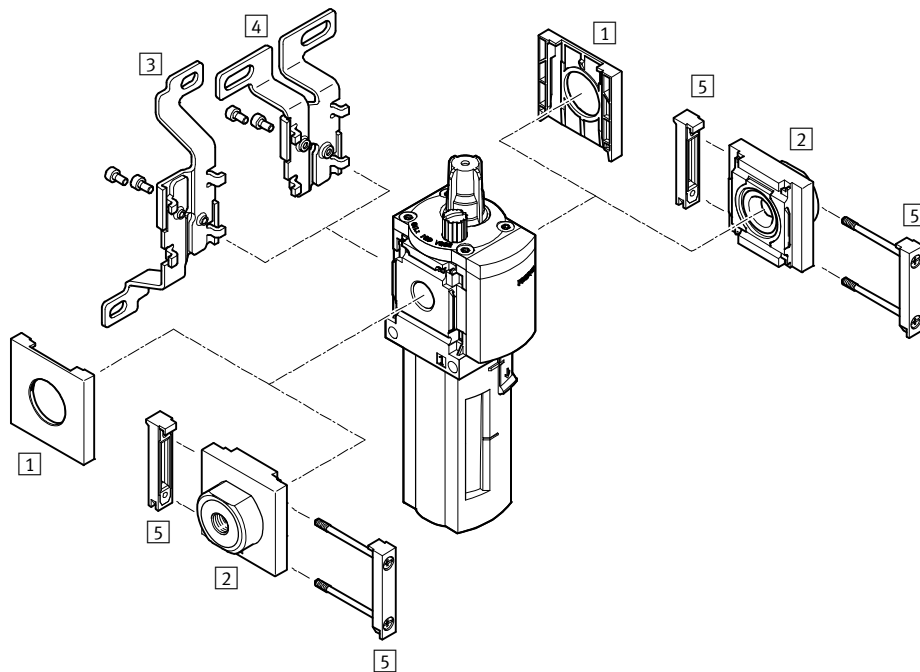
Product range overview – MS series service units



Type	Size	Bowl guard		Pressure indicator					Switch output			Options		→ Page/ Internet
		Plastic bowl with plastic bowl guard	Metal bowl	Cover plate (without pressure gauge)	Integrated MS pressure gauge	Adapter plate for EN pressure gauge G1/8	Adapter plate for EN pressure gauge G1/4	Pressure sensor	2x PNP or NPN, 1 analogue output 4 ... 20 mA	2x PNP or NPN, 1 analogue output 0 ... 10 V	Silencer	Flow direction from right to left		
Code		R	U	VS	AG	A8	A4	AD...	2SA	2SV	S	Z/R		
Individual devices														
Soft start and exhaust valves MS-SV-C	4	-												
	6	-	-	■	■	-	■	■	-	-	■	■	ms6-sv	
	9	-	-	■	■	-	■	■	-	-	■	■	ms9-sv	
	12	-											-	
Soft start and exhaust valves MS-SV-D	4	-											-	
	6	-	-	■	■	-	■	■	-	-	■	■	ms6-sv	
	9	-											-	
	12	-											-	
Soft start and exhaust valves MS-SV-E	4	-											-	
	6	-	-	■	■	-	■	■	-	-	■	■	ms6-sv	
	9	-											-	
	12	-											-	
Membrane air dryers MS-LDM1	4	-	■	-	-	-	-	-	-	-	-	■	ms4-ldm1	
	6	-	■	-	-	-	-	-	-	-	-	■	ms6-ldm1	
	9	-											-	
	12	-											-	
Branching modules MS-FRM	4	-	-	■	■	■	■	■	-	-	-	■	ms4-frm	
	6	-	-	■	■	-	■	■	-	-	-	■	ms6-frm	
	9	-	-	■	■	-	■	■	-	-	-	■	ms9-frm	
	12	-	-	■	-	-	-	-	-	-	-	-	ms12-frm	
Distributor blocks MS-FRM-FRZ	4	-	-	-	-	-	-	-	-	-	-	■	ms4-frm	
	6	-	-	-	-	-	-	-	-	-	-	■	ms6-frm	
	9	-											-	
	12	-											-	
Flow sensors SFAM	4	-											-	
	6	-	-	-	-	-	-	-	■	■	-	■	sfam-62	
	9	-	-	-	-	-	-	-	■	■	-	■	sfam-90	
	12	-											-	

Lubricators MS4/MS6-LOE, MS series

Peripherals overview



-  - Note

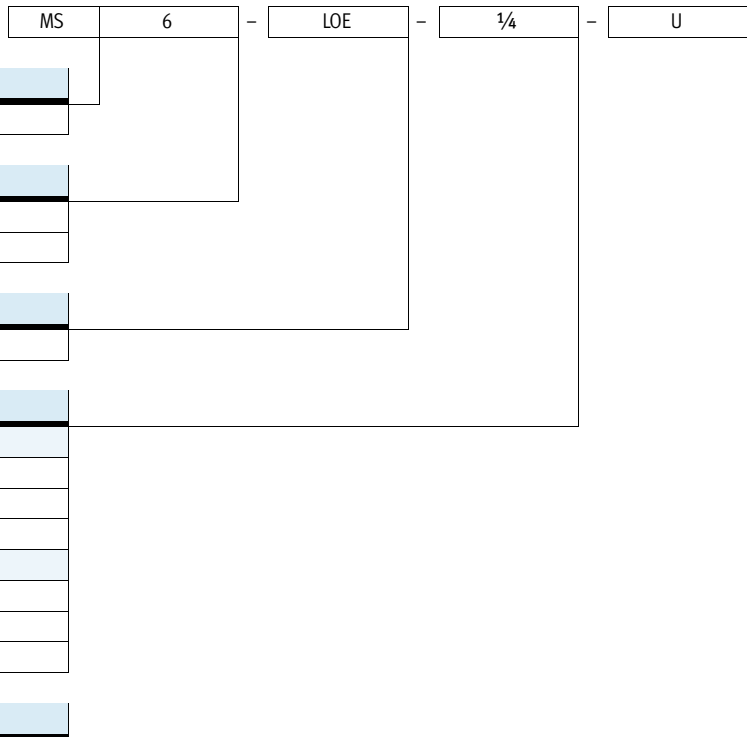
Additional accessories:

- Module connector for combination with sizes MS4/MS6 or size MS9 → Internet: amv, rmv, armv
- Adapter plate for mounting on profiles → Internet: ipm-80, ipm-40-80, ipm-80-80

Mounting attachments and accessories						
		Individual unit		Combination		→ Page/Internet
		without connecting plate	with connecting plate	without connecting plate	with connecting plate	
1	Cover cap MS4/6-END	■	-	■	-	ms4-end, ms6-end
2	Connecting plate-SET MS4/6-AG...	-	■	-	■	ms4-ag, ms6-ag
	Connecting plate-SET MS4/6-AQ...	-	■	-	■	ms4-aq, ms6-aq
3	Mounting bracket MS4/6-WB	■	■	-	-	ms4-wb, ms6-wb
4	Mounting bracket MS4-WBM	■	■	-	-	ms4-wbm
5	Module connector MS4/6-MV	-	■	■	■	ms4-mv, ms6-mv
-	Mounting bracket MS4/6-WP/WPB/WPE/WPM	-	■	■	■	ms4-wp, ms6-wp

Lubricators MS4/MS6-LOE, MS series

Type codes



Series	
MS	Standard service unit

Size	
4	Grid dimension 40 mm
6	Grid dimension 62 mm

Service function	
LOE	Lubricators

Connection size	
MS4	
1/8	Thread G1/8
1/4	Thread G1/4
MS6	
1/4	Thread G1/4
3/8	Thread G3/8
1/2	Thread G1/2

Bowl guard	
R	Plastic bowl guard
U	Integrated as metal bowl

Further variants can be ordered using the modular system → 14

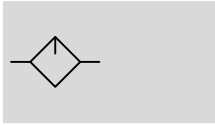
- Connecting plates
- Type of mounting
- EU certification
- UL certification
- Flow direction




Lubricators MS4/MS6-LOE, MS series

Technical data

FESTO

Function



-  - Flow rate
1,100 ... 7,200 l/min
-  - Temperature range
-10 ... +60 °C
-  - Operating pressure
1 ... 16 bar



The proportional lubricator adds a precision adjustable quantity of oil to the compressed air stream. The pressure drop that occurs when air flows through a Venturi nozzle is used to convey oil from the container

to the drip cap. From here, the oil drips into the air duct directly behind the proportional valve, where it is atomised. The oil mist component is proportional to the compressed air flow rate.

- Proportional lubricator with precision oil metering
- Reduces wear on drive units subject to high loading
- High flow rate
- Quick and easy oil top-up even during operation (under pressure)
- Optional device variant EX4 for use in potentially explosive areas in zones 1, 2, 21 and 22

The following oils are recommended for Festo components:
Viscosity range to ISO 3448, ISO class VG 32
32 mm²/s (= cSt) at 40°C

- Festo special oil OFSW-32 → 29
- ARAL Vitam GF 32
- BP Energol HLP 32
- Esso Nuto H 32
- Mobil DTE 24
- Shell Tellus Oil DO 32

General technical data		
Size	MS4	MS6
Pneumatic connection 1, 2 Female thread	G ¹ / ₈ or G ¹ / ₄	G ¹ / ₄ , G ³ / ₈ or G ¹ / ₂
	Connecting plate AG...	G ¹ / ₈ , G ¹ / ₄ or G ³ / ₈
	Connecting plate AQ...	NPT ¹ / ₈ , NPT ¹ / ₄ or NPT ³ / ₈
Design	Proportional standard mist lubricator	
Type of mounting	Via accessories	
	In-line installation	
Assembly position	Vertical ±5°	
Bowl guard	Plastic bowl guard	
	Integrated as metal bowl	
Minimum flow for lubricator operation [l/min]	40	50
Max. oil capacity [cm ³]	30 (with plastic bowl guard)	
	36 (with metal bowl)	
	75 (with plastic bowl guard)	
	80 (with metal bowl)	

• Note: This product conforms to ISO 1179-1 and to ISO 228-1

Standard nominal flow rate q _N [l/min]					
Size	MS4		MS6		
Pneumatic connection	G ¹ / ₈	G ¹ / ₄	G ¹ / ₄	G ³ / ₈	G ¹ / ₂
In main flow direction 1 → 2	1,100	2,200	2,500	5,300	7,200

Lubricators MS4/MS6-LOE, MS series

Technical data

Operating and environmental conditions		
Size	MS4	MS6
Operating pressure [bar]	1 ... 12 (1 ... 10) ¹⁾	1 ... 16 (1 ... 10) ¹⁾
Operating medium	Compressed air in accordance with ISO 8573-1:2010 [7:4:4] Inert gases	
Note on operating/pilot medium	Operation with lubricated medium possible	
Ambient temperature [°C]	-10 ... +60	0 ... +60
Temperature of medium [°C]	-10 ... +60	0 ... +60
Storage temperature [°C]	-10 ... +60	-10 ... +60
Corrosion resistance class CRC ²⁾	2	
UL certification	cULus recognized (OL)	

1) Value in brackets applies to MS4/MS6-LOE with UL certification.

2) Corrosion resistance class CRC 2 to Festo standard FN 940070

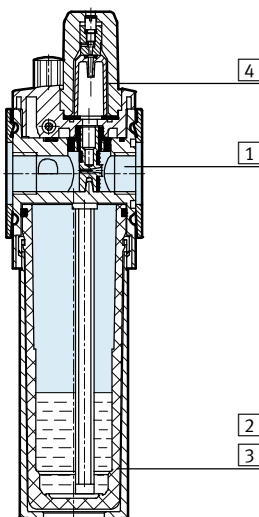
Moderate corrosion stress. Indoor applications in which condensation may occur. External visible parts with primarily decorative requirements for the surface and which are in direct contact with the ambient atmosphere typical for industrial applications.

ATEX	
EU certification	EX4
ATEX category gas	II 2G
Ex-ignition protection type gas	c T6 X
ATEX category dust	II 2D
EX-ignition protection type dust	c 60 °C X
ATEX ambient temperature	-10 °C ≤ Ta ≤ +60 °C
CE mark (see declaration of conformity)	To EU Explosion Protection Directive (ATEX)

Weights [g]		
Size	MS4	MS6
Lubricator with plastic bowl guard R	194	600
Lubricator with metal bowl U	354	810

Materials

Sectional view



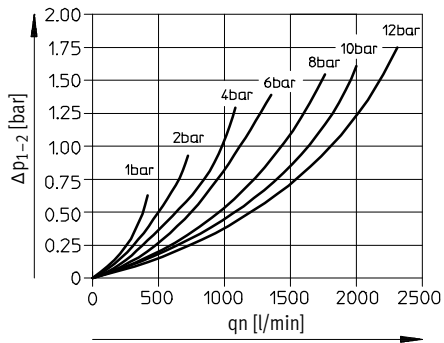
Lubricators		
1	Body	Die-cast aluminium
2	Plastic bowl guard	PC
3	Metal bowl Viewing window	Wrought aluminium alloy PA
4	Lubricator dome	PC
-	Seals	NBR
Note on materials		RoHS-compliant

Lubricators MS4/MS6-LOE, MS series

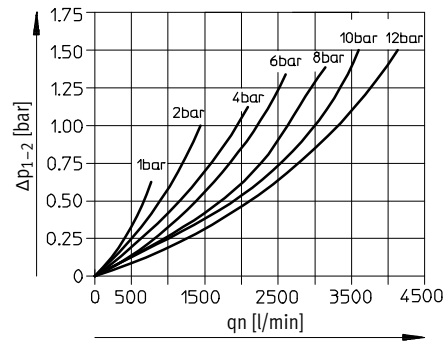
Technical data

Standard flow rate q_n as a function of the differential pressure Δp_{1-2}

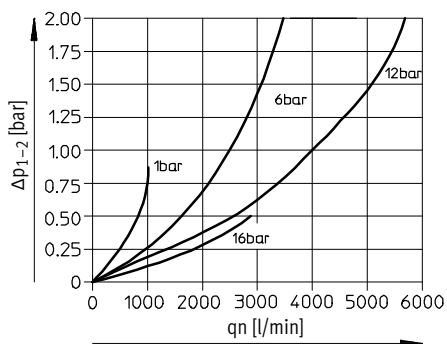
MS4-LOE-1/8



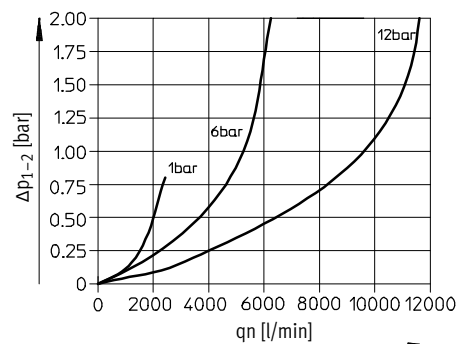
MS4-LOE-1/4



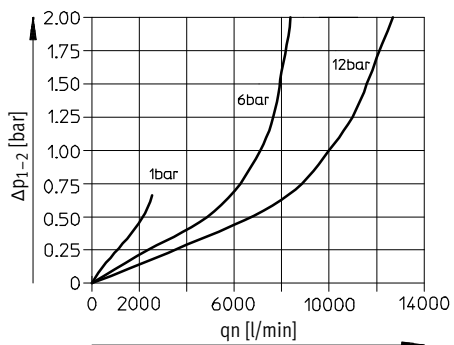
MS6-LOE-1/4



MS6-LOE-3/8



MS6-LOE-1/2



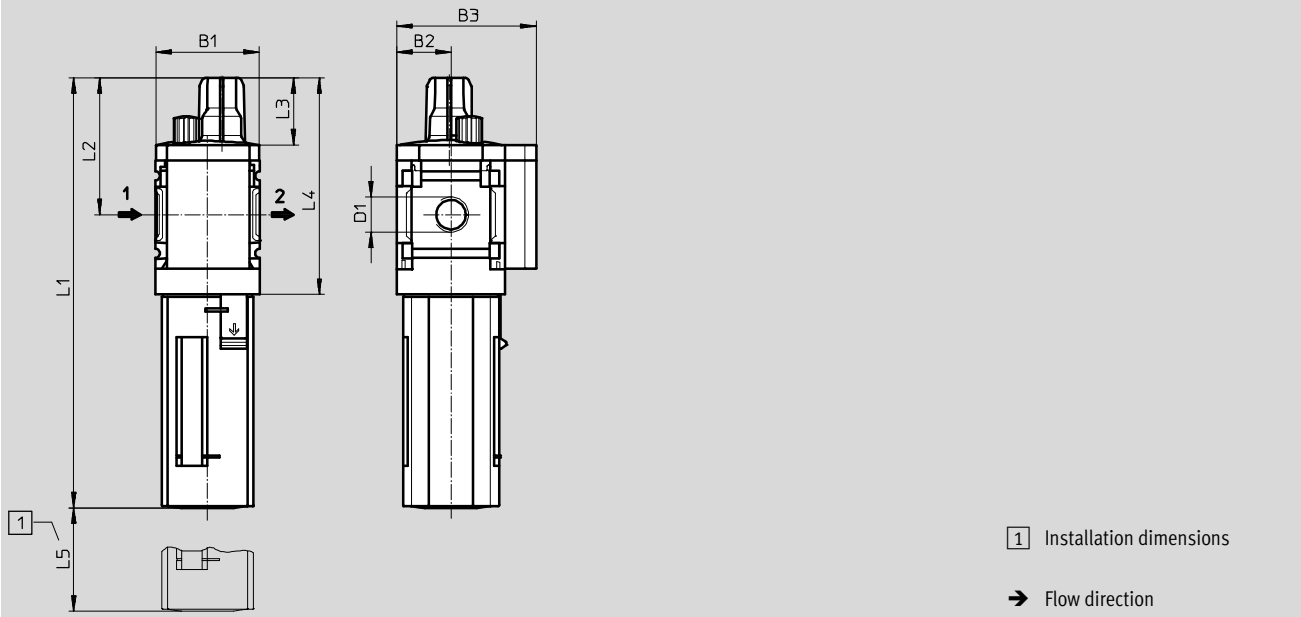
Lubricators MS4/MS6-LOE, MS series

Technical data

FESTO

Dimensions – Basic version

Download CAD data → www.festo.com



Type	B1	B2	B3	D1	L1 Bowl guard		L2	L3	L4	L5
					Plastic	Metal				
MS4-LOE-1/8	42	21	54	G1/8	166.6	184.9	53	26	84.5	80
MS4-LOE-1/4				G1/4						
MS6-LOE-1/4	62	31	76	G1/4	218	223	66	27	112	130
MS6-LOE-3/8				G3/8						
MS6-LOE-1/2				G1/2						

• Note: This product conforms to ISO 1179-1 and to ISO 228-1

Ordering data

Size	Connection	Plastic bowl guard		Integrated as metal bowl	
		Part No.	Type	Part No.	Type
MS4	G1/8	529413	MS4-LOE-1/8-R	-	-
	G1/4	529411	MS4-LOE-1/4-R	535790	MS4-LOE-1/4-U
MS6	G1/4	529779	MS6-LOE-1/4-R	529781	MS6-LOE-1/4-U
	G3/8	529783	MS6-LOE-3/8-R	529785	MS6-LOE-3/8-U
	G1/2	529775	MS6-LOE-1/2-R	529777	MS6-LOE-1/2-U

Lubricators MS4/MS6-LOE, MS series



Ordering data – Modular products

M Mandatory data						O Options			
Module No.	Series	Size	Function	Pneumatic connection	Bowl	Type of mounting	EU certification	UL certification	Flow direction
527701 527674	MS	4 6	LOE	1/8, 1/4, 3/8, 1/2, AG..., AQ...	R, U	WP, WPM, WB, WBM	EX4	UL1	Z
Order example									
527701	MS	4	- LOE	- AGB	- R				

Ordering table										
Grid dimension	[mm]	40	62	Conditions	Code	Enter code				
M	Module No.	527701		527674						
	Series	Standard			MS				MS	
	Size	4	6		...					
	Function	Lubricators			-LOE				-LOE	
	Pneumatic connection	Female thread G1/8		-	[1]	-1/8				
		Female thread G1/4		Female thread G1/4	[1]	-1/4				
		-		Female thread G3/8	[1]	-3/8				
		-		Female thread G1/2	[1]	-1/2				
		Connecting plate G1/8		-		-AGA				
		Connecting plate G1/4		Connecting plate G1/4		-AGB				
		Connecting plate G3/8		Connecting plate G3/8		-AGC				
		-		Connecting plate G1/2		-AGD				
		-		Connecting plate G3/4		-AGE				
		Connecting plate NPT1/8		-	[1]	-AQK				
		Connecting plate NPT1/4		Connecting plate NPT1/4	[1]	-AQN				
		Connecting plate NPT3/8		Connecting plate NPT3/8	[1]	-AQP				
		-		Connecting plate NPT1/2	[1]	-AQR				
		-		Connecting plate NPT3/4	[1]	-AQS				
	Bowl	Plastic bowl with plastic bowl guard				-R				
		Metal bowl				-U				
O	Type of mounting	Mounting bracket standard design			[2]	-WP				
		Mounting bracket for attaching the service units			[1] [2]	-WPM				
		Mounting bracket centrally at rear (wall mounting top and bottom), connecting plates not required				-WB				
		Mounting bracket centrally at rear (wall mounting top), connecting plates not required		-		-WBM				
	EU certification	II 2GD to EU Directive 94/9/EG				-EX4				
	UL certification	cULus, ordinary location for Canada and USA				-UL1				
	Flow direction	Flow direction from right to left				-Z				

[1] 1/8, 1/4, 3/8, 1/2, **AQK, AQN, AQP, AQR, AQS, WPM**

Not with EU certification EX4

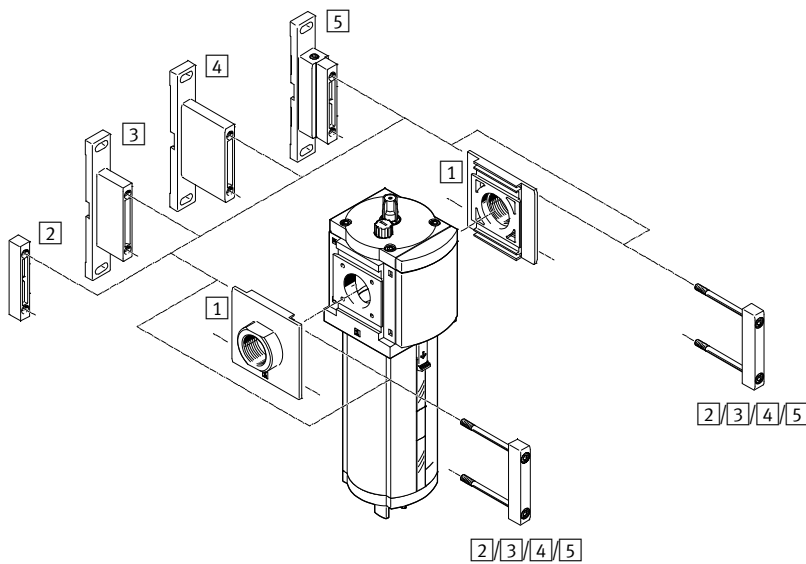
[2] **WP, WPM** Only with connecting plate AGA, AGB, AGC, AGD, AGE, AQK, AQN, AQP, AQR or AQS


Transfer order code

	MS		-	LOE	-		-		-		-		-		-	
--	-----------	--	---	------------	---	--	---	--	---	--	---	--	---	--	---	--

Lubricators MS9-LOE, MS series

Peripherals overview



-  - Note
 Additional accessories:
 - Module connector for combinations with size MS6, MS9 or MS12
 → Internet: rmv, armv

Mounting attachments and accessories					
		Individual unit		Combination	→ Page/ Internet
		With female thread 3/4 or 1	With connecting plate AG...	Module without connecting thread, without connecting plate G	
1	Connecting plate-SET MS9-AG...	-	■	■	ms9-ag
2	Module connector MS9-MV	-	-	■	ms9-mv
3	Mounting bracket MS9-WP	■	■	■	ms9-wp
4	Mounting bracket MS9-WPB	■	■	■	ms9-wp
5	Mounting bracket MS9-WPM	■	■	■	ms9-wp

Lubricators MS9-LOE, MS series

Type codes

		MS	9	-	LOE	-	G	-	U
Series									
MS	Standard service unit								
Size									
9	Grid dimension 90 mm								
Service function									
LOE	Lubricator								
Pneumatic connection									
G	Module without connecting thread, without connecting plate								
Bowl guard									
U	Integrated as metal bowl								

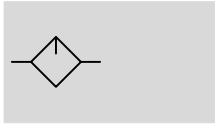
Additional variants can be ordered using the modular product system → 21




- Connecting thread
- Connecting plates
- Type of mounting
- UL certification
- Flow direction

Lubricators MS9-LOE, MS series

Technical data

Function



-  - Flow rate
15,000 ... 20,000 l/min
-  - Temperature range
-10 ... +60 °C
-  - Operating pressure
1 ... 16 bar



The proportional lubricator adds a precisely adjustable quantity of oil to the compressed air. The pressure drop that occurs when air flows through a Venturi nozzle is used to convey oil from the container

to the drip cap. From here, the oil drips into the air duct directly behind the proportional valve, where it is atomised. The oil mist part is proportional to the compressed air flow rate.

- Proportional lubricator with precision oil metering
- Integrated sintered filter for filtering the oil
- Reduces wear on drive units subject to high loading
- High flow rate
- Quick and easy oil top-up even during operation (under pressure)

The following oils are recommended for Festo components:
Viscosity range to ISO 3448, ISO class VG 32
32 mm²/s (= cSt) at 40 °C

- Festo special oil OFSW-32 → 29
- ARAL Vitam GF 32
- BP Energol HLP 32
- Esso Nuto H 32
- Mobil DTE 24
- Shell Tellus Oil DO 32

General technical data	
Size	MS9
Pneumatic connection 1, 2	
Female thread	G3/4 or G1
Connecting plate AG...	G1/2, G3/4, G1, G1 1/4 or G1 1/2
Module without connecting thread/plate G	-
Design	Proportional standard mist lubricator
Type of mounting	Via accessories In-line installation
Mounting position	Vertical ±5°
Bowl guard	Integrated as metal bowl
Minimum flow rate for lubricator operation [l/min]	100
Max. oil capacity [ml]	490

- | - Note: This product conforms to ISO 1179-1 and to ISO 228-1

Standard nominal flow rate qnN ¹⁾ [l/min]					
Pneumatic connection	Connecting plate AGD	Thread G3/4 or connecting plate AGE	Thread G1 or connecting plate AGF	Connecting plate AGG	Connecting plate AGH
In main flow direction 1 → 2	8,500	15,000	23,000	26,000	27,000

1) Measured at p1 = 6 bar and Δp = 1 bar.

Lubricators MS9-LOE, MS series

Technical data



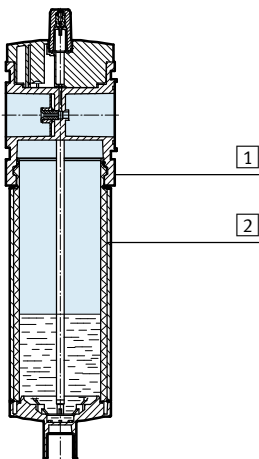
Operating and environmental conditions	
Operating pressure [bar]	1... 16
Operating medium	Compressed air in accordance with ISO 8573-1:2010 [7:4:4]
Ambient temperature [°C]	-10 ... +60
Temperature of medium [°C]	-10 ... +60
Storage temperature [°C]	-10 ... +60
Corrosion resistance class CRC ¹⁾	2
Certification (variant UL1)	cULus recognized (OL)

1) Corrosion resistance class CRC 2 to Festo standard FN 940070
Moderate corrosion stress. Indoor applications in which condensation may occur. External visible parts with primarily decorative requirements for the surface and which are in direct contact with the ambient atmosphere typical for industrial applications.

Weight [g]	
Lubricator	2,000

Materials

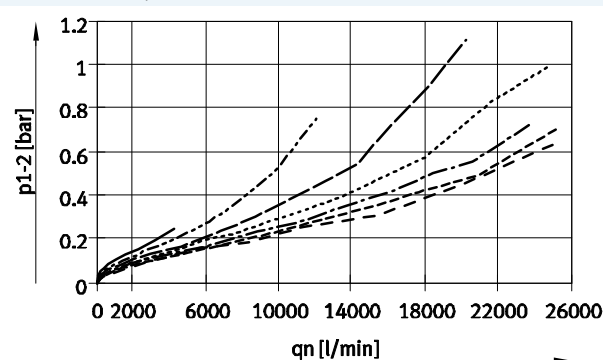
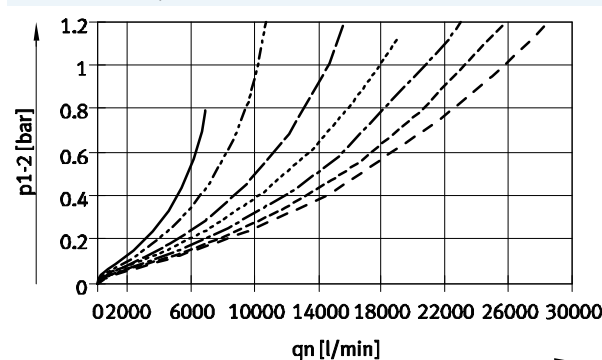
Sectional view



Lubricator		
1	Housing	Die-cast aluminium
2	Bowl	Wrought aluminium alloy
	Inspection window	PA
-	Cover	PA reinforced
-	Connecting plate, module connector, mounting bracket	Die-cast aluminium
-	Seals	NBR
Note on materials		RoHS-compliant

Standard flow rate q_n as a function of differential pressure p_{1-2}

MS9-LOE-3/4/AGE, pneumatic connection G3/4 MS9-LOE-1/AGE, pneumatic connection G1



- 1 bar
- - - - - 2 bar
- - - - - 4 bar
- - - - - 6 bar
- - - - - 8 bar
- - - - - 10 bar
- - - - - 12 bar

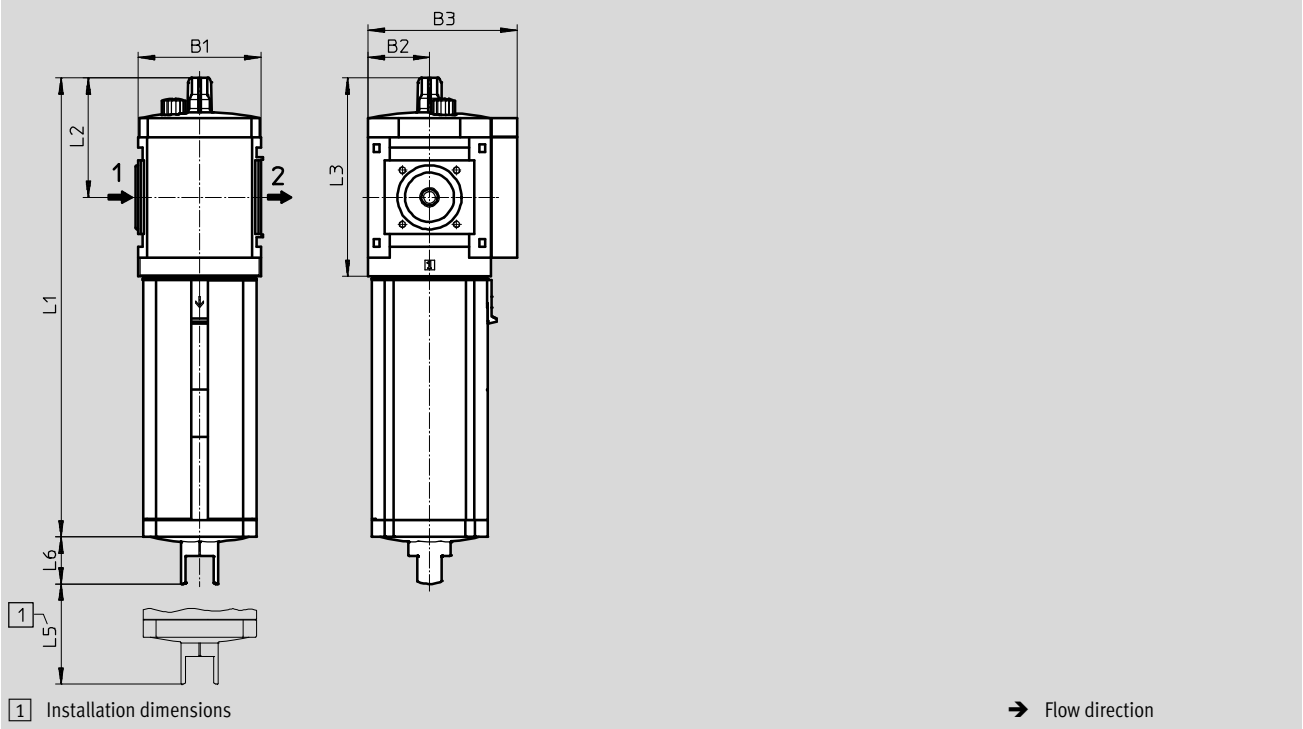
Lubricators MS9-LOE, MS series

Technical data

Dimensions – Basic version

Download CAD data → www.festo.com

Without connecting thread G



Type	B1	B2	B3	L1	L2	L3	L5 min.	L6
MS9-LOE-G	90	45	109	336.3	87	145	225	34.5

Lubricators MS9-LOE, MS series

Technical data

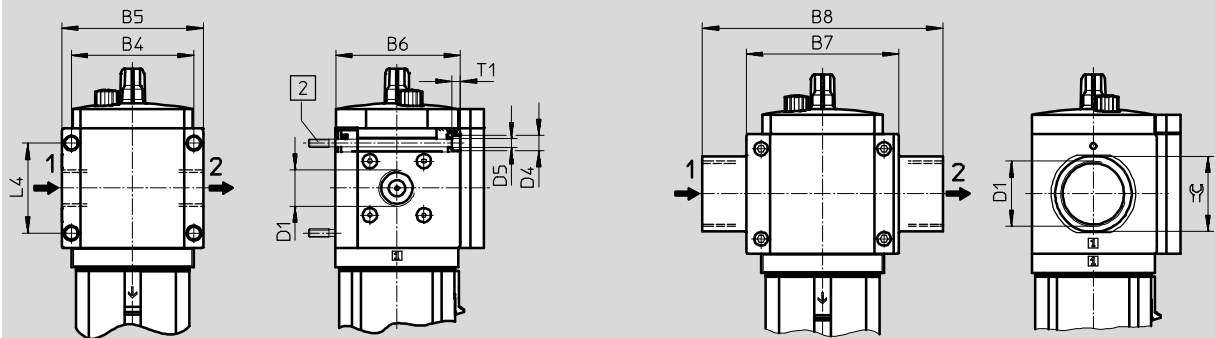
FESTO

Dimensions – Connecting thread/connecting plate

Download CAD data → www.festo.com

With connecting thread 3/4 or 1

With connecting plate AG...



[2] Mounting screw M6xmin.90 to DIN 912 (not included in the scope of delivery) for wall mounting without mounting bracket

→ Flow direction

Type	B4	B5	B6	B7	B8	D1	D4 Ø	D5 Ø	L4	T1	☞
MS9-LOE-3/4	90	104	91.5	-	-	G3/4	11	6.5	66	6	-
MS9-LOE-1						G1					
MS9-LOE-AGD	-	-	-	112	132	G1/2	-	-	-	-	30
MS9-LOE-AGE					132	G3/4					36
MS9-LOE-AGF					142	G1					41
MS9-LOE-AGG					162	G1 1/4					50
MS9-LOE-AGH					176	G1 1/2					55

• • Note: This product conforms to ISO 1179-1 and to ISO 228-1

Ordering data

Size	Connection	Part No.	Type
MS9	-	564144	MS9-LOE-G-U

Lubricators MS9-LOE, MS series

Ordering data – Modular products

M Mandatory data						O Options		
Module No.	Series	Size	Function	Pneumatic connection	Bowl	Type of mounting	UL certification	Flow direction
562533	MS	9	LOE	¾, 1, AG..., G	U	WP, WPM, WPB	UL1	Z
Ordering example								
562533	MS	9	- LOE	- AGD	- U	- WP	-	-

Ordering table		Grid dimension [mm]	90	Condi-tions	Code	Enter code
M	Module No.	562533				
	Series	Standard service unit			MS	MS
	Size	9			9	9
	Function	Lubricator			-LOE	-LOE
	Pneumatic connection	Female thread G¾			-¾	
		Female thread G1			-1	
		Connecting plate G½			-AGD	
		Connecting plate G¾			-AGE	
		Connecting plate G1			-AGF	
		Connecting plate G1¼			-AGG	
		Connecting plate G1½			-AGH	
		Module without connecting thread, without connecting plate			-G	
	Bowl	Metal bowl			-U	-U
O	Type of mounting	Mounting bracket standard design		1	-WP	
		Mounting bracket for attaching the service units		1	-WPM	
		Mounting bracket for large wall gap		1	-WPB	
	UL certification	cULus, ordinary location for Canada and USA			-UL1	
	Flow direction	Flow direction from right to left			-Z	

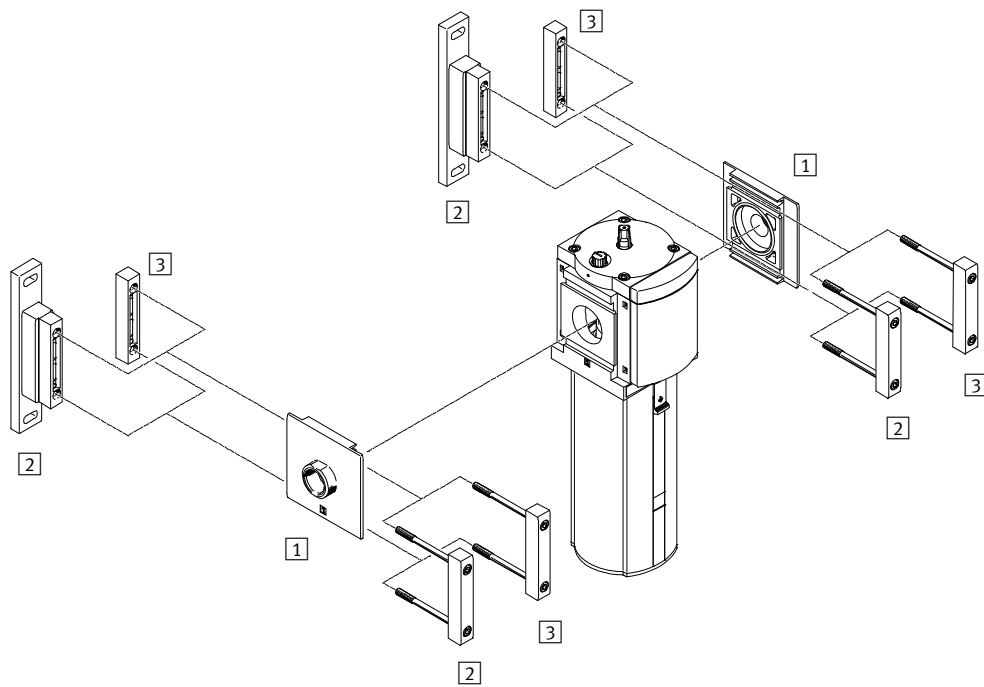
1 WP, WPM, WPB Not with pneumatic connection G


Transfer order code

562533	MS	9	-	LOE	-		-	U	-		-		-	
--------	----	---	---	-----	---	--	---	---	---	--	---	--	---	--

Lubricators MS12-LOE, MS series

Peripherals overview

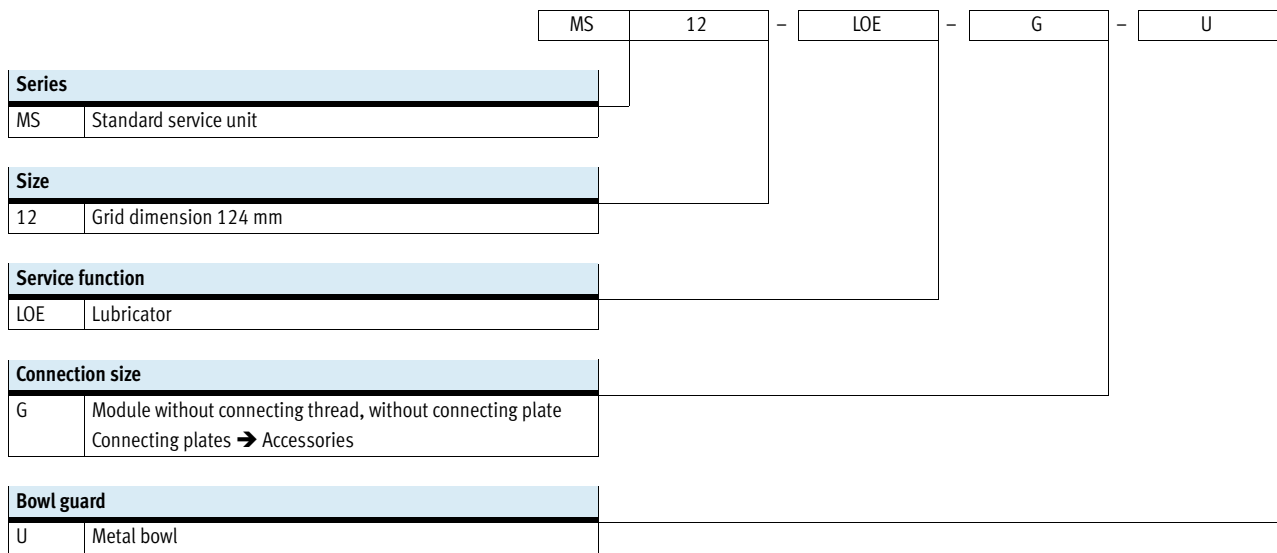


-  - Note
 Additional accessories:
 - Module connector for combination with size MS9 → Internet: armv

Mounting attachments and accessories		→ Page/Internet
1	Connecting plate-SET MS12-AG...	ms12-ag
2	Mounting bracket MS12-WP	ms12-wp
3	Module connector MS12-MV	ms12-mv

Lubricators MS12-LOE, MS series

Type codes



Further variants can be ordered using the modular system → 28

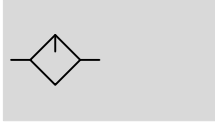
- Connecting plates
- Type of mounting
- Flow direction





Lubricators MS12-LOE, MS series

Technical data



Function



-  - Flow rate
20,000 ... 22,000 l/min
-  - Temperature range
0 ... 60 °C
-  - Operating pressure
1 ... 16 bar
-  - www.festo.com

Wearing parts kits
→ 27



The proportional lubricator adds a precision adjustable quantity of oil to the compressed air stream. The pressure drop that occurs when air flows through a Venturi nozzle is used to convey oil from the container

to the drip cap. From here, the oil drips into the air duct directly behind the proportional valve, where it is atomised. The oil mist component is proportional to the compressed air flow rate.

- Proportional lubricator with precision oil metering
- Reduces wear on drive units subject to high loading
- High flow rate
- Quick and easy oil top-up even during operation (under pressure)

The following oils are recommended for Festo components:
Viscosity range to ISO 3448, ISO class VG 32
32 mm²/s (= cSt) at 40°C

- Festo special oil OFSW-32 → 29
- ARAL Vitam GF 32
- BP Energol HLP 32
- Esso Nuto H 32
- Mobil DTE 24
- Shell Tellus Oil DO 32

General technical data	
Pneumatic connection 1, 2	
Connecting plate AG...	G1, G1¼, G1½ or G2
Module without connecting thread/plate G	–
Design	Proportional standard mist lubricator
Type of mounting	Via accessories In-line installation
Assembly position	Vertical ±5°
Bowl guard	Metal bowl
Minimum flow for lubricator operation [l/min]	400
Max. oil capacity [cm ³]	1,500

• | - Note: This product conforms to ISO 1179-1 and to ISO 228-1

Standard nominal flow rate q _N ¹⁾ [l/min]				
Pneumatic connection	G1	G1¼	G1½	G2
In main flow direction 1 → 2	20,000	20,500	21,000	22,000

1) Dependent on connecting plate selected, must be ordered separately as an accessory → Internet: ms12-ag
Measured at p₁ = 6 bar and Δp = 0.5 bar

Lubricators MS12-LOE, MS series

Technical data

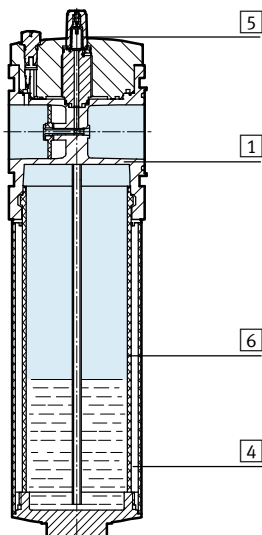
Operating and environmental conditions		
Operating pressure	[bar]	1 ... 16
Operating medium		Compressed air in accordance with ISO 8573-1:2010 [7:4:4]
Ambient temperature	[°C]	0 ... +60
Temperature of medium	[°C]	0 ... +60
Storage temperature	[°C]	-10 ... +60
Corrosion resistance	CRC ¹⁾	2

1) Corrosion resistance class CRC 2 to Festo standard FN 940070
 Moderate corrosion stress. Indoor applications in which condensation may occur. External visible parts with primarily decorative requirements for the surface and which are in direct contact with the ambient atmosphere typical for industrial applications.

Weights [g]	
Lubricator with metal bowl U	6,500

Materials

Sectional view



Lubricator		
1	Body	Die-cast aluminium
4	Metal bowl	Aluminium
5	Lubricator dome	PC
6	Metal bowl sight glass	PA
-	Seals	NBR

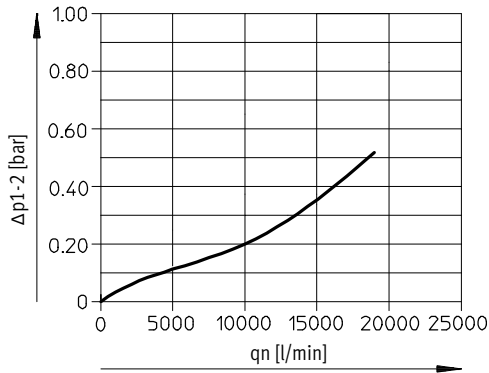
Lubricators MS12-LOE, MS series

Technical data

Standard flow rate q_n as a function of the differential pressure Δp_{1-2}

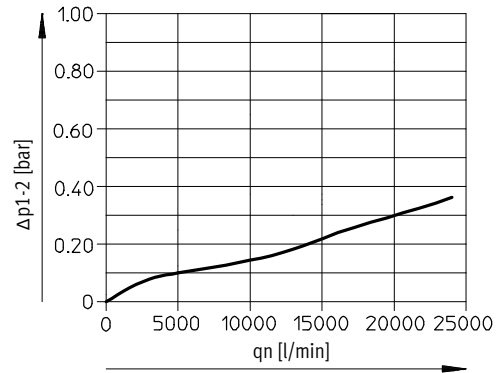
With connecting plate MS12-AGF

Pneumatic connection G1



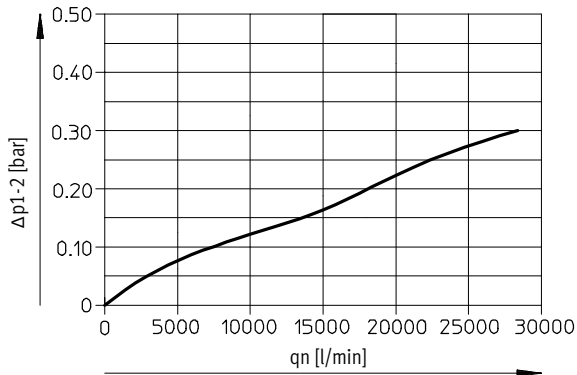
With connecting plate MS12-AGG

Pneumatic connection G1¼



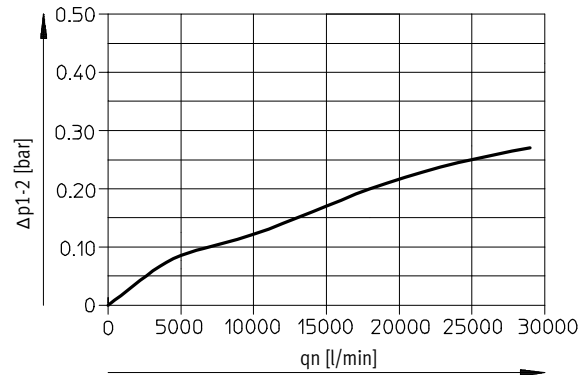
With connecting plate MS12-AGH

Pneumatic connection G1½



With connecting plate MS12-AGI

Pneumatic connection G2

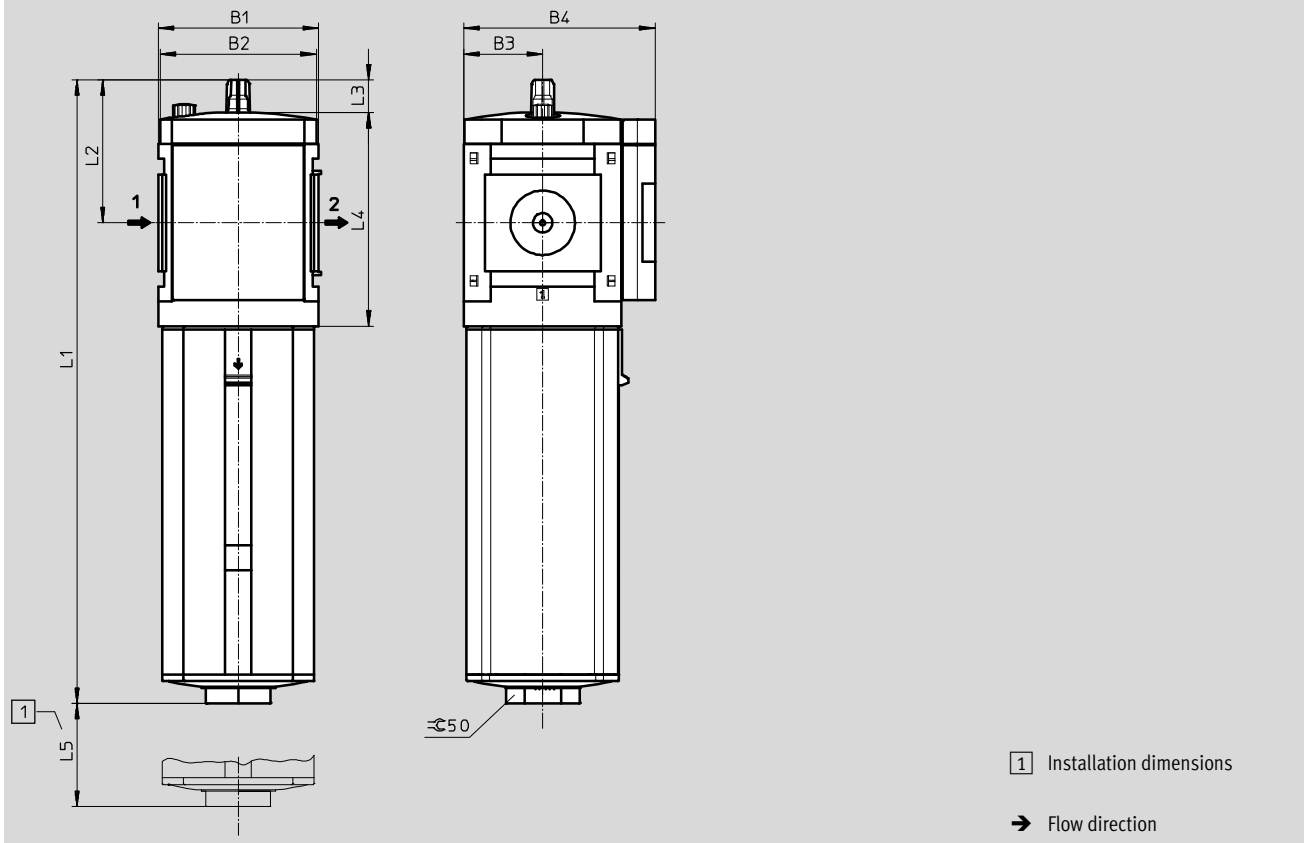


Lubricators MS12-LOE, MS series

Technical data

Dimensions – Basic version

Download CAD data → www.festo.com



Type	B1	B2	B3	B4	L1	L2	L3	L4	L5
MS12-LOE	124	122	61	148	483	111	25	166	300

Ordering data

Metal bowl

Size	Connection	Part No.	Type
MS12	G1 ... G2 ¹⁾	537156	MS12-LOE-G-U

1) Connecting plate must be ordered separately as an accessory → Internet: ms12-ag

· † · Note: This product conforms to ISO 1179-1 and to ISO 228-1

Ordering data – Wearing parts kits

Size	Part No.	Type
MS12	673746	MS12-LOE

Lubricators MS12-LOE, MS series

Ordering data – Modular products

M Mandatory data						O Options	
Module No.	Series	Size	Function	Pneumatic connection	Bowl	Type of mounting	Flow direction
535041	MS		LOE	AG..., G	U	WP	Z
Order example							
535041	MS	12	- LOE	- AGI	- U	- WP	- Z

Ordering table				Condi- tions	Code	Enter code
Grid dimension	[mm]					
M	Module No.	535041				
	Series	Standard			MS	MS
	Size	12			12	12
	Function	Lubricator			-LOE	-LOE
	Pneumatic connection	Connecting plate G1			-AGF	
		Connecting plate G1¼			-AGG	
		Connecting plate G1½			-AGH	
		Connecting plate G2			-AGI	
		Module without connecting thread, without connecting plate			-G	
	Bowl	Metal bowl			-U	-U
O	Type of mounting	Mounting bracket standard design		1	-WP	
	Flow direction	Flow direction from right to left			-Z	

1 WP Only with connecting plate AGF, AGG, AGH or AGI.

Transfer order code

535041	MS	12	- LOE	-		- U	-		-	
--------	----	----	-------	---	--	-----	---	--	---	--

Lubricators MS-LOE, MS series

Accessories

FESTO

Special oil



Ordering data		
Scope of delivery	Part No.	Type
1 litre	152811	OFSW-32