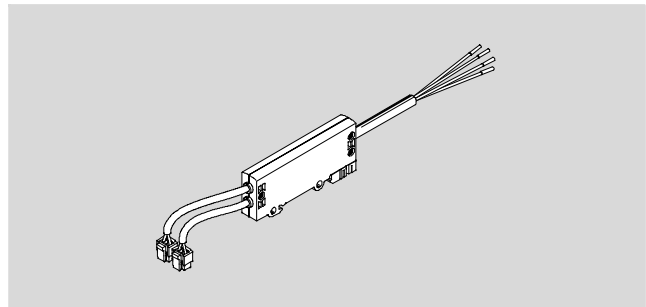


# Connecting cables NEBV, for valves

Technical data

**Connecting cable MHJ9-KMH**

- For MHJ9 valves
- With plug sockets KMH
- Cable lengths 0.5 and 2.5 m



General technical data		
Type	MHJ9-KMH ... -MF	MHJ9-KMH ... -HF
Electrical connection	2x straight socket KMH, 2-pin Cable, 4-wire	
Operating voltage range [V DC]	12 ... 53	
Control signal voltage range [V DC]	3 ... 30	
Note on power consumption [W]	Low-current phase 2	Low-current phase 2.8
per channel [W]	High-current phase 7	High-current phase 17.1
Notes on operation	Power supply unit must be able to supply at least 1.7 A without voltage dips	Power supply unit must be able to supply at least 1.85 A without voltage dips
Cable characteristics	For static applications	
Type of mounting	Via H-rail	
Mounting position	Any	
Protection class to EN 60529	IP40	

Materials	
Housing	POM
Cable sheath	PVC
Note on materials	RoHS-compliant

Operating and environmental conditions	
Ambient temperature [°C]	-5 ... +50
CE marking (see declaration of conformity)	To EU EMC Directive <sup>1)</sup>

1) For information about the applicability of the component see the manufacturer's EC declaration of conformity at: [www.festo.com](http://www.festo.com) → Support → User documentation.  
If the component is subject to restrictions on usage in residential, office or commercial environments or small businesses, further measures to reduce the emitted interference may be necessary.  
Max. permissible cable length 2.5 m.

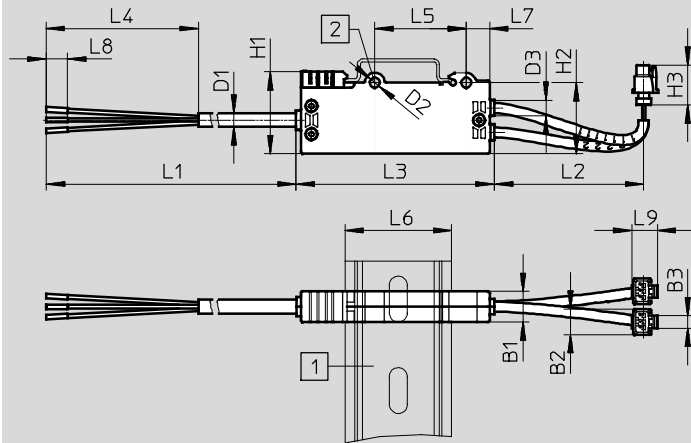
# Connecting cables NEBV, for valves

Technical data



## Dimensions

Download CAD data → [www.festo.com](http://www.festo.com)



Wiring allocation:  
 BU = GND  
 BN = Operating voltage positive  
 BK = Trigger 1  
 WH = Trigger 2

1 H-rail  
 2 Hole for wall mounting

Type	B1	B2	B3	D1	D2	D3	H1	H2	H3	L1	L2	L3	L4	L5	L6	L7	L8	L9
MHJ9-KMH-0,5	10	8	4	5	3.4	3.3	27	23	13	500	200	65	50	30	35	8	7	8
MHJ9-KMH-2,5										2,500								

## Ordering data

		Length	Weight	Part No.	Type
<b>Connecting cable</b>					
	With control electronics for 2 valves LF/LP, MF/LP and HF/LP	0.5 m	40 g	<b>553121</b>	<b>MHJ9-KMH-0,5-MF</b>
		2.5 m	98 g	<b>565519</b>	<b>MHJ9-KMH-2,5-MF</b>
	With control electronics for 2 valves HF	0.5 m	40 g	<b>562170</b>	<b>MHJ9-KMH-0,5-HF</b>
		2.5 m	98 g	<b>567505</b>	<b>MHJ9-KMH-2,5-HF</b>
<b>H-rail</b>					
	H-rail to EN 60715, galvanised steel	2 m	600 g	<b>35430</b>	<b>NRH-35-2000</b>