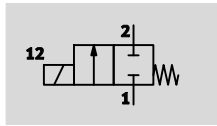





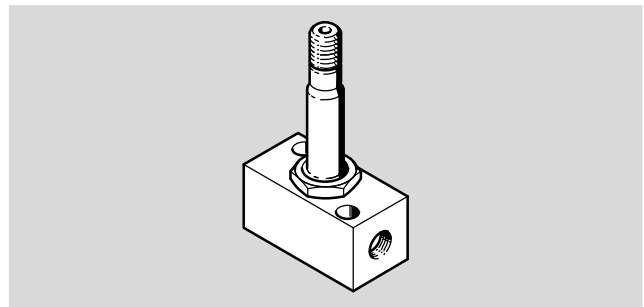
Directly actuated valves, 2/2-way solenoid valves

Technical data

Function



-  - Flow rate
300 l/min
-  - Temperature range
-5 ... +40 °C
-  - Pressure
-0.95 ... +7 bar



Operation with different pressures

Vacuum operation

The direction of flow is clearly defined and cannot be reversed.

It must therefore be ensured that this direction of flow is observed even

when operating the valve with vacuum.

This is achieved by connecting the vacuum to port 2.

Duty cycle

Up to an operating pressure of 5.5 bar, 100% duty cycle is permissible; for the pressure range 5.5 ... 7 bar the value is reduced to 40 %.

Reverse operation

Reverse operation is not possible; the direction of flow cannot be reversed.



Note

Vacuum must not be connected to port 1.

General technical data

Valve function	2/2, normally closed, single solenoid
Design	Poppet valve with spring return
Sealing principle	Soft
Reset method	Mechanical spring
Actuation type	Electric
Type of control	Direct
Direction of flow	Non-reversible
Manual override	None
Nominal width	[mm] 4
Standard nominal flow rate	[l/min] 300
Type of mounting	Via through-holes
Pneumatic port	1 G1/8 2 G1/8
Note on materials	RoHS-compliant

Operating and environmental conditions

Operating medium	Compressed air to ISO 8573-1:2010 [7:4:4]
Operating pressure	[bar] -0.95 ... +7
Ambient temperature	[°C] -5 ... +40
Temperature of medium	[°C] -10 ... +60
Storage temperature	[°C] -40 ... +100
Certification	c CSA us (OL)

Directly actuated valves, 2/2-way solenoid valves

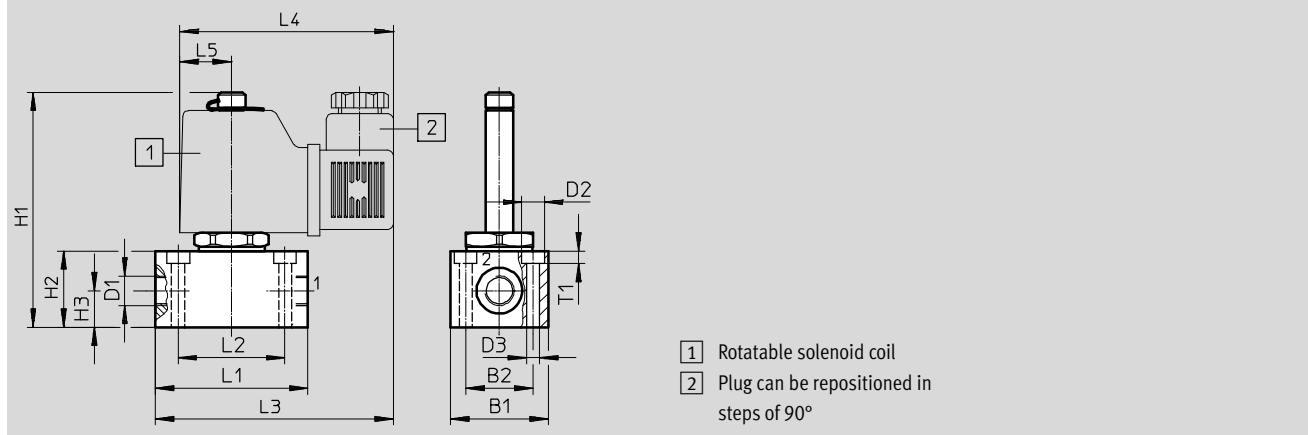
Technical data



Electrical data											
Direct voltage	Operating voltage	[V DC]	12	24	42	96	110	220	240		
	Power consumption	[W]	11.7	11	12	11	12.7	15	17.9		
AC voltage	Operating voltage	[V AC]	12	24	42	48	110	120	220	240	380
		[Hz]	50	50	50/60	50	50/60	60	50/60	50	50/60
	Pick-up power	[VA]	30								
	Holding capacity	[VA]	22								
Duty cycle		[%]	100	100	100	100	100	100	100	100	
Degree of protection to EN 60529			IP65	IP65	IP65	IP65	IP65	IP65	IP65	IP65	

Switching times and frequencies			
Switching time	On	[ms]	18
	Off	[ms]	20

Dimensions Download CAD data → www.festo.com



Type	B1	B2	D1	D2 Ø	D3 Ø	H1	H2	H3	L1	L2	L3	L4	L5	T1
MC-2-1/8	32	22	G1/8	8	4.5	77	25	12	50	35	77	70	18	4.7

Ordering data		Part No.	Type
	2/2-way solenoid valve, normally closed, single solenoid	2187	MC-2-1/8