

# Connecting cables NEBV, for valves

Technical data

## Connecting cable KMYZ-7

- Connecting cable for connecting individual valves CPV/CPA
- Pre-assembled
- Cable lengths 2.5 m, 5 m and 10 m
- With LEDs and protective circuit
- With integrated holding current reduction



General technical data	
Electrical connection	Angled socket, 2-pin, square design Open cable end, 2-wire
Switching position display	LED
Additional functions	Holding current reduction
Nominal operating voltage [V DC]	24
Cable composition [mm <sup>2</sup> ]	2x0.25
Cable diameter [mm]	3.4
Protective earth connection	No
Type of mounting	On solenoid valve via self-tapping screw
Tightening torque [Nm]	0.25
Mounting position	Any
Protection class to EN 60529	IP65 (assembled)

Materials	
Housing	Polyamide
Pin contact	Bronze
Cable sheath	TPE-U(PUR)
Note on materials	RoHS-compliant

Operating and environmental conditions	
Ambient temperature [°C]	-10 ... +50
CE marking (see declaration of conformity)	To EU EMC Directive <sup>1)</sup>

1) For information about the applicability of the component see the manufacturer's EC declaration of conformity at: [www.festo.com/sp](http://www.festo.com/sp) → User documentation.  
If the component is subject to restrictions on usage in residential, office or commercial environments or small businesses, further measures to reduce the emitted interference may be necessary.

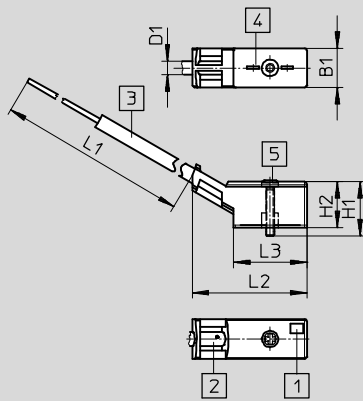
# Connecting cables NEBV, for valves

Technical data

FESTO

## Dimensions

Download CAD data → [www.festo.com](http://www.festo.com)



- 1 LED illuminated area
- 2 Inscription area
- 3 2-wire cable 2.5 m, 5 m or 10 m (2x0.25 mm<sup>2</sup>)
- 4 Connection pattern for MZC solenoid coil
- 5 Mounting screw

Type	B1	D1 ∅	H1	H2	L1	L2	L3
KMYZ-7-24-2,5-LED-PUR	9.7	3.4	13.25	12.15	2,500	28.1	18
KMYZ-7-24-5-LED-PUR	9.7	3.4	13.25	12.15	5,000	28.1	18
KMYZ-7-24-10-LED-PUR	9.7	3.4	13.25	12.15	10,000	28.1	18

## Ordering data

Electrical connection	Switching position display	Weight	Cable length	Part No.	Type
Angled socket, square design, 2-pin	LED	50 g	2.5 m	<b>193683</b>	<b>KMYZ-7-24-2,5-LED-PUR</b>
Open cable end, 2-wire	LED	90 g	5 m	<b>193685</b>	<b>KMYZ-7-24-5-LED-PUR</b>
	LED	170 g	10 m	<b>196070</b>	<b>KMYZ-7-24-10-LED-PUR</b>

## Ordering data – Accessories

Description	Part No.	Type
Inscription labels 6x10 mm, 64 pieces, in frames	<b>18576</b>	<b>IBS-6x10</b>