



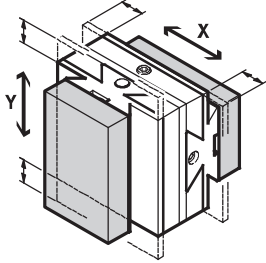
- Permits easy adjustment
- Wide choice of mounting options

Adjusting units HMXY

Key features

At a glance

Mounting options



- Precision adjusting unit in X and Y directions
- Allows easy adjustment of grippers to obtain precise gripping position
- Versatile precision interfaces using centring sleeves
- Wide choice of mounting options:
 - Direct mounting
 - Dovetail mounting

Combination with drives and grippers

Mounting on the basic components → 5

Linear module
HMP



Mini slide
SLT



Mini slide
DGSL



Adapter kits

- Direct mounting
- Dovetail mounting

Adjusting unit HMXY

- Interface between basic component and attachment component



Adapter kits

- Direct mounting
- Dovetail mounting

Mounting the attachment components → 7



Mini slide
DGSL



Mini slide
SLT



Semi-rotary module
DRQD



Gripper
DHPS, DHRS, DHDS, DHWS,
HGDT, HGDD, HGPP

Adjusting units HMX

Technical data

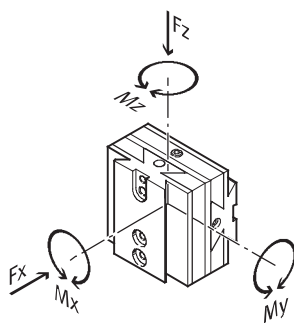
Adjusting unit



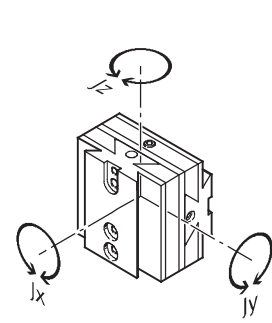
| General technical data | | HMX-1 | HMX-3 |
|--|---|-------------------------|-------|
| Positioning distance | y [mm] | 7.5 | 7.5 |
| | z [mm] | 7.5 | 7.5 |
| Max. static characteristic load values → Fig. 1 | Forces | | |
| | F_x [N] | 50 | 160 |
| | F_z [N] | 50 | 160 |
| | Torques | | |
| | M_x [Nm] | 1.4 | 20 |
| | M_y [Nm] | 1.4 | 20 |
| Mass moment of inertia → Fig. 2 | J_x [$\text{kgm}^2 \times 10^{-4}$] | 0.499 | 8.650 |
| | J_y [$\text{kgm}^2 \times 10^{-4}$] | 0.361 | 5.121 |
| | J_z [$\text{kgm}^2 \times 10^{-4}$] | 0.361 | 5.121 |
| Weight | [g] | 155 | 2,324 |
| Ambient temperature | [°C] | 5 ... 60 | |
| Corrosion resistance class CRC ¹⁾ | | 2 | |
| Material | | Anodised aluminium | |
| Note on materials | | Free of copper and PTFE | |

1) Corrosion resistance class 2 according to Festo standard 940 070
Components subject to moderate corrosion stress. Externally visible parts with primarily decorative surface requirements which are in direct contact with a normal industrial environment or media such as coolants or lubricating agents.

Max. permissible static characteristic load values Fig. 1



Mass moment of inertia Fig. 2



Adjusting units HMX

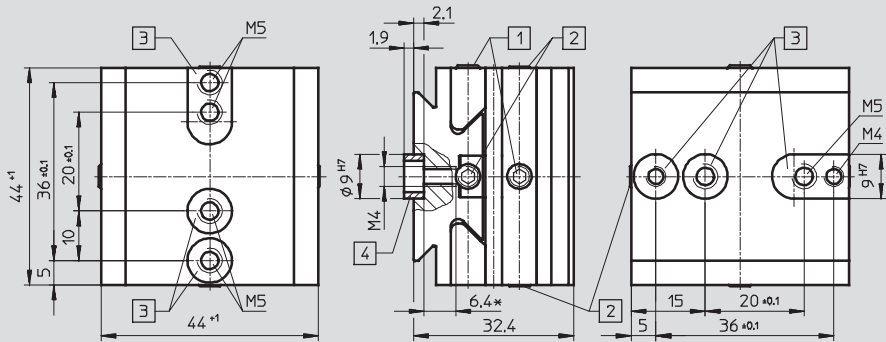
Technical data

FESTO

Dimensions

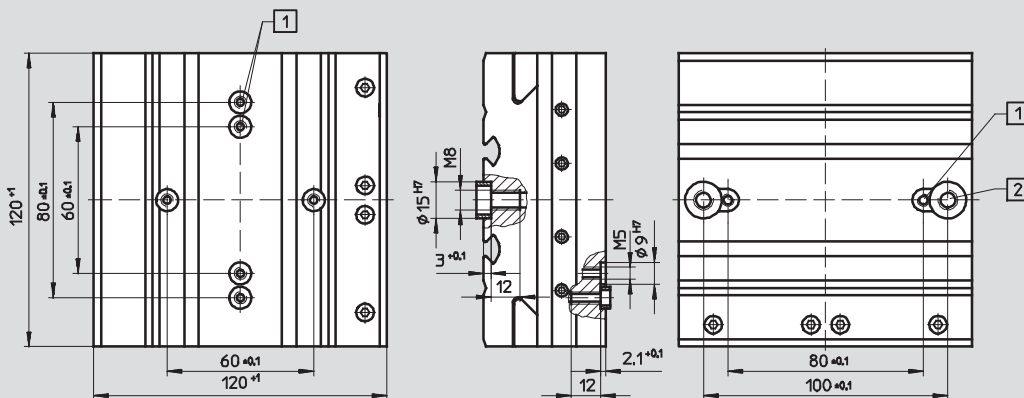
Download CAD data → www.festo.com

HMX-1



- 1 Locking screw
 - 2 Adjusting screw
 - 3 Centring hole/slot
 - 4 For centring sleeve ZBH-9 (2 included in the scope of delivery)
- * For M4 and M5 threads

HMX-3



- 1 For centring sleeve ZBH-9 (2 included in the scope of delivery)
- 2 For centring sleeve ZBH-15 (2 included in the scope of delivery)

Ordering data

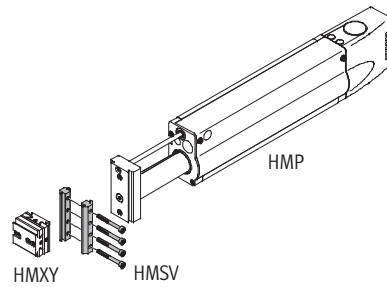
| | Part No. | Type |
|--|----------|-------|
| | 187582 | HMX-1 |
| | 526030 | HMX-3 |

Adjusting units HMXY

Technical data – Mounting on the basic components

Mounting on linear module HMP

Material:
 Adapter kit HMSV: Wrought aluminium alloy
 Free of copper and PTFE

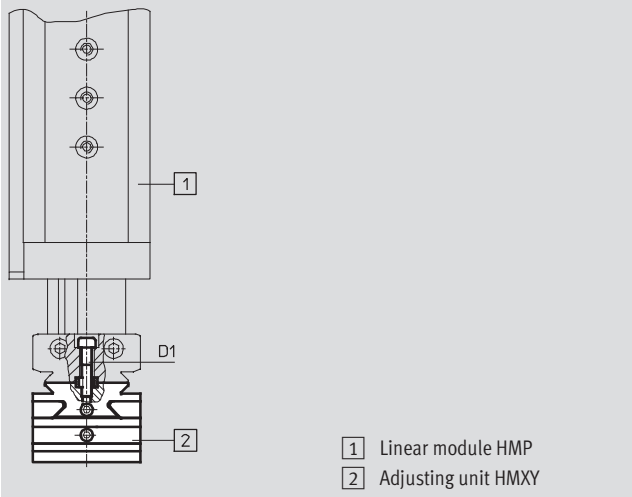


Direct mounting/dovetail mounting

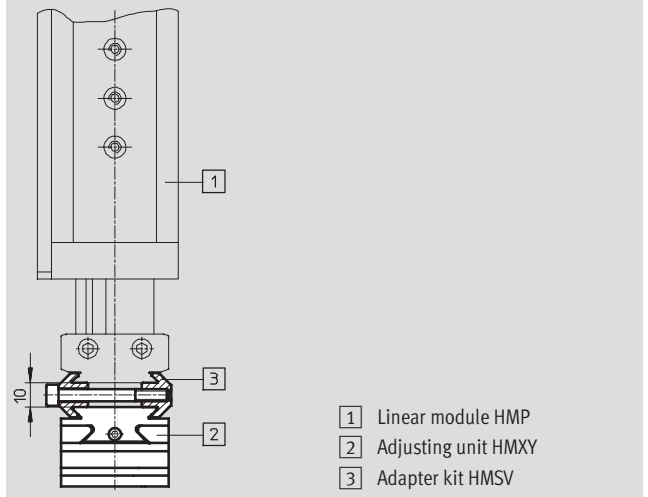
Dimensions and ordering data

Download CAD data → www.festo.com

Direct mounting



Dovetail mounting



| Basic component | Adjusting unit | Screws ¹⁾ D1 | Part No. | Type |
|--------------------------|----------------|----------------------------|----------|--------|
| Direct mounting | | | | |
| HMP-16/20 | HMXY-3 | 2x M5x25 | - | |
| HMP-25/32 | | 2x M5x30 | - | |
| Dovetail mounting | | | | |
| HMP-16/20/25/32 | HMXY-1 | - | 177647 | HMSV-1 |
| HMP-16/20/25/32 | HMXY-3 | - | 177649 | HMSV-3 |

1) The screws listed are not included in the scope of delivery of the adjusting unit.

Adjusting units HMX

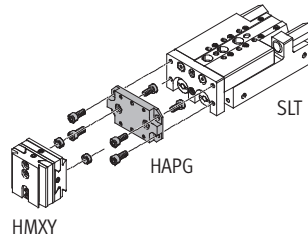
Technical data – Mounting on the basic components

Mounting on mini slide SLT

Material:

Adapter kit HAPG: Wrought aluminium alloy

Free of copper and PTFE

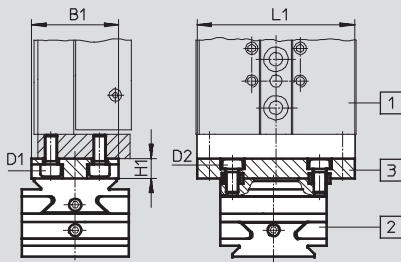


Direct mounting

Dimensions and ordering data

Download CAD data → www.festo.com

Direct mounting



- 1 Mini slide SLT
- 2 Adjusting unit HMX
- 3 Adapter kit HAPG

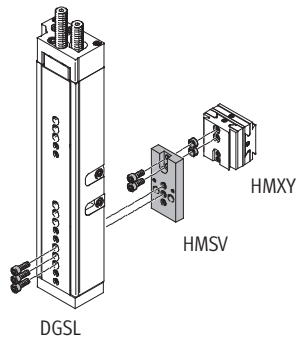
| Basic component | Adjusting unit | B1 | H1 | L1 | Screws D1 | Screws D2 | Part No. | Type |
|-----------------|----------------|----|----|----|--------------|--------------|----------|---------|
| SLT-16 | HMX-1 | 36 | 8 | 65 | M5x10 | M5x12 | 191266 | HAPG-48 |
| SLT-20 | | 44 | 10 | 80 | M5x12 | M5x14 | 191268 | HAPG-50 |
| SLT-25 | HMX-1/3 | 44 | 12 | 91 | M6x16 | M5x14 | 191270 | HAPG-52 |

Adjusting units HMX

Technical data – Mounting the attachment components

Mounting on mini slide DGSL

Material:
 Adapter kit HMSV:
 Wrought aluminium alloy
 Free of copper and PTFE

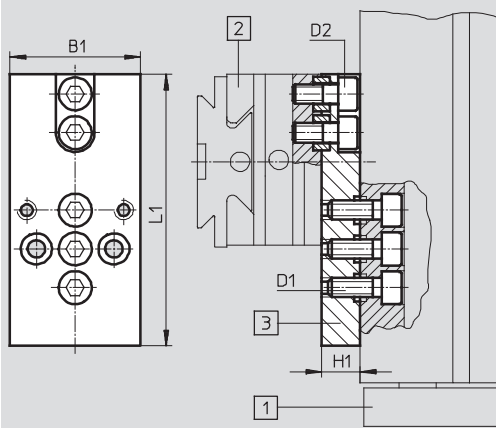


Direct mounting

Dimensions and ordering data

Download CAD data → www.festo.com

Direct mounting



- 1 Mini slide DGSL
- 2 Adjusting unit HMX
- 3 Adapter kit HMSV

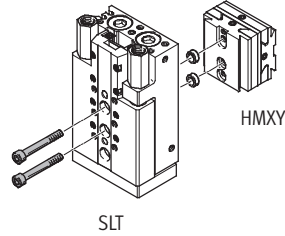
| Attachment component | Adjusting unit | B1 | D1 | D2 | H1 | L1 | Part No. | Type |
|----------------------|----------------|------|----|----|----|-----|----------|---------|
| DGSL-4/6 | HMX-1 | 33.6 | M3 | M5 | 10 | 87 | 548787 | HMSV-57 |
| DGSL-8/10 | HMX-1 | 33.6 | M4 | M5 | 10 | 87 | | |
| DGSL-12/16 | HMX-1 | 33.6 | M5 | M5 | 10 | 70 | 548782 | HMSV-52 |
| DGSL-20/25 | HMX-3 | 40 | M6 | M5 | 10 | 100 | 548929 | HMSV-60 |

Adjusting units HMX

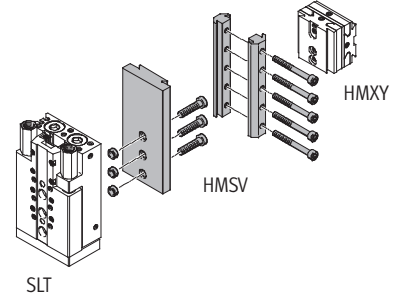
Technical data – Mounting the attachment components

Mounting on mini slide SLT

Material:
 Adapter kit HMSV: Wrought aluminium alloy
 Free of copper and PTFE



Direct mounting

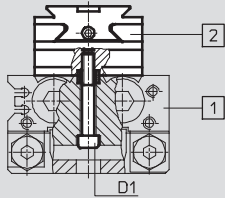


Dovetail mounting

Dimensions and ordering data

Download CAD data → www.festo.com

Direct mounting

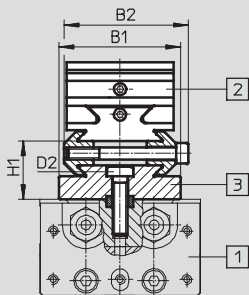


- 1 Mini slide SLT
- 2 Adjusting unit HMX

| Attachment component | Adjusting unit | Screws ¹⁾ |
|----------------------|----------------|----------------------|
| SLT-16 | HMX-1 | D1 2x M5x38 |

1) The screws listed are not included in the scope of delivery of the adjusting unit.

Dovetail mounting



- 1 Mini slide SLT
- 2 Adjusting unit HMX
- 3 Adapter kit HMSV

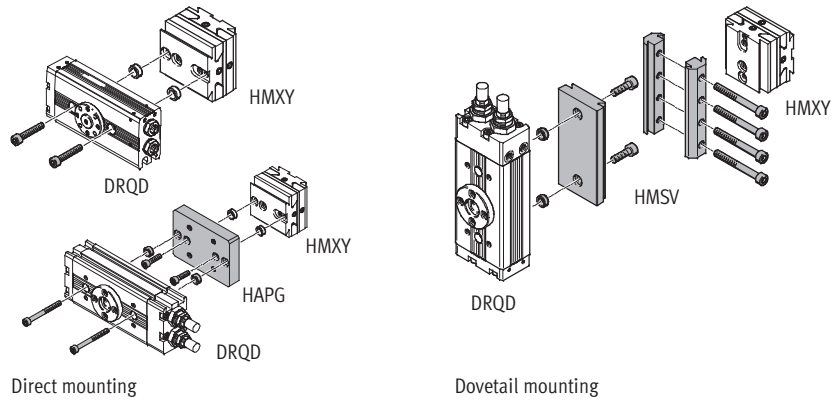
| Attachment component | Adjusting unit | B1 | B2 | H1 | Screws D2 | Part No. | Type |
|----------------------|----------------|----|----|----|--------------|----------|---------|
| SLT-6 | HMX-1/3 | 40 | 51 | 22 | M3x20 | 178329 | HMSV-34 |
| SLT-10 | | 40 | 51 | 22 | M4x30 | 178330 | HMSV-35 |
| SLT-16 | | 50 | 51 | 24 | M6x25 | 178331 | HMSV-36 |
| SLT-20 | | 80 | 51 | 26 | M6x25 | 178332 | HMSV-37 |
| SLT-25 | HMX-3 | 80 | 51 | 26 | M8x25 | | |

Adjusting units HMXY

Technical data – Mounting the attachment components

Mounting on semi-rotary drive DRQD

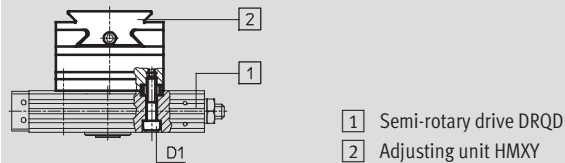
Material:
 Adapter kit HAPG, HMSV:
 Wrought aluminium alloy
 Free of copper and PTFE



Dimensions and ordering data

Download CAD data → www.festo.com

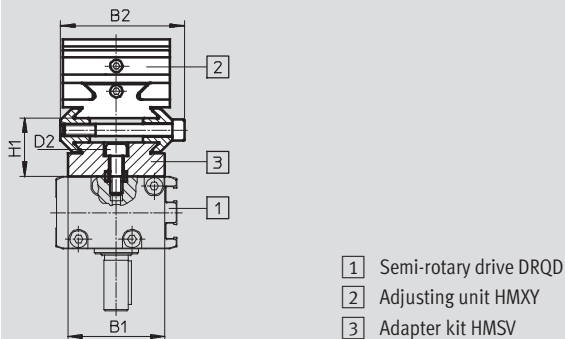
Direct mounting



| Attachment component | Adjusting unit | Screws ¹⁾ D1 | Part No. | Type |
|----------------------|----------------|----------------------------|---------------|----------------|
| DRQD-8 | HMXY-1 | 2x M4x20 | – | |
| DRQD-12 | | 2x M4x25 | – | |
| DRQD-B-16/20 | | – | 192707 | HAPG-38 |
| DRQD-B-32 | HMXY-3 | 2x M5x55 | – | |
| DRQD-40 | | 2x M8x75 ²⁾ | – | |
| DRQD-50 | | 2x M8x90 ³⁾ | – | |

- 1) The screws listed are not included in the scope of delivery of the adjusting unit.
- 2) The clamping length should be 60 mm.
- 3) The clamping length should be 75 mm.

Dovetail mounting



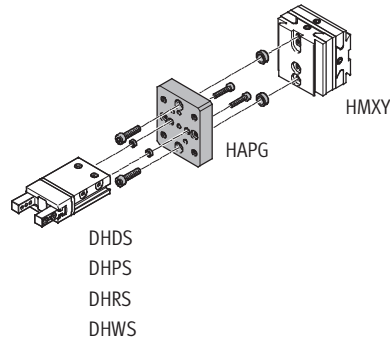
| Attachment component | Adjusting unit | B1 | B2 | H1 | Screws D2 | Part No. | Type |
|----------------------|----------------|----|----|----|--------------|---------------|----------------|
| DRQD-B-16/20 | HMXY-1/3 | 40 | 51 | 22 | M5x16 | 177656 | HMSV-10 |
| DRQD-B-25 | HMXY-3 | 50 | 51 | 24 | M5x10 | 177657 | HMSV-11 |
| | | | | | | 177649 | HMSV-3 |
| DRQD-B-32 | | | | | | 177663 | HMSV-17 |
| | | | | | | 177653 | HMSV-7 |

Adjusting units HMXY

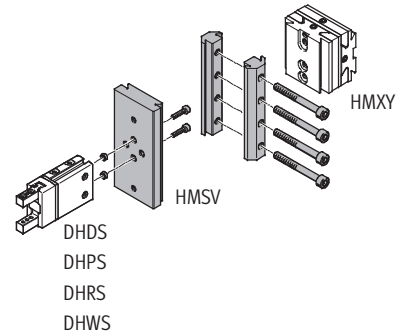
Technical data – Mounting the attachment components

Mounting on gripper DHDS, DHPS, DHRS, DHWS

Material:
 Adapter kit HAPG:
 Wrought aluminium alloy
 Free of copper and PTFE



Direct mounting

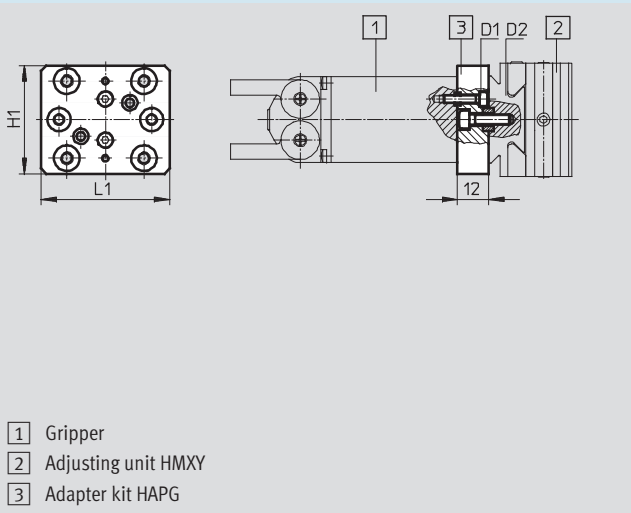


Dovetail mounting

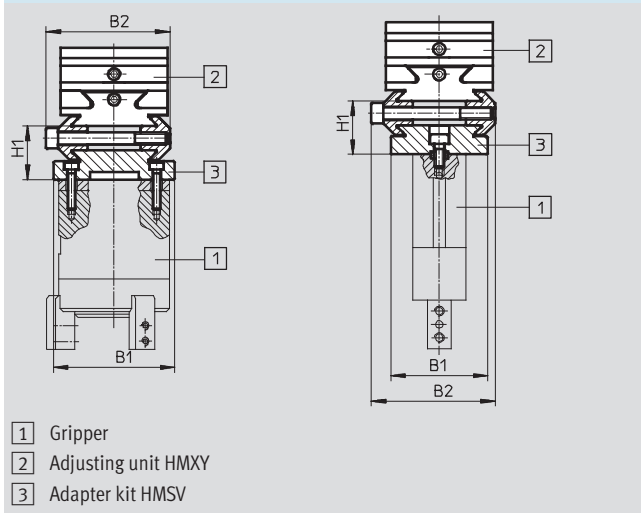
Dimensions and ordering data

Download CAD data → www.festo.com

Direct mounting



Dovetail mounting



| Attachment component | Adjusting unit | B1 | B2 | H1 | L1 | Screws D1 | Screws D2 | Part No. | Type |
|------------------------------|----------------|----|----|----|----|--------------|--------------|----------|------------|
| Direct mounting | | | | | | | | | |
| DHPS-06, DHRS-10, DHWS-10 | HMXY-1 | - | - | 42 | 50 | M3x14 | M4x16 | 192706 | HAPG-37-S1 |
| DHDS-16 | | - | - | 42 | 50 | M3x20 | M4x16 | 193921 | HAPG-36-S3 |
| DHPS-06, DHRS-16, DHWS-16 | | - | - | 42 | 50 | M3x14 | M4x16 | 192705 | HAPG-36-S1 |
| DHPS-16, DHRS-25, DHWS-25 | | - | - | 42 | 50 | M4x14 | M4x16 | 193922 | HAPG-37-S4 |
| Dovetail mounting | | | | | | | | | |
| DHPS-10, DHRS-16, DHWS-16 | HMXY-1/3 | 40 | 51 | 22 | - | - | - | 177767 | HMSV-27 |
| DHPS-16, DHRS-25, DHWS-25 | | 40 | 51 | 22 | - | - | - | 177768 | HMSV-28 |
| DHPS-25, DHRS-32, DHWS-32 | | 50 | 51 | 24 | - | - | - | 177769 | HMSV-29 |
| DHDS-32 | HMXY-3 | 50 | 51 | 22 | - | - | - | 178212 | HMSV-32 |
| DHPS-35, DHRS-40, DHWS-40 | | 60 | 51 | 28 | - | - | - | 177770 | HMSV-30 |
| DHDS-50 | | 70 | 51 | 24 | - | - | - | 178213 | HMSV-33 |

Adjusting units HMXY

Technical data – Mounting the attachment components

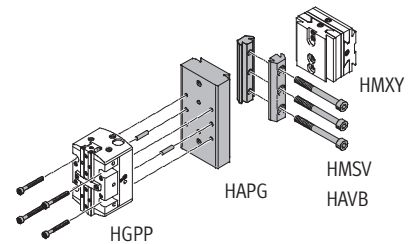
Mounting on parallel gripper HGPP

Material:

Adapter kit HAVB, HMSV, HAPG:

Wrought aluminium alloy

Free of copper and PTFE

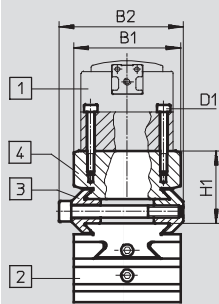


Dovetail mounting

Dimensions and ordering data

Download CAD data → www.festo.com

Dovetail mounting



- 1 Parallel gripper HGPP
- 2 Adjusting unit HMXY
- 3 Adapter kit HMSV, HAVB
- 4 Adapter kit HAPG

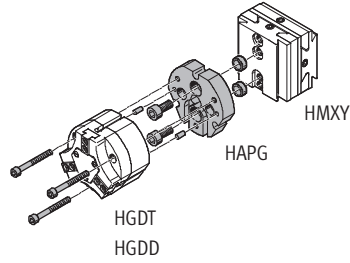
| Attachment component | Adjusting unit | B1 | B2 | H1 | Screws D1 | Part No. | Type | Part No. | Type |
|----------------------|----------------|----|----|------|--------------|----------|--------|----------|---------|
| HGPP-12 | HMXY-1 | 44 | 51 | 27.5 | M5x30 | 163239 | HAVB-3 | 191262 | HAPG-44 |
| | HMXY-3 | 44 | 51 | 30 | M5x30 | 177649 | HMSV-3 | 191262 | HAPG-44 |
| HGPP-16 | HMXY-1 | 44 | 51 | 27.5 | M5x30 | 163239 | HAVB-3 | 191263 | HAPG-45 |
| | HMXY-3 | 44 | 51 | 30 | M5x30 | 177649 | HMSV-3 | 191263 | HAPG-45 |
| HGPP-20 | HMXY-1 | 50 | 51 | 19.5 | M5x30 | 163239 | HAVB-3 | 191265 | HAPG-47 |
| | HMXY-3 | 50 | 51 | 22 | M5x30 | 177649 | HMSV-3 | 191265 | HAPG-47 |
| HGPP-25 | HMXY-1 | 60 | 51 | 25.5 | M5x40 | 163239 | HAVB-3 | 529019 | HAPG-59 |
| | HMXY-3 | 60 | 51 | 28 | M5x40 | 177649 | HMSV-3 | 529019 | HAPG-59 |
| HGPP-32 | HMXY-3 | 60 | 51 | 28 | M5x50 | 177653 | HMSV-7 | 529020 | HAPG-61 |

Adjusting units HMXY

Technical data – Mounting the attachment components

Mounting on three-point gripper HGDT, HGDD

Material:
 Adapter kit HAPG:
 Wrought aluminium alloy
 Free of copper and PTFE

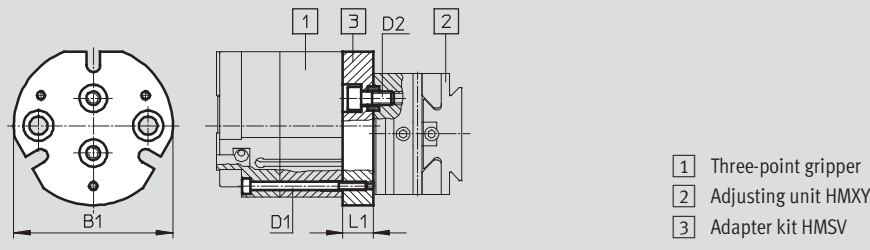


Direct mounting

Dimensions and ordering data

Download CAD data → www.festo.com

Direct mounting



| Attachment component | Adjusting unit | B1 | D1 | D2 | L1 | Part No. | Type |
|----------------------|----------------|----|----|----|----|----------|-------------|
| HGDT-25 | HMXY-1 | 48 | M3 | M5 | 10 | 542439 | HAPG-SD2-32 |
| HGDT-35, HGDD-35 | | 58 | M3 | M5 | 11 | 542436 | HAPG-94 |