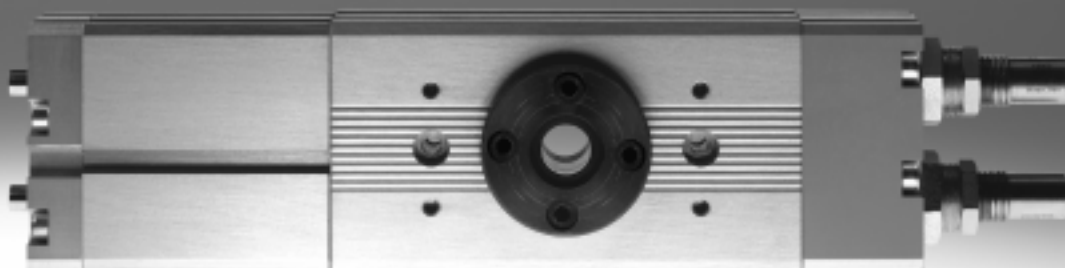


Semi-rotary drives DRQD/DRQD-B, twin pistons



- 7 - Type discontinued
Available up until 2016

Semi-rotary drives DRQD/DRQD-B, twin pistons

Key features



General

- Rack and pinion principle
- High accuracy
- Extremely good rigidity
- Backlash-free and dynamic
- Piston \varnothing 6 ... 50 mm
- Torque 0.16 ... 50 Nm
- Swivel angle 0 ... 360°
- Defined interfaces
- End-position adjustment -60 ... +6°
- End-position adjustment with end-position cushioning P1J -320 ... +6°
- Choice of mounting options
- Supply port at one end
- Ideal for use in handling applications

Wide choice of variants

Spigot shaft



- Piston \varnothing 6 ... 50 mm

Flanged shaft



- Piston \varnothing 6 ... 50 mm

Adjustable end-position cushioning



- Piston \varnothing 16 ... 50 mm
- PPVJ – pneumatic, adjustable
- YSRJ – hydraulic shock absorber, self-adjusting
- Piston \varnothing 16 ... 32 mm
- P1J – flexible cushioning elements, adjustable

Intermediate position



- Piston \varnothing 16 ... 50 mm
- Allows positioning of the drive shaft in a mid-position

Position sensing



- Piston \varnothing 6 ... 50 mm
- For piston \varnothing 6 ... 12 mm: proximity sensor SME/SMT-10
- For piston \varnothing 16 ... 50 mm: proximity sensor SME/SMT-8

Adapter kits for grippers and drive combinations



- Piston \varnothing 6 ... 50 mm

Energy through-feed



- Piston \varnothing 6 ... 50 mm
- Simple and space-saving installation of tubing through the hollow flanged shaft
- DRQD-...-SD...
1 ... 4 DUO tubes

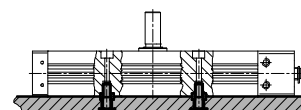
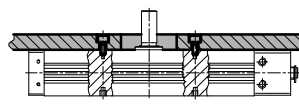
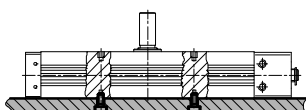
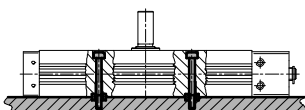


- Piston \varnothing 16 ... 50 mm
- Simple and space-saving installation of tubing and cables through the hollow flanged shaft
- DRQD-...-E...
1 ... 2 DUO tubes and 2 ... 4 electrical cables

Mounting options

using through holes

via thread in housing profile



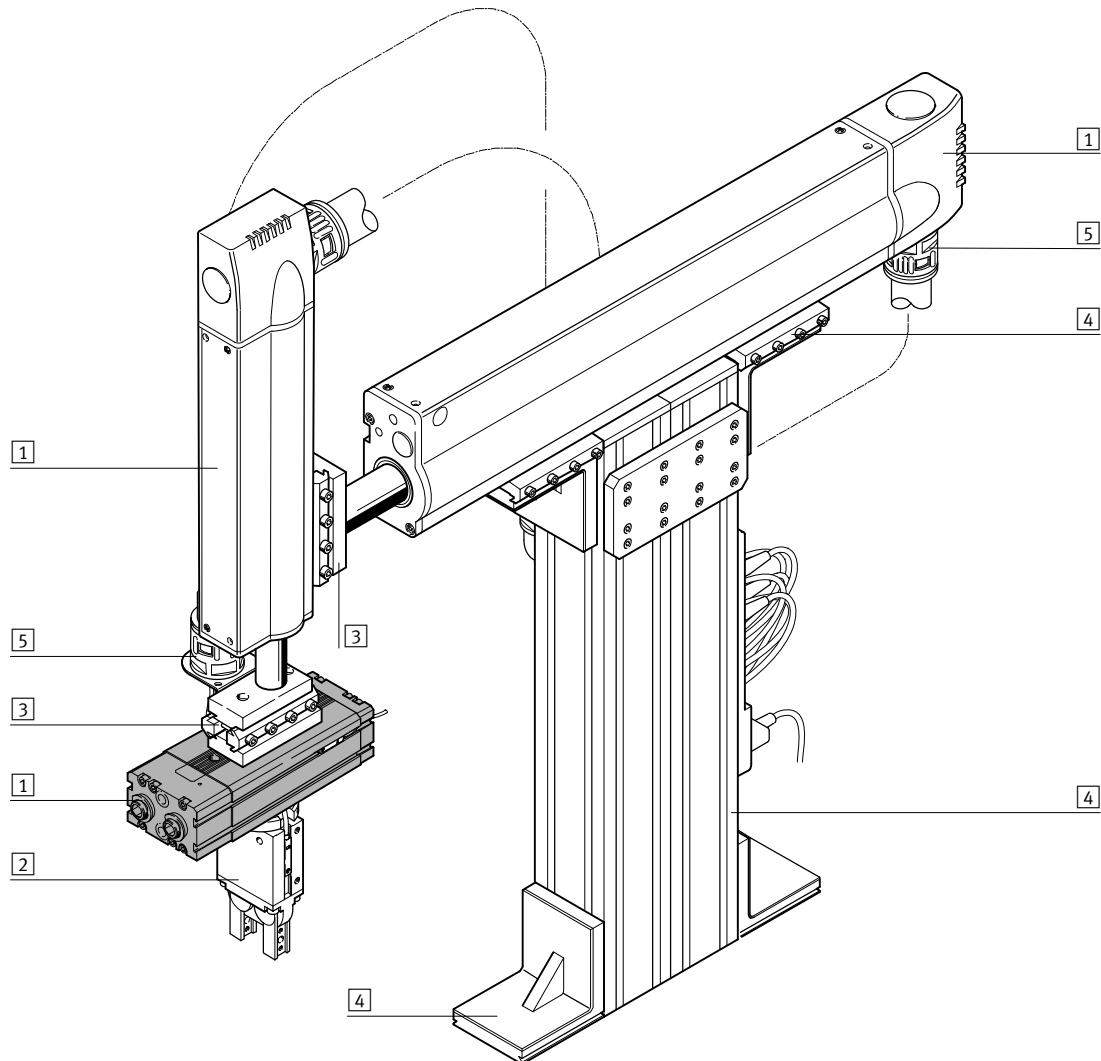
- 2 - Type discontinued
Available up until 2016

FESTO

Semi-rotary drives DRQD/DRQD-B, twin pistons

System example

System product for handling and assembly technology



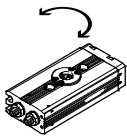
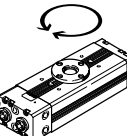
System elements and accessories		
	Description	→ Page/Internet
1	Drive units	Wide range of combination options within handling and assembly technology drive
2	Grippers	Wide range of combination options within handling and assembly technology gripper
3	Adapters	For drive/drive combinations 67 For drive/gripper combinations gripper
4	Basic mounting components	Profiles and profile connectors as well as profile/drive connectors basic component
5	Installation components	For achieving a clear-cut, safe layout for electrical cables and tubing installation component
-	Axes	Wide range of combination options within handling and assembly technology axes
-	Motors	Servo and stepper motors, with or without gearing motor

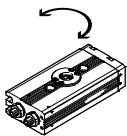
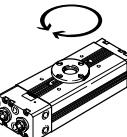
- 7 - Type discontinued
Available up until 2016

Semi-rotary drives DRQD/DRQD-B, twin pistons

Product range overview

FESTO

Function	Version	Type	Piston Ø [mm]	Swivel angle [°]	Adjustable end-position range [°]	Position sensing	End-position adjustment with flexible buffers in the end positions J...
						A	
Double- acting	Basic version						
		DRQD	6, 8, 12	90	-20 ... +6	■	■
				180	-60 ... +6		
		DRQD-B	16, 20, 25, 32	90	-20 ... +6	■	-
				180	-320 ... +6		
				360			
0 ... 340							
	DRQD	40, 50	90	-20 ... +6	■	-	
			180				
			360				
			0 ... 340				

Function	Version	Type	Piston Ø [mm]	Output shaft		
				Spigot shaft ZW	Flanged shaft FW	Integrated adapter for direct mounting of grippers A...
Double- acting	Basic version					
		DRQD	6, 8, 12	■	■	■
		DRQD-B	16, 20, 25, 32	■	■	-
	DRQD	40, 50	■	■	-	

- 2 - Type discontinued
Available up until 2016

Semi-rotary drives DRQD/DRQD-B, twin pistons

FESTO

Product range overview

Type	Piston Ø [mm]	Type of cushioning			Pneumatic connection	
		Pneumatic cushioning, adjustable PPV)	Flexible cushioning elements, adjustable P1]	Hydraulic shock absorber, self-adjusting YSRJ)	left AL	right AR
Basic version						
DRQD	6, 8, 12	-	-	-	-	■
DRQD-B	16, 20, 25, 32	■	■	■	■	■
DRQD	40, 50	■	-	■	■	■

Type	Piston Ø [mm]	Intermediate position	Energy through-feed	Adapter kits for grippers	→ Page/Internet
		Z1	SD..., E...		
Basic version					
DRQD	6, 8, 12	-	■	■	6
DRQD-B	16, 20, 25, 32	■	■	■	22
DRQD	40, 50	■	■	■	22

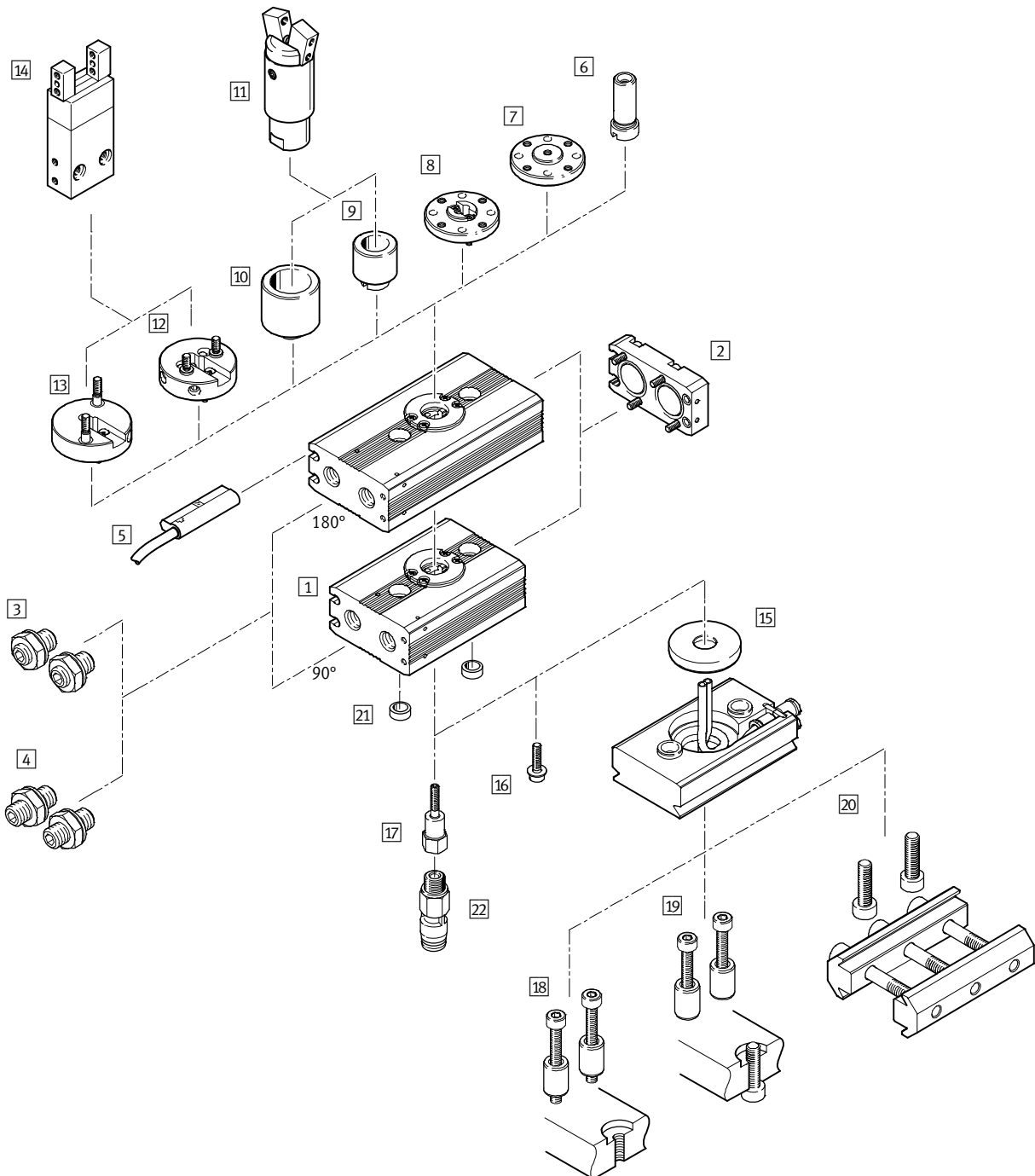
- 7 - Type discontinued
Available up until 2016

Semi-rotary drives DRQD-6 ... 12, twin-pistons

Peripherals overview

FESTO

Piston \varnothing 6 ... 12



Semi-rotary drives DRQD-6 ... 12, twin-pistons

Peripherals overview

Variants, mounting attachments and accessories						
	Description	Piston Ø			→ Page/Internet	
		6	8	12		
1	Centre section	Centre section for 90° or 180° swivel angle	■	■	■	9
2	Connector cap	With integrated compressed air directional function	■	■	■	
3	End-position adjustment J20	Flexible end position cushioning with adjustable end positions (-20 ... +6°)	■	■	■	
4	End-position adjustment J60	Flexible end position cushioning with adjustable end positions (-60 ... +6°)	■	■	■	
5	Position sensing A	Contactless via proximity sensors SME-/SMT-10	■	■	■	65
6	Spigot shaft ZW ¹⁾	Hollow with woodruff key	■	■	■	9
7	Flanged shaft FW ¹⁾	Hollow	■	■	■	
8	Flanged shaft FW-SD32	Hollow, for energy through-feed	-	■	■	
9	Adapters A08 ²⁾	For grippers HGWM-08-...-G8 and HGPM-08-...-G8	■	■	■	
10	Adapters A12 ²⁾	For grippers HGWM-12-...-G8 and HGPM-12-...-G8	■	■	■	
11	Grippers HGPM/HGWM	HGPM-...-G8 and HGWM-...-G8	■	■	■	gripper
12	Adapters AS1	For grippers DHPS-06-A, DHRS-10-A and DHWS-10-A	-	■	■	9
13	Adapters AS2	For grippers DHDS-16-A	-	■	■	
14	Grippers DHPS/DHDS/DHRS/DHWS	DHPS-06-A, DHDS-16-A, DHRS-10-A, DHWS-10-A	-	■	■	gripper
15	Energy through-feed SD32	2 tubes with O.D. 3 mm	-	■	■	14
16	Socket head screw ZS	Mounting of ZW and FW	■	■	■	9
17	Hollow bolt HS	Mounting of ZW, FW, A08, A12 and air supply for attachments	■	■	■	
18	Type of mounting B1	For connection of DRQD/FW-SD32: Locking screws in centring sleeves	■	■	■	
19	Type of mounting B2	For connection of DRQD/FW-SD32: Through screws in attachment	■	■	■	
20	Type of mounting B3	For connection of DRQD/FW-SD32: Clamping via profile, grid 40 mm	■	■	■	
21	Centring sleeve ZBH	For centring (2 pieces included in scope of delivery for DRQD)	■	■	■	14
22	Rotary push-in fitting ³⁾ QS	Quick Star push-in fittings, rotatable with ball bearing	■	■	■	

1) The socket head screw ZS is included in the scope of delivery. The hollow bolt HS must be ordered separately

2) Only in conjunction with hollow bolt HS. The hollow bolt HS must be ordered separately

3) For energy through-feed in combination with HS

- 1 - Type discontinued
Available up until 2016

FESTO

Semi-rotary drives DRQD-6 ... 12, twin-pistons

Type codes

DRQD - 6 - 180 - J60 - A - A12 - - HS - B2 - B - -

Type

Double-acting	
DRQD	Semi-rotary drive

Piston Ø [mm]

Swivel angle [°]

End-position adjustment [°]

J20	-20 ... +6
J60	-60 ... +6

Position sensing

A	For proximity sensing
---	-----------------------

Output shaft/adaptor

ZW	Spigot shaft
FW	Flanged shaft
A08	Adapter for micro, angle and parallel grippers
A12	
AS1	Adapter for parallel, three-point, angle and radial grippers
AS2	

Energy through-feed

SD32	2 tubes with O.D. 3 mm
------	------------------------

Type of screw

ZS	Socket head screw
HS	Hollow bolt

Type of mounting

B1	Locking screws in centring sleeves
B2	Through screws in attachment
B3	Clamping via profile, 40 mm

User's manual

	German
E	English
F	French
S	Spanish
I	Italian
V	Swedish
B	Express waiver – no user manual to be included (already available)

EU certification

EX4	II 2GD
-----	--------

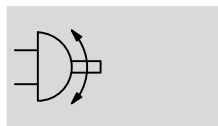
- 7 - Type discontinued
Available up until 2016

FESTO

Semi-rotary drives DRQD-6 ... 12, twin-pistons

Technical data

Function



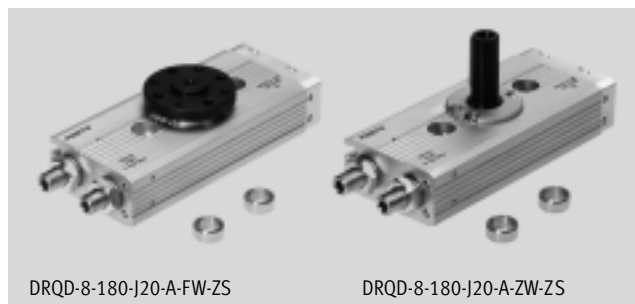
- Ø - Diameter
6 ... 12 mm

- ≡ - Force
0.16 ... 0.76 Nm

- T - www.festo.com

Variants

- 90° and 180° swivel angle
- Spigot or flanged shaft
- Adapters for grippers
- End-position adjustment
- Position sensing
- Energy through-feed
- Different types of mounting



DRQD-8-180-J20-A-FW-ZS

DRQD-8-180-J20-A-ZW-ZS

General technical data			
Piston Ø	6	8	12
Pneumatic connection	M3		
	HS	M5	
	SD32	-	QS...-3 for tube O.D. 3 mm
Constructional design	Semi-rotary drive with twin pistons based on the rack and pinion principle		
Cushioning	Flexible buffer at both ends		
Position sensing	For proximity sensing		
Type of mounting	Via through-hole		
	Via female thread		
Assembly position	Any		

Operating and environmental conditions			
Piston Ø	6	8	12
Operating medium	Compressed air in accordance with ISO 8573-1:2010 [7:-:-]		
Operating pressure [bar]	1 ... 8		
	SD32	-	1.5 ... 8
Adjustable end-position range per end position [°]	J20	-20 ... +6	
	J60	-60 ... +6	
Max. permissible swivelling frequency at 6 bar (for completed cycle of motion) [Hz]	90°	5	4
	180°	3.5	2.5
	SD32	-	A reduction of max. 5% of the values indicated above
Repetition accuracy [°]	< 0.2		
Ambient temperature ¹⁾ [°C]	-10 ... +60		
Corrosion resistance class CRC ²⁾	1		
ATEX	Specified types → www.festo.com		

1) Note operating range of proximity sensors

2) Corrosion resistance class CRC 1 to Festo standard FN 940070

Low corrosion stress. For dry indoor applications or transport and storage protection. Also applies to parts behind covers, in the non-visible interior area, and parts which are covered in the application (e.g. drive trunnions).

- 1 - Type discontinued
Available up until 2016


Semi-rotary drives DRQD-6 ... 12, twin-pistons

Technical data

FESTO

ATEX ¹⁾	
ATEX category for gas	II 2G
Explosion ignition protection type for gas	c T4 X
ATEX category for dust	II 2D
Explosion ignition protection type for dust	c 120°C X
Explosion-proof temperature rating	-10°C ≤ Ta ≤ +60°C
CE marking (see declaration of conformity)	To EU Explosion Protection Directive (ATEX)

1) Make sure that the accessories are suited for ATEX application.

Forces and torques				
Piston Ø		6	8	12
Theoretical torque [Nm] at 6 bar		0.16	0.33	0.76
	SD32	–	0.28	0.72
 Note: If torque acts against the direction of rotation in the end position, a drive with a rating of twice the maximum theoretical torque should be selected.				
Max. permissible radial and axial forces		Diagrams → 13		
Max. permissible mass moment of inertia [kgm ²]		0.075 x 10 ⁻⁴	0.25 x 10 ⁻⁴	0.7 x 10 ⁻⁴
		The data applies to the variants ZW, FW, A... without grippers, unthrottled.		

Weights [g]					
Piston Ø		6	8	12	
Centre section	90°	J20	66	90	145
		J60	67	92	148
	180°	J20	82	111	177
		J60	83	113	180
Output shaft	ZW	2	4		
	FW	4	7		
Adapters	A08	6	11		
	A12	6	11		
	AS1	–	13		
	AS2	–	15		
Screws	ZS	1			
	HS	4		5	
Flanged shaft with energy through-feed	SD32	–	71		
Mounting in combination with SD32	B1	–	17		
	B2	–	17	18	
	B3	–	81		

- 2 - Type discontinued
Available up until 2016

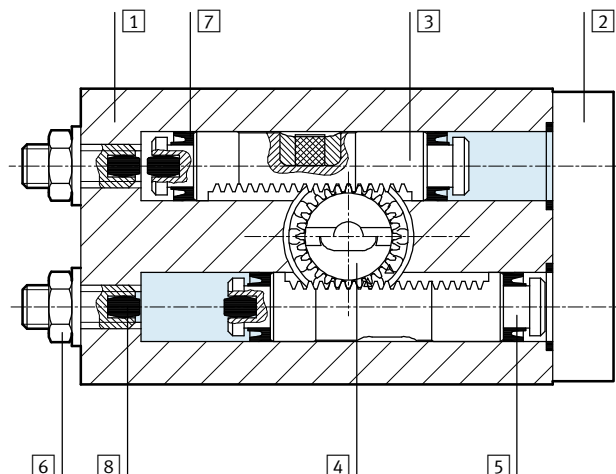
FESTO

Semi-rotary drives DRQD-6 ... 12, twin-pistons

Technical data

Materials

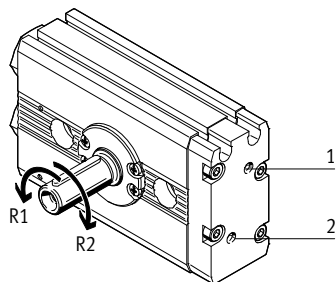
Sectional view



Piston Ø	6	8	12
1	Cylinder barrel (centre section)		
2	Connector cap		
3	Gear rack		
4	Pinion		
5	Piston		
6	Threaded pin, hex nuts		
7	Piston seal	Nitrile rubber	Polyurethane
8	Buffer for end-position cushioning		
-	DUO spiral tubing		
-	Woodruff key		
-	Hollow bolt, centring sleeves		
-	Static seals		
-	Material note		

Direction of rotation of the drive shaft

Pneumatic actuation of ports 1 or 2 produces a rotational movement in direction R1 or R2 respectively.



- 1 - Type discontinued
Available up until 2016

FESTO

Semi-rotary drives DRQD-6 ... 12, twin-pistons

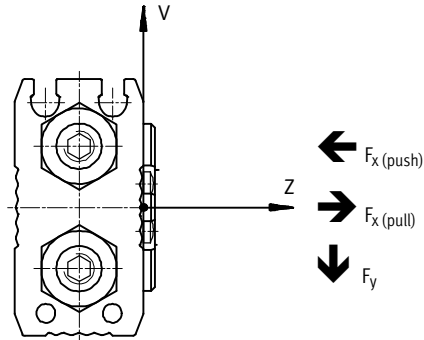
Technical data

Max. permissible radial and axial forces on the drive shaft

Combined load

A semi-rotary drive DRQD-8-... is to be statically loaded with a radial force $F_y = 60$ N, which is at a distance of $Z = 5$ mm from the housing, and an

axial force $F_{x, push} = 30$ N, which is at a distance of $V = 12$ mm from the shaft (→ diagram of flanged shaft on right).



Question:

Is it permissible to statically load a semi-rotary drive DRQD-8-... with these combined forces?

Answer:

Graph 1 (→ 13) indicates that the maximum permissible radial force is $F_{y, max. (stat.) (5)} = 193$ N for a distance

$Z = 5$ mm. Graph 3 (→ 13) indicates that the maximum axial force is

$F_{x, push max. (stat.) (12)} = 169$ N for a distance $V = 12$ mm.

The following equation applies to combined loads:

$$\frac{F_y(z)}{F_{y, max. (z)}} + \frac{F_{x, push}(v)}{F_{x, push, max. (v)}} + \frac{F_{x, pull}(v)}{F_{x, pull, max. (v)}} \leq 1$$

The following values are assumed:

$F_y(5) = 60$ N
 $F_{x, push (stat.) (12)} = 30$ N
 $F_{y, max. (stat.) (5)} = 193$ N
 $F_{x, max. (stat.) (12)} = 169$ N

With values inserted:

$$\frac{60 \text{ N}}{193 \text{ N}} + \frac{30 \text{ N}}{169 \text{ N}} \leq 1$$

$$0.311 + 0.178 \leq 1$$

$$0.489 \leq 1$$

Thus the drive may be statically loaded with the forces indicated above.

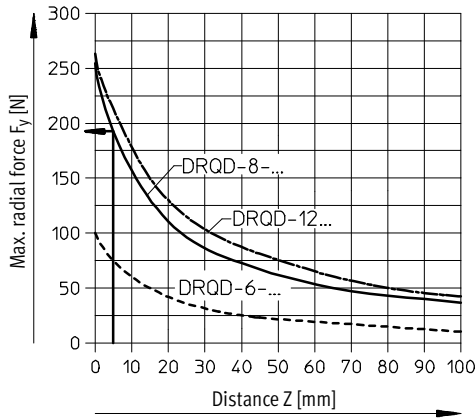
Semi-rotary drives DRQD-6 ... 12, twin-pistons

Technical data

Maximum static radial force

Graph 1

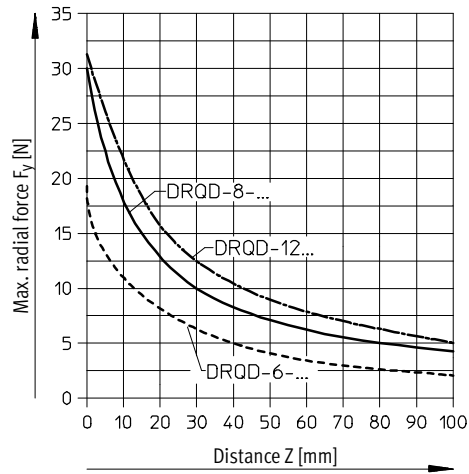
$$F_{y, \text{max. (stat.)}} = f(z)$$



Maximum dynamic radial force

Graph 2

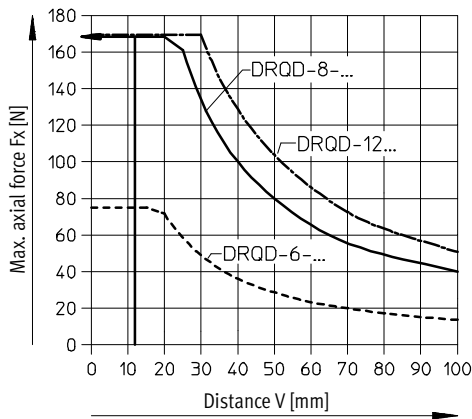
$$F_{y, \text{max. (dyn.)}} = f(z)$$



Maximum static pull and push axial forces

Graph 3

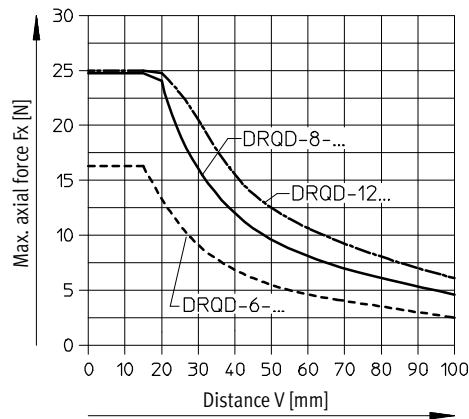
$$F_{x, \text{max. (stat.)}} = f(v)$$



Maximum dynamic pull and push axial forces

Graph 4

$$F_{x, \text{max. (dyn.)}} = f(v)$$



- 7 - Type discontinued
Available up until 2016

Semi-rotary drives DRQD-6 ... 12, twin-pistons

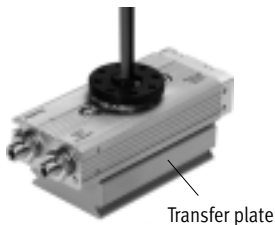
Technical data

Energy through-feed

The energy through-feed consists of DUO tubing (two lengths of tubing are fused together into a pair), whereby each tube has an O.D. of 3 mm. Compressed air is supplied via the push-in

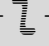
fittings in the transfer plate. Only Quick-Star push-in fittings may be used to connect compressed air tubing to consuming devices (e.g. grippers).

DRQD-...-SD...



- For piston \varnothing 8 ... 12
- Swivel angles of up to 180° are possible
- 1 DUO tube

Technical data		
Piston \varnothing		8 12
Number of spiral tubes		1 DUO tube
Standard nominal flow rate per tube	[l/min]	min. 70
Theoretical air consumption per tube at 6 bar	[cm ³]	5.3
Operating pressure as a function of ambient temperature	[bar]	0 ... 10 (at -10 ... +30 °C) 0 ... 9 (at +30 ... +40 °C) 0 ... 7.8 (at +40 ... +60 °)
Push-in fittings for connection to consuming device		QS...-3 for tube O.D. of 3 mm

-  - Type discontinued
Available up until 2016

Semi-rotary drives DRQD-6 ... 12, twin-pistons

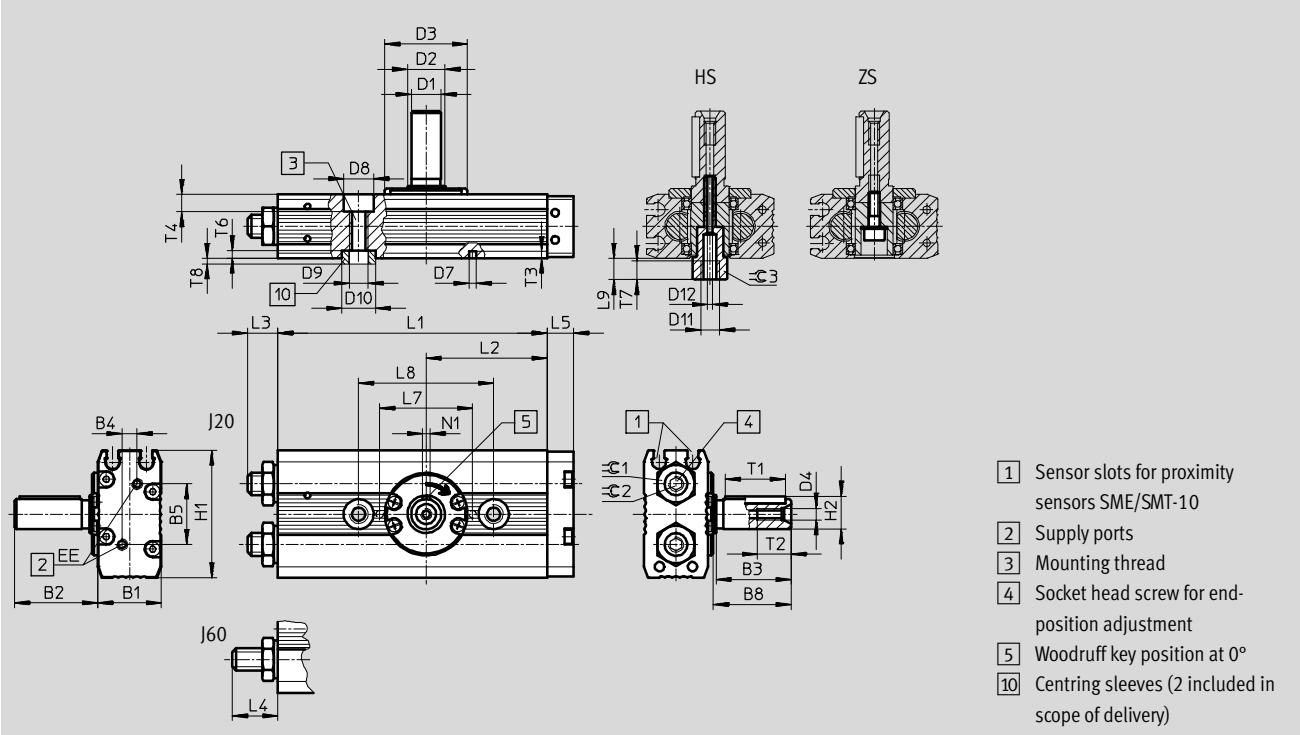
Technical data

FESTO

Dimensions

Download CAD data → www.festo.com

ZW – Spigot shaft



∅	Swivel angle	B1	B2	B3	B4	B5	B8	D1	D2	D3 ¹⁾	D4	D7	D8	D9	D10	D11	D12	EE	H1	H2
[mm]	[°]							∅ g7	∅ g6	∅ f7		∅ H8	∅ H8		∅ H7					
6	90	15.4	18.2	16	2	13.6	16.7	6	8	20	M2.5	2	6	M4	7	M5	1.3	M3	31	6.8
	180																			
8	90	17	22.2	20	4	16.2	20.7	8	10	22	M3	-	8	M5	9	M5	1.3	M3	34	8.8
	180																			
12	90	21	22.2	20	6	18.2	20.7	8	10	22	M3	-	8	M5	9	M5	1.3	M3	41	8.8
	180																			

∅	Swivel angle	L1	L2	L3	L4	L5	L7	L8	L9	N1	T1	T2	T3	T4	T6	T7	T8	≙C1	≙C2	≙C3
[mm]	[°]			max.	max.		±0.03	±0.03		P9										
6	90	46.7	20.2	7.1	11.1	7.5	20	30	6.2	2	12	7	1.8	3.4	1.6	5	1.4	8	2.5	8
	180	61.8	27.75																	
8	90	54.2	23.45	8.1	12.1	7	-	36	5.7	2	16	9	-	4.6	2	5	2	10	3	8
	180	71.8	32.25																	
12	90	59.2	25.95	9.1	13.1	8	-	36	5.7	2	16	9	-	4.6	2	5	2	13	4	8
	180	76.8	34.75																	

1) Centring possible with D3

- 1 - Type discontinued
Available up until 2016

Semi-rotary drives DRQD-6 ... 12, twin-pistons

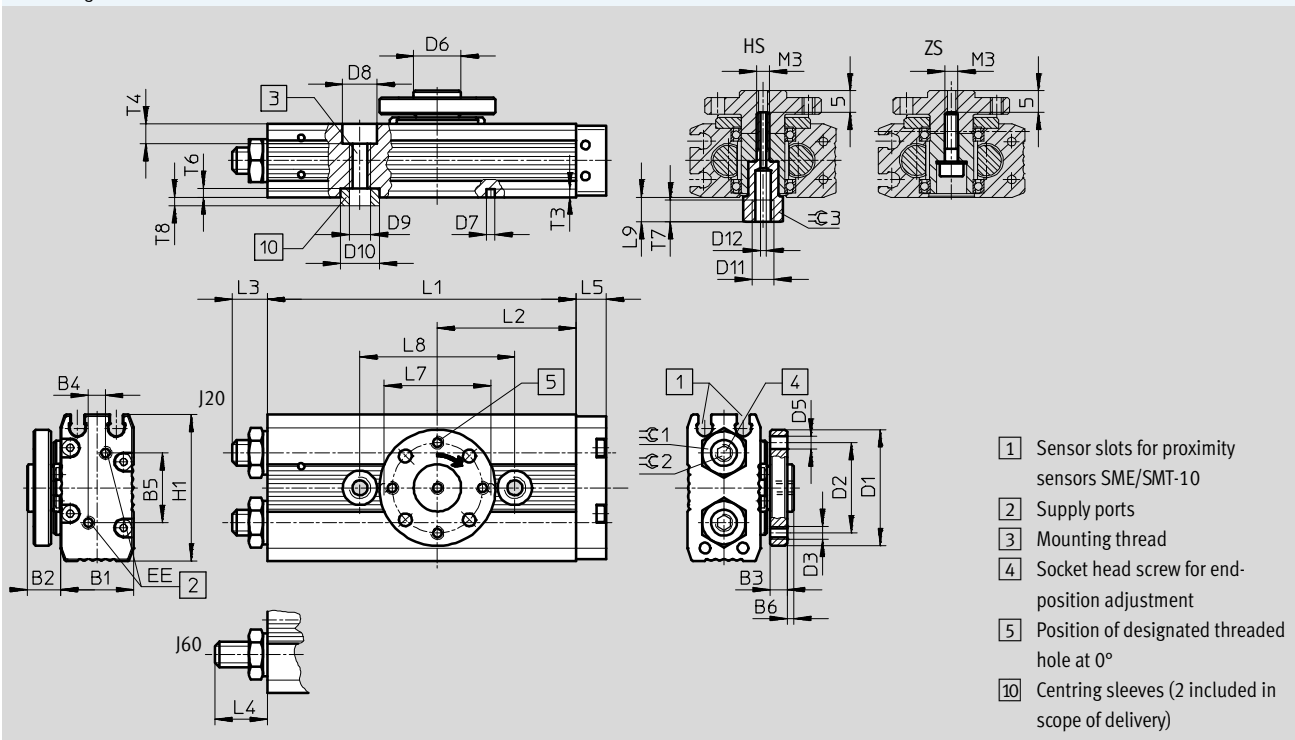
Technical data

FESTO

Dimensions

Download CAD data → www.festo.com

FW – Flanged shaft



∅	Swivel angle [°]	B1	B2	B3	B4	B5	B6	D1	D2	D3	D5	D6	D7	D8	D9	D10	D11	D12
[mm]								∅	∅		∅	∅	∅	∅	∅	∅	∅	∅
6	90	15.4	7.7	4	2	13.6	1.5	23	16	M3	3	8	2	6	M4	7	M5	1.3
	180																	
8	90	17	7.7	4	4	16.2	1.5	27	21	M3	3	11	-	8	M5	9	M5	1.3
	180																	
12	90	21	7.7	4	6	18.2	1.5	27	21	M3	3	11	-	8	M5	9	M5	1.3
	180																	

∅	Swivel angle [°]	EE	H1	L1	L2	L3	L4	L5	L7	L8	L9	T3	T4	T6	T7	T8	≙C1	≙C2	≙C3
[mm]						max.	max.		±0.03	±0.03									
6	90	M3	31	46.7	20.20	7.1	11.1	7.5	20	30	6.2	1.8	3.4	1.6	5	1.4	8	2.5	8
	61.8			27.75															
8	90	M3	34	54.2	23.45	8.1	12.1	7	-	36	5.7	-	4.6	2	5	2	10	3	8
	71.8			32.25															
12	90	M3	41	59.2	25.95	9.1	13.1	8	-	36	5.7	-	4.6	2	5	2	13	4	8
	76.8			34.75															

- Type discontinued
Available up until 2016

FESTO

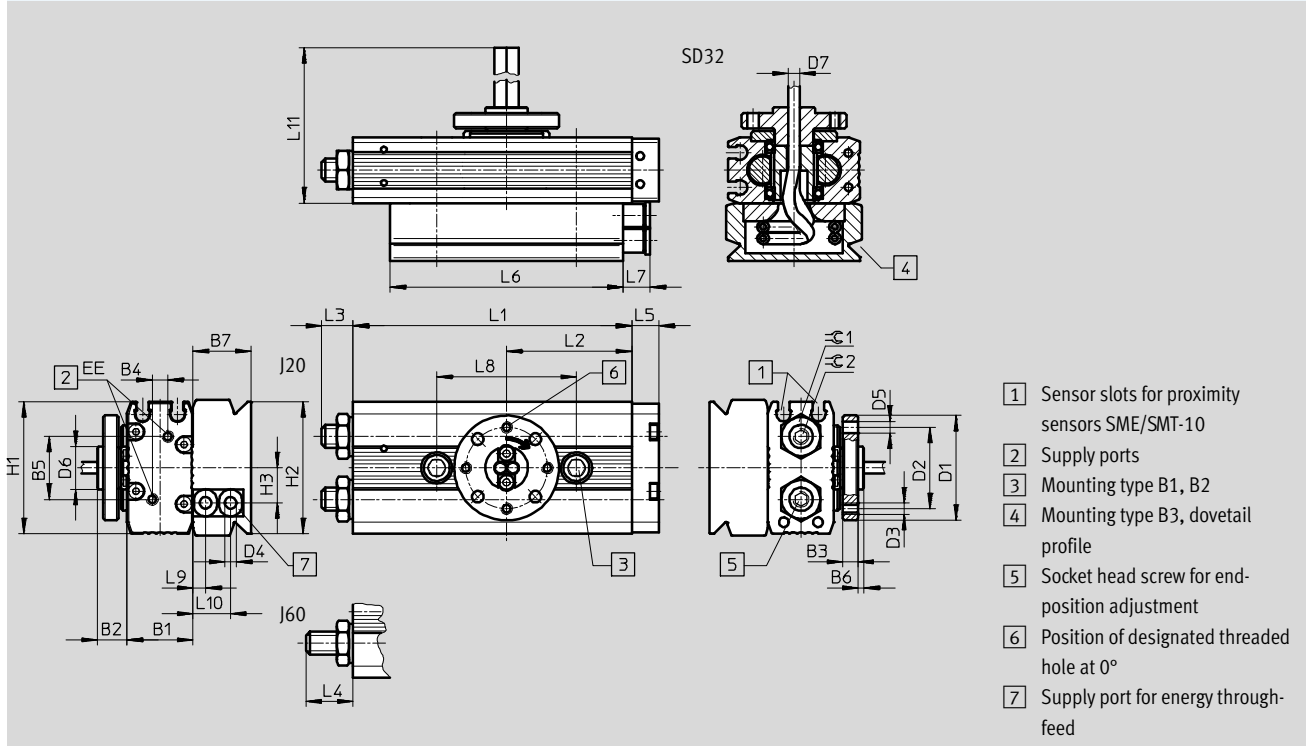
Semi-rotary drives DRQD-6 ... 12, twin-pistons

Technical data

Dimensions

Download CAD data → www.festo.com

FW-SD32 – Energy through-feed



∅	Swivel angle	B1	B2	B3	B4	B5	B6	B7	D1	D2	D3	D4	D5	D6	D7	EE
[mm]	[°]								∅	∅	∅	∅	∅	∅	∅	
8	90	17	7.7	4	4	16.2	1.5	15	27	21	M3	3	3	11	3	M3
	180															M3
12	90	21	7.7	4	6	18.2	1.5	15	27	21	M3	3	3	11	3	M3
	180															M3

∅	Swivel angle	H1	H2	H3	L1	L2	L3	L4	L5	L6	L7	L8	L9	L10	L11	⌀C1	⌀C2
[mm]	[°]						max.	max.			±0.03						
8	90	34	35	9	54.2	23.45	8.1	12.1	7	60	7	36	3.2	9.7	292	10	3
	180				71.8	32.25											
12	90	41	35	9	59.2	25.95	9.1	13.1	8	60	7	36	3.2	9.7	292	13	4
	180				76.8	34.75											

- 7 - Type discontinued
Available up until 2016

Semi-rotary drives DRQD-6 ... 12, twin-pistons

Technical data

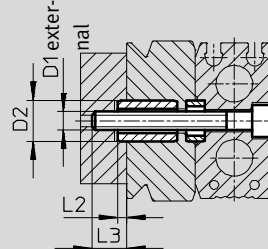
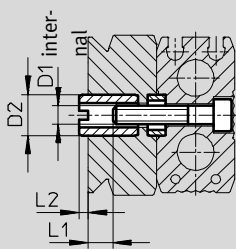
FESTO

Dimensions – Mounting type

Download CAD data → www.festo.com

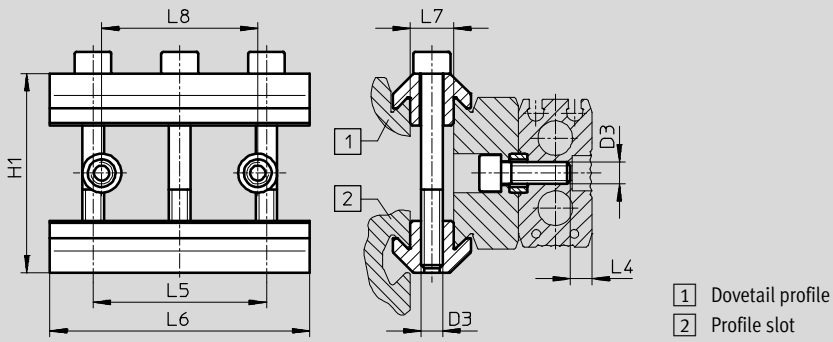
B1 – Counter screws in centring sleeves

B2 – Through screws in attachment



For \varnothing [mm]	Swivel angle [°]	D1	D2 \varnothing h7	L1	L2	L3
8	90	M4	9	4.9	2	8.2
	180					
12	90			5.9		9.2
	180					

B3 – Clamping via profile



For \varnothing [mm]	Swivel angle [°]	D3	H1	L4	L5	L6	L7 +0.1	L8 ±0.03
8	90	M5	46	5	40	60	10	36
	180							
12	90			9				
	180							

- 2 - Type discontinued
Available up until 2016

FESTO

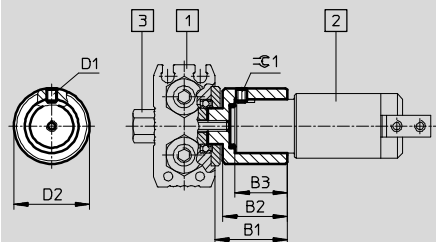
Semi-rotary drives DRQD-6 ... 12, twin-pistons

Technical data

Dimensions – Adapter for gripper

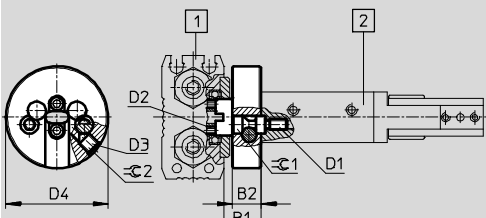
Download CAD data → www.festo.com

A08/A12

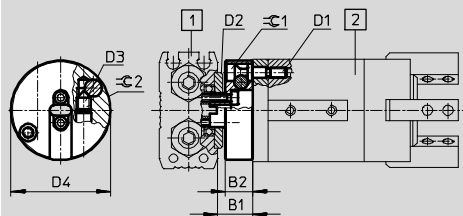


For adapter	1 Drive	2 Grippers	3 Type of screw	B1	B2	B3 ±0.03	D1	D2 ∅	∅C1
A08	DRQD-6-... DRQD-8-... DRQD-12-...	HGWM-08-...-G8 HGPM-08-...-G8	HS	15.2	13	9.6	M3	16	1.5
A12	DRQD-6-... DRQD-8-... DRQD-12-...	HGWM-12-...-G8 HGPM-12-...-G8	HS	20.2	18	14.6	M3	21	1.5

AS1



AS2



For adapter	1 Drive	2 Grippers	B1	B2	D1	D2	D3	D4 ∅	∅C1	∅C2
AS1	DRQD-8-... DRQD-12-...	DHPS-06-... DHRS-10-... DHWS-10-...	10.2	8	M3	M2	M4	28	2.5	2
AS2	DRQD-8-... DRQD-12-...	DHDS-16-...	10.2	8	M3	M2	M4	29	2.5	2

- 7 - Type discontinued
Available up until 2016

FESTO

Semi-rotary drives DRQD-6 ... 12, twin-pistons

Ordering data – Modular products

Ordering table						
Size	6	8	12	Condi- tions	Code	Enter code
M Module No.	187431	187432	187433			
Function	Semi-rotary drive with twin pistons				DRQD	DRQD
Piston Ø [mm]	6	8	12		-...	
Swivel angle	90°				-90	
	180°				-180	
End-position adjustment	Adjusting range +6°/-20°				-J20	
	Adjusting range +6°/-60°				-J60	
Position sensing	For proximity sensing				-A	-A
Output shaft/adapter	Spigot shaft			1	-ZW	
	Flanged shaft			2	-FW	
	Adapter for HGWM-08		Adapter for HGPM-08/HGWM-08	3	-A08	
	Adapter for HGWM-12		Adapter for HGPM-12/HGWM-12	3	-A12	
	-		Adapter for DHWS/DHRS-10-A, DHPS-6-A	4	-AS1	
	-		Adapter for DHDS-16-A	4	-AS2	

- 1 ZW** Not with energy through-feed SD32
Only with screw type ZS, HS
- 2 FW** Required for energy through-feed SD32
Only with screw type ZS, HS

- 3 A08, A12** Not with energy through-feed SD32
Only with screw type HS
- 4 AS1, AS2** Required for energy through-feed SD32
Not with screw type ZS, HS

Transfer order code

DRQD - - - - **A** -

- 2 - Type discontinued
Available up until 2016

Semi-rotary drives DRQD-6 ... 12, twin-pistons

FESTO

Ordering data – Modular products

Ordering table						
Size	6	8	12	Condi- tions	Code	Enter code
0 Energy through-feed	–	2x tubing O.D. 3 mm		5	-SD32	
Type of screw	Socket head screw				-ZS	
	Hollow bolt				-HS	
Type of mounting	–	Mounting type 1		6	-B1	
	–	Mounting type 2		6	-B2	
	–	Mounting type 3		6	-B3	
Alternative language user docu- mentation (standard is German)	English				-E	
	French				-F	
	Spanish				-S	
	Italian				-I	
	Swedish				-V	
	Express waiver – no user manual to be included (already available)					-B
EU certification	II 2GD				-EX4	

5 SD32 Only with mounting type B1, B2, B3

6 B1, B2, B3 Only with energy through-feed SD32
Not with certification EX4

Transfer order code

- - - - -

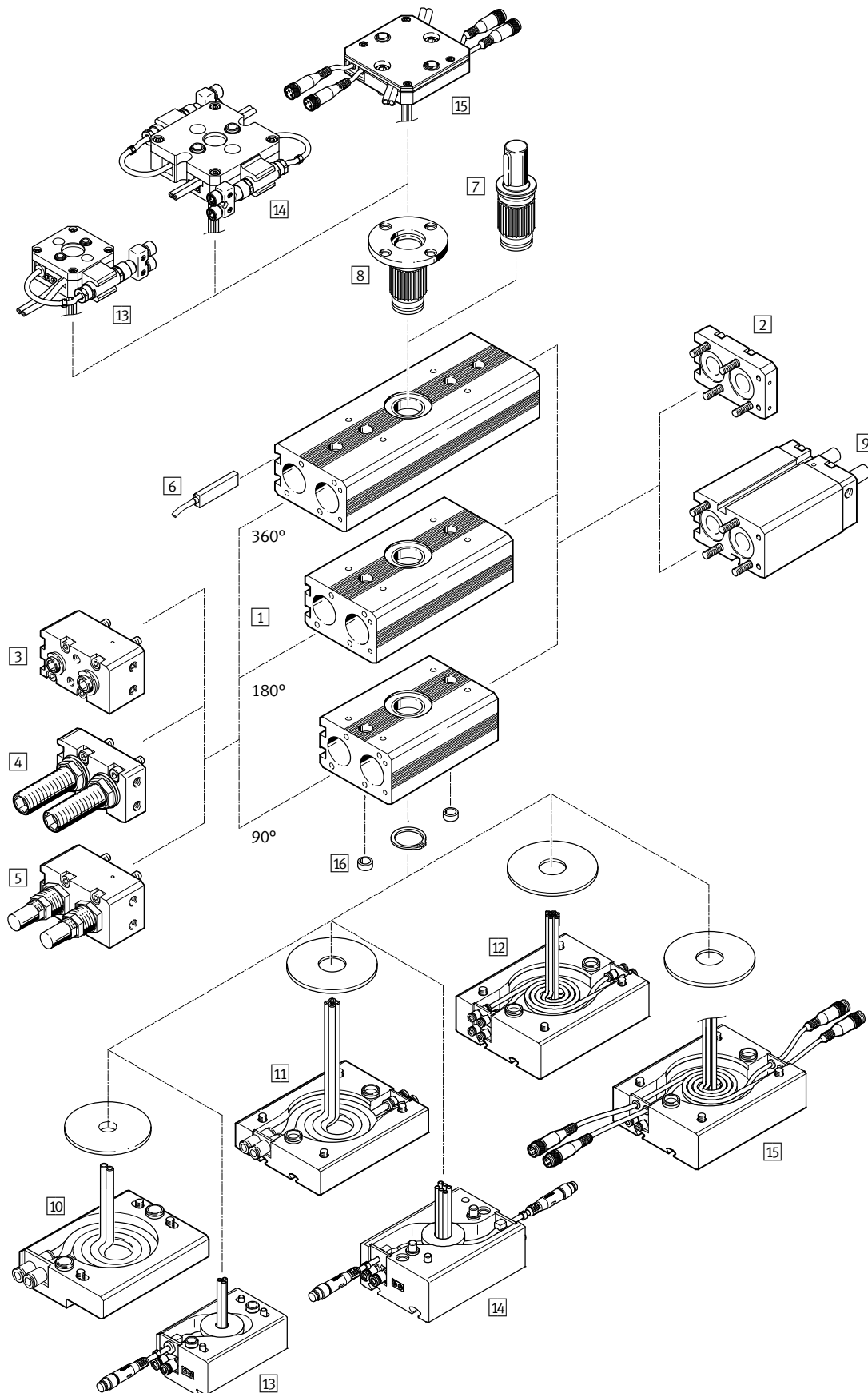
- 7 - Type discontinued
Available up until 2016

Semi-rotary drives DRQD-B-16 ... 32, DRQD-40 ... 50, twin-pistons

Peripherals overview

FESTO

Piston \varnothing 16 ... 50



- 2 - Type discontinued
Available up until 2016

Semi-rotary drives DRQD-B-16 ... 32, DRQD-40 ... 50, twin-pistons

FESTO

Peripherals overview

Variants, mounting attachments and accessories								→ Page/Internet	
	Description	Piston Ø							
		16	20	25	32	40	50		
1	Centre section	Centre section for 90°, 180° or 360° swivel angle	■	■	■	■	■	■	60
2	End cap AL, AR	With integrated compressed air directional function	■	■	■	■	■	■	
3	Connector cap PPVJ	Flexible end position cushioning with adjustable end positions (-20° ... +6°)	■	■	■	■	■	■	
4	Connector cap P1J	Adjustable cushioning elements with adjustable end positions	■	■	■	■	-	-	
5	Connector cap YSRJ	Adjustable shock absorbers with adjustable end positions (-20° ... +6°)	■	■	■	■	■	■	
6	Position sensing A	Contactless via proximity sensors SME-/SMT-8	■	■	■	■	■	■	65
7	Spigot shaft ZW	With woodruff key	■	■	■	■	■	■	60
8	Flanged shaft FW	Hollow, for energy through-feed	■	■	■	■	■	■	
9	Intermediate position Z1	Mid-position at centre of nominal angles of rotation of 90° and 180° (±10°)	■	■	■	■	■	■	35
10	Energy through-feed SD32, SD42	2 tubes with O.D. 3 or 4 mm	■	■	■	■	-	-	36
	Energy through-feed SD62	2 tubes with O.D. 6 mm	-	-	-	-	■	■	
11	Energy through-feed SD64	4 tubes with O.D. 6 mm	-	-	-	-	■	■	
12	Energy through-feed SD48	8 tubes with O.D. 4 mm	-	-	-	-	■	■	
13	Energy through-feed E422	2 tubes with O.D. 4 mm and 1 4-pin cable to 2 3-pin cables	■	■	-	-	-	-	
14	Energy through-feed E444	4 tubes with O.D. 4 mm and 2 4-pin cables to 4 3-pin cables	-	-	■	■	-	-	
15	Energy through-feed E644	4 tubes with O.D. 6 mm and 4 3-pin cables	-	-	-	-	■	■	
16	Centring sleeve ZBH	For centring (2 pieces included in scope of delivery for DRQD)	■	■	■	■	■	■	64

- 1 - Type discontinued
Available up until 2016

Semi-rotary drives DRQD-B-16 ... 32, DRQD-40 ... 50, twin-pistons

FESTO

Type codes

		DRQD	-	B	-	32	-	90	-	YSRJ	-	A	-	AR	-	FW	
Type																	
Double-acting																	
DRQD	Semi-rotary drive																
Product design																	
B	Function-optimized																
Piston Ø [mm]																	
Swivel angle [°]																	
Type of cushioning																	
PPVJ	Adjustable end-position cushioning																
P1J	Adjustable flexible cushioning elements																
YSRJ	Adjustable shock absorbers																
Position sensing																	
A	For proximity sensing																
Pneumatic connection																	
AL	Supply port, left																
AR	Supply port, right																
Output shaft																	
ZW	Spigot shaft																
FW	Flanged shaft																

- 2 - Type discontinued
Available up until 2016

Semi-rotary drives DRQD-B-16 ... 32, DRQD-40 ... 50, twin-pistons

FESTO

Type codes

			SD42	B	
Intermediate position					
Z1	1 intermediate position (mid-position)				
Energy through-feed					
SD32	2 tubes with O.D. 3 mm				
SD42	2 tubes with O.D. 4 mm				
SD48	8 tubes with O.D. 4 mm				
SD62	2 tubes with O.D. 6 mm				
SD64	4 tubes with O.D. 6 mm				
E422	2 tubes with O.D. 4 mm and 1 4-pin cable to 2 3-pin cables				
E444	4 tubes with O.D. 4 mm and 2 4-pin cables to 4 3-pin cables				
E644	4 tubes with O.D. 6 mm and 4 3-pin cables				
User's manual					
	German (standard)				
E	English				
F	French				
S	Spanish				
I	Italian				
V	Swedish				
B	Express waiver – no user manual to be included (already available)				
EU certification					
EX4	II 2GD				

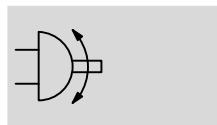
- 7 - Type discontinued
Available up until 2016

Semi-rotary drives DRQD-B-16 ... 32, DRQD-40 ... 50, twin-pistons

Technical data

FESTO

Function



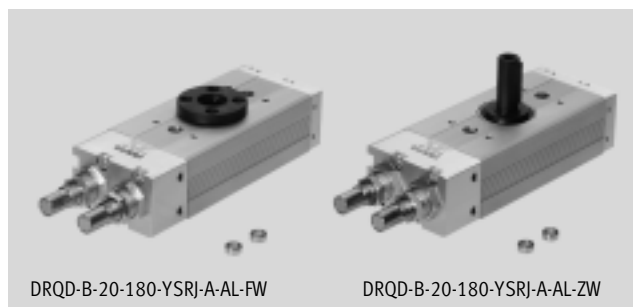
⊘ Diameter
16 ... 50 mm

≡ Force
1.6 ... 50 Nm

www.festo.com

Variants

- 90°, 180° and 360° or X swivel angle
- Spigot or flanged shaft
- Adjustable end-position cushioning or shock absorbers
- Position sensing
- Intermediate position
- Energy through-feed
- Different types of mounting



DRQD-B-20-180-YSRJ-A-AL-FW

DRQD-B-20-180-YSRJ-A-AL-ZW

General technical data		16	20	25	32	40	50						
Piston Ø		16	20	25	32	40	50						
Pneumatic connection		M5			G1/8		G1/4						
	SD32	QS...-3 for tubing O.D. Ø 3 mm ¹⁾				-	-						
	SD42/SD48	QS...-4 for tubing O.D. Ø 4 mm ¹⁾				-	-						
	E422	QS...-4 for tubing O.D. 4 mm				-	-						
	E444	-	QS...-4 for tubing O.D. 4 mm			-	-						
	SD62/SD64/ E644	-				QS...-6 for tubing O.D. 6 mm							
Constructional design		Semi-rotary drive with twin pistons based on the rack and pinion principle											
Cushioning	PPVJ	Adjustable, pneumatic											
	P1J	Adjustable, flexible cushioning elements				-							
	YSRJ	Adjustable, hydraulic shock absorbers											
Position sensing		For proximity sensing											
Type of mounting		Via through-hole											
		Via female thread											
Assembly position		Any											
Adjustable end-position range per end position	[°]	PPVJ	-20 ... +6										
		P1J	-270 ... +6	-320 ... +6	-280 ... +6	-210 ... +6	-						
		YSRJ	-20 ... +6										
Max. permissible swivelling frequency at 6 bar (for completed cycle of motion)	[Hz]	PPVJ	90°	180°	360°	P1J	90°	180°	360°	YSRJ	90°	180°	360°
			4	3	2	1.2	1.2	1.2	3.6	2.5	1.5	1.8	1
			3	2.2	1.3	0.8	0.9	0.9	2.5	1.9	1.2	1.5	1.2
			1.5	1.2	0.8	0.5	0.5	0.5	1.5	1.2	0.8	0.8	0.8
			3.6	3	2.5	2.2	-	-	1.5	1.2	-	-	-
			2.5	2.2	1.9	1.6	-	-	2.5	1.9	-	-	-
			1.5	1.2	1	0.8	-	-	1.5	1.2	-	-	-
			2	2	1.5	1.2	1	0.9	2	1.5	1	1	0.9
			1.8	1.8	1.5	1.2	1	0.8	1.8	1.5	1	1	0.8
			1	1	0.9	0.8	0.7	0.6	1	0.9	0.7	0.7	0.6
		SD.../E...	A reduction of max. 5% of the values indicated above										
			Note: At temperatures < 0 °C, a max. frequency of 1 Hz applies in the case of variant YSRJ										

 Type discontinued
Available up until 2016

Semi-rotary drives DRQD-B-16 ... 32, DRQD-40 ... 50, twin-pistons

FESTO

Technical data

General technical data									
Piston Ø				16	20	25	32	40	50
Minimum cycle times [s]	PPVJ	90°		0.20	0.22	0.18	0.21	0.20	0.18
			in conjunction with Z1	0.26	0.41	0.20	0.26	0.21	0.35
	(from the end position to the intermediate position)	YSRJ	90°	0.20	0.22	0.17	0.20	0.47	0.35
			180°	0.23	0.31	0.22	0.23	1.10	0.99
Repetition accuracy (approached from both ends) [°]	Z1		≤ 0.05						
			≤ 0.15				≤ 0.25	≤ 0.20	≤ 0.30

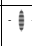
Operating and environmental conditions									
Piston Ø				16	20	25	32	40	50
Operating medium				Compressed air in accordance with ISO 8573-1:2010 [7:4:4]					
Note on operating/pilot medium				Operation with lubricated medium possible (in which case lubricated operation will always be required)					
Operating pressure [bar]	PPVJ	1 ... 10							
Operating pressure [bar]	P1J	3 ... 10							-
	YSRJ	2 ... 10							
	Z1	1 ... 10							
Ambient temperature [°C]	-10 ... +60								
Corrosion resistance class CRC ¹⁾				1					
ATEX				Specified types → www.festo.com					

1) Corrosion resistance class CRC 1 to Festo standard FN 940070

Low corrosion stress. For dry indoor applications or transport and storage protection. Also applies to parts behind covers, in the non-visible interior area, and parts which are covered in the application (e.g. drive trunnions).

ATEX ¹⁾									
Piston Ø				16	20	25	32	40	50
ATEX category for gas				II 2G					
Explosion ignition protection type for gas				c T4 X					
ATEX category for dust				II 2D					
Explosion ignition protection type for dust				c T120°C X				c 120°C X	
Explosion-proof temperature rating				-10°C ≤ Ta ≤ +60°C					
CE marking (see declaration of conformity)				To EU Explosion Protection Directive (ATEX)					

1) Make sure that the accessories are suited for ATEX application.

Forces and torques										
Piston Ø				16	20	25	32	40	50	
Theoretical torque at 6 bar [Nm]				1.6	3.1	6.1	12.5	25	50	
	Z1			1.7	3.6	6.2	13.5	32.2	78.6	
				 Note: If torque acts against the direction of rotation in the end position, a drive with a rating of twice the maximum theoretical torque should be selected.						
Max. permissible radial and axial forces				Graphs → 33						
Max. permissible mass moment of inertia [kgm ²]	PPVJ			5 x 10 ⁻⁴	10 x 10 ⁻⁴	20 x 10 ⁻⁴	40 x 10 ⁻⁴	200 x 10 ⁻⁴	500 x 10 ⁻⁴	
	P1J	Graphs → 30							-	
	YSRJ	Graphs → 31								
	PPVJ-Z1				5 x 10 ⁻⁴	10 x 10 ⁻⁴	20 x 10 ⁻⁴	40 x 10 ⁻⁴	200 x 10 ⁻⁴	500 x 10 ⁻⁴
	YSRJ-Z1				-	-	-	-	1000 x 10 ⁻⁴	2000 x 10 ⁻⁴
				The data applies to the variants ZW, FW, without grippers and unthrottled.						

- 1 - Type discontinued
Available up until 2016

Semi-rotary drives DRQD-B-16 ... 32, DRQD-40 ... 50, twin-pistons

FESTO

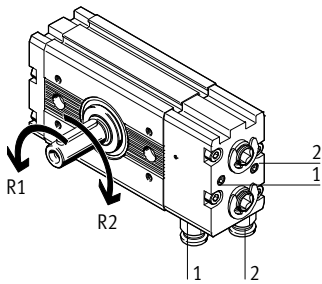
Technical data

Weights [g]								
Piston Ø		16	20	25	32	40	50	
Connection cap AL/AR	PPVJ	116	220	358	609	1170	2320	
	P1J	140	240	335	610	-		
	YSRJ	140	240	441	917	2170	4270	
Centre section/output shaft	90°	ZW	379	609	1026	1891	3330	6860
		FW	380	586	1018	1848	3960	7010
	180°	ZW	467	753	1267	2325	4340	8850
		FW	468	730	1259	2282	4570	9000
	360°	ZW	643	1039	1741	3199	6350	12890
		FW	644	1016	1733	3165	6580	13040
End cap		40	53	82	140	370	610	
Intermediate position	90°	Z1	235	315	550	805	2510	3960
	180°	Z1	235	315	550	805	2510	3960
Flanged shaft with energy through-feed	SD32	152		303		-		
	SD42	152		303		-		
	SD48	-				1220		
	SD62	-				900		
	SD64	-				930		
	E422	400		-				
	E444	-		800		-		
	E644	-				2700		

Direction of rotation of the drive shaft

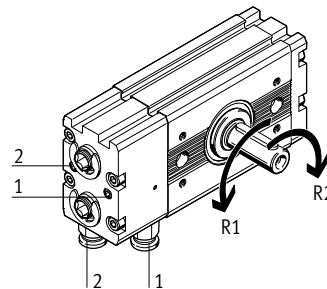
Connection cap on right (AR)

Pneumatic actuation of ports 1 or 2 produces a rotational movement in direction R1 or R2 respectively.



Connection cap on left (AL)

Pneumatic actuation of ports 1 or 2 produces a rotational movement in direction R1 or R2 respectively.



- 2 - Type discontinued
Available up until 2016

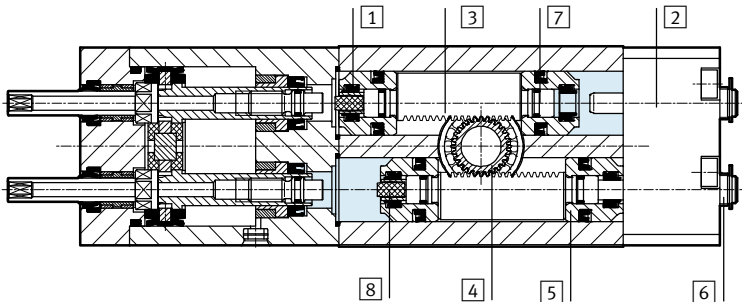
Semi-rotary drives DRQD-B-16 ... 32, DRQD-40 ... 50, twin-pistons

FESTO

Technical data

Materials

Sectional view



Piston Ø	16	20	25	32	40	50
Basic drive						
1	Cylinder barrel (centre section)	Anodised aluminium			Wrought aluminium alloy, anodised	
2	Connector cap	Anodised aluminium				
3	Gear rack	High-alloy stainless steel, hardened			High-alloy steel	
4	Pinion	Tempered steel				
5	Piston	Anodised aluminium				
6	Adjustable sleeve	Galvanised steel				
		P1J	Stainless steel			
7	Piston seal	Polyurethane				
-	Material note	Copper and PTFE-free RoHS-compliant				
Function end cap PPVJ						
-	Cushioning seal	Nitrile rubber/polyurethane			Polyurethane	
-	Buffer sleeve, regulating screw	Anodised aluminium				
Function end cap P1J						
-	Cap, housing	Aluminium			-	
-	Seals	Nitrile rubber/thermoplastic polyurethane elastomer				
Function end cap YSRJ						
-	Buffer	Delrin				
-	Rod wiper seal	Nitrile rubber/polyurethane				
Energy through-feed SD.../E...						
-	Transfer plate/sliding disc	Anodised aluminium				
-	DUO spiral tubing	Polyurethane				
Z1 intermediate position module						
-	Piston	Stainless steel; nitrile rubber				
-	Piston rod, nut	Stainless steel				
-	Bearings	POM				
-	Rod wiper seal	Polyurethane				

- 7 - Type discontinued
Available up until 2016

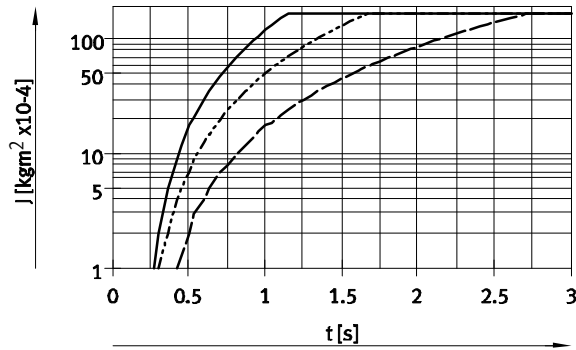
Semi-rotary drives DRQD-B-16 ... 32, DRQD-40 ... 50, twin-pistons

FESTO

Technical data

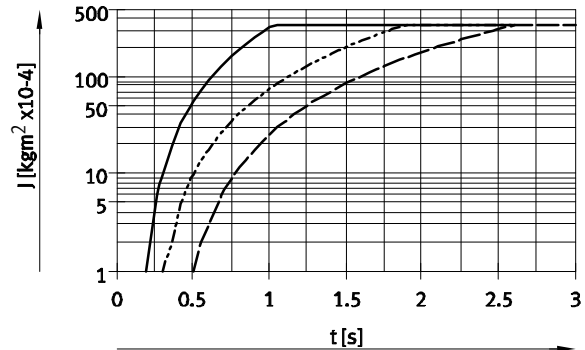
Maximum permitted mass moment of inertia J on the output shaft as a factor of swivel time t

DRQD-B-16-...-P1J



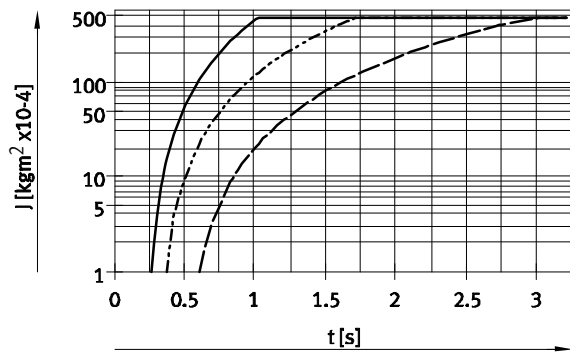
Max. permitted mass moment = $175 \text{ kgm}^2 \times 10^{-4}$

DRQD-B-20-...-P1J



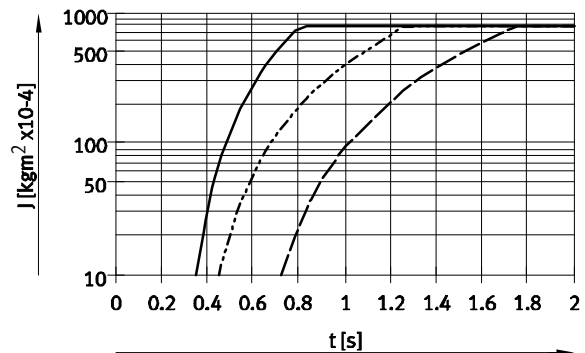
Max. permitted mass moment = $350 \text{ kgm}^2 \times 10^{-4}$

DRQD-B-25-...-P1J



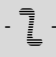
Max. permitted mass moment = $500 \text{ kgm}^2 \times 10^{-4}$

DRQD-B-32-...-P1J



Max. permitted mass moment = $800 \text{ kgm}^2 \times 10^{-4}$

— 90°
- - - 180°
- · - 360°

 Type discontinued
Available up until 2016

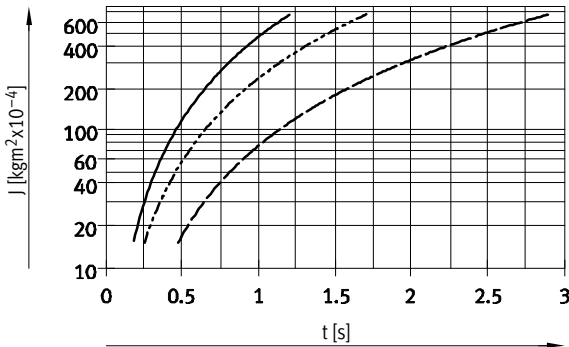
Semi-rotary drives DRQD-B-16 ... 32, DRQD-40 ... 50, twin-pistons

FESTO

Technical data

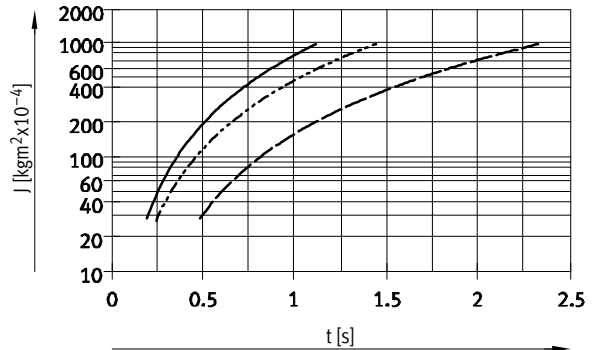
Maximum permitted mass moment of inertia J on the output shaft as a factor of swivel time t

DRQD-B-16-...-YSRJ



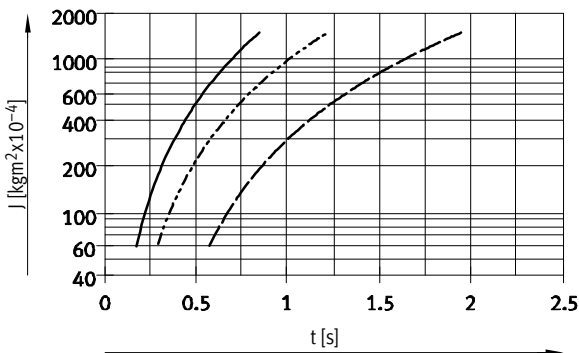
Max. permitted mass moment = $700 \text{ kgm}^2 \times 10^{-4}$

DRQD-B-20-...-YSRJ



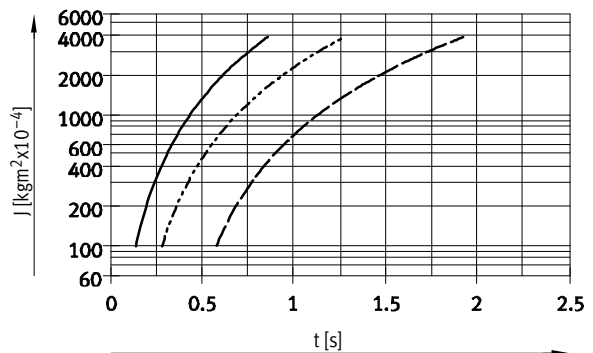
Max. permitted mass moment = $1000 \text{ kgm}^2 \times 10^{-4}$

DRQD-B-25-...-YSRJ



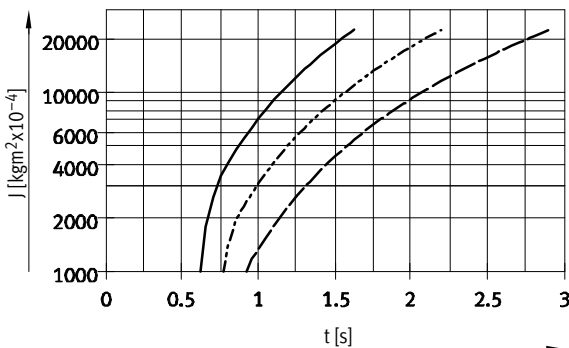
Max. permitted mass moment = $1500 \text{ kgm}^2 \times 10^{-4}$

DRQD-B-32-...-YSRJ



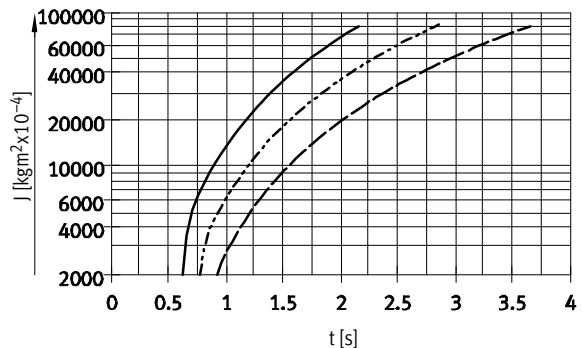
Max. permitted mass moment = $4000 \text{ kgm}^2 \times 10^{-4}$

DRQD-40-...-YSRJ



Max. permitted mass moment = $23000 \text{ kgm}^2 \times 10^{-4}$

DRQD-50-...-YSRJ



Max. permitted mass moment = $83000 \text{ kgm}^2 \times 10^{-4}$

- 90°
- - - 180°
- · - · 360°

- 1 - Type discontinued
Available up until 2016

Semi-rotary drives DRQD-B-16 ... 32, DRQD-40 ... 50, twin-pistons

Technical data

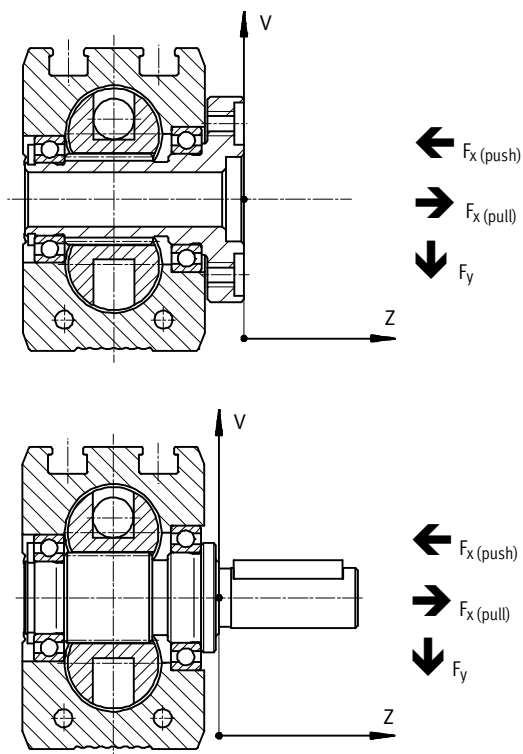
FESTO

Max. permissible radial and axial forces on the drive shaft

Combined load

A DRQD-B-16-...-FW is to be statically loaded with a radial force $F_y = 300\text{ N}$, which is at a distance of $Z = 15\text{ mm}$ from the flanged shaft, and an axial

force $F_{x, \text{push}} = 100\text{ N}$, which is at a distance of $V = 25\text{ mm}$ from the shaft (→ diagram of flanged shaft on right).



Question:

Is it permissible to statically load a DRQD-B-16-...-FW with these combined forces?

Answer:

According to graph 1 (→ 33), a distance of $Z = 15\text{ mm}$ results in a maximum permissible radial force

$F_{y, \text{max. (stat.)}}(15) = 400\text{ N}$.
According to graph 3 (→ 33), a distance of $V = 25\text{ mm}$ results in a maxi-

mum permissible axial force
 $F_{x, \text{push max. (stat.)}}(25) = 550\text{ N}$.

The following equation applies to combined loads:

$$\frac{F_y(z)}{F_{y, \text{max. (z)}}} + \frac{F_{x, \text{push}}(v)}{F_{x, \text{push, max. (v)}}} + \frac{F_{x, \text{pull}}(v)}{F_{x, \text{pull, max. (v)}}} \leq 1$$

The following values are assumed:

$F_y(15) = 300\text{ N}$
 $F_{x, \text{push (stat.)}}(25) = 100\text{ N}$
 $F_{y, \text{max. (stat.)}}(15) = 400\text{ N}$
 $F_{x, \text{max. (stat.)}}(25) = 550\text{ N}$

With values inserted:

$$\frac{300\text{ N}}{400\text{ N}} + \frac{100\text{ N}}{550\text{ N}} \leq 1$$

$$0.75 + 0.182 \leq 1$$

$$0.932 \leq 1$$

Thus the drive may be statically loaded with the forces indicated above.

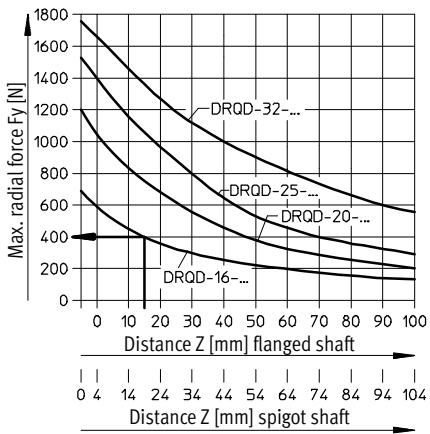
Semi-rotary drives DRQD-B-16 ... 32, DRQD-40 ... 50, twin-pistons

Technical data

Maximum static radial force

Graph 1

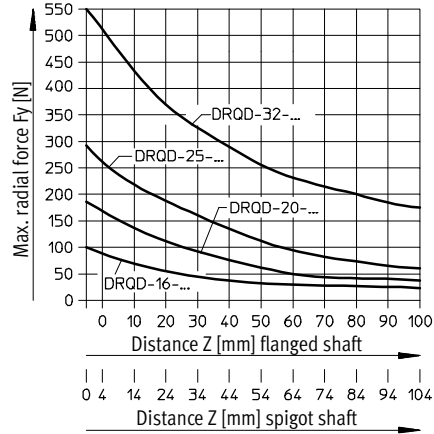
$$F_{Y, \text{max. (stat.)}} = f(z)$$



Maximum dynamic radial force

Graph 2

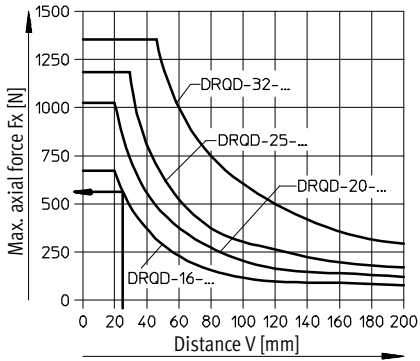
$$F_{Y, \text{max. (dyn.)}} = f(z)$$



Maximum static axial pushing force

Graph 3

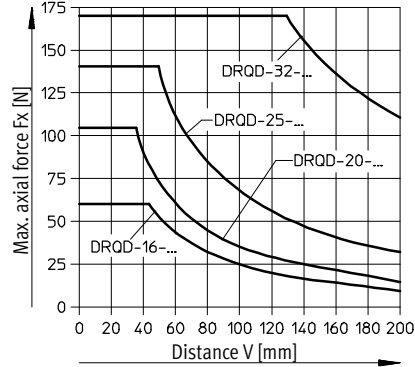
$$F_{X, \text{push max. (stat.)}} = f(v)$$



Maximum dynamic axial pushing force

Graph 4

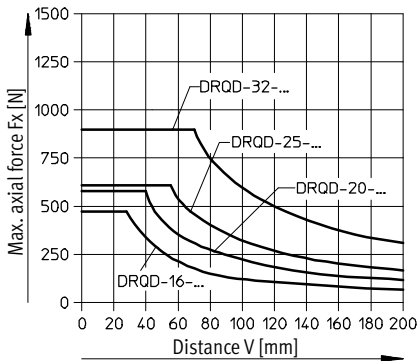
$$F_{X, \text{push max. (dyn.)}} = f(v)$$



Maximum static axial pulling force

Graph 5

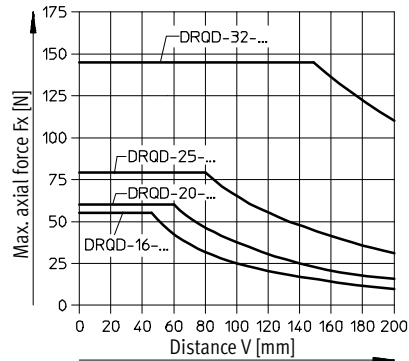
$$F_{X, \text{pull max. (stat.)}} = f(v)$$



Maximum dynamic axial pulling force

Graph 6

$$F_{X, \text{pull max. (dyn.)}} = f(v)$$



- 1 - Type discontinued
Available up until 2016

Semi-rotary drives DRQD-B-16 ... 32, DRQD-40 ... 50, twin-pistons

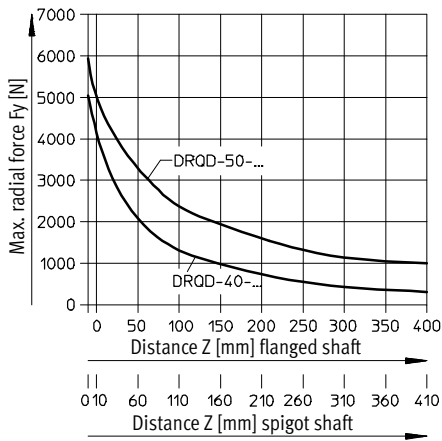
FESTO

Technical data

Maximum static radial force

Graph 1

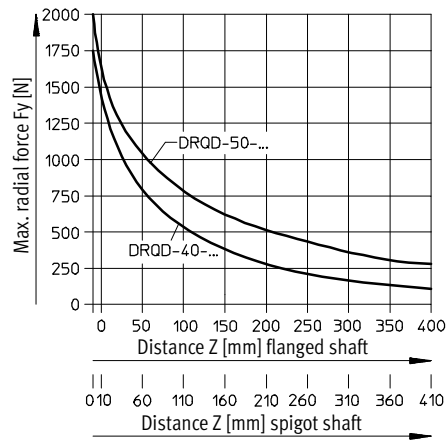
$$F_{y, \text{max. (stat.)}} = f(z)$$



Maximum dynamic radial force

Graph 2

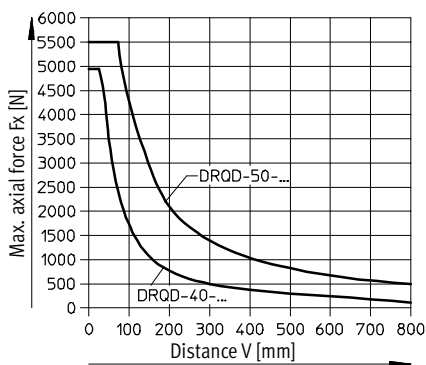
$$F_{y, \text{max. (dyn.)}} = f(z)$$



Maximum static axial pushing force

Graph 3

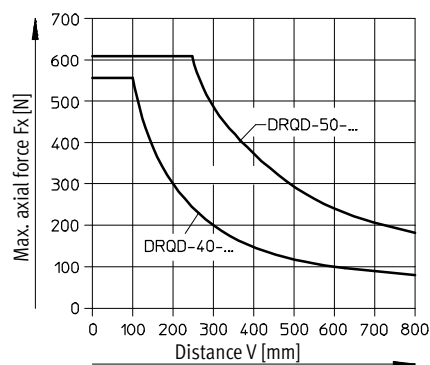
$$F_{x, \text{push max. (stat.)}} = f(v)$$



Maximum dynamic axial pushing force

Graph 4

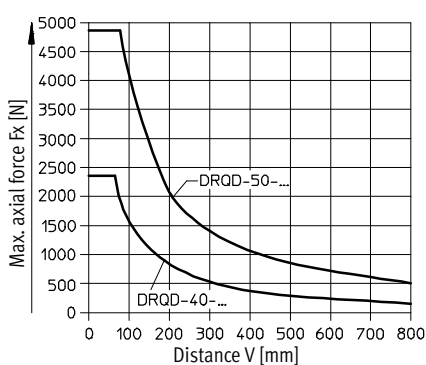
$$F_{x, \text{push max. (dyn.)}} = f(v)$$



Maximum static axial pulling force

Graph 5

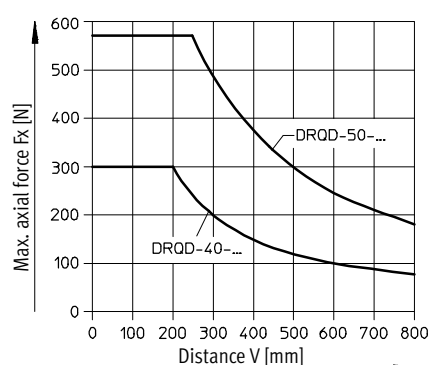
$$F_{x, \text{pull max. (stat.)}} = f(v)$$




Maximum dynamic axial pulling force

Graph 6

$$F_{x, \text{pull max. (dyn.)}} = f(v)$$



-  - Type discontinued
Available up until 2016

Semi-rotary drives DRQD-B-16 ... 32, DRQD-40 ... 50, twin-pistons

FESTO

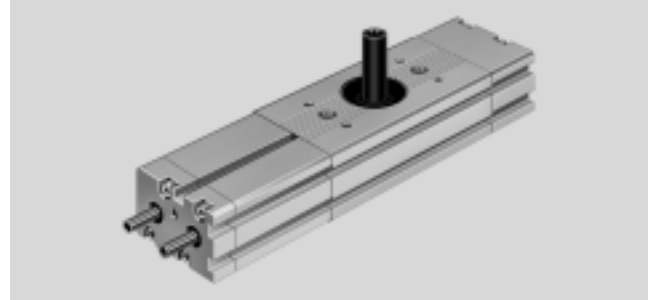
Technical data

Z1 intermediate position module

For \varnothing 16 ... 50

The intermediate position module is fitted in place of the end cap, and allows for adjustable, backlash-free positioning of the drive at 50% of its nominal rotation angle. The intermediate position module is available for nominal rotation angles of 90° and 180°.

The intermediate position module cannot be used in combination with cushioning type DRQD-...-P1J.



Function

A piston incorporating two screw fastened piston rods is pressurised and shifts the semi-rotary drive gear racks until both make full contact with the

piston rods in the mid-position module. The mid-position can be accurately adjusted within a range of $\pm 10^\circ$ with the adjusting screws in the piston

rods. Thanks to the hollow shaft design of the piston rod, adjustment can be performed under pressure. The through rods in the mid-position

module are guided by means of multiple bearings in the cover and in the adapter.

Actuation

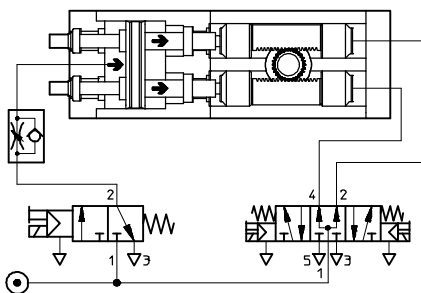
In order for the mid-position module to function, the DRQD basic actuator must be pressurised at both sides.

This can be accomplished with two different types of actuation:

Actuation type 1

- Mid-position module (supply air must be restricted) with a 3/2-way valve

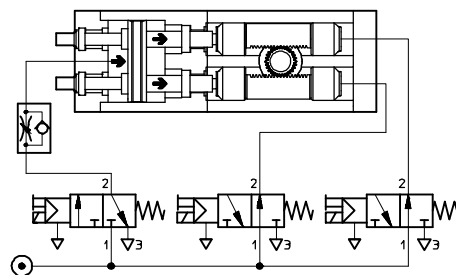
- DRQD basic drive with a 5/3-way valve, mid-position pressurised



Actuation type 2

- Mid-position module (supply air must be restricted) with a 3/2-way valve

- DRQD basic drive with two 3/2-way valves, spring return



- - Note

Even if the semi-rotary drives DRQD-B-16 to 32 have been equipped with shock absorbers (type YSRJ), the mid-position may not be loaded with

more than the max. permissible mass moment of inertia for the PPVJ variant! The reason for this is the cushioning: Whereas loads can be absorbed in the

end positions with the shock absorbers, the mid-position is only equipped with basic flexible cushioning. Additional information on the

permissible mass moment of inertia for the sizes 40 and 50 mm: **→ 27**

- 7 - Type discontinued
Available up until 2016

Semi-rotary drives DRQD-B-16 ... 32, DRQD-40 ... 50, twin-pistons



Technical data

Energy through-feed

DRQD-...-SD...

The energy through-feed consists of one to max. four DUO tubes (fused tubing pair), whereby each tube has an O.D. of 3 ... 6 mm. Compressed air is supplied via the push-in fittings in

the transfer plate. Only Quick-Star push-in fittings may be used to connect compressed air tubing to consuming devices (e.g. grippers).

DRQD-...-E...

The energy through-feed consists of one to max. two DUO tubes (fused tubing pair), whereby each tube has an O.D. of 4 ... 6 mm. Compressed air is supplied via the push-in fittings in the transfer plate. Only Quick-Star

push-in fittings may be used to connect compressed air tubing to consuming devices (e.g. grippers). In addition, up to four proximity sensors can be connected by means of this energy through-feed.

DRQD-...-SD...



Transfer plate

- For piston \varnothing 16 ... 50
- Swivel angles of up to 360° are possible
- 1 ... 4 DUO tubes

Technical data		16	20	25	32	40	50
Piston \varnothing							
Number of DUO tubes	SD32	1				–	
	SD42	1				–	
	SD48	–				4	
	SD62	–				1	
	SD64	–				2	
Standard nominal flow rate (per tube)	[l/min]						
	SD32	min. 70				–	
	SD42	min. 130				–	
	SD48	–				min. 130	
	SD62	–				min. 250	
Theoretical air consumption per line at 6 bar	[cm ³]						
	SD32	5.3				–	
	SD42	9.5				–	
	SD48	–				9.5	
	SD62	–				24.4	
Operating pressure as a function of ambient temperature	[bar]						
		0 ... 10 (at –10 ... +30 °C)					
		0 ... 9 (at –30 ... +40 °C)					
		0 ... 7 (at –40 ... +60 °)					
	Tube O.D. on flanged shaft drive side	[mm]					
SD32		3				–	
SD42		4				–	
SD48		–				4	
SD62		–				6	
Push-in fittings for connection to consuming device	[mm]						
	SD32	QS-...-3 for tube O.D. 3 mm				–	
	SD42	QS-...-4 for tube O.D. 4 mm				–	
	SD48	–				QS-...-4 for tube O.D. 4 mm	
	SD62	–				QS-...-6 for tube O.D. 6 mm	
SD64	–				QS-...-6 for tube O.D. 6 mm		

- 2 - Type discontinued
Available up until 2016

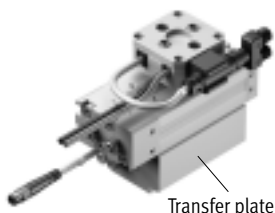
FESTO

Semi-rotary drives DRQD-B-16 ... 32, DRQD-40 ... 50, twin-pistons

Technical data

Energy through-feed

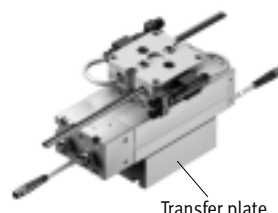
DRQD-...-E422



Transfer plate

- For piston \varnothing 16/20
- Swivel angles of up to 180° are possible
- 1 DUO tube with O.D. 4 mm
- 1 4-pin cable to 2 3-pin cables

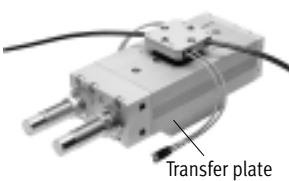
DRQD-...-E444



Transfer plate

- For piston \varnothing 25/32
- Swivel angles of up to 180° are possible
- 2 DUO tubes each with O.D. 4 mm
- 2 4-pin cables to 4 3-pin cables

DRQD-...-E644



Transfer plate

- For piston \varnothing 40/50
- Swivel angles of up to 180° are possible
- 2 DUO tubes each with O.D. 6 mm
- 4 3-pin cables

Technical data		16	20	25	32	40	50
Piston \varnothing		16	20	25	32	40	50
Number of DUO tubes	E422	1		-			
	E444	-		2		-	
	E644	-		-		2	
Standard nominal flow rate (per tube) [l/min]	E422	min. 130		-			
	E444	-		min. 130		-	
	E644	-		-		min. 250	
Theoretical air consumption per line at 6 bar [cm ³]	E422	9.5		-			
	E444	-		9.5		-	
	E644	-		-		24.4	
Operating pressure as a function of ambient temperature [bar]		0 ... 10 (at -10 ... +30 °C)					
		0 ... 9 (at +30 ... +40 °C)					
		0 ... 7 (at +40 ... +60 °)					
Tube O.D. on flanged shaft drive side [mm]	E422	4		-			
	E444	-		4		-	
	E644	-		-		6	
Push-in fittings for connection to consuming device [mm]	E422	QS-...-4 for tube O.D. 4 mm		-			
	E444	-		QS-...-4 for tube O.D. 4 mm		-	
	E644	-		-		QS-...-6 for tube O.D. 6 mm	

- 1 - Type discontinued
Available up until 2016

Semi-rotary drives DRQD-B-16 ... 32, twin-pistons

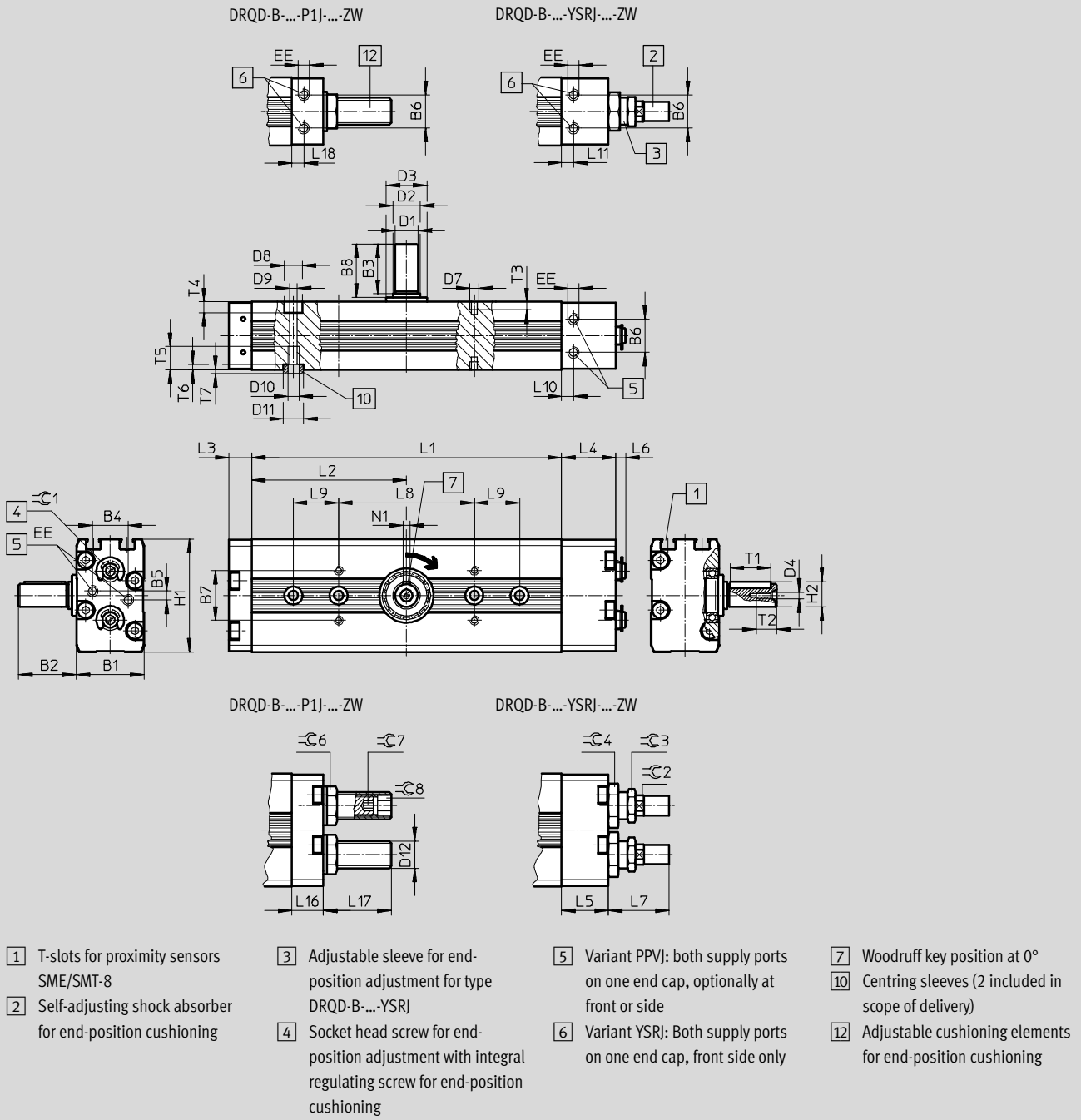
Technical data


FESTO

Dimensions

Download CAD data → www.festo.com

ZW – Spigot shaft



-  - Type discontinued
Available up until 2016

FESTO

Semi-rotary drives DRQD-B-16 ... 32, twin-pistons

Technical data

∅ [mm]	Swivel angle [°]	B1	B2	B3	B4	B5	B6	B7	B8	D1 ∅ g6	D2 ∅	D3 ∅	D4	D7	D8 ∅ H13	D9 ∅	D10	D11 ∅ H7	D12
16	90	30	25.5	23	17.8	4	14.8	22	23.5	10	12	18	M3	M4	8	4.2	M5	9	M12
	180																		
	360																		
20	90	36	32.5	30	21.8	4	19.8	26	30.5	12	15	24	M4	M4	8	4.2	M5	9	M14
	180																		
	360																		
25	90	42	42.5	40	24.8	4	24.8	30	40.5	16	20	30	M5	M5	10	5.3	M6	9	M16
	180																		
	360																		
32	90	51	52.5	50	29.8	2	29.8	36	50.5	20	25	35	M6	M5	10	5.3	M6	9	M22
	180																		
	360																		

∅ [mm]	Swivel angle [°]	EE	H1	H2	L1	L2	L3	L4	L5	L6		L7		L8 ±0.03	L9 ±0.03	L10	L11	L16
										min.	max.	min.	max.					
16	90	M5	50	11.2	71	35.5	10	24	20.8	1.7	5.7	23.4	28.2	60	-	7.6	5.3	14
	180				93	46.5									-			
	360				137	68.5									20			
20	90	M5	56	13.5	78.4	39.2	10	31.5	27	2.4	7	28.6	35.9	60	-	8	5	13.5
	180				104.8	52.4									-			
	360				157.6	78.8									20			
25	90	M5	67	18	91.2	45.6	11	36.5	33	2.6	8.9	42	50.2	60	-	11	5	15
	180				124	62									-			
	360				189.2	94.6									20			
32	90	G $\frac{1}{8}$	79	22.5	114.8	57.4	13	39	39	4.3	11.8	59.4	70.1	80	-	13.1	8	20
	180				155.6	77.8									20			
	360				237.4	118.7									20			

∅ [mm]	Swivel angle [°]	L17		L18	N1 P9	T1	T2	T3	T4	T5	T6	T7	≈C1	≈C2	≈C3	≈C4	≈C6	≈C7	≈C8
		min.	max.																
16	90	6.7	41	5.8	3	18.1	9	3.5	5	10	2	2	4	9	13	17	15	4	8
	180																		
	360																		
20	90	8.5	59.5	5	4	25.1	10	3.5	5	12	2	2	7	11	15	19	17	4	8
	180																		
	360																		
25	90	9	61.4	5	5	36.1	12.5	5	6	12	2	2	7	15	19	24	19	5	10
	180																		
	360																		
32	90	10	60	8	6	45.1	16	5	6	14	2	2	8	20	27	32	27	5	10
	180																		
	360																		

- 1 - Type discontinued
Available up until 2016

Semi-rotary drives DRQD-40 ... 50, twin-pistons

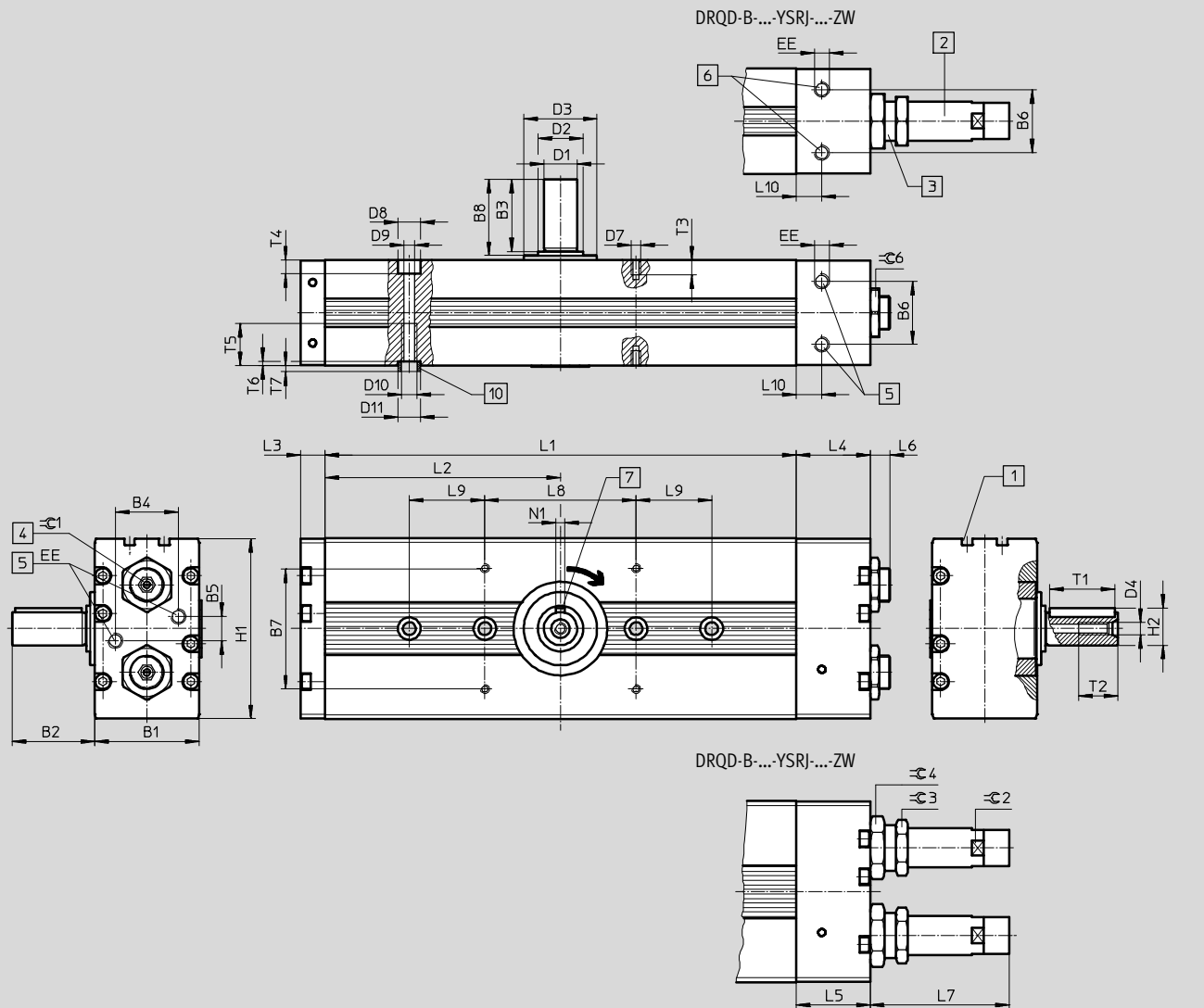
Technical data

FESTO

Dimensions

ZW – Spigot shaft

Download CAD data → www.festo.com



- | | | | |
|---|---|---|---|
| <p>1 T-slots for proximity sensors SME/SMT-8</p> <p>2 Self-adjusting shock absorber for end-position cushioning</p> | <p>3 Adjustable sleeve for end-position adjustment for type DRQD-...-YSRJ</p> <p>4 Socket head screw for end-position adjustment with integral regulating screw for end-position cushioning</p> | <p>5 Variant PPVJ: both supply ports on one end cap, optionally at front or side</p> <p>6 Variant YSRJ: both supply ports on one end cap, front side only</p> | <p>7 Woodruff key position at 0°</p> <p>10 Centring sleeves (2 included in scope of delivery)</p> |
|---|---|---|---|

- 2 - Type discontinued
Available up until 2016

FESTO

Semi-rotary drives DRQD-40 ... 50, twin-pistons

Technical data

∅ [mm]	Swivel angle [°]	B1	B2	B3	B4	B5	B6	B7	B8	D1 ∅ g6	D2 ∅	D3 ∅	D4	D7	D8 ∅ H13	D9 ∅
40	90	70	53.5	50	42	4	42	80	50.5	22	30	48.5	M8	M6	15	8.5
	180															
	360															
50	90	86	63.5	60	50	16	50	80	60.9	28	38	58.5	M12	M6	15	8.5
	180															
	360															

∅ [mm]	Swivel angle [°]	D10	D11 ∅ H7	EE	H1	H2	L1	L2	L3	L4	L5	L6		L7		L8 ±0.03
												min.	max.	min.	max.	
40	90	M10	15	G $\frac{1}{8}$	120	24.5	146.8	73.4	16	49	41.5	5	14.6	85.1	96.4	100
	180						201.8	100.9								
	360						311.8	155.9								
50	90	M10	15	G $\frac{1}{4}$	144	31	191.4	95.7	18	64	55	8	20.7	107.8	120.6	100
	180						262.8	131.4								
	360						405.8	202.9								

∅ [mm]	Swivel angle [°]	L9 ±0.03	L10	N1 P9	T1	T2 +2	T3	T4	T5	T6	T7	≈C1	≈C2	≈C3	≈C4	≈C6
												10	24	32	36	27
40	90	-	17	6	45.1	26	10	10	28	3	3	10	24	32	36	27
	180	-														
	360	50														
50	90	-	21.2	8	56.1	28	10	11	28	3	3	14	28	36	46	41
	180	50														
	360	100														

- 1 - Type discontinued
Available up until 2016

Semi-rotary drives DRQD-B-16 ... 32, twin-pistons

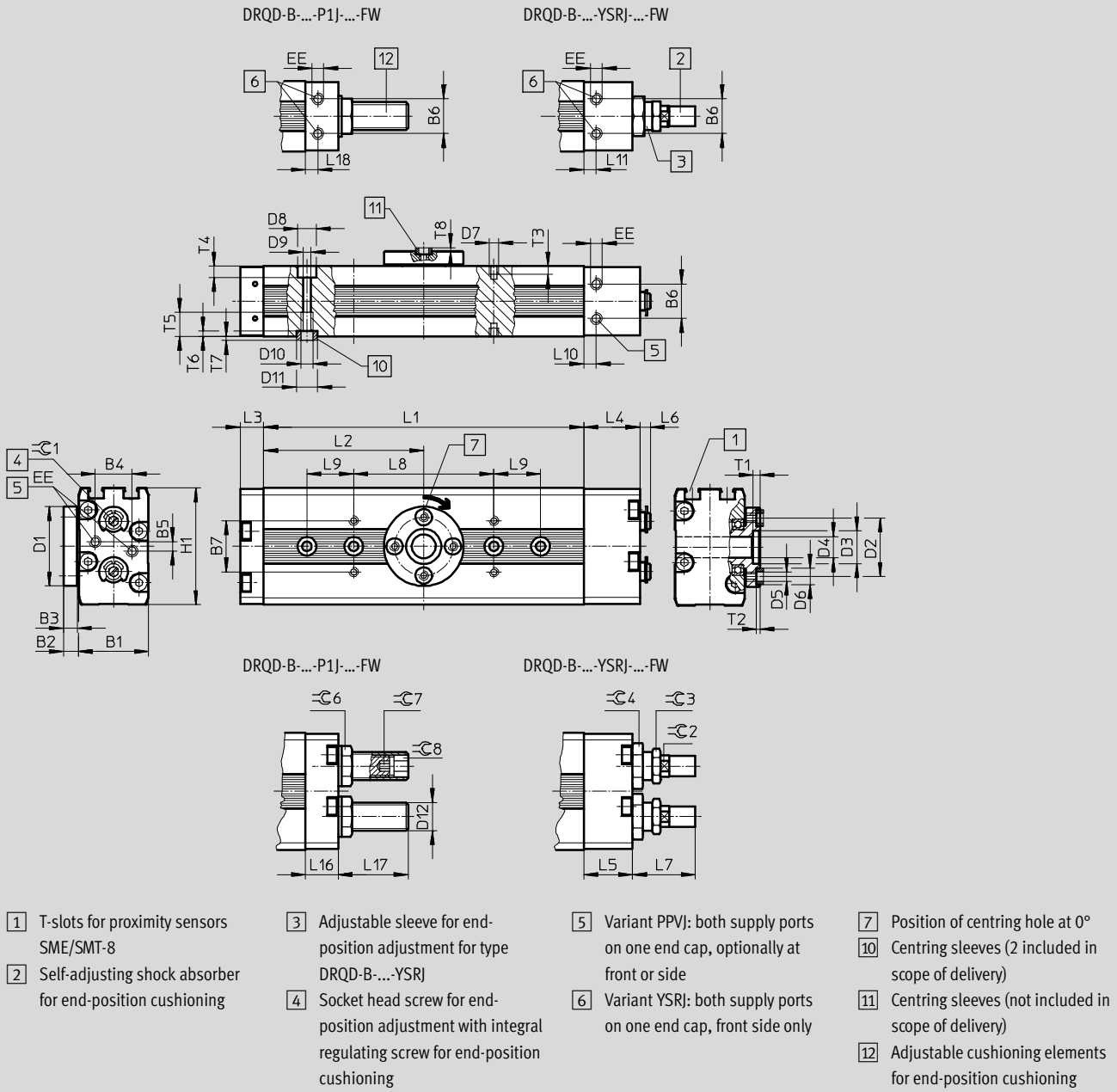
Technical data

FESTO

Dimensions

Download CAD data → www.festo.com

FW – Flanged shaft



- 2 - Type discontinued
Available up until 2016

Semi-rotary drives DRQD-B-16 ... 32, twin-pistons

FESTO

Technical data

∅	Swivel angle	B1	B2	B3	B4	B5	B6	B7	D1	D2	D3	D4	D5	D6	D7	D8	D9	D10	D11
[mm]	[°]								∅	∅ ±0.025	∅ H8	∅		∅ H7		∅ H13	∅		∅ H7
16	90	30	6.5	6	17.8	4	14.8	22	34	25	14	9	M4	7	M4	8	4.2	M5	9
	180																		
	360																		
20	90	36	6.5	6	21.8	4	19.8	26	38	28	16	11	M4	7	M4	8	4.2	M5	9
	180																		
	360																		
25	90	42	9.5	9	24.8	4	24.8	30	48	34	16	12	M6	9	M5	10	5.3	M6	9
	180																		
	360																		
32	90	51	9.5	9	29.8	2	29.8	36	58	45	19	14	M6	9	M5	10	5.3	M6	9
	180																		
	360																		

∅	Swivel angle	D12	EE	H1	L1	L2	L3	L4	L5	L6		L7		L8	L9	L10	L11	L16
										min.	max.	min.	max.					
16	90	M12	M5	50	71	35.5	10	24	20.8	1.7	5.7	23.4	28.2	60	-	7.6	5.3	14
	180				93	46.5									-			
	360				137	68.5									20			
20	90	M14	M5	56	78.4	39.2	10	31.5	27	2.4	7	28.6	35.9	60	-	8	5	13.5
	180				104.8	52.4									-			
	360				157.6	78.8									20			
25	90	M16	M5	67	91.2	45.6	11	36.5	33	2.6	8.9	42	50.2	60	-	11	5	15
	180				124	62									-			
	360				189.2	94.6									20			
32	90	M22	G $\frac{1}{8}$	79	114.8	57.4	13	39	39	4.3	11.8	59.4	70.1	80	-	13.1	8	20
	180				155.6	77.8									20			
	360				237.4	118.7									20			

∅	Swivel angle	L17		L18	T1	T2	T3	T4	T5	T6	T7	T8	≈C1	≈C2	≈C3	≈C4	≈C6	≈C7	≈C8
		min.	max.																
16	90	6.7	41	5.8	3	1.6	3.5	5	10	2	2	1.4	4	9	13	17	15	4	8
	180																		
	360																		
20	90	8.5	59.5	5	3	1.6	3.5	5	12	2	2	1.4	7	11	15	19	17	4	8
	180																		
	360																		
25	90	9	61.4	5	3	2	5	6	12	2	2	2	7	15	19	24	19	5	10
	180																		
	360																		
32	90	10	60	8	3	2	5	6	14	2	2	2	8	20	27	32	27	5	10
	180																		
	360																		

- 7 - Type discontinued
Available up until 2016

Semi-rotary drives DRQD-40 ... 50, twin-pistons

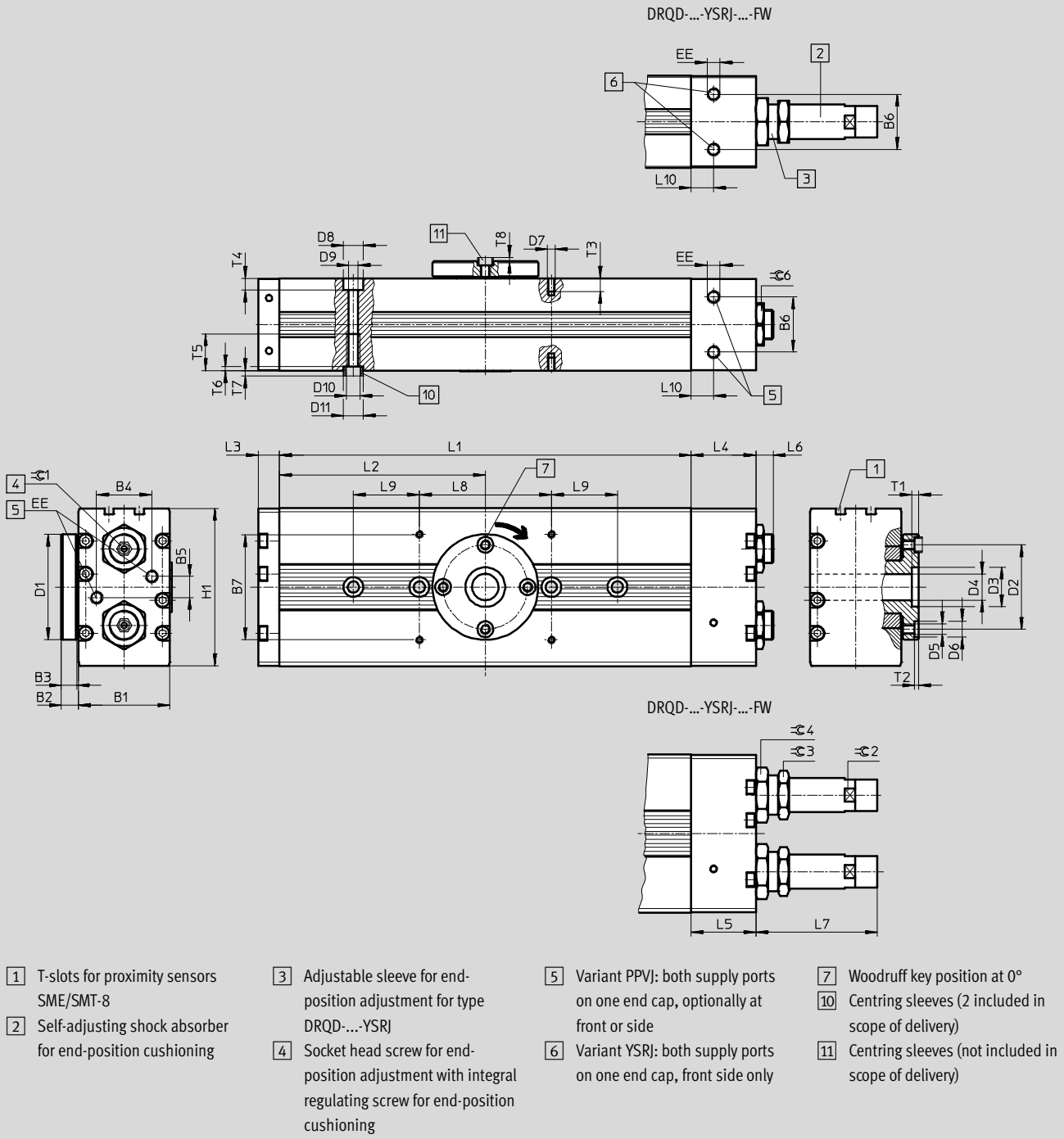
Technical data

FESTO

Dimensions

Download CAD data → www.festo.com

FW – Flanged shaft



- 2 - Type discontinued
Available up until 2016

FESTO

Semi-rotary drives DRQD-40 ... 50, twin-pistons

Technical data

∅ [mm]	Swivel angle [°]	B1	B2	B3	B4	B5	B6	B7	D1 ∅	D2 ∅ ±0.025	D3 ∅ H7	D4	D5	D6 ∅ H7	D7	D8 ∅ H13
40	90	70	13	12	42	4	42	80	80	64	30	20	M8	12	M6	15
	180															
	360															
50	90	86	13	12	50	16	50	80	85	64	30	24	M8	12	M6	15
	180															
	360															

∅ [mm]	Swivel angle [°]	D9 ∅	D10	D11 ∅ H7	EE	H1	L1	L2	L3	L4	L5	L6		L7	
												min.	max.	min.	max.
40	90	8.5	M10	15	G1/8	120	146.8	73.4	16	49	41.5	5	14.6	85.1	96.4
	180						201.8	100.9							
	360						311.8	155.9							
50	90	8.5	M10	15	G1/4	144	191.4	95.7	18	64	55	8	20.7	107.8	120.6
	180						262.8	131.4							
	360						405.8	202.9							

∅ [mm]	Swivel angle [°]	L8 ±0.03	L9 ±0.03	L10	T1	T2	T3	T4	T5	T6	T7	≈C1	≈C2	≈C3	≈C4	≈C6
40	90	100	-	17	4	2.7	10	10	28	3	3	10	24	32	36	27
	180		-													
	360		50													
50	90	100	-	21.2	4	2.7	10	11	28	3	3	14	28	36	46	41
	180		50													
	360		100													

- 1 - Type discontinued
Available up until 2016

Semi-rotary drives DRQD-B-16 ... 32, twin-pistons

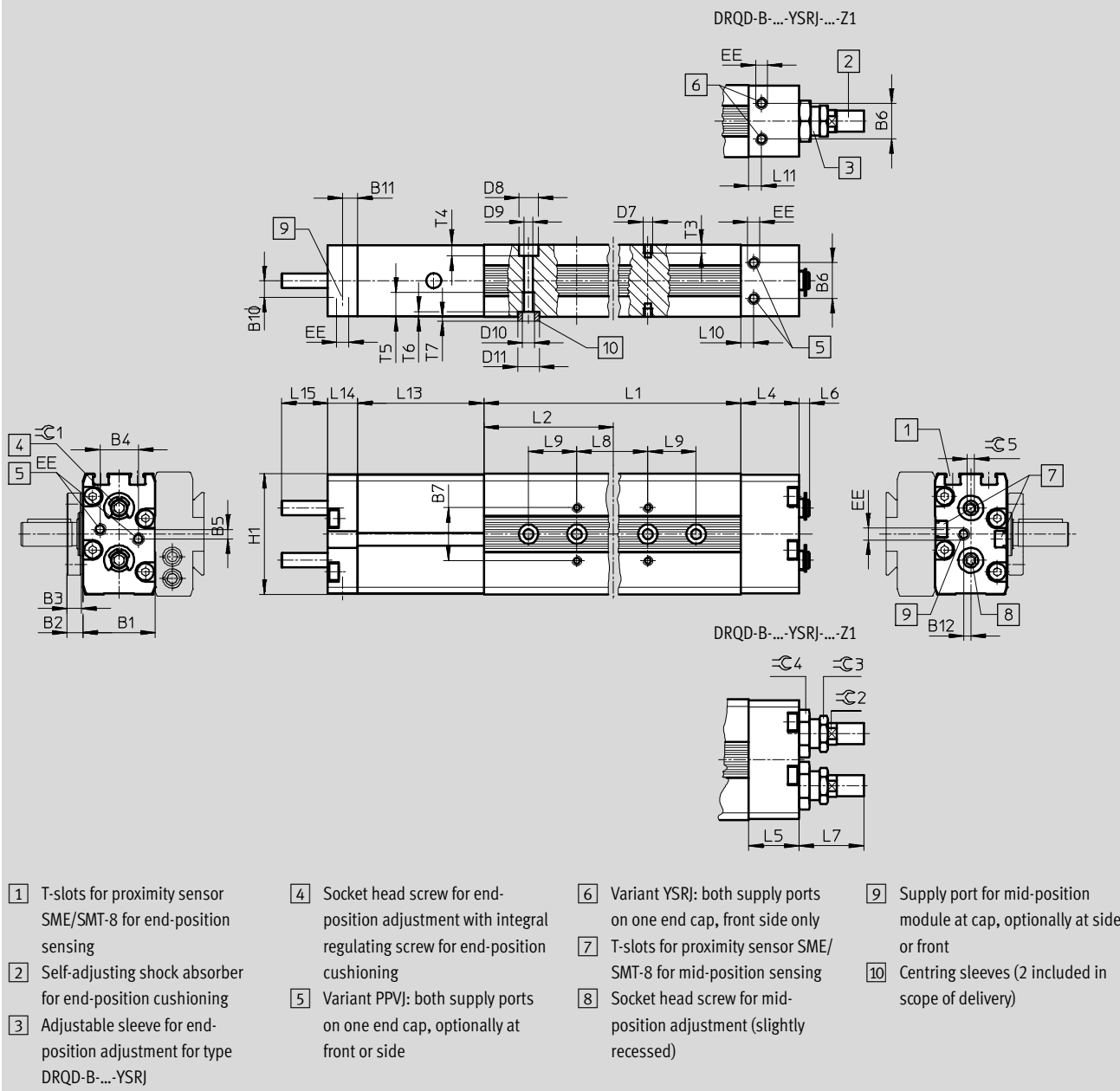
Technical data


FESTO

Dimensions

Download CAD data → www.festo.com

Z1 – Intermediate position module (energy through-feed is optional)



 Type discontinued
Available up until 2016

FESTO

Semi-rotary drives DRQD-B-16 ... 32, twin-pistons

Technical data

∅ [mm]	Swivel angle [°]	B1	B2	B3	B4	B5	B6	B7	B10	B11	B12	D7	D8 ∅ H13	D9 ∅	D10	D11 ∅ H7
16	90	30	6.5	6	17.8	4	14.8	22	6.4	4.5	3	M4	8	4.2	M5	9
	180															
20	90	36	6.5	6	21.8	4	19.8	26	6.5	4.5	5.6	M4	8	4.2	M5	9
	180															
25	90	42	9.5	9	24.8	4	24.8	30	9.1	6.9	8.2	M5	10	5.3	M6	9
	180															
32	90	51	9.5	9	29.8	2	29.8	36	9	8	9	M5	10	5.3	M6	9
	180															

∅ [mm]	Swivel angle [°]	EE	H1	L1	L2	L4	L5	L6		L7		L8 ±0.03	L9 ±0.03	L10	L11
								min.	max.	min.	max.				
16	90	M5	50	71	35.5	24	20.8	1.7	5.7	23.4	28.2	60	-	7.6	5.3
	180			93	46.5								-		
20	90	M5	56	78.4	39.2	31.5	27	2.4	7	28.6	35.9	60	-	8	5
	180			104.8	52.4								-		
25	90	M5	67	91.2	45.6	36.5	33	2.6	8.9	42	50.2	60	-	11	5
	180			124	62								-		
32	90	G $\frac{1}{8}$	79	114.8	57.4	39	39	4.3	11.8	59.4	70.1	80	-	13.1	8
	180			155.6	77.8								20		

∅ [mm]	Swivel angle [°]	L13	L14	L15		T3	T4	T5	T6	T7	≈C1	≈C2	≈C3	≈C4	≈C5
				min.	max.										
16	90	52.2	12.3	0	19.1	3.5	5	10	2	2	4	9	13	17	3
	180														
20	90	55.4	12.3	0	21.8	3.5	5	12	2	2	7	11	15	19	3
	180														
25	90	62.1	15	0	26	5	6	12	2	2	7	15	19	24	4
	180														
32	90	68.2	15.5	0	31.5	5	6	14	2	2	8	20	27	32	4
	180														

- 1 - Type discontinued
Available up until 2016

Semi-rotary drives DRQD-40 ... 50, twin-pistons

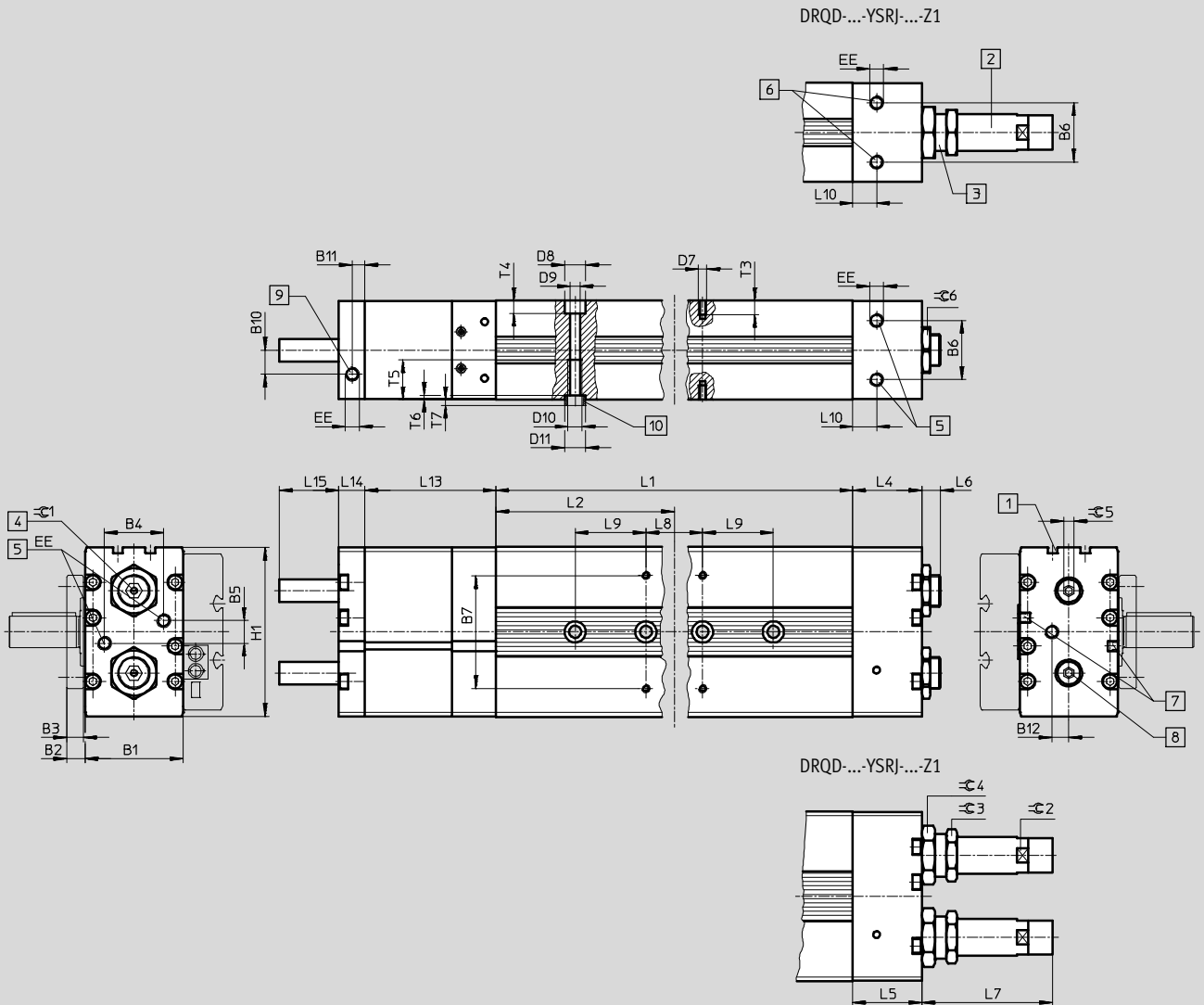
Technical data

FESTO

Dimensions

Download CAD data → www.festo.com

Z1 – Intermediate position module (energy through-feed is optional)



- | | | | |
|---|--|--|---|
| <p>1 T-slots for proximity sensor SME/SMT-8 for end-position sensing</p> <p>2 Self-adjusting shock absorber for end-position cushioning</p> <p>3 Adjustable sleeve for end-position adjustment for type DRQD-...-YSRJ</p> | <p>4 Socket head screw for end-position adjustment with integral regulating screw for end-position cushioning</p> <p>5 Variant PPVJ: both supply ports on one end cap, optionally at front or side</p> | <p>6 Variant YSRJ: both supply ports on one end cap, front side only</p> <p>7 T-slots for proximity sensor SME/SMT-8 for mid-position sensing</p> <p>8 Socket head screw for mid-position adjustment (slightly recessed)</p> | <p>9 Supply port for mid-position module at cap, optionally at side or front</p> <p>10 Centring sleeves (2 included in scope of delivery)</p> |
|---|--|--|---|

- 2 - Type discontinued
Available up until 2016

FESTO

Semi-rotary drives DRQD-40 ... 50, twin-pistons

Technical data

∅ [mm]	Swivel angle [°]	B1	B2	B3	B4	B5	B6	B7	B10	B11	B12	D7	D8 ∅ H13	D9 ∅	D10
40	90	70	13	12	42	4	42	80	92.5	9	12	M6	15	8.5	M10
	180														
	360														
50	90	86	13	12	50	16	50	80	105.7	9	14	M6	15	8.5	M10
	180														
	360														

∅ [mm]	Swivel angle [°]	D11 ∅ H7	EE	H1	L1	L2	L4	L5	L6		L7		L8 ±0.03	L9 ±0.03	L10
									min.	max.	min.	max.			
40	90	15	G $\frac{1}{8}$	120	146.8	73.4	49	41.5	5	14.6	85.1	96.4	100	-	17
	180				201.8	100.9								-	
	360				311.8	155.9								50	
50	90	15	G $\frac{1}{4}$	144	191.4	95.7	64	55	8	20.7	107.8	120.6	100	-	21.2
	180				262.8	131.4								50	
	360				405.8	202.9								100	

∅ [mm]	Swivel angle [°]	L13	L14	L15		T3	T4	T5	T6	T7	=C1	=C2	=C3	=C4	=C5	=C6
				min.	max.											
40	90	92.5	18.5	0	41.95	10	10	28	3	3	10	24	32	36	7	27
	180															
	360															
50	90	105.7	20.5	0	52.95	10	11	28	3	3	14	28	36	46	7	41
	180															
	360															

- 1 - Type discontinued
Available up until 2016

FESTO

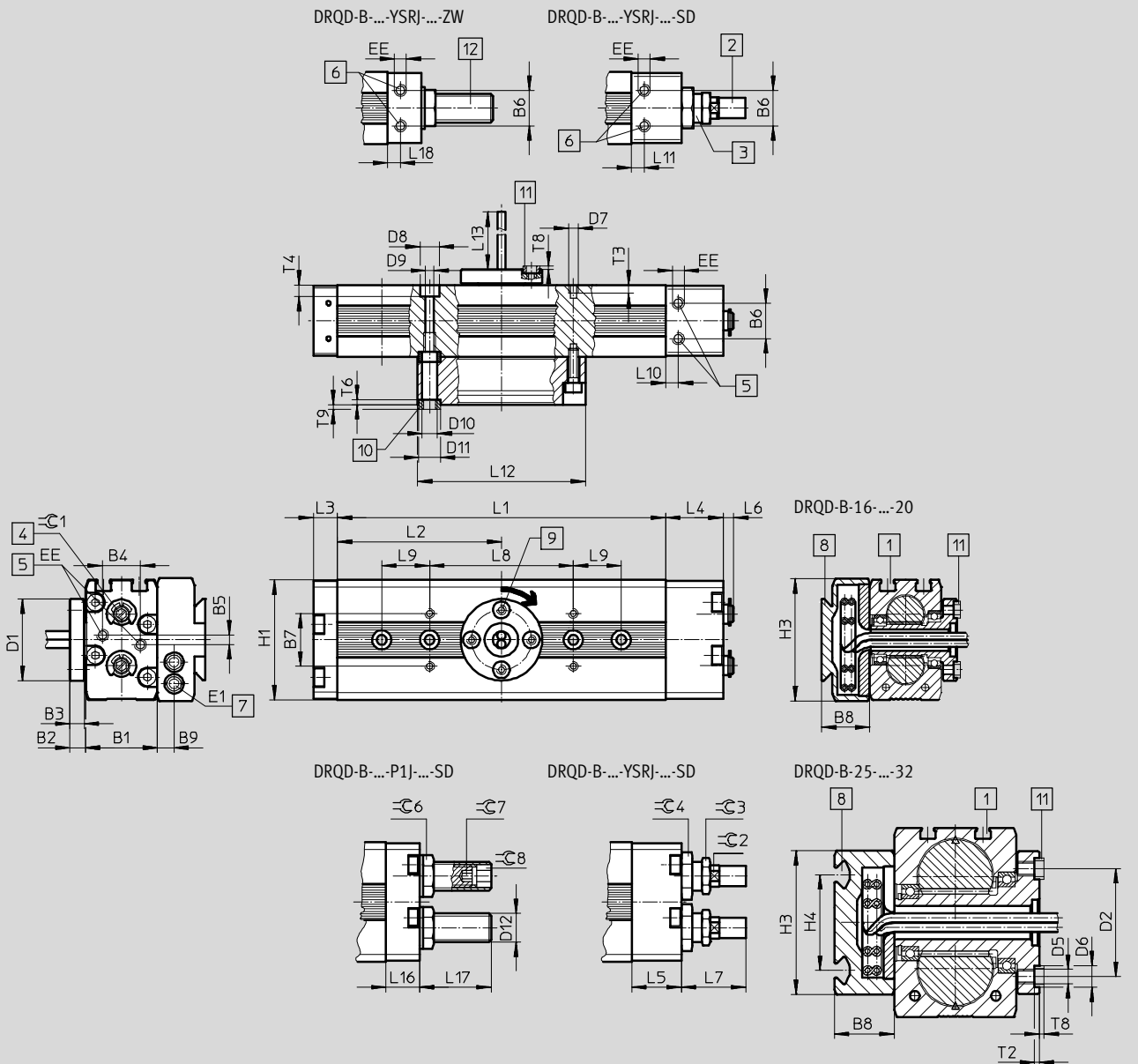
Semi-rotary drives DRQD-B-16 ... 32, twin-pistons

Technical data

Dimensions

Download CAD data → www.festo.com

FW-SD – Energy through-feed



- | | | | |
|---|--|--|---|
| <p>1 T-slots for proximity sensors SME/SMT-8</p> <p>2 Self-adjusting shock absorber for end-position cushioning</p> <p>3 Adjustable sleeve for end-position adjustment for type DRQD-B-...-YSRJ</p> | <p>4 Socket head screw for end-position adjustment with integral regulating screw for end-position cushioning</p> <p>5 Variant PPVJ: both supply ports on one end cap, optionally at front or side</p> | <p>6 Variant YSRJ: both supply ports on one end cap, front side only</p> <p>7 Supply port for energy through-feed</p> <p>8 Mounting option via dovetail profile (for \varnothing 16 to 20 mm) or profile slot nut (grid dimensions 40 mm for \varnothing 25 to 32 mm) → 64</p> | <p>9 Position of designated centring hole at 0°</p> <p>10 Centring sleeves (2 included in scope of delivery) → 64</p> <p>11 Centring sleeves (not included in scope of delivery)</p> <p>12 Adjustable cushioning elements for end-position cushioning</p> |
|---|--|--|---|

- 2 - Type discontinued
Available up until 2016

Semi-rotary drives DRQD-B-16 ... 32, twin-pistons

FESTO

Technical data

∅	Swivel angle [mm]	B1	B2	B3	B4	B5	B6	B7	B8	B9	D1 ∅	D2 ∅ ±0.025	D5	D6 ∅ H7	D7	D8 ∅ H13	D9 ∅	D10 ∅ H13	D11 ∅ H7
16	90	30	6.5	6	17.8	4	14.8	22	20	7	34	25	M4	7	M4	8	4.2	5.5	9
	180																		
	360																		
20	90	36	6.5	6	21.8	4	19.8	26	20	7	38	28	M4	7	M4	8	4.2	5.5	9
	180																		
	360																		
25	90	42	9.5	9	24.8	4	24.8	30	25	7	48	34	M6	9	M5	10	5.3	6.6	9
	180																		
	360																		
32	90	51	9.5	9	29.8	2	29.8	36	25	7	58	45	M6	9	M5	10	5.3	6.6	9
	180																		
	360																		

∅	Swivel angle [mm]	D12	EE	E1 ∅	H1	H3	H4	L1	L2	L3	L4	L5	L6		L7		L8 ±0.03	L9 ±0.03	L10
													min.	max.	min.	max.			
16	90	M12	M5	4	50	51	-	71	35.5	10	24	20.8	1.7	5.7	23.4	28.2	60	-	7.6
	180							93	46.5									-	
	360							137	68.5									20	
20	90	M14	M5	4	56	51	-	78.4	39.2	10	31.5	27	2.4	7	28.6	35.9	60	-	8
	180							104.8	52.4									-	
	360							157.6	78.8									20	
25	90	M16	M5	4	67	60	40	91.2	45.6	11	36.5	33	2.6	8.9	42	50.2	60	-	11
	180							124	62									-	
	360							189.2	94.6									20	
32	90	M22	G ¹ / ₈	4	79	60	40	114.8	57.4	13	39	39	4.3	11.8	59.4	70.1	80	-	13.1
	180							155.6	77.8									20	
	360							237.4	118.7									20	

∅	Swivel angle [mm]	L11	L12	L13 min.	L16	L17		L18	T2	T3	T4	T6	T8	T9	=C1	=C2	=C3	=C4	=C6	=C7	=C8
						min.	max.														
16	90	5.3	72	255	14	6.7	41	5.8	1.6	3.5	5	2.1	1.4	2	4	9	13	17	15	4	8
	180																				
	360																				
20	90	5	72	250	13.5	8.5	59.5	5	1.6	3.5	5	2.1	1.4	2	7	11	15	19	17	4	8
	180																				
	360																				
25	90	5	95	240	15	9	61.4	5	2	5	6	2.1	2	2	7	15	19	24	19	5	10
	180																				
	360																				
32	90	8	95	230	20	10	60	8	2	5	6	2.1	2	2	8	20	27	32	27	5	10
	180																				
	360																				

- 7 - Type discontinued
Available up until 2016

Semi-rotary drives DRQD-40 ... 50, twin-pistons

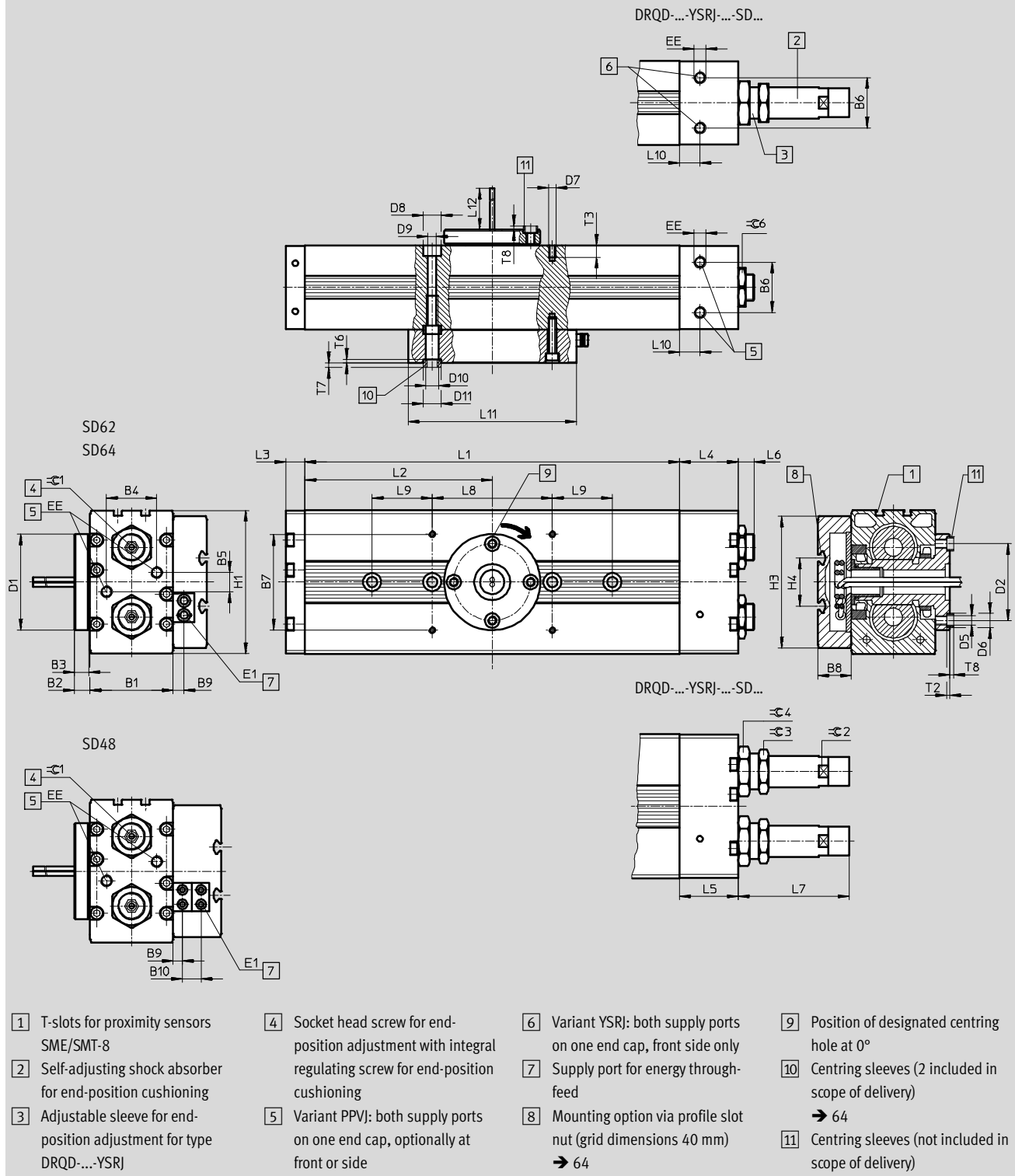
Technical data

FESTO

Dimensions

Download CAD data → www.festo.com

FW-SD – Energy through-feed



 Type discontinued
Available up until 2016

FESTO

Semi-rotary drives DRQD-40 ... 50, twin-pistons

Technical data

∅ [mm]	Swivel angle [°]	Variant	B1	B2	B3	B4	B5	B6	B7	B8	B9	B10	D1 ∅	D2 ∅ ±0.05	D3 ∅ H7	D4 ∅	D5	D6 ∅ H7	D7	D8 ∅ H13
40	90	SD62/SD64	70	13	12	42	4	42	80	28	9	–	80	64	30	20	M8	12	M6	15
		SD48								40	7.75	15.5								
	180	SD62/SD64	70	13	12	42	4	42	80	28	9	–	80	64	30	20	M8	12	M6	15
		SD48								40	7.75	15.5								
	360	SD62/SD64	70	13	12	42	4	42	80	28	9	–	80	64	30	20	M8	12	M6	15
		SD48								40	7.75	15.5								
50	90	SD62/SD64	86	13	12	50	16	50	80	28	9	–	85	64	30	24	M8	12	M6	15
		SD48								40	7.75	15.5								
	180	SD62/SD64	86	13	12	50	16	50	80	28	9	–	85	64	30	24	M8	12	M6	15
		SD48								40	7.75	15.5								
	360	SD62/SD64	86	13	12	50	16	50	80	28	9	–	85	64	30	24	M8	12	M6	15
		SD48								40	7.75	15.5								

∅ [mm]	Swivel angle [°]	Variant	D9 ∅	D10 ∅	D11 ∅ H7	EE	E1	H1	H3	H4	L1	L2	L3	L4	L5	L6		L7	
																min.	max.	min.	max.
40	90	SD62/SD64	8.5	M10	15	G $\frac{1}{8}$	$\frac{6}{4}$	120	110	40	146.8	73.4	16	49	41.5	5	14.6	85.1	96.4
		SD48					$\frac{6}{4}$												
	180	SD62/SD64	8.5	M10	15	G $\frac{1}{8}$	$\frac{6}{4}$	120	110	40	201.8	100.9	16	49	41.5	5	14.6	85.1	96.4
		SD48					$\frac{6}{4}$												
	360	SD62/SD64	8.5	M10	15	G $\frac{1}{8}$	$\frac{6}{4}$	120	110	40	311.8	155.9	16	49	41.5	5	14.6	85.1	96.4
		SD48					$\frac{6}{4}$												
50	90	SD62/SD64	8.5	M10	15	G $\frac{1}{4}$	$\frac{6}{4}$	144	110	40	191.4	95.7	18	64	55	8	20.7	107.8	120.6
		SD48					$\frac{6}{4}$												
	180	SD62/SD64	8.5	M10	15	G $\frac{1}{4}$	$\frac{6}{4}$	144	110	40	262.8	131.4	18	64	55	8	20.7	107.8	120.6
		SD48					$\frac{6}{4}$												
	360	SD62/SD64	8.5	M10	15	G $\frac{1}{4}$	$\frac{6}{4}$	144	110	40	405.8	202.9	18	64	55	8	20.7	107.8	120.6
		SD48					$\frac{6}{4}$												

∅ [mm]	Swivel angle [°]	Variant	L8	L9	L10	L11	L12	T1	T2	T3	T4	T5	T6	T7	T8	⊖C1	⊖C2	⊖C3	⊖C4	⊖C6
			±0.03	±0.03					min.											
40	90	SD62/SD64	100	–	17	140	42	4	2.7	10	10	28	3	3	2.3	10	24	32	36	27
		SD48																		
	180	SD62/SD64	100	–	17	140	42	4	2.7	10	10	28	3	3	2.3	10	24	32	36	27
		SD48																		
	360	SD62/SD64	100	50	17	140	42	4	2.7	10	10	28	3	3	2.3	10	24	32	36	27
		SD48																		
50	90	SD62/SD64	100	–	21.2	140	26	4	2.7	10	11	28	3	3	2.3	14	28	36	46	41
		SD48																		
	180	SD62/SD64	100	50	21.2	140	26	4	2.7	10	11	28	3	3	2.3	14	28	36	46	41
		SD48																		
	360	SD62/SD64	100	100	21.2	140	26	4	2.7	10	11	28	3	3	2.3	14	28	36	46	41
		SD48																		

- 7 - Type discontinued
Available up until 2016

Semi-rotary drives DRQD-B-16 ... 20, twin-pistons

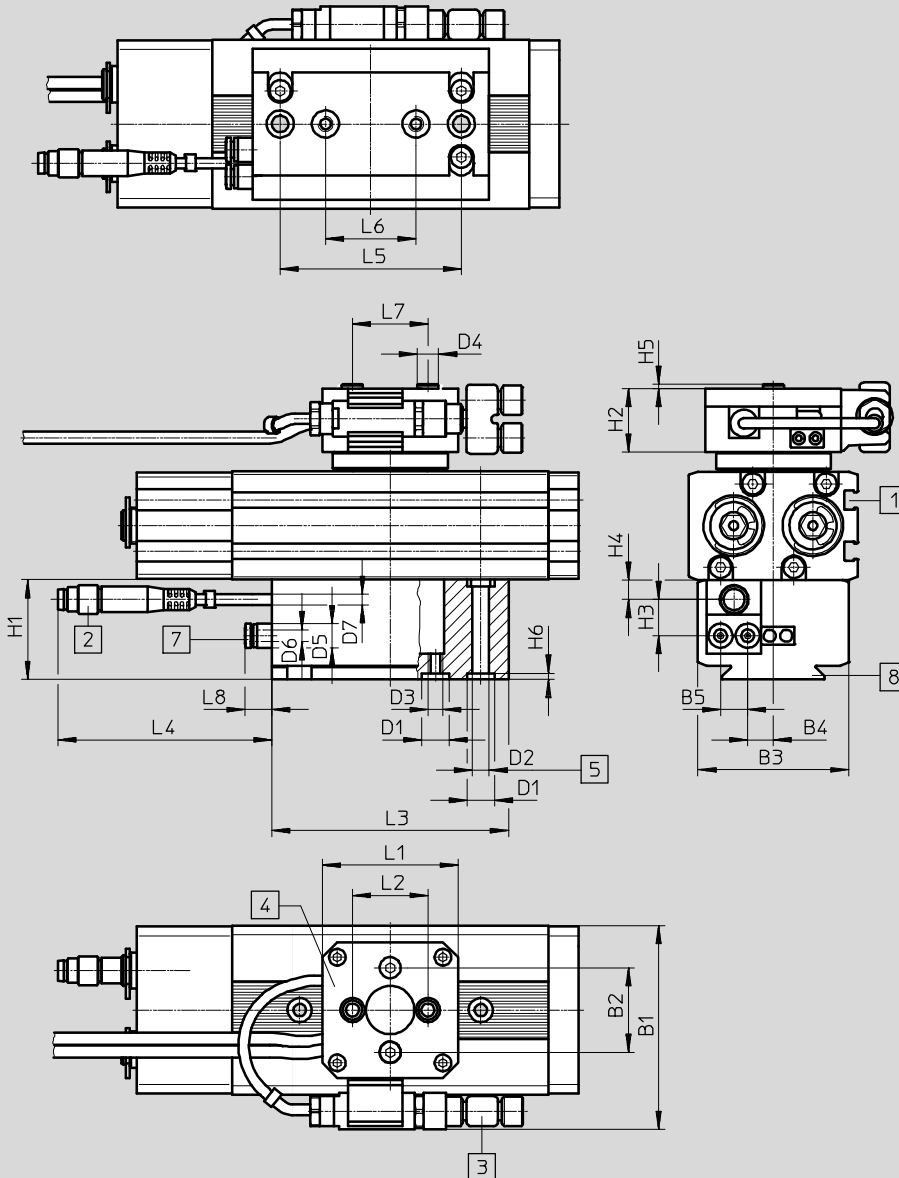
Technical data

FESTO

Dimensions


Download CAD data → www.festo.com

FW E422 – Energy through-feed



- | | |
|--|--|
| 1 T-slots for proximity sensors SME/SMT-8 | 5 Screw-through option with screw M4 |
| 2 Plug M8x1, 4-pin | 7 Supply port for energy through-feed for tubing O.D. 4 mm |
| 3 Socket M8x1 for proximity sensor SME/SMT | 8 Mounting option via dovetail connection |
| 4 Output plate can be repositioned by 90° | |

Basic dimensions
→ 42

 Type discontinued
Available up until 2016

Semi-rotary drives DRQD-B-16 ... 20, twin-pistons

FESTO

Technical data

∅	B1	B2	B3	B4	B5	D1	D2	D3	D4	D5	D6	D7
[mm]		±0,02	+0,4		±0,2	∅ H7	∅		∅ h7	∅	∅	∅
16	64	28	50	8,5	9	9	5,5	M5	7	8	4	3,5
20		25										

∅	H1	H2	H3	H4	H5	H6	L1	L2	L3	L4	L5	L6	L7	L8
[mm]	+0,2	+0,2		±0,5		±0,1		±0,02	±0,2		±0,02	±0,02	±0,02	
16	33	21	12	6,5	1,4	2,1	45	25	78,4	70	60	30	25	10
20								28						

- 7 - Type discontinued
Available up until 2016

Semi-rotary drives DRQD-B-25 ... 32, twin-pistons

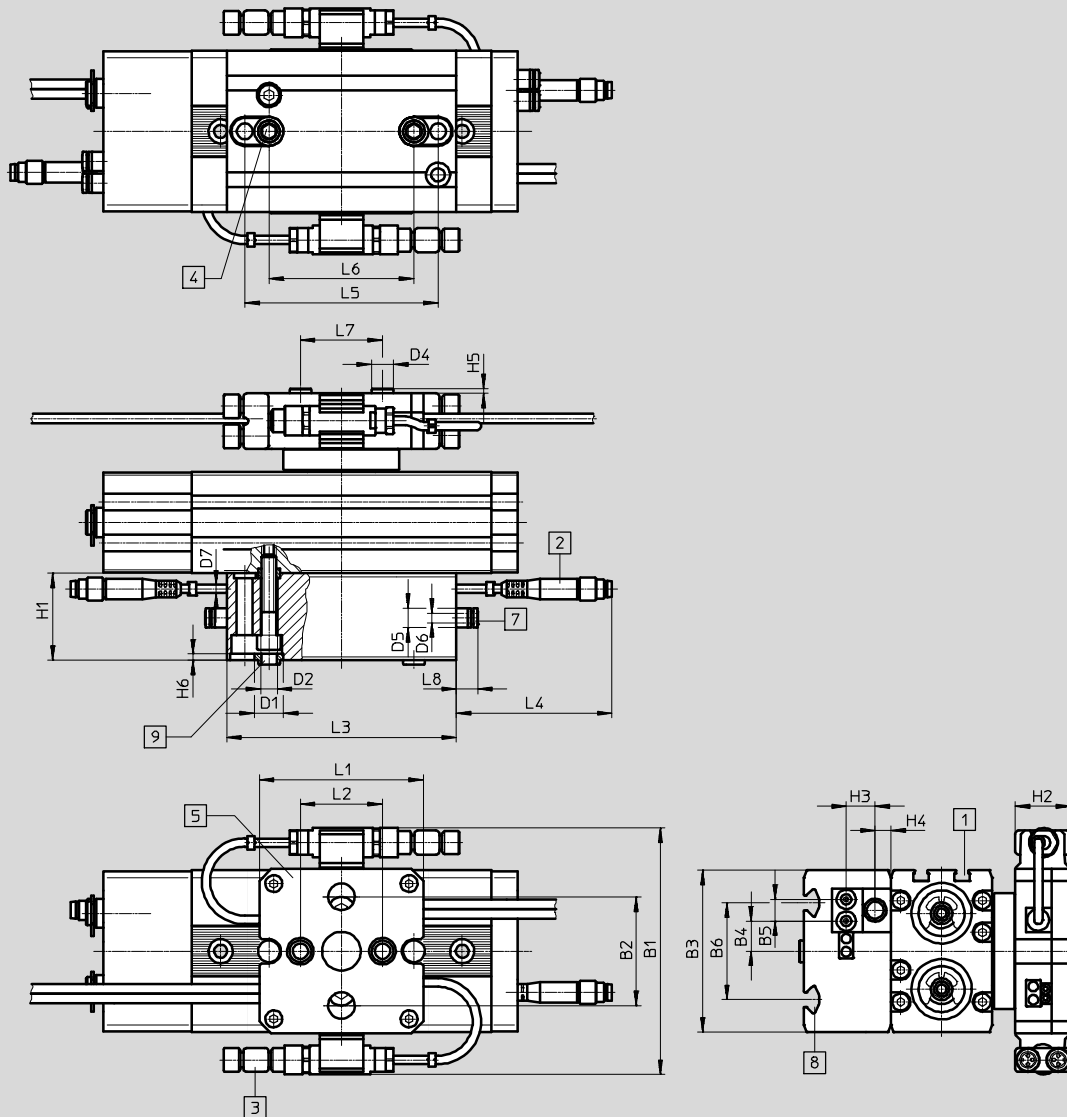
Technical data

FESTO

Dimensions

Download CAD data → www.festo.com

FW-E444 – Energy through-feed



- 1 T-slots for proximity sensors SME/SMT-8
- 2 Plug M8x1, 4-pin
- 3 Socket M8x1 for proximity sensor SME/SMT

- 4 Mounting via through-holes possible with screw M5 (retaining screws must be removed beforehand)
- 5 Centring hole can be repositioned by 90°

- 7 Supply port for energy through-feed for tubing O.D. 6 mm
- 8 Mounting option via profile slot nut
- 9 Centring sleeves (2 pieces included in scope of delivery) → 64

Basic dimensions
→ 42

- 2 - Type discontinued
Available up until 2016

FESTO

Semi-rotary drives DRQD-B-25 ... 32, twin-pistons

Technical data

∅	B1	B2	B3	B4	B5	B6	D1	D2	D4	D5	D6	D7
[mm]		±0,02	+0,3		±0,2	±0,5	∅ H7	∅ H13	∅ h7	∅	∅	∅
25	102	34	67	12,5	9	40	12	6,6	9	8	4	3,5
32		45										

∅	H1	H2	H3	H4	H5	H6	L1	L2	L3	L4	L5	L6	L7	L8
[mm]	+0,15	+0,2		±0,5		±0,1		±0,02	±0,2		±0,02	±0,02	±0,02	
25	36	23	12	6,5	2	2,6	68	34	95	65	80	60	34	10
32								45						

- 7 - Type discontinued
Available up until 2016

Semi-rotary drives DRQD-40 ... 50, twin-pistons

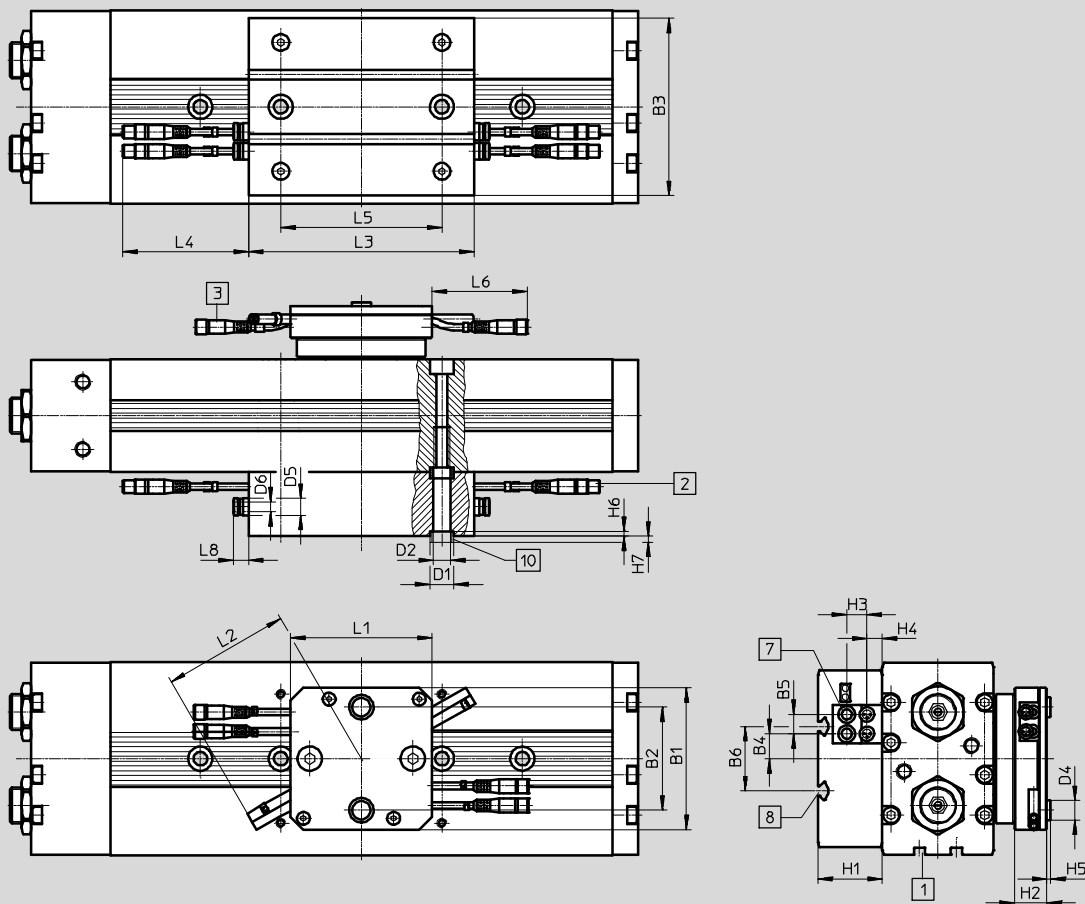
Technical data

FESTO

Dimensions

Download CAD data → www.festo.com

FW-E644 – Energy through-feed



- 1 T-slots for proximity sensors SME/SMT-8
- 2 Plug M8x1
- 3 Socket M8x1
- 7 Supply port for energy through-feed for tubing O.D. 6 mm
- 8 Mounting option via profile slot nut (grid dimensions 40 mm) → 64
- 10 Centring sleeves (2 pieces included in scope of delivery) → 64

Basic dimensions
→ 44

∅	B1	B2	B3	B4	B5	B6	D1	D2	D4	D5	D6
[mm]		±0,02	+0,2		±0,2	±0,5	∅ H7	∅ H13	∅ h7	∅	∅
40	88	64	110	15,5	12	40	15	10,5	12	10,5	6
50											




∅	H1	H2	H3	H4	H5	H6	H7	L1	L2	L3	L4	L5	L6	L8
[mm]	+0,2/-0,1	+0,2		±0,5		+0,15			min.			±0,03		±1
40	40	20	12,5	9,5	2,5	3	3	88	75	140	82	100	150	9,5
50													130	

 Type discontinued
Available up until 2016

Semi-rotary drives DRQD-B-16 ... 32, DRQD-40 ... 50, twin-pistons

FESTO

Technical data

Ordering data – Standard types				
DRQD	∅ [mm]	Swivel angle [°]	Part No.	Type
PPVJ – Adjustable end-position cushioning				
	AL – Connection on left			
	16	180	563341	DRQD-B-16-180-PPVJ-A-AL-FW
	20		563342	DRQD-B-20-180-PPVJ-A-AL-FW
	25		563343	DRQD-B-25-180-PPVJ-A-AL-FW
	32		563344	DRQD-B-32-180-PPVJ-A-AL-FW
	AR – Connection on right			
	16	90	563367	DRQD-B-16-90-PPVJ-A-AR-FW
	16	180	563353	DRQD-B-16-180-PPVJ-A-AR-FW
	20		563354	DRQD-B-20-180-PPVJ-A-AR-FW
	25		563355	DRQD-B-25-180-PPVJ-A-AR-FW
	32		563356	DRQD-B-32-180-PPVJ-A-AR-FW
	P1J – Adjustable flexible cushioning elements			
	AL – Connection on left			
	16	180	1177954	DRQD-B-16-180-P1J-A-AL-FW
	20		1177955	DRQD-B-20-180-P1J-A-AL-FW
	25		1177956	DRQD-B-25-180-P1J-A-AL-FW
	32		1177957	DRQD-B-32-180-P1J-A-AL-FW
	AR – Connection on right			
	16	180	1177950	DRQD-B-16-180-P1J-A-AR-FW
	20		1177951	DRQD-B-20-180-P1J-A-AR-FW
	25		1177952	DRQD-B-25-180-P1J-A-AR-FW
	32		1177953	DRQD-B-32-180-P1J-A-AR-FW
YSRJ – Adjustable shock absorbers				
	AL – Connection on left			
	16	180	563337	DRQD-B-16-180-YSRJ-A-AL-FW
	20		563338	DRQD-B-20-180-YSRJ-A-AL-FW
	25		563339	DRQD-B-25-180-YSRJ-A-AL-FW
	32		563340	DRQD-B-32-180-YSRJ-A-AL-FW
	AR – Connection on right			
	16	180	563349	DRQD-B-16-180-YSRJ-A-AR-FW
	20		563350	DRQD-B-20-180-YSRJ-A-AR-FW
	25		563351	DRQD-B-25-180-YSRJ-A-AR-FW
	32		563352	DRQD-B-32-180-YSRJ-A-AR-FW

- 1 - Type discontinued
Available up until 2016

Semi-rotary drives DRQD-B-16 ... 32, twin-pistons

FESTO

Ordering data – Modular products

Ordering table							
Size	16	20	25	32	Condi- tions	Code	Enter code
M Module No.	563345	563346	563347	563348			
Function	Semi-rotary drive with twin pistons					DRQD	DRQD
Product design	Function-optimized					-B	-B
Piston Ø [mm]	16	20	25	32		-...	
Swivel angle (standard)	90°					-90	
Adjusting range +6°/-20° (not preset)	180°					-180	
	360°				1	-360	
X-rotation angle	1° ... 70°, with centre section 90°					-...	
Adjusting range ±6°	100° ... 160°, with centre section 180°					-...	
Angle preset ±1°	190° ... 340°, with centre section 360°				1	-...	
Cushioning	Adjustable end-position cushioning					-PPVJ	
	Adjustable shock absorbers					-YSRJ	
	Adjustable flexible cushioning elements				2	-P1J	
Position sensing	For proximity sensing					-A	-A
Pneumatic connection	Connection on left					-AL	
	Connection on right					-AR	
Output shaft	Spigot shaft				3	-ZW	
	Flanged shaft				4	-FW	

1 **190 ... 360** Not with energy through-feed E422, E444

2 **P1J** Not with Z1, only with standard swivel angle (90°, 180°, 360°)

3 **ZW**

Not with energy through-feed SD32, SD42, E422, E444

4 **FW**

Required for energy through-feed SD32, SD42, E422, E444

Transfer order code

DRQD - **B** - - - **A** - -

- Z - Type discontinued
Available up until 2016

Semi-rotary drives DRQD-B-16 ... 32, twin-pistons

FESTO

Ordering data – Modular products

Ordering table							
Size	16	20	25	32	Condi- tions	Code	Enter code
0 Intermediate position	1 intermediate position (mid-position)				5	-Z1	
Energy through-feed	2x tubing O.D. 3 mm					-SD32	
	2x tubing O.D. 4 mm					-SD42	
	2x tubing O.D. 4 mm, 1x 4-pin cable to 2x 3-pin cable		-	-	6	-E422	
	-	-	4x tubing O.D. 4 mm, 2x 4-pin cable to 4x 3-pin cable		6	-E444	
Alternative language user docu- mentation (standard is German)	No user manual to be included					-B	
	User manual English					-E	
	User manual French					-F	
	User manual Spanish					-S	
	User manual Italian					-I	
	User manual Swedish					-V	
EU certification	II 2GD					-EX4	

5 **Z1** Cannot be combined with swivel angle (standard) 360° and X swivel angle

6 **E422, E444** Not with certification EX4

Transfer order code

- - - -

- 7 - Type discontinued
Available up until 2016

Semi-rotary drives DRQD-40 ... 50, twin-pistons

FESTO

Ordering data – Modular products

Ordering table					
Size	40	50	Condi- tions	Code	Enter code
M Module No.	197373	197374			
Function	Semi-rotary drive with twin pistons			DRQD	DRQD
Piston Ø [mm]	40	50		-...	
Swivel angle (standard)	90°			-90	
Adjusting range +6°/-20° (not preset)	180°			-180	
	360°		1	-360	
X-rotation angle	1° ... 70°, with centre section 90°			-...	
Adjusting range ±6°	100° ... 160°, with centre section 180°			-...	
Angle preset ±1°	190° ... 340°, with centre section 360°		1	-...	
Cushioning	Adjustable end-position cushioning			-PPVJ	
	Adjustable shock absorbers			-YSRJ	
Position sensing	For proximity sensing			-A	-A
Pneumatic connection	Connection on left			-AL	
	Connection on right			-AR	
Output shaft	Spigot shaft		2	-ZW	
	Flanged shaft		3	-FW	

1 **190 ... 360** Not with energy through-feed E644

2 **ZW** Not with energy through-feed SD48, SD62, SD64, E644

3 **FW** Required for energy through-feed SD48, SD62, SD64, E644

Transfer order code

DRQD - - - - **A** - -

- 2 - Type discontinued
Available up until 2016

Semi-rotary drives DRQD-40 ... 50, twin-pistons

FESTO

Ordering data – Modular product system

Ordering table						
Size	40	50	Condi- tions	Code	Enter code	
0	Intermediate position	1 intermediate position (mid-position)	4	-Z1		
	Energy through-feed	8x tubing O.D. 4 mm	5	-SD48		
		2x tubing O.D. 6 mm	5	-SD62		
		4x tubing O.D. 6 mm	5	-SD64		
		4x tubing O.D. 6 mm, 4x 3-pin cable	5	-E644		
	Alternative language user docu- mentation (standard is German)	No user manual to be included			-B	
		User manual English			-E	
		User manual French			-F	
		User manual Spanish			-S	
		User manual Italian			-I	
		User manual Swedish			-V	
	EU certification	II 2GD			-EX4	

- 4 **Z1** Cannot be combined with swivel angle (standard) 360° and X swivel angle
5 **E644** Not with certification EX4



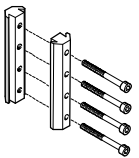


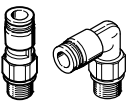
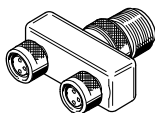
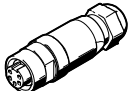
Transfer order code

- - - -

Semi-rotary drives DRQD/DRQD-B, twin pistons

Accessories

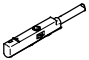
FESTO

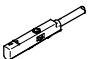
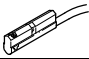
Ordering data						
	For Ø	Remarks	Design	Part No.	Type	PU ¹⁾
Centring sleeve ZBH Technical data → Internet: zbh						
	6	For centring the drive on attachments		186717	ZBH-7	10
	8 ... 32			150927	ZBH-9	
	40/50			191409	ZBH-15	
	16/20	For centring attachments on the flanged shaft FW		186717	ZBH-7	
	25/32			150927	ZBH-9	
	40/50			189653	ZBH-12	
Connecting sleeve ZBV Technical data → Internet: zbv						
	25 ... 32	For centring the semi-rotary drive with a drive		548806	ZBV-12-9	1
Adapter kit HMSV Technical data → Internet: hmsv						
	16/20	Mounting via dovetail profile for variant with energy through-feed SD... and E...		177647	HMSV-1	1
Slot nut HMBN Technical data → Internet: hmbn						
	25 ... 50	Mounting via profile slot nut for variant with energy through-feed SD... and E...		547264	HMBN-5-1M5	10
				186566	HMBN-5-2M5	
Rotary push-in fitting Technical data → Internet: quick star						
	6 ... 12 Only in combination with hollow bolt HS	With ball bearing, for standard O.D. tubing	Straight	153526	QSR-M5-4	1
			L-shape	153529	QSRL-M5-4	
T-connector NEDU Technical data → Internet: nedu						
	16 ... 32	Included in the scope of delivery if semi-rotary drive DRQD is ordered with energy through-feed E422 and E444. Suitable for connection of two proximity sensors SME/SMT-8 or SME/SMT-10		544391	NEDU-M8D3-M8T4	1
Cable socket NECU Technical data → Internet: necu						
	16 ... 32	Included in the scope of delivery if semi-rotary drive DRQD is ordered with energy through-feed E422 and E444.		544392	NECU-M8G4	1

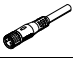

1) Packaging unit quantity

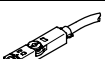
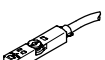
Semi-rotary drives DRQD/DRQD-B, twin pistons

Accessories

Ordering data – Proximity sensors for C-slot, magneto-resistive						Technical data → Internet: smt	
	Type of mounting	Switch output	Electrical connection, connection direction	Cable length [m]	Part No.	Type	
N/O contact							
	Insertable in the slot from above	PNP	Cable, 3-wire, in-line	2.5	551373	SMT-10M-PS-24V-E-2,5-L-OE	
			Plug M8x1, 3-pin, in-line	0.3	551375	SMT-10M-PS-24V-E-0,3-L-M8D	
			Plug M8x1, 3-pin, lateral	0.3	551376	SMT-10M-PS-24V-E-0,3-Q-M8D	

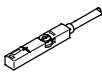
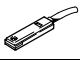

Ordering data – Proximity sensors for C-slot, magnetic reed						Technical data → Internet: sme	
	Type of mounting	Switch output	Electrical connection, connection direction	Cable length [m]	Part No.	Type	
N/O contact							
	Insertable in the slot from above	Contacting	Plug M8x1, 3-pin, in-line	0.3	551367	SME-10M-DS-24V-E-0,3-L-M8D	
			Cable, 3-wire, in-line	2.5	551365	SME-10M-DS-24V-E-2,5-L-OE	
			Cable, 2-wire, in-line	2.5	551369	SME-10M-ZS-24V-E-2,5-L-OE	
	Insertable in the slot lengthwise	Contacting	Plug M8x1, 3-pin, in-line	0.3	173212	SME-10-SL-LED-24	
			Cable, 3-wire, in-line	2.5	173210	SME-10-KL-LED-24	



Ordering data – Connecting cables				Technical data → Internet: nebu			
	Electrical connection, left	Electrical connection, right	Cable length [m]	Part No.	Type		
	Straight socket, M8x1, 3-pin	Cable, open end, 3-wire	2.5	541333	NEBU-M8G3-K-2.5-LE3		
			5	541334	NEBU-M8G3-K-5-LE3		
	Angled socket, M8x1, 3-pin	Cable, open end, 3-wire	2.5	541338	NEBU-M8W3-K-2.5-LE3		
			5	541341	NEBU-M8W3-K-5-LE3		

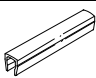
Ordering data – Proximity sensors for T-slot, magneto-resistive						Technical data → Internet: smt	
	Type of mounting	Switch output	Electrical connection	Cable length [m]	Part No.	Type	
N/O contact							
	Insertable in the slot from above, flush with cylinder profile, short design	PNP	Cable, 3-wire	2.5	574335	SMT-8M-A-PS-24V-E-2,5-OE	
			Plug M8x1, 3-pin	0.3	574334	SMT-8M-A-PS-24V-E-0,3-M8D	
			Plug M12x1, 3-pin	0.3	574337	SMT-8M-A-PS-24V-E-0,3-M12	
		NPN	Cable, 3-wire	2.5	574338	SMT-8M-A-NS-24V-E-2,5-OE	
			Plug M8x1, 3-pin	0.3	574339	SMT-8M-A-NS-24V-E-0,3-M8D	
N/C contact							
	Insertable in the slot from above, flush with cylinder profile, short design	PNP	Cable, 3-wire	7.5	574340	SMT-8M-A-PO-24V-E-7,5-OE	

Semi-rotary drives DRQD/DRQD-B, twin pistons

Accessories

Ordering data – Proximity sensors for T-slot, magnetic reed					Technical data → Internet: sme	
	Type of mounting	Switch output	Electrical connection	Cable length [m]	Part No.	Type
N/O contact						
	Insertable in the slot from above, flush with cylinder profile	Contacting	Cable, 3-wire	2.5	543862	SME-8M-DS-24V-K-2,5-OE
				5.0	543863	SME-8M-DS-24V-K-5,0-OE
			Cable, 2-wire	2.5	543872	SME-8M-ZS-24V-K-2,5-OE
			Plug M8x1, 3-pin	0.3	543861	SME-8M-DS-24V-K-0,3-M8D
	Insertable in the slot lengthwise, flush with the cylinder profile	Contacting	Cable, 3-wire	2.5	150855	SME-8-K-LED-24
			Plug M8x1, 3-pin	0.3	150857	SME-8-S-LED-24
N/C contact						
	Insertable in the slot lengthwise, flush with the cylinder profile	Contacting	Cable, 3-wire	7.5	160251	SME-8-O-K-LED-24

Ordering data – Connecting cables				Technical data → Internet: nebu	
	Electrical connection, left	Electrical connection, right	Cable length [m]	Part No.	Type
	Straight socket, M8x1, 3-pin	Cable, open end, 3-wire	2.5	541333	NEBU-M8G3-K-2.5-LE3
			5	541334	NEBU-M8G3-K-5-LE3
	Straight socket, M12x1, 5-pin	Cable, open end, 3-wire	2.5	541363	NEBU-M12G5-K-2.5-LE3
			5	541364	NEBU-M12G5-K-5-LE3
	Angled socket, M8x1, 3-pin	Cable, open end, 3-wire	2.5	541338	NEBU-M8W3-K-2.5-LE3
			5	541341	NEBU-M8W3-K-5-LE3
	Angled socket, M12x1, 5-pin	Cable, open end, 3-wire	2.5	541367	NEBU-M12W5-K-2.5-LE3
			5	541370	NEBU-M12W5-K-5-LE3


Ordering data – Slot cover for T-slot				
	Assembly	Length [m]	Part No.	Type
	Insertable from above	2x 0.5	151680	ABP-5-S

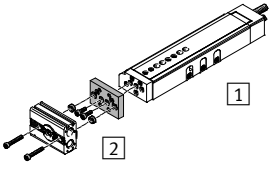
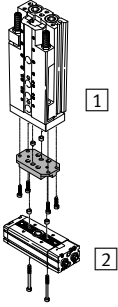
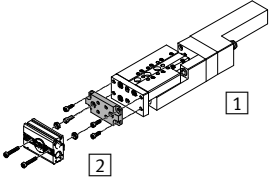
Semi-rotary drives DRQD/DRQD-B, twin pistons

Accessories

Adapter kit
HAPS, HMSV

Material:
Wrought aluminium alloy
Free of copper and PTFE
RoHS-compliant

 Note
The kit includes the individual mounting interface as well as the necessary mounting material.

Permissible drive/drive combinations with adapter kit				Download CAD data → www.festo.com			
Combination	[1] Drive	[2] Drive	Adapter kit				
	Size	Size	CRC ¹⁾	Part No.	Type	Required quantity	PU ²⁾
DGSL/DRQD	DGSL	DRQD	HMSV				
	Direct mounting on yoke plate						
	4, 6	6	2	548783	HMSV-53	1	1
	8, 10	8, 12		548784	HMSV-54	1	1
	12, 16	8, 12		548785	HMSV-55	1	1
	20, 25	16, 20		548786	HMSV-56	1	1
	Direct mounting on slide						
	8, 10	8, 12	2	548784	HMSV-54	1	1
	12, 16	8, 12		548785	HMSV-55	1	1
	20, 25	16, 20		548786	HMSV-56	1	1
	SLT/DRQD	SLT	DRQD	HAPS			
	6	6	2	178447	HAPS-1	1	1
	10	8		178448	HAPS-2	1	1
	16	12		178449	HAPS-3	1	1
	20	16, 20		178450	HAPS-4	1	1
	25	16, 20		178451	HAPS-5	1	1
	SLTE/DRQD	SLTE		DRQD	HAPS		
	10	8	2	178448	HAPS-2	1	1
	16	12		178449	HAPS-3	1	1

1) Corrosion resistance class CRC 2 to Festo standard FN 940070
Moderate corrosion stress. Indoor applications in which condensation may occur. External visible parts with primarily decorative requirements for the surface and which are in direct contact with the ambient atmosphere typical for industrial applications.

2) Packaging unit quantity


Semi-rotary drives DRQD/DRQD-B, twin pistons

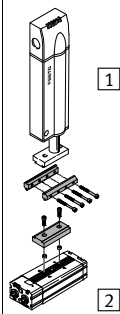
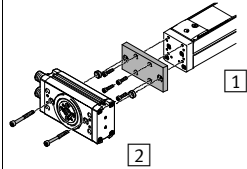
Accessories

FESTO

Adapter kit
HMVA, HMSV

Material:
Wrought aluminium alloy
Free of copper and PTFE
RoHS-compliant

 Note
The kit includes the individual mounting interface as well as the necessary mounting material.

Permissible drive/drive combinations with adapter kit			Download CAD data → www.festo.com				
Combination	1	2	Adapter kit			Required quantity	PU ²⁾
	Drive	Drive	CRC ¹⁾	Part No.	Type		
HMP/DRQD	HMP	DRQD	HMSV				
	Direct mounting						
	16, 20	16, 20	2	–	M5x20 DIN 912 ³⁾	3	–
				150927	ZBH-9 ³⁾	3	10
	25	16, 20		–	M5x25 DIN 912 ³⁾	3	–
				150927	ZBH-9 ³⁾	3	10
	25	25		177657	HMSV-11	1	1
	32	20		177659	HMSV-13	1	1
	32	25	177661	HMSV-15	1	1	
	32	32	177663	HMSV-17	1	1	
	Dovetail mounting						
	16, 20, 25, 32	16 ⁴⁾ , 20 ⁴⁾	2	177647	HMSV-1	1	1
	16, 20, 25	16, 20		177656	HMSV-10	1	1
	25	25		177657	HMSV-11	1	1
				177649	HMSV-3	1	1
	32	20		177659	HMSV-13	1	1
				177649	HMSV-3	1	1
	32	25		177661	HMSV-15	1	1
				177653	HMSV-7	1	1
32	32	177663	HMSV-17	1	1		
		177653	HMSV-7	1	1		
DGP(I)L, DGE, DGEA/DRQD	DG...	DRQD	HMSV, HMVA				
	18 ⁵⁾ , 25, 32	16, 20	2	196788	HMVA-DLA18/25	1	1
				177656	HMSV-10	1	1
	40	20		196790	HMVA-DLA40	1	1
				177656	HMSV-10	1	1
	25	25		196788	HMVA-DLA18/25	1	1
				177657	HMSV-11	1	1
				177649	HMSV-3	1	1
	40	25		196790	HMVA-DLA40	1	1
				177657	HMSV-11	1	1
				177649	HMSV-3	1	1
	40	32		196790	HMVA-DLA40	1	1
				177663	HMSV-17	1	1
		177653	HMSV-7	1	1		

- Corrosion resistance class CRC 2 to Festo standard FN 940070
Moderate corrosion stress. Indoor applications in which condensation may occur. External visible parts with primarily decorative requirements for the surface and which are in direct contact with the ambient atmosphere typical for industrial applications.
- Packaging unit quantity.
- The screws and centring sleeves listed are not included in the scope of delivery of the drives.
- Possible in combination with DRQD-...SD32 and DRQD-...SD42 (flanged shaft with energy through-feed).
- Only for DGEA-...


Semi-rotary drives DRQD/DRQD-B, twin pistons

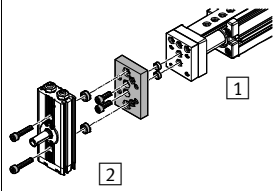
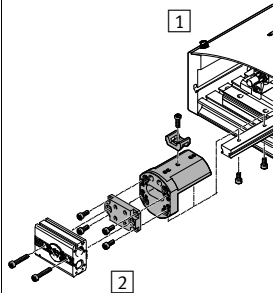
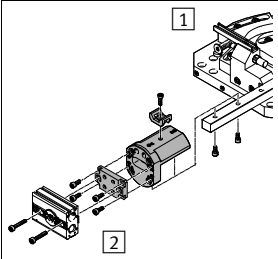
Accessories

FESTO

Adapter kit
HMVA, HMSV, HAPG

Material:
Wrought aluminium alloy
Free of copper and PTFE
RoHS-compliant

 Note
The kit includes the individual mounting interface as well as the necessary mounting material.

Permissible drive/drive combinations with adapter kit				Download CAD data → www.festo.com			
Combination	[1] Drive	[2] Drive	Adapter kit				
	Size	Size	CRC ¹⁾	Part No.	Type	Required quantity	PU ²⁾
	EGSL	DRQD	HMSV				
	35	6	2	548783	HMSV-53	1	1
				1088262	HMSV-70	1	1
	35	8, 12		548784	HMSV-54	1	1
				1088262	HMSV-70	1	1
45, 55	8, 12	548785		HMSV-55	1	1	
		75	16, 20	548786	HMSV-56	1	1
	HSP	DRQD	HAPG, HAPS				
	12	6	2	540881	HAPG-70-B	1	1
				–	M4x20 DIN 912 ³⁾	2	–
	16	8, 12		178448	HAPS-2 ⁴⁾	1	1
				540882	HAPG-71-B	1	1
	25	12		178448	HAPS-2 ⁴⁾	1	1
		540883		HAPG-72-B	1	1	
	HSW	DRQD	HAPG, HAPS				
	12, 16	8, 12	2	178448	HAPS-2 ⁴⁾	1	1
				540882	HAPG-71-B	1	1

- 1) Corrosion resistance class CRC 2 to Festo standard FN 940070
Moderate corrosion stress. Indoor applications in which condensation may occur. External visible parts with primarily decorative requirements for the surface and which are in direct contact with the ambient atmosphere typical for industrial applications.
- 2) Packaging unit quantity
- 3) The screws listed are not included in the scope of delivery of the drives.
- 4) The centering sleeves for attaching to the adapter kit HAPG-71-B are not required.