

Linear actuators DFPI



Linear actuators DFPI

Key features

FESTO

General information

- Linear actuator for actuating process valves such as gate valves and shut-off valves in process automation systems
- Linear actuator with integrated displacement encoder (potentiometer)
- Product versions with integrated positioner and valve block available (DFPI-...-C1V-...). With this product version, the integrated positioner checks the position of the piston rod within the available stroke range. This actuator has a factory-defined safety position that is assumed if the operating voltage or the analogue setpoint value fails. Positions are specified via an analogue setpoint signal (4 ... 20 mA), for example via a master PLC/IPC or manually on-site via an external setpoint generator. Position feedback is provided via an analogue feedback signal from 4 ... 20 mA. The feedback signal increases reliability and simplifies diagnostics for the user. The travel speed can be influenced using the integrated flow control screws
- With the P-connection type, the electrical and pneumatic connections are well protected from outside mechanical influences by a sturdy flanged socket
- With the ND2P-E-P variant, the displacement encoder supplies an analogue signal proportional to the displacement in the form of a voltage (voltage divider) that can then, for example, be processed further in an external positioner

Sturdy

- Sturdy and compact housing with high degree of IP protection
- Ideal for exterior use thanks to high corrosion resistance
- Product designs with integrated positioner have a pressure compensation component that prevents the formation of condensate inside the housing in the event of temperature fluctuations and thus protects the internal electronics from damage

Simple

- Easy integration into an existing control architecture
- Commissioning of product designs with integrated positioner is as fast and easy as for product designs without integrated controller thanks to self-initialisation

Individual

- Product variants with and without positioner and valve block available
- Proximity sensors can be installed in the available slots if necessary for additional binary sensing of positions

Versatile

Suitable for use in:

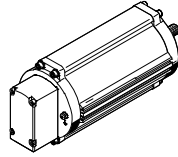
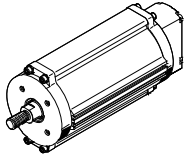
- water technology
- sewage treatment systems
- service water systems
- process water systems
- silo and bulk goods systems

Linear actuators DFPI

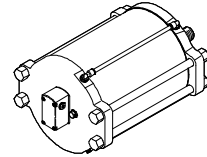
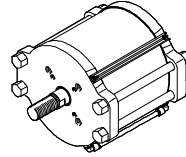
Key features

Variant ND2P-E-P-G2

Piston \varnothing 100 ... 160



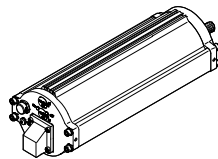
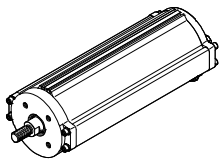
Piston \varnothing 200 ... 320



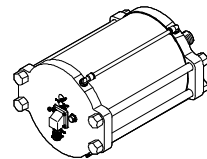
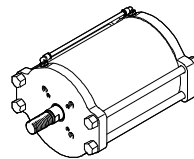
DFPI with integrated displacement encoder and protected pneumatic and electrical connections

Variant ND2P-C1V-A

Piston \varnothing 100 ... 160



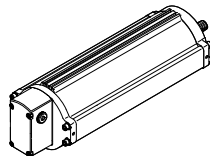
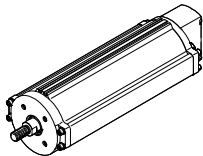
Piston \varnothing 200 ... 320



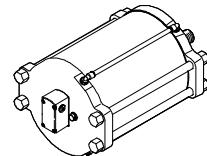
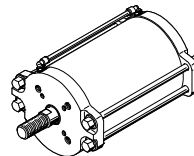
DFPI with integrated displacement encoder, positioner and valve block

Variant ND2P-C1V-P-A

Piston \varnothing 100 ... 160



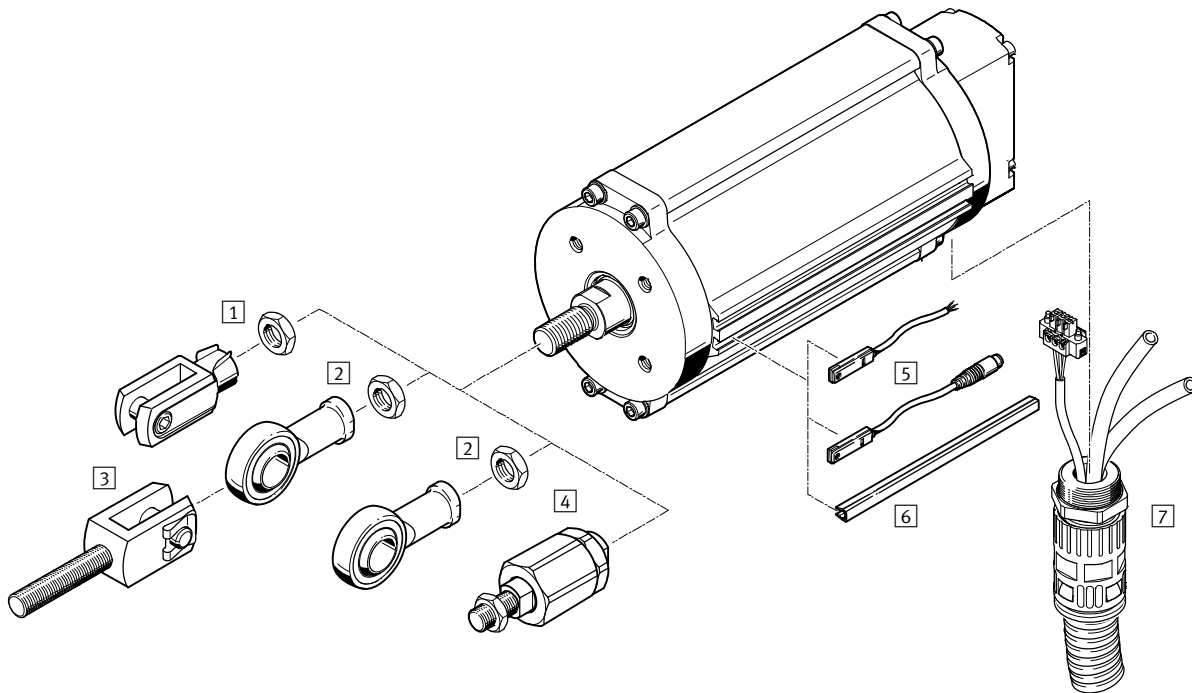
Piston \varnothing 200 ... 320



DFPI with integrated displacement encoder, positioner and valve block and protected pneumatic and electrical connections

Linear actuators DFPI-ND2P-E-P-G2

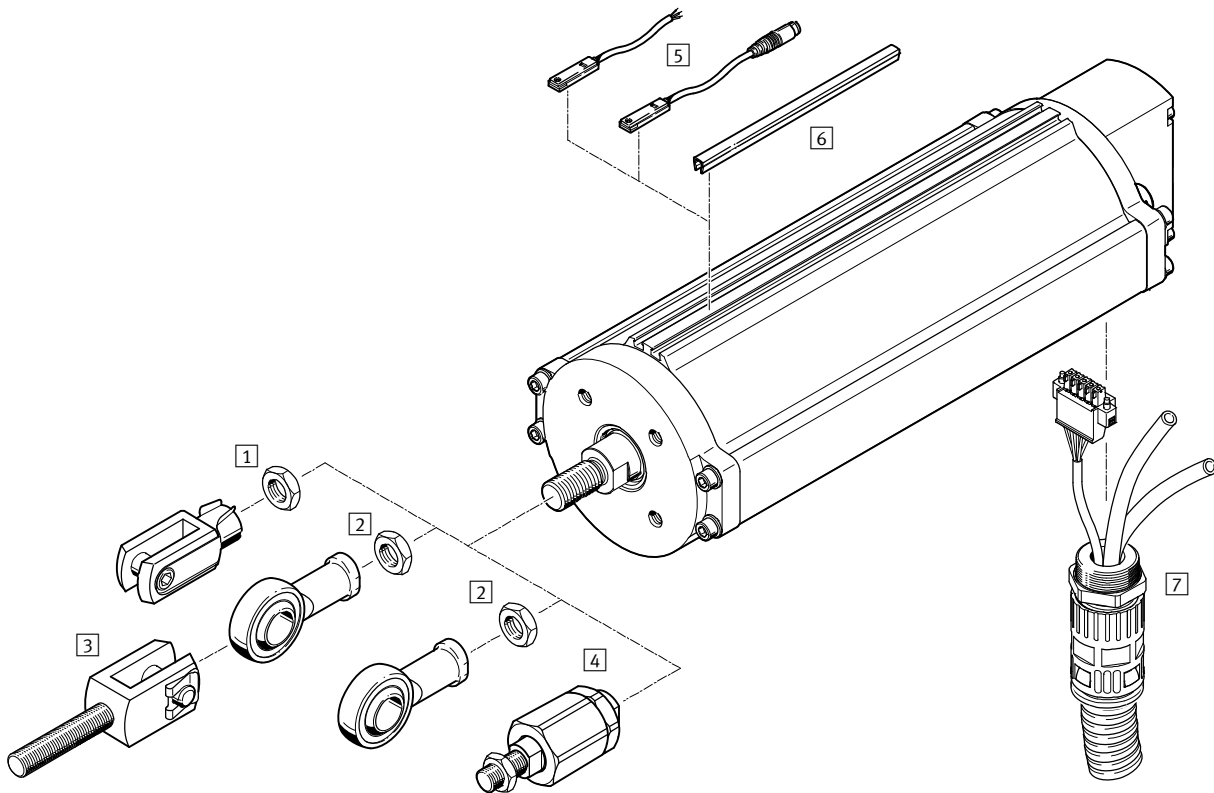
Peripherals overview – DFPI with integrated displacement encoder



Mounting components and accessories		
	Brief description	→ Page/Internet
1	Rod clevis SG	22
	Rod clevis, stainless steel CRSG	22
2	Rod eye SGS	22
	Rod eye, stainless steel CRSGS	22
3	Rod clevis SGA	22
4	Self-aligning rod coupler FK/CRFK	22
5	Proximity sensor SMT-8F-I	22
	Proximity sensor SMT-8	22
	Proximity sensor SME-8	23
6	Slot cover ABP-5-S	23
7	Connecting cable NH5B	19

Linear actuators DFPI-ND2P-C1V-...-A

Peripherals overview – DFPI with integrated displacement encoder, positioner and valve block



Mounting components and accessories		
	Brief description	→ Page/Internet
1	Rod clevis SG	22
	Rod clevis, stainless steel CRSG	22
2	Rod eye SGS	22
	Rod eye, stainless steel CRSGS	22
3	Rod clevis SGA	22
4	Self-aligning rod coupler FK	22
5	Proximity sensor SMT-8F-I	22
	Proximity sensor SMT-8	22
	Proximity sensor SME-8	23
6	Slot cover ABP-5-S	23
7	Connecting cable NHSB	19

Linear actuators DFPI

Type codes

DFPI - 100 - 100 - N D2 P - C1 V - P - A -

Type	
DFPI	Regulated actuator for process automation

Piston Ø	
100	100 mm
125	125 mm
160	160 mm
200	200 mm
250	250 mm
320	320 mm

Stroke	
	x length [40 ... 990 mm]

Function	
-	Double-acting

Cushioning	
N	No cushioning

Displacement encoder	
D2	Analogue

Method of measurement	
P	Potentiometer

Controller	
-	Not specified
C1	Controller 1

Attachment position of controller	
-	Integrated
E	External

Directional control valve	
-	Not specified
V	Integrated

Connection type	
-	Not specified
P	Protected

Safety position	
-	Piston rod advancing

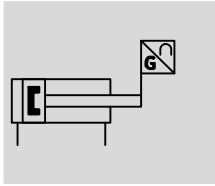
Feedback	
A	Analogue feedback signal

Generation	
G2	Second generation

Linear actuators DFPI-ND2P-E-P-G2

Technical data

Function



- | - Stroke
40 ... 990 mm
- ||| - Force
4,417 ... 48,255 N



- ∅ - Piston ∅
100 ... 320 mm

General technical data						
Piston ∅	100	125	160	200	250	320
Based on standard (connection to process valve)	DIN 3358					
Type of mounting	On flange to DIN 3358					
Flange hole pattern	F07	F10	F10, F14			
Design	Piston rod, cylinder barrel					
Cushioning	None					
Mounting position	Any					
Mode of operation	Double-acting					
Stroke [mm]	40 ... 990					
Stroke reserve [mm]	3				4	
Pneumatic connection	For tubing O.D. 8 mm					
Electrical connection	3-pin, straight plug, screw terminal					
Max. cable length [m]	15					
Measuring principle displacement encoder	Potentiometer					
Position sensing	With integrated displacement encoder					
Repetition accuracy [mm]	±0.12					
Independent linearity [%]	0.04					
Hysteresis [mm]	0.33					
Continuous shock resistance to DIN/IEC 68 Part 2-82	Tested to severity level 2					
Vibration resistance to DIN/IEC 68 Part 2-6	Tested to severity level 2					

Linear actuators DFPI-ND2P-E-P-G2

Technical data

Operating and environmental conditions						
Piston Ø	100	125	160	200	250	320
Operating pressure [bar]	3 ... 8					
Nominal operating pressure [bar]	6					
Operating medium	Compressed air in accordance with ISO 8573-1:2010 [7:4:4]					
Note on operating/pilot medium	Lubricated operation possible (in which case lubricated operation will always be required)					
Operating voltage range [V DC]	0 ... 15					
Max. operating voltage [V DC]	15					
Exterior use	C1 – weather-protected areas in accordance with IEC 60654					
Recommended contact current [µA]	<0.1				–	
Max. short-time contact current [mA]	10				–	
Ambient temperature [°C]	–20 ... +60					
Storage temperature [°C]	–20 ... +80				–	
Corrosion resistance class CRC ¹⁾	3					
Relative air humidity [%]	5 ... 100, condensing					
Protection class	IP65, IP67, IP68, IP69K, NEMA 4					
Certification	C-Tick				–	
CE marking (see declaration of conformity) → www.festo.com	To EU Explosion Protection Directive (ATEX)					
ATEX category for gas	II 2G					
Explosion ignition protection type for gas	c T4X					
ATEX category for dust	II 2D					
Explosion ignition protection type for dust	c 120°C X					
Explosion-proof temperature [°C]	–20 ... +60					

1) Corrosion resistance class CRC 3 to Festo standard FN 940070
High corrosion stress. Outdoor exposure under moderate corrosive conditions. External visible parts with primarily functional requirements for the surface and which are in direct contact with a normal industrial environment.

Linear actuators DFPI-ND2P-E-P-G2

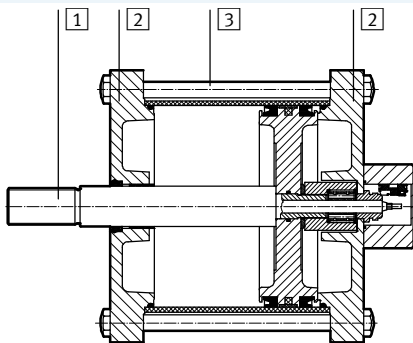
Technical data

Forces [N] and air consumption [l]						
Piston Ø	100	125	160	200	250	320
Theoretical force at 6 bar, advancing	4712	7363	12064	18850	29452	48255
Theoretical force at 6 bar, retracting	4417	6881	11581	18080	28698	47501
Air consumption, advancing, per 10 mm stroke	0.5498	0.859	1.4074	2.119	3.4361	5.6297
Air consumption, retracting, per 10 mm stroke	0.5153	0.8027	1.3511	2.111	3.3482	5.5418

Weight						
Piston Ø	100	125	160	200	250	320
Basic weight with 0 mm stroke [g]	3476	5530	6529	13946	22569	35359
Additional moving load per 10 mm stroke [g]	27	52	52	87	87	87
Moving load with 0 mm stroke [g]	1228	1944	2250	4722	7059	11417
Additional weight per 10 mm stroke [g]	80	145	159	187	325	399
Additional weight of displacement encoder per 10 mm [g]	2					

Materials

Sectional view



Linear actuators		
1	Piston rod	High-alloy stainless steel
2	Top cap (end cap)	Piston Ø 100 ... 320 Anodised wrought aluminium alloy, or painted anodised wrought aluminium alloy, or painted die-cast aluminium
2	Bottom cap (bearing cap)	Piston Ø 100 ... 320 Anodised wrought aluminium alloy, or painted anodised wrought aluminium alloy, or painted die-cast aluminium
3	Cylinder barrel	Piston Ø 100 ... 200 Piston Ø 250 ... 320 Anodised wrought aluminium alloy
-	Screws	Piston Ø 100, 200, 250, 320 Piston Ø 125, 160 High-alloy stainless steel
-	Ring nut	Piston Ø 100 ... 200 Coated steel
-	Seals	Piston Ø 100 Piston Ø 125 ... 320 Polyurethane, nitrile rubber Nitrile rubber
-	Note on materials	Contains PWIS (paint-wetting impairment substances), RoHS-compliant

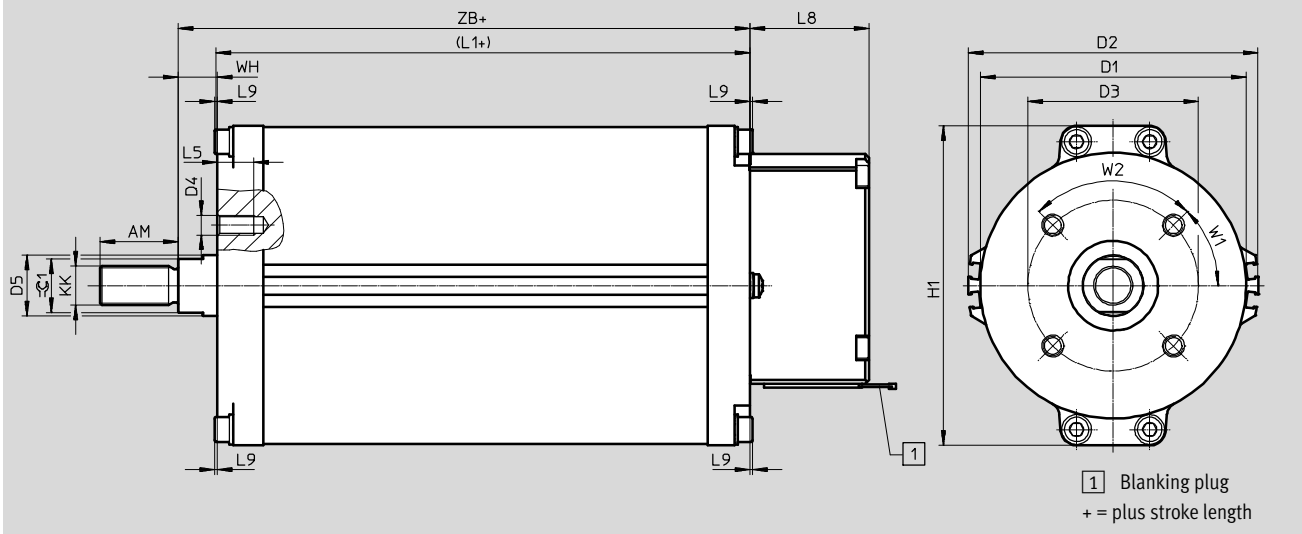
Linear actuators DFPI-ND2P-E-P-G2

Technical data

Dimensions

Download CAD data → www.festo.com

Piston Ø 100 ... 160



Piston Ø	AM	D1	D2	D3	D4	D5	H1	KK	L1+
[mm]	-2	Ø	Ø	Ø		Ø			
DFPI-100	32	109	119	70	M8	25	131	M16x1.5	118.5
DFPI-125	54	135	147	102	M10	32	163	M27x2	119
DFPI-160		170	182				199		126.5

Piston Ø	L5	L8	L9	W1	W2	WH	ZB+	∅C1	Flange dimension to DIN 3358
[mm]									
DFPI-100	15	48.8	1	45°	90°	16	134.5	22	F07
DFPI-125	18	48.8	-	45°	90°	24	143	27	F10
DFPI-160							150.5		

Linear actuators DFPI-ND2P-E-P-G2

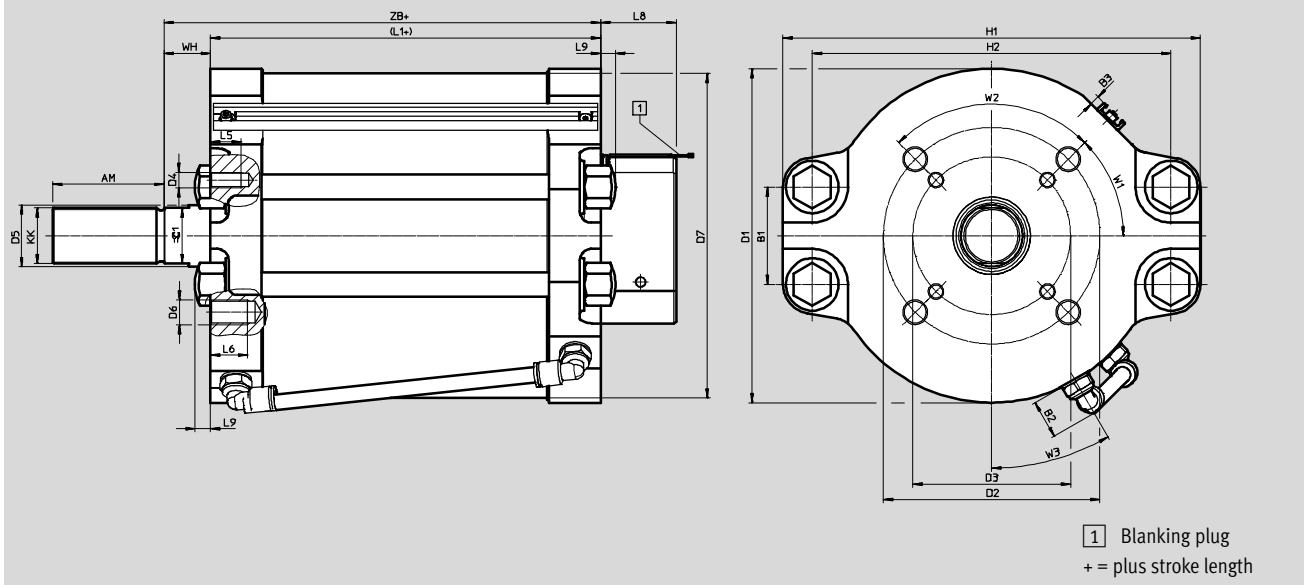
Technical data

FESTO

Dimensions

Download CAD data → www.festo.com

Piston Ø 200 ... 320

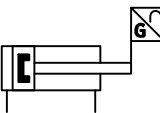



Piston Ø	AM	B1	B2	B3	D1	D2	D3	D4	D5	D6	D7	H1	H2
[mm]	-2				Ø	Ø	Ø		Ø		Ø min.		
DFPI-200	72	63	25.6	6.5	216	140	102	M10	40	M16	210	270	232
DFPI-250	72	82	25.6	6.5	260	140	102	M10	40	M16	254	308	268
DFPI-320		126			332						325		

Piston Ø	KK	L1+	L5	L6 min.	L8	L9	WH	W1	W2	W3	ZB+	⊖C1	Flange dimension to DIN 3358
[mm]													
DFPI-200	M36x2	152.5	20	24	48.8	10	30	45	90	30	182.5	36	F1014
DFPI-250	M36x2	152.2	20	25	48.8	25	30	45	90	30	182.2	36	F1014
DFPI-320		160		24							190		

Linear actuators DFPI-ND2P-E-P-G2

Technical data

Ordering data			
Type	Piston Ø [mm]	Part No.	Type
	100	1808236	DFPI-100- ... -ND2P-E-P-G2
	125	1808239	DFPI-125- ... -ND2P-E-P-G2
	160	1808242	DFPI-160- ... -ND2P-E-P-G2
	200	1808245	DFPI-200- ... -ND2P-E-P-G2
	250	1808253	DFPI-250- ... -ND2P-E-P-G2
	320	1808263	DFPI-320- ... -ND2P-E-P-G2

-  - Note

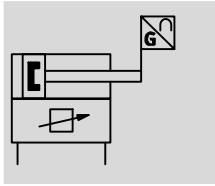
Stroke length of the actuator



The stroke length of the actuator should generally at least correspond to the nominal diameter of the process valve so that the process valve can be fully opened and closed. The system tolerances can lead to a greater stroke range than the specified nominal stroke range of the linear actuator. The adjustable rod clevis enables adjustment of the system.

Linear actuators DFPI-ND2P-C1V-...-A


Technical data

Function



-  Stroke
40 ... 990 mm
-  Force
4,417 ... 48,255 N



-  Piston \varnothing
100 ... 320 mm

General technical data						
Piston \varnothing	100	125	160	200	250	320
Based on standard (connection to process valve)	DIN 3358					
Type of mounting	On flange to DIN 3358					
Flange hole pattern	F07	F10	F10, F14			
Design	Piston rod, cylinder barrel					
Cushioning	No cushioning					
Mounting position	Any					
Mode of operation	Double-acting					
Stroke [mm]	40 ... 990					
Stroke reserve [mm]	3				4	
Pneumatic connection						
DFPI-...-ND2P-C1V-A	G $\frac{1}{4}$					
DFPI-...-ND2P-C1V-P-A	For tubing O.D. 8 mm, O.D. 10 mm					
Electrical connection	5-pin, straight plug, screw terminal					
Max. cable length [m]	15					
Measuring principle displacement encoder	Potentiometer					
Position sensing	With integrated displacement encoder					
Repetition accuracy	1 %FS					
Positioning accuracy	1 %FS					
Hysteresis	1 %FS					
Size of the dead zone	1 %FS					
Accuracy of analogue output	1 %FS					
Max. speed, retracting [m/s]	0.071	0.048	0.031	0.016	–	0.005
Max. speed, advancing [m/s]	0.074	0.049	0.031	0.018	–	0.007
Continuous shock resistance to DIN/ IEC 68 Part 2-82	Tested to severity level 2					
Vibration resistance to DIN/IEC 68 Part 2-6	Tested to severity level 2					

Linear actuators DFPI-ND2P-C1V-...-A

Technical data

Operating and environmental conditions	
Operating pressure [bar]	3 ... 8
Nominal operating pressure [bar]	6
Operating medium	Compressed air in accordance with ISO 8573-1:2010 [7:4:4]
Note on operating/pilot medium	Lubricated operation possible (in which case lubricated operation will always be required)
Operating voltage range [V DC]	21.6 ... 26.4
Nominal operating voltage [V DC]	24
Setpoint input [mA]	4 ... 20
Analogue output [mA]	4 ... 20
Max. current consumption [mA]	220
Reverse polarity protection	For operating voltage For setpoint value For initialisation connection
Exterior use	C1 – weather-protected areas in accordance with IEC 60654
Ambient temperature [°C]	–5 ... +50
Temperature of medium [°C]	–5 ... +40
Corrosion resistance class CRC ¹⁾	3
Relative air humidity [%]	5 ... 100, condensing
Protection class	IP65, IP67, IP68, IP69K, NEMA 4
Certification	RCM trademark
CE marking (see declaration of conformity) → www.festo.com	To EU EMC Directive To EU Explosion Protection Directive (ATEX)
ATEX category for gas	II3G
Explosion ignition protection type for gas	Ex nA IIC T4 X Gc
ATEX category for dust	II3D
Explosion ignition protection type for dust	Ex tc IIIC T120°C X Dc
Explosion-proof temperature [°C]	–5 ... +50

1) Corrosion resistance class CRC 3 to Festo standard FN 940070
High corrosion stress. Outdoor exposure under moderate corrosive conditions. External visible parts with primarily functional requirements for the surface and which are in direct contact with a normal industrial environment.

Forces [N] and air consumption [l]	100	125	160	200	250	320
Piston Ø						
Theoretical force at 6 bar, advancing	4712	7363	12064	18850	29452	48255
Theoretical force at 6 bar, retracting	4417	6881	11581	18080	28698	47501
Air consumption, retracting, per 10 mm stroke	0.5153	0.8027	1.3511	2.111	3.3482	5.5418
Air consumption, advancing, per 10 mm stroke	0.5498	0.859	1.4074	2.119	3.4361	5.6297

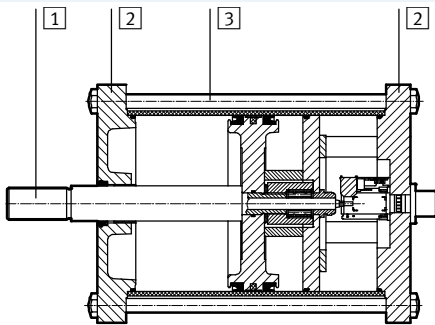
Linear actuators DFPI-ND2P-C1V-...-A

Technical data

Weight						
Piston Ø	100	125	160	200	250	320
Basic weight with 0 mm stroke						
DFPI-...-...-ND2P-C1V-A [g]	4671	7693	9099	18358	29956	45200
DFPI-...-...-ND2P-C1V-P-A [g]	5237	8259	9665	18924	30522	45766
Moving load with 0 mm stroke [g]	1228	1944	2250	4722	7059	11417
Additional weight per 10 mm stroke [g]	80	145	159	187	325	399
Additional moving load per 10 mm stroke [g]	27	52		87		
Additional weight of displacement encoder per 10 mm [g]	2					

Materials

Sectional view



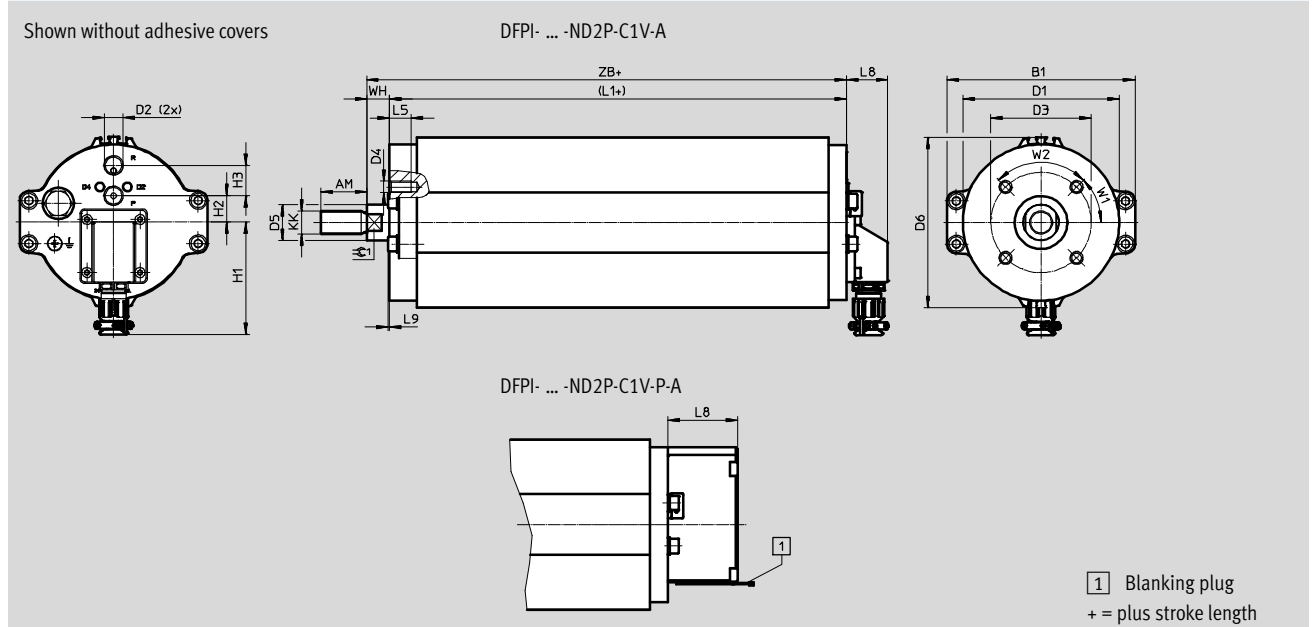
Linear actuators		
1	Piston rod	High-alloy stainless steel
2	Top cap (end cap)	Piston Ø 100 ... 320 Anodised wrought aluminium alloy, or painted anodised wrought aluminium alloy, or painted die-cast aluminium
2	Bottom cap (bearing cap)	Piston Ø 100 ... 320 Anodised wrought aluminium alloy, or painted anodised wrought aluminium alloy, or painted die-cast aluminium
3	Cylinder barrel	Piston Ø 100 ... 200 Piston Ø 250 ... 320 Anodised wrought aluminium alloy High-alloy stainless steel
-	Screws	Piston Ø 100, 200, 250, 320 Piston Ø 125, 160 High-alloy stainless steel
-	Seals	Piston Ø 100 Piston Ø 125 ... 320 Polyurethane, nitrile rubber Nitrile rubber
-	Note on materials	Contains PWIS (paint-wetting impairment substances), RoHS-compliant

Linear actuators DFPI-ND2P-C1V-...-A

Technical data

Dimensions Download CAD data → www.festo.com

Piston Ø 100 ... 160



Piston Ø [mm]	AM -2	B1	D1 Ø	D2 Ø	D3 Ø	D4	D5 Ø	D6 Ø	H1 ±2	H2
DFPI-100- ... -C1V-A	32	131	109	G¼	70	M8	25	119	79	18.3
DFPI-125- ... -C1V-A	54	163	135	G¼	102	M10	32	147	79	18.3
DFPI-160- ... -C1V-A		199	170					182		

Piston Ø [mm]	H3	KK	L1+	L5	L8	L9	WH	ZB+	⊖C1	Flange dimension to DIN 3358
DFPI-100- ... -C1V-A	21.2	M16x1.5	218.5	15	28.8	1	16	234.5	22	F07
DFPI-125- ... -C1V-A	21.2	M27x2	221	18	28.8	-	24	245	27	F10
DFPI-160- ... -C1V-A			227.5					251.5		

Piston Ø [mm]	AM -2	B1	D1 Ø	D2 Ø	D3 Ø	D4	D5 Ø	D6 Ø	H1	H2
DFPI-100- ... -C1V-P-A	32	131	109	G¼	70	M8	25	119	-	18.3
DFPI-125- ... -C1V-P-A	54	163	135	G¼	102	M10	32	147	-	18.3
DFPI-160- ... -C1V-P-A		199	170					182		

Piston Ø [mm]	H3	KK	L1+	L5	L8	L9	WH	ZB+	⊖C1	Flange dimension to DIN 3358
DFPI-100- ... -C1V-P-A	21.2	M16x1.5	218.5	15	48.8	1	16	234.5	22	F07
DFPI-125- ... -C1V-P-A	21.2	M27x2	221	18	48.8	-	24	245	27	F10
DFPI-160- ... -C1V-P-A			227.5					251.5		

Linear actuators DFPI-ND2P-C1V-...-A

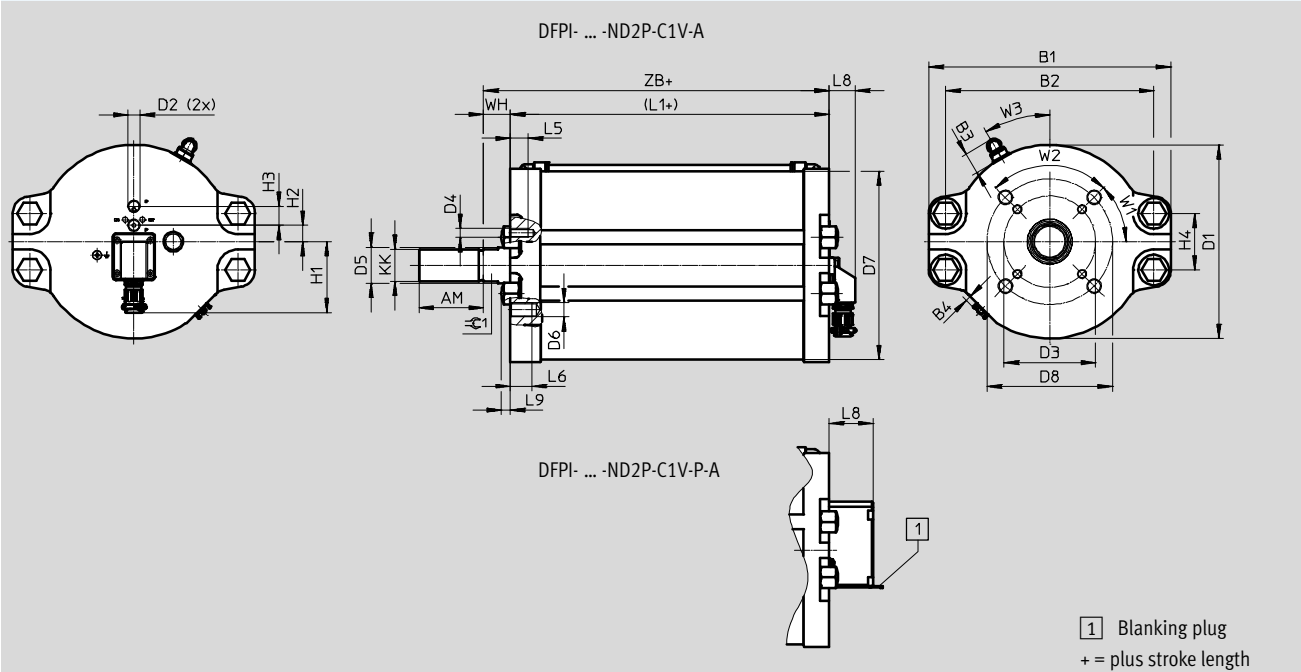
Technical data

FESTO

Dimensions

Download CAD data → www.festo.com

Piston Ø 200 ... 320



Piston Ø	AM	B1	B2	B3	B4	D1	D2	D3	D4	D5	D6	D7	D8	H1	H2
[mm]	-2					Ø		Ø		Ø		Ø min.	Ø	±2	
DFPI-200- ... -C1V-A	72	270	232	24.5	6.5	216	G¼	102	M10	40	M16	210	140	79	18.3
DFPI-250- ... -C1V-A	72	308	268	24.5	6.5	260	G¼	102	M10	40	M16	254	140	79	18.3
DFPI-320- ... -C1V-A		378	338			332						325			

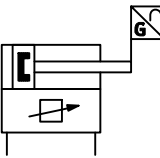
Piston Ø	H3	H4	KK	L1+	L5	L6	L8	L9	≈C1	WH	W1	W2	W3	ZB+	Flange dimension to DIN 3358
[mm]						min.									
DFPI-200- ... -C1V-A	21.2	63	M36x2	255.5	20	24	28.8	10	36	30	45°	90°	30°	285.5	F1014
DFPI-250- ... -C1V-A	21.2	82	M36x2	255	20	25	28.8	25	36	30	45°	90°	30°	285	F1014
DFPI-320- ... -C1V-A		126		262				-						292	

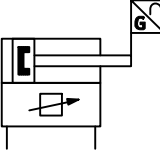
Piston Ø	AM	B1	B2	B3	B4	D1	D2	D3	D4	D5	D6	D7	D8	H2	H3
[mm]	-2					Ø		Ø		Ø		Ø min.	Ø		
DFPI-200- ... -C1V-P-A	72	270	232	24.5	6.5	216	G¼	102	M10	40	M16	210	140	18.3	21.2
DFPI-250- ... -C1V-P-A	72	308	268	24.5	6.5	260	G¼	102	M10	40	M16	254	140	18.3	21.2
DFPI-320- ... -C1V-P-A		378	338			332						325			


Piston Ø	H4	KK	L1+	L5	L6	L8	L9	≈C1	WH	W1	W2	W3	ZB+	Flange dimension to DIN 3358
[mm]					min.									
DFPI-200- ... -C1V-P-A	63	M36x2	255.5	20	24	48.8	10	36	30	45°	90°	30°	285.5	F1014
DFPI-250- ... -C1V-P-A	82	M36x2	255	20	25	48.8	25	36	30	45°	90°	30°	285	F1014
DFPI-320- ... -C1V-P-A	126		262				-						292	

Linear actuators DFPI-ND2P-C1V-...-A

Technical data

Ordering data			
Type	Piston Ø [mm]	Part No.	Type
	100	1548004	DFPI-100- ... -ND2P-C1V-A
	125	1548020	DFPI-125- ... -ND2P-C1V-A
	160	1548026	DFPI-160- ... -ND2P-C1V-A
	200	1548030	DFPI-200- ... -ND2P-C1V-A
	250	1548037	DFPI-250- ... -ND2P-C1V-A
	320	1548041	DFPI-320- ... -ND2P-C1V-A

Ordering data			
Type	Piston Ø [mm]	Part No.	Type
Variant with integrated displacement encoder and protected pneumatic and electrical connections			
	100	1548005	DFPI-100- ... -ND2P-C1V-P-A
	125	1548021	DFPI-125- ... -ND2P-C1V-P-A
	160	1548028	DFPI-160- ... -ND2P-C1V-P-A
	200	1548032	DFPI-200- ... -ND2P-C1V-P-A
	250	1548039	DFPI-250- ... -ND2P-C1V-P-A
	320	1548044	DFPI-320- ... -ND2P-C1V-P-A

-  - Note

Stroke length of the actuator

The stroke length of the actuator should generally at least correspond to the nominal diameter of the process valve so that the process valve can be fully opened and closed. The system tolerances can lead to a greater stroke range than the specified nominal stroke range of the linear actuator. During initialisation, the integrated position controller learns the stroke length used and ensures that the slide plate moves to the required positions in a controlled way – at most to the end positions learned during initialisation.

Linear actuators DFPI

Accessories

Connecting cable NHSB
for DFPI-ND2P-E-P-G2 and
DFPI-ND2P-C1V-P-A



General technical data			
Connecting cable	[mm ²]	3x 0.75	5x 0.75
Mounting position		Any	
Min. cable bending radius	[mm]	100	
Pneumatic connection		For tubing O.D. 8 mm	
		–	For tubing O.D. 10 mm

Operating and environmental conditions		
Ambient temperature	[°C]	–20 ... 60
Ambient temperature with flexible cable installation	[°C]	–5 ... 60
Operating voltage range DC	[V]	0 ... 30
Operating medium		Compressed air in accordance with ISO 8573-1:2010 [7:4:4]
Note on operating/pilot medium		Lubricated operation possible
Protection class		IP65, IP67, IP68, IP69K, NEMA 4 in assembled state
Exterior use		C1 – weather-protected areas
Relative air humidity	[%]	5 ... 100, condensing

Materials	
Protective conduit	PA
Conduit fitting	PA
Cable sheath	PVC
Seals	TPE
Note on materials	Contains PWIS (paint-wetting impairment substances), RoHS-compliant
RoHS status	RoHS-compliant in accordance with EU Directive

Linear actuators DFPI

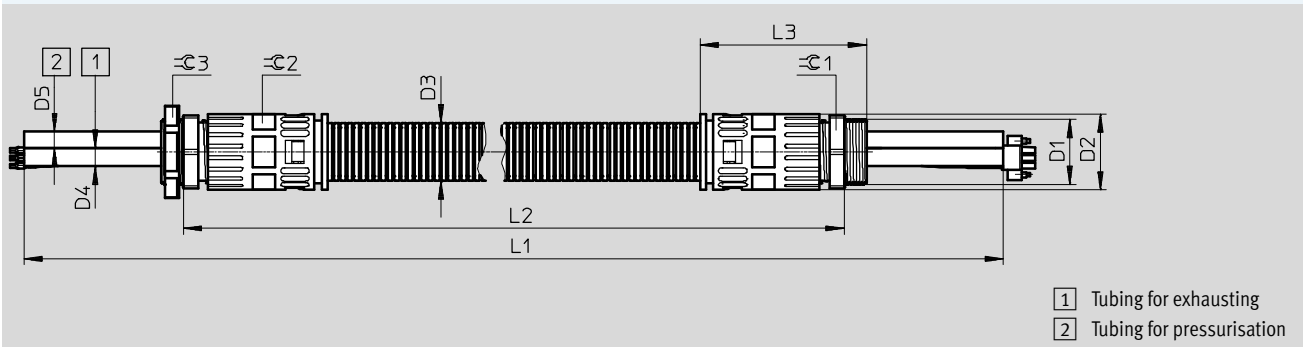
Accessories

FESTO

Dimensions

Download CAD data → www.festo.com

3-wire

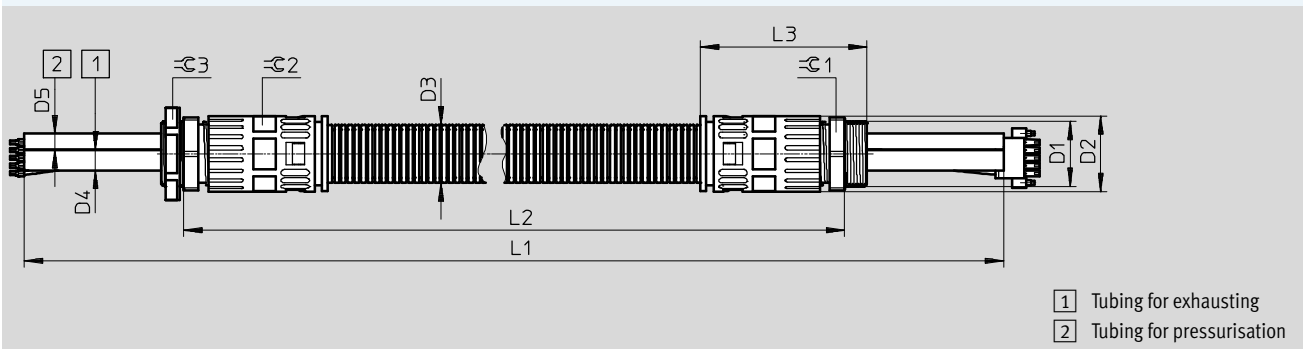


Type	D1	D2 Ø	D3 Ø	D4 Ø	D5 Ø	L1 ±25	L2 ±25	L3	≙C 1	≙C 2	≙C 3
NHSB-A1-5-BLG3-LE3-PU8-2xBB	M32x1.5	37	28.5	8	8	6,100	5,000	82	36	34	41
NHSB-A1-10-BLG3-LE3-PU8-2xBB						11,100	10,000				
NHSB-A1-15-BLG3-LE3-PU8-2xBB						16,100	15,000				
NHSB-A1-20-BLG3-LE3-PU8-2xBB						21,100	20,000				
NHSB-A1-25-BLG3-LE3-PU8-2xBB						26,100	25,000				
NHSB-A1-30-BLG3-LE3-PU8-2xBB						31,100	30,000				

Dimensions

Download CAD data → www.festo.com



5-wire



Type	D1	D2 Ø	D3 Ø	D4 Ø	D5 Ø	L1 ±25	L2 ±25	L3	≙C 1	≙C 2	≙C 3
NHSB-A1-5-BLG5-LE5-PU8-2xBB	M32x1.5	37	28.5	10	8	6,100	5,000	82	36	34	41
NHSB-A1-10-BLG5-LE5-PU8-2xBB						11,100	10,000				
NHSB-A1-15-BLG5-LE5-PU8-2xBB						16,100	15,000				
NHSB-A1-20-BLG5-LE5-PU8-2xBB						21,100	20,000				
NHSB-A1-25-BLG5-LE5-PU8-2xBB						26,100	25,000				
NHSB-A1-30-BLG5-LE5-PU8-2xBB						31,100	30,000				

Linear actuators DFPI


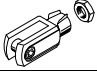
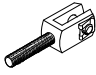
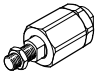
Accessories

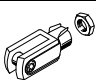
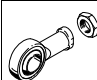
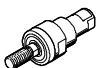
Ordering data – Connecting cable						Technical data → Internet: nhsb	
	Electrical connection 1	Electrical connection 2	Length [m]	Cable composition [mm ²]	Product weight [g]	Part No.	Type
3-wire, for DFPI- ... -ND2P-E-P							
	Straight plug, 3-pin	Open end, 3-wire	5	3x 0.75	1,250	1686608	NHSB-A1-5-BLG3-LE3-PU8-2XBB
			10		2,500	1686609	NHSB-A1-10-BLG3-LE3-PU8-2XBB
			15		3,750	1686610	NHSB-A1-15-BLG3-LE3-PU8-2XBB
			20		5,000	1686611	NHSB-A1-20-BLG3-LE3-PU8-2XBB
			25		6,250	1686612	NHSB-A1-25-BLG3-LE3-PU8-2XBB
			30		7,500	1686614	NHSB-A1-30-BLG3-LE3-PU8-2XBB
5-wire, for DFPI- ... -C1V-P							
	Straight plug, 5-pin	Open end, 5-wire	5	5x 0.75	1,250	1585793	NHSB-A1-5-BLG5-LE5-PU8-2XBB
			10		2,500	1585794	NHSB-A1-10-BLG5-LE5-PU8-2XBB
			15		3,750	1585795	NHSB-A1-15-BLG5-LE5-PU8-2XBB
			20		5,000	1585796	NHSB-A1-20-BLG5-LE5-PU8-2XBB
			25		6,250	1585797	NHSB-A1-25-BLG5-LE5-PU8-2XBB
			30		7,500	1585798	NHSB-A1-30-BLG5-LE5-PU8-2XBB

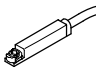
Linear actuators DFPI

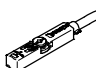
Accessories

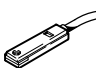
FESTO

Ordering data – Piston rod attachments				Technical data → Internet: piston rod attachment			
Designation	For Ø	Part No.	Type	Designation	For Ø	Part No.	Type
Rod eye SGS				Rod clevis SG			
	100	9263	SGS-M16x1,5		100	6146	SG-M16x1,5
	125, 160	10774	SGS-M27x2		125, 160	14987	SG-M27x2-B
	200, 250, 320	10775	SGS-M36x2		200, 250, 320	9581	SG-M36x2
Rod clevis SGA				Self-aligning rod coupler FK			
	100	10768	SGA-M16x1,5		100	6142	FK-M16x1,5
	125, 160	10770	SGA-M27x2		125, 160	10485	FK-M27x2
	200, 250, 320	10771	SGA-M36x2		200, 250, 320	10746	FK-M36x2

Ordering data – Piston rod attachments, corrosion-resistant				Technical data → Internet: crsg			
Designation	For Ø	Part No.	Type	Designation	For Ø	Part No.	Type
Rod eye CRSG				Rod clevis CRSGS			
	100	13571	CRSG-M16x1,5		100	19584	CRSGS-M16x1,5
	125, 160	185361	CRSG-M27x2		125, 160	19586	CRSGS-M27x2
Self-aligning rod coupler CRFK							
	100	2490673	CRFK-M16x1,5				

Ordering data – Proximity sensor for T-slot				Technical data → Internet: smt-8f		
	Switching output	Electrical connection		Cable length [m]	Part No.	Type
		Cable	Plug M8x1			
	NAMUR	Cable, 2-wire		5.0	536956	SMT-8F-I-8,2V-K5,0-OE-EX

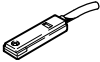
Ordering data – Proximity sensor for T-slot, magneto-resistive				Technical data → Internet: smt-8			
	Switching output	Electrical connection		Cable length [m]	Part No.	Type	
		Cable	Plug M8x1				
	N/O contact	PNP	3-wire	–	2.5	574335	SMT-8M-A-PS-24V-E-2,5-OE
				–	5.0	574336	SMT-8M-A-PS-24V-E-5,0-OE
			–	3-pin	0.3	574334	SMT-8M-A-PS-24V-E-0,3-M8D
		NPN	3-wire	–	2.5	574338	SMT-8M-A-PS-24V-E-2,5-OE
				–	5.0	574339	SMT-8M-A-PS-24V-E-5,0-OE
			–	3-pin	0.3	574339	SMT-8M-A-PS-24V-E-0,3-M8D

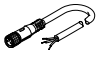


Ordering data – Proximity sensor for T-slot				Technical data → Internet: crsmt					
	Switching output	Electrical connection		Cable length [m]	Part No.	Type			
		Cable	Plug M8x1						
	PNP	Cable, 3-wire		2.5	525563	CRSMT-8-PS-K2,5-LED-24			
							5.0	525564	CRSMT-8-PS-K5-LED-24

Linear actuators DFPI


Accessories

FESTO

Ordering data – Proximity sensor for T-slot, magnetic reed				Technical data → Internet: sme		
Connection technology		Cable length [m]	Part No.	Type		
Cable	Cable with plug M8x1					
	N/O contact					
	Operating voltage range 0 ... 30 V AC/DC					
	3-wire	–	2.5	150855	SME-8-K-LED-24	
			5.0	175404	SME-8-K5-LED-24	
			7.5	530491	SME-8-K-7,5-LED-24	
	–	3-pin	0.3	150857	SME-8-S-LED-24	
	2-wire	–	2.5	171169	SME-8-ZS-KL-LED-24	
	Heat-resistant up to 120 °C					
	2-wire	–	2.5	161756	SME-8-K-24-S6	
	Operating voltage range 3 ... 250 V AC/DC					
2-wire	–	2.5	152820	SME-8-K-LED-230		
N/C contact						
3-wire	–	7.5	160251	SME-8-O-K-LED-24		

Ordering data – Connecting cable M8x1					Technical data → Internet: nebu	
Electrical connection, left		Electrical connection, right	Switching output	Cable length [m]	Part No.	Type
Basic design						
	Straight socket, M8x1, 3-pin	Cable, open end, 3-wire	–	2.5	541333	NEBU-M8G3-K-2.5-LE3
				5	541334	NEBU-M8G3-K-5-LE3
				10	541332	NEBU-M8G3-K-10-LE3
	Angled socket, M8x1, 3-pin	Cable, open end, 3-wire	–	2.5	541338	NEBU-M8W3-K-2.5-LE3
				5	541341	NEBU-M8W3-K-5-LE3
				10	541335	NEBU-M8W3-K-10-LE3
With switching status display						
	Angled socket, M8x1, 3-pin	Cable, open end, 3-wire	PNP	2.5	541337	NEBU-M8W5P-K-2.5-LE3
				5	541340	NEBU-M8W5P-K-5-LE3
			NPN	2.5	541336	NEBU-M8W5N-K-2.5-LE3
				5	541339	NEBU-M8W5N-K-5-LE3

Ordering data – Slot cover for T-slot			
Assembly	Length [m]	Part No.	Type
 Insertable from above	2x 0.5	151680	ABP-5-S

Ordering data – Cable clip SMBK-8		
	Part No.	Type
 For fixing the cable in the sensor slot	534254	SMBK-8