

Hinge cylinders DFAW



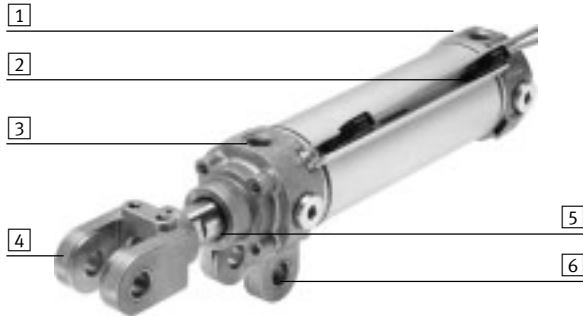
Hinge cylinders DFAW



Key features

At a glance

- Hinge cylinder for clamping components during the welding process
- Easy to mount thanks to swivel bearing on the bearing cap
- Sintered bronze bushes, as low-friction bearing material, on rod clevis and swivel bearing
- Integrated flow control
- Integrated, self-adjusting end-position cushioning (PPS)
- Rod wiper seal to protect against welding spatter
- Asian automotive standard for car body production

The technology in detail

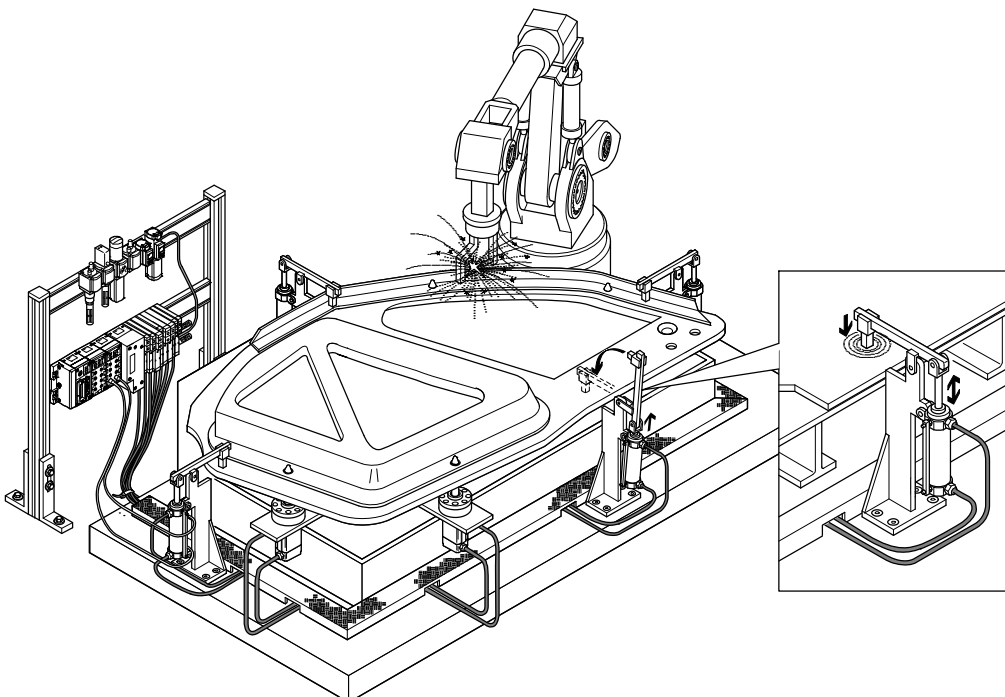


- 1** Adjustable, integrated flow control at both ends
 - 2** Sensing options:
 - Via sensor rail
 - Via mounting bracket
 - 3** Pneumatic connection options on 3 sides
 - 4** Choice of 4 rod clevis widths
 - 5** Metal wiper seal to protect against welding spatter
 - 6** Swivel bearing on the cylinder
-  Sensor rail with T-slot, for proximity sensor:
– SDBT-BSW
– SMT-8
-  Sensor rail with hexagonal design

Order options	Proximity sensor ¹⁾	Delivery time	→ Page
Via part number (stock items)			
Hinge cylinder with standard stroke	–	Short	10
Sensor rail with standard stroke	■	Short	11
Via modular product system			
Hinge cylinder	–	Long	13
Sensor rail (T-slot)	■	Long	14
Sensor rail (hexagonal design)	–	Long	15

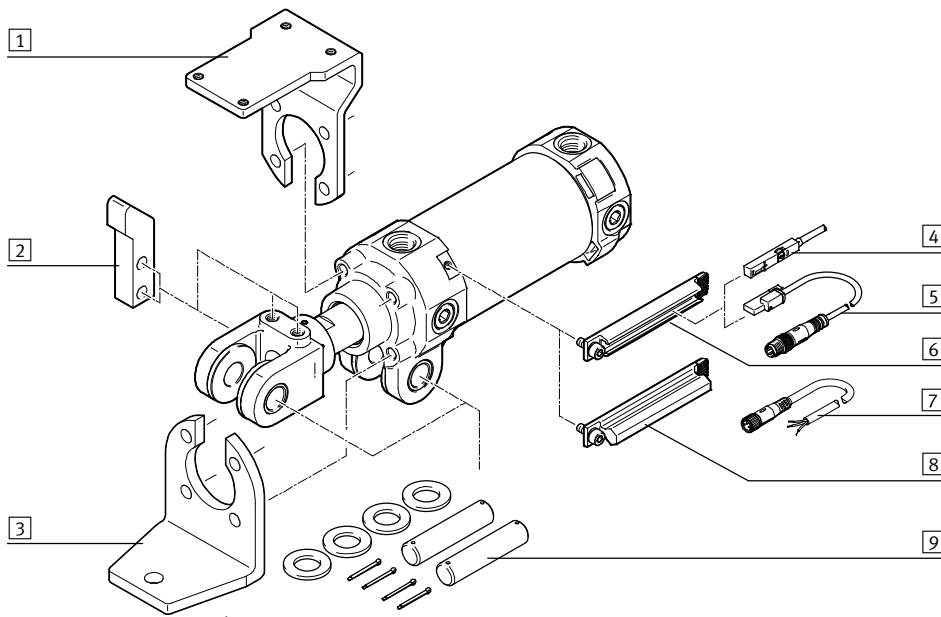
1) Optional: attached and adjusted to the end positions of the cylinder.

Use as a clamping cylinder



Hinge cylinders DFAW

Peripherals overview



Included in the scope of delivery of the cylinder:
 • Item 9

Accessories			
Type	Description	→ Page/Internet	
1	Mounting bracket TBH	For mounting external proximity sensors (e.g. roller lever switch)	16
2	Switch lever KTH	For sensing the piston rod position via external proximity sensors	16
3	Foot mounting HNH	For mounting the cylinder	16
4	Proximity sensor S6 ... S10 (SMT-8)	<ul style="list-style-type: none"> Proximity sensor with flat design for sensing the piston rod position The proximity sensors are already mounted and adjusted when they and the sensor rail are ordered via the modular product system (→ 14) 	17
5	Proximity sensor S1 ... S5 (SDBT-BSW)	<ul style="list-style-type: none"> Welding field immune proximity sensor for sensing the piston rod position The proximity sensors are already mounted and adjusted when they and the sensor rail are ordered via the modular product system (→ 14) 	17
6	Sensor rail N8	With T-slot, for mounting the proximity sensor SDBT-BSW or SMT-8	14
7	Connecting cable NEBU	For proximity sensor with plug	17
8	Sensor rail H	Hexagonal design	15
9	Mounting kit DAMD	<ul style="list-style-type: none"> For mounting the drive and attachments on the rod clevis The scope of delivery of the drive includes 2 bolts, 2 retaining pins and 4 washers 	17

Hinge cylinders DFAW

Type codes

Hinge cylinder DFAW

DFAW – 50 – 50 – B5 – PPS – A

Type

DFAW	Hinge cylinder
------	----------------

Piston Ø [mm]

...	50, 63, 80
-----	------------

Stroke [mm]

...	50, 75, 100, 125, 150
...	10 ... 200

Rod clevis gap/swivel bearing [mm]

B4	16.5
B5	18.5 (rod clevis), 16.5 (swivel bearing)
B6	19.5
B8	28

Cushioning

PPS	Pneumatic cushioning, self-adjusting at both ends
-----	--

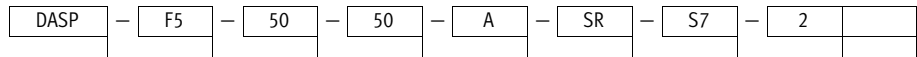
Position sensing

A	Via proximity sensor
---	----------------------

Hinge cylinders DFAW

Type codes

Accessory: Sensor rail DASP



Type	
DASP	Sensor rail

Allocation	
F5	Version for DFAW

Size	
...	50, 80

Stroke [mm]	
...	50, 75, 100, 125, 150
...	10 ... 200

Mounting component design	
A	With T-slot
H	Hexagonal

Product type	
SR	Sensor rail

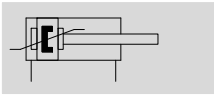
Proximity sensor, magneto-resistive	
-	None
S1	Welding field immune, N/O contact, 2-wire, 5.0 m
S2	Welding field immune, PNP, M12 plug, 3-wire, 0.3 m
S3	Welding field immune, NPN, M12 plug, 3-wire, 0.3 m
S4	Welding field immune, PNP, cable, 3-wire, 5.0 m
S5	Welding field immune, NPN, cable, 3-wire, 5.0 m
S6	PNP, M8 plug, 3-wire, 0.3 m
S7	PNP, cable, 3-wire, 2.5 m
S8	PNP, M12 plug, 3-wire, 0.3 m
S9	NPN, M8 plug, 3-wire, 0.3 m
S10	N/O contact, cable, 2-wire, 5.0 m, with ATEX certification



Number of proximity sensors	
-	None
1	One
2	Two

Mounting position of proximity sensor	
-	At both ends
F	Advanced end position
R	Retracted end position

Hinge cylinders DFAW

Technical data



-  Diameter
50 ... 80 mm
-  Stroke length
10 ... 200 mm



General technical data				
Piston Ø		50	63	80
Pneumatic connection		G1/4		G3/8
Piston rod thread		M16x1.5		M20x1.5
Piston rod end		Male thread with rod clevis		
Stroke	Standard	[mm]	50, 75, 100, 125, 150	
	Variable	[mm]	10 ... 200	
Rod clevis gap		[mm]	16.5, 18.5, 19.5	28
Design		Piston rod with rod clevis		
		Swivel mounting on bearing cap		
		Cylinder barrel		
		Piston		
Mode of operation		Double-acting		
		Pushing and pulling		
Type of mounting		Via swivel mounting on bearing cap		
		Via accessories		
Speed control		Integrated flow control at both ends		
Mounting position		Any		
Position sensing		Via proximity sensor		
Cushioning		Pneumatic cushioning, self-adjusting at both ends		
Cushioning length		[mm]	24	30

Operating and environmental conditions	
Operating medium	Compressed air to ISO 8573-1:2010 [7:4:4]
Note on operating/pilot medium	Lubricated operation possible (in which case lubricated operation will always be required)
Operating pressure	[bar] 1 ... 10
Ambient temperature	[°C] -10 ... +60

Weight [g]				
Piston Ø		50	63	80
Basic weight with 0 mm stroke		1103	1339	3406
Additional weight per 10 mm stroke		37	39	64
Moving mass with 0 mm stroke		539	600	1704
Additional weight per 10 mm stroke		25	25	39

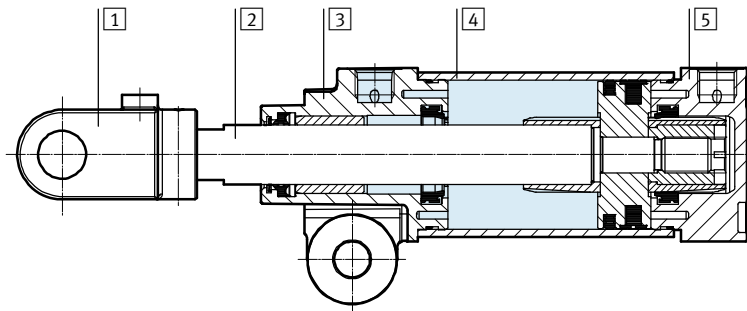
Hinge cylinders DFAW

Technical data

Forces [N] and impact energy [J]			
Piston Ø	50	63	80
Theoretical force at 6 bar, advancing	1178	1870	3016
Theoretical force at 6 bar, retracting	990	1682	2721
Impact energy in the end positions	0.24	0.76	0.84

Materials

Sectional view



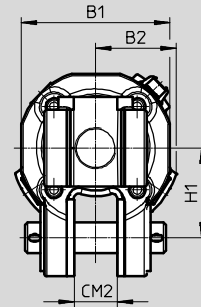
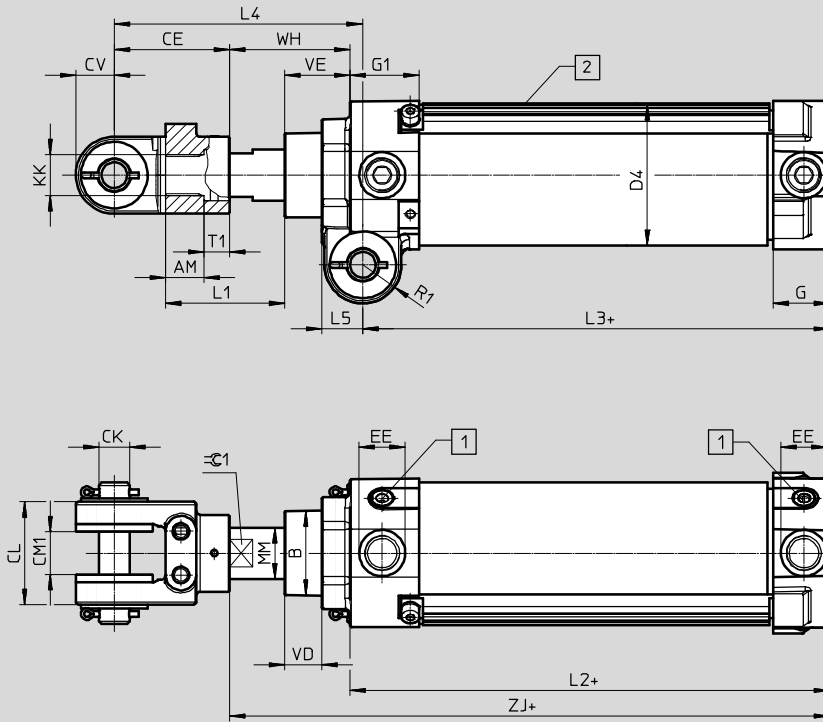
Hinge cylinder			
Piston Ø	50	63	80
1	Rod clevis	Anodised die-cast aluminium	Cast steel
2	Piston rod	Hard-chromium plated tempered steel	
3	Bearing cap with mounting	Anodised die-cast aluminium	
4	Cylinder barrel	Anodised wrought aluminium alloy	
5	End cap	Anodised die-cast aluminium	
-	Inside of rod clevis, swivel bearing	Sintered bronze	
	Wiper seal	Bronze	
	Seals	NBR	
	Note on materials	RoHS-compliant	

Hinge cylinders DFAW

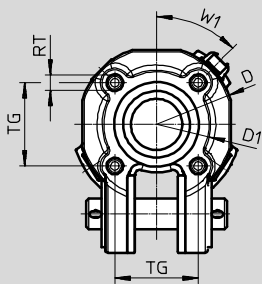
Technical data

Dimensions

Download CAD data → www.festo.com



Shown without rod clevis



- + = plus stroke length
- 1 Integrated flow control for speed control
- 2 Sensor rail for proximity sensor

Hinge cylinders DFAW

Technical data

∅ [mm]	AM	B ∅	B1	B2	CE	CK ∅	CL	CM1			
								DFAW-...-			
								B4	B5	B6	B8
50	15	33	58	32	45	12	40	16.5	18.5	19.5	-
63			71	43							
80	19	46	89	52	58	18	60	-	-	-	28

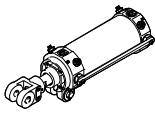
∅ [mm]	CM2				CV	D ∅	D1 ∅	D4 ∅	EE
	DFAW-...-								
	B4	B5	B6	B8					
50	16.5	16.5	19.5	-	15	61	42	55	G $\frac{1}{4}$
63						75		69	
80	-	-	-	28	19	93	60	87	G $\frac{3}{8}$

∅ [mm]	G	G1	H1 ±0.1	KK	L1	L2	L3 +0.7/-0.4	L4 +1.5/-2	L5	MM ∅											
											50	22	27	35	M16x1.5	46.5	87	82	97	16	20
											63										
80	34	31.5	50	M20x1.5	43	131.5	128	110	20	25											

∅ [mm]	R1	RT	T1	TG	VD	VE	W1	WH	ZJ	≈ 1											
											50	15	M6	10	32.5	14.5	25.5	45°	47	134	17
											63										
80	20	M6	11	32.5	19	35.5	45°	48.5	180	19											

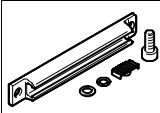
Hinge cylinders DFAW

Technical data

Ordering data – Hinge cylinder (stock item)							
	Piston Ø [mm]	Stroke [mm]	Rod clevis gap/swivel bearing		Rod clevis gap/swivel bearing		
			Part No.	Type	Part No.	Type	
	50		16.5 mm		18.5 mm (swivel bearing 16.5 mm)		
		50	2689548	DFAW-50-50-B4-PPSA	2689550	DFAW-50-50-B5-PPSA	
		75	2689552	DFAW-50-75-B4-PPSA	2689553	DFAW-50-75-B5-PPSA	
		100	2689555	DFAW-50-100-B4-PPSA	2689556	DFAW-50-100-B5-PPSA	
		125	2689559	DFAW-50-125-B4-PPSA	2689560	DFAW-50-125-B5-PPSA	
		150	2689562	DFAW-50-150-B4-PPSA	2689563	DFAW-50-150-B5-PPSA	
			19.5 mm				
		50	2689551	DFAW-50-50-B6-PPSA			
		75	2689554	DFAW-50-75-B6-PPSA			
		100	2689557	DFAW-50-100-B6-PPSA			
		125	2689561	DFAW-50-125-B6-PPSA			
	150	2689564	DFAW-50-150-B6-PPSA				
	63			16.5 mm		18.5 mm (swivel bearing 16.5 mm)	
		50	2690075	DFAW-63-50-B4-PPSA	2690096	DFAW-63-50-B5-PPSA	
		75	2690098	DFAW-63-75-B4-PPSA	2690099	DFAW-63-75-B5-PPSA	
		100	2690101	DFAW-63-100-B4-PPSA	2690102	DFAW-63-100-B5-PPSA	
		125	2690104	DFAW-63-125-B4-PPSA	2690105	DFAW-63-125-B5-PPSA	
		150	2690107	DFAW-63-150-B4-PPSA	2690108	DFAW-63-150-B5-PPSA	
			19.5 mm				
50		2690097	DFAW-63-50-B6-PPSA				
75		2690100	DFAW-63-75-B6-PPSA				
100		2690103	DFAW-63-100-B6-PPSA				
125		2690106	DFAW-63-125-B6-PPSA				
150	2690109	DFAW-63-150-B6-PPSA					
80			28 mm				
	50	2691530	DFAW-80-50-B8-PPSA				
	75	2691531	DFAW-80-75-B8-PPSA				
	100	2691532	DFAW-80-100-B8-PPSA				
	125	2691533	DFAW-80-125-B8-PPSA				
	150	2691534	DFAW-80-150-B8-PPSA				

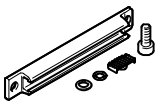
Hinge cylinders DFAW

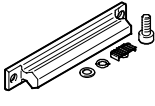
Technical data

Ordering data – Sensor rail (stock item)								
Design	For \varnothing [mm]	Stroke [mm]	Proximity sensor, welding field immune		For end position		Part No.	Type
			N/O contact, 2-wire	PNP, 3-wire	Advanced	Retracted		
With T-slot								
	50, 63	50	–	–	–	–	8031580	DASP-F5-50-50-A-SR
			■	–	■	–	8031590	DASP-F5-50-50-A-SR-S1-1F
			■	–	–	■	8031595	DASP-F5-50-50-A-SR-S1-1R
			■	–	■	■	8031585	DASP-F5-50-50-A-SR-S1-2
			–	■	■	–	8031605	DASP-F5-50-50-A-SR-S4-1F
			–	■	–	■	8031610	DASP-F5-50-50-A-SR-S4-1R
		–	■	■	■	8031600	DASP-F5-50-50-A-SR-S4-2	
		75	–	–	–	–	8031581	DASP-F5-50-75-A-SR
			■	–	■	–	8031591	DASP-F5-50-75-A-SR-S1-1F
			■	–	–	■	8031596	DASP-F5-50-75-A-SR-S1-1R
			■	–	■	■	8031586	DASP-F5-50-75-A-SR-S1-2
			–	■	■	–	8031606	DASP-F5-50-75-A-SR-S4-1F
			–	■	–	■	8031611	DASP-F5-50-75-A-SR-S4-1R
		–	■	■	■	8031601	DASP-F5-50-75-A-SR-S4-2	
		100	–	–	–	–	8031582	DASP-F5-50-100-A-SR
			■	–	■	–	8031592	DASP-F5-50-100-A-SR-S1-1F
			■	–	–	■	8031597	DASP-F5-50-100-A-SR-S1-1R
			■	–	■	■	8031587	DASP-F5-50-100-A-SR-S1-2
			–	■	■	–	8031607	DASP-F5-50-100-A-SR-S4-1F
			–	■	–	■	8031612	DASP-F5-50-100-A-SR-S4-1R
		–	■	■	■	8031602	DASP-F5-50-100-A-SR-S4-2	
		125	–	–	–	–	8031583	DASP-F5-50-125-A-SR
			■	–	■	–	8031593	DASP-F5-50-125-A-SR-S1-1F
			■	–	–	■	8031598	DASP-F5-50-125-A-SR-S1-1R
	■		–	■	■	8031588	DASP-F5-50-125-A-SR-S1-2	
	–		■	■	–	8031608	DASP-F5-50-125-A-SR-S4-1F	
	–		■	–	■	8031613	DASP-F5-50-125-A-SR-S4-1R	
	–	■	■	■	8031603	DASP-F5-50-125-A-SR-S4-2		
	150	–	–	–	–	8031584	DASP-F5-50-150-A-SR	
		■	–	■	–	8031594	DASP-F5-50-150-A-SR-S1-1F	
		■	–	–	■	8031599	DASP-F5-50-150-A-SR-S1-1R	
		■	–	■	■	8031589	DASP-F5-50-150-A-SR-S1-2	
		–	■	■	–	8031609	DASP-F5-50-150-A-SR-S4-1F	
		–	■	–	■	8031614	DASP-F5-50-150-A-SR-S4-1R	
	–	■	■	■	8031604	DASP-F5-50-150-A-SR-S4-2		

Hinge cylinders DFAW

Technical data

Ordering data – Sensor rail accessories (stock items)									
Design	For Ø [mm]	Stroke [mm]	Proximity sensor, welding field immune		For end position		Part No.	Type	
			N/O contact, 2-wire	PNP, 3-wire	Advanced	Retracted			
With T-slot									
	80	50	-	-	-	-	8031580	DASP-F5-80-50-A-SR	
			■	-	■	-	8031625	DASP-F5-80-50-A-SR-S1-1F	
			■	-	-	■	8031630	DASP-F5-80-50-A-SR-S1-1R	
			■	-	■	■	8031620	DASP-F5-80-50-A-SR-S1-2	
			-	■	■	-	8031640	DASP-F5-80-50-A-SR-S4-1F	
			-	■	-	■	8031645	DASP-F5-80-50-A-SR-S4-1R	
		-	■	■	■	8031635	DASP-F5-80-50-A-SR-S4-2		
		-	75	-	-	-	-	8031581	DASP-F5-80-75-A-SR
		■		-	■	-	8031626	DASP-F5-80-75-A-SR-S1-1F	
		■		-	-	■	8031631	DASP-F5-80-75-A-SR-S1-1R	
		■		-	■	■	8031621	DASP-F5-80-75-A-SR-S1-2	
		-		■	■	-	8031641	DASP-F5-80-75-A-SR-S4-1F	
		-		■	-	■	8031646	DASP-F5-80-75-A-SR-S4-1R	
		-	■	■	■	8031636	DASP-F5-80-75-A-SR-S4-2		
		-	100	-	-	-	-	8031582	DASP-F5-80-100-A-SR
		■		-	■	-	8031627	DASP-F5-80-100-A-SR-S1-1F	
		■		-	-	■	8031632	DASP-F5-80-100-A-SR-S1-1R	
		■		-	■	■	8031622	DASP-F5-80-100-A-SR-S1-2	
	-	■		■	-	8031642	DASP-F5-80-100-A-SR-S4-1F		
	-	■		-	■	8031647	DASP-F5-80-100-A-SR-S4-1R		
	-	■	■	■	8031637	DASP-F5-80-100-A-SR-S4-2			
	-	125	-	-	-	-	8031583	DASP-F5-80-125-A-SR	
	■		-	■	-	8031628	DASP-F5-80-125-A-SR-S1-1F		
	■		-	-	■	8031633	DASP-F5-80-125-A-SR-S1-1R		
	■		-	■	■	8031623	DASP-F5-80-125-A-SR-S1-2		
	-		■	■	-	8031643	DASP-F5-80-125-A-SR-S4-1F		
	-		■	-	■	8031648	DASP-F5-80-125-A-SR-S4-1R		
	-	■	■	■	8031638	DASP-F5-80-125-A-SR-S4-2			
	-	150	-	-	-	-	8031584	DASP-F5-80-150-A-SR	
	■		-	■	-	8031594	DASP-F5-80-150-A-SR-S1-1F		
■	-		-	■	8031599	DASP-F5-80-150-A-SR-S1-1R			
■	-		■	■	8031589	DASP-F5-80-150-A-SR-S1-2			
-	■		■	-	8031644	DASP-F5-80-150-A-SR-S4-1F			
-	■		-	■	8031649	DASP-F5-80-150-A-SR-S4-1R			
-	■	■	■	8031639	DASP-F5-80-150-A-SR-S4-2				

Ordering data – Sensor rail (stock item)				
Design	For Ø [mm]	Stroke [mm]	Part No.	Type
Hexagonal				
	50, 63	50	8031838	DASP-F5-50-50-H-SR
		75	8031839	DASP-F5-50-75-H-SR
		100	8031840	DASP-F5-50-100-H-SR
		125	8031841	DASP-F5-50-125-H-SR
		150	8031842	DASP-F5-50-150-H-SR
	80	50	8031844	DASP-F5-80-50-H-SR
		75	8031845	DASP-F5-80-75-H-SR
		100	8031846	DASP-F5-80-100-H-SR
		125	8031847	DASP-F5-80-125-H-SR
		150	8031848	DASP-F5-80-150-H-SR

Hinge cylinders DFAW

Ordering data – Modular product

Ordering table – Hinge cylinder DFAW

Size	50	63	80	Conditions	Code	Enter code
[M] Module no.	2676213	2682302	2682335			
Series	Hinge cylinder				DFAW	DFAW
Piston Ø [mm]	50	63	80		-...	
Stroke [mm]	50, 75, 100, 125, 150 10 ... 200				-...	
Rod clevis gap [mm]	16.5	-	-		-B4	
	18.5/16.5	-	-		-B5	
	19.5	-	-		-B6	
	-	28	-		-B8	
Cushioning	Pneumatic cushioning, self-adjusting at both ends				-PPS	-PPS
↓ Position sensing	Via proximity sensor				A	A

Transfer order code

	-	DFAW	-		-		-		-	PPS	-	A
--	---	-------------	---	--	---	--	---	--	---	------------	---	----------

Hinge cylinders DFAW

Accessories

Ordering table – Sensor rail with T-slot

Size	50 For Ø 50/63	80 For Ø 80	Conditions	Code	Enter code
M Module no.	2749270	2785658			
Series	Sensor rail			DASP	DASP
Allocation	Version for DFAW			-F5	-F5
Size [mm]	50	80		-...	
Stroke [mm]	50, 75, 100, 125, 150 10 ... 200			-...	
Mounting component design	With T-slot			-A	-A
Product type	Sensor rail			-SR	-SR
O Proximity sensor, magneto-resistive	None				
	Welding field immune, N/O contact, 2-wire, 5.0 m			-S1	
	Welding field immune, PNP, M12 plug, 3-wire, 0.3 m			-S2	
	Welding field immune, NPN, M12 plug, 3-wire, 0.3 m			-S3	
	Welding field immune, PNP, cable, 3-wire, 5.0 m			-S4	
	Welding field immune, NPN, cable, 3-wire, 5.0 m			-S5	
	PNP, M8 plug, 3-wire, 0.3 m			-S6	
	PNP, cable, 3-wire, 2.5 m			-S7	
	PNP, M12 plug, 3-wire, 0.3 m			-S8	
	NPN, M8 plug, 3-wire, 0.3 m			-S9	
	EX2, N/O contact, 2-wire, 5.0 m			-S10	
Number of proximity sensors	None				
	One		<input type="checkbox"/>	-1	
	Two		<input type="checkbox"/>	-2	
Mounting position of proximity sensor	At both ends				
	Advanced end position		<input type="checkbox"/>	F	
	Retracted end position		<input type="checkbox"/>	R	

1, 2, F, R Only with S1 ... S10

Transfer order code

Hinge cylinders DFAW

Accessories

Ordering table – Sensor rail, hexagonal design

Size	50 For DFAW-50/-63	80 For DFAW-80	Conditions	Code	Enter code
[M] Module no.	2747377	2785652			
Series	Sensor rail			DASP	DASP
Allocation	Version for DFAW			-F5	-F5
Size [mm]	50	80		-...	
Stroke [mm]	50, 75, 100, 125, 150 10 ... 200			-...	
Mounting component design	Hexagonal			-H	-H
Product type	Sensor rail			-SR	-SR

Transfer order code

-
 -
 -
 -
 -

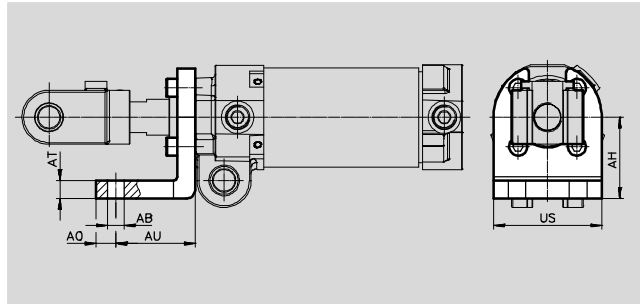
Hinge cylinders DFAW

Accessories

Foot mounting HNH

Materials:
Steel

Scope of delivery:
4 screws

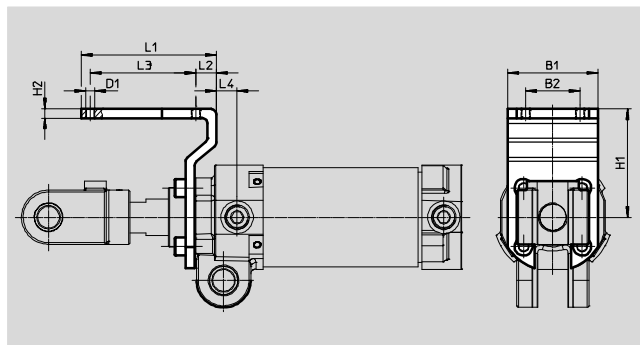


Dimensions and ordering data										Weight	Part No.	Type
For \varnothing	AB	AH	AO	AT	AU	US				[g]		
	\varnothing											
50, 63, 80	9	45	11	10	44	60				241	549603	HNH-50/63/80

Mounting bracket TBH

Materials:
Steel

Scope of delivery:
4 screws, short
4 screws, long

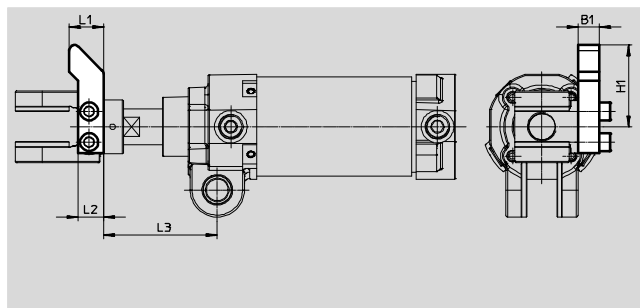


Dimensions and ordering data											Weight	Part No.	Type
For \varnothing	B1	B2	D1	H1	H2	L1	L2	L3	L4		[g]		
50, 63	50	30.2	M5	60	5	75	11.3	58.7	11.5		282	549605	TBH-50/63/80
80									37				

Switch lever KTH

Materials:
Steel

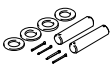
Scope of delivery:
2 screws

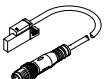


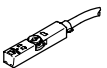
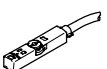
Dimensions and ordering data							Weight	Part No.	Type
For \varnothing	B1	H1	L1	L2	L3		[g]		
50, 63	12	45.3	19	14	63		83	549607	KTH-50/63/80
80					68.5				


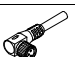

Hinge cylinders DFAW

Accessories

Ordering data – Mounting kit						
	Scope of delivery	For \varnothing	Weight [g]	Part No.	Type	
	2 bolts, 2 retaining pins and 4 washers	50, 63	117	573323	DAMD-F5-S-50	
		80	362	573172	DAMD-F5-S-80	

Ordering data – Proximity sensor for T-slot, magneto-resistive, welding field immune							Technical data → Internet: sdbt	
	Type of mounting	Switching output	Electrical connection	Cable length [m]	Order code	Part No.	Type	
N/O contact								
	Insertable in the slot from above	Non-contacting	Cable, 2-wire	5.0	S1	2427617	SDBT-BSW-1L-ZU-W-5-N-LE	
			PNP	Plug M12x1, 3-pin	0.3	S2	2476855	SDBT-BSW-1L-PU-W-0.3-N-M12
		NPN	Plug M12x1, 3-pin	0.3	S3	2427615	SDBT-BSW-1L-NU-W-0.3-N-M12	
		PNP	Cable, 3-wire	5.0	S4	2427616	SDBT-BSW-1L-PU-W-5-N-LE	
		NPN	Cable, 3-wire	5.0	S5	2427618	SDBT-BSW-1L-NU-W-5-N-LE	

Ordering data – Proximity sensor for T-slot, magneto-resistive							Technical data → Internet: smt	
	Type of mounting	Switching output	Electrical connection	Cable length [m]	Order code	Part No.	Type	
N/O contact								
	Insertable in the slot from above, flush with the cylinder profile, short design	PNP	Cable, 3-wire	2.5	S7	574335	SMT-8M-A-PS-24V-E-2,5-OE	
			Plug M8x1, 3-pin	0.3	S6	574334	SMT-8M-A-PS-24V-E-0,3-M8D	
			Plug M12x1, 3-pin	0.3	S8	574337	SMT-8M-A-PS-24V-E-0,3-M12	
		NPN	Plug M8x1, 3-pin	0.3	S9	574339	SMT-8M-A-NS-24V-E-0,3-M8D	
N/O contact, ATEX-compliant								
	Insertable in the slot from above, flush with the cylinder profile, short design	Non-contacting	Cable, 2-wire	5.0	S10	574341	SMT-8M-A-ZS-24V-E-5,0-OE-EX2	

Ordering data – Connecting cables						Technical data → Internet: nebu	
	Electrical connection, left	Electrical connection, right	Cable length [m]	Part No.	Type		
	Straight socket, M8x1, 3-pin	Cable, open end, 3-wire	2.5	541333	NEBU-M8G3-K-2.5-LE3		
			5	541334	NEBU-M8G3-K-5-LE3		
	Angled socket, M8x1, 3-pin	Cable, open end, 3-wire	2.5	541338	NEBU-M8W3-K-2.5-LE3		
			5	541341	NEBU-M8W3-K-5-LE3		
	Angled socket, M12x1, 5-pin	Cable, open end, 3-wire	2.5	541363	NEBU-M12G5-K-2.5-LE3		
			5	541364	NEBU-M12G5-K-5-LE3		