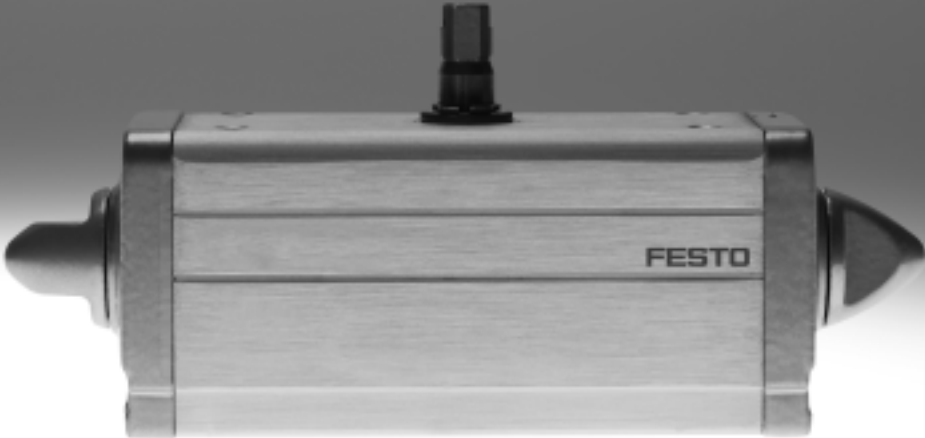


Quarter turn actuators DAPS

FESTO





Quarter turn actuators DAPS


Key features

FESTO

General DAPS → Page 11, 26

 Size
0008 ... 8000

 Torque
8 ... 8,000 Nm

 Swivel angle
0 ... 90°


The quarter turn actuators DAPS are specially tailored to the requirements of the process industry. The torque is generated via a scotch yoke mechanism, which helps to overcome the valve's high breakaway torques. Given their robustness and graduated torques, the quarter turn actuators DAPS are predominantly used to control valves through which various media flow and whose angle of rotation is limited to 90°, e.g. ball valves and butterfly valves.


- Compact design
- Torque characteristics adapted to the process valves
- For the same housing size, the single-acting drive has half the torque of the double-acting drive
- Low wearing thanks to the simple and robust mechanical system
- Adjustable swivel angle
- Selected types in accordance with ATEX directive for potentially explosive atmospheres
→ www.festo.com/en/ex


- Port pattern to NAMUR VDI/VDE 3845 for attaching solenoid valves




High-temperature version DAPS T4 → Page 11, 26

 Size
0015 ... 0960

 Torque
15 ... 960 Nm

 Swivel angle
0 ... 90°


 Temperature range
-20 ... +150 °C


The high temperature version of the quarter turn actuator DAPS-T4 is specifically designed for the requirements for controlling process valves used with hot media flows.


- Compact design
- Torque characteristics adapted to process valves
- The single-acting drive has half the torque of the double-acting drive for the same housing size
- Low wear thanks to the simple and robust mechanical system
- Adjustable swivel angle

- Selected types in accordance with ATEX directive for potentially explosive atmospheres
→ www.festo.com/en/ex
- Port pattern to NAMUR VDI/VDE 3845 for attaching solenoid valves

Stainless steel variant DAPS CR → Page 43

 Size
0015 ... 0480

 Torque
15 ... 480 Nm

 Swivel angle
0 ... 90°

Single-acting and double-acting quarter turn actuators DAPS in stainless steel are used for automating fittings with a 90° swivel angle. The single-acting variant comes in different spring strengths for different supply pressures.


- Low wearing thanks to the simple and robust mechanical system
- Torque characteristics adapted to the process valves
- Selected types in accordance with ATEX directive for potentially explosive atmospheres
→ www.festo.com/en/ex


- Port pattern to NAMUR VDI/VDE 3845 for attaching solenoid valves



Variant with handwheel DAPS MW → Page 56

 Size
0106 ... 1920

 Torque
106 ... 1920 Nm

 Swivel angle
0 ... 90°

The position of the process valve or actuator can be manually adjusted using the handwheel when the supply pressure is switched off. The handwheel therefore acts as a manual emergency override.

- Low wearing thanks to the simple and robust mechanical system
- Torque characteristics adapted to the process valves
- Selected types in accordance with ATEX directive for potentially explosive atmospheres
→ www.festo.com/en/ex

- Port pattern to NAMUR VDI/VDE 3845 for attaching solenoid valves



Quarter turn actuators DAPS, double-acting

Product range overview

Flange hole pattern – Connection dimensions to DIN ISO 5211 and NAMUR VDI/VDE 3845										
Connection	F03	F03	F04	F04	F05	F05	F05	F07	F07	Shaft height
Square	V11	V11	V11	V14	V11	V14	V17	V14	V17	
DAPS-0008-...-F03	■	-	-	-	-	-	-	-	-	20
DAPS-0015-...-F03	-	■	-	-	-	-	-	-	-	20
DAPS-0015-...-F04	-	-	■	-	-	-	-	-	-	20
DAPS-0030-...-F0305	-	■	-	-	■	-	-	-	-	20
DAPS-0030-...-F04	-	-	■	-	-	-	-	-	-	20
DAPS-0060-...-F04	-	-	-	■	-	-	-	-	-	20
DAPS-0060-...-F0507	-	-	-	-	-	■	-	■	-	20
DAPS-0106-...-F0507	-	-	-	-	-	-	■	-	■	20
Hole pattern for NAMUR accessories	30	30	30	30	30	30	30	30	30	
	30	80	80	80	80	80	80	80	80	

Flange hole pattern – Connection dimensions to DIN ISO 5211 and NAMUR VDI/VDE 3845													
Connection	F07	F10	F10	F12	F10	F12	F12	F14	F14	F16	F16	F25	Shaft height
Square	V22	V22	V27	V27	V36	V36	V46	V36	V46	V46	V46	V55	
DAPS-0180-...-F0710	■	■	-	-	-	-	-	-	-	-	-	-	30
DAPS-0240-...-F0710	■	■	-	-	-	-	-	-	-	-	-	-	30
DAPS-0360-...-F0710	■	■	-	-	-	-	-	-	-	-	-	-	30
DAPS-0480-...-F1012	-	-	■	■	-	-	-	-	-	-	-	-	30
DAPS-0720-...-F1012	-	-	■	■	-	-	-	-	-	-	-	-	30
DAPS-0960-...-F1012	-	-	-	-	■	■	-	-	-	-	-	-	30
DAPS-0960-...-F12	-	-	-	-	-	■	-	-	-	-	-	-	30
DAPS-0960-...-F14	-	-	-	-	-	-	-	■	-	-	-	-	30
DAPS-1440-...-F12	-	-	-	-	-	■	-	-	-	-	-	-	30
DAPS-1440-...-F14	-	-	-	-	-	-	-	■	-	-	-	-	30
DAPS-1920-...-F14	-	-	-	-	-	-	-	-	■	-	-	-	30
DAPS-1920-...-F1216	-	-	-	-	-	-	■	-	-	■	-	-	30
DAPS-2880-...-F16	-	-	-	-	-	-	-	-	-	-	■	-	30
DAPS-3840-...-F16	-	-	-	-	-	-	-	-	-	-	■	-	30
DAPS-5760-...-F25	-	-	-	-	-	-	-	-	-	-	-	■	30
DAPS-8000-...-R-F25	-	-	-	-	-	-	-	-	-	-	-	■	30
Hole pattern for NAMUR accessories	30	30	30	30	30	30	30	30	30	30	30	30	
	80	80	80	80	80	80	80	80	80	80	130	130	

Quarter turn actuators DAPS, single-acting



Product range overview

Flange hole pattern – Connection dimensions to DIN ISO 5211 and NAMUR VDI/VDE 3845									
Connection	F03	F04	F04	F05	F05	F05	F07	F07	Shaft height
Square	V11	V11	V14	V11	V14	V17	V14	V17	
DAPS-0015-...-F0305	■	-	-	■	-	-	-	-	20
DAPS-0015-...-F04	-	■	-	-	-	-	-	-	20
DAPS-0030-...-F04	-	-	■	-	-	-	-	-	20
DAPS-0030-...-F0507	-	-	-	-	■	-	■	-	20
DAPS-0053-...-F0507	-	-	-	-	-	■	-	■	20
Hole pattern for NAMUR accessories	30	30	30	30	30	30	30	30	
	80	80	80	80	80	80	80	80	

Flange hole pattern – Connection dimensions to DIN ISO 5211 and NAMUR VDI/VDE 3845												
Connection	F07	F10	F10	F12	F10	F12	F12	F14	F14	F16	F16	Shaft height
Square	V22	V22	V27	V27	V36	V36	V46	V36	V46	V46	V46	
DAPS-0090-...-F0710	■	■	-	-	-	-	-	-	-	-	-	30
DAPS-0120-...-F0710	■	■	-	-	-	-	-	-	-	-	-	30
DAPS-0180-...-F0710	■	■	-	-	-	-	-	-	-	-	-	30
DAPS-0240-...-F1012	-	-	■	■	-	-	-	-	-	-	-	30
DAPS-0360-...-F1012	-	-	■	■	-	-	-	-	-	-	-	30
DAPS-0480-...-F1012	-	-	-	-	■	■	-	-	-	-	-	30
DAPS-0480-...-F12	-	-	-	-	-	■	-	-	-	-	-	30
DAPS-0480-...-F14	-	-	-	-	-	-	-	■	-	-	-	30
DAPS-0720-...-F12	-	-	-	-	-	■	-	-	-	-	-	30
DAPS-0720-...-F14	-	-	-	-	-	-	-	■	-	-	-	30
DAPS-0960-...-F14	-	-	-	-	-	-	-	-	■	-	-	30
DAPS-0960-...-F1216	-	-	-	-	-	-	■	-	-	■	-	30
DAPS-1440-...-F16	-	-	-	-	-	-	-	-	-	-	■	30
DAPS-1920-...-F16	-	-	-	-	-	-	-	-	-	-	■	30
DAPS-2880-...-F16	-	-	-	-	-	-	-	-	-	-	■	30
DAPS-4000-...-RS1-F25	-	-	-	-	-	-	-	-	-	-	■	30
DAPS-4000-...-RS2-F25	-	-	-	-	-	-	-	-	-	-	■	30
DAPS-4000-...-RS3-F25	-	-	-	-	-	-	-	-	-	-	■	30
DAPS-4000-...-RS4-F25	-	-	-	-	-	-	-	-	-	-	■	30
Hole pattern for NAMUR accessories	30	30	30	30	30	30	30	30	30	30	30	
	80	80	80	80	80	80	80	80	80	80	130	

Quarter turn actuators DAPS CR

Product range overview

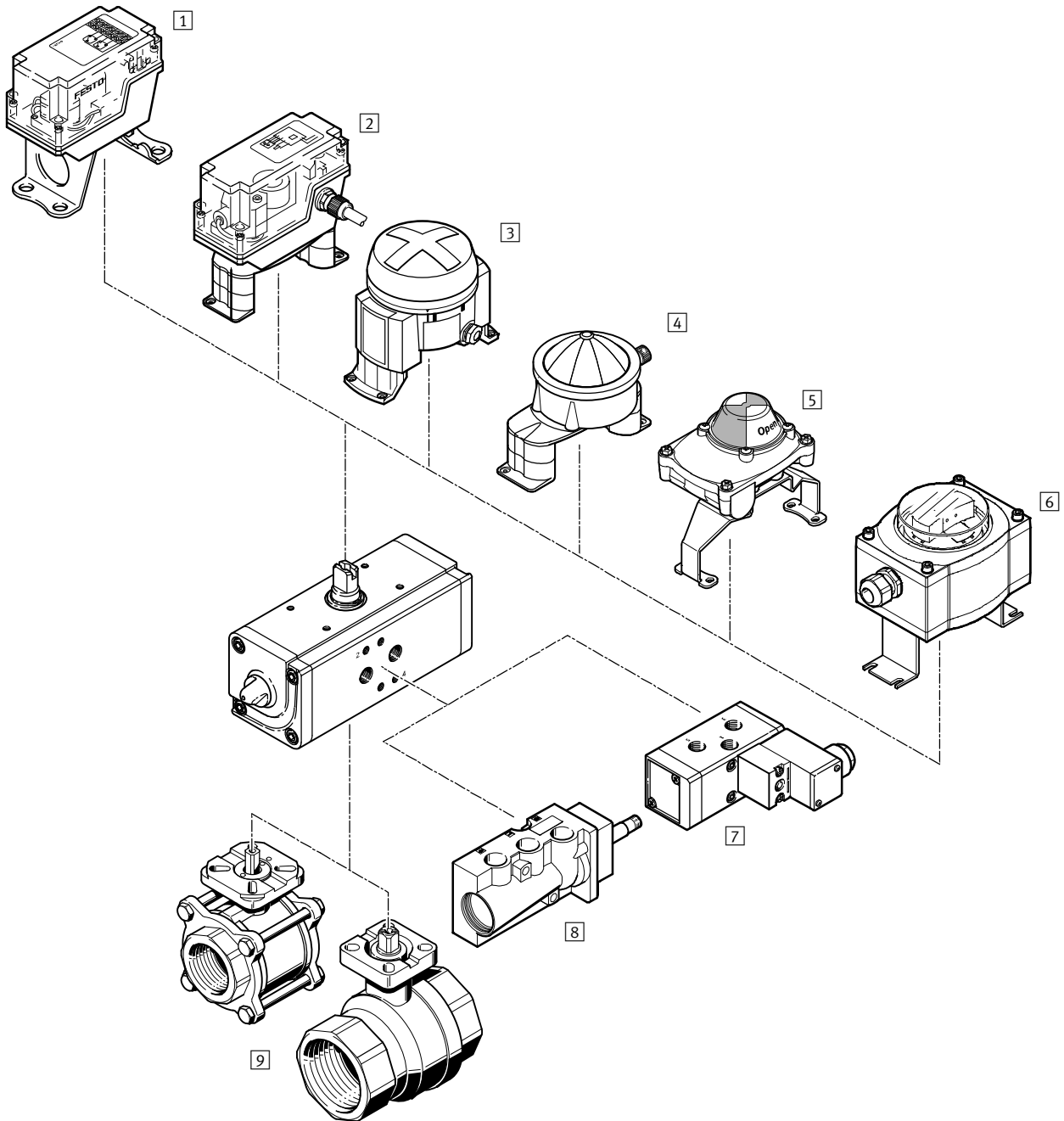
DAPS CR, double-acting											
Flange hole pattern – Connection dimensions to DIN ISO 5211 and NAMUR VDI/VDE 3845											
Connection	F03	F03	F05	F05	F05	F07	F07	F07	F10	F10	Shaft height
Square	V09	V11	V11	V14	V17	V14	V17	V22	V17	V22	
DAPS-0015-...-R-F03-CR	■	-	-	-	-	-	-	-	-	-	20 mm
DAPS-0030-...-R-F03-CR	■	-	-	-	-	-	-	-	-	-	20 mm
DAPS-0060-...-R-F0305-CR	-	■	■	-	-	-	-	-	-	-	20 mm
DAPS-0120-...-R-F0507-CR	-	-	-	■	-	■	-	-	-	-	30 mm
DAPS-0240-...-R-F0507-CR	-	-	-	-	■	-	■	-	-	-	30 mm
DAPS-0480-...-R-F0710-CR	-	-	-	-	-	-	-	■	-	■	30 mm
Hole pattern for NAMUR accessories	25	25	25	30	30	30	30	30	30	30	
	50	50	50	80	80	80	80	80	80	80	

DAPS CR, single-acting											
Flange hole pattern – Connection dimensions to DIN ISO 5211 and NAMUR VDI/VDE 3845											
Connection	F03	F03	F05	F05	F05	F07	F07	F07	F10	F10	Shaft height
Square	V09	V11	V11	V14	V17	V14	V17	V22	V17	V22	
DAPS-0015-...-RS1-F03-CR	■	-	-	-	-	-	-	-	-	-	20 mm
DAPS-0015-...-RS2-F03-CR	■	-	-	-	-	-	-	-	-	-	20 mm
DAPS-0015-...-RS3-F03-CR	■	-	-	-	-	-	-	-	-	-	20 mm
DAPS-0015-...-RS4-F03-CR	■	-	-	-	-	-	-	-	-	-	20 mm
DAPS-0030-...-RS1-F03-CR	-	■	■	-	-	-	-	-	-	-	20 mm
DAPS-0030-...-RS2-F03-CR	-	■	■	-	-	-	-	-	-	-	20 mm
DAPS-0030-...-RS3-F03-CR	-	■	■	-	-	-	-	-	-	-	20 mm
DAPS-0030-...-RS4-F03-CR	-	■	■	-	-	-	-	-	-	-	20 mm
DAPS-0060-...-RS1-F0305-CR	-	-	-	■	-	■	-	-	-	-	30 mm
DAPS-0060-...-RS2-F0305-CR	-	-	-	■	-	■	-	-	-	-	30 mm
DAPS-0060-...-RS3-F0305-CR	-	-	-	■	-	■	-	-	-	-	30 mm
DAPS-0060-...-RS4-F0305-CR	-	-	-	■	-	■	-	-	-	-	30 mm
DAPS-0120-...-RS1-F0507-CR	-	-	-	-	■	-	■	-	-	-	30 mm
DAPS-0120-...-RS2-F0507-CR	-	-	-	-	■	-	■	-	-	-	30 mm
DAPS-0120-...-RS3-F0507-CR	-	-	-	-	■	-	■	-	-	-	30 mm
DAPS-0120-...-RS4-F0507-CR	-	-	-	-	■	-	■	-	-	-	30 mm
DAPS-0240-...-RS1-F0507-CR	-	-	-	-	-	-	-	■	-	■	30 mm
DAPS-0240-...-RS1-F0507-CR	-	-	-	-	-	-	-	■	-	■	30 mm
DAPS-0240-...-RS1-F0507-CR	-	-	-	-	-	-	-	■	-	■	30 mm
DAPS-0240-...-RS1-F0507-CR	-	-	-	-	-	-	-	■	-	■	30 mm
Hole pattern for NAMUR accessories	25	25	25	30	30	30	30	30	30	30	
	50	50	50	80	80	80	80	80	80	80	

Quarter turn actuators DAPS

Peripherals overview

FESTO



Quarter turn actuators DAPS

Peripherals overview

Mounting attachments and accessories		
	Brief description	→ Page/Internet
1	Limit switch attachment QH-DR-E	qh-dr-e
2	Limit switch attachment DAPZ	dapz
3	Limit switch attachment DAPZ	dapz
4	Limit switch attachment DAPZ	dapz
5	Limit switch attachment SRBF	srbf
6	Sensor box SRBP, SRAP	srbp, srap
7	Solenoid valve MFH ¹⁾	mfh
	Solenoid valve MN1H ¹⁾	mn1h
	Solenoid valve MGTBH ¹⁾	mgtbh
8	Solenoid valve NVF3 ¹⁾	nvf3
9	Ball valve VAPB	vapb

1) Direct mounting of solenoid valves only possible from size 0015 onwards

Quarter turn actuators DAPS

Type codes DAPS

DAPS – 0240 – 090 – R S 4 – F10 –

Type	
DAPS	Quarter turn actuator
Size	
0008	Nominal torque 8 Nm
0015	Nominal torque 15 Nm
0030	Nominal torque 30 Nm
0053	Nominal torque 53 Nm
0060	Nominal torque 60 Nm
0090	Nominal torque 90 Nm
0106	Nominal torque 106 Nm
0120	Nominal torque 120 Nm
0180	Nominal torque 180 Nm
0240	Nominal torque 240 Nm
0360	Nominal torque 360 Nm
0480	Nominal torque 480 Nm
0720	Nominal torque 720 Nm
0960	Nominal torque 960 Nm
1440	Nominal torque 1440 Nm
1920	Nominal torque 1920 Nm
2880	Nominal torque 2880 Nm
3840	Nominal torque 3840 Nm
4000	Nominal torque 4000 Nm
5760	Nominal torque 5760 Nm
8000	Nominal torque 8000 Nm
Swivel angle	
090	90°
Closing direction	
R	Closes to right
Mode of operation	
	Double-acting
S	Single-acting
Spring strength	
–	Not applicable for double-acting
1	For connection pressure 2.8 bar
2	For connection pressure 3.5 bar
3	For connection pressure 4.2 bar
4	For connection pressure 5.6 bar
1st flange hole pattern	
F03	Flange hole pattern F03
F04	Flange hole pattern F04
F05	Flange hole pattern F05
F07	Flange hole pattern F07
F10	Flange hole pattern F10
F12	Flange hole pattern F12
F14	Flange hole pattern F14
F16	Flange hole pattern F16
F25	Flange hole pattern F25

Quarter turn actuators DAPS

Type codes DAPS

		12	-		-	
2nd flange hole pattern						
05	Flange hole pattern F05					
07	Flange hole pattern F07					
10	Flange hole pattern F10					
12	Flange hole pattern F12					
16	Flange hole pattern F16					
Manual override						
MW	With handwheel					
Temperature range						
-	Standard (-20 °C ... +80 °C)					
T4	-20 °C ... +150 °C					
T6	-50 °C ... +60 °C					

Quarter turn actuators DAPS CR

Type codes DAPS CR

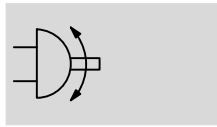
DAPS - 0015 - 090 - R S 4 - F03 - 05 - CR


Type	
DAPS	Quarter turn actuator for process automation
Nominal torque in Nm	
0015	15 Nm
0030	30 Nm
0060	60 Nm
0120	120 Nm
0240	240 Nm
0480	480 Nm
Swivel angle in degrees	
90	90°
Closing direction	
R	Closes to right
Mode of operation	
S	Single-acting
Spring strength	
1	Spring strength for connection pressure 2.8 bar
2	Spring strength for connection pressure 3.5 bar
3	Spring strength for connection pressure 4.2 bar
4	Spring strength for connection pressure 5.6 bar
1st flange hole pattern	
F03	Flange hole pattern 03
F05	Flange hole pattern 05
F07	Flange hole pattern 07
2nd flange hole pattern	
05	Flange hole pattern 05
07	Flange hole pattern 07
10	Flange hole pattern 10
Special design	
CR	Stainless steel

Quarter turn actuators DAPS, double-acting

Technical data


Function




 Swivel angle
0 ... 90°

Wearing parts kits
→ 24



 Size
0008 ... 8000

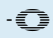
 Torque
8 ... 8,000 Nm

General technical data						
Size	0008	0015 ... 0360	0480 ... 0960	1440 ... 1920	2880 ... 5760	8000
Pneumatic connection	G $\frac{1}{8}$	G $\frac{1}{8}$	G $\frac{1}{4}$	G $\frac{1}{4}$	G $\frac{3}{8}$	G $\frac{3}{8}$
Design	Scotch yoke system					
Mode of operation	Double-acting					
Mounting position	Any					
Position sensing	None					
Cushioning	No cushioning					
Swivel angle	[°]	90				
End-position adjusting range at 0°						
DAPS ... R- ...	[°]	-	-1 ... +9		±5	
DAPS ... R- ... T4	[°]	-	-1 ... +9	-		
DAPS ... R- ... T6	[°]	-	-1 ... +9		±5	-
End-position adjusting range at 90°						
DAPS ... R- ...	[°]	-			85 ... 95	
DAPS ... R- ... T4	[°]	-				
DAPS ... R- ... T6	[°]	-			85 ... 95	-
Closing direction	Closes to right					

Operating and environmental conditions							
Size	0008	0015 ... 0360	0480 ... 0960	1440 ... 1920	2880 ... 5760	8000	
Nominal operating pressure	[bar]	5.6					
Operating pressure							
DAPS ... R- ...	[bar]	1 ... 8.4				1 ... 7	
DAPS ... R- ... T4	[bar]	3 ... 8.4			-		
DAPS ... R- ... T6	[bar]	3 ... 8.4					
Operating medium	Compressed air to ISO 8573-1:2010 [7:4:4]						
Note on operating/pilot medium	Lubricated operation possible (in which case lubricated operation will always be required)						
Ambient temperature							
DAPS ... R- ...	[°C]	-20 ... +80					
DAPS ... R- ... T4	[°C]	-	-20 ... +150		-		
DAPS ... R- ... T6	[°C]	-	-50 ... +60			-	
Corrosion resistance class CRC ¹⁾	3						
Connection to process valve as per standard	ISO 5211						
Valve connection as per standard	VDI/VDE 3845 (NAMUR)						

1) Corrosion resistance class 3 according to Festo standard 940 070

Components subject to high corrosion stress. Externally visible parts with primarily functional surface requirements which are in direct contact with a normal industrial environment or media such as solvents and cleaning agents.

 **New**
High-temperature T4

Quarter turn actuators DAPS, double-acting

FESTO

Technical data

ATEX		
ATEX category for gas		II 2G
Type of (ignition) protection for gas		c TX X
ATEX category for dust		II 2D
Type of (ignition) protection dust		c TX X
Explosion ambient temperature	Standard	$-20\text{ °C} \leq T_a \leq +60\text{ °C}$
	Variant T4	$-20\text{ °C} \leq T_a \leq +150\text{ °C}$
	Variant T6	$-50\text{ °C} \leq T_a \leq +60\text{ °C}$
CE marking (see declaration of conformity)		To EU Explosion Protection Directive (ATEX)

Air consumption [l/cycle] at 6 bar			
Size		Size	
DAPS-0008	0.4	DAPS-0720	24.5
DAPS-0015	0.72	DAPS-0960	48
DAPS-0030	1.44	DAPS-1440	53.2
DAPS-0060	3	DAPS-1920	96
DAPS-0106	5.04	DAPS-2880	140
DAPS-0180	8.64	DAPS-3840	170.1
DAPS-0240	12	DAPS-5760	266
DAPS-0360	17.4	DAPS-8000	300
DAPS-0480	24		

Weight [g]			
Size		Size	
DAPS-0008	300	DAPS-0720	12,000
DAPS-0015	750	DAPS-0960	17,400
DAPS-0030	1,000	DAPS-1440	23,000
DAPS-0060	1,600	DAPS-1920	32,000
DAPS-0106	2,500	DAPS-2880	56,000
DAPS-0180	4,600	DAPS-3840	49,000
DAPS-0240	5,400	DAPS-5760	86,000
DAPS-0360	6,500	DAPS-8000	106,000
DAPS-0480	9,600		

Materials			
Quarter turn actuators			Material number
Housing		Wrought aluminium alloy	–
Cap		Wrought aluminium alloy	–
Shaft		High-alloy steel	1.4305
External screws		High-alloy steel	–
Seals	Standard	FPM, NBR, PUR	–
	T4	FPM, PTFE-reinforced	–
	T6	FVMQ, PTFE-reinforced	–
Note on materials	Standard	RoHS-compliant	–
	T4	Contains paint-wetting impairment substances, RoHS-compliant	–
	T6	Contains paint-wetting impairment substances, RoHS-compliant	–

Quarter turn actuators DAPS, double-acting

Technical data

Actual torque [Nm] as a function of operating pressure [bar] and swivel angle [°]									
Size	Swivel angle [°]	Operating pressure [bar]							
		2.5	3	4	5	5.6	6	7	8
DAPS-0008	0	3.1	3.8	5	6.3	7	7.5	8.8	10
	50	1.6	1.9	2.5	3.1	3.5	3.8	4.4	5
	90	3.1	3.8	5	6.3	7	7.5	8.8	10
DAPS-0015	0	6.7	8	10.7	13.4	15	16.1	18.8	21.4
	50	3.3	4	5.4	6.7	7.5	8	9.4	10.7
	90	5	6	8.1	10.1	11.3	12.1	14.1	16.1
DAPS-0030	0	13.4	16.1	21.4	26.8	30	32.1	37.5	42.9
	50	6.7	8	10.7	13.4	15	16.1	18.8	21.4
	90	10	12	16.1	20.1	22.5	24.1	28.1	32.1
DAPS-0060	0	26.8	32.1	42.9	53.6	60	64.3	75	85.7
	50	13.4	16.1	21.4	26.8	30	32.1	37.5	42.9
	90	20.1	24.1	32.1	40.2	45	48.2	56.3	64.3
DAPS-0106	0	47.5	57	76	95	106	114	133	151
	50	23.5	28	38	47	53	57	66	76
	90	35.5	43	57	71	80	86	100	114
DAPS-0180	0	80.4	96	128.4	160.8	180	193.2	225.6	264.8
	50	40.2	48	64.8	80.4	90	96	112.8	128.4
	90	60.6	72	97.2	121.2	135	145.2	169.2	193.2
DAPS-0240	0	107.1	128.6	171.4	214.3	240	257.1	300	342.9
	50	53.5	64.3	85.7	107.1	120	128.6	150	171.4
	90	80.3	96.4	128.6	160.7	180	192.9	225	257.1
DAPS-0360	0	160.8	192	256.8	321.6	360	386.4	451.2	513.6
	50	80.4	96	129.6	160.8	180	192	225.6	264.8
	90	121.2	144	194.4	242.4	270	290.4	338.4	386.4
DAPS-0480	0	214.3	257.1	342.9	428.6	480	514.3	600	685.7
	50	107.1	128.6	171.4	214.3	240	257.1	300	342.9
	90	160.7	192.9	257.1	321.4	360	358.7	450	514.3
DAPS-0720	0	321.4	384	513.6	643.2	720	772.8	902.4	1,027.2
	50	160.7	192	259.2	321.6	360	384	451.2	529.6
	90	241	288.1	388.8	484.8	540	580.8	676.8	772.8
DAPS-0960	0	428.6	514.3	685.7	857.1	960	1,028.6	1,200	1,371.4
	50	214.3	257.1	342.9	428.6	480	514.3	600	685.7
	90	321.4	385.7	514.3	642.9	720	771.4	900	1,028.6
DAPS-1440	0	642.8	768	1,027.2	1,286.4	1,440	1,545.6	1,804.8	2,057.4
	50	321.4	384	518.4	643.2	720	768	902.4	1,059.2
	90	482.1	576	777.6	969.9	1,080	1,161.6	1,353.6	1,545.6
DAPS-1920	0	857.1	1,028.6	1,371.4	1,714.3	1,920	2,057.1	2,400	2,742.9
	50	428.6	514.3	685.8	857.1	960	1,028.6	1,200	1,371.4
	90	642.9	771.4	1,028.6	1,285.7	1,440	1,542.9	1,800	2,057.1
DAPS-2880	0	1,285	1,542	2,057	2,571	2,880	3,085	3,600	4,114
	50	642	771	1,028	1,285	1,440	1,542	1,800	2,057
	90	856	1,028	1,371	1,741	1,920	2,056	2,400	2,742
DAPS-3840	0	1,714	2,057	2,743	3,428	3,840	4,114	4,800	5,485
	50	857	1,028	1,371	1,714	1,920	2,057	2,400	2,742
	90	1,285	1,543	2,057	2,571	2,880	3,085	3,600	4,114
DAPS-5760	0	2,571	3,085	4,114	5,142	5,760	6,171	7,200	8,228
	50	1,285	1,542	2,057	2,571	2,880	3,085	3,600	4,141
	90	1,928	2,313	3,085	3,856	4,320	4,628	5,400	6,171
DAPS-8000	0	3,571.4	4,285.7	5,714.3	7,142.9	8,000	8,571.4	10,000	-
	50	1,785.7	2,142.9	2,857.1	3,571.4	4,000	4,285.7	5,000	-
	90	2,678.6	3,214.3	4,285.7	5,357.1	6,000	6,428.6	7,500	-

Torque for size at 5.6 bar and swivel angle 0°

Quarter turn actuators DAPS, double-acting

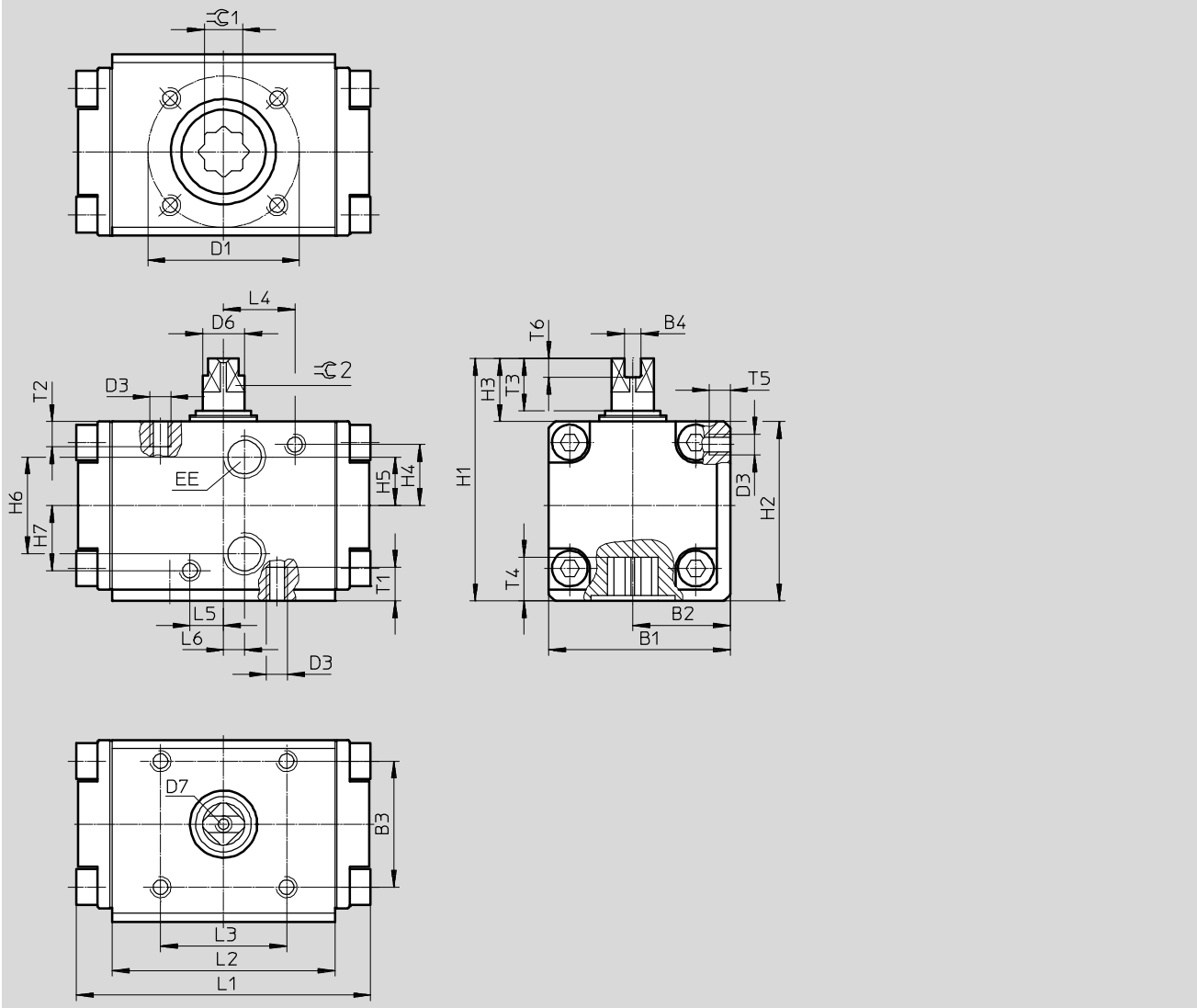
Technical data

FESTO

Dimensions

Download CAD data → www.festo.com

Size 0008



Quarter turn actuators DAPS, double-acting

Technical data

Size	B1	B2	B3	B4 +0.1	D1 ∅	D3	D6 ∅	D7	EE	H1	H2	H3	H4	H5	H6
DAPS-008-...	43.2	23.2	30	4	36	M5	10	M6	G1/8	57.7	42.7	15	14.5	11.5	23

Size	H7	L1	L2	L3	L4	L5	L6	T1	T2	T3	T4	T5	T6 +0.5	⌀ 1 H11	⌀ 2 h11
DAPS-008-...	15.5	70	53	30	17	8	5	8	6	12.4	10.1	5	4.5	9	8

New
High-temperature T4

Quarter turn actuators DAPS, double-acting

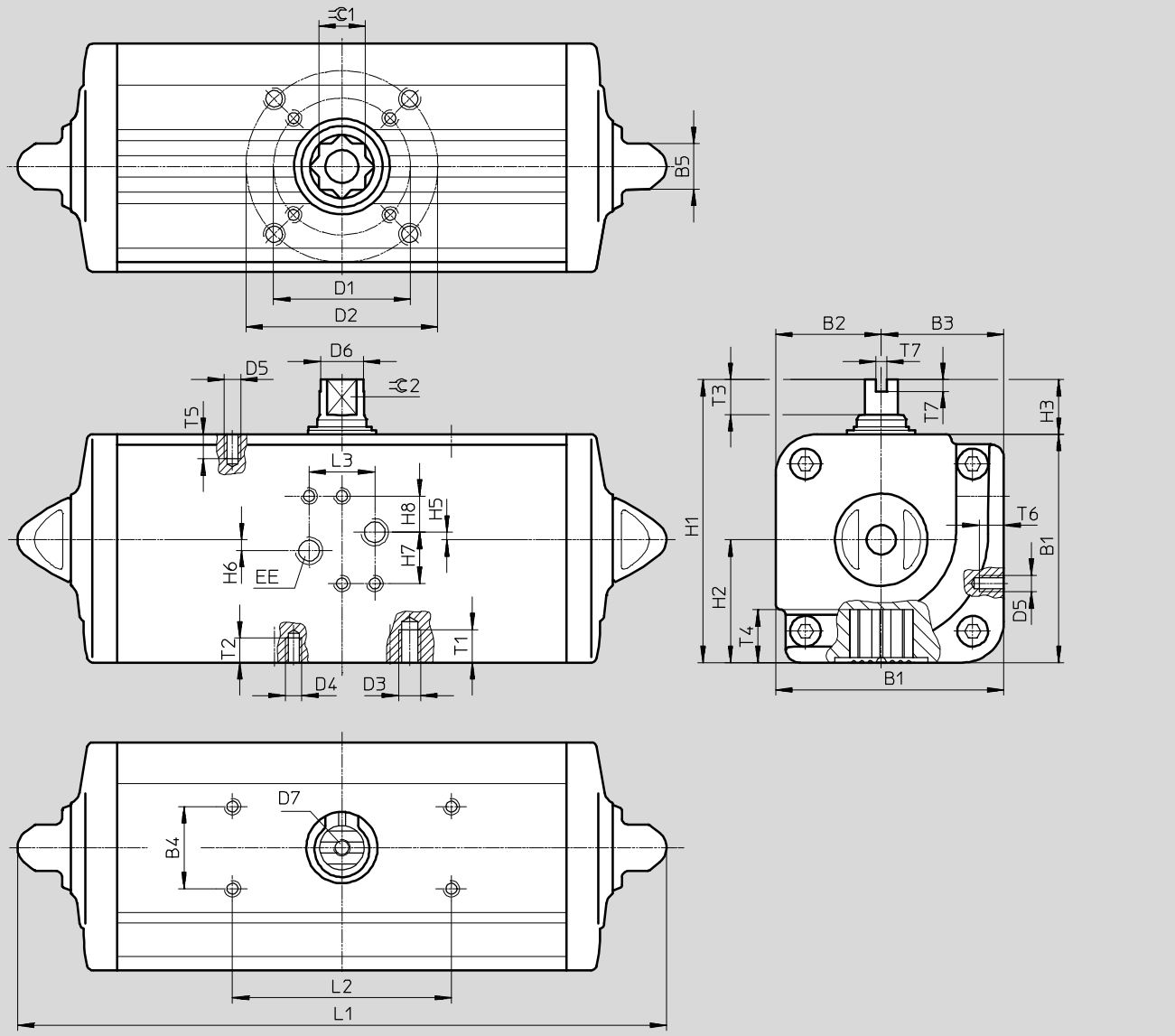
Technical data

FESTO

Dimensions

Download CAD data → www.festo.com

DAPS-0015-090-...-T4



Quarter turn actuators DAPS, double-acting

FESTO

Technical data

Size	B1	B2	B3	B4	B5	D1 ∅ ±0.1	D2 ∅ ±0.1	D3	D4	D5	D6 ∅	D7	EE	H1	H2	H3					
DAPS-0015-...-F03	52.2	24.2	28	30	13	36	-	-	M5	M5	9.2	M6	G $\frac{1}{8}$	72.2	28	20					
DAPS-0015-...-F04						42	-	-	M5												
DAPS-0030-...-F0305	59.2	27.7	31.5		13	36	50	M6	M5		10.9			14.5	16.2	20.2	22.5	25.5	79.2	31.5	20
DAPS-0030-...-F04						42	-	-	M5												
DAPS-0060-...-F04	70.4	32.7	37.7		13	42	-	-	M5		M5			14.5	16.2	20.2	22.5	25.5	90.4	37.7	20
DAPS-0060-...-F0507						50	70	M8	M6												
DAPS-0106-...-F0507	83.3	38.5	44.8		17	50	70	M8	M6		M5			M5	16.2	20.2	22.5	25.5	103.3	44.8	20
DAPS-0180-...-F0710	107.5	51	56.5		22	70	102	M10	M8		M5			M5	20.2	22.5	25.5	137.5	56.5	30	
DAPS-0240-...-F0710	111.1	51	60.1		22	70	102	M10	M8		M5			M5	22.5	25.5	25.5	141.1	60.1	30	
DAPS-0360-...-F0710	118	56	62		22	70	102	M10	M8		M5			M5	25.5	25.5	25.5	148	62	30	

Size	H5	H6	H7	H8	L1 ±2	L2	L3	T1	T2	T3	T4	T5	T6	T7	≈C 1	≈C 2							
DAPS-0015-...-F03	0.8	3.2	18	14	159	80	24	-	8	10	13.2	6	7	4	11	8							
DAPS-0015-...-F04								9	8	10	13.2												
DAPS-0030-...-F0305	0.8	3.2						174	198	80	24				-	8	13	16.5	6	7	4	14	10
DAPS-0030-...-F04															-	9	13	16.5					
DAPS-0060-...-F04	-	4						237.1	289.9	80	24				-	8	13	19.3	6	7	4	17	12
DAPS-0060-...-F0507															12	9	13	19.3					
DAPS-0106-...-F0507	-	4						313.6	339.3	80	24				12	9	13	19.3	6	7	4	22	15
DAPS-0180-...-F0710															15	12	16	24.8					
DAPS-0240-...-F0710	-	4						313.6	339.3	80	24				15	12	17	24.8	6	7	4	22	15
DAPS-0360-...-F0710															15	12	19	24.3					

Quarter turn actuators DAPS, double-acting

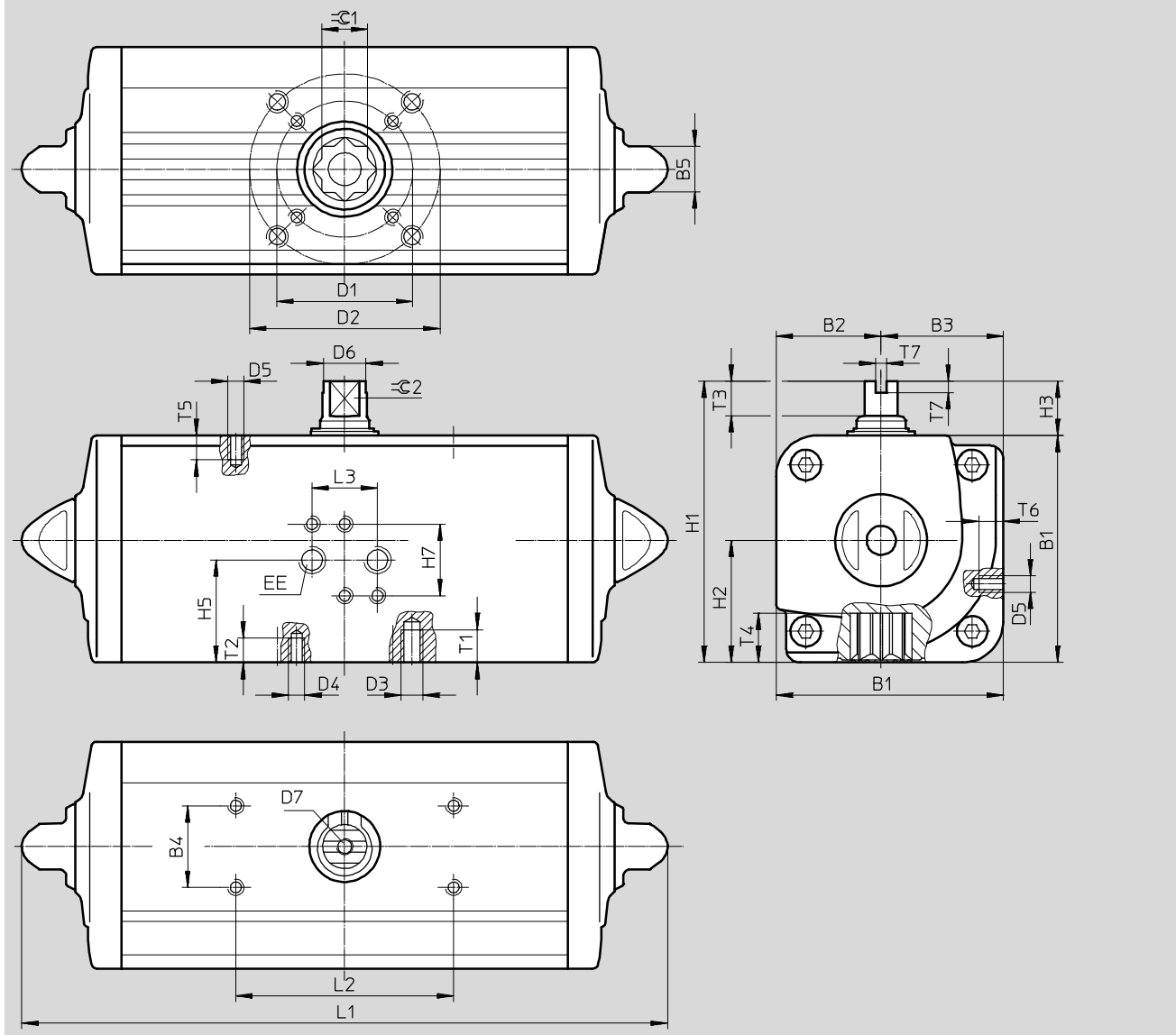
Technical data

FESTO

Dimensions

Size 0015 ... 1920

Download CAD data → www.festo.com



Quarter turn actuators DAPS, double-acting

Technical data

Size	B1	B2	B3	B4	B5	D1 ∅ ±0.1	D2 ∅ ±0.1	D3	D4	D5	D6 ∅	D7	EE	H1	H2			
DAPS-0015-...-F03	52.2	24.2	28	30	13	36	-	-	M5	M5	9.2	M6	G1/8	72.2	28			
DAPS-0015-...-F04						42			M5									
DAPS-0030-...-F0305	59.2	27.7	31.5		13	36	50	M6	M5		10.9			14.5	16.2	20.2	103.3	44.8
DAPS-0030-...-F04						42	-	-	M5									
DAPS-0060-...-F04	70.4	32.7	37.7		13	42	-	-	M5		16.2			20.2	22.5	25.5	141.1	60.1
DAPS-0060-...-F0507						50	70	M8	M6									
DAPS-0106-...-F0507	83.3	38.5	44.8		17	50	70	M8	M6		103.3			44.8				
DAPS-0180-...-F0710	107.5	51	56.5		22	70	102	M10	M8		137.5			56.5				
DAPS-0240-...-F0710	111.1	51	60.1		22	70	102	M10	M8		141.1			60.1				
DAPS-0360-...-F0710	118	56	62		22	70	102	M10	M8		148			62				

Size	H3	H5	H7	L1 ±2	L2	L3	T1	T2	T3	T4	T5	T6	T7	≈C1	≈C2
DAPS-0015-...-F03	20	28.8	32	159	80	24	-	8	10	13.2	6	7	4	11	8
DAPS-0015-...-F04								8							
DAPS-0030-...-F0305	20	32.3		174			9	8	10	13.2				11	9
DAPS-0030-...-F04								-							
DAPS-0060-...-F04	20	37.7		198			8	8	13	16.5				14	10
DAPS-0060-...-F0507								12							
DAPS-0106-...-F0507	20	44.8		237.1			12	9	13	19.3				17	12
DAPS-0180-...-F0710	30	56.5		289.9			15	12	16	24.8				22	15
DAPS-0240-...-F0710	30	60.1		313.6			15	12	17	24.8				22	15
DAPS-0360-...-F0710	30	62		339.3			15	12	19	24.3				22	19

Size	B1	B2	B3	B4	B5	D1 ∅ ±0.1	D2 ∅ ±0.1	D3	D4	D5	D6 ∅	D7	EE	H1	H2	
DAPS-0480-...-F1012	134.9	62	72.9	30	27	102	125	M12	M10	M5	29	M6	G1/4	164.9	72.9	
DAPS-0720-...-F1012	148	69.5	78.5		27	102	125	M12	M10		31.8			178	78.5	
DAPS-0960-...-F12	168	74.5	93.5		27	102	125	M12	M10		36.5			41	216	101.5
DAPS-0960-...-F14					27	140	-	-	M16							
DAPS-1440-...-F12	186	84.5	101.5		36	125	-	-	M12		46			237.7	114.7	
DAPS-1440-...-F14					36	140	-	-	M16							
DAPS-1920-...-F14	207.7	93	114.7		36	140	-	-	M16							
DAPS-1920-...-F1216					36	125	165	M20	M12							

Size	H3	H5	H7	L1	L2	L3	T1	T2	T3	T4	T5	T6	T7	≈C1	≈C2
DAPS-0480-...-F1012	30	57.4	32	387.7	80	24	18	15	19	29.5	6	7	4	27	19
DAPS-0720-...-F1012		61.5		433			18	15	19.5	29.5				27	22
DAPS-0960-...-F12		78		479.4			18	15	19.5	38.5				36	24
DAPS-0960-...-F14		86.5		567			-	24	19.5	38.5				36	27
DAPS-1440-...-F12							-	18	19.5	38.5				36	27
DAPS-1440-...-F14		99.2		601			-	24	18.5	48.5				46	32
DAPS-1920-...-F14							-	24	18.5	48.5				46	32
DAPS-1920-...-F1216		30		18			18.5	48.5	46	32					

Quarter turn actuators DAPS, double-acting

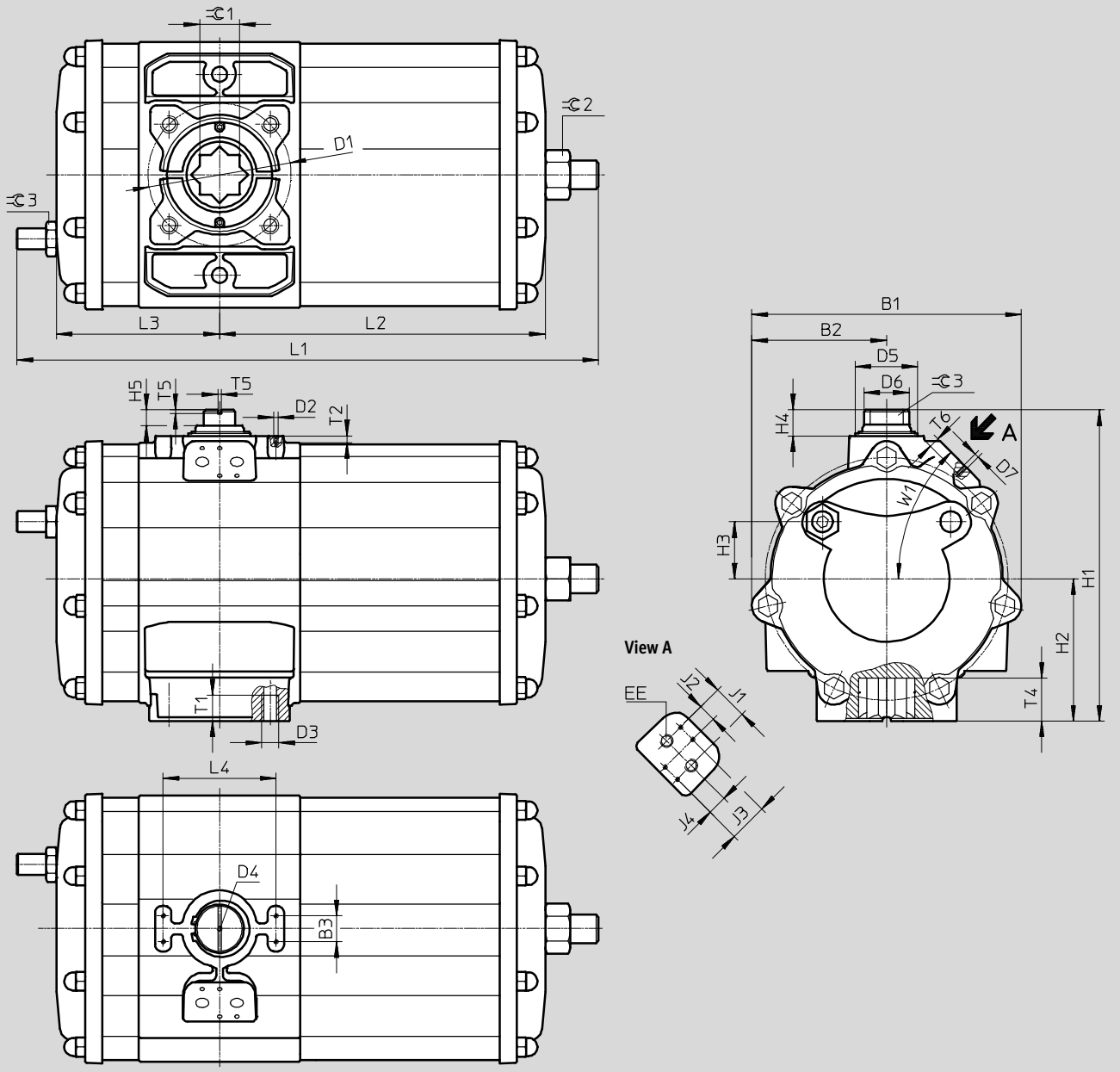
Technical data



Dimensions

Download CAD data → www.festo.com

Size 2880



Size	B1	B2	B3	D1 ∅	D2	D3	D4	D5 ∅	D6 ∅	D7	EE	H1	H2	H3	H4	H5	J1
DAPS-2880-...	311	155	30	165	M5	M20	M6	72	52	M6	G $\frac{3}{8}$	359	164	66	30	18	40

Size	J2	J3	J4	L1 ± 2	L2	L3	L4	T1	T2	T4 ± 0.8	T5	T6	W1	$\varnothing 1$	$\varnothing 2$	$\varnothing 3$
DAPS-2880-...	20	45	22.5	667	372	188	130	30	8	49.5	4	10	45°	46	50	36

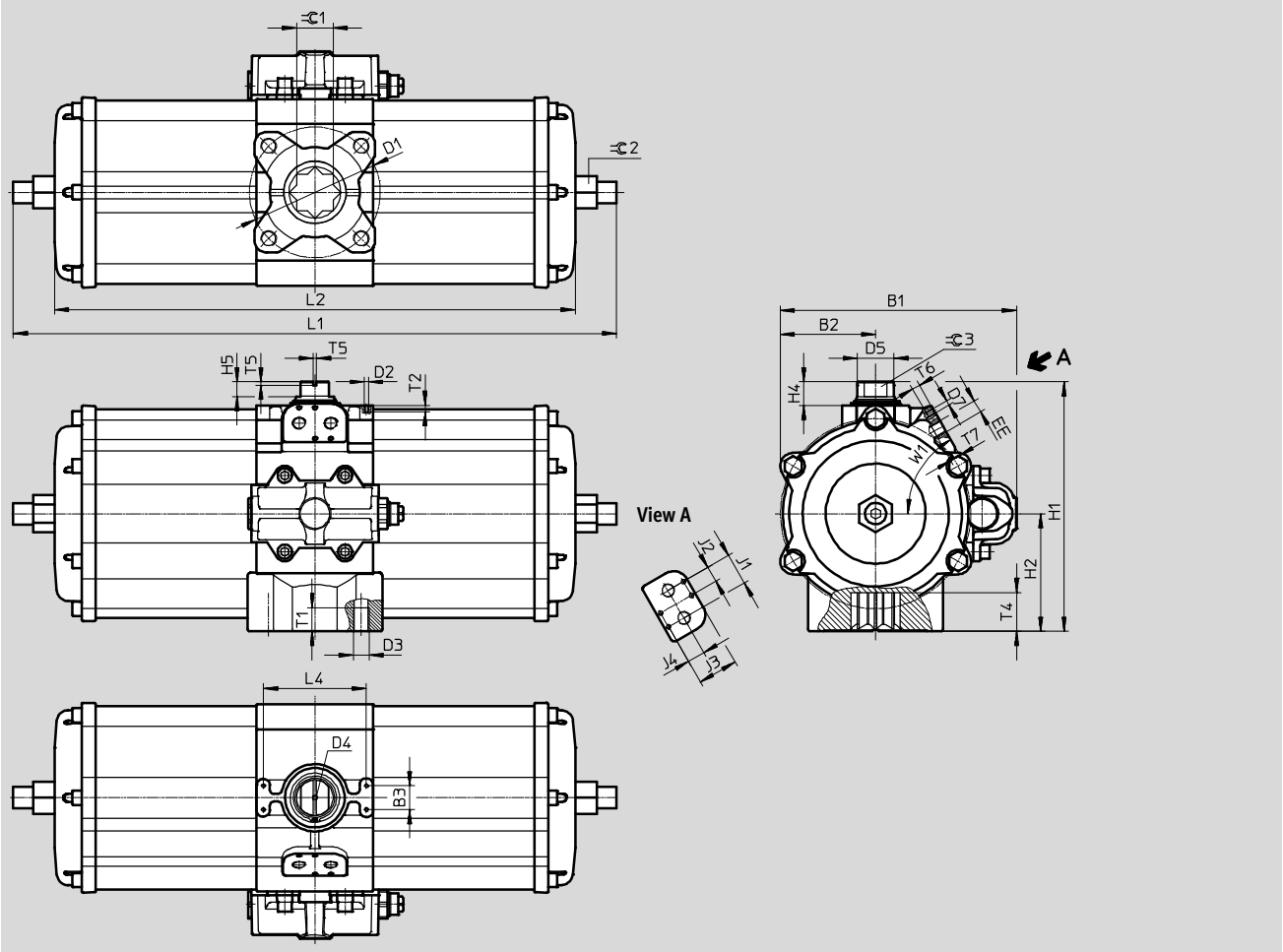
Quarter turn actuators DAPS, double-acting

Technical data

Dimensions

Download CAD data → www.festo.com

Size 3840



Size	B1	B2	B3	D1 ∅	D2	D3	D4	D5 ∅	D7	EE	H1	H2	H4	H5	J1	J2
DAPS-3840-...	298	120	30	165	M5	M20	M6	46	M6	G3/8	314	148.5	30	18.5	40	20

Size	J3	J4	L1 ±2	L2	L4	T1	T2	T4 ±1	T5	T6	T7	W1	$\ominus 1$	$\ominus 2$	$\ominus 3$
DAPS-3840-...	45	22.5	765	614	130	30	8	49	4	10	13	60°	46	41	32

Quarter turn actuators DAPS, double-acting

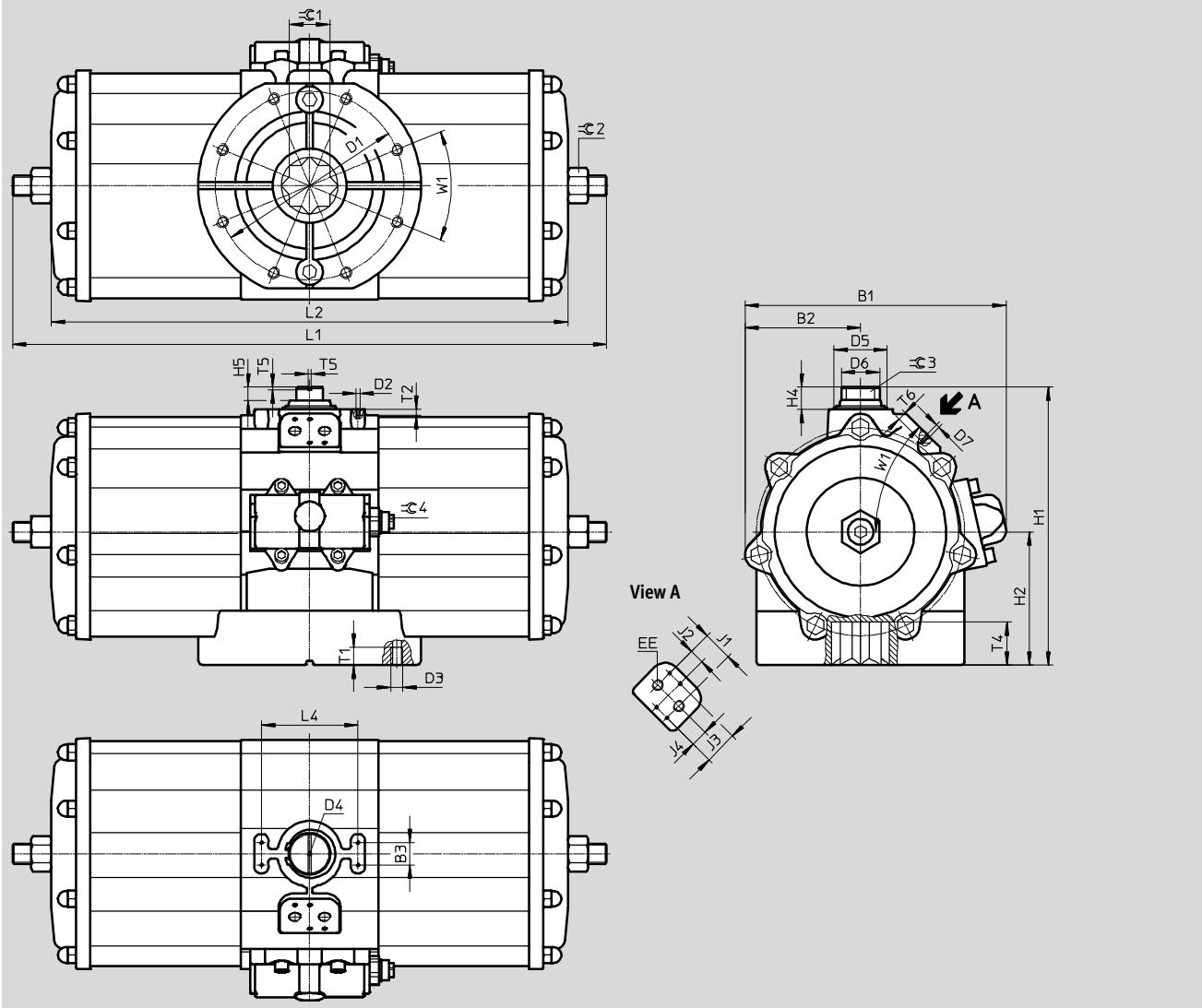
Technical data

FESTO

Dimensions

Download CAD data → www.festo.com

Size 5760



Size	B1	B2	B3	D1 ∅	D2	D3	D4	D5 ∅	D6	D7	EE	H1	H2	H4	H5	J1
DAPS-5760-...	361	155	30	254	M5	M16	M6	72	52	M6	G3/8	374	179	30	18	40

Size	J2	J3	J4	L1 ±2	L2	L4	T1	T2	T4 ±0.8	T5	T6	W1	∅1	∅2	∅3	∅4
DAPS-5760-...	20	45	22.5	885	744	130	24	8	58	4	10	45°	55	50	36	15

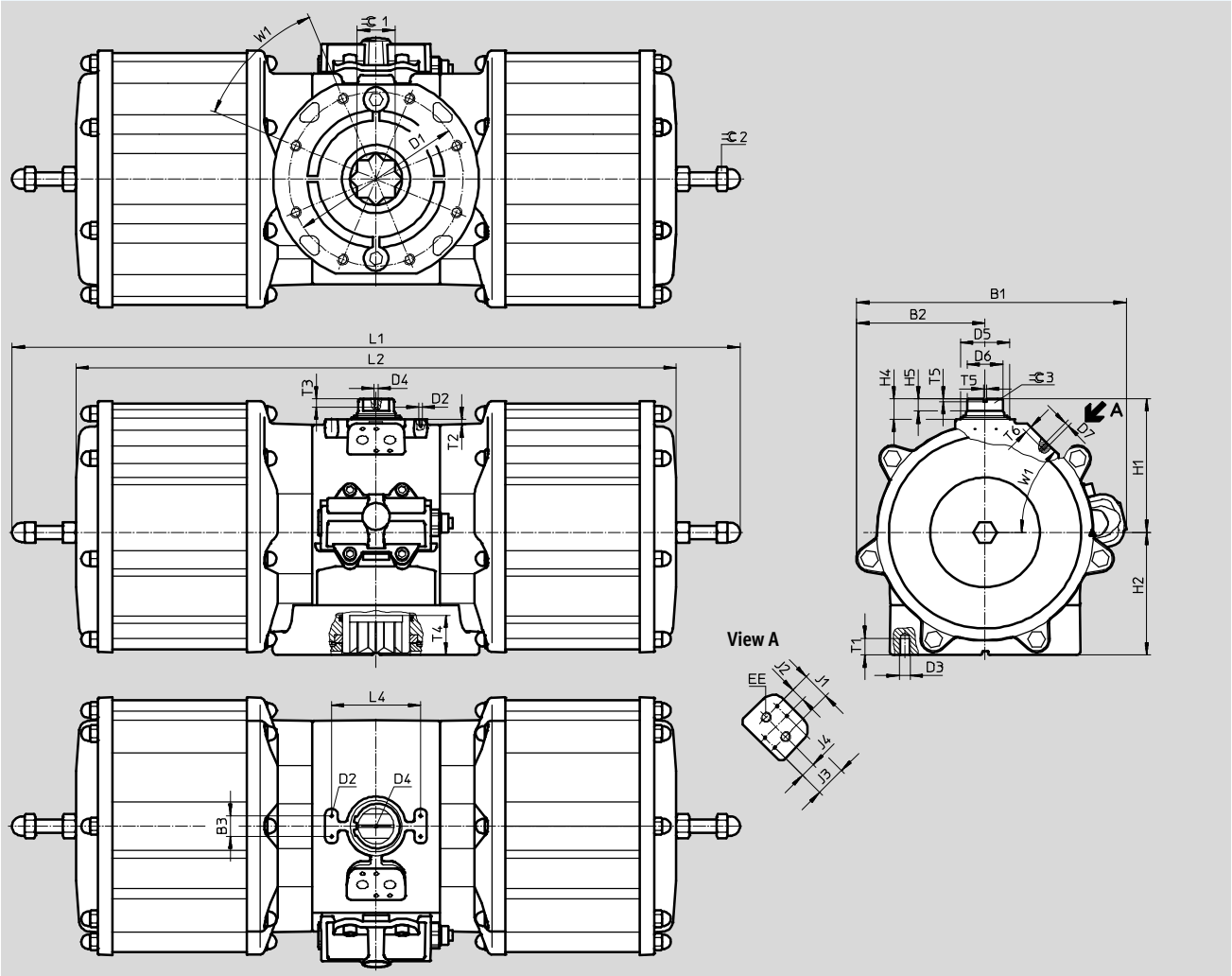
Quarter turn actuators DAPS, double-acting

Technical data

Dimensions

Download CAD data → www.festo.com

Size 8000



Size	B1	B2	B3	D1 ∅	D2	D3	D4	D5 ∅	D6 ∅	D7	EE	H1	H2	H4	H5	J1
DAPS-8000-...	394	188	30	254	M5	M16	M6	72	52	M6	G3/8	195	179	30	18	40

Size	J2	J3	J4	L1	L2	L4	T1	T2	T3	T4	T5	T6	W1	$\ominus 1$	$\ominus 2$	$\ominus 3$
DAPS-8000-...	20	45	22.5	1,044	877	130	24	8	12	58	4	10	45°	55	30	36

Quarter turn actuators DAPS, double-acting

Technical data

Ordering data – Drives		Ordering data – Drives	
Part No.	Type	Part No.	Type
Size 0008		Size 0720	
549 666	DAPS-0008-090-R-F03	549 667	DAPS-0720-090-R-F1012
Size 0015		Size 0960	
533 417	DAPS-0015-090-R-F03	533 425	DAPS-0960-090-R-F1012
533 475	DAPS-0015-090-R-F04	533 478	DAPS-0960-090-R-F14
Size 0030		Size 1440	
533 418	DAPS-0030-090-R-F0305	549 668	DAPS-1440-090-R-F12
533 476	DAPS-0030-090-R-F04	549 669	DAPS-1440-090-R-F14
Size 0060		Size 1920	
533 419	DAPS-0060-090-R-F04	533 426	DAPS-1920-090-R-F14
533 477	DAPS-0060-090-R-F0507	533 479	DAPS-1920-090-R-F1216
Size 0106		Size 2880	
533 420	DAPS-0106-090-R-F0507	549 670	DAPS-2880-090-R-F16
Size 0180		Size 3840	
533 421	DAPS-0180-090-R-F0710	549 671	DAPS-3840-090-R-F16
Size 0240		Size 5760	
533 422	DAPS-0240-090-R-F0710	549 672	DAPS-5760-090-F25
Size 0360		Size 8000	
533 423	DAPS-0360-090-R-F0710	560 855	DAPS-8000-090-R-F25
Size 0480			
533 424	DAPS-0480-090-R-F1012		

Ordering data – Wearing parts kits		Ordering data – Wearing parts kits	
Part No.	Type	Part No.	Type
Size 0015		Size 0240	
397 470	DAPS-0015	397 475	DAPS-0240/S0120
Size 0030		Size 0360	
397 471	DAPS-0030/S0015	397 476	DAPS-0360/S0180
Size 0060		Size 0480	
397 472	DAPS-0060/S0030	397 477	DAPS-0480/S0240
Size 0106		Size 0960	
397 473	DAPS-0106/S0053	397 478	DAPS-0960/S0480
Size 0180		Size 1920	
397 474	DAPS-0180/S0090	397 479	DAPS-1920/S0960

Quarter turn actuators DAPS, double-acting

Technical data

Ordering data – Drives for variant T4		Ordering data – Drives for variant T4	
Part No.	Type	Part No.	Type
Size 0015		Size 0240	
8030599	DAPS-0015-090-R-F03-T4	8030607	DAPS-0240-090-R-F0710-T4
8030600	DAPS-0015-090-R-F04-T4		
Size 0030		Size 0360	
8030601	DAPS-0030-090-R-F0305-T4	8030608	DAPS-0360-090-R-F0710-T4
8030602	DAPS-0030-090-R-F04-T4		
Size 0060		Size 0480	
8030603	DAPS-0060-090-R-F04-T4	8030609	DAPS-0480-090-R-F1012-T4
8030604	DAPS-0060-090-R-F0507-T4		
Size 0106		Size 0720	
8030605	DAPS-0106-090-R-F0507-T4	8030610	DAPS-0720-090-R-F1012-T4
Size 0180		Size 0960	
8030606	DAPS-0180-090-R-F0710-T4	8030611	DAPS-0960-090-R-F1012-T4
		8030612	DAPS-0960-090-R-F14-T4

Ordering data – Drives for variant T6		Ordering data – Drives for variant T6	
Part No.	Type	Part No.	Type
Size 0015		Size 0720	
553170	DAPS-0015-090-R-F03-T6	553181	DAPS-0720-090-R-F1012-T6
553171	DAPS-0015-090-R-F04-T6		
Size 0030		Size 0960	
553172	DAPS-0030-090-R-F0305-T6	553182	DAPS-0960-090-R-F12-T6
553173	DAPS-0030-090-R-F04-T6	553183	DAPS-0960-090-R-F14-T6
Size 0060		Size 1440	
553174	DAPS-0060-090-R-F04-T6	553184	DAPS-1440-090-R-F12-T6
553175	DAPS-0060-090-R-F0507-T6	553185	DAPS-1440-090-R-F14-T6
Size 0106		Size 1920	
553176	DAPS-0106-090-R-F0507-T6	553186	DAPS-1920-090-R-F14-T6
		553187	DAPS-1920-090-R-F1216-T6
Size 0180		Size 2880	
553177	DAPS-0180-090-R-F0710-T6	553188	DAPS-2880-090-R-F16-T6
Size 0240		Size 3840	
553178	DAPS-0240-090-R-F0710-T6	553189	DAPS-3840-090-R-F16-T6
Size 0360		Size 5760	
553179	DAPS-0360-090-R-F0710-T6	553190	DAPS-5760-090-R-F25-T6
Size 0480			
553180	DAPS-0480-090-R-F1012-T6		

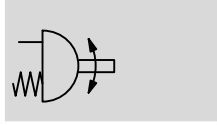
New
High-temperature T4

Quarter turn actuators DAPS, single-acting

Technical data

FESTO

Function



Swivel angle
0 ... 90°

Wearing parts kits
→ 41



Size
0015 ... 4000

Torque
15 ... 4000 Nm

General technical data				
Size	0015 ... 0180	0240 ... 0960	1440 ... 2880	4000
Pneumatic connection	G $\frac{1}{8}$	G $\frac{1}{4}$	G $\frac{3}{8}$	G $\frac{3}{8}$
Design	Scotch yoke system			
Mode of operation	Single-acting			
Mounting position	Any			
Position sensing	None			
Cushioning	No cushioning			
Swivel angle	[°]	90		
End-position adjusting range at 0°				
DAPS ... RS- ...	[°]	One end position adjustable, -1 ... +9	±5	
DAPS ... RS- ... T4	[°]		-	
DAPS ... RS- ... T6	[°]		±5	-
End-position adjusting range at 90°				
DAPS ... RS- ...	[°]	One end position adjustable, 81 ... +91	85 ... 95	
DAPS ... RS- ... T4	[°]		-	
DAPS ... RS- ... T6	[°]		85 ... 95	-
Note regarding end-position adjusting range	One end position optionally adjustable			
Closing direction	Closes to the right			

Operating and environmental conditions				
Size	0015 ... 0480	0720 ... 2880		4000
Nominal operating pressure	[bar]	5.6		
Operating pressure ¹⁾				
DAPS ... RS1- ...	[bar]	2.8 ... 8.4		
DAPS ... RS2- ...	[bar]	3.5 ... 8.4		
DAPS ... RS3- ...	[bar]	4.2 ... 8.4		
DAPS ... RS4- ...	[bar]	5.6 ... 8.4		
Operating medium	Compressed air to ISO 8573-1:2010 [7:4:4]			
Note on operating/pilot medium	Lubricated operation possible (in which case lubricated operation will always be required)			
Ambient temperature				
DAPS ... RS- ...	[°C]	-20 ... +80		
DAPS ... RS- ... T4	[°C]	-20 ... +150	-	
DAPS ... RS- ... T6	[°C]	-50 ... +60	-	
Corrosion resistance class CRC ²⁾	3			
Connection to process valve as per standard	ISO 5211			
Valve connection as per standard	VDI/VDE 3845 (NAMUR)			

1) Minimum operating pressures vary for single-acting rotary actuators depending upon spring quantity

2) Corrosion resistance class 3 according to Festo standard 940 070

Components subject to high corrosion stress. Externally visible parts with primarily functional surface requirements which are in direct contact with a normal industrial environment or media such as solvents and cleaning agents.

Quarter turn actuators DAPS, single-acting

Technical data

ATEX		
ATEX category for gas		II 2G
Type of (ignition) protection for gas		c TX X
ATEX category for dust		II 2D
Type of (ignition) protection dust		c TX X
Explosion ambient temperature	Standard	-20 °C ≤ Ta ≤ +60 °C
	Variant T4	-20 °C ≤ Ta ≤ +150 °C
	Variant T6	-50 °C ≤ Ta ≤ +60 °C
CE marking (see declaration of conformity)		To EU Explosion Protection Directive (ATEX)

Air consumption [l/cycle] at 6 bar	
Size	
DAPS-0015	0.72
DAPS-0030	1.44
DAPS-0053	2.16
DAPS-0090	4.32
DAPS-0120	6
DAPS-0180	8.64
DAPS-0240	12
DAPS-0360	14
DAPS-0480	24
DAPS-0720	29.4
DAPS-0960	48
DAPS-1440	77
DAPS-1920	87.5
DAPS-2880	147
DAPS-4000	174.6

Weight [g]	
Size	
DAPS-0015	1200
DAPS-0030	1950
DAPS-0053	3000
DAPS-0090	5900
DAPS-0120	6800
DAPS-0180	8900
DAPS-0240	11800
DAPS-0360	16500
DAPS-0480	22700
DAPS-0720	33000
DAPS-0960	42000
DAPS-1440	74000
DAPS-1920	67000
DAPS-2880	117000
DAPS-4000	183000

Materials			
Quarter turn actuators			Material number
Housing		Wrought aluminium alloy	-
Cap		Wrought aluminium alloy	-
Shaft		High-alloy steel	1.4305
External screws		High-alloy steel	-
Seals	Standard	FPM, NBR, PUR	-
	T4	FPM, PTFE-reinforced	-
	T6	FVMQ, PTFE-reinforced	-
Note on materials	Standard	RoHS-compliant	-
	T4	Contains paint-wetting impairment substances, RoHS-compliant	-
	T6	Contains paint-wetting impairment substances, RoHS-compliant	-

Quarter turn actuators DAPS, single-acting

Technical data

Actual torque [Nm] as a function of operating pressure [bar], spring strength and swivel angle [°]																		
Spring strength	Spring torque [Nm]			Operating pressure [bar]														
				2.5			2.8			3			3.5			4.2		
	0°	50°	90°	0°	50°	90°	0°	50°	90°	0°	50°	90°	0°	50°	90°	0°	50°	90°
DAPS-0015																		
1	5.0	3.7	7.5	6.2	2.9	3.7	7.5	3.7	5	8.4	4.2	5.9	10.6	5.6	8.1	13.8	7.4	11.3
2	6.3	4.7	9.4	-	-	-	-	-	-	7.2	3.3	4	9.4	4.7	6.3	12.6	6.5	9.4
3	7.5	5.6	11.3	-	-	-	-	-	-	-	-	-	8.2	3.7	4.4	11.3	5.6	7.5
4	10.0	7.5	15	-	-	-	-	-	-	-	-	-	-	-	-	-	-	-
DAPS-0030																		
1	10.0	7.5	15	12.3	5.9	7.3	15	7.5	10	16.8	8.6	11.8	21.3	11.3	16.3	27.5	15	22.5
2	12.5	9.4	18.8	-	-	-	-	-	-	14.3	6.7	8	18.8	9.4	12.5	25.1	13.2	18.8
3	15.0	11.3	22.5	-	-	-	-	-	-	-	-	-	16.3	7.5	8.8	22.5	11.3	15
4	20.0	15	30	-	-	-	-	-	-	-	-	-	-	-	-	-	-	-
DAPS-0053																		
1	17.5	13	26.5	21.8	10.2	12.8	26.5	13	17.5	29.6	14.9	20.6	37.5	19.5	28.5	48.5	26	39.5
2	22	16.5	33	-	-	-	-	-	-	25.1	11.8	14.1	33	16.5	22	44	23.1	33
3	26	19.5	40	-	-	-	-	-	-	-	-	-	29	13	15	40	19.5	26
4	35	26	53	-	-	-	-	-	-	-	-	-	-	-	-	-	-	-
DAPS-0090																		
1	30	22.5	45	37	17.7	22	45	22.5	30	50.4	25.7	35.4	63.8	33.8	48.8	82.5	45	67.5
2	37.5	28.1	56.3	-	-	-	-	-	-	42.9	20.1	24.1	56.3	28.1	37.5	75.1	39.4	56.3
3	45	33.9	67.5	-	-	-	-	-	-	-	-	-	48.8	22.6	26.3	67.5	33.9	45
4	60	45	90	-	-	-	-	-	-	-	-	-	-	-	-	-	-	-
DAPS-0120																		
1	40	30	60	49.3	23.6	29.3	60	30	40	67.1	34.3	47.1	85	45	65	110	60	90
2	50	37.5	75	-	-	-	-	-	-	57.1	26.8	32.1	75	37.5	50	100	52.5	75
3	60	45	90	-	-	-	-	-	-	-	-	-	65	30	35	90	45	60
4	80	60	120	-	-	-	-	-	-	-	-	-	-	-	-	-	-	-
DAPS-0180																		
1	60	45	90	73.9	35.4	43.9	90	45	60	100.7	51.4	70.7	127.5	67.5	97.5	165	90	135
2	75	56.3	112.5	-	-	-	-	-	-	85.7	40.2	48.2	112.5	56.3	75	150	78.8	112.5
3	90	67.5	135	-	-	-	-	-	-	-	-	-	97.5	45	52.5	135	67.5	90
4	120	90	180	-	-	-	-	-	-	-	-	-	-	-	-	-	-	-
DAPS-0240																		
1	80	60	120	98.6	47.1	58.6	120	60	80	134.3	68.6	94.3	170	90	130	220	120	180
2	100	75	150	-	-	-	-	-	-	114.3	53.6	64.3	150	75	100	200	105	150
3	120	90	180	-	-	-	-	-	-	-	-	-	130	60	70	180	90	120
4	160	120	240	-	-	-	-	-	-	-	-	-	-	-	-	-	-	-
DAPS-0360																		
1	120	90	180	147.9	70.7	87.9	180	90	120	201.4	102.9	141.1	255	135	195	330	180	270
2	150	112.5	225	-	-	-	-	-	-	171.4	80.4	96.4	225	112.5	150	300	157.5	225
3	180	135	270	-	-	-	-	-	-	-	-	-	195	90	105	270	135	180
4	240	180	360	-	-	-	-	-	-	-	-	-	-	-	-	-	-	-

Quarter turn actuators DAPS, single-acting

Technical data

Actual torque [Nm] as a function of operating pressure [bar], spring strength and swivel angle [°]															
Spring strength	Operating pressure [bar]														
	5			5.6			6			7			8		
	0°	50°	90°	0°	50°	90°	0°	50°	90°	0°	50°	90°	0°	50°	90°
DAPS-0015															
1	-			-			-			-			-		
2	16.1	8.7	13	18.8	10.3	15.7	-			-			-		
3	14.9	7.7	11.1	17.6	9.3	13.8	19.4	10.4	15.6	23.8	13.1	20	28.3	15.7	24.5
4	12.3	5.9	7.3	15	7.5	10	16.8	8.6	11.8	21.3	11.3	16.3	25.7	13.9	20.7
DAPS-0030															
1	-			-			-			-			-		
2	32.2	17.5	25.9	37.6	20.7	31.3	-			-			-		
3	29.6	15.6	22.1	35	18.8	27.5	38.6	21	31.1	47.5	26.4	40	56.4	31.7	48.9
4	24.6	11.8	14.6	30	15	20	33.6	17.1	23.6	42.5	22.5	32.5	51.4	27.9	41.4
DAPS-0053															
1	-			-			-			-			-		
2	56.6	30.6	45.6	66	36.3	55	-			-			-		
3	52.6	26.9	38.6	62	32.5	48	68.3	36.2	54.3	84	45.5	70	99.7	54.8	85.7
4	43.6	20.4	25.6	53	26	35	59.3	29.7	41.3	75	39	57	90	48.3	72.7
DAPS-0090															
1	-			-			-			-			-		
2	96.5	52.2	77.7	112.6	61.9	93.8	-			-			-		
3	88.9	46.8	66.4	105	56.5	82.5	115.7	63	93.2	142.5	79.1	120	169.3	95.2	146.8
4	73.9	35.4	43.9	90	45	60	100.7	51.4	70.7	127.5	67.5	97.5	154.3	83.6	124.3
DAPS-0120															
1	-			-			-			-			-		
2	128.6	69.6	103.6	150	82.5	125	-			-			-		
3	118.6	62.1	88.6	140	75	110	154.3	83.6	124.3	190	105	160	225.7	126.4	195.7
4	98.6	47.1	58.6	120	60	80	134.4	68.6	94.3	170	90	130	205.7	111.4	165.7
DAPS-0180															
1	-			-			-			-			-		
2	192.9	104.5	155.4	225	123.8	187.5	-			-			-		
3	177.9	93.2	132.9	210	112.5	165	231.4	125.4	186.4	285	157.5	240	338.6	189.6	293.6
4	147.9	707.7	87.9	180	90	120	201.4	102.9	141.4	255	135	195	308.6	167.6	284.6
DAPS-0240															
1	-			-			-			-			-		
2	257.1	139.3	207.1	300	165	250	-			-			-		
3	237.1	124.3	177.1	280	150	220	308.6	167.1	248.6	380	210	320	451.4	252.9	391.4
4	197.1	94.3	117.1	240	120	160	268.6	137.1	188.6	340	180	260	411.4	222.9	331.4
DAPS-0360															
1	-			-			-			-			-		
2	385.7	208.9	310.7	450	247.5	375	-			-			-		
3	355.7	186.4	265.7	420	225	330	462.9	250.7	372.9	570	315	480	677.1	379.3	587.1
4	295.7	141.4	175.7	360	180	240	402.9	205.7	282.9	510	270	390	617.1	334.3	497.1

Torque for size at 5.6 bar and swivel angle 0°

Quarter turn actuators DAPS, single-acting

Technical data

Actual torque [Nm] as a function of operating pressure [bar], spring strength and swivel angle [°]																		
Spring strength	Spring torque [Nm]			Operating pressure [bar]														
				2.5			2.8			3			3.5			4.2		
	0°	50°	90°	0°	50°	90°	0°	50°	90°	0°	50°	90°	0°	50°	90°	0°	50°	90°
DAPS-0480																		
1	160	120	240	197.1	94.3	117.1	240	120	160	268.6	137.1	188.6	340	180	260	440	240	360
2	200	150	300	-	-	-	-	-	-	228.6	107.1	128.6	300	150	200	400	210	300
3	240	180	360	-	-	-	-	-	-	-	-	-	260	120	140	360	180	240
4	320	240	480	-	-	-	-	-	-	-	-	-	-	-	-	-	-	-
DAPS-0720																		
1	240	180	360	295.7	141.4	175.7	360	180	240	402.9	205.7	282.9	510	270	390	660	360	540
2	300	225	450	-	-	-	-	-	-	342.9	160.7	192.9	450	225	300	600	315	450
3	360	270	540	-	-	-	-	-	-	-	-	-	390	180	210	540	270	360
4	480	360	720	-	-	-	-	-	-	-	-	-	-	-	-	-	-	-
DAPS-0960																		
1	320	240	480	394.3	188.6	234.3	480	240	320	537.1	274.3	377.1	680	360	520	880	480	720
2	400	300	600	-	-	-	-	-	-	457.1	214.3	257.1	600	300	400	800	420	600
3	480	360	720	-	-	-	-	-	-	-	-	-	520	240	280	720	360	480
4	640	480	960	-	-	-	-	-	-	-	-	-	-	-	-	-	-	-
DAPS-1440																		
1	480	360	720	591	282	351	720	360	480	805	411	565	1020	540	780	1320	720	1080
2	600	450	900	-	-	-	-	-	-	685	321	385	900	450	600	1200	630	900
3	720	540	1080	-	-	-	-	-	-	-	-	-	780	360	420	1080	540	720
4	960	720	1440	-	-	-	-	-	-	-	-	-	-	-	-	-	-	-
DAPS-1920																		
1	640	480	960	778	377	468	960	480	640	1074	548	754	1360	720	1040	1760	960	1440
2	800	600	1200	-	-	-	-	-	-	914	428	514	1200	600	800	1600	840	1200
3	960	720	1440	-	-	-	-	-	-	-	-	-	1040	480	560	1440	720	960
4	1280	960	1920	-	-	-	-	-	-	-	-	-	-	-	-	-	-	-
DAPS-2880																		
1	960	720	1440	1183	566	703	1440	720	960	1611	823	1131	2040	1080	1560	2640	1440	2160
2	1200	900	1800	-	-	-	-	-	-	1370	643	771	1800	900	1200	2400	1260	1800
3	1440	1080	2160	-	-	-	-	-	-	-	-	-	1560	720	840	2160	1080	1440
4	1920	1440	2880	-	-	-	-	-	-	-	-	-	-	-	-	-	-	-
DAPS-4000																		
1	1333	1000	2000	1524	714	857	2000	1000	1333	2238	1143	1571	2833	1500	2166	3666	2000	2999
2	1666	1250	2500	-	-	-	-	-	-	1905	893	1071	2500	1250	1666	3333	1750	2499
3	1999	1500	3000	-	-	-	-	-	-	-	-	-	2167	1000	1166	3000	1500	1999
4	2666	2000	4000	-	-	-	-	-	-	-	-	-	-	-	-	-	-	-

Quarter turn actuators DAPS, single-acting

Technical data

Actual torque [Nm] as a function of operating pressure [bar], spring strength and swivel angle [°]															
Spring strength	Operating pressure [bar]														
	5			5.6			6			7			8		
	0°	50°	90°	0°	50°	90°	0°	50°	90°	0°	50°	90°	0°	50°	90°
DAPS-0480															
1	-			-			-			-			-		
2	514.3	278.6	414.3	600	330	500	-			-			-		
3	474.3	248.6	354.3	560	300	440	617.1	334.3	497.1	760	420	640	902.9	505.7	782.9
4	394.3	118.6	234.3	480	240	320	537.1	274.3	377.1	680	360	520	822.9	445.7	662.9
DAPS-0720															
1	-			-			-			-			-		
2	771.4	417.9	621.4	900	495	750	-			-			-		
3	711.4	372.9	531.4	840	450	660	925.7	501.4	745.7	1140	630	960	1354	758.6	1174
4	591.4	282.9	351.4	720	360	480	805.7	411.4	565.7	1020	540	780	1234	668.6	994.3
DAPS-0960															
1	-			-			-			-			-		
2	1028.6	557.1	828.6	1200	660	1000	-			-			-		
3	948.6	497.1	708.6	1120	600	880	1234.3	668.6	994.3	1520	840	1280	1805.7	1011.4	1565.7
4	788.6	377.1	468.6	960	480	640	1074.3	548.6	754.3	1360	720	1040	1645.7	891.4	1325.7
DAPS-1440															
1	-			-			-			-			-		
2	1542	835	1242	1800	990	1500	-			-			-		
3	1422	745	1062	1680	900	1320	1851	1002	1491	2280	1260	1920	2708	1517	2348
4	1182	565	702	1440	720	960	1611	822	1131	2040	1080	1560	2468	1337	1988
DAPS-1920															
1	-			-			-			-			-		
2	2057	1114	1657	2400	1320	2000	-			-			-		
3	1897	994	1417	2240	1200	1760	2468	1337	1988	3040	1680	2560	3611	2022	3131
4	1577	754	937	1920	960	1280	2148	1097	1508	2720	1440	2080	3291	1782	2651
DAPS-2880															
1	-			-			-			-			-		
2	3085	1671	2485	3600	1980	3000	-			-			-		
3	2845	1491	2125	3360	1800	2640	3702	2006	2982	4560	2520	3840	5417	3034	4697
4	2365	1131	1405	2880	1440	1920	3222	1645	2262	4080	2160	3120	4937	2674	3977
DAPS-4000															
1	-			-			-			-			-		
2	4285	2321	3451	5000	2750	4166	-			-			-		
3	3952	2071	2951	4666	2500	3665	5143	2786	4141	6333	3500	5332	7523	4214	6522
4	3286	1571	1952	4000	2000	2666	4476	2286	3142	5666	3000	4332	6857	3714	5523

Torque for size at 5.6 bar and swivel angle 0°

New
High-temperature T4

Quarter turn actuators DAPS, single-acting

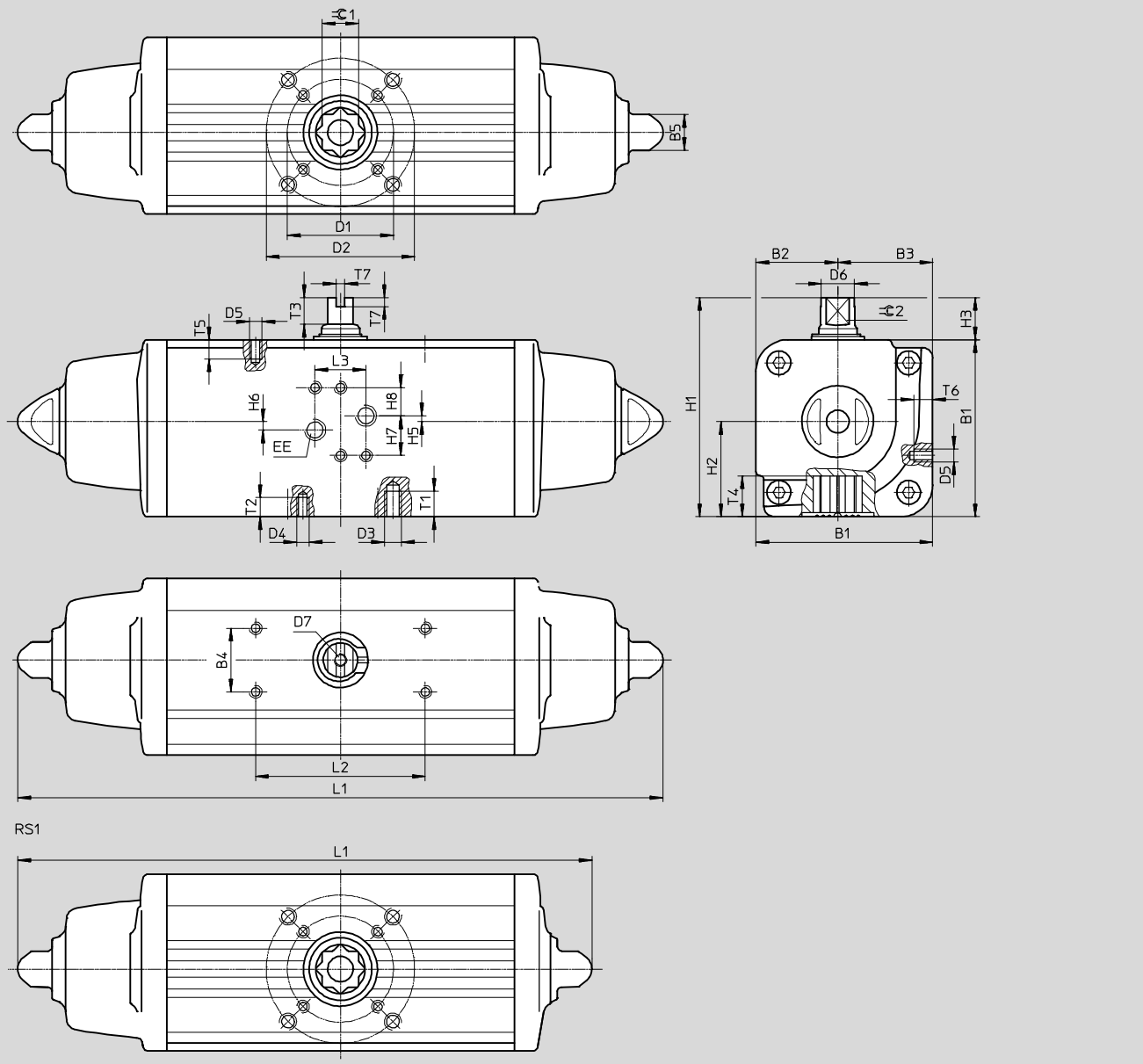
Technical data

FESTO

Dimensions

Download CAD data → www.festo.com

DAPS-0015-090-...-T4



Quarter turn actuators DAPS, single-acting

Technical data

FESTO

Size	B1	B2	B3	B4	B5	D1 ∅ ±0.1	D2 ∅ ±0.1	D3	D4	D5	D6 ∅	D7	EE	H1	H2	H3	H5
DAPS-0015-...-F0305	59.2	27.7	31.5	30	13	36	50	M6	M5	M5	10.9	M6	G1/8	79.2	31.5	20	0.8
DAPS-0015-...-F04						42	-	-									
DAPS-0030-...-F04	70.4	32.7	37.7		13	42	-	-	M5		14.5						
DAPS-0030-...-F0507						50	70	M8	M6								
DAPS-0053-...-F0507	83.3	38.5	44.8		17	50	70	M8	M6		16.2						
DAPS-0090-...-F0710	107.5	51	56.5		22	70	102	M10	M8		20.2						
DAPS-0120-...-F0710	111.1	51	60.1		22	70	102	M10	M8		22.5						
DAPS-0180-...-F0710	118	56	62		22	70	102	M10	M8		25.5						

Size	H6	H7	H8	L1		L2	L3	T1	T2	T3	T4	T5	T6	T7	≈ 1	≈ 2
				RS1	RS ...											
DAPS-0015-...-F0305	3.2	18	14	203.8	233.3	80	24	9	8	10	13.2	6	7	4	11	9
DAPS-0015-...-F04								-								
DAPS-0030-...-F04	4			228.5	259			12	8	13	16.5				14	10
DAPS-0030-...-F0507								12	9							
DAPS-0053-...-F0507	4			270.7	304.3			12	9	13	19.3				17	12
DAPS-0090-...-F0710	4			341.8	393.7			15	12	16	24.8				22	15
DAPS-0120-...-F0710	4			361.6	409.6			15	12	17	24.8				22	15
DAPS-0180-...-F0710	4			406.6	474			15	12	19	24.3				22	19

Quarter turn actuators DAPS, single-acting

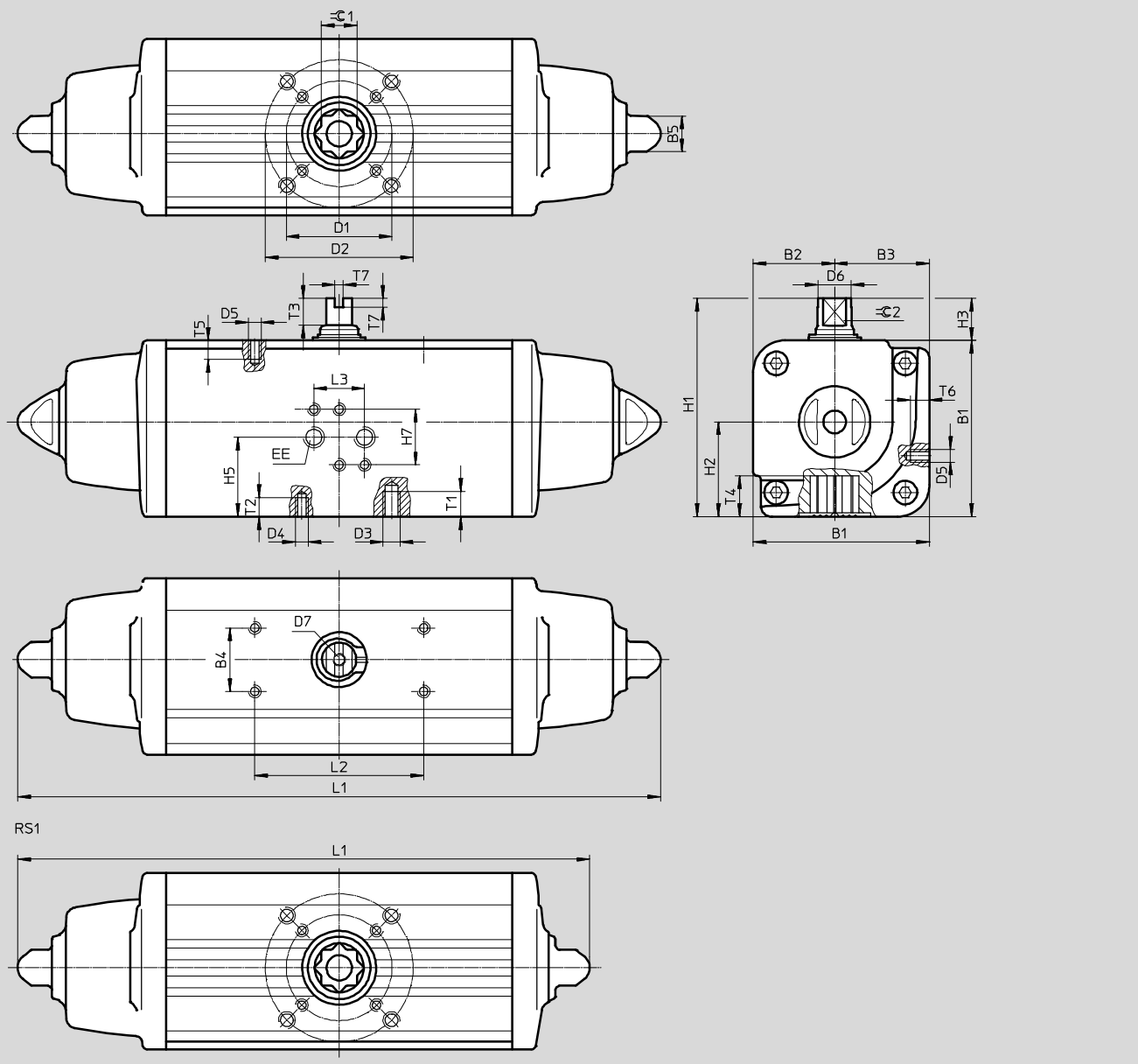
Technical data



Dimensions

Size 0015 ... 0960

Download CAD data → www.festo.com



Quarter turn actuators DAPS, single-acting

Technical data

Size	B1	B2	B3	B4	B5	D1 ∅ ±0.1	D2 ∅ ±0.1	D3	D4	D5	D6 ∅	D7	EE	H1	H2	H3
DAPS-0015-...-F0305	59.2	27.7	31.5	30	13	36	50	M6	M5	M5	10.9	M6	G $\frac{1}{8}$	79.2	31.5	20
DAPS-0015-...-F04						42	-	-								
DAPS-0030-...-F04	70.4	32.7	37.7		13	42	-	-	M5							
DAPS-0030-...-F0507						50	70	M8	M6							
DAPS-0053-...-F0507	83.3	38.5	44.8		17	50	70	M8	M6		16.2					
DAPS-0090-...-F0710	107.5	51	56.5		22	70	102	M10	M8		20.2					
DAPS-0120-...-F0710	111.1	51	60.1		22	70	102	M10	M8		22.5					
DAPS-0180-...-F0710	118	56	62		22	70	102	M10	M8		25.5					

Size	H5	H7	L1		L2	L3	T1	T2	T3	T4	T5	T6	T7	≈C1	≈C2
			RS1	RS...											
DAPS-0015-...-F0305	32.3	32	203.8	233.3	80	24	9	8	10	13.2	6	7	4	11	9
DAPS-0015-...-F04							-								
DAPS-0030-...-F04	37.7		228.5	259			12	9	13	16.5				14	10
DAPS-0030-...-F0507							12	9	13	19.3					
DAPS-0053-...-F0507	44.8		270.7	304.3			15	12	16	24.8				22	15
DAPS-0090-...-F0710	56.5		341.8	393.7			15	12	17	24.8				22	15
DAPS-0120-...-F0710	60.1		361.6	409.6			15	12	19	24.3				22	19
DAPS-0180-...-F0710	62		406.6	474			15	12	19	24.3				22	19

Size	B1	B2	B3	B4	B5	D1 ∅	D2 ∅	D3	D4	D5	D6 ∅	D7	EE	H1	H2	H3
DAPS-0240-...-F1012	134.9	62	72.9	30	27	102	125	M12	M10	M5	29	M6	G $\frac{1}{4}$	164.9	72.9	30
DAPS-0360-...-F1012	148	69.5	78.5		27	102	125	M12	M10		31.8					
DAPS-0480-...-F1012	168	74.5	93.5		27	102	125	M12	M10		36.5					
DAPS-0480-...-F14						140	-	-	M16							
DAPS-0720-...-F12	186	84.5	101.5		36	125	-	-	M12		41					
DAPS-0720-...-F14						140	-	-	M16							
DAPS-0960-...-F14	207.7	93	114.7		36	140	-	-	M16		46					
DAPS-0960-...-F1216						125	165	M20	M12							

Size	H5	H7	L1		L2	L3	T1	T2	T3	T4	T5	T6	T7	≈C1	≈C2
			RS1	RS...											
DAPS-0240-...-F1012	57.4	32	454	520.5	80	24	18	15	19	29.5	6	7	4	27	19
DAPS-0360-...-F1012	61.5		523	613			18	15	19.5	29.5				27	22
DAPS-0480-...-F1012	78		563.8	648.2			18	15	19.5	38.5				36	24
DAPS-0480-...-F14							-	24	19.5	38.5					
DAPS-0720-...-F12	86.5		683	798			-	18	19.5	38.5				36	27
DAPS-0720-...-F14							-	24	19.5	38.5					
DAPS-0960-...-F14	99.2		714.4	828			-	24	18.5	48.5				46	32
DAPS-0960-...-F1216							30	18	18.5	48.5					

Quarter turn actuators DAPS, single-acting

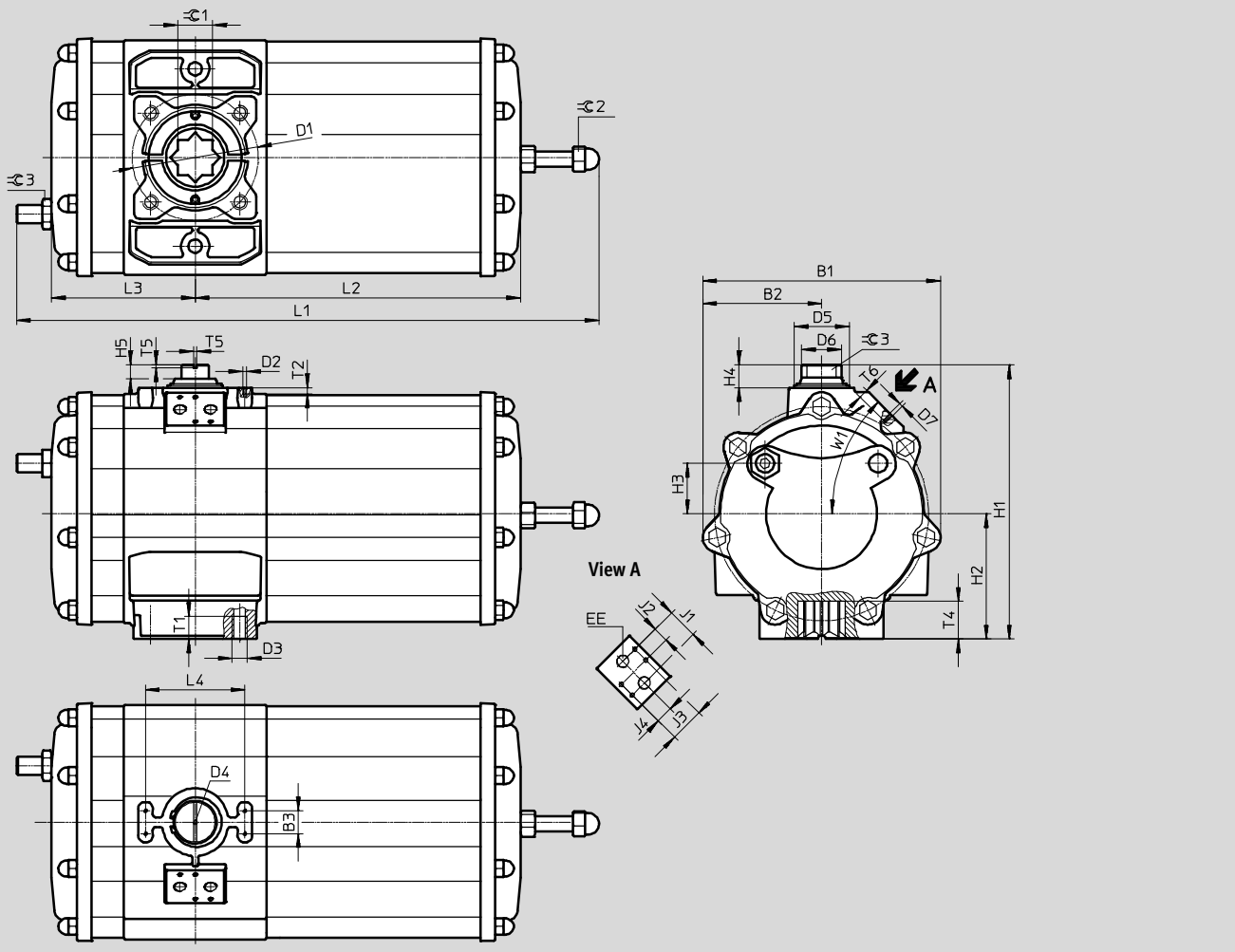
Technical data

FESTO

Dimensions

Download CAD data → www.festo.com

Size 1440



Size	B1	B2	B3	D1	D2	D3	D4	D5	D6	D7	EE	H1	H2	H3	H4	H5	J1
DAPS-1440-...	311	155	30	165	M5	M20	M6	72	52	M6	G $\frac{3}{8}$	359	164	66	30	18	40

Size	J2	J3	J4	L1	L2	L3	L4	T1	T2	T4	T5	T6	W1	$\varnothing 1$	$\varnothing 2$	$\varnothing 3$
DAPS-1440-...	20	45	22.5	834	498	188	130	30	8	49.5	4	10	45°	46	30	36

Quarter turn actuators DAPS, single-acting

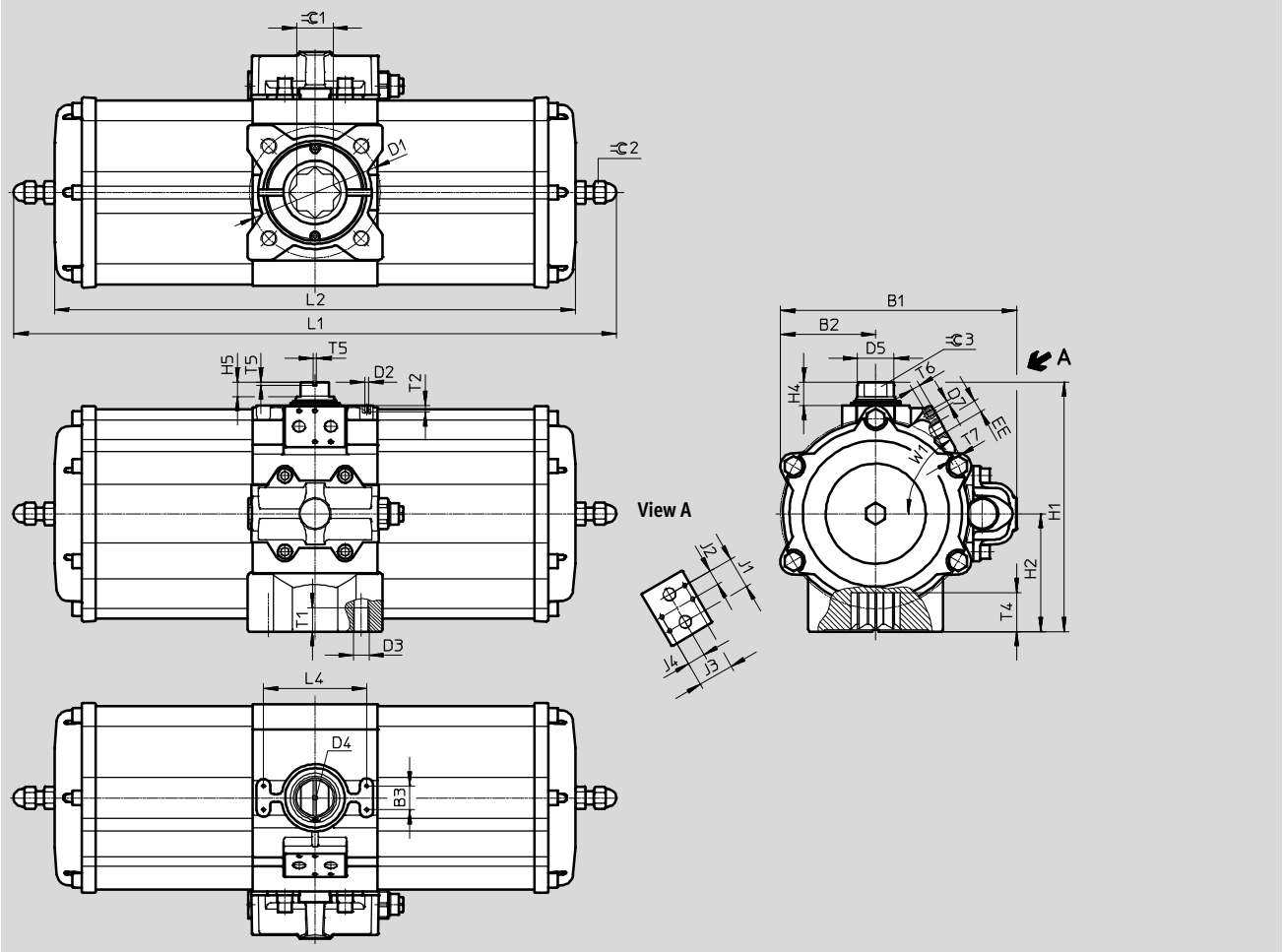
Technical data

FESTO

Dimensions

Download CAD data → www.festo.com

Size 1920



Size	B1	B2	B3	D1 ∅	D2	D3	D4	D5 ∅	D7	EE	H1	H2	H4	H5	J1	J2
DAPS-1920-...	298	120	30	165	M5	M20	M6	46	M6	G ³ / ₈	314	148.5	30	18.5	40	20

Size	J3	J4	L1 ±3	L2	L4	T1	T2	T4 ±1	T5	T6	T7	W1	∠ 1	∠ 2	∠ 3
DAPS-1920-...	45	22.5	1001	857	130	30	8	49	4	10	13	60°	46	24	32

Quarter turn actuators DAPS, single-acting

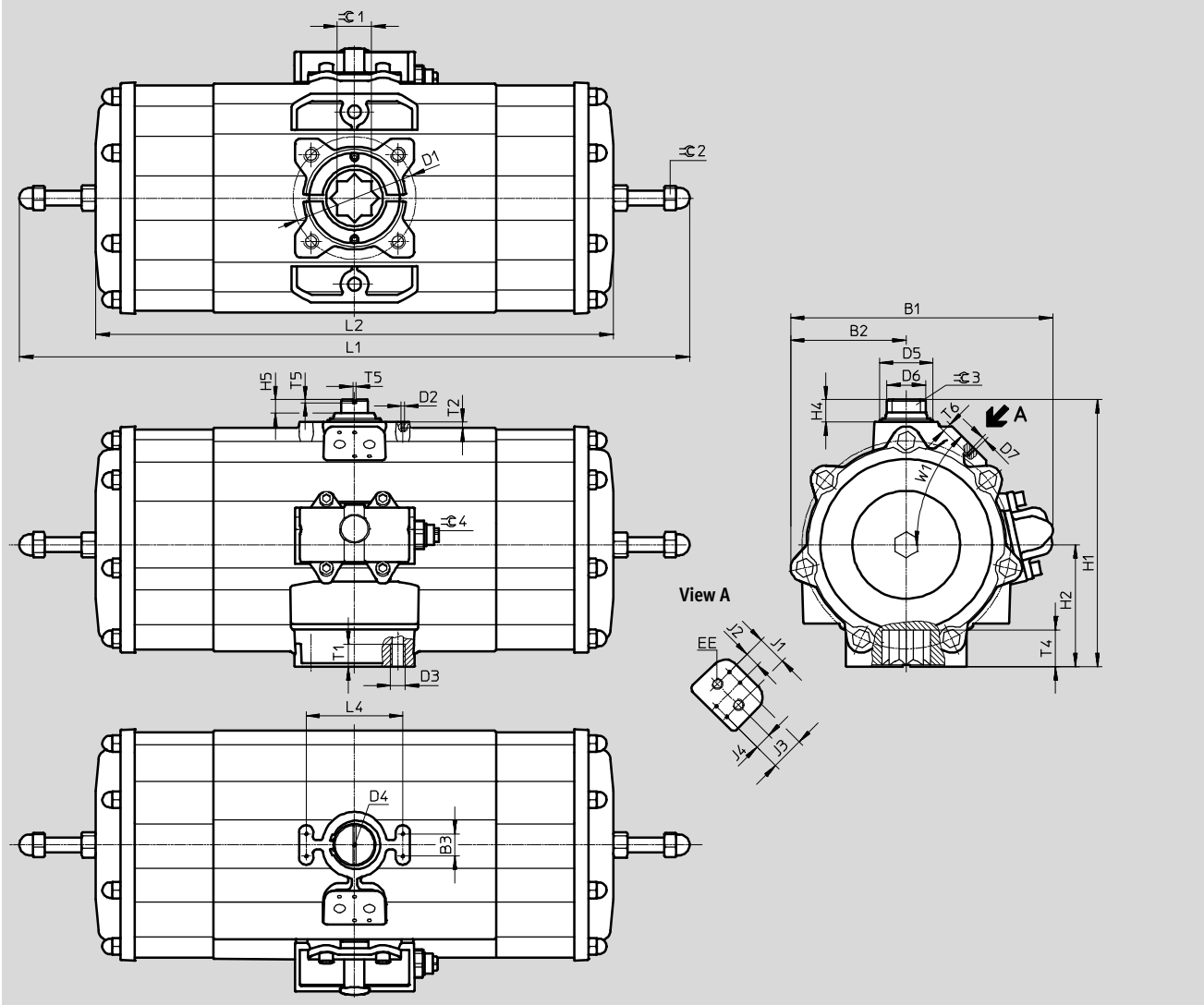
Technical data

FESTO

Dimensions

Size 2880

Download CAD data → www.festo.com



Size	B1	B2	B3	D1 ∅	D2	D3	D4	D5 ∅	D6 ∅	D7	EE	H1	H2	H4	H5	J1
DAPS-2880-...	361	155	30	165	M5	M20	M6	72	52	M6	G ³ / ₈	359	164	30	18	40

Size	J2	J3	J4	L1 ±3	L2	L4	T1	T2	T4	T5	T6	W1	⊘1	⊘2	⊘3	⊘4
DAPS-2880-...	20	45	22.5	1201	996	130	30	8	49.5	4	10	45°	46	30	36	15

Quarter turn actuators DAPS, single-acting

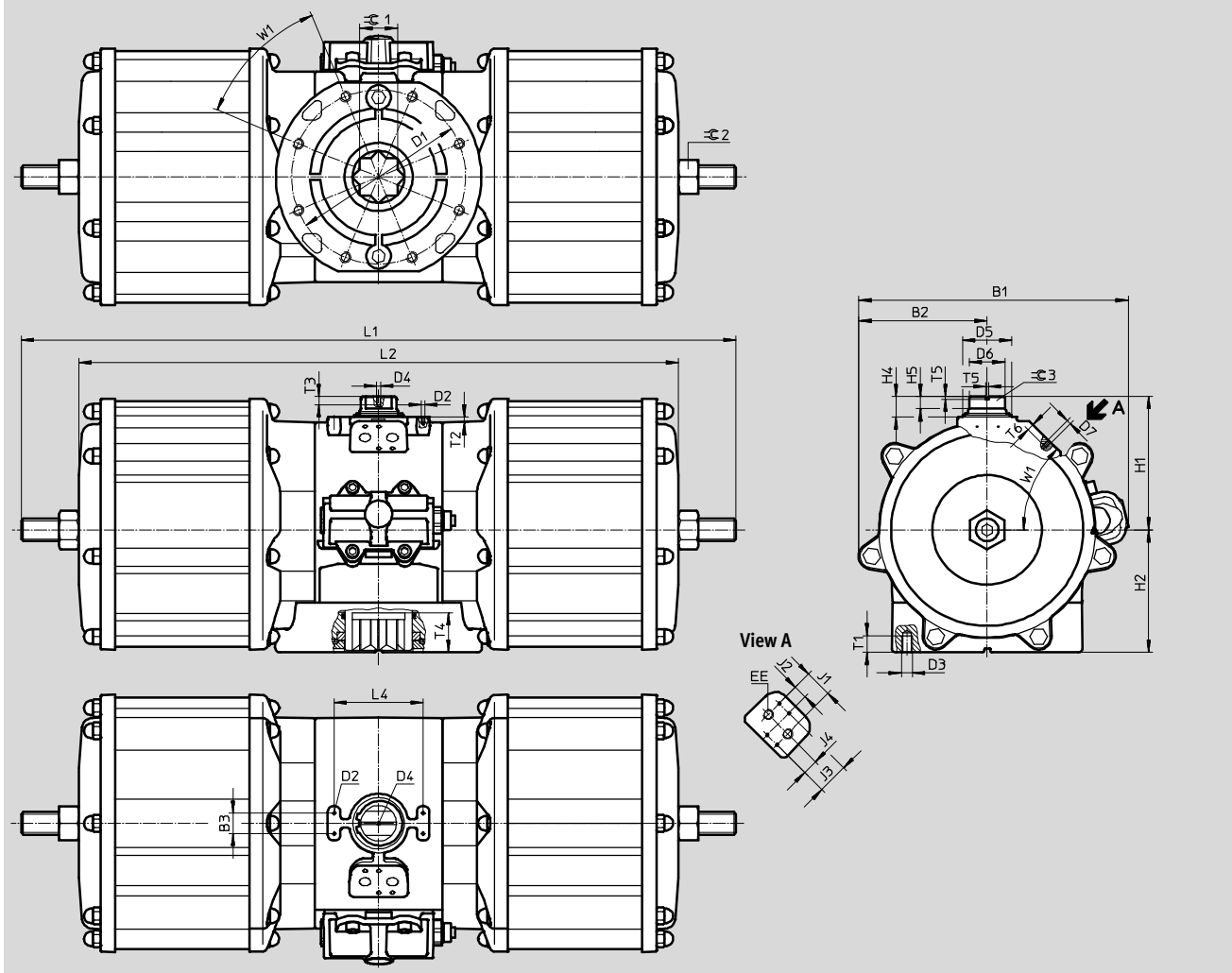
Technical data



Dimensions

Download CAD data → www.festo.com

Size 4000



Size	B1	B2	B3	D1 ∅	D2	D3	D4	D5 ∅	D6 ∅	D7	EE	H1	H2	H4	H5	J1
DAPS-4000-...	394	188	30	254	M5	M16	M6	72	52	M6	G3/8	195	179	30	18	40

Size	J2	J3	J4	L1	L2	L4	T1	T2	T3	T4	T5	T6	W1	$\varnothing 1$	$\varnothing 2$	$\varnothing 3$
DAPS-4000-...	20	45	22.5	1370	1184	130	24	8	12	58	4	10	45°	55	50	36

Quarter turn actuators DAPS, single-acting



Technical data

Ordering data		Ordering data	
Part No.	Type	Part No.	Type
Size 0015		Size 0480	
533427	DAPS-0015-090-RS1-F0305	533455	DAPS-0480-090-RS1-F1012
533480	DAPS-0015-090-RS1-F04	533488	DAPS-0480-090-RS1-F14
533428	DAPS-0015-090-RS2-F0305	533456	DAPS-0480-090-RS2-F1012
533481	DAPS-0015-090-RS2-F04	533489	DAPS-0480-090-RS2-F14
533429	DAPS-0015-090-RS3-F0305	533457	DAPS-0480-090-RS3-F1012
533482	DAPS-0015-090-RS3-F04	533490	DAPS-0480-090-RS3-F14
533430	DAPS-0015-090-RS4-F0305	533458	DAPS-0480-090-RS4-F1012
533483	DAPS-0015-090-RS4-F04	533491	DAPS-0480-090-RS4-F14
Size 0030		Size 0720	
533431	DAPS-0030-090-RS1-F04	549677	DAPS-0720-090-RS1-F12
533484	DAPS-0030-090-RS1-F0507	549681	DAPS-0720-090-RS1-F14
533432	DAPS-0030-090-RS2-F04	549678	DAPS-0720-090-RS2-F12
533485	DAPS-0030-090-RS2-F0507	549682	DAPS-0720-090-RS2-F14
533433	DAPS-0030-090-RS3-F04	549679	DAPS-0720-090-RS3-F12
533486	DAPS-0030-090-RS3-F0507	549683	DAPS-0720-090-RS3-F14
533434	DAPS-0030-090-RS4-F04	549680	DAPS-0720-090-RS4-F12
533487	DAPS-0030-090-RS4-F0507	549684	DAPS-0720-090-RS4-F14
Size 0053		Size 0960	
533435	DAPS-0053-090-RS1-F0507	533459	DAPS-0960-090-RS1-F14
533436	DAPS-0053-090-RS2-F0507	533492	DAPS-0960-090-RS1-F1216
533437	DAPS-0053-090-RS3-F0507	533460	DAPS-0960-090-RS2-F14
533438	DAPS-0053-090-RS4-F0507	533493	DAPS-0960-090-RS2-F1216
Size 0090		533461	DAPS-0960-090-RS3-F14
533439	DAPS-0090-090-RS1-F0710	533494	DAPS-0960-090-RS3-F1216
533440	DAPS-0090-090-RS2-F0710	533462	DAPS-0960-090-RS4-F14
533441	DAPS-0090-090-RS3-F0710	533495	DAPS-0960-090-RS4-F1216
533442	DAPS-0090-090-RS4-F0710	Size 1440	
Size 0120		549685	DAPS-1440-090-RS1-F16
533443	DAPS-0120-090-RS1-F0710	549686	DAPS-1440-090-RS2-F16
533444	DAPS-0120-090-RS2-F0710	549687	DAPS-1440-090-RS3-F16
533445	DAPS-0120-090-RS3-F0710	549688	DAPS-1440-090-RS4-F16
533446	DAPS-0120-090-RS4-F0710	Size 1920	
Size 0180		549689	DAPS-1920-090-RS1-F16
533447	DAPS-0180-090-RS1-F0710	549690	DAPS-1920-090-RS2-F16
533448	DAPS-0180-090-RS2-F0710	549691	DAPS-1920-090-RS3-F16
533449	DAPS-0180-090-RS3-F0710	549692	DAPS-1920-090-RS4-F16
533450	DAPS-0180-090-RS4-F0710	Size 2880	
Size 0240		549693	DAPS-2880-090-RS1-F16
533451	DAPS-0240-090-RS1-F1012	549694	DAPS-2880-090-RS2-F16
533452	DAPS-0240-090-RS2-F1012	549695	DAPS-2880-090-RS3-F16
533453	DAPS-0240-090-RS3-F1012	549696	DAPS-2880-090-RS4-F16
533454	DAPS-0240-090-RS4-F1012	Size 4000	
Size 0360		560856	DAPS-4000-090-RS1-F25
549673	DAPS-0360-090-RS1-F1012	561694	DAPS-4000-090-RS2-F25
549674	DAPS-0360-090-RS2-F1012	561695	DAPS-4000-090-RS3-F25
549675	DAPS-0360-090-RS3-F1012	561696	DAPS-4000-090-RS4-F25
549676	DAPS-0360-090-RS4-F1012		

Quarter turn actuators DAPS, single-acting

Technical data

Ordering data – Wearing parts kits		Part No.	Type	Part No.	Type
Size 0015				Size 0180	
397471	DAPS-0030/S0015			397476	DAPS-0360/S0180
Size 0030				Size 0240	
397472	DAPS-0060/S0030			397477	DAPS-0480/S0240
Size 0053				Size 0480	
397473	DAPS-0106/S0053			397478	DAPS-0960/S0480
Size 0090				Size 0960	
397474	DAPS-0180/S0090			397479	DAPS-1920/S0960
Size 0120					
397475	DAPS-0240/S0120				

Ordering data – Drives for variant T4		Part No.	Type	Part No.	Type
Size 0015				Size 0180	
8030613	DAPS-0015-090-RS4-F0305-T4			8030620	DAPS-0180-090-RS4-F0710-T4
8030614	DAPS-0015-090-RS4-F04-T4			Size 0240	
Size 0030				8030621	DAPS-0240-090-RS4-F1012-T4
8030615	DAPS-0030-090-RS4-F04-T4			Size 0360	
8030616	DAPS-0030-090-RS4-F0507-T4			8030622	DAPS-0360-090-RS4-F1012-T4
Size 0053				Size 0480	
8030617	DAPS-0053-090-RS4-F0507-T4			8030623	DAPS-0480-090-RS4-F1012-T4
Size 0090				8030624	DAPS-0480-090-RS4-F14-T4
8030618	DAPS-0090-090-RS4-F0710-T4				
Size 0120					
8030619	DAPS-0120-090-RS4-F0710-T4				

Quarter turn actuators DAPS, single-acting

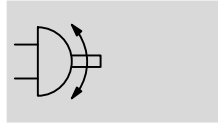
Technical data

Ordering data – Drives for variant T6			
Part No.	Type	Part No.	Type
Size 0015		Size 0480	
553191	DAPS-0015-090-RS2-F0305-T6	553201	DAPS-0480-090-RS2-F12-T6
553192	DAPS-0015-090-RS2-F04-T6	553202	DAPS-0480-090-RS2-F14-T6
553210	DAPS-0015-090-RS3-F0305-T6	553220	DAPS-0480-090-RS3-F12-T6
553211	DAPS-0015-090-RS3-F04-T6	553221	DAPS-0480-090-RS3-F14-T6
553229	DAPS-0015-090-RS4-F0305-T6	553239	DAPS-0480-090-RS4-F12-T6
553230	DAPS-0015-090-RS4-F04-T6	553240	DAPS-0480-090-RS4-F14-T6
Size 0030		Size 0720	
553193	DAPS-0030-090-RS2-F04-T6	553203	DAPS-0720-090-RS2-F12-T6
553194	DAPS-0030-090-RS2-F0507-T6	553204	DAPS-0720-090-RS2-F14-T6
553212	DAPS-0030-090-RS3-F04-T6	553222	DAPS-0720-090-RS3-F12-T6
553213	DAPS-0030-090-RS3-F0507-T6	553223	DAPS-0720-090-RS3-F14-T6
553231	DAPS-0030-090-RS4-F04-T6	553241	DAPS-0720-090-RS4-F12-T6
553232	DAPS-0030-090-RS4-F0507-T6	553242	DAPS-0720-090-RS4-F14-T6
Size 0053		Size 0960	
553195	DAPS-0053-090-RS2-F0507-T6	553205	DAPS-0960-090-RS2-F14-T6
553214	DAPS-0053-090-RS3-F0507-T6	553206	DAPS-0960-090-RS2-F1216-T6
553233	DAPS-0053-090-RS4-F0507-T6	553224	DAPS-0960-090-RS3-F14-T6
Size 0090		553225	DAPS-0960-090-RS3-F1216-T6
553196	DAPS-0090-090-RS2-F0710-T6	553243	DAPS-0960-090-RS4-F14-T6
553215	DAPS-0090-090-RS3-F0710-T6	553244	DAPS-0960-090-RS4-F1216-T6
553234	DAPS-0090-090-RS4-F0710-T6	Size 1440	
Size 0120		553207	DAPS-1440-090-RS2-F16-T6
553197	DAPS-0120-090-RS2-F0710-T6	553245	DAPS-1440-090-RS4-F16-T6
553216	DAPS-0120-090-RS3-F0710-T6	Size 1920	
553235	DAPS-0120-090-RS4-F0710-T6	553208	DAPS-1920-090-RS2-F16-T6
Size 0180		553227	DAPS-1920-090-RS3-F16-T6
553198	DAPS-0180-090-RS2-F0710-T6	553246	DAPS-1920-090-RS4-F16-T6
553217	DAPS-0180-090-RS3-F0710-T6	Size 2880	
553236	DAPS-0180-090-RS4-F0710-T6	553209	DAPS-2880-090-RS2-F16-T6
Size 0240		553228	DAPS-2880-090-RS3-F16-T6
553199	DAPS-0240-090-RS2-F1012-T6	553247	DAPS-2880-090-RS4-F16-T6
553218	DAPS-0240-090-RS3-F1012-T6		
553237	DAPS-0240-090-RS4-F1012-T6		
Size 0360			
553200	DAPS-0360-090-RS2-F1012-T6		
553219	DAPS-0360-090-RS3-F1012-T6		
553238	DAPS-0360-090-RS4-F1012-T6		

Quarter turn actuators DAPS CR, double-acting

Technical data

Function



Swivel angle
0 ... 90°

Size
0015 ... 0480

Torque
15 ... 480 Nm



General technical data						
Size	0015	0030	0060	0120	0240	0480
Pneumatic connection	G1/8					
Design	Scotch yoke system					
Mode of operation	Double-acting					
Mounting position	Any					
Position sensing	None					
Cushioning	No cushioning					
Swivel angle	[°]	90				
Closing direction	Closes to right					

Operating and environmental conditions						
Size	0015	0030	0060	0120	0240	0480
Operating pressure	[bar]	2.5 ... 8.4				
Nominal operating pressure	[bar]	5.6				
Operating medium	Compressed air to ISO 8573-1:2010 [7:4:4]					
Note on operating/pilot medium	Lubricated operation possible (in which case lubricated operation will always be required)					
Ambient temperature	[°C]	-20 ... +80				
Corrosion resistance class CRC ¹⁾	3					
Connection to process valve as per standard	-	ISO 5211				
Valve connection as per standard	-	VDI/VDE 3845 (NAMUR)				

1) Corrosion resistance class 3 according to Festo standard 940 070

Components subject to high corrosion stress. Externally visible parts with primarily functional surface requirements which are in direct contact with a normal industrial environment or media such as solvents and cleaning agents.

ATEX	
ATEX category for gas	II 2G
Explosion ignition protection type for gas	c TX X
ATEX category for dust	II 2D
Explosion ignition protection type for dust	c TX X
Explosion-proof temperature rating	-20 °C ≤ Ta ≤ +60 °C
CE marking (see declaration of conformity)	To EU Explosion Protection Directive (ATEX)

Quarter turn actuators DAPS CR, double-acting

Technical data

Air consumption [l/cycle 0°-90°-0°] at 6 bar			
Size		Size	
DAPS-0015	0.5	DAPS-0720	3.6
DAPS-0030	0.9	DAPS-0960	7.1
DAPS-0060	1.7	DAPS-1440	14.3

Weight [g]			
Size		Size	
DAPS-0015	800	DAPS-0120	3300
DAPS-0030	1200	DAPS-0240	5600
DAPS-0060	1800	DAPS-0480	9500

Materials		
Quarter turn actuators		Material number
Housing	High-alloy stainless steel	1.4408
Cover	High-alloy stainless steel	1.4408
Shaft	High-alloy stainless steel	1.4301
External screws	High-alloy stainless steel	-
Seals	FPM, NBR, PUR	-
Note on materials	Conforms to RoHS	-

Actual torque [Nm] as a function of operating pressure [bar] and swivel angle [°]									
Size	Swivel angle [°]	Operating pressure [bar]							
		2.5	3	4	5	5.6	6	7	8
DAPS-0015	0	6.7	8	10.7	13.4	15	16.1	18.8	21.4
	50	3.3	4	5.4	6.7	7.5	8	9.4	10.7
	90	5	6.1	8.1	10.1	11.3	12.1	14.1	16.1
DAPS-0030	0	13.4	16.1	21.4	26.8	30	32.1	37.5	42.9
	50	6.7	8	10.7	13.4	15	16.1	18.8	21.4
	90	10	12.1	16.1	20.1	22.5	24.1	28.1	32.1
DAPS-0060	0	26.8	32.1	42.9	53.6	60	64.3	75	85.7
	50	13.4	16.1	21.4	26.8	30	32.1	37.5	42.9
	90	20.1	24.1	32.1	40.2	45	48.2	56.3	64.3
DAPS-0120	0	53.6	64.3	85.7	107.1	120	128.6	150	171.4
	50	26.8	32.1	42.9	53.6	60	64.3	75	85.7
	90	40.2	48.2	64.3	80.4	90	96.4	112.5	128.6
DAPS-0240	0	107.1	128.6	171.4	214.3	240	257.1	300	342.9
	50	53.6	64.3	85.7	107.1	120	128.6	150	171.4
	90	80.4	96.4	128.6	160.7	180	192.9	225	257.1
DAPS-0480	0	214.3	257.1	342.9	428.6	480	514.3	600	685.7
	50	107.1	128.6	171.4	214.3	240	257.1	300	342.9
	90	160.7	192.9	257.1	321.4	360	385.7	450	514.3

Torque for size at 5.6 bar and swivel angle 0°

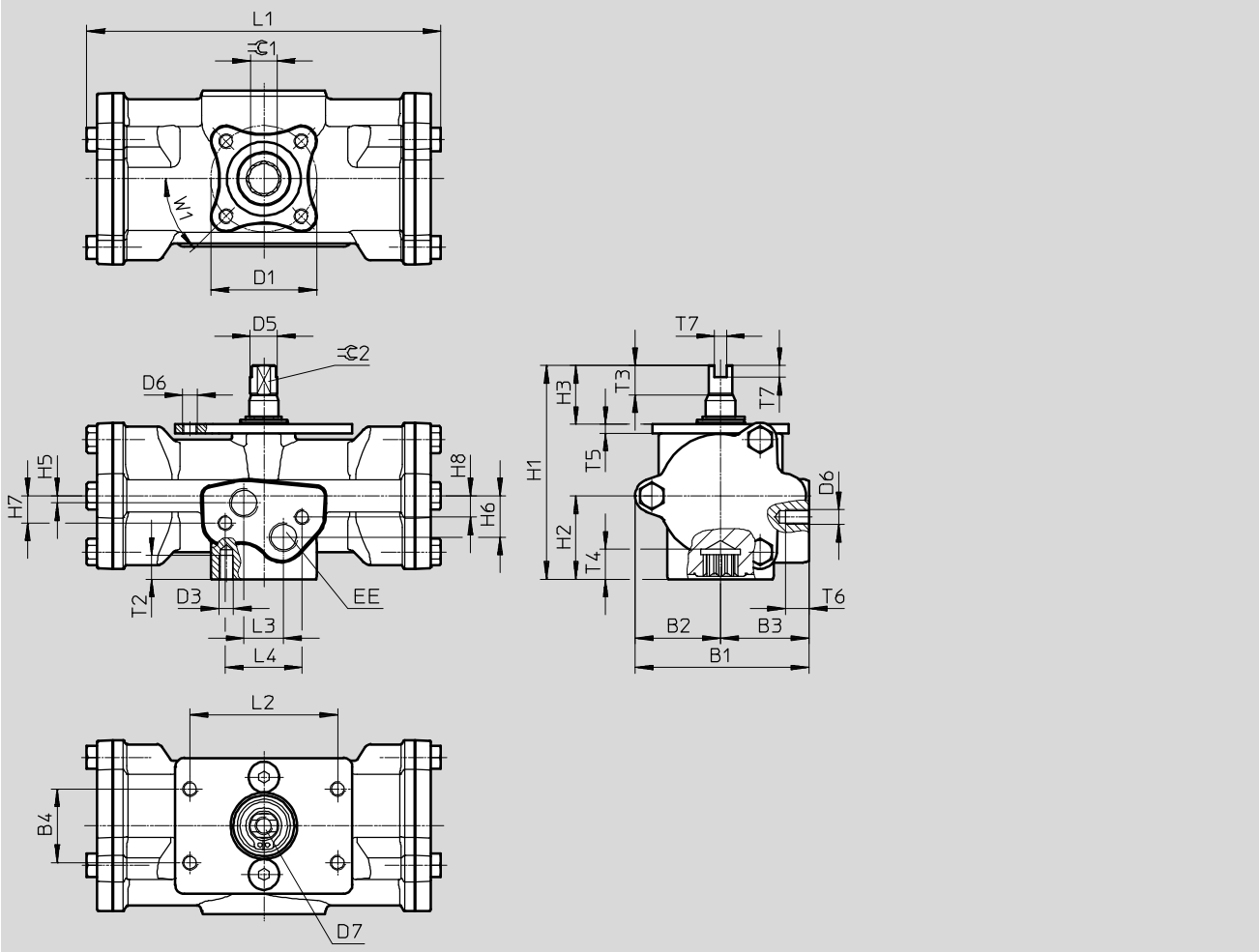
Quarter turn actuators DAPS CR, double-acting

Technical data

Dimensions

Download CAD data → www.festo.com

DAPS-...-090-R-F03-CR



Size	B1	B2	B3	B4	D1 Ø	D3	D5 Ø	D6	D7	EE	H1	H2	H3	H5	H6
DAPS-0015-090-R-F03-CR	59	29	30	25	36	M5	9.2	M5	M6	G ¹ / ₈	72.4	28.2	20	2.4	14
DAPS-0030-090-R-F03-CR	68.1	34.1	34	25	36	M5	10.9	M5	M6	G ¹ / ₈	80.4	32.7	20	3	16

Size	H7	H8	L1 ±2	L2	L3	L4	T2	T3	T4 ±0.4	T5	T6	T7	≡C 1 H11	≡C 2 h11	W1
DAPS-0015-090-R-F03-CR	9.2	7.2	120	50	13.4	26	8	10	10.1	3	8	4	9	8	45°
DAPS-0030-090-R-F03-CR	10.5	8.5	134.6	50	12	26	8	10	10.2	3	8	4	9	9	45°

Quarter turn actuators DAPS CR, double-acting

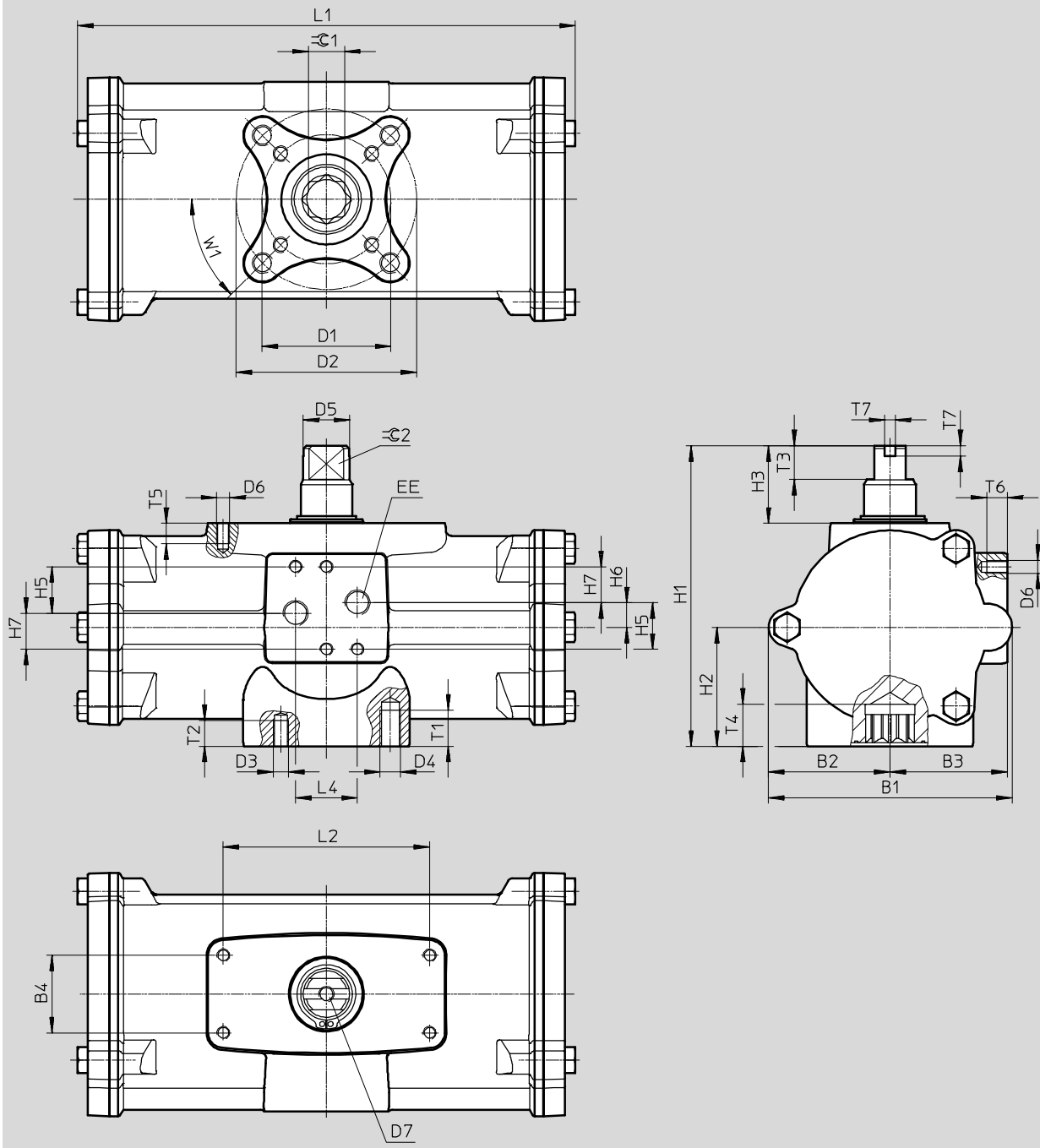
Technical data

FESTO

Dimensions

Download CAD data → www.festo.com

DAPS-...-090-R-...-CR



Quarter turn actuators DAPS CR, double-acting

Technical data

Size	B1	B2	B3	B4	D1 ∅ ±0.1	D2 ∅ ±0.1	D3	D4	D5 ∅	D6	D7	EE	H1	H2	H3	H5
DAPS-0060-...-R-F0305-CR	80.3	41.1	39.2	25	36	50	M5	M6	14.5	M5	M6	G1/8	92.4	37.6	20	18
DAPS-0120-...-R-F0507-CR	94.4	47	45.5	30	50	70	M6	M8	18	M5	M6	G1/8	116.5	46.1	30	18
DAPS-240-...-R-F0507-CR	117	60.2	54.5	30	50	70	M6	M8	22.5	M5	M6	G1/8	136.4	56.1	30	18
DAPS-480-...-R-F0710-CR	139.7	71	67	30	70	102	M8	M10	29	M5	M6	G1/8	160	68	30	18

Size	H6	H7	L1 ±2	L2	L4	T1	T2	T3	T4 ±0.4	T5	T6	T7	≈C 1 H11	≈C 2 h11	W1
DAPS-0060-...-R-F0305-CR	9.6	14	158.4	50	24	10	8	13	12.1	8	8	4	11	10	45°
DAPS-0120-...-R-F0507-CR	9.6	14	192.9	80	24	14	10	13	16.3	8	8	4	14	12	45°
DAPS-240-...-R-F0507-CR	10	14	246.7	80	24	14	10	17	19.3	8	8	4	17	15	45°
DAPS-480-...-R-F0710-CR	10	14	298.4	80	24	16	14	19	24.3	8	8	4	22	19	45°

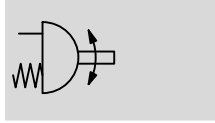
Ordering data		Ordering data	
Part No.	Type	Part No.	Type
Size 0015		Size 0120	
552869	DAPS-0015-090-R-F03-CR	552872	DAPS-0120-090-R-F0507-CR
Size 0030		Size 0240	
552870	DAPS-0030-090-R-F03-CR	552873	DAPS-0240-090-R-F0507-CR
Size 0060		Size 0480	
552871	DAPS-0060-090-R-F0305-CR	552874	DAPS-0480-090-R-F0710-CR


Quarter turn actuators DAPS CR, single-acting

FESTO


Technical data


Function



 Swivel angle
0 ... 90°



-  - Size
0015 ... 0240

-  - Torque
15 ... 240 Nm

General technical data					
Size	0015	0030	0060	0120	0240
Pneumatic connection	G1/8				
Design	Scotch yoke system				
Mode of operation	Single-acting				
Mounting position	Any				
Position sensing	None				
Cushioning	No cushioning				
Swivel angle	[°]	90			
Closing direction	Closes to right				

Operating and environmental conditions					
Size	0015	0030	0060	0120	0240
Nominal operating pressure	[bar]	5.6			
Operating medium	Compressed air to ISO 8573-1:2010 [7:4:4]				
Note on operating/pilot medium	Lubricated operation possible (in which case lubricated operation will always be required)				
Ambient temperature	[°C]	-20 ... +80			
Corrosion resistance class CRC ¹⁾	3				
Connection to process valve as per standard	-	ISO 5211			
Valve connection as per standard	-	VDI/VDE 3845 (NAMUR)			

1) Corrosion resistance class 3 according to Festo standard 940 070
Components subject to high corrosion stress. Externally visible parts with primarily functional surface requirements which are in direct contact with a normal industrial environment or media such as solvents and cleaning agents.

ATEX	
ATEX category for gas	II 2G
Explosion ignition protection type for gas	c TX X
ATEX category for dust	II 2D
Explosion ignition protection type for dust	c TX X
Explosion-proof temperature rating	-20 °C ≤ Ta ≤ +60 °C
CE marking (see declaration of conformity)	To EU Explosion Protection Directive (ATEX)

Quarter turn actuators DAPS CR, single-acting

Technical data

Pressure ranges [bar]					
Type	Connection pressure	Operating pressure	Type	Connection pressure	Operating pressure
Size 0015			Size 0120		
DAPS-0015-090-RS1-F03-CR	2.8	2.8 ... 8.4	DAPS-0120-090-RS1-F0507-CR	2.8	2.8 ... 8.4
DAPS-0015-090-RS2-F03-CR	3.5	3.5 ... 8.4	DAPS-0120-090-RS2-F0507-CR	3.5	3.5 ... 8.4
DAPS-0015-090-RS3-F03-CR	4.2	4.2 ... 8.4	DAPS-0120-090-RS3-F0507-CR	4.2	4.2 ... 8.4
DAPS-0015-090-RS4-F03-CR	5.6	5.6 ... 8.4	DAPS-0120-090-RS4-F0507-CR	5.6	5.6 ... 8.4
Size 0030			Size 0240		
DAPS-0030-090-RS1-F0305-CR	2.8	2.8 ... 8.4	DAPS-0240-090-RS1-F0710-CR	2.8	2.8 ... 8.4
DAPS-0030-090-RS2-F0305-CR	3.5	3.5 ... 8.4	DAPS-0240-090-RS2-F0710-CR	3.5	3.5 ... 8.4
DAPS-0030-090-RS3-F0305-CR	4.2	4.2 ... 8.4	DAPS-0240-090-RS3-F0710-CR	4.2	4.2 ... 8.4
DAPS-0030-090-RS4-F0305-CR	5.6	5.6 ... 8.4	DAPS-0240-090-RS4-F0710-CR	5.6	5.6 ... 8.4
Size 0060					
DAPS-0060-090-RS1-F0507-CR	2.8	2.8 ... 8.4			
DAPS-0060-090-RS2-F0507-CR	3.5	3.5 ... 8.4			
DAPS-0060-090-RS3-F0507-CR	4.2	4.2 ... 8.4			
DAPS-0060-090-RS4-F0507-CR	5.6	5.6 ... 8.4			

Air consumption [l/cycle] at 6 bar			
Size		Size	
DAPS-0015	0.5	DAPS-0120	4.2
DAPS-0030	1	DAPS-0240	8.3
DAPS-0060	2		

Weight [g]			
Size		Size	
DAPS-0015	1600	DAPS-0120	7600
DAPS-0030	2400	DAPS-0240	12900
DAPS-0060	4500		

Materials		
Quarter turn actuators		Material number
Housing	High-alloy stainless steel	1.4408
Cover	High-alloy stainless steel	1.4408
Shaft	High-alloy stainless steel	1.4301
External screws	High-alloy stainless steel	–
Seals	FPM, NBR, PUR	–
Note on materials	Conforms to RoHS	–

Quarter turn actuators DAPS CR, single-acting

Technical data

Actual torque [Nm] as a function of operating pressure [bar], spring strength and swivel angle [°]																		
Spring strength	Spring torque [Nm]			Operating pressure [bar]														
				2.5			2.8			3			3.5			4.2		
	0°	50°	90°	0°	50°	90°	0°	50°	90°	0°	50°	90°	0°	50°	90°	0°	50°	90°
DAPS-0015																		
1	5.0	3.7	7.5	6.2	2.9	3.7	7.5	3.7	5	8.4	4.2	5.9	10.6	5.6	8.1	13.8	7.4	11.3
2	6.3	4.7	9.4	-	-	-	-	-	-	7.2	3.3	4	9.4	4.7	6.3	12.6	6.5	9.4
3	7.5	5.6	11.3	-	-	-	-	-	-	-	-	-	8.2	3.7	4.4	11.3	5.6	7.5
4	10.0	7.5	15	-	-	-	-	-	-	-	-	-	-	-	-	-	-	-
DAPS-0030																		
1	10.0	7.5	15	12.3	5.9	7.3	15	7.5	10	16.8	8.6	11.8	21.3	11.3	16.3	27.5	15	22.5
2	12.5	9.4	18.8	-	-	-	-	-	-	14.3	6.7	8	18.8	9.4	12.5	25.1	13.2	18.8
3	15.0	11.3	22.5	-	-	-	-	-	-	-	-	-	16.3	7.5	8.8	22.5	11.3	15
4	20.0	15	30	-	-	-	-	-	-	-	-	-	-	-	-	-	-	-
DAPS-0060																		
1	20	15	30	24.6	11.8	14.6	30	15	20	33.6	17.1	23.6	42.5	22.5	32.5	55	30	45
2	25	18.8	37.5	-	-	-	-	-	-	28.6	13.4	16.1	37.5	18.8	25	50	26.3	37.5
3	30	22.5	45	-	-	-	-	-	-	-	-	-	32.5	15	17.5	45	22.5	30
4	40	30	60	-	-	-	-	-	-	-	-	-	-	-	-	-	-	-
DAPS-0120																		
1	40	30	60	49.3	23.6	29.3	60	30	40	67.1	34.3	47.1	85	45	65	110	60	90
2	50	37.5	75	-	-	-	-	-	-	57.1	26.8	32.1	75	37.5	50	100	52.5	75
3	60	45	90	-	-	-	-	-	-	-	-	-	65	30	35	90	45	60
4	80	60	120	-	-	-	-	-	-	-	-	-	-	-	-	-	-	-
DAPS-0240																		
1	80	60	120	98.6	47.1	58.6	120	60	80	134.3	68.6	94.3	170	90	130	220	120	180
2	100	75	150	-	-	-	-	-	-	114.3	53.6	64.3	150	75	100	200	105	150
3	120	90	180	-	-	-	-	-	-	-	-	-	130	60	70	180	90	120
4	160	120	240	-	-	-	-	-	-	-	-	-	-	-	-	-	-	-

Quarter turn actuators DAPS CR, single-acting

Technical data

Actual torque [Nm] as a function of operating pressure [bar], spring strength and swivel angle [°]																			
Spring strength	Spring torque [Nm]			Operating pressure [bar]															
				5			5.6			6			7			8			
	0°	50°	90°	0°	50°	90°	0°	50°	90°	0°	50°	90°	0°	50°	90°	0°	50°	90°	
DAPS-0015																			
1	5.0	3.7	7.5	-			-			-			-			-			
2	6.3	4.7	9.4	16.1	8.7	13	18.8	10.3	15.7	-			-			-			
3	7.5	5.6	11.3	14.9	7.7	11.1	17.6	9.3	13.8	19.4	10.4	15.6	23.8	13.1	20	28.3	15.7	24.5	
4	10.0	7.5	15	12.3	5.9	7.3	15	7.5	10	16.8	8.6	11.8	21.3	11.3	16.3	25.7	13.9	20.7	
DAPS-0030																			
1	10.0	7.5	15	-			-			-			-			-			
2	12.5	9.4	18.8	32.2	17.5	25.9	37.6	20.7	31.3	-			-			-			
3	15.0	11.3	22.5	29.6	15.6	22.1	35	18.8	27.5	38.6	21	31.1	47.5	26.4	40	56.4	31.7	48.9	
4	20.0	15	30	24.6	11.8	14.6	30	15	20	33.6	17.1	23.6	42.5	22.5	32.5	51.4	27.9	41.4	
DAPS-0060																			
1	20	15	30	-			-			-			-			-			
2	25	18.8	37.5	64.3	34.9	51.8	75	41.4	62.5	-			-			-			
3	30	22.5	45	59.3	31.1	44.3	70	37.5	55	77.1	41.8	62.1	95	52.5	80	112.9	63.2	97.9	
4	40	30	60	49.3	23.6	29.3	60	30	40	67.1	34.3	47.1	85	45	65	102.9	55.7	82.9	
DAPS-0120																			
1	40	30	60	-			-			-			-			-			
2	50	37.5	75	128.6	69.6	103.6	150	82.5	125	-			-			-			
3	60	45	90	118.6	62.1	88.6	140	75	110	154.3	83.6	124.3	190	105	160	225.7	126.4	195.7	
4	80	60	120	98.6	47.1	58.6	120	60	80	134.3	68.6	94.3	170	90	130	205.7	111.4	165.7	
DAPS-0240																			
1	80	60	120	-			-			-			-			-			
2	100	75	150	257.1	139.3	207.1	300	165	250	-			-			-			
3	120	90	180	237.1	124.3	177.1	280	150	220	308.6	167.1	248.6	380	210	320	451.4	252.9	391.4	
4	160	120	240	197.1	94.3	117.1	240	120	160	268.6	137.1	188.6	340	180	260	411.4	222.9	331.4	

Torque for size at 5.6 bar and swivel angle 0°

Quarter turn actuators DAPS CR, single-acting

Technical data

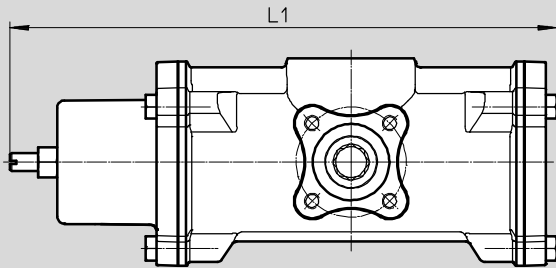
FESTO

Dimensions

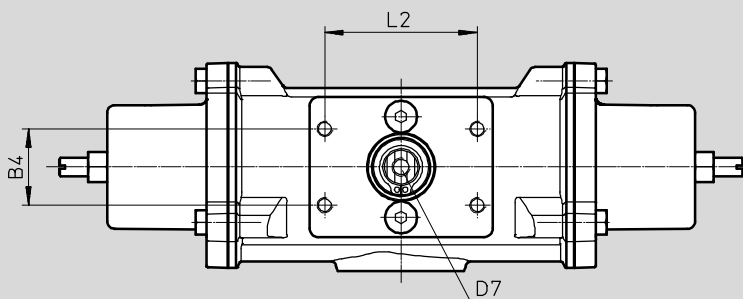
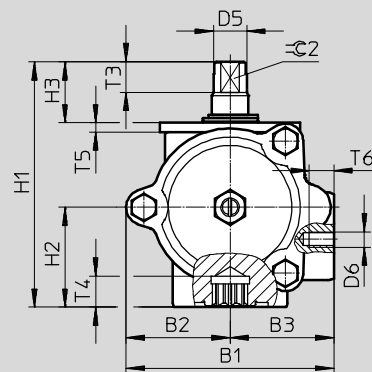
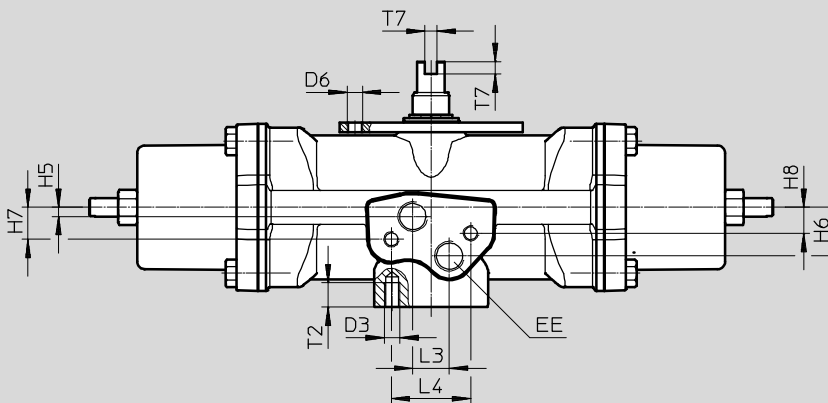
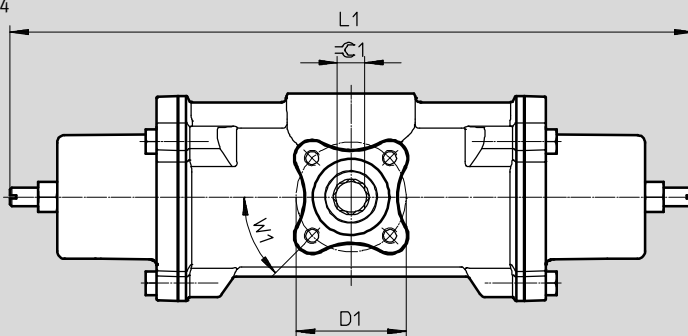
DAPS-0015-090-...-F03-CR

Download CAD data → www.festo.com

RS 1



RS 2 ... RS 4



Quarter turn actuators DAPS CR, single-acting



Technical data

Size	B1	B2	B3	B4	D1	D3	D5	D6	D7	EE	H1	H2	H3	H5	H6	H7
DAPS-0015-090-RS-F03-CR	68.1	34.1	34	25	36 ∅	M5	10.9 ∅	M5	M6	G1/8	80.4	32.7	20	3	16	10.5

Size	H8	L1 ±2		L2	L3	L4	T2	T3	T4	T5	T6	T7	≡C 1	≡C 2	W1	
		RS 1	RS 2 ... RS 4										H11	h11		
DAPS-0015-090-RS-F03-CR	8.5	179	224	50	12	26	8	10	10.2	±0.4	3	8	4	9	9	45°

Quarter turn actuators DAPS CR, single-acting

Technical data

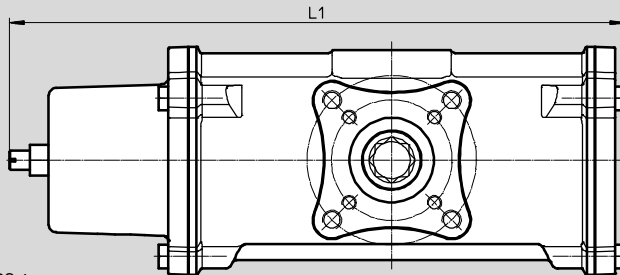
FESTO

Dimensions

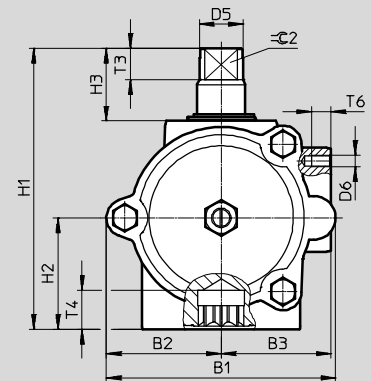
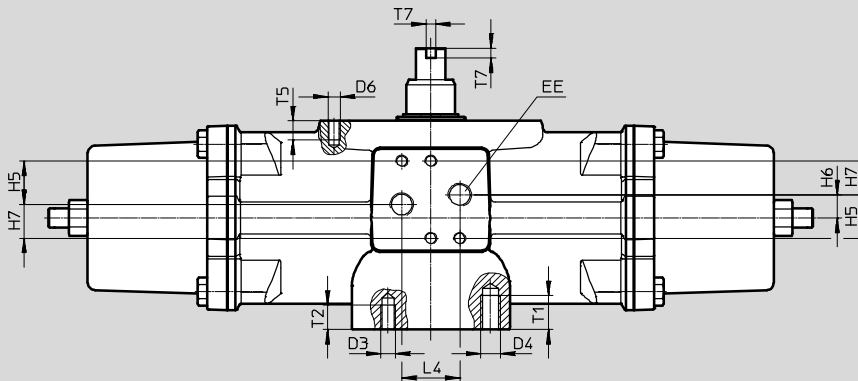
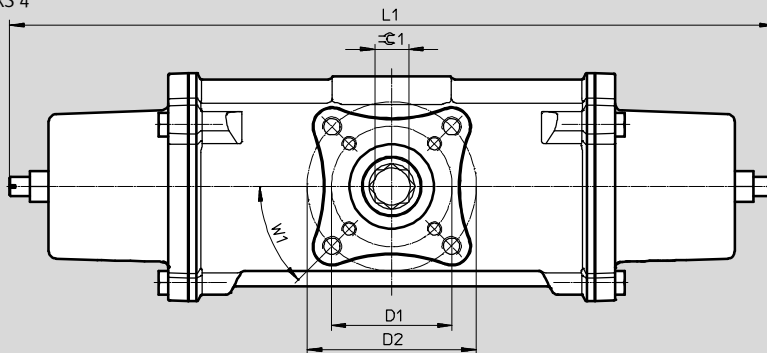
Download CAD data → www.festo.com/en/engineering

DAPS-...-090-...-CR

RS 1



RS 2 ... RS 4



Quarter turn actuators DAPS CR, single-acting

Technical data

Size	B1	B2	B3	B4	D1 ∅	D2 ∅	D3	D4	D5 ∅	D6	D7	EE	H1	H2	H3	H5
DAPS-0030- ... -F0305-CR	80.3	41.1	39.2	25	36	50	M5	M6	14.5	M5	M6	G $\frac{1}{8}$	92.4	37.6	20	18
DAPS-0060- ... -F0507-CR	94.4	47	45.5	30	50	70	M6	M8	18	M5	M6	G $\frac{1}{8}$	116.4	46.2	30	18
DAPS-0120- ... -F0507-CR	117	60.2	54.5	30	50	70	M6	M8	22.5	M5	M6	G $\frac{1}{8}$	136.4	56.1	30	18
DAPS-0240- ... -F0710-CR	139.7	70.9	67	30	70	102	M8	M10	29	M5	M6	G $\frac{1}{8}$	160	67.9	30	18

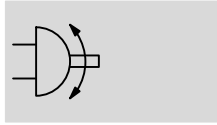
Size	H6	H7	L1 ±2		L2	L4	T1	T2	T3	T4	T5	T6	T7	⊖ 1	⊖ 2	W1
			RS 1	RS 2 ... RS 4										H11	h11	
DAPS-0030- ... -F0305-CR	9.6	14	202.3	246.2	50	24	10	8	13	12.1	8	8	4	11	10	45°
DAPS-0060- ... -F0507-CR	9.5	14	254.7	316.5	80	24	14	10	13	16.3	8	8	4	14	12	45°
DAPS-0120- ... -F0507-CR	10	14	311.5	376.2	80	24	14	10	17	19.3	8	8	4	17	15	45°
DAPS-0240- ... -F0710-CR	10	14	381	464	80	24	16	14	19	24.3	8	8	4	22	19	45°

Ordering data		Ordering data	
Part No.	Type	Part No.	Type
Size 0015		Size 0120	
552875	DAPS-0015-090-RS1-F03-CR	552887	DAPS-0120-090-RS1-F0507-CR
552876	DAPS-0015-090-RS2-F03-CR	552888	DAPS-0120-090-RS2-F0507-CR
552877	DAPS-0015-090-RS3-F03-CR	552889	DAPS-0120-090-RS3-F0507-CR
552878	DAPS-0015-090-RS4-F03-CR	552890	DAPS-0120-090-RS4-F0507-CR
Size 0030		Size 0240	
552879	DAPS-0030-090-RS1-F0305-CR	552891	DAPS-0240-090-RS1-F0710-CR
552880	DAPS-0030-090-RS2-F0305-CR	552892	DAPS-0240-090-RS2-F0710-CR
552881	DAPS-0030-090-RS3-F0305-CR	552893	DAPS-0240-090-RS3-F0710-CR
552882	DAPS-0030-090-RS4-F0305-CR	552894	DAPS-0240-090-RS4-F0710-CR
Size 0060			
552883	DAPS-0060-090-RS1-F0507-CR		
552884	DAPS-0060-090-RS2-F0507-CR		
552885	DAPS-0060-090-RS3-F0507-CR		
552886	DAPS-0060-090-RS4-F0507-CR		

Quarter turn actuators DAPS with handwheel, double-acting

Technical data

Function



Swivel angle
0 ... 90°



- Size
0106 ... 1920
- Torque
0106 ... 1,920 Nm

General technical data					
Size	0106	0180	0240	0360	0480
Pneumatic connection	G1/8				G1/4
Shaft connection depth	19.3	24.8	24.8	24.3	29.5
End-position adjusting range at 0°	-1 ... 9				
Design	Scotch yoke system				
Mode of operation	Double-acting				
Mounting position	Any				
Position sensing	None				
Cushioning	No cushioning				
Swivel angle [°]	90				
Closing direction	Closes to the right				

Size	0720	0960	1440	1920
Pneumatic connection	G1/4			
Shaft connection depth	29.5	38.5	38.5	48.5
End-position adjusting range at 0°	-1 ... 9			
Design	Scotch yoke system			
Mode of operation	Double-acting			
Mounting position	Any			
Position sensing	None			
Cushioning	No cushioning			
Swivel angle [°]	90			
Closing direction	Closes to the right			

Quarter turn actuators DAPS with handwheel, double-acting

Technical data

Operating and environmental conditions						
Size		0106	0180	0240	0360	0480
Operating pressure ¹⁾	[bar]	1 ... 8.4				
Nominal operating pressure	[bar]	5.6				
Operating medium		Compressed air in accordance with ISO 8573-1:2010 [7:4:4]				
Note on operating/pilot medium		Lubricated operation possible (in which case lubricated operation will always be required)				
Ambient temperature	[°C]	-20 ... 80				
Ambient temperature for variant T6	[°C]	-50 ... 60				
Corrosion resistance class CRC ²⁾		2				
Connection to process valve as per standard		ISO 5211				
Valve connection conforms to standard		VDI/VDE 3845 (NAMUR)				

Size		0720	0960	1440	1920	
Operating pressure ¹⁾	[bar]	1 ... 8.4				
Nominal operating pressure	[bar]	5.6				
Operating medium		Compressed air in accordance with ISO 8573-1:2010 [7:4:4]				
Note on operating/pilot medium		Lubricated operation possible (in which case lubricated operation will always be required)				
Ambient temperature	[°C]	-20 ... 80				
Ambient temperature for variant T6	[°C]	-50 ... 60				
Corrosion resistance class CRC ²⁾		2				
Connection to process valve as per standard		ISO 5211				
Valve connection conforms to standard		VDI/VDE 3845 (NAMUR)				

1) Operating pressure for variant T6 3...8.4 bar

2) Corrosion resistance class 2 according to Festo standard 940 070

Components subject to moderate corrosion stress. Externally visible parts with primarily decorative surface requirements which are in direct contact with a normal industrial environment or media such as coolants or lubricating agents.

ATEX	
ATEX category for gas	II 2G
Explosion ignition protection type for gas	c TX X
ATEX category for dust	II 2D
Explosion ignition protection type for dust	c TX X
Explosion-proof temperature	-20 °C ≤ Ta ≤ +60 °C
Explosion-proof temperature [T6]	-50 °C ≤ Ta ≤ +60 °C
CE marking (see declaration of conformity)	To EU Explosion Protection Directive (ATEX)

Quarter turn actuators DAPS with handwheel, double-acting

Technical data

Air consumption [l/cycle 0°-90°-0°] at 6 bar			
Size		Size	
0106	4.2	0720	27.6
0180	7.2	0960	36.3
0240	9.9	1440	58.2
0360	8.3	1920	77.4
0480	19.2		


Weight [g]			
Size		Size	
0106	4000	0720	17800
0180	6000	0960	23800
0240	8000	1440	33600
0360	10200	1920	43000
0480	13200		

Materials		
Quarter turn actuators		Material number
Housing	Wrought aluminium alloy	-
Cover	Wrought aluminium alloy	-
	[T6] Wrought aluminium alloy	-
Shaft	High-alloy steel	1.4305
Screws	High-alloy steel	-
Seals	NBR, PUR, FPM	-
	[T6] PTFE reinforced, FVMQ	-
Note on materials	Conforms to RoHS	-
	[T6] Contains PWIS (paint-wetting impairment substances), conforms to RoHS	-

Quarter turn actuators DAPS with handwheel, double-acting

Technical data

Actual torque [Nm] as a function of operating pressure [bar] and swivel angle [°]									
Size	Swivel angle [°]	Operating pressure [bar]							
		2.5	3	4	5	5.6	6	7	8
DAPS-0106	0°	47.3	56.8	75.7	94.6	106	113.6	132.5	151.4
	50°	23.7	28.4	37.9	47.3	53	56.8	66.3	75.7
	90°	35.7	72.9	57.1	71.4	80	85.7	100	114.3
DAPS-0180	0°	80.4	96.4	128.6	160.7	180	192.9	225	257.1
	50°	40.2	48.2	64.3	80.4	90	96.4	112.5	128.6
	90°	60.3	72.3	96.4	120.5	135	144.6	168.8	192.9
DAPS-0240	0°	107.1	128.6	171.4	214.3	240	257.1	300	342.9
	50°	53.6	64.3	85.7	107.1	120	128.6	150	171.4
	90°	80.4	96.4	128.6	160.7	180	192.9	225	257.1
DAPS-0360	0°	160.7	192.9	257.1	321.4	360	385.7	450	514.3
	50°	80.4	96.4	128.6	160.7	180	192.9	225	257.1
	90°	120.5	144.6	192.9	241.1	270	289.3	337.5	385.7
DAPS-0480	0°	214.3	257.1	342.9	428.6	480	514.3	600	685.7
	50°	107.1	128.6	171.4	214.3	240	257.1	300	342.9
	90°	160.7	192.9	257.1	321.4	360	385.7	450	514.3
DAPS-0720	0°	321.4	385.7	514.3	642.9	720	771.4	900	1028.6
	50°	160.7	192.9	257.1	321.4	360	385.7	450	514.3
	90°	241.1	289.3	385.7	482.1	540	578.6	675	771.4
DAPS-0960	0°	428.6	514.3	685.7	857.1	960	1028.6	1200	1371.4
	50°	214.3	257.1	342.9	428.6	480	514.3	600	685.7
	90°	321.4	385.7	514.3	642.9	720	771.4	900	1028.6
DAPS-1440	0°	642.9	771.4	1028.6	1285.7	1440	1542.9	1800	2057.1
	50°	321.4	385.7	514.3	642.9	720	771.4	900	1028.6
	90°	482.1	578.6	771.4	964.3	1080	1157.1	1350	1542.9
DAPS-1920	0°	857.1	1028.6	1371.4	1714.3	1920	2057.1	2400	2742.9
	50°	428.6	514.3	685.7	857.1	960	1028.6	1200	1371.4
	90°	642.9	771.4	1028.6	1285.7	1440	1542.9	1800	2057.1

 Torque for size at 5.6 bar and swivel angle 0°

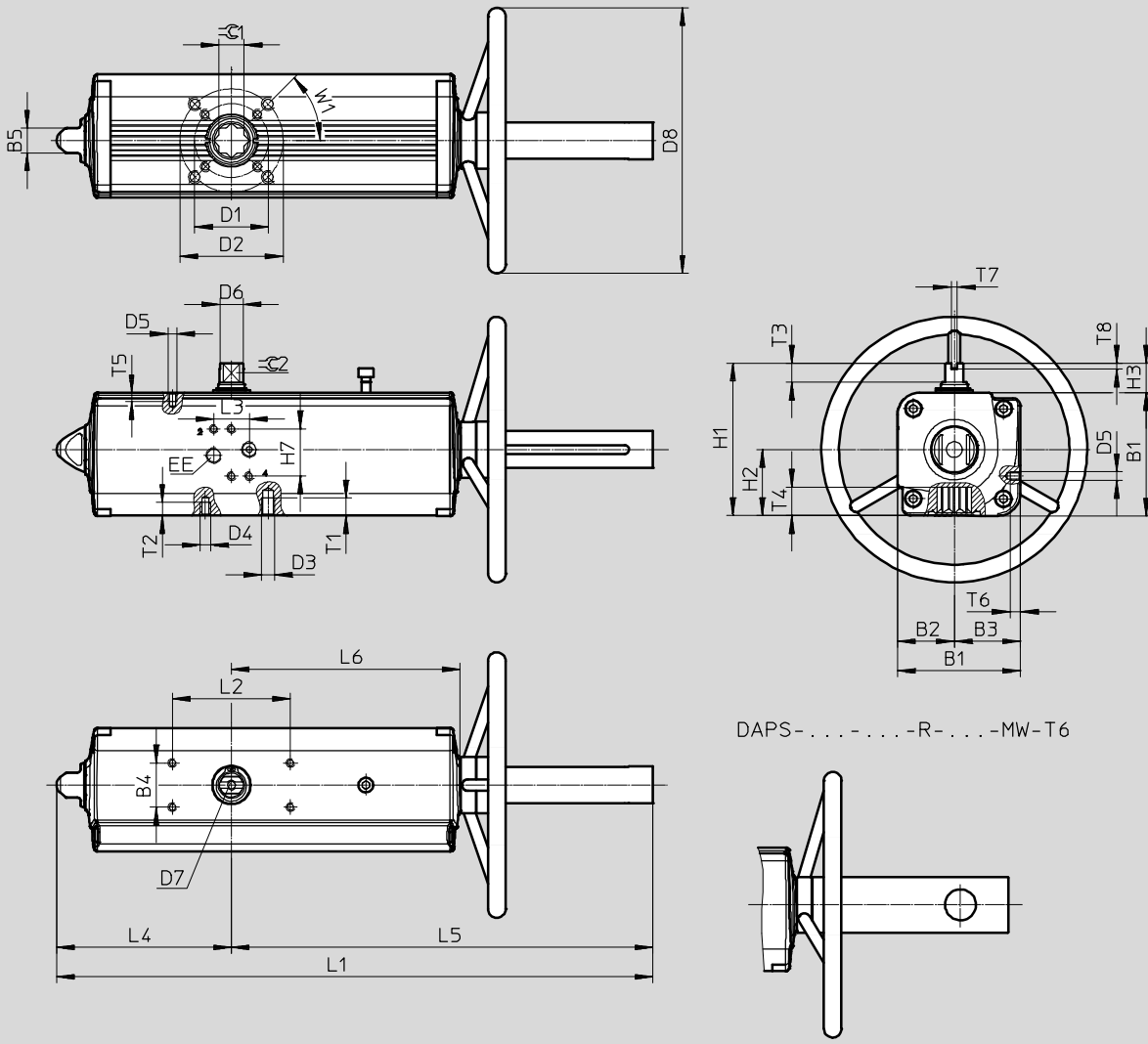
Quarter turn actuators DAPS with handwheel, double-acting

Technical data



Dimensions

Download CAD data → www.festo.com



Quarter turn actuators DAPS with handwheel, double-acting

Technical data

Size	B1 ±0.4	B2	B3	B4	B5	D1 ∅	D2 ∅	D3	D4	D5	D6 ∅	D7
DAPS-0106-...-F0507-...	83.3	38.5	44.8	30	17	50	70	M8	M6	M5	16.2	M6x12
DAPS-0180-...-F0710-...	107.5	51	56.5	30	22	70	102	M10	M8	M5	20.2	M6x12
DAPS-0240-...-F0710-...	111.1	51	60.1	30	22	70	102	M10	M8	M5	22.5	M6x12
DAPS-0360-...-F0710-...	118	56	62	30	22	70	102	M10	M8	M5	25.5	M6x12
DAPS-0480-...-F1012-...	134.9	62	72.9	30	27	102	125	M12	M10	M5	29	M6x12
DAPS-0720-...-F1012-...	148	69.5	78.5	30	27	102	125	M12	M10	M5	31.8	M6x12
DAPS-0960-...-F1012-...	168	74.5	93.5	30	27	102	125	M12	M10	M5	36.5	M6x12
DAPS-0960-...-F14-...	168	74.5	93.5	30	27	-	140	M16	-	M5	36.5	M6x12
DAPS-1440-...-F12-...	186	84.5	101.5	30	36	-	125	M12	-	M5	41	M6x12
DAPS-1440-...-F14-...	186	84.5	101.5	30	36	-	140	M16	-	M5	41	M6x12
DAPS-1920-...-F14-...	207.7	93	114.7	30	36	-	140	M16	-	M5	46	M6x12
DAPS-1920-...-F1216-...	207.7	93	114.7	30	36	125	165	M20	M12	M5	46	M6x12

Size	D8 ∅	EE	H1	H2	H3	H7	L1 ±2	L2	L3	L4	L5	L6
DAPS-0106-...-F0507-...	180	G ¹ / ₈	103.3	44.8	20±0.4	32	403.9	80	24	118.5	285.4	154.8
DAPS-0180-...-F0710-...	220	G ¹ / ₈	137.5	56.5	30±0.4	32	493.2	80	24	144.9	348.3	183.5
DAPS-0240-...-F0710-...	220	G ¹ / ₈	141.1	60.1	30±0.4	32	520.6	80	24	156.8	363.9	199.1
DAPS-0360-...-F0710-...	300	G ¹ / ₈	148	62	30±0.4	32	578.8	80	24	169.6	409.1	220.8
DAPS-0480-...-F1012-...	300	G ¹ / ₄	164.9	72.9	30±0.4	32	618.8	80	24	193.8	425	236.4
DAPS-0720-...-F1012-...	350	G ¹ / ₄	178	78.5	30±0.4	32	732.8	80	24	216.6	516.2	282.3
DAPS-0960-...-F1012-...	350	G ¹ / ₄	198	93.5	30±0.5	32	770.2	80	24	239.7	530.5	297.1
DAPS-0960-...-F14-...	350	G ¹ / ₄	198	93.5	30±0.5	32	770.2	80	24	239.7	530.5	297.1
DAPS-1440-...-F12-...	400	G ¹ / ₄	216	101.5	30±0.5	32	936.9	80	24	283.5	653.4	365.6
DAPS-1440-...-F14-...	400	G ¹ / ₄	216	101.5	30±0.5	32	936.9	80	24	283.5	653.4	365.6
DAPS-1920-...-F14-...	400	G ¹ / ₄	237.7	114.7	30±0.8	32	970.3	80	24	300.4	670	382.9
DAPS-1920-...-F1216-...	400	G ¹ / ₄	237.7	114.7	30±0.8	32	970.3	80	24	300.4	670	382.9

Size	T1	T2	T3	T4	T5	T6	T7 +0.1	T8 +0.3	≈C 1 H11	≈C 2 h11	W1
DAPS-0106-...-F0507-...	12	9	13	19.3±0.4	6	7	4	4	17	12	45°
DAPS-0180-...-F0710-...	15	12	16	24.8±0.4	6	7	4	4	22	15	45°
DAPS-0240-...-F0710-...	15	12	17	24.8±0.4	6	7	4	4	22	15	45°
DAPS-0360-...-F0710-...	15	12	19	24.3±0.4	6	7	4	4	22	19	45°
DAPS-0480-...-F1012-...	18	15	19	29.5±0.4	6	7	4	4	27	19	45°
DAPS-0720-...-F1012-...	18	15	19.5	29.5±0.4	6	7	4	4	27	22	45°
DAPS-0960-...-F1012-...	18	15	19.5	38.5±0.5	6	7	4	4	36	24	45°
DAPS-0960-...-F14-...	24	-	19.5	38.5±0.5	6	7	4	4	36	24	45°
DAPS-1440-...-F12-...	18	-	19.5	38.5±0.5	6	7	4	4	36	27	45°
DAPS-1440-...-F14-...	24	-	19.5	38.5±0.5	6	7	4	4	36	27	45°
DAPS-1920-...-F14-...	24	-	18.5	48.5±0.8	6	7	4	4	46	32	45°
DAPS-1920-...-F1216-...	30	18	18.5	48.5±0.8	6	7	4	4	46	32	45°

Quarter turn actuators DAPS with handwheel, double-acting

Technical data

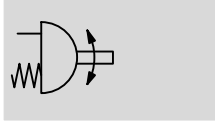
Ordering data – Double-acting		Ordering data – Double-acting	
Part No.	Type	Part No.	Type
Size 0106		Size 0960	
8005002	DAPS-0106-090-R-F0507-MW	8005008	DAPS-0960-090-R-F1012-MW
		8005009	DAPS-0960-090-R-F14-MW
Size 0180		Size 1440	
8005003	DAPS-0180-090-R-F0710-MW	8005010	DAPS-1440-090-R-F12-MW
		8005011	DAPS-1440-090-R-F14-MW
Size 0240		Size 1920	
8005004	DAPS-0240-090-R-F0710-MW	8005013	DAPS-1920-090-R-F1216-MW
		8005012	DAPS-1920-090-R-F14-MW
Size 0360			
8005005	DAPS-0360-090-R-F0710-MW		
Size 0480			
8005006	DAPS-0480-090-R-F1012-MW		
Size 0720			
8005007	DAPS-0720-090-R-F1012-MW		


Ordering data – Double-acting T6		Ordering data – Double-acting T6	
Part No.	Type	Part No.	Type
Size 0106		Size 0960	
8005014	DAPS-0106-090-R-F0507-MW-T6	8005020	DAPS-0960-090-R-F1012-MW-T6
		8005021	DAPS-0960-090-R-F14-MW-T6
Size 0180		Size 1440	
8005015	DAPS-0180-090-R-F0710-MW-T6	8005022	DAPS-1440-090-R-F12-MW-T6
		8005023	DAPS-1440-090-R-F14-MW-T6
Size 0240		Size 1920	
8005016	DAPS-0240-090-R-F0710-MW-T6	8005024	DAPS-1920-090-R-F14-MW-T6
		8005025	DAPS-1920-090-R-F1216-MW-T6
Size 0360			
8005017	DAPS-0360-090-R-F0710-MW-T6		
Size 0480			
8005018	DAPS-0480-090-R-F1012-MW-T6		
Size 0720			
8005019	DAPS-0720-090-R-F1012-MW-T6		

Quarter turn actuators DAPS with handwheel, single-acting



Technical data

Function



 Swivel angle
0 ... 90°



-  Size
0053 ... 0960
-  Torque
0053 ... 0960 Nm

General technical data					
Size	0053	0090	0120	0180	0240
Pneumatic connection	G $\frac{1}{8}$				G $\frac{1}{4}$
Shaft connection depth [mm]	19.3	24.8	24.8	24.3	29.5
End-position adjusting range at 0°	-1 ... 9				
End-position adjusting range at 90°	-81 ... 91				
Note regarding the end-position adjusting range	Optionally one end position adjustable				
Design	Scotch yoke system				
Mode of operation	Single-acting				
Mounting position	Any				
Position sensing	None				
Cushioning	No cushioning				
Swivel angle [°]	90				
Closing direction	Closes to the right				

Size	0360	0480	0720	0960
Pneumatic connection	G $\frac{1}{4}$			
Shaft connection depth [mm]	29.5	38.5	38.5	48.5
End-position adjusting range at 0°	-1 ... 9			
End-position adjusting range at 90°	-81 ... 91			
Note regarding the end-position adjusting range	Optionally one end position adjustable			
Design	Scotch yoke system			
Mode of operation	Single-acting			
Mounting position	Any			
Position sensing	None			
Cushioning	No cushioning			
Swivel angle [°]	90			
Closing direction	Closes to the right			

Quarter turn actuators DAPS with handwheel, single-acting

FESTO

Technical data

Operating and environmental conditions					
Size	0053	0090	0120	0180	0240
Nominal operating pressure [bar]	5.6				
Operating medium	Compressed air in accordance with ISO 8573-1:2010 [7:4:4]				
Note on operating/pilot medium	Lubricated operation possible (in which case lubricated operation will always be required)				
Ambient temperature [°C]	-20 ... 80				
Corrosion resistance class CRC ¹⁾	2				
Connection to process valve as per standard	ISO 5211				
Valve connection conforms to standard	VDI/VDE 3845 (NAMUR)				

Size	0360	0480	0720	0960
Nominal operating pressure [bar]	5.6			
Operating medium	Compressed air in accordance with ISO 8573-1:2010 [7:4:4]			
Note on operating/pilot medium	Lubricated operation possible (in which case lubricated operation will always be required)			
Ambient temperature [°C]	-20 ... 80			
Corrosion resistance class CRC ¹⁾	2			
Connection to process valve as per standard	ISO 5211			
Valve connection conforms to standard	VDI/VDE 3845 (NAMUR)			

1) Corrosion resistance class 2 according to Festo standard 940 070

Components subject to moderate corrosion stress. Externally visible parts with primarily decorative surface requirements which are in direct contact with a normal industrial environment or media such as coolants or lubricating agents.

ATEX	
ATEX category for gas	II 2G
Explosion ignition protection type for gas	c TX X
ATEX category for dust	II 2D
Explosion ignition protection type for dust	c TX X
Explosion-proof temperature	-20 °C ≤ Ta ≤ +60 °C
CE marking (see declaration of conformity)	To EU Explosion Protection Directive (ATEX)

Materials		
Quarter turn actuators		Material number
Housing	Wrought aluminium alloy	–
Cover	Wrought aluminium alloy	–
Shaft	High-alloy steel	1.4305
External screws	High-alloy steel	–
Seals	FPM, NBR, PUR	–
Note on materials	Conforms to RoHS	–

Quarter turn actuators DAPS with handwheel, single-acting

Technical data

Pressure ranges [bar]					
Type	Connection pressure	Operating pressure	Type	Connection pressure	Operating pressure
Size 0053			Size 0480		
DAPS-0053-090-RS1-F0507-MW	2.8	2.8 ... 8.4	DAPS-0480-090-RS1-F1012-MW	2.8	2.8 ... 8.4
DAPS-0053-090-RS2-F0507-MW	3.5	3.5 ... 8.4	DAPS-0480-090-RS1-F14-MW	2.8	2.8 ... 8.4
DAPS-0053-090-RS3-F0507-MW	4.2	4.2 ... 8.4	DAPS-0480-090-RS2-F1012-MW	3.5	3.5 ... 8.4
DAPS-0053-090-RS4-F0507-MW	5.6	5.6 ... 8.4	DAPS-0480-090-RS2-F14-MW	3.5	3.5 ... 8.4
Size 0090			Size 0720		
DAPS-0090-090-RS1-F0710-MW	2.8	2.8 ... 8.4	DAPS-0720-090-RS1-F12-MW	2.8	2.8 ... 8.4
DAPS-0090-090-RS2-F0710-MW	3.5	3.5 ... 8.4	DAPS-0720-090-RS1-F14-MW	2.8	2.8 ... 8.4
DAPS-0090-090-RS3-F0710-MW	4.2	4.2 ... 8.4	DAPS-0720-090-RS2-F12-MW	3.5	3.5 ... 8.4
DAPS-0090-090-RS4-F0710-MW	5.6	5.6 ... 8.4	DAPS-0720-090-RS2-F14-MW	3.5	3.5 ... 8.4
Size 0120			Size 0960		
DAPS-0120-090-RS1-F0710-MW	2.8	2.8 ... 8.4	DAPS-0960-090-RS1-F1216-MW	2.8	2.8 ... 8.4
DAPS-0120-090-RS2-F0710-MW	3.5	3.5 ... 8.4	DAPS-0960-090-RS1-F14-MW	2.8	2.8 ... 8.4
DAPS-0120-090-RS3-F0710-MW	4.2	4.2 ... 8.4	DAPS-0960-090-RS2-F1216-MW	3.5	3.5 ... 8.4
DAPS-0120-090-RS4-F0710-MW	5.6	5.6 ... 8.4	DAPS-0960-090-RS2-F14-MW	3.5	3.5 ... 8.4
Size 0180			Size 0960		
DAPS-0180-090-RS1-F0710-MW	2.8	2.8 ... 8.4	DAPS-0960-090-RS3-F1216-MW	4.2	4.2 ... 8.4
DAPS-0180-090-RS2-F0710-MW	3.5	3.5 ... 8.4	DAPS-0960-090-RS3-F14-MW	4.2	4.2 ... 8.4
DAPS-0180-090-RS3-F0710-MW	4.2	4.2 ... 8.4	DAPS-0960-090-RS4-F1216-MW	5.6	5.6 ... 8.4
DAPS-0180-090-RS4-F0710-MW	5.6	5.6 ... 8.4	DAPS-0960-090-RS4-F14-MW	5.6	5.6 ... 8.4
Size 0240			Size 0960		
DAPS-0240-090-RS1-F1012-MW	2.8	2.8 ... 8.4	DAPS-0960-090-RS4-F1216-MW	5.6	5.6 ... 8.4
DAPS-0240-090-RS2-F1012-MW	3.5	3.5 ... 8.4	DAPS-0960-090-RS4-F14-MW	5.6	5.6 ... 8.4
DAPS-0240-090-RS3-F1012-MW	4.2	4.2 ... 8.4			
DAPS-0240-090-RS4-F1012-MW	5.6	5.6 ... 8.4			
Size 0360					
DAPS-0360-090-RS1-F1012-MW	2.8	2.8 ... 8.4			
DAPS-0360-090-RS2-F1012-MW	3.5	3.5 ... 8.4			
DAPS-0360-090-RS3-F1012-MW	4.2	4.2 ... 8.4			
DAPS-0360-090-RS4-F1012-MW	5.6	5.6 ... 8.4			

Air consumption [l/cycle 0°-90°-0°] at 6 bar			
Size		Size	
0053	1.8	0360	12
0090	3.3	0480	16.8
0120	4.8	0720	25.2
0180	6	0960	35.4
0240	9		

Weight [g]			
Size		Size	
0053	4500	0360	19500
0090	6800	0480	28100
0120	9000	0720	38800
0180	11700	0960	50600
0240	15200		

Quarter turn actuators DAPS with handwheel, single-acting

Technical data

Actual torque [Nm] as a function of operating pressure [bar], spring strength and swivel angle [°]																		
Spring strength	Spring torque [Nm]			Operating pressure [bar]														
				2.5			2.8			3			3.5			4.2		
	0°	50°	90°	0°	50°	90°	0°	50°	90°	0°	50°	90°	0°	50°	90°	0°	50°	90°
DAPS-0053																		
1	17.5	13	26.5	20.2	9.3	11.2	26.5	13	17.5	29.6	14.9	20.6	37.5	19.5	28.5	48.5	26	39.5
2	22	16.5	33	-	-	-	-	-	-	25.1	11.8	14.1	33	16.5	22	44	23.1	33
3	26	19.5	40	-	-	-	-	-	-	-	-	-	29	13	15	40	19.5	26
4	35	26	53	-	-	-	-	-	-	-	-	-	-	-	-	-	-	-
DAPS-0090																		
1	30	22.5	45	34.3	16.1	19.3	45	22.5	30	50.4	25.7	35.4	63.8	33.8	48.8	82.5	45	67.5
2	37.5	28.1	56.3	-	-	-	-	-	-	42.9	20.1	24.1	56.3	28.1	37.5	75.1	39.4	56.3
3	45	33.9	67.5	-	-	-	-	-	-	-	-	-	48.8	22.6	26.3	67.5	33.9	45
4	60	45	90	-	-	-	-	-	-	-	-	-	-	-	-	-	-	-
DAPS-0120																		
1	40	30	60	45.7	21.4	25.7	60	30	40	67.1	34.3	47.1	85	45	65	110	60	90
2	50	37.5	75	-	-	-	-	-	-	57.1	26.8	32.1	75	37.5	50	100	52.5	75
3	60	45	90	-	-	-	-	-	-	-	-	-	65	30	35	90	45	60
4	80	60	120	-	-	-	-	-	-	-	-	-	-	-	-	-	-	-
DAPS-0180																		
1	60	45	90	68.6	32.1	38.6	90	45	60	100.7	51.4	70.7	127.5	67.5	97.5	165	90	135
2	75	56.3	112.5	-	-	-	-	-	-	85.7	40.2	48.2	112.5	56.3	75	150	78.8	112.5
3	90	67.5	135	-	-	-	-	-	-	-	-	-	97.5	45	52.5	135	67.5	90
4	120	90	180	-	-	-	-	-	-	-	-	-	-	-	-	-	-	-
DAPS-0240																		
1	80	60	120	91.4	42.9	51.4	120	60	80	134.3	68.6	94.3	170	90	130	220	120	180
2	100	75	150	-	-	-	-	-	-	114.3	53.6	64.3	150	75	100	200	105	150
3	120	90	180	-	-	-	-	-	-	-	-	-	130	60	70	180	90	120
4	160	120	240	-	-	-	-	-	-	-	-	-	-	-	-	-	-	-

Quarter turn actuators DAPS with handwheel, single-acting

Technical data

Actual torque [Nm] as a function of operating pressure [bar], spring strength and swivel angle [°]																		
Spring strength	Spring torque [Nm]			Operating pressure [bar]														
				5			5.6			6			7			8		
	0°	50°	90°	0°	50°	90°	0°	50°	90°	0°	50°	90°	0°	50°	90°	0°	50°	90°
DAPS-0053																		
1	17.5	13	26.5	-			-			-			-			-		
2	22	16.5	33	56.6	30.6	45.6	66	36.3	55	-			-			-		
3	26	19.5	40	52.6	26.9	38.6	62	32.5	48	68.3	36.2	54.3	84	45.5	70	99.7	54.8	85.7
4	35	26	53	43.6	20.4	25.6	53	26	35	59.3	29.7	41.3	75	39	57	90.7	48.3	72.7
DAPS-0090																		
1	30	22.5	45	-			-			-			-			-		
2	37.5	28.1	56.3	96.5	52.2	77.7	112.6	61.9	93.8	-			-			-		
3	45	33.9	67.5	88.9	46.8	66.4	105	56.5	82.5	115.7	63	93.2	142.5	79.1	120	169.3	95.2	146.8
4	60	45	90	73.9	35.4	43.9	90	45	60	100.7	51.4	70.7	127.5	67.5	97.5	154.3	83.6	124.3
DAPS-0120																		
1	40	30	60	-			-			-			-			-		
2	50	37.5	75	128.6	69.6	103.6	150	82.5	125	-			-			-		
3	60	45	90	118.6	62.1	88.6	140	75	110	154.3	83.6	124.3	190	105	160	225.7	126.4	195.7
4	80	60	120	98.6	47.1	58.6	120	60	80	134.3	68.6	94.3	170	90	130	205.7	111.4	165.7
DAPS-0180																		
1	60	45	90	-			-			-			-			-		
2	75	56.3	112.5	192.9	104.5	155.4	225	123.8	187.5	-			-			-		
3	90	67.5	135	177.9	93.2	132.9	210	112.5	165	231.4	125.4	186.4	285	157.5	240	338.6	189.6	293.6
4	120	90	180	147.9	70.7	87.9	180	90	120	201.4	102.9	141.4	255	135	195	308.6	167.1	248.6
DAPS-0240																		
1	80	60	120	-			-			-			-			-		
2	100	75	150	257.1	139.3	207.1	300	165	250	-			-			-		
3	120	90	180	237.1	124.3	177.1	280	150	220	308.6	167.1	248.6	380	210	320	451.4	252.9	391.4
4	160	120	240	197.1	94.3	117.1	240	120	160	268.6	137.1	188.6	340	180	260	411.4	222.9	331.4

Torque for size at 5.6 bar and swivel angle 0°

Quarter turn actuators DAPS with handwheel, single-acting


Technical data

Actual torque [Nm] as a function of operating pressure [bar], spring strength and swivel angle [°]																		
Spring strength	Spring torque [Nm]			Operating pressure [bar]														
				2.5			2.8			3			3.5			4.2		
	0°	50°	90°	0°	50°	90°	0°	50°	90°	0°	50°	90°	0°	50°	90°	0°	50°	90°
DAPS-0360																		
1	120	90	180	137.1	64.3	77.1	180	90	120	201.4	102.9	141.4	255	135	195	330	180	270
2	150	112.5	225	-	-	-	-	-	-	171.4	80.4	96.4	225	112.5	150	300	157.5	225
3	180	135	270	-	-	-	-	-	-	-	-	-	195	90	105	270	135	180
4	240	180	360	-	-	-	-	-	-	-	-	-	-	-	-	-	-	-
DAPS-0480																		
1	160	120	240	182.9	85.7	102.9	240	120	160	268.6	137.1	188.6	340	180	260	440	240	360
2	200	150	300	-	-	-	-	-	-	228.6	107.1	128.6	300	150	200	400	210	300
3	240	180	360	-	-	-	-	-	-	-	-	-	260	120	140	360	180	240
4	320	240	480	-	-	-	-	-	-	-	-	-	-	-	-	-	-	-
DAPS-0720																		
1	240	180	360	274.3	128.6	154.3	360	180	240	402.9	205.7	282.9	510	270	390	660	360	540
2	300	225	450	-	-	-	-	-	-	342.9	160.7	192.9	450	225	300	600	315	450
3	360	270	540	-	-	-	-	-	-	-	-	-	390	180	210	540	270	360
4	480	360	720	-	-	-	-	-	-	-	-	-	-	-	-	-	-	-
DAPS-0960																		
1	320	240	480	366	171	206	480	240	320	537	274	377	680	360	520	880	480	720
2	400	300	600	-	-	-	-	-	-	457	214	257	600	300	400	800	420	600
3	480	360	720	-	-	-	-	-	-	-	-	-	520	240	280	720	360	480
4	640	480	960	-	-	-	-	-	-	-	-	-	-	-	-	-	-	-

Quarter turn actuators DAPS with handwheel, single-acting

Technical data

Actual torque [Nm] as a function of operating pressure [bar], spring strength and swivel angle [°]																			
Spring strength	Spring torque [Nm]			Operating pressure [bar]															
				5			5.6			6			7			8			
	0°	50°	90°	0°	50°	90°	0°	50°	90°	0°	50°	90°	0°	50°	90°	0°	50°	90°	
DAPS-0360																			
1	120	90	180	-			-			-			-			-			
2	150	112.5	225	385.7	208.9	310.7	450	247.5	375	-			-			-			
3	180	135	270	355.7	186.4	265.7	420	225	330	462.9	250.7	372.9	570	315	480	677.1	379.3	587.1	
4	240	180	360	295.7	141.4	175.7	360	180	240	402.9	205.7	282.9	510	270	390	617.1	334.3	497.1	
DAPS-0480																			
1	160	120	240	-			-			-			-			-			
2	200	150	300	514.3	278.6	414.3	600	330	500	-			-			-			
3	240	180	360	474.3	248.6	354.3	560	300	440	617.1	334.3	497.1	760	420	640	902.9	505.7	782.9	
4	320	240	480	394.3	188.6	234.3	480	240	320	537.1	274.3	377.1	680	360	520	822.9	445.7	662.9	
DAPS-0720																			
1	240	180	360	-			-			-			-			-			
2	300	225	450	771.4	417.9	621.4	900	495	750	-			-			-			
3	360	270	540	711.4	372.9	531.4	840	450	660	925.7	501.4	745.7	1140	630	960	1354	758.6	1,174	
4	480	360	720	591.4	282.9	351.4	720	360	480	805.7	411.4	565.7	1020	540	780	1234	668.6	994.3	
DAPS-0960																			
1	320	240	480	-			-			-			-			-			
2	400	300	600	1029	557	829	1200	660	1000	-			-			-			
3	480	360	720	949	497	709	1120	600	880	1234	669	994	1520	840	1280	1806	1011	1566	
4	640	480	960	789	377	469	960	480	640	1074	549	754	1360	720	1040	1646	891	1326	

 Torque for size at 5.6 bar and swivel angle 0°

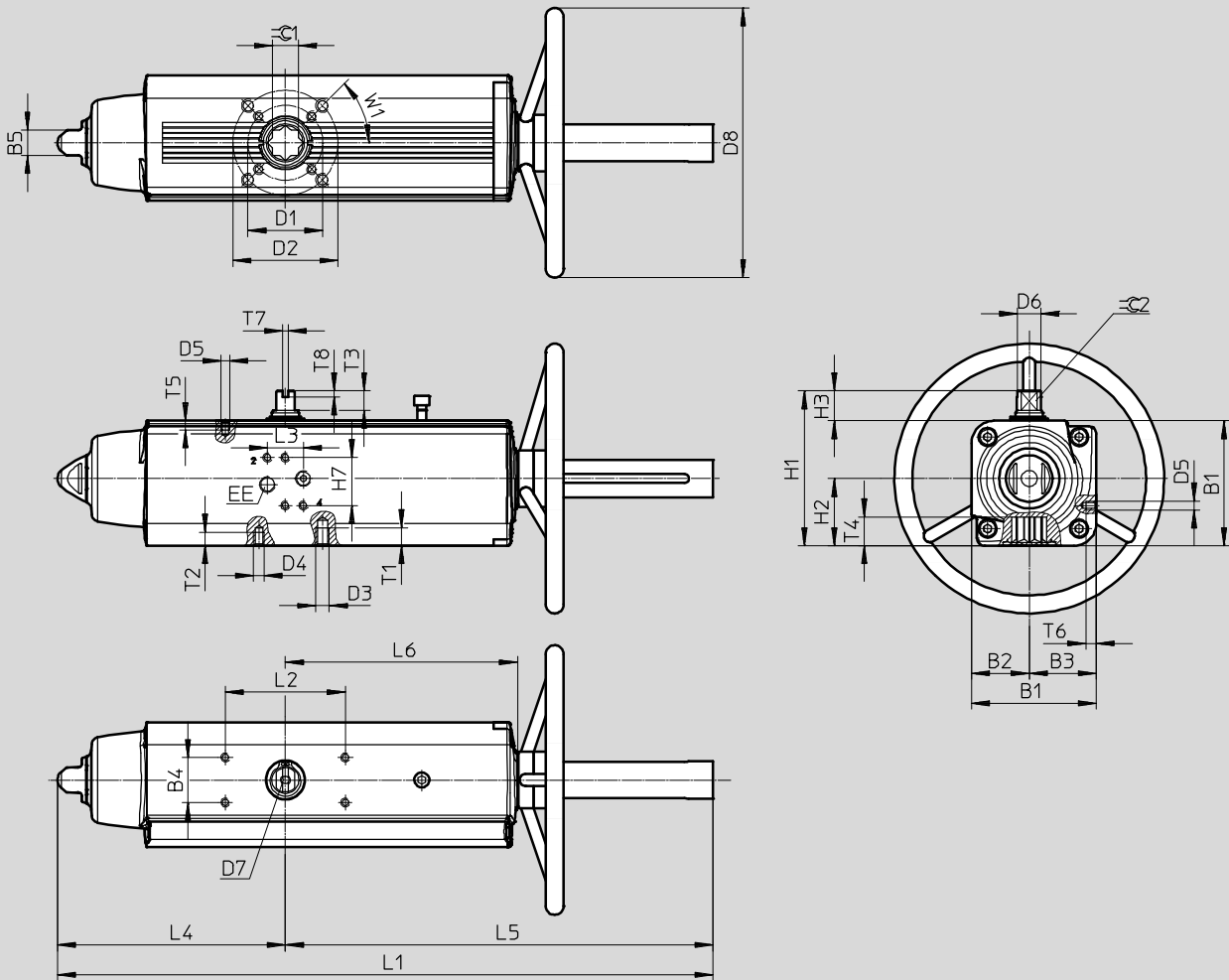
Quarter turn actuators DAPS with handwheel, single-acting

Technical data

FESTO

Dimensions

Download CAD data → www.festo.com



Quarter turn actuators DAPS with handwheel, single-acting

Technical data

Size	B1 ±0.4	B2	B3	B4	B5	D1 ∅	D2 ∅	D3	D4	D5	D6 ∅	D7
DAPS-0053-...-F0507-...	83.3	38.5	44.8	30	17	50	70	M8	M6	M5	16.2	M6x12
DAPS-0090-...-F0710-...	107.5	51	56.5	30	22	70	102	M10	M8	M5	20.2	M6x12
DAPS-0120-...-F0710-...	111.1	51	60.1	30	22	70	102	M10	M8	M5	22.5	M6x12
DAPS-0180-...-F0710-...	118	56	62	30	22	70	102	M10	M8	M5	25.5	M6x12
DAPS-0240-...-F1012-...	134.9	62	72.9	30	27	102	125	M12	M10	M5	29	M6x12
DAPS-0360-...-F1012-...	148	69.5	78.5	30	27	102	125	M12	M10	M5	31.8	M6x12
DAPS-0480-...-F1012-...	168	74.5	93.5	30	27	102	125	M12	M10	M5	36.5	M6x12
DAPS-0480-...-F14-...	168	74.5	93.5	30	27	-	140	M16	-	M5	36.5	M6x12
DAPS-0720-...-F12-...	186	84.5	101.5	30	36	-	125	M12	-	M5	41	M6x12
DAPS-0720-...-F14-...	186	84.5	101.5	30	36	-	140	M16	-	M5	41	M6x12
DAPS-0960-...-F14-...	207.7	93	114.7	30	36	-	140	M16	-	M5	46	M6x12
DAPS-0960-...-F1216-...	207.7	93	114.7	30	36	125	165	M20	M12	M5	46	M6x12

Size	D8 ∅	EE	H1	H2	H3	H7	L1 ±2	L2	L3	L4	L5	L6
DAPS-0053-...-F0507-...	180	G $\frac{1}{8}$	103.3	44.8	20±0.4	32	437.5	80	24	152.1	285.4	154.8
DAPS-0090-...-F0710-...	220	G $\frac{1}{8}$	137.5	56.5	30±0.4	32	545.1	80	24	196.8	348.3	183.5
DAPS-0120-...-F0710-...	220	G $\frac{1}{8}$	141.1	60.1	30±0.4	32	568.6	80	24	204.8	363.9	199.1
DAPS-0180-...-F0710-...	300	G $\frac{1}{8}$	148	62	30±0.4	32	646.1	80	24	237	409.1	220.8
DAPS-0240-...-F1012-...	300	G $\frac{1}{4}$	164.9	72.9	30±0.4	32	685.2	80	24	260.2	425	236.4
DAPS-0360-...-F1012-...	350	G $\frac{1}{4}$	178	78.5	30±0.4	32	822.8	80	24	306.6	516.2	282.3
DAPS-0480-...-F1012-...	350	G $\frac{1}{4}$	198	93.5	30±0.5	32	854.6	80	24	324.1	530.5	297.1
DAPS-0480-...-F14-...	350	G $\frac{1}{4}$	198	93.5	30±0.5	32	854.6	80	24	324.1	530.5	297.1
DAPS-0720-...-F12-...	400	G $\frac{1}{4}$	216	101.5	30±0.5	32	1052.4	80	24	399	653.4	365.6
DAPS-0720-...-F14-...	400	G $\frac{1}{4}$	216	101.5	30±0.5	32	1052.4	80	24	399	653.4	365.6
DAPS-0960-...-F14-...	400	G $\frac{1}{4}$	237.7	114.7	30±0.8	32	1084	80	24	414	670	382.9
DAPS-0960-...-F1216-...	400	G $\frac{1}{4}$	237.7	114.7	30±0.8	32	1084	80	24	414	670	382.9

Size	T1	T2	T3	T4	T5	T6	T7 +0.1	T8 +0.3	≈C 1 H11	≈C 2 h11	W1
DAPS-0053-...-F0507-...	12	9	13	19.3±0.4	6	7	4	4	17	12	45°
DAPS-0090-...-F0710-...	15	12	16	24.8±0.4	6	7	4	4	22	15	45°
DAPS-0120-...-F0710-...	15	12	17	24.8±0.4	6	7	4	4	22	15	45°
DAPS-0180-...-F0710-...	15	12	19	24.3±0.4	6	7	4	4	22	19	45°
DAPS-0240-...-F1012-...	18	15	19	29.5±0.4	6	7	4	4	27	19	45°
DAPS-0360-...-F1012-...	18	15	19.5	29.5±0.4	6	7	4	4	27	22	45°
DAPS-0480-...-F1012-...	18	15	19.5	38.5±0.5	6	7	4	4	36	24	45°
DAPS-0480-...-F14-...	24	-	19.5	38.5±0.5	6	7	4	4	36	24	45°
DAPS-0720-...-F12-...	18	-	19.5	38.5±0.5	6	7	4	4	36	27	45°
DAPS-0720-...-F14-...	24	-	19.5	38.5±0.5	6	7	4	4	36	27	45°
DAPS-0960-...-F14-...	24	-	18.5	48.5±0.8	6	7	4	4	46	32	45°
DAPS-0960-...-F1216-...	30	18	18.5	48.5±0.8	6	7	4	4	46	32	45°

Quarter turn actuators DAPS with handwheel, single-acting

FESTO

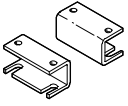
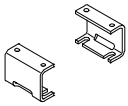
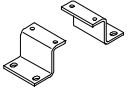
Technical data

Ordering data – Single-acting		Ordering data – Single-acting	
Part No.	Type	Part No.	Type
Size 0053		Size 0480	
8005026	DAPS-0053-090-RS1-F0507-MW	8005050	DAPS-0480-090-RS1-F1012-MW
8005027	DAPS-0053-090-RS2-F0507-MW	8005051	DAPS-0480-090-RS1-F14-MW
8005028	DAPS-0053-090-RS3-F0507-MW	8005052	DAPS-0480-090-RS2-F1012-MW
8005029	DAPS-0053-090-RS4-F0507-MW	8005053	DAPS-0480-090-RS2-F14-MW
Size 0090		8005054	DAPS-0480-090-RS3-F1012-MW
8005030	DAPS-0090-090-RS1-F0710-MW	8005055	DAPS-0480-090-RS3-F14-MW
8005031	DAPS-0090-090-RS2-F0710-MW	8005056	DAPS-0480-090-RS4-F1012-MW
8005032	DAPS-0090-090-RS3-F0710-MW	8005057	DAPS-0480-090-RS4-F14-MW
8005033	DAPS-0090-090-RS4-F0710-MW	Size 0720	
Size 0120		8005058	DAPS-0720-090-RS1-F12-MW
8005034	DAPS-0120-090-RS1-F0710-MW	8005059	DAPS-0720-090-RS1-F14-MW
8005035	DAPS-0120-090-RS2-F0710-MW	8005060	DAPS-0720-090-RS2-F12-MW
8005036	DAPS-0120-090-RS3-F0710-MW	8005061	DAPS-0720-090-RS2-F14-MW
8005037	DAPS-0120-090-RS4-F0710-MW	8005062	DAPS-0720-090-RS3-F12-MW
Size 0180		8005063	DAPS-0720-090-RS3-F14-MW
8005038	DAPS-0180-090-RS1-F0710-MW	8005064	DAPS-0720-090-RS4-F12-MW
8005039	DAPS-0180-090-RS2-F0710-MW	8005065	DAPS-0720-090-RS4-F14-MW
8005040	DAPS-0180-090-RS3-F0710-MW	Size 0960	
8005041	DAPS-0180-090-RS4-F0710-MW	8005067	DAPS-0960-090-RS1-F1216-MW
Size 0240		8005066	DAPS-0960-090-RS1-F14-MW
8005042	DAPS-0240-090-RS1-F1012-MW	8005069	DAPS-0960-090-RS2-F1216-MW
8005043	DAPS-0240-090-RS2-F1012-MW	8005068	DAPS-0960-090-RS2-F14-MW
8005044	DAPS-0240-090-RS3-F1012-MW	8005071	DAPS-0960-090-RS3-F1216-MW
8005045	DAPS-0240-090-RS4-F1012-MW	8005070	DAPS-0960-090-RS3-F14-MW
Size 0360		8005073	DAPS-0960-090-RS4-F1216-MW
8005046	DAPS-0360-090-RS1-F1012-MW	8005072	DAPS-0960-090-RS4-F14-MW
8005047	DAPS-0360-090-RS2-F1012-MW		
8005048	DAPS-0360-090-RS3-F1012-MW		
8005049	DAPS-0360-090-RS4-F1012-MW		

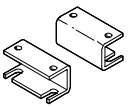
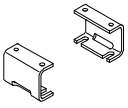
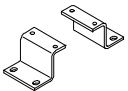
Quarter turn actuators DAPS

Accessories

FESTO

Ordering data – Adapter kits for mounting the sensor boxes SRBP, SRAP										
	Size	Dimensions [mm]	CRC ¹⁾	Part No.	Type					
DAPS – Double-acting										
	DAPS-0015- ... -F03	20x30x80	3	568275	DASB-P1-HA-SB					
	DAPS-0015- ... -F04									
	DAPS-0030- ... -F0305									
	DAPS-0030- ... -F04									
	DAPS-0060- ... -F04									
	DAPS-0060- ... -F0507									
	DAPS-0106- ... -F0507									
	DAPS-0180- ... -F0710	30x30x80		572418	DASB-P1-HB-SB					
	DAPS-0240- ... -F0710									
	DAPS-0360- ... -F0710									
	DAPS-0480- ... -F1012									
	DAPS-0720- ... -F1012									
	DAPS-0960- ... -F12									
	DAPS-0960- ... -F14									
	DAPS-1440- ... -F12									
	DAPS-1440- ... -F14									
	DAPS-1920- ... -F14									
	DAPS-1920- ... -F1216									
						DAPS-2880- ... -F16	30x30x130		572419	DASB-P1-HC-SB
						DAPS-3840- ... -F16				
DAPS-5760- ... -F25										
DAPS-8000- ... -F25										

1) Corrosion resistance class 3 according to Festo standard 940 070
 Components subject to high corrosion stress. Externally visible parts with primarily functional surface requirements which are in direct contact with a normal industrial environment or media such as solvents and cleaning agents.

Ordering data – Adapter kits for mounting the sensor boxes SRBP, SRAP					
	Size	Dimensions [mm]	CRC ¹⁾	Part No.	Type
DAPS – Single-acting					
	DAPS-0015- ... -F0305	20x30x80	3	568275	DASB-P1-HA-SB
	DAPS-0015- ... -F04				
	DAPS-0030- ... -F04				
	DAPS-0030- ... -F0507				
	DAPS-0053- ... -F0507				
	DAPS-0090- ... -F0710	30x30x80		572418	DASB-P1-HB-SB
	DAPS-0120- ... -F0710				
	DAPS-0180- ... -F0710				
	DAPS-0240- ... -F1012				
	DAPS-0360- ... -F1012				
	DAPS-0480- ... -F12				
	DAPS-0480- ... -F14				
	DAPS-0720- ... -F12				
	DAPS-0720- ... -F14				
	DAPS-0960- ... -F14				
	DAPS-0960- ... -F1216				
	DAPS-1440- ... -F16	30x30x130		572419	DASB-P1-HC-SB
	DAPS-1920- ... -F16				
	DAPS-2880- ... -F16				
	DAPS-4000- ... -F25				

1) Corrosion resistance class 3 according to Festo standard 940 070
 Components subject to high corrosion stress. Externally visible parts with primarily functional surface requirements which are in direct contact with a normal industrial environment or media such as solvents and cleaning agents.