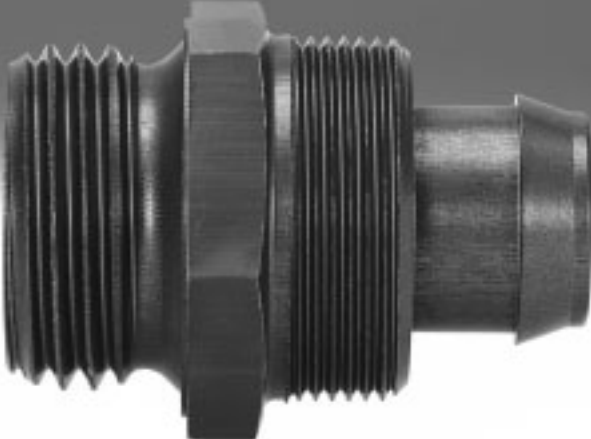


Quick connectors

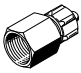




FESTO



Quick connectors

Product range overview

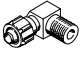

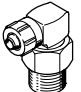

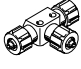

FESTO

| Design | Design | Type | Connection D1 | | Tubing I.D. | → Page/ Internet |
|---|---|-------------------------|-----------------|------------------------|------------------------|------------------|
| | | | M thread | G thread | | |
| Straight | Quick connector – Female thread with sealing ring | | | | | |
| |  | ACK Aluminium design | – | G $\frac{1}{8}$ | 3, 4, 6 | 5 |
| | | | – | G $\frac{1}{4}$ | 4, 6 | |
| | | | – | G $\frac{3}{8}$ | 6, 9 | |
| | | | – | G $\frac{1}{2}$ | 13 | |
| | Quick connector – Male thread with sealing ring | | | | | |
| |  | CK Metal design | M5 | – | 3, 4 | 6 |
| | | | – | G $\frac{1}{8}$ | 3, 4, 6 | |
| | | | – | G $\frac{1}{4}$ | 4, 6, 9 | |
| | | | – | G $\frac{3}{8}$ | 6, 9, 13 | |
| | | | – | G $\frac{1}{2}$ | 13 | |
| | CK-...-KU Polymer design | – | G $\frac{1}{8}$ | 3, 4, 6 | 7 | |
| | | – | G $\frac{1}{4}$ | 4, 6, 9 | | |
| | | – | G $\frac{3}{8}$ | 6, 9 | | |
| | Bulkhead quick connector – Female thread with sealing ring | | | | | |
| |  | QCK | M5 | – | PK-3 | 8 |
| | | | – | G $\frac{1}{8}$ | PK-4 | |
| | | | – | G $\frac{1}{4}$ | PK-6 | |
| | | | – | G $\frac{3}{8}$ | PK-9 | |
| | Bulkhead quick connector | | | | | |
| |  | SCK Aluminium design | – | – | PK-3, PK-4, PK-6, PK-9 | 9 |
| SCK-...-KU Polymer design | | – | – | PK-3, PK-4, PK-6, PK-9 | 9 | |
| End cap for plastic tube connectors and barbed connectors | | | | | | |
|  | CV-PK | – | – | 3, 4, 6, 9 | 10 | |

Quick connectors

Product range overview

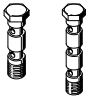

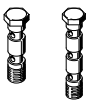

FESTO

| Design | Design | Type | Connection D1 | | | Tubing I.D. | → Page/ Internet | | |
|---|---|------------------------------|---------------|----------|----------|----------------|------------------|---------|----------|
| | | | M thread | R thread | G thread | | | | |
| L-shape | Elbow quick connector | | | | | | | | |
| |  | GCK-...-KU Polymer design | - | R1/8 | - | - | 4, 6 | 11 | |
| | | | | R1/4 | | | 4, 6 | | |
| | | | | R3/8 | | | 6, 9 | | |
| | Elbow quick connector with 2 sealing rings, orientable | | | | | | | | |
| |  | LCK Metal design | M5 | - | - | - | 3, 4 | 12 | |
| | | | | | | | G1/8 | | 3, 4, 6 |
| | | | | | | | G1/4 | | 4, 6, 9 |
| | | | | | | | G3/8 | | 6, 9, 13 |
| | | | | | | | G1/2 | | 13 |
| LCK-...-KU Polymer design | - | - | - | - | G1/8 | 4, 6 | 12 | | |
| | | | | | | G1/4 | | 4, 6 | |
| Elbow quick connector with sealing ring, orientable | | | | | | | | | |
|  | LCKN Metal design | M5 | - | - | - | 3, 4 | 13 | | |
| | | | | | | G1/8 | | 3, 4, 6 | |
| | | | | | | G1/4 | | 4, 6 | |
| | | | | | | G3/8 | | 6 | |
| T-shape | T quick connector with 2 sealing rings, orientable | | | | | | | | |
| |  | TCK Metal design | M5 | - | - | - | 3, 4 | 14 | |
| | | | | | | | G1/8 | | 3, 4, 6 |
| | | | | | | | G1/4 | | 4, 6 |
| | | | | | | | G3/8 | | 6, 9 |
| | | | | | | | G1/2 | | 13 |
| | TCK-...-KU Polymer design | - | - | - | - | G1/8 | 4, 6 | 14 | |
| | | | | | | | G1/4 | | 4, 6 |
| | T-distributor | | | | | | | | |
| |  | FCK-...-KU | - | - | - | - | 3 | 15 | |
| 4 | | | | | | | | | |
| 6 | | | | | | | | | |
| 9 | | | | | | | | | |
| Union nut for CK tube connector | | | | | | | | | |
|  | MCK Metal design | - | - | - | - | 3, 4, 6, 9, 13 | 16 | | |
| | MCK-...-KU Polymer design | - | - | - | - | 3, 4, 6, 9 | 16 | | |

Quick connectors

Product range overview

FESTO

| Design | Design | Type | Connection D1 | | Tubing I.D. | → Page/ Internet |
|----------------------|---|-------------------------------|---------------|---|-------------|---------------------|
| | | | M thread | G thread | | |
| Multiple distributor | Combination hollow bolt VT with ring piece LK | | | | | |
| |  | VT-...-2 for 2 ring pieces | M5 | G $\frac{1}{8}$, G $\frac{1}{4}$, G $\frac{3}{8}$ | – | 17 |
| | | VT-...-3 for 3 ring pieces | M5 | G $\frac{1}{8}$, G $\frac{1}{4}$, G $\frac{3}{8}$ | – | 17 |
| |  | LK Metal design | – | – | 3, 4, 6 | 17 |
| | | LK-...-KU Polymer design | – | – | 4, 6 | 17 |
| | Combination hollow bolt VT with ring piece TK | | | | | |
| |  | VT-...-2 for 2 ring pieces | M5 | G $\frac{1}{8}$, G $\frac{1}{4}$, G $\frac{3}{8}$ | – | 18 |
| | | VT-...-3 for 3 ring pieces | M5 | G $\frac{1}{8}$, G $\frac{1}{4}$, G $\frac{3}{8}$ | – | 18 |
| |  | TK Metal design | – | – | 3, 4, 6 | 18 |
| | | TK-...-KU Polymer design | – | – | 4, 6 | 18 |

Quick connectors ACK

Technical data

Quick connector ACK
Female thread with sealing ring

Materials:
Threaded plug: Aluminium
Union nut: Aluminium

Note on materials:
RoHS-compliant

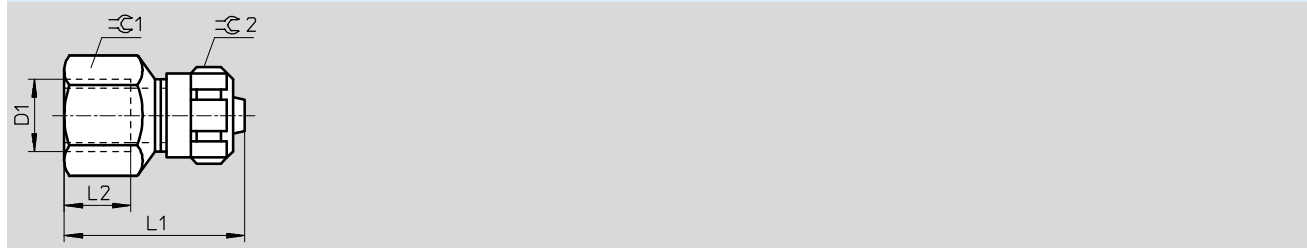


| General technical data | |
|-------------------------------|--------------|
| Mounting position | Any |
| Type of seal on threaded plug | Sealing ring |

| Operating and environmental conditions | |
|--|---|
| Operating medium | Compressed air in accordance with ISO 8573-1:2010 [7:-:-] |
| | Water as per manufacturer's declaration at www.festo.com |
| Note on operating/pilot medium | Operation with lubricated medium possible |
| Ambient temperature [°C] | -10 ... +60 |
| Corrosion resistance class CRC ¹⁾ | 2 |

1) Corrosion resistance class CRC 2 to Festo standard FN 940070
Moderate corrosion stress. Indoor applications in which condensation may occur. External visible parts with primarily decorative requirements for the surface and which are in direct contact with the ambient atmosphere typical for industrial applications.

Dimensions Download CAD data → www.festo.com



| Pneumatic connection | | | Nominal size [mm] | L1 | L2 | C1 | C2 | Part No. | Type | PU ¹⁾ |
|-------------------------------|----------------------|----------------------|-------------------|------|----|----|----|----------|---|------------------|
| Female thread D1 | For tubing O.D. [mm] | For tubing I.D. [mm] | | | | | | | | |
| G ¹ / ₈ | 4 | - | 2.4 | 23.9 | 9 | 13 | 8 | 5664 | ACK- ¹ / ₈ -PK-3 | 10 |
| | 6 | - | 3.4 | 27 | 9 | 13 | 12 | 3714 | ACK- ¹ / ₈ -PK-4 | 10 |
| | 8 | - | 5.3 | 27 | 9 | 13 | 14 | 7842 | ACK- ¹ / ₈ -PK-6 | 10 |
| G ¹ / ₄ | 6 | - | 3.4 | 30 | 12 | 17 | 12 | 3713 | ACK- ¹ / ₄ -PK-4 | 10 |
| | 8 | - | 5.3 | 30 | 12 | 17 | 14 | 3712 | ACK- ¹ / ₄ -PK-6 | 10 |
| G ³ / ₈ | 8 | - | 5.3 | 31 | 12 | 19 | 14 | 3711 | ACK- ³ / ₈ -PK-6 | 10 |
| | - | 9 | 8 | 37.4 | 15 | 19 | 19 | 3710 | ACK- ³ / ₈ -PK-9 | 10 |
| G ¹ / ₂ | - | 13 | 12 | 40.2 | 15 | 27 | 24 | 4099 | ACK- ¹ / ₂ -PK-13 | 1 |

1) Packaging unit quantity

Quick connectors CK

Technical data



Quick connector CK
Metal design
Male thread with sealing ring

Materials:
Threaded plug
M thread: Galvanised steel
G thread: Aluminium
Union nut: Aluminium

Note on materials:
RoHS-compliant

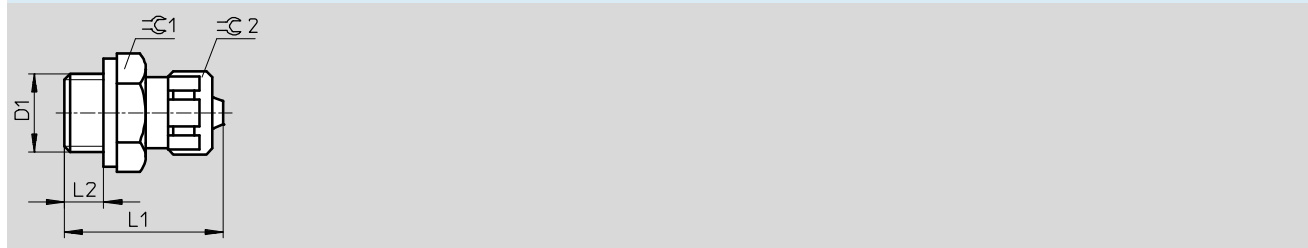


| General technical data | |
|-------------------------------|--------------|
| Mounting position | Any |
| Type of seal on threaded plug | Sealing ring |

| Operating and environmental conditions | |
|--|---|
| Operating medium | Compressed air in accordance with ISO 8573-1:2010 [7:--:-] |
| | Water as per manufacturer's declaration at www.festo.com |
| Note on operating/pilot medium | Operation with lubricated medium possible |
| Ambient temperature [°C] | -10 ... +60 |
| Corrosion resistance class CRC ¹⁾ | 2 |
| Certification | Germanischer Lloyd |

1) Corrosion resistance class CRC 2 to Festo standard FN 940070
Moderate corrosion stress. Indoor applications in which condensation may occur. External visible parts with primarily decorative requirements for the surface and which are in direct contact with the ambient atmosphere typical for industrial applications.

Dimensions Download CAD data → www.festo.com



| Pneumatic connection | | Nominal size [mm] | L1 | L2 | G | G1 | Part No. | Type | PU ¹⁾ |
|-------------------------------|----------------------|-------------------|------|------|-----|----|----------|--|------------------|
| Male thread D1 | For tubing O.D. [mm] | | | | | | | | |
| M5 | 4 | – | 2.0 | 19.3 | 3.8 | 7 | 3561 | CK-M5-PK-3 | 10 |
| | 6 | – | 2.9 | 21.5 | 3.8 | 10 | 3562 | CK-M5-PK-4 | 10 |
| G ¹ / ₈ | 4 | – | 2.0 | 21.6 | 4.9 | 13 | 3563 | CK- ¹ / ₈ -PK-3 | 10 |
| | 6 | – | 2.9 | 24.7 | 4.9 | 13 | 2027 | CK- ¹ / ₈ -PK-4 | 10 |
| | 8 | – | 4.9 | 24.8 | 4.9 | 13 | 2028 | CK- ¹ / ₈ -PK-6 | 10 |
| G ¹ / ₄ | 6 | – | 2.9 | 27.2 | 5.8 | 17 | 2029 | CK- ¹ / ₄ -PK-4 | 10 |
| | 8 | – | 4.9 | 27.3 | 5.8 | 17 | 2030 | CK- ¹ / ₄ -PK-6 | 10 |
| | – | 9 | 8 | 30.6 | 5.8 | 17 | 2031 | CK- ¹ / ₄ -PK-9 | 10 |
| | – | – | – | – | – | – | – | – | – |
| G ³ / ₈ | 8 | – | 4.9 | 28.3 | 6.8 | 19 | 2032 | CK- ³ / ₈ -PK-6 | 10 |
| | – | 9 | 8 | 31.6 | 6.8 | 19 | 2033 | CK- ³ / ₈ -PK-9 | 10 |
| | – | 13 | 11.7 | 33.2 | 6.8 | 24 | 4097 | CK- ³ / ₈ -PK-13 | 10 |
| G ¹ / ₂ | – | 13 | 11.7 | 34.7 | 8.5 | 24 | 4098 | CK- ¹ / ₂ -PK-13 | 1 |

1) Packaging unit quantity

Quick connectors CK

Technical data

FESTO

Quick connector CK-...-KU

Polymer design

Male thread with moulded-on sealing edge

Materials:

Threaded plug: POM

Union nut: POM

Note on materials:

RoHS-compliant



General technical data

| | |
|-------------------------------|--------------|
| Mounting position | Any |
| Type of seal on threaded plug | Sealing edge |

Operating and environmental conditions

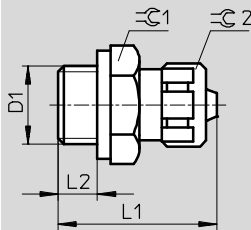
| | |
|--|--|
| Operating pressure [bar] | 0 ... 10 |
| Operating medium | Compressed air in accordance with ISO 8573-1:2010 [7:-:-] Water as per manufacturer's declaration at www.festo.com |
| Note on operating/pilot medium | Operation with lubricated medium possible |
| Ambient temperature [°C] | -10 ... +60 |
| Corrosion resistance class CRC ¹⁾ | 2 |
| Certification | Germanischer Lloyd |

1) Corrosion resistance class CRC 2 to Festo standard FN 940070

Moderate corrosion stress. Indoor applications in which condensation may occur. External visible parts with primarily decorative requirements for the surface and which are in direct contact with the ambient atmosphere typical for industrial applications.

Dimensions

Download CAD data → www.festo.com



Ordering data

| Pneumatic connection | | | Nominal size [mm] | L1 | L2 | C | C1 | Part No. | Type | PU ¹⁾ |
|-------------------------------|----------------------|----------------------|-------------------|------|------|----|----|----------|--|------------------|
| Male thread D1 | For tubing O.D. [mm] | For tubing I.D. [mm] | | | | | | | | |
| G ¹ / ₈ | 4 | - | 2.4 | 22.2 | 6.5 | 13 | 8 | 6253 | CK- ¹ / ₈ -PK-3-KU | 10 |
| | 6 | - | 3.4 | 25.3 | 6.5 | 13 | 12 | 6254 | CK- ¹ / ₈ -PK-4-KU | 10 |
| | 8 | - | 4.4 | 25.4 | 6.5 | 13 | 14 | 6255 | CK- ¹ / ₈ -PK-6-KU | 10 |
| G ¹ / ₄ | 6 | - | 3.4 | 28.5 | 8.5 | 17 | 12 | 6256 | CK- ¹ / ₄ -PK-4-KU | 10 |
| | 8 | - | 5.3 | 28.6 | 8.5 | 17 | 14 | 6257 | CK- ¹ / ₄ -PK-6-KU | 10 |
| | - | 9 | 7.3 | 31.9 | 8.5 | 17 | 19 | 6258 | CK- ¹ / ₄ -PK-9-KU | 10 |
| G ³ / ₈ | 8 | - | 5.3 | 31 | 10.5 | 19 | 14 | 6460 | CK- ³ / ₈ -PK-6-KU | 10 |
| | - | 9 | 8 | 34.5 | 10.5 | 19 | 19 | 6468 | CK- ³ / ₈ -PK-9-KU | 10 |

1) Packaging unit quantity

Bulkhead quick connectors QCK

Technical data

FESTO

Bulkhead quick connector QCK
Female thread with sealing ring

Materials:
Housing: Aluminium

Note on materials:
RoHS-compliant
Free of copper and PTFE



| General technical data | |
|-------------------------------|--------------|
| Mounting position | Any |
| Type of seal on threaded plug | Sealing ring |

| Operating and environmental conditions | |
|--|---|
| Operating medium | Compressed air in accordance with ISO 8573-1:2010 [7:-:-] |
| Note on operating/pilot medium | Operation with lubricated medium possible |

Dimensions Download CAD data → www.festo.com



| Ordering data | | Nominal size [mm] | B1 | D5 | L1 | L2 | L3 | L4 max. | C1 | C2 | C3 | Part No. | Type | PU ¹⁾ |
|-------------------------------|--------------------|-------------------|-----|---------|----|----|------|---------|----|----|----|----------|--|------------------|
| Pneumatic connection | D1 | | | | | | | | | | | | | |
| M5 | PK-3 ²⁾ | 2.4 | 3.2 | M6x0.75 | 31 | 6 | 10 | 8 | 7 | 8 | 10 | 9424 | QCK-M5-PK-3-B | 10 |
| G ¹ / ₈ | PK-4 ²⁾ | 3.4 | 3.5 | M10x1 | 40 | 8 | 13.5 | 10 | 13 | 12 | 13 | 9425 | QCK- ¹ / ₈ -PK-4-B | 10 |
| G ¹ / ₄ | PK-6 ²⁾ | 5.3 | 4 | M12x1 | 45 | 12 | 18 | 10 | 17 | 14 | 17 | 9426 | QCK- ¹ / ₄ -PK-6-B | 10 |
| G ³ / ₈ | PK-9 ²⁾ | 8 | 5 | M16x1 | 50 | 12 | 18.6 | 10 | 19 | 19 | 22 | 9427 | QCK- ³ / ₈ -PK-9-B | 1 |

1) Packaging unit quantity
2) With union nut

Bulkhead quick connectors SCK

Technical data

Bulkhead quick connector SCK

Materials:
Housing

Bulkhead quick connector SCK-...-KU
with moulded-on sealing ring

SCK: Aluminium
SCK-...-KU: POM

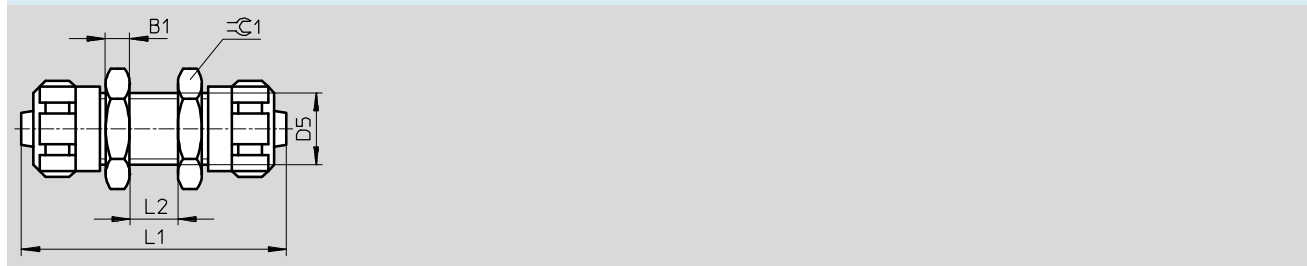
Note on materials:
RoHS-compliant
Free of copper and PTFE



| General technical data | |
|------------------------|-----|
| Mounting position | Any |

| Operating and environmental conditions | | |
|--|-------|-------------|
| Operating pressure | [bar] | 0 ... +10 |
| Ambient temperature | [°C] | -10 ... +60 |

Dimensions Download CAD data → www.festo.com



| Ordering data | | | | | | | | | |
|-------------------------|-------------------|-----|---------------------|----|---------|----|----------|-------------|------------------|
| Pneumatic connection | Nominal size [mm] | B1 | D5 | L1 | L2 max. | ⌀1 | Part No. | Type | PU ¹⁾ |
| Aluminium design | | | | | | | | | |
| PK-3 ²⁾ | 2.4 | 3.2 | M6x0.75 | 34 | 8 | 10 | 9420 | SCK-PK-3 | 10 |
| PK-4 ²⁾ | 3.4 | 3.5 | M10x1 | 43 | 10 | 13 | 9421 | SCK-PK-4 | 10 |
| PK-6 ²⁾ | 5.3 | 4 | M12x1 | 44 | 10 | 17 | 9422 | SCK-PK-6 | 10 |
| PK-9 ²⁾ | 8 | 5 | M16x1 | 53 | 10 | 22 | 9423 | SCK-PK-9 | 1 |
| Polymer design | | | | | | | | | |
| PK-3 ²⁾ | 2.4 | 5 | M10x1 ³⁾ | 41 | 10 | 13 | 9387 | SCK-PK-3-KU | 10 |
| PK-4 ²⁾ | 3.4 | 5 | M10x1 | 46 | 10 | 13 | 9388 | SCK-PK-4-KU | 10 |
| PK-6 ²⁾ | 5.3 | 6 | M12x1 | 48 | 10 | 17 | 9389 | SCK-PK-6-KU | 10 |
| PK-9 ²⁾ | 8 | 7 | M16x1 | 57 | 10 | 22 | 9390 | SCK-PK-9-KU | 1 |

- 1) Packaging unit quantity
- 2) With union nut
- 3) Installation diameter varies from aluminium version

End caps CV

Technical data

End cap CV

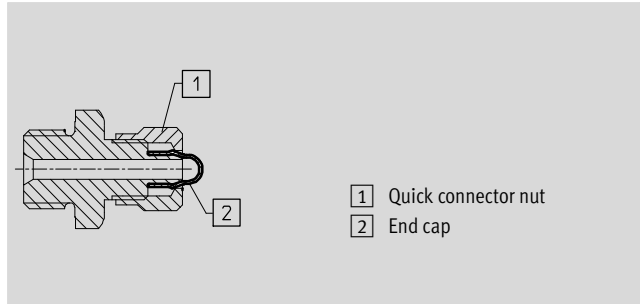
for sealing barbed fittings and connectors for polymer tubing

Material:

Polyurethane

Free of copper and PTFE

Conforms to RoHS



| Dimensions and ordering data | | | | |
|------------------------------|------------------|----------|-----------|-----|
| Tubing I.D. | Weight/piece [g] | Part No. | Type | PU* |
| 3 | 0.001 | 6213 | CV-PK-3-B | 10 |
| 4 | 0.001 | 6214 | CV-PK-4-B | 10 |
| 6 | 0.001 | 6215 | CV-PK-6-B | 10 |
| 9 | 0.002 | 6216 | CV-PK-9-B | 10 |

| Operating conditions (permissible static pressure) | | | | | | | | |
|--|-------------------------|-----|-----|-----|-----|-----|-----------|--|
| Type | CV-PK-3-B ... CV-PK-6-B | | | | | | CV-PK-9-B | |
| Operating pressure [bar] | 10 | 10 | 8 | 7 | 6 | 6 | 4 | |
| Ambient temperature [°C] | -35 | +20 | +40 | +60 | +80 | +60 | +80 | |

* Packaging unit quantity

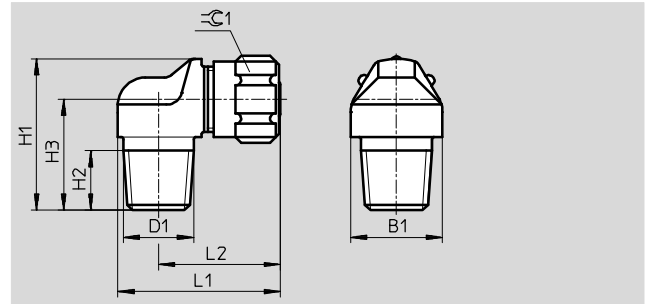
Elbow quick connectors GCK

Technical data

Elbow quick connector GCK-...-KU

Material:
Polyacetate
Free of copper and PTFE
Conforms to RoHS

Pressure range: 0 ... 10 bar
Temperature range: -10 ... +60 °C



| Dimensions and ordering data | | | | | | | | | | | | |
|------------------------------|----------------------|-------------|----|------|------|------|------|------|------|-------------|---|-----------|
| Connection D1 | Nominal size [mm] | Tubing I.D. | B1 | H1 | H2 | H3 | L1 | L2 | ≅C1 | Part No. | Type | PU* |
| R $\frac{1}{8}$ | 2.9 | 4 | 13 | 22.5 | 8 | 16.5 | 26.5 | 20.5 | 20.5 | 6267 | GCK-$\frac{1}{8}$-PK-4-KU | 10 |
| | 4.9 | 6 | 17 | 24.5 | 8 | 17.5 | 28.5 | 21.5 | 21.5 | 6268 | GCK-$\frac{1}{8}$-PK-6-KU | 10 |
| R $\frac{1}{4}$ | 2.9 | 4 | 17 | 25.5 | 11 | 19.5 | 30 | 22.5 | 22.5 | 6269 | GCK-$\frac{1}{4}$-PK-4-KU | 10 |
| | 4.9 | 6 | 17 | 27.5 | 11 | 20.5 | 30 | 22.5 | 22.5 | 6270 | GCK-$\frac{1}{4}$-PK-6-KU | 10 |
| R $\frac{3}{8}$ | 4.9 | 6 | 19 | 28.5 | 10.5 | 21 | 34 | 24.5 | 24.5 | 6271 | GCK-$\frac{3}{8}$-PK-6-KU | 10 |
| | 8 | 9 | 19 | 33.5 | 10.5 | 23.5 | 37.2 | 27.7 | 27.7 | 6272 | GCK-$\frac{3}{8}$-PK-9-KU | 10 |

* Packaging unit quantity

L quick connectors LCK

Technical data

FESTO

L quick connector LCK
with 2 sealing rings
Orientable

Materials:
Housing
LCK: Die-cast zinc
LCK-...-KU: POM

L quick connector LCK-...-KU
with moulded-on sealing edge
Orientable

Note on materials:
RoHS-compliant
Free of copper and PTFE

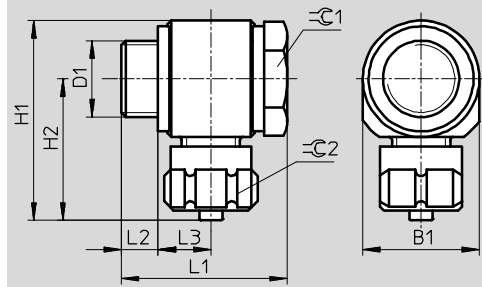


| General technical data | | |
|-------------------------------|--------------|--------------|
| Type | LCK | LCK-...-KU |
| Mounting position | Any | |
| Type of seal on threaded plug | Sealing ring | Sealing edge |

| Operating and environmental conditions | | |
|--|-------------|--|
| Operating pressure [bar] | 0 ... +16 | |
| Ambient temperature [°C] | -10 ... +60 | |

Dimensions

Download CAD data → www.festo.com



| Ordering data | | | | | | | | | | | | | |
|-------------------------------|---------------------|-------------------|----|------|------|------|-----|-------|-----|-----|----------|---|------------------|
| Pneumatic connection | | Nominal size [mm] | B1 | H1 | H2 | L1 | L2 | L3 | ⌀C1 | ⌀C2 | Part No. | Type | PU ²⁾ |
| Die-cast zinc design | | | | | | | | | | | | | |
| M5 | PK-3 ¹⁾ | 2.4 | 10 | 21.1 | 16.1 | 17.2 | 3.8 | 5.2 | 7 | 8 | 4468 | LCK-M5-PK-3 | 10 |
| | PK-4 ¹⁾ | 2.4 | 11 | 21.1 | 16.1 | 18 | 3.8 | 5.6 | 7 | 8 | 4562 | LCK-M5-PK-4 | 10 |
| G ¹ / ₈ | PK-3 ¹⁾ | 2 | 16 | 27.1 | 19.1 | 21.1 | 4.9 | 6.1 | 13 | 8 | 4136 | LCK- ¹ / ₈ -PK-3 | 10 |
| | PK-4 ¹⁾ | 2.9 | 16 | 30.2 | 22.2 | 27.1 | 4.9 | 9.1 | 13 | 12 | 4469 | LCK- ¹ / ₈ -PK-4 | 10 |
| | PK-6 ¹⁾ | 4.9 | 16 | 30.3 | 22.3 | 27.1 | 4.9 | 9.1 | 13 | 14 | 4470 | LCK- ¹ / ₈ -PK-6 | 10 |
| G ¹ / ₄ | PK-4 ¹⁾ | 2.9 | 20 | 34.2 | 24.2 | 28.1 | 5.7 | 9.2 | 17 | 12 | 4471 | LCK- ¹ / ₄ -PK-4 | 10 |
| | PK-6 ¹⁾ | 4.9 | 20 | 34.3 | 24.3 | 28.1 | 5.5 | 9.3 | 17 | 14 | 4472 | LCK- ¹ / ₄ -PK-6 | 10 |
| | PK-9 ¹⁾ | 8 | 20 | 37.6 | 27.6 | 33.3 | 5.7 | 11.8 | 17 | 19 | 11452 | LCK- ¹ / ₄ -PK-9 | 10 |
| G ³ / ₈ | PK-6 ¹⁾ | 4.9 | 25 | 39.3 | 26.8 | 30.3 | 6.7 | 9.3 | 22 | 14 | 4473 | LCK- ³ / ₈ -PK-6 | 10 |
| | PK-9 ¹⁾ | 8 | 25 | 42.6 | 30.1 | 35.3 | 6.7 | 11.8 | 22 | 19 | 4474 | LCK- ³ / ₈ -PK-9 | 10 |
| G ¹ / ₂ | PK-13 ¹⁾ | 11.7 | 30 | 49.2 | 34.2 | 46.6 | 7.9 | 16.85 | 27 | 24 | 4100 | LCK- ¹ / ₂ -PK-13 | 1 |
| Polymer design | | | | | | | | | | | | | |
| G ¹ / ₈ | PK-4 ¹⁾ | 3.4 | 16 | 30.5 | 22.5 | 27.5 | 7.1 | 8.25 | 13 | 12 | 6259 | LCK- ¹ / ₈ -PK-4-KU | 10 |
| | PK-6 ¹⁾ | 5.3 | 16 | 30.5 | 22.5 | 27.5 | 7.1 | 8.25 | 13 | 14 | 6260 | LCK- ¹ / ₈ -PK-6-KU | 10 |
| G ¹ / ₄ | PK-4 ¹⁾ | 3.4 | 20 | 34.5 | 24.5 | 28.5 | 8.1 | 8.25 | 17 | 12 | 6261 | LCK- ¹ / ₄ -PK-4-KU | 10 |
| | PK-6 ¹⁾ | 5.3 | 20 | 34.5 | 24.5 | 28.5 | 8.1 | 8.25 | 17 | 14 | 6262 | LCK- ¹ / ₄ -PK-6-KU | 10 |

1) With union nut

2) Packaging unit quantity

L quick connectors LCKN

Technical data

L quick connector LCKN
with sealing ring OL
Orientable

Materials:
Housing: Die-cast zinc

Note on materials:
RoHS-compliant



| General technical data | |
|-------------------------------|--------------|
| Mounting position | Any |
| Type of seal on threaded plug | Sealing ring |

| Operating and environmental conditions | |
|--|--|
| Operating pressure [bar] | -0.9 ... +16 |
| Operating medium | Compressed air in accordance with ISO 8573-1:2010 [7:-:-] |
| Note on operating/pilot medium | Operation with lubricated medium possible (in which case lubricated operation will always be required) |
| Ambient temperature [°C] | -20 ... +80 |
| Corrosion resistance class CRC ¹⁾ | 2 |

1) CRC2: Corrosion resistance class to Festo standard 940 070
Components with medium corrosion exposure. Externally visible components with significant decorative function in direct contact with normal industrial atmosphere or media such as coolants and lubricants.

Dimensions Download CAD data → www.festo.com

Note
Note: Cannot be used as a rotary distributor.

| Ordering data | | | | | | | | | | | | |
|-------------------------------|--------------------|-------------------|------|------|-------|------|------|-----|-----|----------|---|------------------|
| Pneumatic connection | | Nominal size [mm] | H1 | H2 | H3 | L1 | L2 | ≙C1 | ≙C2 | Part No. | Type | PU ²⁾ |
| D1 | | | | | | | | | | | | |
| M5 | PK-3 ¹⁾ | 1.7 | 22.2 | 3.55 | 15.15 | 20.1 | 16.1 | 7 | 8 | 164995 | LCKN-M5-PK-3 | 10 |
| | PK-4 ¹⁾ | 2.6 | 24.3 | 3.55 | 15.75 | 23.2 | 19.2 | 7 | - | 164996 | LCKN-M5-PK-4 | 10 |
| G ¹ / ₈ | PK-3 ¹⁾ | 1.7 | 24.6 | 4.7 | 15.9 | 25.4 | 18.9 | 13 | 8 | 164997 | LCKN- ¹ / ₈ -PK-3 | 10 |
| | PK-4 ¹⁾ | 2.6 | 27 | 4.7 | 16.3 | 28.5 | 22 | 13 | 12 | 164998 | LCKN- ¹ / ₈ -PK-4 | 10 |
| | PK-6 ¹⁾ | 4.6 | 30.3 | 4.7 | 18.6 | 28.6 | 22.1 | 13 | 14 | 164999 | LCKN- ¹ / ₈ -PK-6 | 10 |
| G ¹ / ₄ | PK-4 ¹⁾ | 2.6 | 29.5 | 5.8 | 17.7 | 28.5 | 22 | 17 | 12 | 165000 | LCKN- ¹ / ₄ -PK-4 | 10 |
| | PK-6 ¹⁾ | 4.6 | 32.8 | 5.8 | 20.0 | 28.6 | 22.1 | 17 | 14 | 165001 | LCKN- ¹ / ₄ -PK-6 | 10 |
| G ³ / ₈ | PK-6 ¹⁾ | 4.6 | 33.8 | 6.0 | 20.8 | 28.6 | 22.1 | 19 | 14 | 165002 | LCKN- ³ / ₈ -PK-6 | 1 |

1) With union nut
2) Packaging unit quantity

T quick connectors TCK

Technical data

FESTO

T quick connector TCK
with 2 sealing rings
Orientable

Materials:
Housing
TCK: Die-cast zinc
TCK-...-KU: POM
Union nut
TCK: Aluminium
TCK-...-KU: POM

T quick connector TCK-...-KU
with moulded-on sealing ring
Orientable

Note on materials:
RoHS-compliant

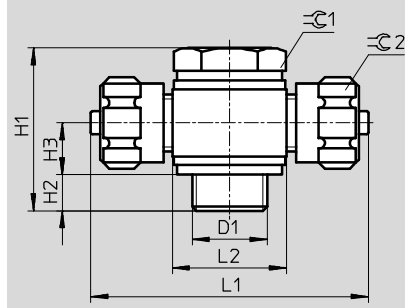


| General technical data | | |
|-------------------------------|--------------|--------------|
| Type | TCK | TCK-...-KU |
| Mounting position | Any | |
| Type of seal on threaded plug | Sealing ring | Sealing edge |

| Operating and environmental conditions | | |
|--|-------------|--|
| Operating pressure [bar] | 0 ... +10 | |
| Ambient temperature [°C] | -10 ... +60 | |

Dimensions

Download CAD data → www.festo.com



| Ordering data | | | | | | | | | | | | |
|-------------------------------|---------------------|------|------|-----|------|------|----|----|----------|------|---|----|
| Pneumatic connection | Nominal size | H1 | H2 | H3 | L1 | L2 | 1 | 2 | Part No. | Type | PU ²⁾ | |
| D1 | [mm] | | | | | | | | | | | |
| Die-cast zinc design | | | | | | | | | | | | |
| M5 | PK-3 ¹⁾ | 2 | 17.2 | 3.8 | 5.2 | 32.2 | 10 | 7 | 8 | 4484 | TCK-M5-PK-3 | 10 |
| | PK-4 ¹⁾ | 2 | 18 | 3.8 | 5.6 | 39.4 | 11 | 7 | 8 | 4563 | TCK-M5-PK-4 | 10 |
| G ¹ / ₈ | PK-3 ¹⁾ | 2 | 21.1 | 4.9 | 6.1 | 38.2 | 16 | 13 | 8 | 4137 | TCK- ¹ / ₈ -PK-3 | 10 |
| | PK-4 ¹⁾ | 2.9 | 27.1 | 4.9 | 9.1 | 44.4 | 16 | 13 | 12 | 4485 | TCK- ¹ / ₈ -PK-4 | 10 |
| | PK-6 ¹⁾ | 4.9 | 27.1 | 4.9 | 9.1 | 44.6 | 16 | 13 | 14 | 4486 | TCK- ¹ / ₈ -PK-6 | 10 |
| G ¹ / ₄ | PK-4 ¹⁾ | 2.9 | 28.1 | 5.7 | 9.2 | 48.4 | 20 | 17 | 12 | 4487 | TCK- ¹ / ₄ -PK-4 | 10 |
| | PK-6 ¹⁾ | 4.9 | 28.1 | 5.5 | 9.3 | 48.6 | 20 | 17 | 14 | 4488 | TCK- ¹ / ₄ -PK-6 | 10 |
| G ³ / ₈ | PK-6 ¹⁾ | 4.9 | 30.3 | 6.7 | 9.3 | 53.6 | 25 | 22 | 14 | 4489 | TCK- ³ / ₈ -PK-6 | 1 |
| | PK-9 ¹⁾ | 8 | 35.3 | 6.7 | 11.8 | 60.2 | 25 | 22 | 14 | 4490 | TCK- ³ / ₈ -PK-9 | 1 |
| G ¹ / ₂ | PK-13 ¹⁾ | 11.7 | 46.6 | 7.9 | 16.9 | 68.4 | 30 | 27 | 24 | 4101 | TCK- ¹ / ₂ -PK-13 | 1 |
| Polymer design | | | | | | | | | | | | |
| G ¹ / ₈ | PK-4 ¹⁾ | 3.4 | 27.5 | 7.1 | 8.25 | 45 | 16 | 13 | 12 | 6263 | TCK- ¹ / ₈ -PK-4-KU | 10 |
| | PK-6 ¹⁾ | 5.3 | 27.5 | 7.1 | 8.25 | 45 | 16 | 13 | 14 | 6264 | TCK- ¹ / ₈ -PK-6-KU | 10 |
| G ¹ / ₄ | PK-4 ¹⁾ | 3.4 | 28.5 | 8.1 | 8.25 | 49 | 20 | 17 | 12 | 6265 | TCK- ¹ / ₄ -PK-4-KU | 10 |
| | PK-6 ¹⁾ | 5.3 | 28.5 | 8.1 | 8.25 | 49 | 20 | 17 | 14 | 6266 | TCK- ¹ / ₄ -PK-6-KU | 10 |

1) With union nut

2) Packaging unit quantity

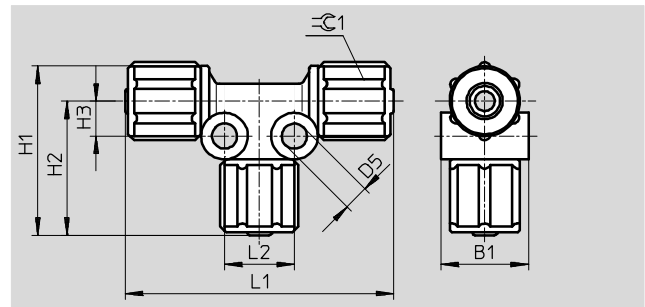
T quick connectors FCK

Technical data

T-distributor FCK-...-KU

Material:
 Polymer
 Free of copper and PTFE
 Conforms to RoHS

Pressure range: 0 ... 10 bar
 Temperature range: -10 ... +60 °C



| Dimensions and ordering data | | | | | | | | | | | | |
|------------------------------|-------------------|----|-----|------|------|-----|------|----|----|-------------|----------------------|-----------|
| Tubing I.D. | Nominal size [mm] | B1 | D5 | H1 | H2 | H3 | L1 | L2 | ≅1 | Part No. | Type | PU* |
| 3 | 2.4 | 11 | 4.3 | 23.8 | 19.8 | 5 | 39.6 | 10 | 8 | 6273 | FCK-3-PK-3-KU | 10 |
| 4 | 3.4 | 15 | 4.3 | 30.2 | 24.2 | 6 | 48.4 | 12 | 12 | 6274 | FCK-3-PK-4-KU | 10 |
| 6 | 5.3 | 18 | 4.3 | 31.2 | 24.2 | 6 | 48.4 | 12 | 14 | 6275 | FCK-3-PK-6-KU | 10 |
| 9 | 8 | 22 | 4.3 | 38.3 | 28.8 | 7.1 | 56.4 | 13 | 19 | 6276 | FCK-3-PK-9-KU | 10 |

* Packaging unit quantity

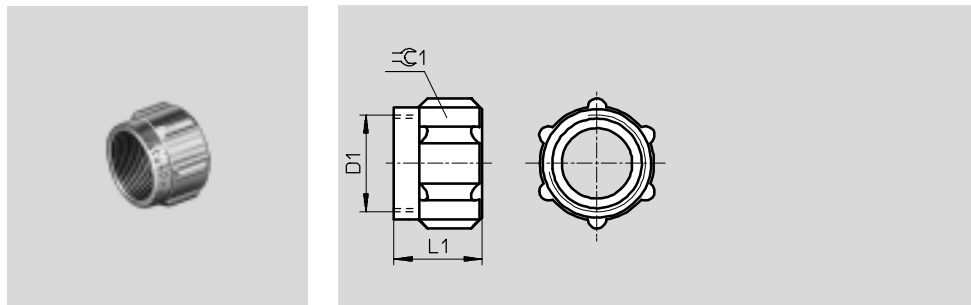
Union nuts MCK

Technical data

FESTO

Union nut MCK
for tube connectors

Material:
Blue anodised aluminium
Free of copper and PTFE
Conforms to RoHS



Union nut MCK-...-KU
for tube connectors

Material:
Polymer design
Free of copper and PTFE
Conforms to RoHS

| Dimensions and ordering data | | | | | | |
|------------------------------|---------|------|--------------|----------|---------------------------|-----|
| Tubing I.D. | D1 | L1 | $\approx C1$ | Part No. | Type | PU* |
| Aluminium design | | | | | | |
| 3 | M6x0.75 | 8.5 | 8 | 205254 | MCK-PK-3 | 1 |
| 4 | M10x1 | 11 | 12 | 2965 | MCK-PK-4 ¹⁾ | 1 |
| 4 | M8x1 | 9.5 | - | 205257 | MCK-PK-4-R ²⁾ | 1 |
| 6 | M12x1 | 11 | 14 | 2966 | MCK-PK-6 | 1 |
| 9 | M16x1 | 14.4 | 19 | 2967 | MCK-PK-9 | 1 |
| 13 | M22x1 | 18 | 24 | 206504 | MCK-PK-13 | 1 |
| Polymer design | | | | | | |
| 3 | M6x0.75 | 9.5 | 8 | 211289 | MCK-PK-3-KU | 1 |
| 4 | M10x1 | 12.5 | 12 | 211291 | MCK-PK-4-KU ¹⁾ | 1 |
| 6 | M12x1 | 12.5 | 14 | 211292 | MCK-PK-6-KU | 1 |
| 9 | M16x1 | 16 | 19 | 211293 | MCK-PK-9-KU | 1 |

* Packaging unit quantity

1) except for connectors CK-M5-PK-4, LCK-M5-PK-4, TCK-M5-PK-4

2) for connectors CK-M5-PK-4, LCK-M5-PK-4, TCK-M5-PK-4

Multiple distributors

Technical data

FESTO

Hollow bolt VT with ring piece LK
(one outlet connection)

Certification:
Ring piece LK: Germanischer Lloyd

Materials:
Hollow bolt: Galvanised steel
Ring piece LK: Die-cast zinc
Ring piece LK-...-KU: Polymer

Note on materials:
Conforms to RoHS



VT



LK

| Ordering data | | | | Dimensions → 19 | | | |
|-----------------------------|--------------------|----------|-----------------------------|----------------------|----------|---------------------------------|-----|
| Hollow bolt | | | | Ring piece | | | |
| Pneumatic connection | No. of ring pieces | Part No. | Type | Pneumatic connection | Part No. | Type | PU* |
| Die-cast zinc design | | | | | | | |
| M5 | 2 | 206145 | VT-M5-2 ³⁾ | PK-3 with union nut | 4475 | LK-M5-PK-3 ¹⁾ | 10 |
| | 3 | 4594 | VT-M5-3 ³⁾ | | 4597 | LK-1/8-PK-3 ¹⁾ | |
| G1/8 | 2 | 4593 | VT-1/8-2-PK-3 ³⁾ | PK-3 with union nut | 4597 | LK-1/8-PK-3 ¹⁾ | 10 |
| | 3 | 4595 | VT-1/8-3-PK-3 ³⁾ | | 4476 | LK-1/8-PK-4 ¹⁾ | |
| G1/8 | 2 | 206146 | VT-1/8-2 ³⁾ | PK-4 with union nut | 4476 | LK-1/8-PK-4 ¹⁾ | 10 |
| | 3 | 4596 | VT-1/8-3 ³⁾ | | 4477 | LK-1/8-PK-6 ¹⁾ | |
| G1/8 | 2 | 206146 | VT-1/8-2 ³⁾ | PK-6 with union nut | 4477 | LK-1/8-PK-6 ¹⁾ | 10 |
| | 3 | 4596 | VT-1/8-3 ³⁾ | | 4478 | LK-1/4-PK-4 ¹⁾ | |
| G1/4 | 2 | 206147 | VT-1/4-2 ³⁾ | PK-4 with union nut | 4478 | LK-1/4-PK-4 ¹⁾ | 10 |
| | 3 | 2335 | VT-1/4-3 ³⁾ | | 4479 | LK-1/4-PK-6 ¹⁾ | |
| G1/4 | 2 | 206147 | VT-1/4-2 ³⁾ | PK-6 with union nut | 4479 | LK-1/4-PK-6 ¹⁾ | 10 |
| | 3 | 2335 | VT-1/4-3 ³⁾ | | 4480 | LK-3/8-PK-6 ¹⁾ | |
| G3/8 | 2 | 206148 | VT-3/8-2 ³⁾ | PK-6 with union nut | 4480 | LK-3/8-PK-6 ¹⁾ | 1 |
| | 3 | 2336 | VT-3/8-3 ³⁾ | | | | |
| Polymer design | | | | | | | |
| G1/8 | 2 | 206146 | VT-1/8-2 ³⁾ | PK-4 with union nut | 6280 | LK-1/8-PK-4-KU ^{2) 3)} | 10 |
| | 3 | 4596 | VT-1/8-3 ³⁾ | | | | |
| G1/8 | 2 | 206146 | VT-1/8-2 ³⁾ | PK-6 with union nut | 6281 | LK-1/8-PK-6-KU ^{2) 3)} | 10 |
| | 3 | 4596 | VT-1/8-3 ³⁾ | | | | |
| G1/4 | 2 | 206147 | VT-1/4-2 ³⁾ | PK-4 with union nut | 6282 | LK-1/4-PK-4-KU ^{2) 3)} | 10 |
| | 3 | 2335 | VT-1/4-3 ³⁾ | | | | |
| G1/4 | 2 | 206147 | VT-1/4-2 ³⁾ | PK-6 with union nut | 6283 | LK-1/4-PK-6-KU ^{2) 3)} | 10 |
| | 3 | 2335 | VT-1/4-3 ³⁾ | | | | |

* Packaging unit quantity

1) With union nut MCK and 2 sealing rings OK

2) With union nut MCK, with moulded-on sealing ring, pressure range 0 ... 10 bar, temperature range -10 ... +60 °C

3) Free of copper and PTFE

Multiple distributors

Technical data

FESTO

Hollow bolt VT with ring piece TK
(2 outlet connections)

Materials:
Hollow bolt: Galvanised steel
Ring piece TK: Die-cast zinc
Ring piece TK...-KU: Polymer

Note on materials:
Conforms to RoHS



VT



TK

| Operating and environmental conditions | |
|--|--|
| Operating pressure [bar] | 0 ... +10 |
| Operating medium | Compressed air in accordance with ISO 8573-1:2010 [7:--:-] |
| Note on operating/pilot medium | Operation with lubricated medium possible (in which case lubricated operation will always be required) |
| Certification | Ring piece TK: Germanischer Lloyd |

| Ordering data | | | | Dimensions → 19 | | | |
|-----------------------------|--------------------|----------|-----------------------------|----------------------|----------|---------------------------------|-----|
| Hollow bolt | | | | Ring piece | | | |
| Pneumatic connection | No. of ring pieces | Part No. | Type | Pneumatic connection | Part No. | Type | PU* |
| Die-cast zinc design | | | | | | | |
| M5 | 2 | 206145 | VT-M5-2 ³⁾ | PK-3 with union nut | 4491 | TK-M5-PK-3 ¹⁾ | 1 |
| | 3 | 4594 | VT-M5-3 ³⁾ | | | | |
| G1/8 | 2 | 4593 | VT-1/8-2-PK-3 ³⁾ | PK-3 with union nut | 4598 | TK-1/8-PK-3 ¹⁾ | 1 |
| | 3 | 4595 | VT-1/8-3-PK-3 ³⁾ | | | | |
| | 2 | 206146 | VT-1/8-2 ³⁾ | PK-4 with union nut | 4492 | TK-1/8-PK-4 ¹⁾ | 1 |
| | 3 | 4596 | VT-1/8-3 ³⁾ | | | | |
| | 2 | 206146 | VT-1/8-2 ³⁾ | PK-6 with union nut | 4493 | TK-1/8-PK-6 ¹⁾ | 1 |
| | 3 | 4596 | VT-1/8-3 ³⁾ | | | | |
| G1/4 | 2 | 206147 | VT-1/4-2 ³⁾ | PK-4 with union nut | 4494 | TK-1/4-PK-4 ¹⁾ | 1 |
| | 3 | 2335 | VT-1/4-3 ³⁾ | | | | |
| | 2 | 206147 | VT-1/4-2 ³⁾ | PK-6 with union nut | 4495 | TK-1/4-PK-6 ¹⁾ | 1 |
| | 3 | 2335 | VT-1/4-3 ³⁾ | | | | |
| G3/8 | 2 | 206148 | VT-3/8-2 ³⁾ | PK-6 with union nut | 4496 | TK-3/8-PK-6 ¹⁾ | 1 |
| | 3 | 2336 | VT-3/8-3 ³⁾ | | | | |
| Polymer design | | | | | | | |
| G1/8 | 2 | 206146 | VT-1/8-2 ³⁾ | PK-4 with union nut | 6284 | TK-1/8-PK-4-KU ^{2) 3)} | 1 |
| | 3 | 4596 | VT-1/8-3 ³⁾ | | | | |
| | 2 | 206146 | VT-1/8-2 ³⁾ | PK-6 with union nut | 6285 | TK-1/8-PK-6-KU ^{2) 3)} | 1 |
| | 3 | 4596 | VT-1/8-3 ³⁾ | | | | |
| G1/4 | 2 | 206147 | VT-1/4-2 ³⁾ | PK-4 with union nut | 6286 | TK-1/4-PK-4-KU ^{2) 3)} | 1 |
| | 3 | 2335 | VT-1/4-3 ³⁾ | | | | |
| | 2 | 206147 | VT-1/4-2 ³⁾ | PK-6 with union nut | 6287 | TK-1/4-PK-6-KU ^{2) 3)} | 1 |
| | 3 | 2335 | VT-1/4-3 ³⁾ | | | | |

- * Packaging unit quantity
- 1) With 2 union nuts MCK and 2 sealing rings OK
- 2) With 2 union nuts MCK, with moulded-on sealing ring, pressure range 0 ... 10 bar, temperature range -10 ... +60 °C
- 3) Free of copper and PTFE

Multiple distributors

Technical data

Multiple distributor

consisting of:

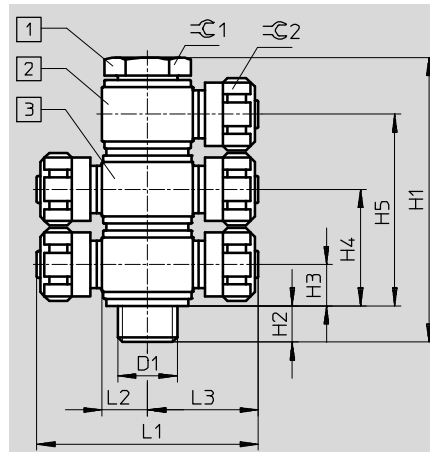
- Hollow bolt VT and ring piece LK

→ 17

or

- Hollow bolt VT and ring piece TK

→ 18



- 1 Hollow bolt VT
- 2 Ring piece LK
- 3 Ring piece TK

| Dimensions | | | | | | | | | | | | | | |
|---------------|------------------|-----------------|------|-------------|------|------|------|-------------|------|------|-----|-----|------|----|
| Connection D1 | Hollow bolt Type | Ring piece Type | H1 | H2 | H3 | H4 | H5 | L1 | L2 | L3 | ⌀C1 | ⌀C2 | | |
| M5 | VT-M5-2 | LK-M5-PK-3 | 27.3 | 4 | 5.2 | 15.1 | - | - | 5 | 16.1 | 7 | 8 | | |
| | | TK-M5-PK-3 | | | | | | 32.2 | - | | | | | |
| | VT-M5-3 | LK-M5-PK-3 | 37.1 | 3.9 | 5.2 | 15.1 | 25 | - | 5 | 16.1 | 7 | 8 | | |
| | | TK-M5-PK-3 | | | | | | 32.2 | - | | | | | |
| G3/8 | VT-1/8-2-PK-3 | LK-1/8-PK-3 | 32.7 | 5.9 | 6.1 | 16.7 | - | - | 8 | 19.1 | 13 | 8 | | |
| | | TK-1/8-PK-3 | | | | | | 38.2 | - | | | | | |
| | VT-1/8-3-PK-3 | LK-1/8-PK-3 | 43.3 | 5.9 | 6.1 | 16.7 | 27.3 | - | 8 | 19.1 | 13 | 8 | | |
| | | TK-1/8-PK-3 | | | | | | 38.2 | - | | | | | |
| | VT-1/8-2 | LK-1/8-PK-4 | 44.8 | 6 | 9.1 | 25.7 | - | - | 8 | 22.2 | 13 | 12 | | |
| | | | | | | | | TK-1/8-PK-4 | 44.4 | | | | - | |
| | | LK-1/8-PK-6 | | | | | | - | 8 | 22.3 | | | 14 | |
| | | | | | | | | TK-1/8-PK-6 | 44.6 | | | | | - |
| | VT-1/8-3 | LK-1/8-PK-4 | 61.2 | 5.8 | 9.1 | 25.7 | 42.3 | - | 8 | 22.2 | 13 | 12 | | |
| | | | | | | | | TK-1/8-PK-4 | 44.4 | | | | - | |
| | | LK-1/8-PK-6 | | | | | | - | 8 | 22.3 | | | 14 | |
| | | | | | | | | TK-1/8-PK-6 | 44.6 | | | | | - |
| G1/4 | VT-1/4-2 | LK-1/4-PK-4 | 45.2 | 6.6 | 9.2 | 25.4 | - | - | 10 | 24.2 | 17 | 12 | | |
| | | | | TK-1/4-PK-4 | 48.4 | - | | | | | | | | |
| | | LK-1/4-PK-6 | | 6.2 | 9.3 | 25.7 | | - | 10 | 24.3 | | | 14 | |
| | | | | TK-1/4-PK-6 | 48.6 | - | | | | | | | | |
| | VT-1/4-3 | LK-1/4-PK-4 | 62.5 | 6.7 | 9.2 | 25.4 | 41.6 | - | 10 | 24.2 | 17 | 12 | | |
| | | | | TK-1/4-PK-4 | 48.4 | - | | | | | | | | |
| | | LK-1/4-PK-6 | | 6.1 | 9.3 | 25.7 | | 42.1 | - | 10 | | | 24.3 | 14 |
| | | | | TK-1/4-PK-6 | 48.6 | - | | | | | | | | |
| G3/8 | VT-3/8-2 | LK-3/8-PK-6 | 47.5 | 7.5 | 9.3 | 25.7 | - | - | 12.5 | 26.8 | 22 | 14 | | |
| | | TK-3/8-PK-6 | | | | | | 53.6 | - | | | | | |
| | VT-3/8-3 | LK-3/8-PK-6 | 63.9 | 7.5 | 9.3 | 25.7 | 42.1 | - | 12.5 | 26.8 | 22 | 14 | | |
| | | TK-3/8-PK-6 | | | | | | 53.6 | - | | | | | |