

# Electrical connection technology, for multi-pin plug connection

Technical data – VMPA-...

- Plug socket with cable for multi-pin connection (to valve terminal type 32 MPA)
- Pre-assembled
- Cable lengths 2.5 m, 5 m or 10 m
- For 8 or 24 solenoid coils
- Sub-D
- VMPA-KMS2 as a design suitable for chain link trunking



General technical data		VMPA-...
Type		VMPA-...
Type of mounting		3 M3x22 screws
Mounting position		Any
Operating voltage range	[V DC]	24
Current-carrying capacity	[A]	3
Protection class to EN 60 529		IP65 (assembled)
Material of housing		Fibreglass reinforced polyamide
Material of contacts		Gold-plated copper base alloy
Material of seal		Polyurethane
Ambient temperature	[°C]	-30 ... +80
Ambient temperature of flexible cable installation	[°C]	-5 ... +70

Ordering data							
	Electrical connection	Cable composition [mm <sup>2</sup> ]	Material of cable sheath	Cable diameter [mm]	Cable length [m]	Type	Part No.
	25-pin Sub-D socket	10x0.34	Polyvinyl chloride	6.9	2.5	VMPA-KMS1-8-2,5	533 195
		10x0.34	Polyvinyl chloride	6.9	5	VMPA-KMS1-8-5	533 196
		10x0.34	Polyvinyl chloride	6.9	10	VMPA-KMS1-8-10	533 197
		25x0.34	Polyvinyl chloride	11.4	2.5	VMPA-KMS1-24-2,5	533 192
		25x0.34	Polyvinyl chloride	11.4	5	VMPA-KMS1-24-5	533 193
		25x0.34	Polyvinyl chloride	11.4	10	VMPA-KMS1-24-10	533 194
	25-pin Sub-D socket	10x0.25	Polyurethane	7.7	2.5	VMPA-KMS2-8-2,5-PUR	533 504
		10x0.25	Polyurethane	7.7	5	VMPA-KMS2-8-5-PUR	533 505
		10x0.25	Polyurethane	7.7	10	VMPA-KMS2-8-10-PUR	533 506
		25x0.25	Polyurethane	10.8	2.5	VMPA-KMS2-24-2,5-PUR	533 501
		25x0.25	Polyurethane	10.8	5	VMPA-KMS2-24-5-PUR	533 502
		25x0.25	Polyurethane	10.8	10	VMPA-KMS2-24-10-PUR	533 503

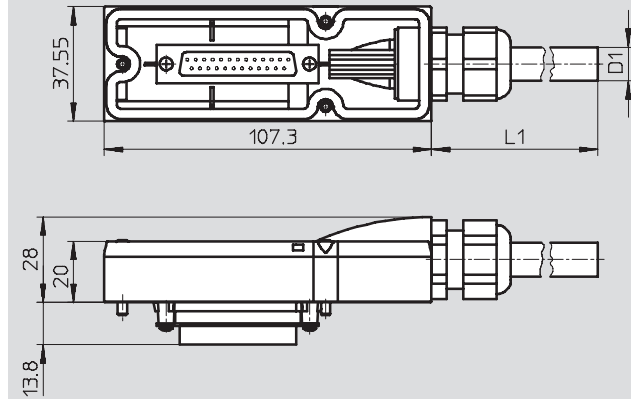
# Electrical connection technology, for multi-pin plug connection

Technical data – VMPA-...

## Dimensions

Download CAD data → [www.festo.com](http://www.festo.com)

VMPA-...



- D1 Length according to type  
(2.5 m, 5 m or 10 m)
- L1 Diameter according to type  
(6.9 mm, 7.7 mm, 10.8 mm or  
11.4 m)

## Wiring allocation (socket view)

VMPA-KMS...-24-...

	Pin	Core colour	Pin	Core colour
	1	White	14	Yellow-brown
	2	Green	15	White-grey
	3	Yellow	16	Grey-brown
	4	Grey	17	White-pink
	5	Pink	18	Pink-brown
	6	Blue	19	White-blue
	7	Red	20	Brown-blue
	8	Purple	21	White-red
	9	Grey-pink	22	Brown-red
	10	Red-blue	23	White-black
	11	White-green	24	Brown
	12	Brown-green	25	Black
	13	White-yellow		