

Hand lever valves VHER




Hand lever valves VHER

Key features

FESTO



Powerful

-  - Flow rate
170 ... 4,300 l/min

Versatile

- 4/3-way valve
mid-position closed
mid-position exhausted
- Connections: M5, G $\frac{1}{8}$, G $\frac{1}{4}$, G $\frac{1}{2}$
- 3/3-way valve
The hand lever valves VHER can be used as 3/3-way valves by sealing port 2

Practical

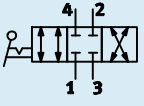
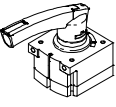

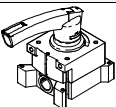
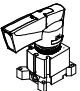
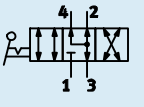
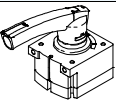
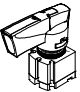
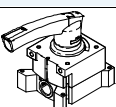
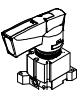
With these valves it is possible to stop single-acting cylinders (3/3-way valve) or double-acting cylinders (4/3-way valve) within the stroke range.

In mid-position closed, the drive piston moves until the forces are balanced.

In mid-position exhausted the piston can be moved manually; only the frictional forces have to be overcome.

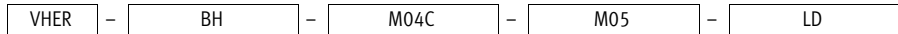
Hand lever valves VHER

Product range overview

Function	Version	Type	Nominal flow rate [l/min]	Lever				Connection				→ Page/ Internet		
				Plastic		Metal		M5	G1/8	G1/4	G1/2			
				small	large	small	large							
	Ports underneath 	VHER-AH-M04C-G18-UD	800	-	-	■	-	-	■	-	-	7		
		VHER-AH-M04C-G14-UD	1,500	-	-	-	■	-	-	■	-			
		VHER-AH-M04C-G12-UD	4,300	-	-	-	■	-	-	-	■			
			VHER-BH-M04C-M05-UD	260	■	-	-	-	■	-	-	-	14	
			VHER-BH-M04C-G18-UD	800	■	-	-	-	-	■	-	-		
			VHER-BH-M04C-G14-UD	1,500	-	■	-	-	-	-	■	-		
			VHER-BH-M04C-G12-UD	4,300	-	■	-	-	-	-	-	■		
	Ports at side 	VHER-AH-M04C-G18-LD	600	-	-	■	-	-	-	■	-	-	7	
		VHER-AH-M04C-G14-LD	1,150	-	-	-	■	-	-	-	■	-		
		VHER-AH-M04C-G12-LD	3,500	-	-	-	■	-	-	-	-	■		
			VHER-BH-M04C-M05-LD	170	■	-	-	-	■	-	-	-	-	14
			VHER-BH-M04C-G18-LD	600	■	-	-	-	-	■	-	-	-	
			VHER-BH-M04C-G14-LD	1,150	-	■	-	-	-	-	-	■	-	
			VHER-BH-M04C-G12-LD	3,500	-	■	-	-	-	-	-	-	■	
	Ports underneath 	VHER-AH-M04E-G18-UD	800	-	-	■	-	-	■	-	-	7		
		VHER-AH-M04E-G14-UD	1,500	-	-	-	■	-	-	■	-			
		VHER-AH-M04E-G12-UD	4,300	-	-	-	■	-	-	-	■			
			VHER-BH-M04E-M05-UD	260	■	-	-	-	■	-	-	-	-	14
			VHER-BH-M04E-G18-UD	800	■	-	-	-	-	■	-	-	-	
			VHER-BH-M04E-G14-UD	1,500	-	■	-	-	-	-	-	■	-	
			VHER-BH-M04E-G12-UD	4,300	-	■	-	-	-	-	-	-	■	
	Ports at side 	VHER-AH-M04E-G18-LD	600	-	-	■	-	-	-	■	-	-	7	
		VHER-AH-M04E-G14-LD	1,150	-	-	-	■	-	-	-	■	-		
		VHER-AH-M04E-G12-LD	3,500	-	-	-	■	-	-	-	-	■		
			VHER-BH-M04E-M05-LD	170	■	-	-	-	■	-	-	-	-	14
			VHER-BH-M04E-G18-LD	600	■	-	-	-	-	■	-	-	-	
			VHER-BH-M04E-G14-LD	1,150	-	■	-	-	-	-	-	■	-	
			VHER-BH-M04E-G12-LD	3,500	-	■	-	-	-	-	-	-	■	

Hand lever valves VHER

Type codes



Type	
VHER	Hand lever valve with detent

Construction	
AH	Lever in metal version
BH	Lever in polymer version

Valve function	
M04C	4/3-way valve, mid-position closed
M04E	4/3-way valve, mid-position exhausted

Connection	
M05	M5 (polymer version only)
G18	G $\frac{1}{8}$
G14	G $\frac{1}{4}$
G12	G $\frac{1}{2}$

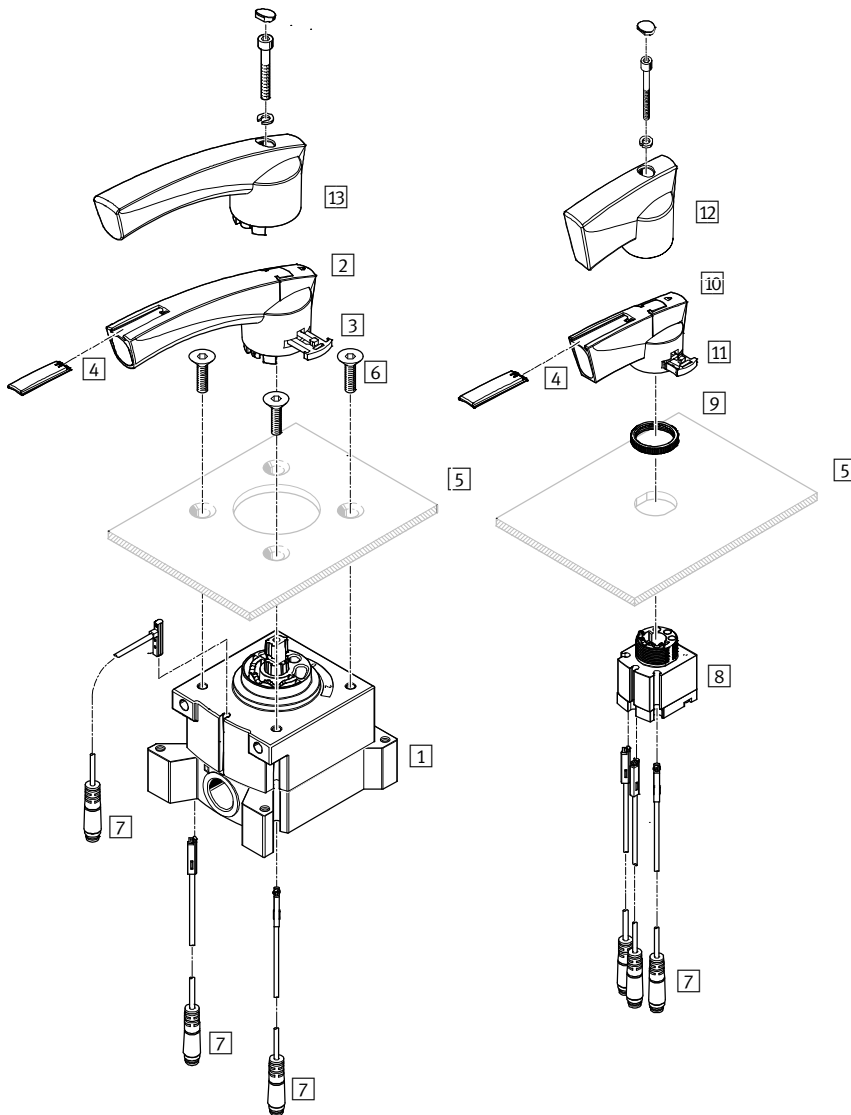
Connection type	
LD	To the side
UD	Underneath

Hand lever valves VHER

Peripherals overview

FESTO

Control panel installation



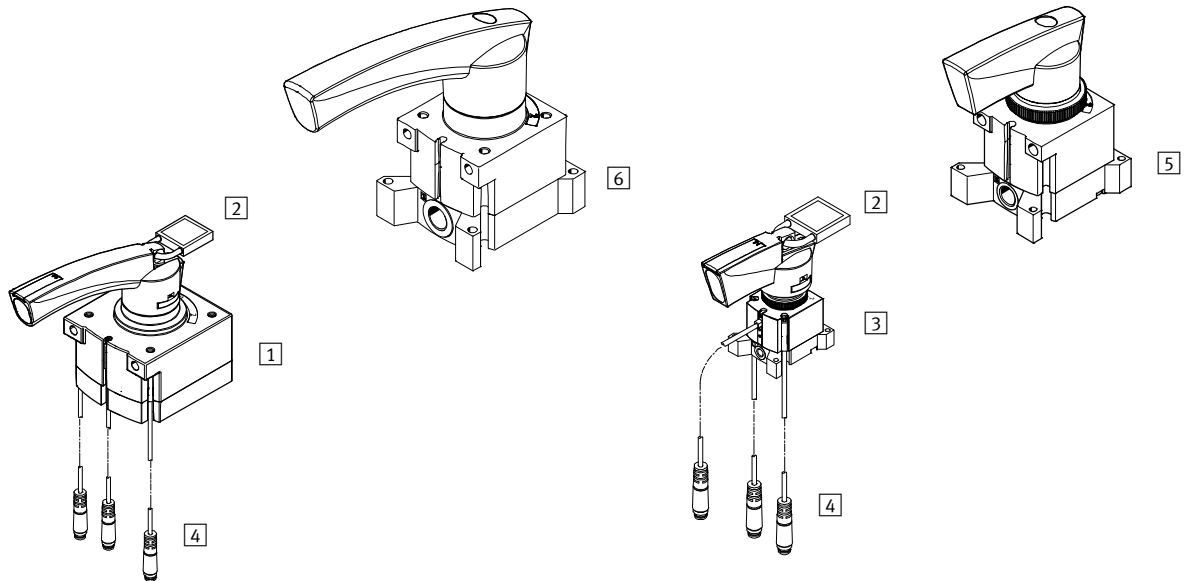
Component parts and accessories	Brief description	→ Page/Internet
1 Hand lever valves VHER	Connection size G $\frac{1}{8}$ and G $\frac{1}{2}$	7
2 Actuating lever	Large, polymer	-
3 Lever securing clip	Large	-
4 Inscription label		-
5 Control panel	Not included in scope of delivery	-
6 Mounting screws	Not included in scope of delivery	-
7 Proximity sensor SME-10-L, SME-10-Q	Not included in scope of delivery	sme
8 Hand lever valves VHER	Connection size M5 and G $\frac{1}{8}$	7
9 Knurled nut	Control panel mounting	-
10 Actuating lever	Small, polymer	-
11 Lever securing clip	Small	-
12 Actuating lever	Small, metal	-
13 Actuating lever	Large, metal	-

Hand lever valves VHER

Peripherals overview

FESTO




Assembled valves with accessories



Component parts and accessories	Brief description	→ Page/Internet
1 Hand lever valves VHER	Connection size G $\frac{1}{4}$ and G $\frac{1}{2}$ with polymer lever	14
2 Padlock	Not included in scope of delivery	-
3 Hand lever valves VHER	Connection size M5 and G $\frac{1}{8}$ with polymer lever	14
4 Proximity sensor SME-10F-... L-... , SME-10F-... Q-...	Not included in scope of delivery	sme
5 Hand lever valves VHER	Connection size G $\frac{1}{8}$ with metal lever	7
6 Hand lever valves VHER	Connection size G $\frac{1}{4}$ and G $\frac{1}{2}$ with metal lever	7

Hand lever valves VHER-AH

Technical data VHER with metal lever

-  Flow rate
600 ... 4,300 l/min
-  Pressure
-0.95 ... +10 bar
-  Temperature range
-20 ... +80 °C



General technical data					
Pneumatic connection			G $\frac{1}{8}$	G $\frac{1}{4}$	G $\frac{1}{2}$
Valve function		4/3-way, closed or exhausted			
Design		Rotary slide valve			
Sealing principle		Hard			
Type of mounting		Option of front panel mounting or through-holes			
Pilot control mode		Direct			
Actuation type		Manual			
Actuating lever		Metal			
Switching position display		Via accessories			
Assembly position		Any			
Direction of flow		Reversible			
Non-overlapping		Yes			
Exhaust function		Flow control			
Standard nominal flow rate	Ports at side	[l/min]	600	1,150	3,500
	Ports underneath	[l/min]	800	1,500	4,300
Nominal size		[mm]	6	8	12
Pneumatic connection 1,2,3,4			G $\frac{1}{8}$	G $\frac{1}{4}$	G $\frac{1}{2}$
Actuating torque at 10 bar		[Nm]	1.1	2.8	5

Operating and environmental conditions		
Operating medium		Compressed air in accordance with ISO 8573-1:2010 [7:4:4]
Note on operating/pilot medium		Operation with lubricated medium possible (in which case lubricated operation will always be required)
Operating pressure	[bar]	-0.95 ... 10
Ambient temperature	[°C]	-20 ... +80
Corrosion resistance class	[CRC]	2 ¹⁾

1) Corrosion resistance class 2 according to Festo standard 940 070
Components requiring moderate corrosion resistance. Externally visible parts with primarily decorative surface requirements which are in direct contact with a normal industrial environment or media such as coolants or lubricating agents.

Proximity sensors for switching position display			
Pneumatic connection	Connection direction	Type	
		SME-10F-... L-...	SME-10F-... Q-...
G $\frac{1}{8}$	Underneath (UD)	■	■
	Side (LD)	-	■
G $\frac{1}{4}$	Underneath	■	■
	Side	-	■
G $\frac{1}{2}$	Underneath	■	■
	Side	-	■

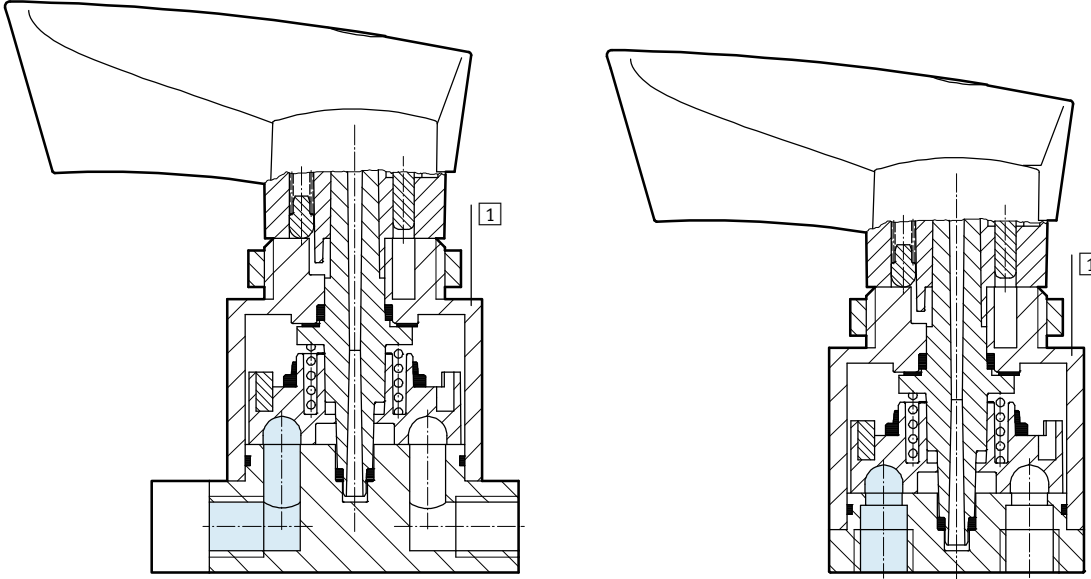
Hand lever valves VHER-AH

Technical data VHER with metal lever

FESTO

Sectional view

Hand lever valves VHER-AH-...



Materials

1	Housing	Die-cast aluminium
-	Seals	Nitrile rubber
-		Contains PWIS (paint wetting impairment substances)
-		Free of copper and PTFE

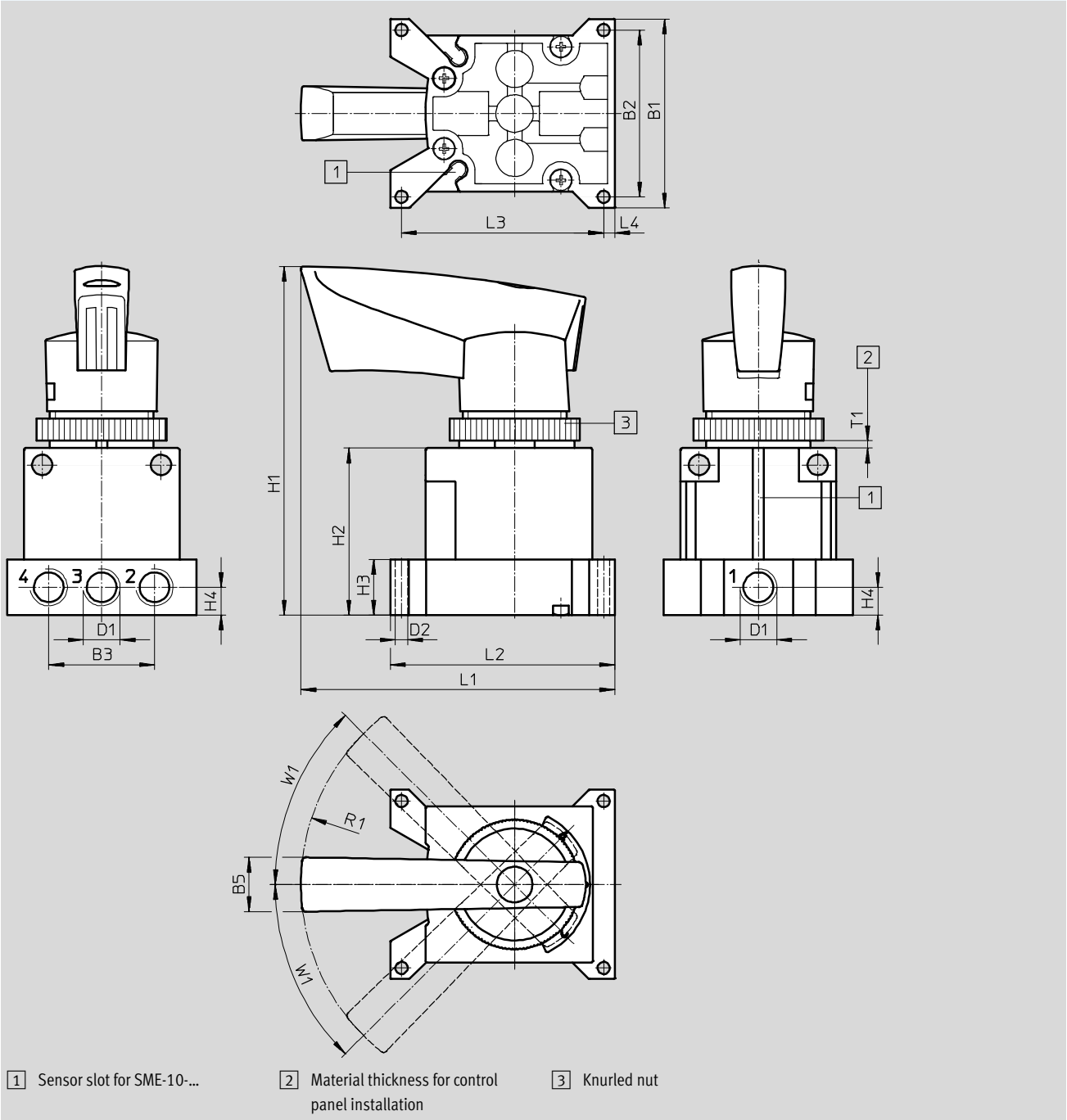
Hand lever valves VHER-AH

Technical data VHER with metal lever

Dimensions

Download CAD data → www.festo.com

Ports G¹/₈, side



Type	B1	B2	B3	B5	D1	D2	H1	H2	H3	H4	L1	L2	L3	L4	R1	T1	W1
VHER-AH-...-G18-LD	51	45	28.5	14.6	G ¹ / ₈	3.3	95	45	15	7.5	85	60.5	54.5	3	57.9	2 ... 4	45°

Hand lever valves VHER-AH

Technical data VHER with metal lever

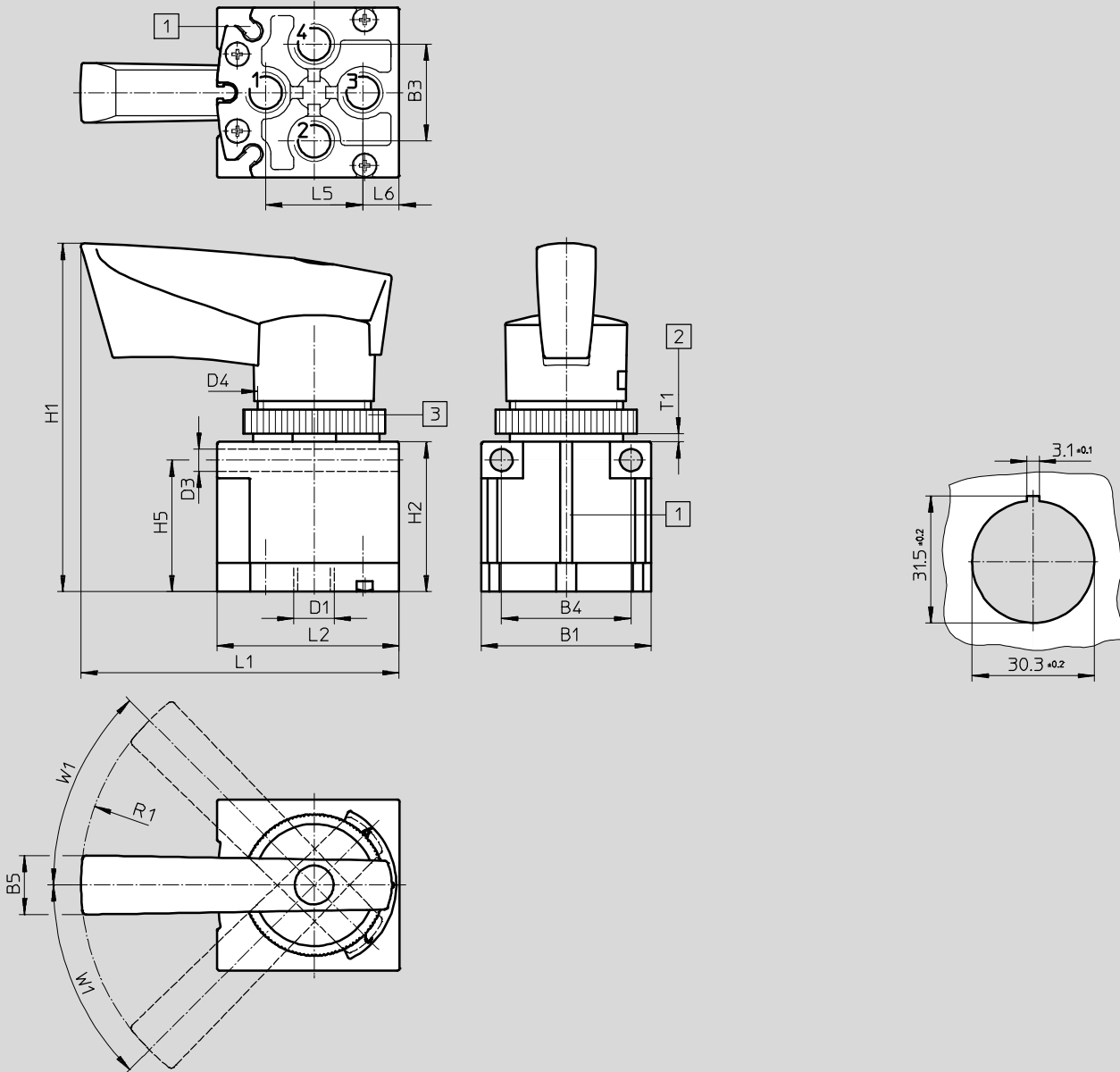


Dimensions

Ports G $\frac{1}{8}$, underneath

Download CAD data → www.festo.com

Mounting aperture



- 1 Sensor slot for SME-10-...
- 2 Material thickness for control panel installation
- 3 Knurled nut

Type	B1	B3	B4	B5	D1	D3	D4	H1	H2	H5	L1	L2	L5	L6	R1	T1	W1
VHER-AH-...-G18-UD	42	24	32	14.6	G $\frac{1}{8}$	5.5	M30	87	37	32.5	79	45	24	9	57.9	2 ... 4	45°

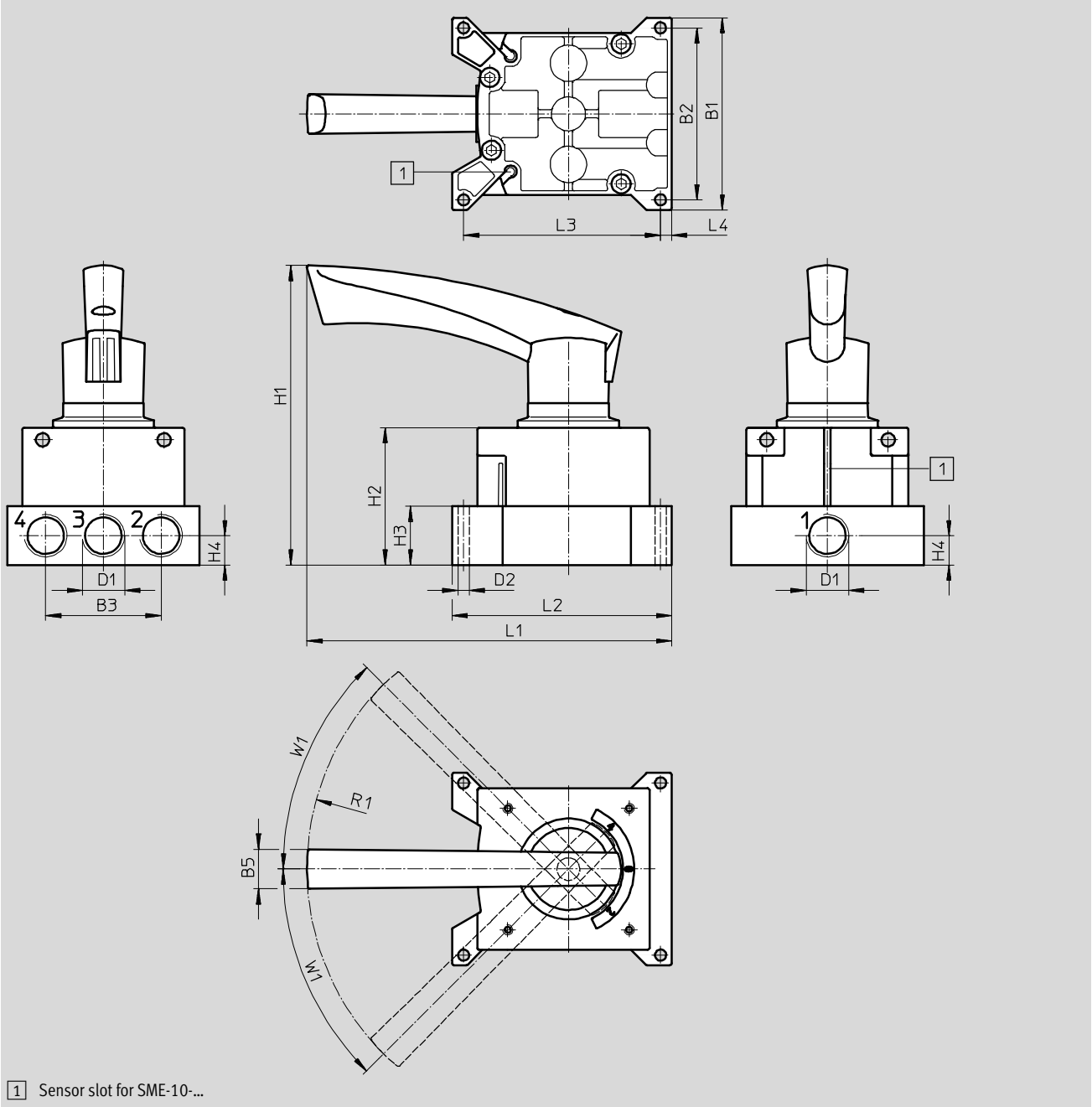
Hand lever valves VHER-AH

Technical data VHER with metal lever

Dimensions

Download CAD data → www.festo.com

Ports G¹/₄ and G¹/₂, side



Type	B1	B2	B3	B5	D1	D2 ∅	H1	H2	H3	H4	L1	L2	L3	L4	R1	W1
VHER-AH-...-G14-LD	66	57.5	37.5	19.5	G ¹ / ₄	4.5	136	56	20.5	10.3	165	77	69.2	4	128.7	45°
VHER-AH-...-G12-LD	95	85	57	19.5	G ¹ / ₂	5.5	149	68	29	14.5	180	108.5	97.3	5.5	128.7	

Hand lever valves VHER-AH

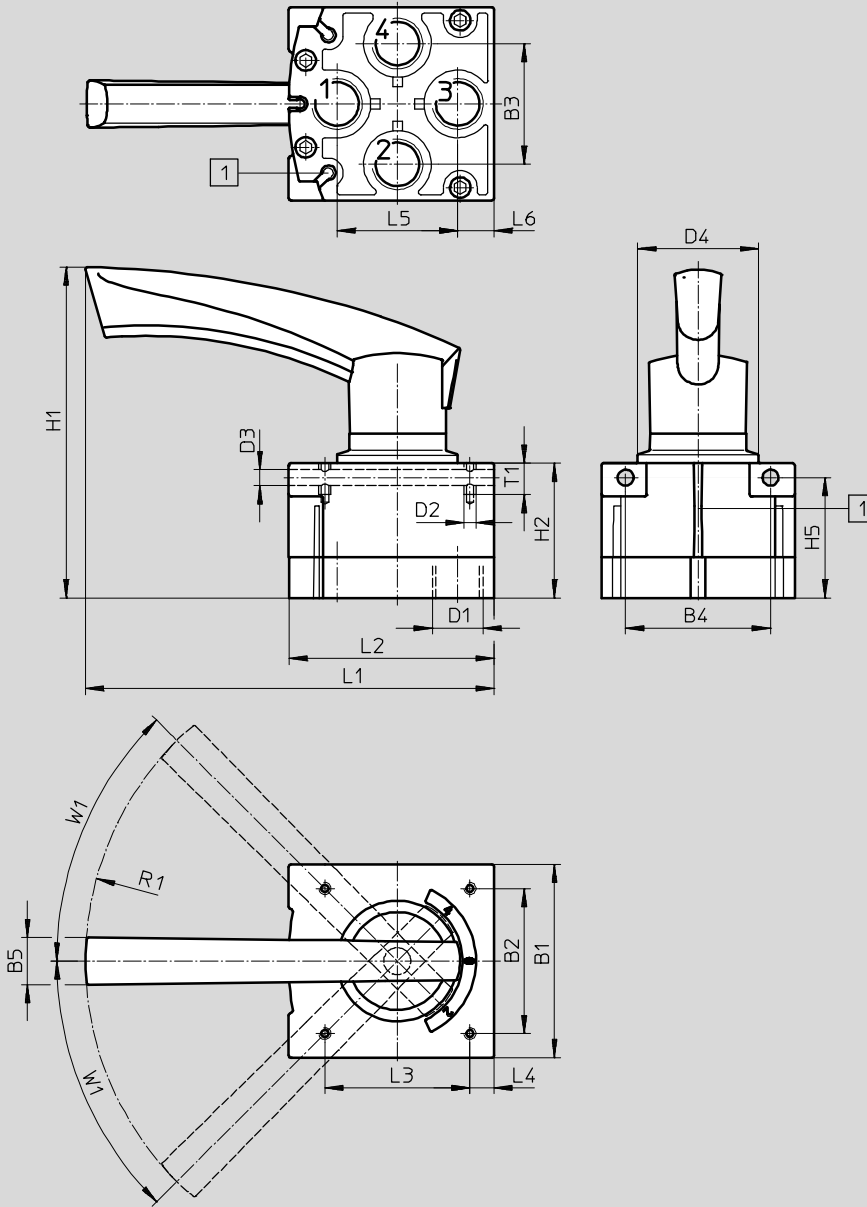
Technical data VHER with metal lever



Dimensions

Download CAD data → www.festo.com

Ports G $\frac{1}{4}$ and G $\frac{1}{2}$, underneath

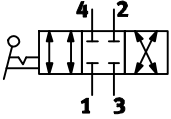
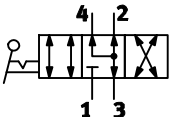
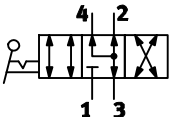


1 Sensor slot for SME-10-...

Type	B1	B2	B3	B4	B5	D1	D2	D3	D4	H1	H2	H5	L1	L2	L3	L4	L5	L6	R1	T1	W1
VHER-AH-...-G14-UD	56	42	33	42	19.5	G $\frac{1}{4}$	M5	5.5	40.5	130	49	43.5	157	60	42	7.2	33	11.4	128.7	12	45°
VHER-AH-...-G12-UD	80	60	50	60	19.5	G $\frac{1}{2}$	M6	6.6	51	137	55.8	49.8	169	85	60	10	50	15	128.7	13	

Hand lever valves VHER-AH

Technical data VHER with metal lever




Ordering data								
Circuit symbol	Description	Weight [g]	Connection direction	Pneumatic connection	Part No.	Type		
4/3-way valve ¹⁾								
	Mid-position closed	260	Side	G $\frac{1}{8}$	538178	VHER-AH-M04C-G18-LD		
		560		G $\frac{1}{4}$	538180	VHER-AH-M04C-G14-LD		
		1,010		G $\frac{1}{2}$	538182	VHER-AH-M04C-G12-LD		
			Mid-position exhausted	220	Underneath	G $\frac{1}{8}$	538179	VHER-AH-M04C-G18-UD
				510		G $\frac{1}{4}$	538181	VHER-AH-M04C-G14-UD
				860		G $\frac{1}{2}$	538183	VHER-AH-M04C-G12-UD
	Mid-position exhausted			260	Side	G $\frac{1}{8}$	538184	VHER-AH-M04E-G18-LD
				560		G $\frac{1}{4}$	538186	VHER-AH-M04E-G14-LD
				1,010		G $\frac{1}{2}$	538188	VHER-AH-M04E-G12-LD
		220	Underneath	G $\frac{1}{8}$	538185	VHER-AH-M04E-G18-UD		
				G $\frac{1}{4}$	538187	VHER-AH-M04E-G14-UD		
				G $\frac{1}{2}$	538189	VHER-AH-M04E-G12-UD		

1) The hand lever valve can be used as a 3/3-way valve by sealing port 2.

Hand lever valves VHER-BH

Technical data VHER with plastic lever

FESTO

-  Flow rate
170 ... 4,300 l/min
-  Pressure
-0.95 ... +10 bar
-  Temperature range
-20 ... +80 °C



General technical data							
Pneumatic connection			M5	G $\frac{1}{8}$	G $\frac{1}{4}$	G $\frac{1}{2}$	
Valve function		4/3-way, closed or exhausted					
Design		Rotary slide valve					
Sealing principle		Hard					
Type of mounting		Front panel mounting	Option of front panel mounting or through-holes				
Pilot control mode		Direct					
Actuation type		Manual					
Actuating lever		Polymer					
Actuator lock		Lockable with accessories					
Switching position display		Via accessories					
Assembly position		Any					
Direction of flow		Reversible					
Standard nominal flow rate	Ports at side	[l/min]	170	600	1,150	170	3,500
	Ports underneath	[l/min]	260	800	1,500	1,500	4,300
Nominal size		[mm]	4	6	8	12	
Pneumatic connection 1,2,3,4			M5	G $\frac{1}{8}$	G $\frac{1}{4}$	G $\frac{1}{2}$	
Actuating force at 6 bar		[N]					
Actuating torque at 10 bar		[Nm]	0.6	1.1	2.8		-

Operating and environmental conditions			
Operating medium		Compressed air in accordance with ISO 8573-1:2010 [7:4:4]	
Note on operating/pilot medium		Operation with lubricated medium possible (in which case lubricated operation will always be required)	
Operating pressure		[bar]	-0.95 ... 10
Ambient temperature		[°C]	-20 ... +80
Corrosion resistance class		[CRC]	2 ¹⁾

1) Corrosion resistance class 2 according to Festo standard 940 070
Components requiring moderate corrosion resistance. Externally visible parts with primarily decorative surface requirements which are in direct contact with a normal industrial environment or media such as coolants or lubricating agents.

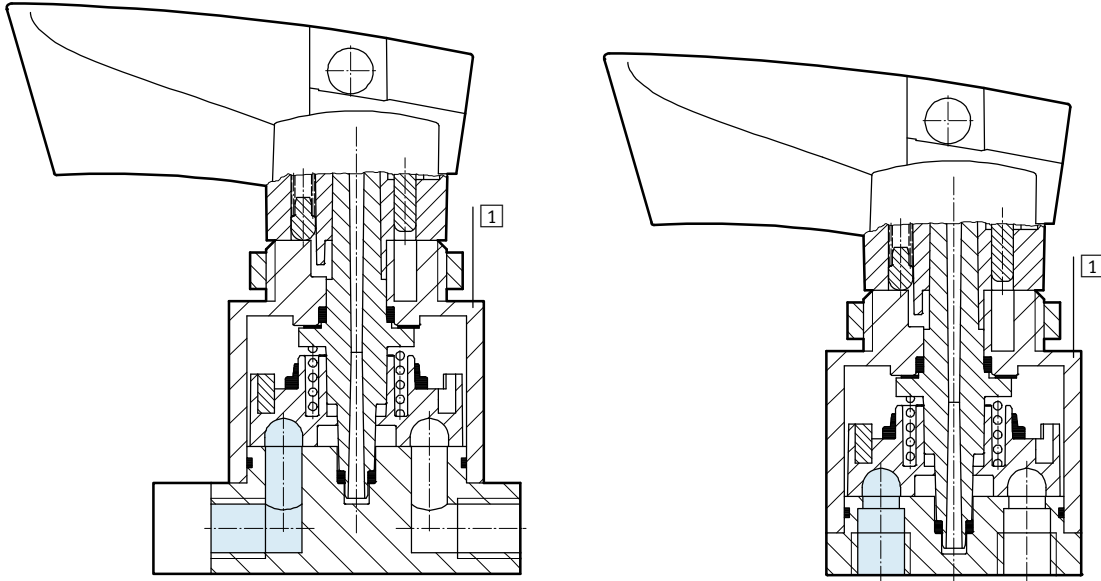
Proximity sensors for switching position display			
Pneumatic connection	Connection direction	Type	
		SME-10F-... L-...	SME-10F-... Q-...
M5	Underneath (UD)	■	■
	Side (LD)	-	■
G $\frac{1}{8}$	Underneath	■	■
	Side	-	■
G $\frac{1}{4}$	Underneath	■	■
	Side	-	■
G $\frac{1}{2}$	Underneath	■	■
	Side	-	■

Hand lever valves VHER-BH

Technical data VHER with plastic lever

Sectional view

Hand lever valves VHER-BH-...



Materials				
Pneumatic connection	M5	G1/8	G1/4	G1/2
1 Housing	Reinforced PA	Reinforced PA	Die-cast aluminium	Die-cast aluminium
- Seals	Nitrile rubber			
-	Contains PWIS			
-	Free of copper and PTFE			

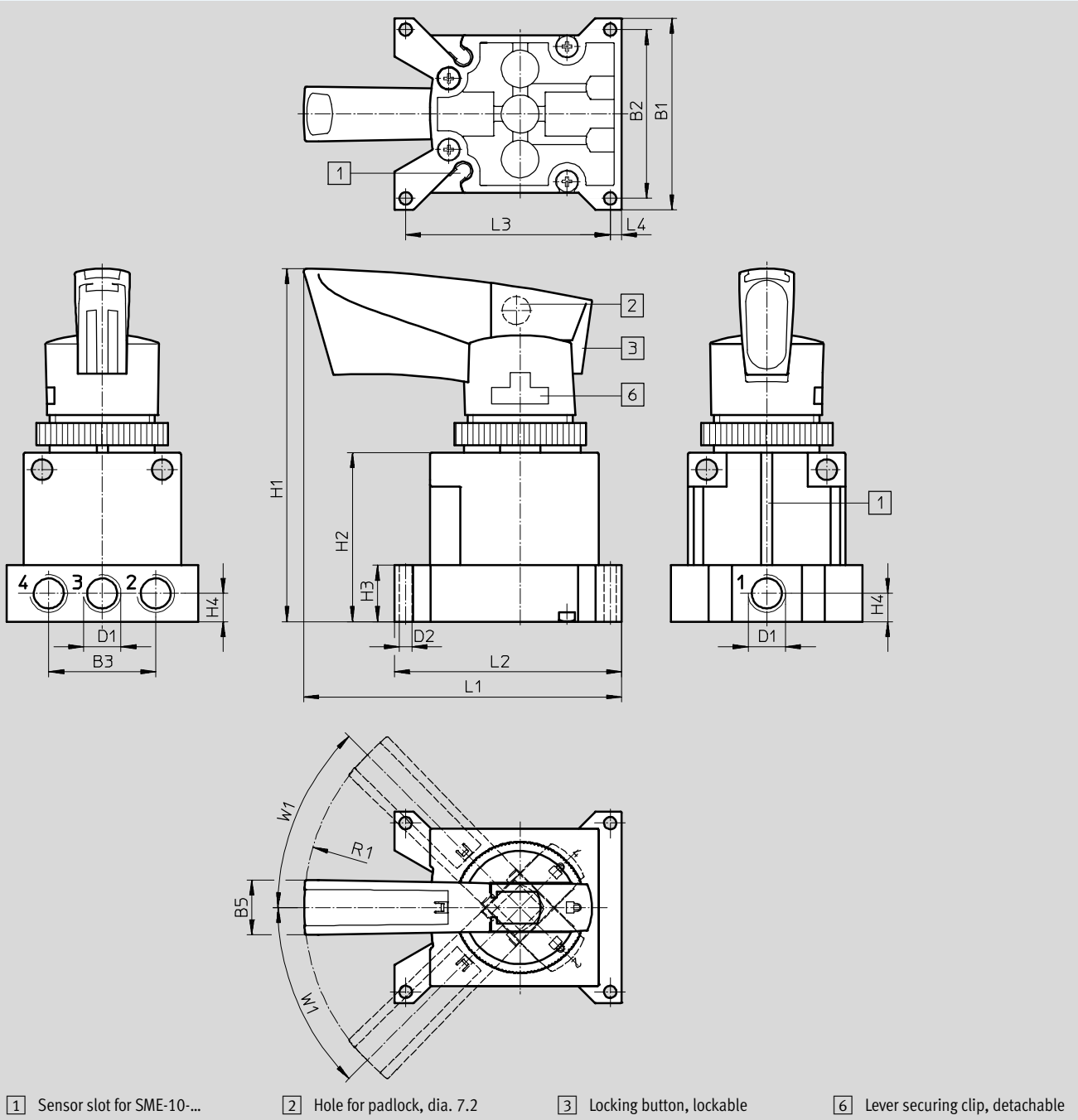
Hand lever valves VHER-BH

Technical data VHER with plastic lever

Dimensions

Download CAD data → www.festo.com

Ports M5 and G $\frac{1}{8}$, side



Type	B1	B2	B3	B5	D1	D2 ∅	H1	H2	H3	H4	L1	L2	L3	L4	R1	W1
VHER-BH-...-M05-LD	37	32	17.4	14.6	M5	2.7	82	32	10	5	78	45	40	2.5	57.9	45°
VHER-BH-...-G18-LD	51	45	28.5	14.6	G $\frac{1}{8}$	3.3	94	45	15	7.5	85	60.5	54.5	6	57.9	

Hand lever valves VHER-BH

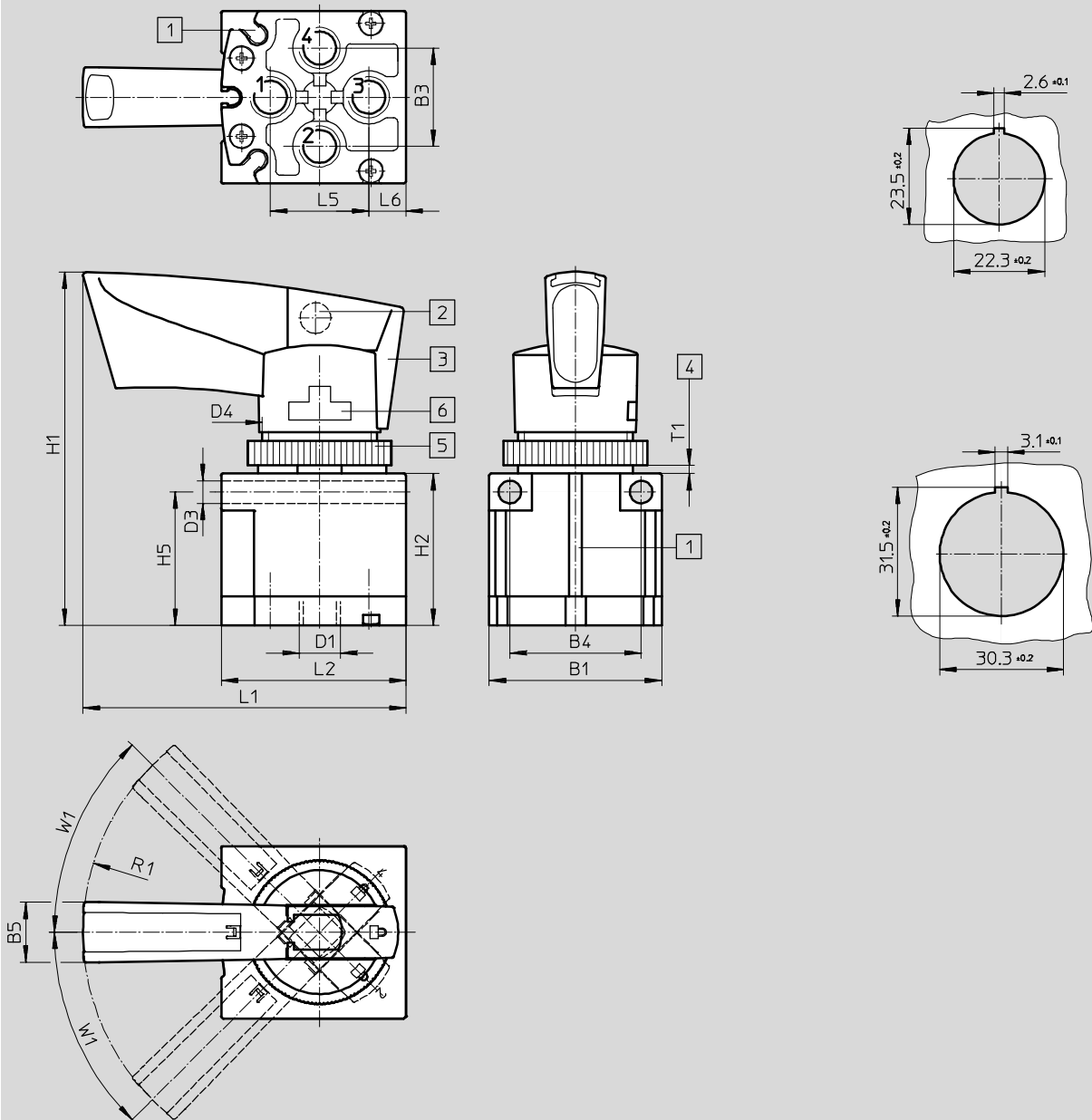
Technical data VHER with plastic lever

Dimensions

Ports M5 and G $\frac{1}{8}$, underneath

Download CAD data → www.festo.com

Mounting aperture for M5 and G $\frac{1}{8}$



- 1 Sensor slot for SME-10-...
- 2 Hole for padlock, dia. 7.2
- 3 Locking button, lockable
- 4 Material thickness for control panel installation
- 5 Knurled nut
- 6 Lever securing clip, detachable

Type	B1	B3	B4	B5	D1	D3 ∅	D4	H1	H2	H5	L1	L2	L5	L6	R1	T1	W1
VHER-BH-...-M05-UD	30	17	-	14.6	M5	-	M22	79	28.6	-	73	33.8	17	6.5	57.9	2 ... 4	45°
VHER-BH-...-G18-UD	42	24	32	14.6	G $\frac{1}{8}$	5.5	M30	86	37	32.5	79	45	24	9	57.9	1.5 ... 5.5	

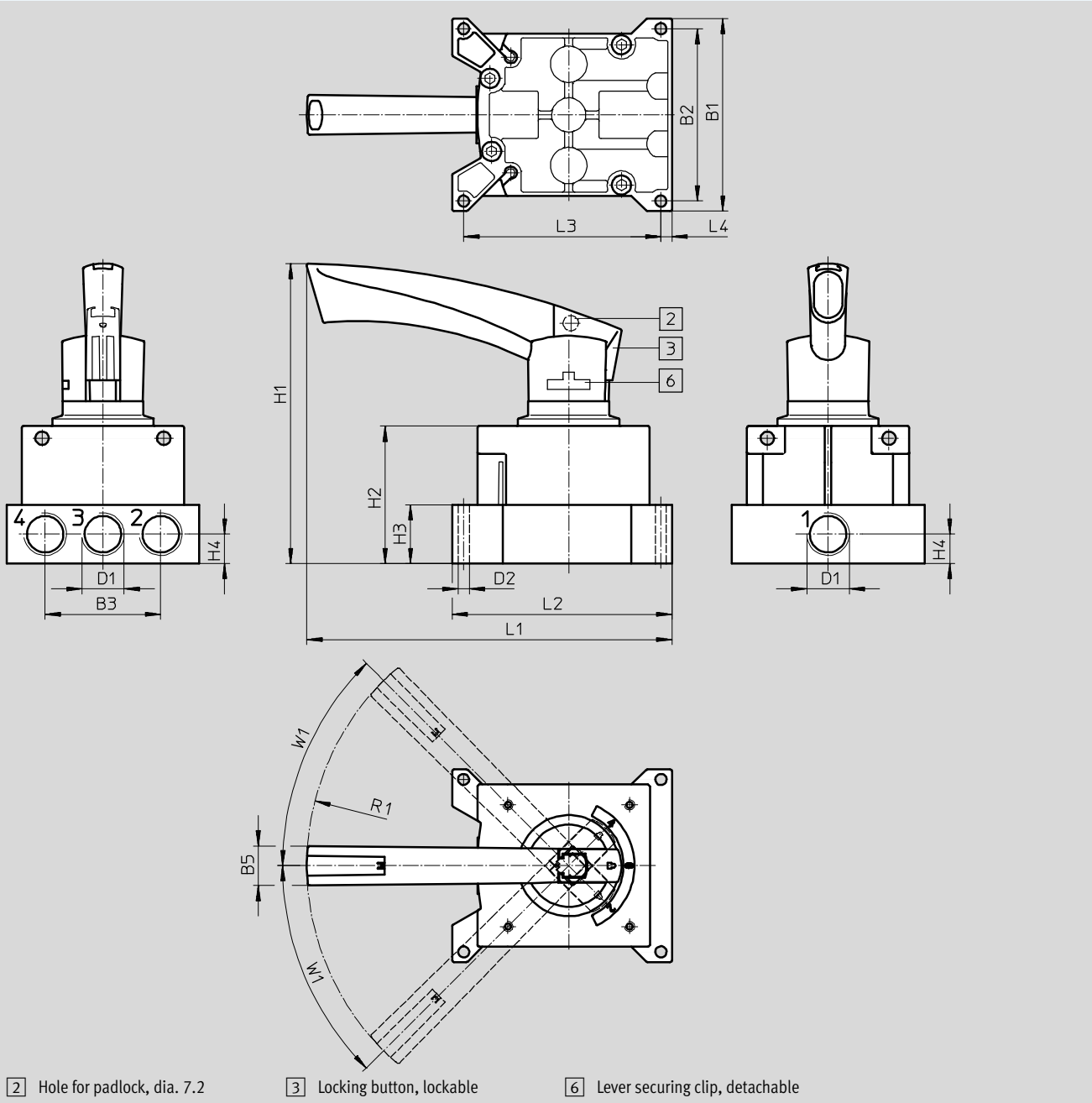
Hand lever valves VHER-BH

Technical data VHER with plastic lever

Dimensions

Download CAD data → www.festo.com

Ports G $\frac{1}{4}$ and G $\frac{1}{2}$, side



Type	B1	B2	B3	B5	D1	D2 Ø	H1	H2	H3	H4	L1	L2	L3	L4	R1	W1
VHER-BH....-G14-LD	66	57.5	37.5	19.5	G $\frac{1}{4}$	4.5	136	55.5	20.5	10.3	166	77	69.2	4	128.7	45°
VHER-BH....-G12-LD	95	85	57	19.5	G $\frac{1}{2}$	5.5	148	67.8	29	14.5	180	108.5	97.3	5.5	128.7	

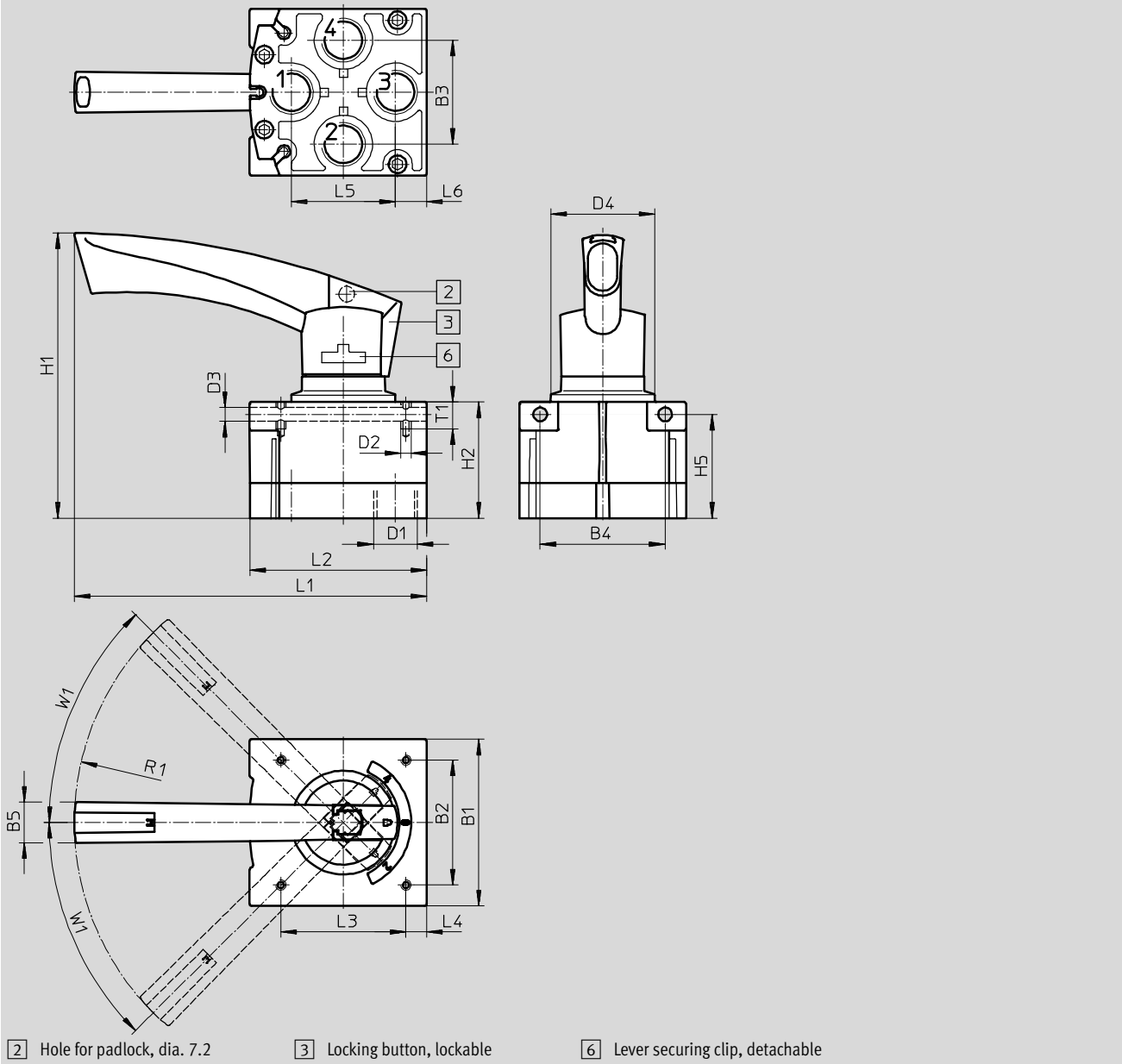
Hand lever valves VHER-BH

Technical data VHER with plastic lever

Dimensions

Download CAD data → www.festo.com

Ports G $\frac{1}{4}$ and G $\frac{1}{2}$, underneath



Type	B1	B2	B3	B4	B5	D1	D2	D3 ∅	D4
VHER-BH-...-G14-UD	56.3	42	33	42	19.5	G $\frac{1}{4}$	M5	5.5	40.5
VHER-BH-...-G12-UD	80	60	50	60	19.5	G $\frac{1}{2}$	M6	6.6	51

Type	H1	H2	H5	L1	L2	L3	L4	L5	L6	R1	T1	W1
VHER-BH-...-G14-UD	129	49	43.5	157	60.2	42	7.2	33	11.7	128.7	12	45°
VHER-BH-...-G12-UD	137	55.8	49.8	169	84.8	60	10	50	15	128.7	13	

Hand lever valves VHER-BH

Technical data VHER with plastic lever


Ordering data						
Circuit symbol	Description	Weight [g]	Connection direction	Pneumatic connection	Part No.	Type
4/3-way valve ¹⁾						
	Mid-position closed	95	Side	M5	538190	VHER-BH-M04C-M05-LD
		165		G $\frac{1}{8}$	538192	VHER-BH-M04C-G18-LD
		435		G $\frac{1}{4}$	538194	VHER-BH-M04C-G14-LD
		900		G $\frac{1}{2}$	538196	VHER-BH-M04C-G12-LD
		80	Underneath	M5	538191	VHER-BH-M04C-M05-UD
		125		G $\frac{1}{8}$	538193	VHER-BH-M04C-G18-UD
		375		G $\frac{1}{4}$	538195	VHER-BH-M04C-G14-UD
		740		G $\frac{1}{2}$	538197	VHER-BH-M04C-G12-UD
	Mid-position exhausted	95	Side	M5	538198	VHER-BH-M04E-M05-LD
		165		G $\frac{1}{8}$	538200	VHER-BH-M04E-G18-LD
		435		G $\frac{1}{4}$	538202	VHER-BH-M04E-G14-LD
		900		G $\frac{1}{2}$	538204	VHER-BH-M04E-G12-LD
		80	Underneath	M5	538199	VHER-BH-M04E-M05-UD
		125		G $\frac{1}{8}$	538201	VHER-BH-M04E-G18-UD
		375		G $\frac{1}{4}$	538203	VHER-BH-M04E-G14-UD
		740		G $\frac{1}{2}$	538205	VHER-BH-M04E-G12-UD

1) The hand lever valve can be used as a 3/3-way valve by sealing port 2.

Hand lever valves VHER

Accessories

FESTO


Ordering data for permitted push-in fittings for VHER								
Description	Part No.	Type	PU ¹⁾					
	M5	VHER...-M05-UD, connection direction: underneath (UD)						
		Without internal hex for	Tubing O.D. 3 mm	153302	QSM-M5-3	10		
			Tubing O.D. 4 mm	153304	QSM-M5-4	10		
			Tubing O.D. 6 mm	153306	QSM-M5-6	10		
		With internal hex for	Tubing O.D. 3 mm	153313	QSM-M5-3-I	10		
			Tubing O.D. 4 mm	153315	QSM-M5-4-I	10		
			Tubing O.D. 6 mm	153317	QSM-M5-6-I	10		
		VHER...-M05-LD, connection direction: at side (LD)						
		With internal hex for	Tubing O.D. 3 mm	153313	QSM-M5-3-I	10		
			Tubing O.D. 4 mm	153315	QSM-M5-4-I	10		
		1/8	VHER...-G18-UD, connection direction: underneath (UD)	Without internal hex for	Tubing O.D. 4 mm	186264	QSM-G1/8-4	10
					Tubing O.D. 6 mm	186265	QSM-G1/8-6	10
	Tubing O.D. 4 mm				186095	QS-G1/8-4	10	
	With internal hex for			Tubing O.D. 6 mm	186096	QS-G1/8-6	10	
				Tubing O.D. 8 mm	186098	QS-G1/8-8	10	
				Tubing O.D. 4 mm	186266	QSM-G1/8-4-I	10	
	With internal hex for			Tubing O.D. 6 mm	186267	QSM-G1/8-6-I	10	
				Tubing O.D. 4 mm	186106	QS-G1/8-4-I	10	
				Tubing O.D. 6 mm	186107	QS-G1/8-6-I	10	
	With internal hex for		Tubing O.D. 8 mm	186109	QS-G1/8-8-I	10		
			VHER...-G18-LD, connection direction: at side (LD)					
			With internal hex for	Tubing O.D. 4 mm	186266	QSM-G1/8-4-I	10	
	Tubing O.D. 6 mm			186267	QSM-G1/8-6-I	10		
	Tubing O.D. 4 mm			186106	QS-G1/8-4-I	10		
Tubing O.D. 6 mm	186107			QS-G1/8-6-I	10			
Tubing O.D. 8 mm	186109			QS-G1/8-8-I	10			
1/4	VHER...-G14-UD, connection direction: underneath (UD)		Without internal hex for	Tubing O.D. 6 mm	186097	QS-G1/4-6	10	
				Tubing O.D. 8 mm	186099	QS-G1/4-8	10	
		Tubing O.D. 10 mm		186101	QS-G1/4-10	10		
		With internal hex for	Tubing O.D. 6 mm	186108	QS-G1/4-6-I	10		
			Tubing O.D. 8 mm	186110	QS-G1/4-8-I	10		
			Tubing O.D. 10 mm	186112	QS-G1/4-10-I	10		
	VHER...-G14-LD, connection direction: at side (LD)							
	With internal hex for	Tubing O.D. 6 mm	186108	QS-G1/4-6-I	10			
		Tubing O.D. 8 mm	186110	QS-G1/4-8-I	10			
Tubing O.D. 10 mm		186112	QS-G1/4-10-I	10				
1/2	VHER...-G12-UD, connection direction: underneath (UD)	Without internal hex for	Tubing O.D. 12 mm	186104	QS-G1/2-12	1		
			Tubing O.D. 16 mm	186105	QS-G1/2-16	1		
		With internal hex for	Tubing O.D. 12 mm	186115	QS-G1/2-12-I	1		
	VHER...-G12-LD, connection direction: at side (LD)							
	With internal hex for	Tubing O.D. 12 mm	186115	QS-G1/2-12-I	1			

1) Packaging unit quantity

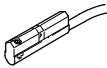
Hand lever valves VHER

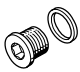
Accessories

FESTO

Ordering data for permitted silencers for VHER								
Description				Part No.	Type	PU ¹⁾		
	Connection	VHER...-M05-UD, connection direction: underneath (UD)		165003	UC-M5	1		
		M5	VHER...-M05-LD, connection direction: at side (LD)					
	1/8	VHER...-G18-UD, connection direction: underneath (UD)		6841	U-1/8-B	1		
							161419	UC-1/8
		VHER...-G18-LD, connection direction: at side (LD)		161419	UC-1/8	1		
	1/4	VHER...-G14-UD, connection direction: underneath (UD)		6842	U-1/4-B	1		
							165004	UC-1/4
		VHER...-G14-LD, connection direction: at side (LD)		165004	UC-1/4	1		
	1/2	VHER...-G12-UD, connection direction: underneath (UD)		6844	U-1/2-B	1		
VHER...-G12-LD, connection direction: at side (LD)		6844	U-1/2-B	1				

1) Packaging unit quantity

Ordering data for proximity sensors for VHER							
	Electrical connection		Cable length [m]	Connection outlet direction	Part No.	Type	
	Cable	Plug M8x1					
	N/O contact		2.5	In-line	173210	SME-10-KL-LED-24	
	3-wire						-
	-			0.3	In-line	173212	
							Lateral

Ordering data						
Description			Connection	Part No.	Type	
Blanking plug						
	For sealing ports		M5	3843	B-M5 ¹⁾	
			G1/8	3568	B-1/8 ¹⁾	
			G1/4	3569	B-1/4 ¹⁾	
			G1/2	3571	B-1/2 ¹⁾	