

Pressure sensors SPAW with display



Pressure sensors SPAW with display

Key features

FESTO

At a glance

9 pressure ranges from -1 ... +1 bar up to 0 ... +100 bar

Protection class IP67

320° rotatable display

1% accuracy, 0.15% repetition accuracy

Temperature of media -20 ... 85 °C

Materials in contact with media: CrNiMo: 316L, from a measuring range of 10 bar the membrane consists of 13-8-PH



4-digit LED display, easy to read, robust

Display
- Bar
- MPA
- kPa
- Psi
- Kg/cm²

Simple operation, protected by PIN code

Electrical connection M12

320° rotatable housing

G¹/₄ internal thread or G¹/₂ external thread

Product description

The SPAW is an extremely robust pressure sensor with display used for measuring media pressures in 9 measuring ranges from -1 ... 1 bar to 0 ... 100 bar. It can measure all media which do not corrode the stainless steel measuring cell and stainless steel housing. The switching outputs can be set quickly and easily using three buttons. The high-quality 14-segment LED display can be ro-

tated by 320° and the orientation of the lettering can be rotated by 180°. This ensures that the display is easily readable in every installation position. Different standard designs are available, e.g.:

- Internal thread G¹/₄ or external thread G¹/₂
- 2 x PNP or 2 x NPN
- 4 ... 20 mA or 0 ... 10 V

Main applications

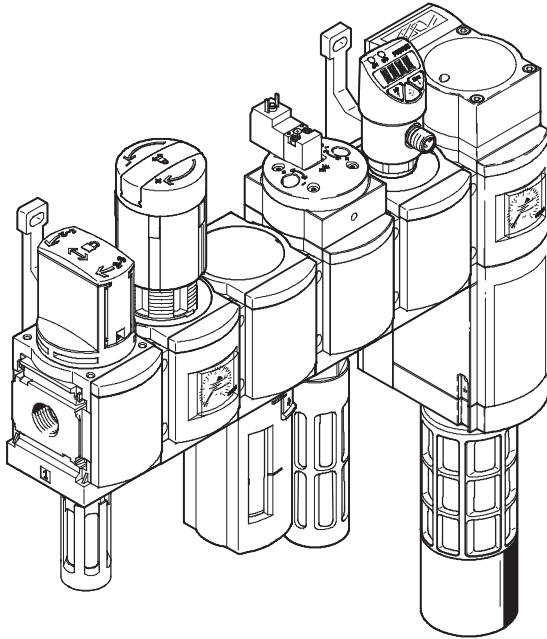
The pressure sensor SPAW is suitable for standard pressure measurements at an increased mechanical load. It can be used in high pressure pneumatic systems and to monitor the pressure of liquid media (e.g. coolant/cooling circuits, etc.)

Pressure sensors SPAW with display

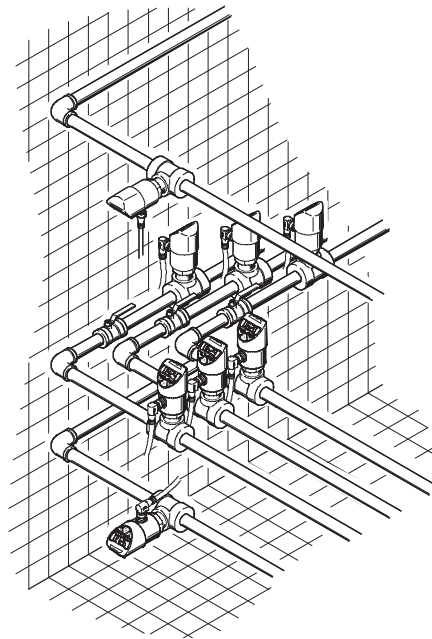
Key features

Application examples

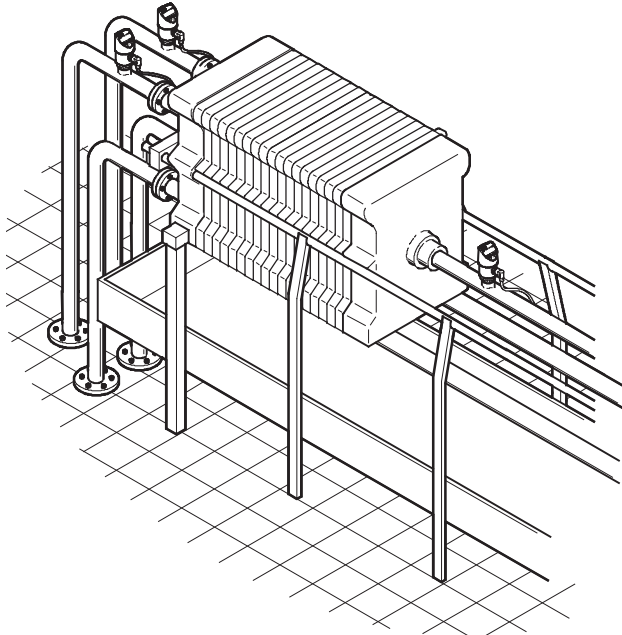
Pressure measurement in air preparation units



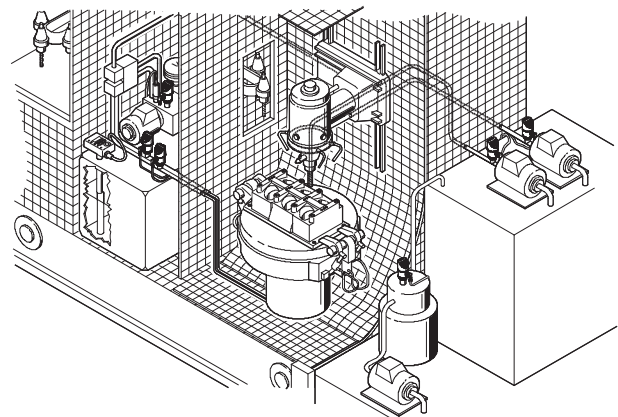
Pressure measurement in piping systems



Pressure measurement in filter systems

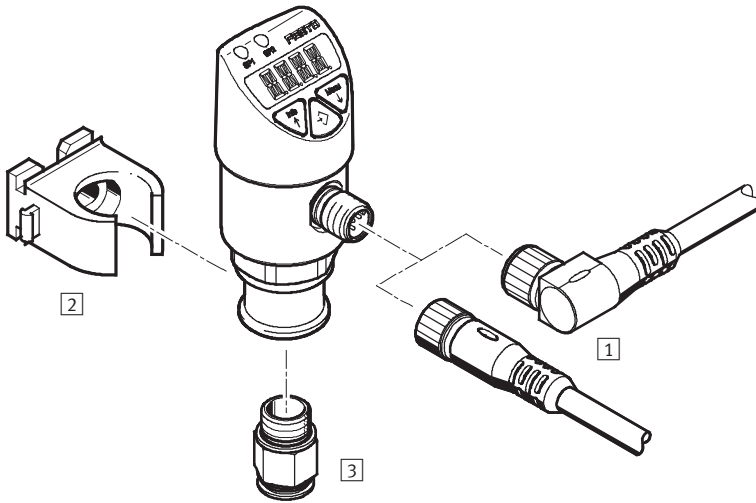


Pressure measurement for cutting oil supply and hydraulic applications



Pressure sensors SPAW with display

Peripherals overview



Mounting components and accessories		
	Brief description	→ Page/Internet
1	NEBU-M12 Connecting cable	12
2	PQ-RK-22-B Pipe clamp, only for G $\frac{1}{4}$ with internal thread	12
3	QS- $\frac{1}{4}$ Push-in fitting, only for G $\frac{1}{4}$ with internal thread	12

Pressure sensors SPAW with display

Type codes

SPAW - B2 R - G12 M - 2P - M12

Type

SPAW	Pressure sensor
------	-----------------

Pressure measuring range [bar]

B2	-1 ... +1
B11	-1 ... +10
P2	0 ... 2
P6	0 ... 6
P10	0 ... 10
P16	0 ... 16
P25	0 ... 25
P50	0 ... 50
P100	0 ... 100

Supply port

R	Relative pressure
---	-------------------

Pneumatic connection

G12	G 1/2
G14	G 3/4

Thread type

F	Internal thread
M	External thread

Electrical output

2P	2xPNP
2 N	2xNPN
2PA	2xPNP, 1 analogue output 4 ... 20 mA
2PV	2xPNP, 1 analogue output 0 ... 10 V
2NA	2xNPN, analogue output 4 ... 20 mA
2NV	2xNPN, analogue output 0 ... 10 V

Electrical connection

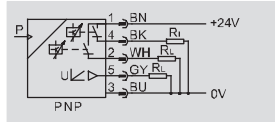
M12	Plug M12, A-coded
-----	-------------------

Pressure sensors SPAW with display

Technical data

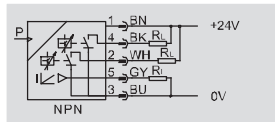
Function

e.g. switching output 2PV



- Pressure measuring range up to 100 bar
- For liquid media
- For gaseous media

e.g. switching output 2NA



General technical data	
General	
Certification	RCM trademark cULus listed (OL)
CE marking (see declaration of conformity) ¹⁾	To EU EMC Directive
Note on materials	Contains PWIS (paint-wetting impairment substances), RoHS-compliant

1) For information about the applicability of the component see the manufacturer's EC declaration of conformity at: www.festo.com → Support → User documentation.
If the component is subject to restrictions on usage in residential, office or commercial environments or small businesses, further measures to reduce the emitted interference may be necessary.

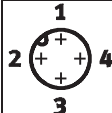
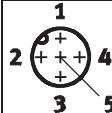
Input signal/measuring element									
SPAW-	B2R	P2R	P6R	P10R	B11R	P16R	P25R	P50R	P100R
Input signal/measuring element									
Measured variable	Relative pressure								
Method of measurement	Piezoresistive pressure sensor				Metal thin film pressure sensor				
Pressure measuring range starting value [bar]	-1	0	0	0	-1	0	0	0	0
Pressure measuring range final value [bar]	1	2	6	10	10	16	25	50	100
Overload pressure [bar]	2	4	12	20	20	32	50	100	200
Operating medium	Compressed air to ISO 8573-1:2010 [:-:-] Liquid media ²⁾ Gaseous media ²⁾								
Temperature of medium [°C]	-20 ... 85								
Ambient temperature [°C]	0 ... 80								

2) Please observe the resistance to media of parts that come into contact with the media

Pressure sensors SPAW with display

Technical data

Electrical data		
Output, general		
Accuracy	[±%FS]	1
Repetition accuracy	[±%FS]	0.15
Switching output		
Switching function		Freely programmable
Switching element function		Switchable
Max. output current	[mA]	250
Analogue output		
Rise time	[ms]	3
Output, additional data		
Protection against short circuit		Yes
Electronics		
Operating voltage range DC	[V]	15 ... 35
Protection against incorrect polarity		For operating voltage
Electromechanical components		
Electrical connection		4-pin Plug M12x1, 5 pin Plug M12x1
		To EN 60947-5-2
		Round design

Pin allocation to EN 60947-5-2		
Plug, 4-pin, only for sensors without analogue output		
M12x1	Pin	Allocation
	1	Operating voltage U_B
	3	0V
	4	Switching output SP1
	2	Switching output SP2
Plug, 5-pin, only for sensors with analogue output		
M12x1	Pin	Allocation
	1	Operating voltage U_B
	3	0V
	5	Analogue output A_{out}
	4	Switching output SP1
	2	Switching output SP2

Pressure sensors SPAW with display

Technical data

Mechanical components		G14F	G12M
Mounting position		Any	
Type of mounting		With internal thread, with accessories	With external thread
Pneumatic connection		Internal thread G1/4 (EN 837)	External thread G1/2 (DIN 3852-E)
Product weight	[g]	230	
Housing material information		ABS, high-alloy stainless steel	
Materials in contact with the medium ¹⁾		High-alloy stainless steel	
Seals		–	NBR

Display/operation	
Display type	LED display, 4-character alphanumeric
Displayable units	Bar
	Kg/cm ²
	kPa
	MPa
	Psi
Switching status display	Red LED
Setting options	Via display and keys
Protection against tampering	PIN code
Threshold value setting range	[%] 0.5 ... 100
Hysteresis setting range	[%] 0.5 ... 99.5

Immissions/emissions	
Protection class	IP65, IP67
Corrosion resistance class CRC ²⁾	4

1) CrNiMo group: Up to 6 bar 316 L, from a measuring range of 10 bar the membrane consists of 13-8-PH

2) Corrosion resistance class 4 to Festo standard 940 070

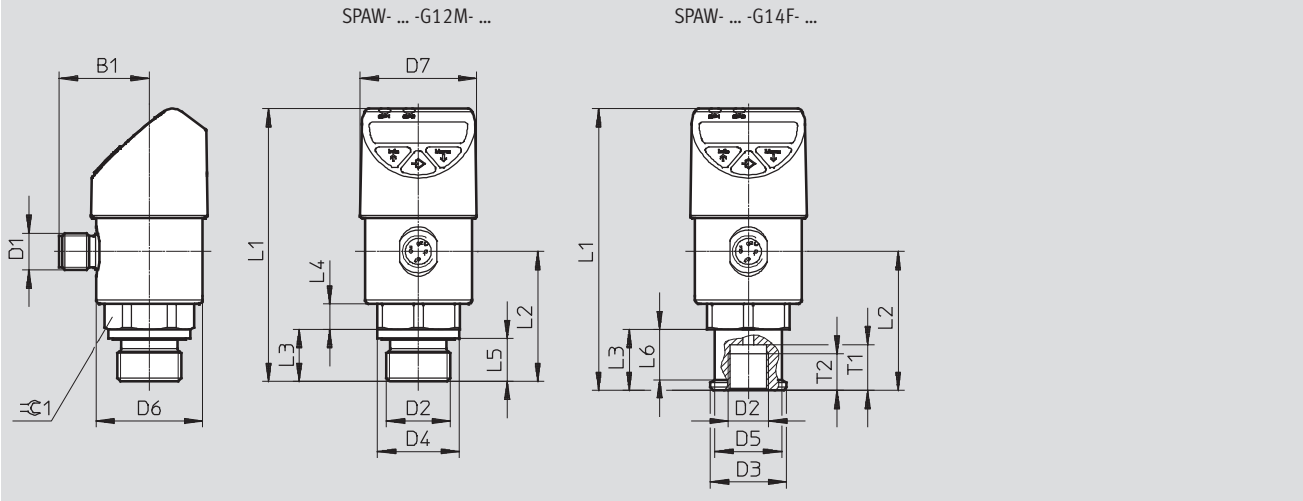
Components subject to particularly high corrosion stress. Parts used with aggressive media, e.g. in the food or chemical industry. These applications should be supported with special tests with the media if required.

Pressure sensors SPAW with display

Technical data

Dimensions


Download CAD data → www.festo.com



Type	B1	D1	D2	D3 Ø	D4 Ø	D5 Ø	D6 Ø	D7 Ø	L1	L2	L3	L4	L5	L6	T1	T2	≙
SPAW- ... -G12M- ...	29.5	M12x1	G½	-	26.9	-	35	38	89.4	42.5	17	8.3	14	-	-	-	27
SPAW- ... -G14F- ...	29.5	M12x1	G¼	25	-	22	35	38	92.4	45.5	20	8.3	-	16.5	15	12	27


Pressure sensors SPAW with display

Technical data

Ordering data, G $\frac{1}{4}$ internal thread					
Pneumatic connection	Pressure measuring range [bar]	Switching output	Analogue output		Part no. Type
			[mA]	[V]	
	-1 ... +1	2x PNP	-	-	8022740 SPAW-B2R-G14F-2P-M12
	-1 ... +10				8022741 SPAW-B11R-G14F-2P-M12
	0 ... +2				8022742 SPAW-P2R-G14F-2P-M12
	0 ... +6				8022743 SPAW-P6R-G14F-2P-M12
	0 ... +10				8022744 SPAW-P10R-G14F-2P-M12
	0 ... +16				8022745 SPAW-P16R-G14F-2P-M12
	0 ... +25				8022746 SPAW-P25R-G14F-2P-M12
	0 ... +50				8022747 SPAW-P50R-G14F-2P-M12
	0 ... +100				8022748 SPAW-P100R-G14F-2P-M12
	-1 ... +1				2x NPN
	-1 ... +10	8022759 SPAW-B11R-G14F-2N-M12			
	0 ... +2	8022760 SPAW-P2R-G14F-2N-M12			
	0 ... +6	8022761 SPAW-P6R-G14F-2N-M12			
	0 ... +10	8022762 SPAW-P10R-G14F-2N-M12			
	0 ... +16	8022763 SPAW-P16R-G14F-2N-M12			
	0 ... +25	8022764 SPAW-P25R-G14F-2N-M12			
	0 ... +50	8022765 SPAW-P50R-G14F-2N-M12			
	0 ... +100	8022766 SPAW-P100R-G14F-2N-M12			
	-1 ... +1	2xPNP	4 ... 20	-	
	-1 ... +10				8022777 SPAW-B11R-G14F-2PA-M12
	0 ... +2				8022778 SPAW-P2R-G14F-2PA-M12
	0 ... +6				8022779 SPAW-P6R-G14F-2PA-M12
	0 ... +10				8022780 SPAW-P10R-G14F-2PA-M12
	0 ... +16				8022781 SPAW-P16R-G14F-2PA-M12
	0 ... +25				8022782 SPAW-P25R-G14F-2PA-M12
	0 ... +50				8022783 SPAW-P50R-G14F-2PA-M12
	0 ... +100				8022784 SPAW-P100R-G14F-2PA-M12
	-1 ... +1				2xPNP
	-1 ... +10	8022795 SPAW-B11R-G14F-2PV-M12			
	0 ... +2	8022796 SPAW-P2R-G14F-2PV-M12			
	0 ... +6	8022797 SPAW-P6R-G14F-2PV-M12			
	0 ... +10	8022798 SPAW-P10R-G14F-2PV-M12			
	0 ... +16	8022799 SPAW-P16R-G14F-2PV-M12			
	0 ... +25	8022800 SPAW-P25R-G14F-2PV-M12			
	0 ... +50	8022801 SPAW-P50R-G14F-2PV-M12			
	0 ... +100	8022802 SPAW-P100R-G14F-2PV-M12			
	-1 ... +1	2x NPN	4 ... 20	-	
	-1 ... +10				8022813 SPAW-B11R-G14F-2NA-M12
	0 ... +2				8022814 SPAW-P2R-G14F-2NA-M12
	0 ... +6				8022815 SPAW-P6R-G14F-2NA-M12
	0 ... +10				8022816 SPAW-P10R-G14F-2NA-M12
	0 ... +16				8022817 SPAW-P16R-G14F-2NA-M12
	0 ... +25				8022818 SPAW-P25R-G14F-2NA-M12
	0 ... +50				8022819 SPAW-P50R-G14F-2NA-M12
	0 ... +100				8022820 SPAW-P100R-G14F-2NA-M12
	-1 ... +1				2x NPN
	-1 ... +10	8022831 SPAW-B11R-G14F-2NV-M12			
	0 ... +2	8022832 SPAW-P2R-G14F-2NV-M12			
0 ... +6	8022833 SPAW-P6R-G14F-2NV-M12				
0 ... +10	8022834 SPAW-P10R-G14F-2NV-M12				
0 ... +16	8022835 SPAW-P16R-G14F-2NV-M12				
0 ... +25	8022836 SPAW-P25R-G14F-2NV-M12				
0 ... +50	8022837 SPAW-P50R-G14F-2NV-M12				
0 ... +100	8022838 SPAW-P100R-G14F-2NV-M12				

Pressure sensors SPAW with display



Technical data


Ordering data, G $\frac{1}{2}$ with external thread					
Pneumatic connection	Pressure measuring range [bar]	Switching output	Analogue output		Part no. Type
			[mA]	[V]	
	-1 ... +1	2x PNP	-	-	8022749 SPAW-B2R-G12M-2P-M12
	-1 ... +10				8022750 SPAW-B11R-G12M-2P-M12
	0 ... +2				8022751 SPAW-P2R-G12M-2P-M12
	0 ... +6				8022752 SPAW-P6R-G12M-2P-M12
	0 ... +10				8022753 SPAW-P10R-G12M-2P-M12
	0 ... +16				8022754 SPAW-P16R-G12M-2P-M12
	0 ... +25				8022755 SPAW-P25R-G12M-2P-M12
	0 ... +50				8022756 SPAW-P50R-G12M-2P-M12
	0 ... +100				8022757 SPAW-P100R-G12M-2P-M12
	-1 ... +1				2x NPN
	-1 ... +10	8022768 SPAW-B11R-G12M-2N-M12			
	0 ... +2	8022769 SPAW-P2R-G12M-2N-M12			
	0 ... +6	8022770 SPAW-P6R-G12M-2N-M12			
	0 ... +10	8022771 SPAW-P10R-G12M-2N-M12			
	0 ... +16	8022772 SPAW-P16R-G12M-2N-M12			
	0 ... +25	8022773 SPAW-P25R-G12M-2N-M12			
	0 ... +50	8022774 SPAW-P50R-G12M-2N-M12			
	0 ... +100	8022775 SPAW-P100R-G12M-2N-M12			
	-1 ... +1	2xPNP	4 ... 20	-	
	-1 ... +10				8022786 SPAW-B11R-G12M-2PA-M12
	0 ... +2				8022787 SPAW-P2R-G12M-2PA-M12
	0 ... +6				8022788 SPAW-P6R-G12M-2PA-M12
	0 ... +10				8022789 SPAW-P10R-G12M-2PA-M12
	0 ... +16				8022790 SPAW-P16R-G12M-2PA-M12
	0 ... +25				8022791 SPAW-P25R-G12M-2PA-M12
	0 ... +50				8022792 SPAW-P50R-G12M-2PA-M12
	0 ... +100				8022793 SPAW-P100R-G12M-2PA-M12
	-1 ... +1				2xPNP
	-1 ... +10	8022804 SPAW-B11R-G12M-2PV-M12			
	0 ... +2	8022805 SPAW-P2R-G12M-2PV-M12			
	0 ... +6	8022806 SPAW-P6R-G12M-2PV-M12			
	0 ... +10	8022807 SPAW-P10R-G12M-2PV-M12			
	0 ... +16	8022808 SPAW-P16R-G12M-2PV-M12			
	0 ... +25	8022809 SPAW-P25R-G12M-2PV-M12			
	0 ... +50	8022810 SPAW-P50R-G12M-2PV-M12			
	0 ... +100	8022811 SPAW-P100R-G12M-2PV-M12			
	-1 ... +1	2xNPN	4 ... 20	-	
	-1 ... +10				8022822 SPAW-B11R-G12M-2NA-M12
	0 ... +2				8022823 SPAW-P2R-G12M-2NA-M12
	0 ... +6				8022824 SPAW-P6R-G12M-2NA-M12
	0 ... +10				8022825 SPAW-P10R-G12M-2NA-M12
	0 ... +16				8022826 SPAW-P16R-G12M-2NA-M12
	0 ... +25				8022827 SPAW-P25R-G12M-2NA-M12
	0 ... +50				8022828 SPAW-P50R-G12M-2NA-M12
	0 ... +100				8022829 SPAW-P100R-G12M-2NA-M12
	-1 ... +1				2xNPN
	-1 ... +10	8022840 SPAW-B11R-G12M-2NV-M12			
	0 ... +2	8022841 SPAW-P2R-G12M-2NV-M12			
0 ... +6	8022842 SPAW-P6R-G12M-2NV-M12				
0 ... +10	8022843 SPAW-P10R-G12M-2NV-M12				
0 ... +16	8022844 SPAW-P16R-G12M-2NV-M12				
0 ... +25	8022845 SPAW-P25R-G12M-2NV-M12				
0 ... +50	8022846 SPAW-P50R-G12M-2NV-M12				
0 ... +100	8022847 SPAW-P100R-G12M-2NV-M12				

Pressure sensors SPAW with display


Accessories

FESTO

Ordering data – Connecting cables				Technical data → Internet: nebu	
	Number of wires/pins	Cable length [m]	Part no.	Type	
M12x1, straight socket, open end					
	4	2.5	550326	NEBU-M12G5-K-2.5-LE4	
		5	541328	NEBU-M12G5-K-5-LE4	
	5	2.5	541330	NEBU-M12G5-K-2.5-LE5	
		5	541331	NEBU-M12G5-K-5-LE5	
M12x1, angled socket, open end					
	4	2.5	550325	NEBU-M12W5-K-2.5-LE4	
		5	541329	NEBU-M12W5-K-5-LE4	

Ordering data – Push-in fittings ¹⁾				Technical data → Internet: quick star	
	For tubing O.D. Ø	Part no.	Type		
	4 mm	190644	QS-¼-4¹⁾		
	6 mm	153003	QS-¼-6¹⁾		
	8 mm	153005	QS-¼-8¹⁾		

1) Temperature-dependent operating pressure –0.95 ... 14 bar

Ordering data – Pipe clamp			
		Part no.	Type
		550598	PQ-RK-22-B