

Vision sensors SBI

FESTO



Vision sensors SBSI

Key features

Vision sensors SBSI

The vision sensors SBSI are an easy first step into a vision system and can be used to read 1D/2D codes or for quality inspection, depending on the model. Their impressive features include intuitive software for easy parameterisation, even with no expert knowledge, and powerful, fast

detection algorithms. The lighting and lens are already integrated into the compact IP67 housing, designed for use in harsh industrial environments. If necessary, external lights, SBAL, can be connected directly to the vision sensor.

- All-in-one device with integrated lens, lighting, evaluation and communication
- Simple user interface, just 3 or 4 steps to a solution
- Powerful and fast software tools
- External lights SBAL can be connected directly, Festo plug & work

Code reader SBSI-B

→ Page 6

The range of code readers SBSI-B is designed especially for reading 1D barcodes and 2D matrix codes. The powerful algorithms have no problem with even hard-to-read, directly-

marked codes (e.g. dot-peened or laser-machined onto metal). Where multiple codes are included in the image, up to 10 codes can be read at a time.

- Reading 1D bar codes: EAN, code 39, code 128, ...
- Reading 2D matrix codes: DMC ECC200, QR code, PDF 417
- Reading directly marked codes
- Multi-code: reading up to 10 codes at once

Object sensor SBSI-Q

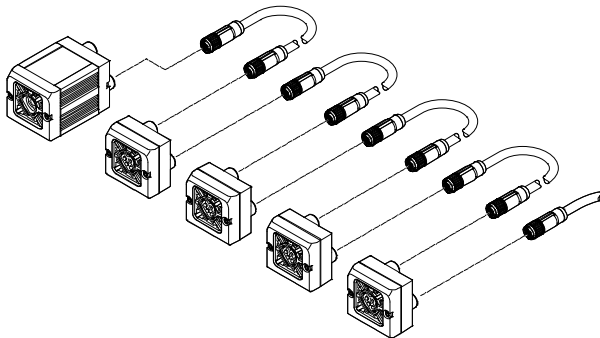
→ Page 9

With the range of object sensors SBSI-Q, checking product quality is child's play. It is very easy to inspect an item for alignment/orientation and check it is complete/present, for example. If the parts are not being

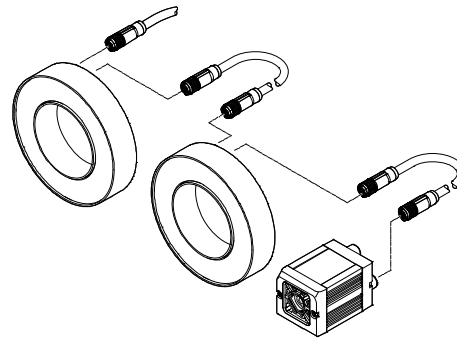
fed in the correct position, a powerful tracking algorithm is available which flexibly detects the position and 360° rotary orientation of the parts and automatically aligns the other detection tools.

- Easy quality inspection
- 360° position tracking
- Fast and powerful detection algorithms

Connection of external area lights SBAL-C6-A to the vision sensor SBSI.
Up to 4 area lights can be connected directly to the SBSI.



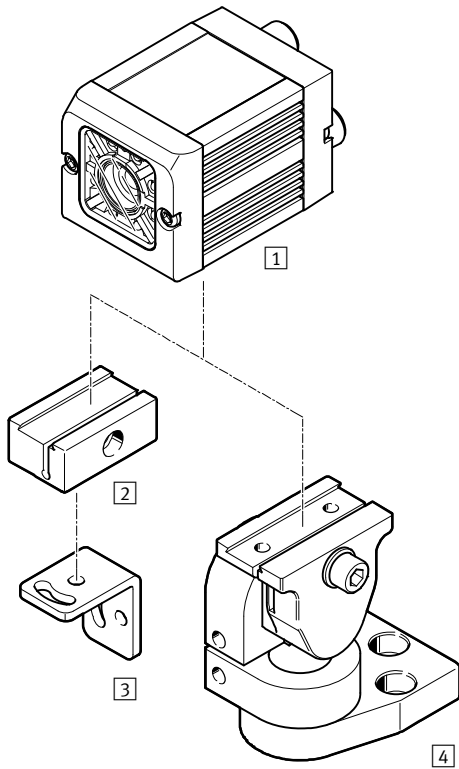
Connection of external ring lights SBAL-C6-R to the vision sensor SBSI.
Up to 2 ring lights can be connected directly to the SBSI.



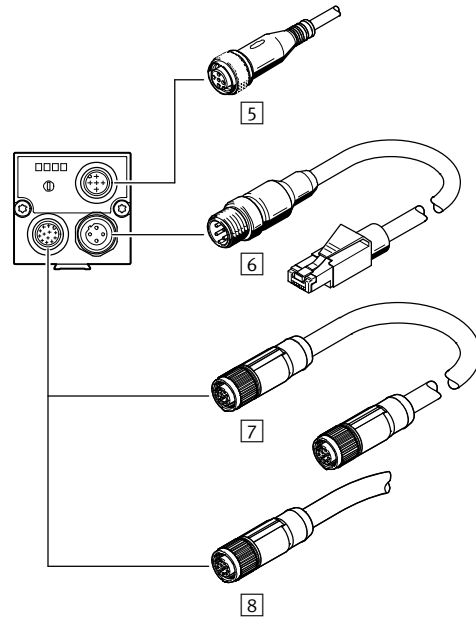
Vision sensors SBSI

Peripherals overview

Mechanical connection options



Electrical connection options

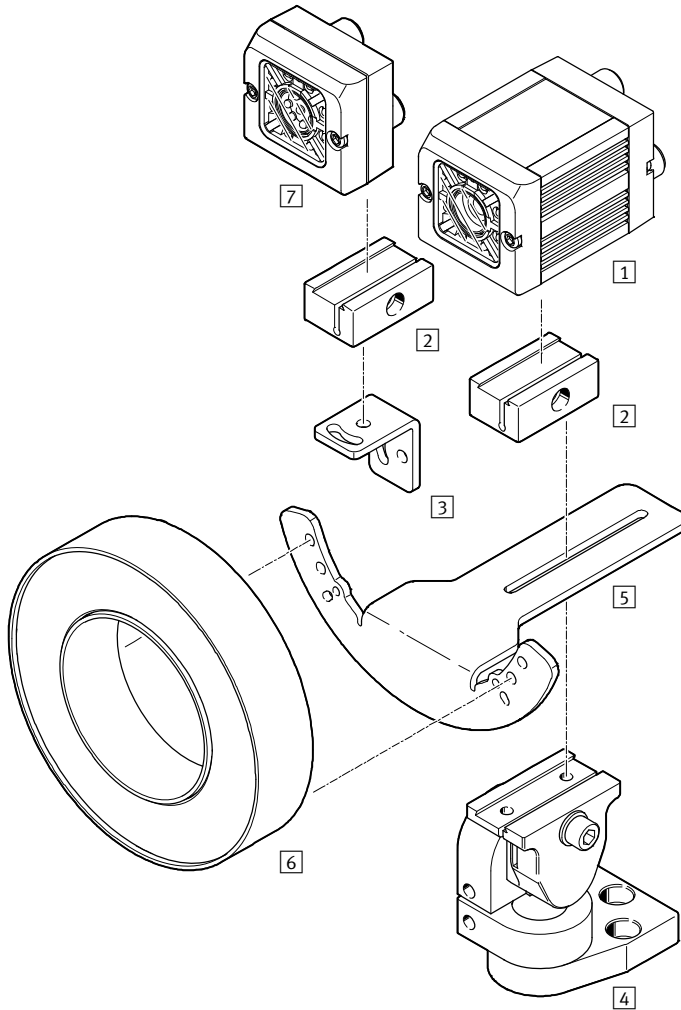


| Mounting components and connecting cables | | |
|---|--|--------|
| | Brief description | → Page |
| 1 | Vision sensor SBSI-... Vision sensor SBSI with integrated lens and lighting in code reader SBSI-B-... or object sensor SBSI-Q-... versions | 6, 9 |
| 2 | Mounting SBAM-C6-CP Clamp fitting with dovetail slot | 18 |
| 3 | Mounting bracket SBAM-C6-A Mounting bracket 90°. Adjustment option with 2 levels | 18 |
| 4 | Swivel mounting SBAM-C6-A2 Clamp fitting with dovetail slot. Can be turned and rotated around 2 axes | 19 |
| 5 | Connecting cable NEBS-M12G5-KS-...-LE12 Serial data cable (M12, 5-pin on open end); length 5 m or 10 m (code reader only) | 20 |
| 6 | Connecting cable NEBC-D12G4-KS-...-R3G4 Ethernet cable (M12, 4-pin on RJ45); length 3 m or 10 m | 20 |
| 7 | Connecting cable NEBS-M12G12-KS-...-SM12G12 Cable for connecting the external lights SBAL (M12, 12-pin on M12, 12-pin); length 0.5 m or 2 m | 20 |
| 8 | Connecting cable NEBS-M12G12-KS-...-LE12 Cable for power supply and digital I/Os (M12, 12-pin on open end); length 5 m or 10 m | 20 |

Vision sensors SBSI

Peripherals overview

Mechanical connection options with external lighting



| Mounting components and accessories | | |
|-------------------------------------|---|--------|
| | Brief description | → Page |
| 1 | Vision sensor SBSI-... Vision sensor SBSI with integrated lens and lighting in code reader SBSI-B-... or object sensor SBSI-Q-... versions | 6, 9 |
| 2 | Mounting SBAM-C6-CP Clamp fitting with dovetail slot | 18 |
| 3 | Mounting bracket SBAM-C6-A Mounting bracket 90°. Adjustment option with 2 levels | 18 |
| 4 | Swivel mounting SBAM-C6-A2 Clamp fitting with dovetail slot. Can be turned and rotated around 2 axes | 19 |
| 5 | Retainer SBAM-C7-A For ring light SBAL-C6-R-...-D | 19 |
| 6 | Ring light SBAL-C6-R-...-D Type of light: LED, diffuse. Colours white, red and infrared | 16 |
| 7 | Area light SBAL-C6-A-... Type of light: LED, clear. Colours white, red and infrared | 14 |

Vision sensors SBSI

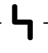

Type codes

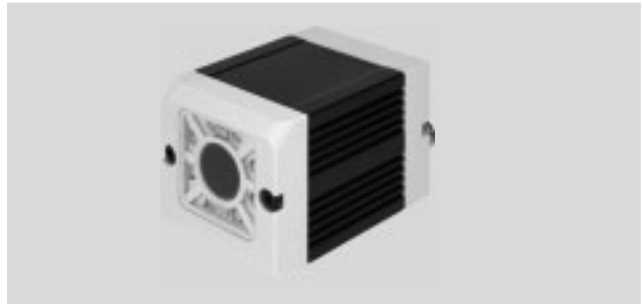
SBSI

| | | | | | | | | | | | | | |
|---|---|------|---|--|---|----|---|---|--|---|--|---|--|
| | | SBSI | - | | - | R3 | B | - | | - | | - | |
| Basic version | | | | | | | | | | | | | |
| SBSI | Vision sensor with integrated lighting/lens | | | | | | | | | | | | |
| Function | | | | | | | | | | | | | |
| B | Code reader | | | | | | | | | | | | |
| Q | Object sensor | | | | | | | | | | | | |
| Image sensor – Resolution | | | | | | | | | | | | | |
| R3 | 736 x 480 pixels (Wide VGA) | | | | | | | | | | | | |
| Image sensor – Monochrome/colour | | | | | | | | | | | | | |
| B | Monochrome | | | | | | | | | | | | |
| Integrated lens – Focal length | | | | | | | | | | | | | |
| F6 | 6 mm | | | | | | | | | | | | |
| F12 | 12 mm | | | | | | | | | | | | |
| Integrated lighting – Colour | | | | | | | | | | | | | |
| W | White | | | | | | | | | | | | |
| R | Red | | | | | | | | | | | | |
| NR | Infrared | | | | | | | | | | | | |
| Additional features | | | | | | | | | | | | | |
| | Without | | | | | | | | | | | | |
| D | Increased depth of field | | | | | | | | | | | | |

Vision sensors SBSI

Technical data – Code reader SBSI-B

-  Voltage
19.2 ... 30 V DC
-  Temperature range
0 ... +55 °C



| General technical data | | |
|--|-----------------------------|--------------------|
| Type | SBSI-B-R3B-F6-... | SBSI-B-R3B-F12-... |
| Sensor resolution | 736 x 480 pixels (Wide VGA) | |
| Sensor type | Monochrome | |
| Focus setting | With adjusting screw | |
| Lens mounting | Integrated lens | |
| Lighting type | Integrated | |
| Frame rate (full image) [fps] | 50 | |
| Max. number of test programs/jobs | 8 | |
| Focal length [mm] | 6 | 12 |
| Field of view [mm] | Min. 5 x 4 | Min. 8 x 6 |
| Working distance [mm] | 6 - infinite | 30 - infinite |
| Max. number of test criteria/detectors | 2 | |
| Function of detectors/characteristics | 2/5 Industrial | |
| | 2/5 Interleaved | |
| | Codabar | |
| | Code 128 | |
| | Code 39 | |
| | Code 93 | |
| | EAN | |
| | ECC200 | |
| | GS1 | |
| | PDF 417 | |
| | Pharmacode | |
| | QR code | |
| | RSS | |
| UPC | | |
| Typical cycle time [ms] | 1D barcode: 30 | |
| | 2D code: 40 | |
| Dimensions W x L x H [mm] | 45 x 45 x 76.7 | |
| Product weight [g] | 160 | |
| Information on housing materials | Anodised aluminium | |
| Information on cover materials | ABS reinforced | |
| Note on materials | RoHS compliant | |

Vision sensors SBSI

Technical data – Code reader SBSI-B

| Ethernet interface | |
|--|-------------------------------|
| Information on Ethernet, connection technology | M12 socket, 4-pin |
| Ethernet, transmission speed | 100 Mbit/s |
| Ethernet, supported protocols | TCP/IP, Ethernet/IP, FTP, SMB |

| Serial interface | |
|---|----------------------------|
| Serial interface, connection technology | Plug connector, M12, 5-pin |
| Type of serial interface | RS232/RS422 |

| Digital inputs, outputs and power supply | |
|---|--|
| Electrical connection | Plug connector, M12, 12-pin |
| Number of digital inputs | 2 |
| Number of digital outputs | 4 |
| Number of selectable digital inputs/outputs | 2 |
| Switching input | PNP/NPN (switchable) |
| Switching level [V] | Signal 0: ≤ 3 Signal 1: $\geq U_B - 1$ |
| Switching output | PNP/NPN, switchable |
| Max. output current [mA] | 50 |
| Protection against short circuit | For all electrical connections |
| Nominal operating voltage [V DC] | 24 |
| Permissible voltage fluctuations [%] | -25 ... +10 |
| Max. current consumption [mA] | 550 |
| Current consumption with load-free outputs [mA] | 200 |

| Operating and environmental conditions | |
|--|--|
| Ambient temperature [°C] | 0 ... +50 |
| Storage temperature [°C] | -20 ... +60 |
| Degree of protection | IP67 |
| Vibration resistance | DIN EN 60947-5-2 |
| Resistance to shocks | DIN EN 60947-5-2 |
| CE marking (see declaration of conformity) | To EU EMC Directive ²⁾ |
| Certification | c UL us - listed (OL) RCM trademark |

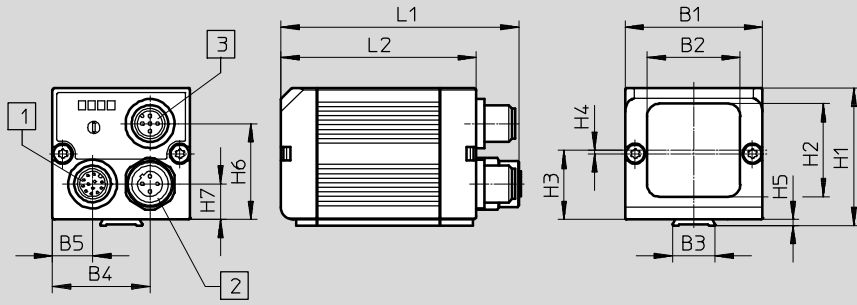
- 2) For information about the applicability of the component see the manufacturer's EC declaration of conformity at: www.festo.com/sp → User documentation.
If the component is subject to restrictions on usage in residential, office or commercial environments or small businesses, further measures to reduce the emitted interference may be necessary.

Vision sensors SBSI

Technical data – Code reader SBSI-B

Dimensions

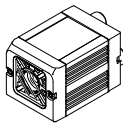
Download CAD data → www.festo.com



- 1 Plug connector M12, 12-pin
- 2 Socket M12, 4-pin
- 3 Plug connector M12, 5-pin

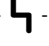

| Type | B1 | B2 | B3 | B4 | B5 | H1 | H2 | H3 | H4 | H5 | H6 | H7 | L1 | L2 |
|-------------------|----|------|----|------|------|----|------|------|-----|----|------|------|------|----|
| SBSI-B-R3B-F- ... | 45 | 30.5 | 14 | 31.9 | 13.1 | 45 | 30.5 | 22.7 | 1.2 | 2 | 31.4 | 11.6 | 76.7 | 64 |

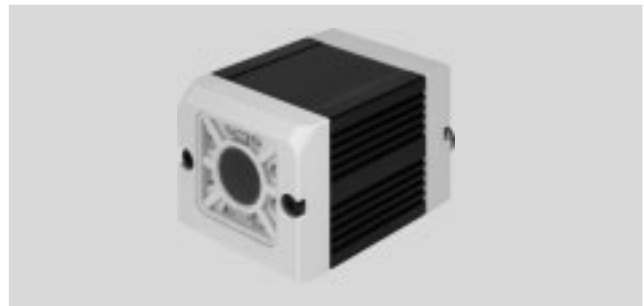
Ordering data

| Code reader | Integrated lens – Focal length [mm] | Additional features | Type of light: LED | Part No. | Type |
|---|-------------------------------------|--------------------------|--------------------|----------|---------------------|
|  | 6 | – | White | 2930232 | SBSI-B-R3B-F6-W |
| | 12 | – | White | 2930233 | SBSI-B-R3B-F12-W |
| | 6 | Increased depth of field | White | 2930242 | SBSI-B-R3B-F6-W-D |
| | 12 | Increased depth of field | White | 2930243 | SBSI-B-R3B-F12-W-D |
| | 6 | – | Red | 2930234 | SBSI-B-R3B-F6-R |
| | 12 | – | Red | 2930235 | SBSI-B-R3B-F12-R |
| | 6 | Increased depth of field | Red | 2930236 | SBSI-B-R3B-F6-R-D |
| | 12 | Increased depth of field | Red | 2930237 | SBSI-B-R3B-F12-R-D |
| | 6 | – | Infrared | 2930238 | SBSI-B-R3B-F6-NR |
| | 12 | – | Infrared | 2930239 | SBSI-B-R3B-F12-NR |
| | 6 | Increased depth of field | Infrared | 2930240 | SBSI-B-R3B-F6-NR-D |
| | 12 | Increased depth of field | Infrared | 2930241 | SBSI-B-R3B-F12-NR-D |

Vision sensors SBSI

Technical data – Object sensor SBSI-Q

-  Voltage
19.2 ... 30 V DC
-  Temperature range
0 ... +55 °C



| General technical data | | |
|--|-------------------------------|--------------------|
| Type | SBSI-Q-R3B-F6-... | SBSI-Q-R3B-F12-... |
| Sensor resolution | 736 x 480 pixels (Wide VGA) | |
| Sensor type | Monochrome | |
| Focus setting | With adjusting screw | |
| Lens mounting | Integrated lens | |
| Lighting type | Integrated | |
| Frame rate (full image) [fps] | 50 | |
| Max. number of test programs/jobs | 8 | |
| Focal length [mm] | 6 | 12 |
| Field of view [mm] | Min. 5 x 4 | Min. 8 x 6 |
| Working distance [mm] | 6 - infinite | 30 - infinite |
| Max. number of test criteria/detectors | 32 | |
| Function of detectors/characteristics | Grey value threshold | |
| | Brightness | |
| | Contrast | |
| | Contour matching | |
| | Position tracking via contour | |
| | Pattern matching | |
| Typical cycle time | | |
| Grey value threshold [ms] | 4 | |
| Brightness [ms] | 2 | |
| Contrast [ms] | 4 | |
| Contour matching [ms] | 30 | |
| Position tracking [ms] | 30 | |
| Pattern matching [ms] | 20 | |
| | | |
| Dimensions W x L x H [mm] | 45 x 45 x 76.7 | |
| Product weight [g] | 160 | |
| Information on housing materials | Anodised aluminium | |
| Information on cover materials | ABS reinforced | |
| Note on materials | RoHS compliant | |

Vision sensors SBSI

Technical data – Object sensor SBSI-Q

| Ethernet interface | |
|--|-------------------------------|
| Information on Ethernet, connection technology | M12 socket, 4-pin |
| Ethernet, transmission speed | 100 Mbit/s |
| Ethernet, supported protocols | TCP/IP, Ethernet/IP, FTP, SMB |

| Digital inputs/outputs and power supply | |
|---|--|
| Electrical connection | Plug connector, M12, 12-pin |
| Number of digital inputs | 2 |
| Number of digital outputs | 4 |
| Number of selectable digital inputs/outputs | 2 |
| Switching input | PNP/NPN (switchable) |
| Switching level [V] | Signal 0: ≤ 3 Signal 1: $\geq U_B - 1$ |
| Switching output | PNP/NPN, switchable |
| Max. output current [mA] | 50 |
| Protection against short circuit | For all electrical connections |
| Nominal operating voltage [V DC] | 24 |
| Permissible voltage fluctuations [%] | -25 ... +10 |
| Max. current consumption [mA] | 550 |
| Current consumption with load-free outputs [mA] | 200 |

| Operating and environmental conditions | |
|--|--|
| Ambient temperature [°C] | 0 ... +50 |
| Storage temperature [°C] | -20 ... +60 |
| Degree of protection | IP67 |
| Vibration resistance | DIN EN 60947-5-2 |
| Resistance to shocks | DIN EN 60947-5-2 |
| CE marking (see declaration of conformity) | To EU EMC Directive ²⁾ |
| Certification | c UL us - listed (OL) RCM trademark |

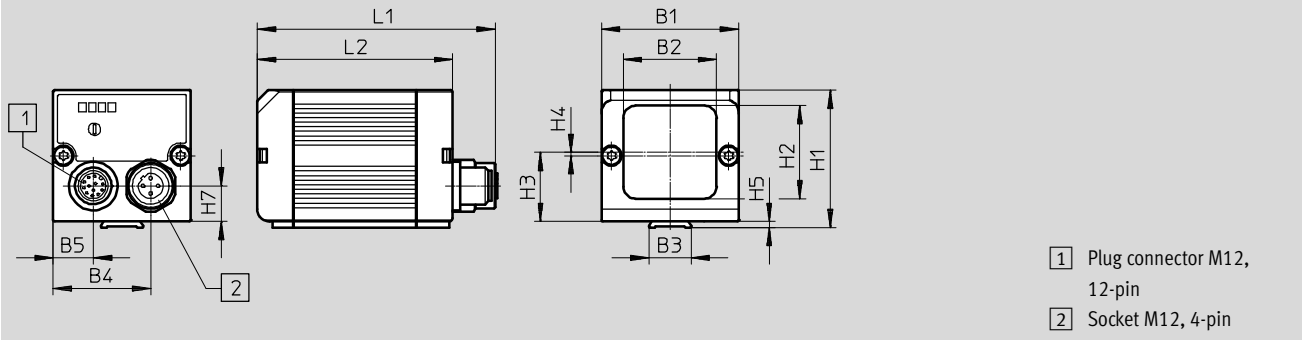
- 2) For information about the applicability of the component see the manufacturer's EC declaration of conformity at: www.festo.com/sp → User documentation.
If the component is subject to restrictions on usage in residential, office or commercial environments or small businesses, further measures to reduce the emitted interference may be necessary.

Vision sensors SBSI

Technical data – Object sensor SBSI-Q

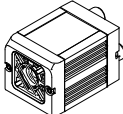
Dimensions

Download CAD data → www.festo.com



| Type | B1 | B2 | B3 | B4 | B5 | H1 | H2 | H3 | H4 | H5 | H7 | L1 | L2 |
|-------------------|----|------|----|------|------|----|------|------|-----|----|------|------|----|
| SBSI-Q-R3B-F- ... | 45 | 30.5 | 14 | 31.9 | 13.1 | 45 | 30.5 | 22.7 | 1.2 | 2 | 11.6 | 76.7 | 64 |

Ordering data

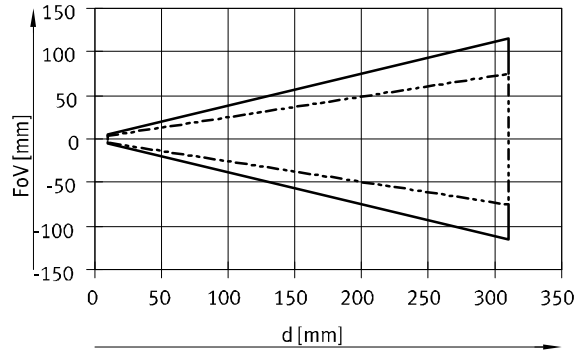
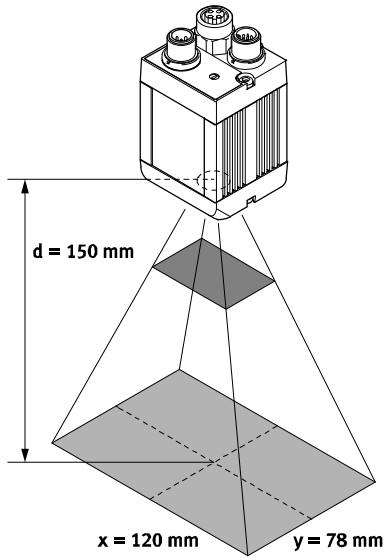
| | Focal length [mm] | Type of light: LED | Part No. | Type |
|--|-------------------|--------------------|----------|-------------------|
|  | 6 | White | 2942261 | SBSI-Q-R3B-F6-W |
| | 12 | White | 2942262 | SBSI-Q-R3B-F12-W |
| | 6 | Infrared | 2942265 | SBSI-Q-R3B-F6-NR |
| | 12 | Infrared | 2942266 | SBSI-Q-R3B-F12-NR |

Vision sensors SBSI

Technical data

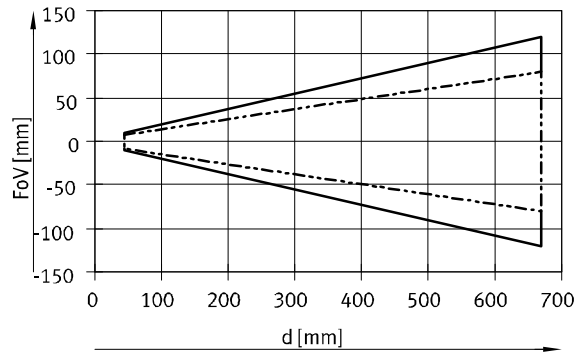
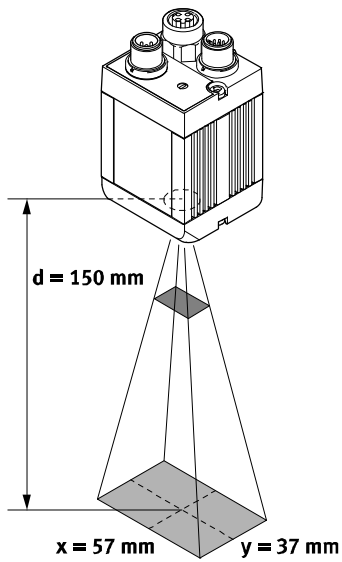
Integrated lenses – Fields of view

Field of view (6 mm focal length)



— X-axis
 - - - Y-axis
 d = Working distance
 FoV = Field of view

Field of view (12 mm focal length)



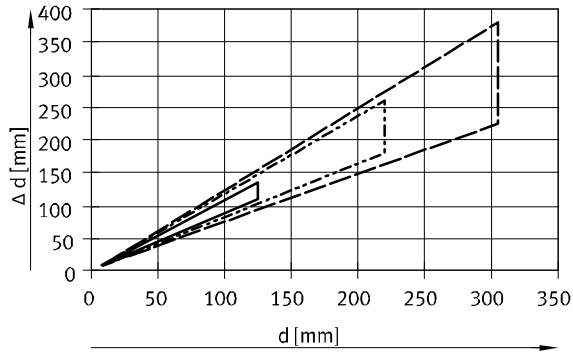
— X-axis
 - - - Y-axis
 d = Working distance
 FoV = Field of view

Vision sensors SBSI

Technical data

Approximate reading areas with respect to module size/bar width of codes

Normal depth of field (6 mm)



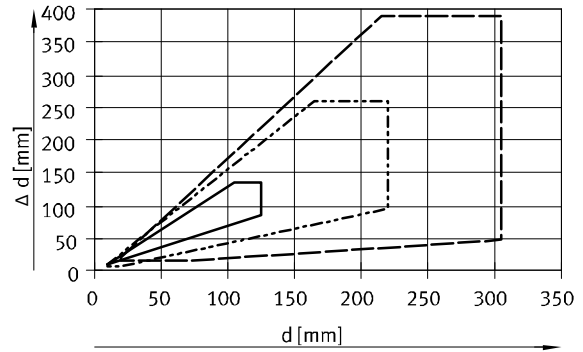
Module size/bar width of code:

- 0.25 mm
- - - 0.50 mm
- · - 0.75 mm

d = Working distance

Δ d = Depth of field

Increased depth of field (6 mm)



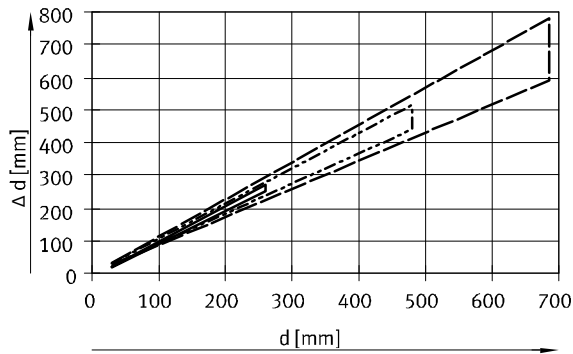
Module size/bar width of code:

- 0.25 mm
- - - 0.50 mm
- · - 0.75 mm

d = Working distance

Δ d = Depth of field

Normal depth of field (12 mm)



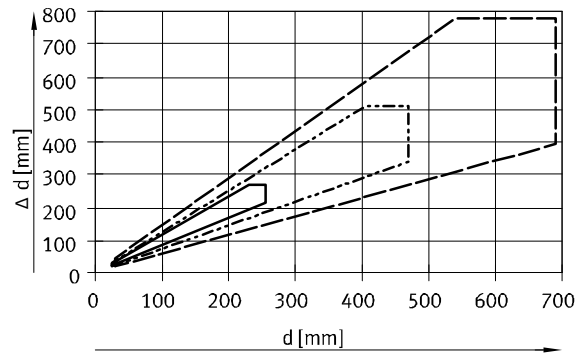
Module size/bar width of code:

- 0.25 mm
- - - 0.50 mm
- · - 0.75 mm

d = Working distance

Δ d = Depth of field

Increased depth of field (12 mm)



Module size/bar width of code:

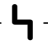

- 0.25 mm
- - - 0.50 mm
- · - 0.75 mm

d = Working distance

Δ d = Depth of field

Vision sensors SBSI

Accessories

-  Voltage
24 V DC
-  Temperature range
0 ... +50 °C



| General technical data | | | |
|---|--|-------------|--------------|
| Area light | SBAL-C6-A-W | SBAL-C6-A-R | SBAL-C6-A-NR |
| Lighting type | Area light | | |
| Type of light | LED, clear | | |
| | White | Red | Infrared |
| Type of mounting | Clamped in dovetail slot | | |
| | Via accessories | | |
| Working distance [mm] | 100 ... 300 | | |
| Electrical connection | 2 x M12, plug connector 12-pin | | |
| Maximum number of devices connectable in series (diagram) | 4 | | |
| Reverse polarity protection | For all electrical connections | | |
| Product weight [g] | 60 | | |
| Information on housing materials | ABS reinforced | | |
| Note on materials | RoHS compliant | | |
| RoHS status | RoHS compliant in accordance with EU Directive | | |

| Electrical data | | | |
|--|-------------------|-------------|--------------|
| | SBAL-C6-A-W | SBAL-C6-A-R | SBAL-C6-A-NR |
| Nominal operating voltage [V DC] | 24 | | |
| Permissible voltage fluctuations [%] | ±10 | | |
| Trigger level | Level 10 V ... UB | | |
| Residual ripple [%] | 10 | | |
| Current consumption during continuous operation [mA] | 80 | 80 | 90 |
| Current consumption during flash operation [mA] | 200 | 250 | 100 |

| Operating and environmental conditions | | | |
|--|-----------------------------------|-------------|--------------|
| | SBAL-C6-A-W | SBAL-C6-A-R | SBAL-C6-A-NR |
| CE marking (see declaration of conformity) | To EU EMC Directive ²⁾ | | |
| Ambient temperature during continuous operation [°C] | 0 ... +50 | | |
| Ambient temperature during flash operation [°C] | 0 ... +50 | | |
| Storage temperature [°C] | -20 ... +60 | | |
| Degree of protection | IP67 | | |
| Approval certificate | RCM trademark | | |

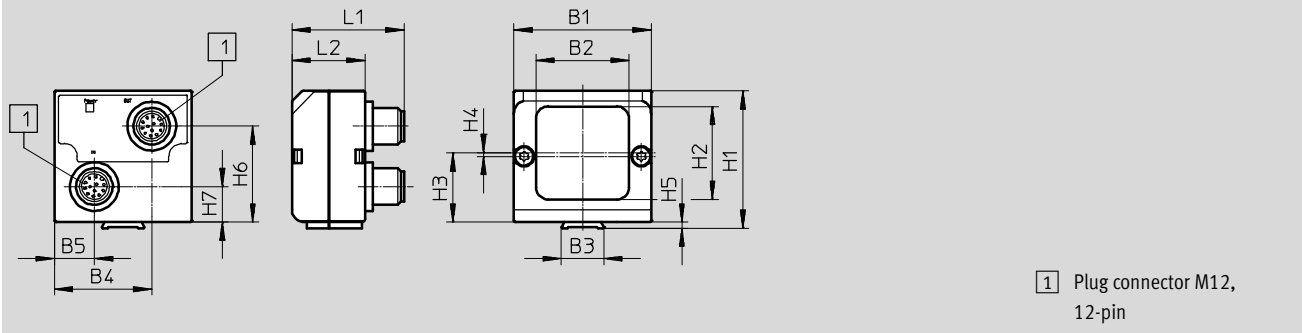
2) For information about the applicability of the component see the manufacturer's EC declaration of conformity at: www.festo.com/sp → User documentation.
If the component is subject to restrictions on usage in residential, office or commercial environments or small businesses, further measures to reduce the emitted interference may be necessary.

Vision sensors SBSI

Accessories


Dimensions

Download CAD data → www.festo.com



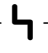

| Type | B1 | B2 | B3 | B4 | B5 | H1 | H2 | H3 | H4 | H5 | H6 | H7 | L1 | L2 |
|--------------|----|------|----|------|------|----|------|------|-----|----|------|------|------|----|
| SBAL-C6-A-W | 45 | 30.5 | 14 | 31.9 | 13.1 | 45 | 30.5 | 22.7 | 1.2 | 2 | 31.4 | 11.6 | 36.7 | 24 |
| SBAL-C6-A-R | | | | | | | | | | | | | | |
| SBAL-C6-A-NR | | | | | | | | | | | | | | |

Ordering data

| Type of light: LED, clear | | Part No. | Type |
|--|----------|----------------|---------------------|
|  | White | 8031158 | SBAL-C6-A-W |
| | Red | 8031159 | SBAL-C6-A-R |
| | Infrared | 8031160 | SBAL-C6-A-NR |

Vision sensors SBSI

Accessories

-  Voltage
24 V DC
-  Temperature range
0 ... +50 °C



| General technical data | | | |
|---|--|---------------|----------------|
| Ring light | SBAL-C6-R-W-D | SBAL-C6-R-R-D | SBAL-C6-R-NR-D |
| Lighting type | Ring light | | |
| Type of light | LED, diffuse | | |
| | White | Red | Infrared |
| Type of mounting | Via mounting bracket | | |
| Working distance [mm] | 100 ... 300 | | |
| Electrical connection | 2 x M12, plug connector 12-pin | | |
| Maximum number of devices connectable in series (diagram) | 2 | | |
| Reverse polarity protection | For all electrical connections | | |
| Product weight [g] | 150 | | |
| Information on housing materials | Anodised aluminium | | |
| Note on materials | RoHS compliant | | |
| RoHS status | RoHS compliant in accordance with EU Directive | | |

| Electrical data | | | |
|--|-------------------|---------------|----------------|
| | SBAL-C6-R-W-D | SBAL-C6-R-R-D | SBAL-C6-R-NR-D |
| Nominal operating voltage [V DC] | 24 | | |
| Permissible voltage fluctuations [%] | ±5 | | |
| Trigger level | Level 18 V ... UB | | |
| Residual ripple [%] | 5 | | |
| Current consumption during continuous operation [mA] | 390 | 290 | 390 |
| Current consumption during flash operation [mA] | 390 | 290 | 390 |

| Operating and environmental conditions | | | |
|--|-----------------------------------|---------------|----------------|
| | SBAL-C6-R-W-D | SBAL-C6-R-R-D | SBAL-C6-R-NR-D |
| CE marking (see declaration of conformity) | To EU EMC Directive ²⁾ | | |
| Ambient temperature during continuous operation [°C] | 0 ... +35 | | |
| Ambient temperature during flash operation [°C] | 0 ... +50 | | |
| Storage temperature [°C] | -20 ... +60 | | |
| Degree of protection | IP67 | | |
| Approval certificate | RCM trademark | | |

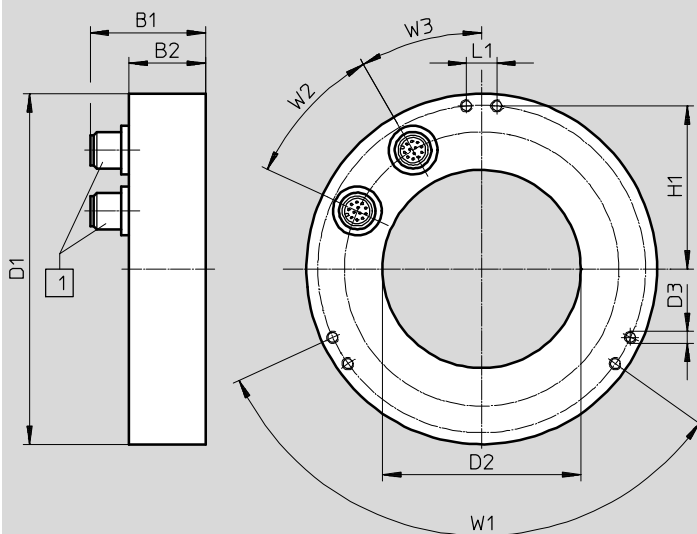
2) For information about the applicability of the component see the manufacturer's EC declaration of conformity at: www.festo.com/sp → User documentation.
If the component is subject to restrictions on usage in residential, office or commercial environments or small businesses, further measures to reduce the emitted interference may be necessary.

Vision sensors SBSI

Accessories

Dimensions


Download CAD data → www.festo.com



1 Plug connector M12, 12-pin

| Type | B1 | B2 | D1 | D2 | D3 | H1 | L1 | W1 | W2 | W3 |
|--------------|------|----|-----|----|----|------|----|------|-----|-----|
| SBAL-C6-R... | 37.7 | 25 | 115 | 65 | M4 | 53.5 | 10 | 120° | 35° | 30° |

Ordering data

| | Type of light: LED, diffuse | Part No. | Type |
|---|-----------------------------|----------|----------------|
|  | White | 8031161 | SBAL-C6-R-W-D |
| | Red | 8031162 | SBAL-C6-R-R-D |
| | Infrared | 8031163 | SBAL-C6-R-NR-D |

Vision sensors SBSI

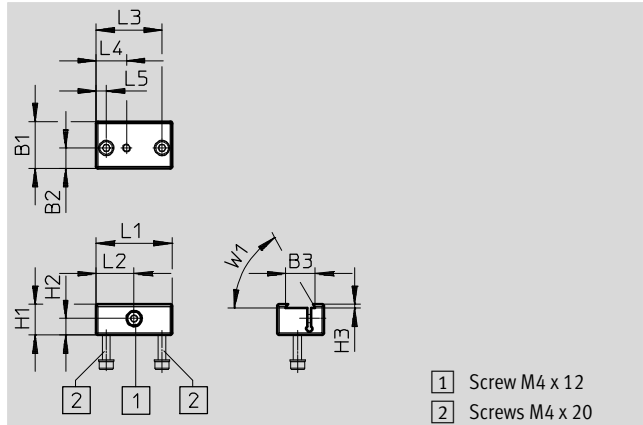
Accessories

Mounting

Type of mounting: with dovetail slot, with thread

Information on materials: anodised aluminium

Note on materials: RoHS compliant



| Dimensions [mm] and ordering data | | | | | | | | | | | | | | | Part No. | Type |
|-----------------------------------|----|------|----|----|-----|------|------|------|----|----|-----|------------|-------------------|----------------|-------------------|------|
| B1 | B2 | B3 | H1 | H2 | H3 | L1 | L2 | L3 | L4 | L5 | W1 | Weight [g] | CRC ¹⁾ | Part No. | Type | |
| 23 | 10 | 14.5 | 15 | 8 | 1.8 | 37.4 | 18.7 | 32.4 | 15 | 5 | 60° | 28 | 2 | 8031376 | SBAM-C6-CP | |

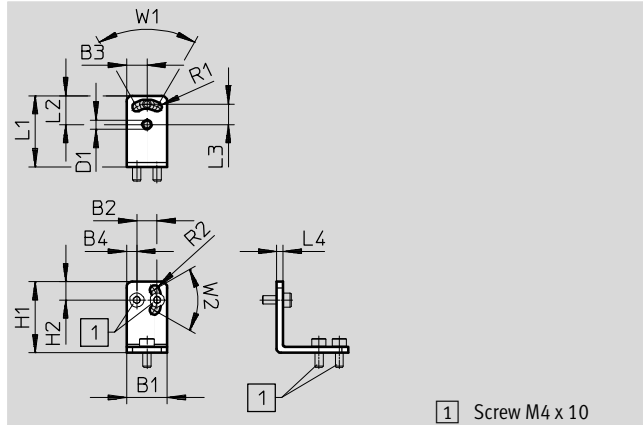
1) Corrosion resistance class CRC 2 to Festo standard FN 940070
Moderate corrosion stress. Indoor applications in which condensation may occur. External visible parts with primarily decorative requirements for the surface and which are in direct contact with the ambient atmosphere typical for industrial applications.

Mounting bracket

Type of mounting: with through-hole

Information on materials: high-alloy steel

Note on materials: RoHS compliant



| Dimensions [mm] and ordering data | | | | | | | | | | | | | | | | Part No. | Type | |
|-----------------------------------|----|----|----|-----|----|----|----|------|----|----|-----|-----|-----|-----|------------|-------------------|----------------|------------------|
| B1 | B2 | B3 | B4 | D1 | H1 | H2 | L1 | L2 | L3 | L4 | R1 | R2 | W1 | W2 | Weight [g] | CRC ¹⁾ | Part No. | Type |
| 20 | 10 | 10 | 5 | 4.5 | 35 | 9 | 35 | 14.3 | 10 | 3 | 2.3 | 2.3 | 60° | 60° | 27 | 2 | 8031377 | SBAM-C6-A |

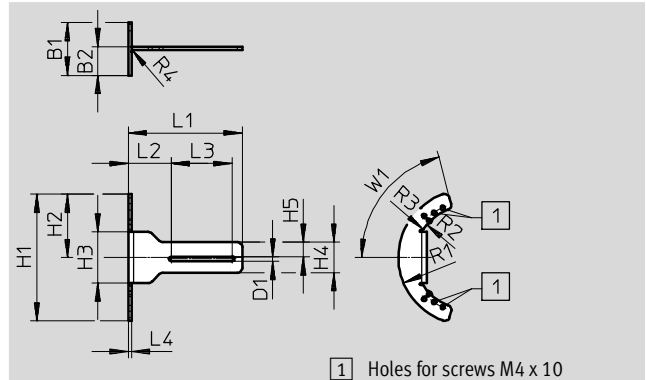
1) Corrosion resistance class CRC 2 to Festo standard FN 940070
Moderate corrosion stress. Indoor applications in which condensation may occur. External visible parts with primarily decorative requirements for the surface and which are in direct contact with the ambient atmosphere typical for industrial applications.

Vision sensors SBSI

Accessories

Mounting bracket

Type of mounting: with through-hole
 Information on materials: high-alloy steel
 Note on materials: RoHS compliant

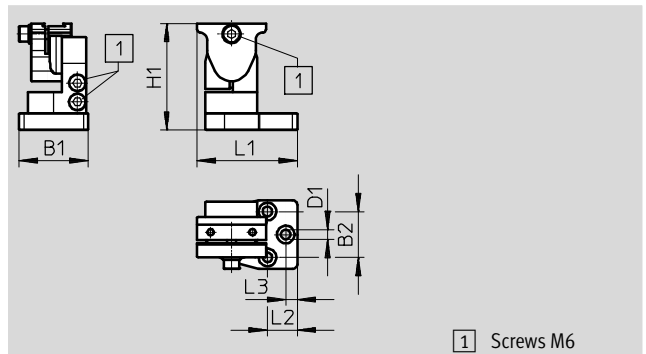


| Dimensions [mm] and ordering data | | | | | | | | | | |
|-----------------------------------|------|---------|-------|------|-----|------------|-------------------|----------------|------------------|----|
| B1 | B2 | D1 ∅ | H1 | H2 | H3 | H4 | H5 | L1 | L2 | L3 |
| 52 | 28.2 | 4.2 | 124.9 | 62.4 | 50 | 30 | 14.4 | 112 | 42.1 | 60 |
| L4 | R1 | R2 | R3 | R4 | W1 | Weight [g] | CRC ¹⁾ | Part No. | Type | |
| 3 | 66 | 50 | 2 | 2 | 75° | 147 | 2 | 8031379 | SBAM-C7-A | |

1) Corrosion resistance class CRC 2 to Festo standard FN 940070
 Moderate corrosion stress. Indoor applications in which condensation may occur. External visible parts with primarily decorative requirements for the surface and which are in direct contact with the ambient atmosphere typical for industrial applications.

Swivel mounting

Type of mounting: with dove-tail slot, with through-hole
 Information on materials: anodised aluminium
 Note on materials: RoHS compliant

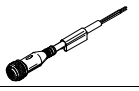
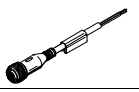
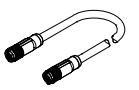
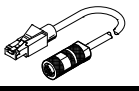


| Dimensions [mm] and ordering data | | | | | | | | | | |
|-----------------------------------|----|---------|----|------|------|-----|------------|-------------------|----------------|-------------------|
| B1 | B2 | D1 ∅ | H1 | L1 | L2 | L3 | Weight [g] | CRC ¹⁾ | Part No. | Type |
| 45 | 30 | 6.3 | 70 | 65.5 | 19.5 | 7.5 | 215 | 2 | 8031378 | SBAM-C6-A2 |

1) Corrosion resistance class CRC 2 to Festo standard FN 940070
 Moderate corrosion stress. Indoor applications in which condensation may occur. External visible parts with primarily decorative requirements for the surface and which are in direct contact with the ambient atmosphere typical for industrial applications.

Vision sensors SBSI

Accessories

| Ordering data | | | |
|---|---|----------------|-----------------------------------|
| | Description | Part No. | Type |
| Connecting cable Technical data → Internet: nebs | | | |
|  | Cable for power supply and digital I/Os (M12, 12-pin on open end); length 5 m or 10 m | 3058614 | NEBS-M12G12-KS-5-LE12 |
| | | 2912452 | NEBS-M12G12-KS-10-LE12 |
|  | Serial data cable (M12, 5-pin on open end); length 5 m or 10 m | 8030962 | NEBS-M12G5-KS-5-LE5 |
| | | 8030963 | NEBS-M12G5-KS-10-LE5 |
|  | Cable for connecting the external lights SBAL (M12, 12-pin on M12, 12-pin); length 0.5 m or 2 m | 3056124 | NEBS-M12G12-KS-0.5-SM12G12 |
| | | 3058527 | NEBS-M12G12-KS-2-SM12G12 |
| Connecting cable Technical data → Internet: nebc | | | |
|  | Ethernet cable (M12, 4-pin on RJ45); length 3 m or 10 m | 8031121 | NEBC-D12G4-KS-3-R3G4 |
| | | 8031122 | NEBC-D12G4-KS-10-R3G4 |