

Push-in fittings NPQP



Push-in fittings NPQP

Features

Application



Effortless selection of the right fitting. Quick Star offers a secure solution for every connection. The convenient push-in fitting system includes well over 1000 types of standard and function fittings.

Summary of tubing/fitting combinations			
Applications	Fitting	Tubing	Description
Standard	QS-B	PEN	Suitable for a wide range of tasks and attractively priced. Flexible thanks to highly resistant materials, easy to install thanks to optimised bending radii. High level of abrasion resistance in dynamic applications.
	QS	PUN	Maximum flexibility in standard applications thanks to an extremely wide range of options for combining the different types.
	QS	PAN	Meets all requirements, even for standard applications with increased pressure and temperature ranges.
High pressures	NPQM	PAN-MF	Meets DIN standard 73378: ideal for use in mobile pneumatics. Suitable for increased temperature ranges combined with high pressure ranges.
	NPQH	PAN-R	Powerful in pressure ranges up to 20 bar, for example in applications with the pressure booster DPA.
Resistant to chemicals, food safe and hydrolysis resistant	NPQP	PLN	Resistant to cleaning agents, FDA compliant and economical. Can be used instead of the combination with stainless steel fittings.
	NPKA	PUN-H	Hydrolysis resistant and suitable for water applications. Combination suitable for use in clean rooms, FDA compliant and corrosion resistant thanks to 100% polymer construction. Very easy to install thanks to the "one click principle".
	NPQH	PFAN	For high temperatures up to 150 °C. Suitable for use in the food industry, FDA compliant and resistant to cleaning agents.
	NPCK	PFAN	Easy to clean thanks to the union nut's edge-free design. Maximum resistance to corrosion (CRC 4) and FDA compliant. Suitable for a wide range of media.
	CRQS	PFAN	Maximum resistance to corrosion (CRC 4) and to aggressive acids and lyes.
Anti-static	NPQM	PUN-CM	Anti-static tubing plus solid metal fitting: maximum protection for electrical and electronic components.
Flame retardant	NPQM	PUN-V0	Very safe in areas where there is a risk of fire thanks to flame-retardant properties. The tubing has been tested to DIN 5510-2.
Resistant to welding spatter	NPQH	PUN-V0-C	Ideal for applications involving welding spatter. Reliable thanks to a tubing wall thickness of 2 mm for all diameters.
	QS-V0	PAN-V0	Safe even in the immediate vicinity of welding spatter thanks to the double-walled tubing with special fitting.

Push-in fittings NPQP

Features

Push-in fittings product range

QSM, Quick Star, Mini

Technical data → Internet: qsm



Miniature push-in fittings for maximum component density in confined spaces. For pneumatic applications with a temperature range up to 80 °C and a pressure range up to 14 bar. Tubing O.D.∅ of 2, 3, 4 and 6 mm with connecting threads M3, M5, M6, M7, R1/8 and G1/8.

QS, Quick Star, standard

Technical data → Internet: qs



Wide selection of push-in fittings for pneumatic applications with a temperature range up to 80 °C and a pressure range up to 14 bar. Tubing O.D.∅ of 4, 6, 8, 10, 12 and 16 mm with connecting threads R1/8 ... R1/2 and G1/8 ... G1/2.

QSM-B, Quick Star, Mini

Technical data → Internet: qsm-b



Miniature push-in fittings for maximum component density in confined spaces. For core pneumatic applications with a temperature range up to 60 °C and a pressure range up to 10 bar. Tubing O.D.∅ of 3, 4 and 6 mm with connecting threads M3, M5, M7 and R1/8.

QS-B, Quick Star, standard

Technical data → Internet: qs-b



Push-in fittings for core pneumatic applications with a temperature range up to 60 °C and a pressure range up to 10 bar. Tubing O.D.∅ of 4, 6, 8, 10, 12 and 16 mm with connecting threads M5 and R1/8 ... R1/2.

CRQS, Quick Star, stainless steel

Technical data → Internet: crqs



Stainless steel push-in fitting. High corrosion resistance (CRC4) and chemical resistance with approval for use in the food and packaging industry. For pneumatic applications with a temperature range up to 120 °C and a pressure range up to 10 bar. Tubing O.D.∅ of 4, 6, 8, 10, 12 and 16 mm with connecting threads M5 and R1/8 ... R1/2.

QS-V0, Quick Star, flame-retardant

Technical data → Internet: qs-v0



Flame-retardant push-in fitting for use in all areas where there is a risk of fire, for example welding systems in the automotive industry and in the construction industry. For pneumatic applications with a temperature range up to 60 °C and a pressure range up to 10 bar. Tubing O.D.∅ of 4, 6, 8, 10 and 12 mm with connecting threads R1/8 ... R1/2 and G1/8 ... G1/2.

Push-in fittings NPQP

Features

Push-in fittings product range

NPQH

Technical data → Internet: npqh



All metal push-in fitting made of chemically nickel-plated brass. High corrosion resistance (CRC3) and chemical resistance with approval for use in the food and packaging industry. For pneumatic applications with a temperature range up to 150 °C and a pressure range up to 20 bar. Tubing O.D.∅ of 4, 6, 8, 10, 12 and 14 mm with connecting threads M5, M7 and G1/8 ... G1/2 .

NPQM

Technical data → Internet: npqm



Attractively priced metal push-in fitting for pneumatic applications with a temperature range up to 70 °C and a pressure range up to 16 bar. Tubing O.D.∅ of 3, 4, 6, 8, 10, 12 and 14 mm with connecting threads M5, M7 and G1/8 ... G1/2 .

NPQP

Technical data → Internet: npqp



Polypropylene fitting for use in applications with extreme media influences. For pneumatic applications with a temperature range up to 60 °C and a pressure range up to 10 bar. Tubing O.D.∅ of 4, 6, 8, 10 and 12 mm with connecting threads R1/8 ... R1/2.

Functional push-in fittings product range

QSK, Quick Star, self-sealing push-in fitting

Technical data → Internet: qsk



Push-in fitting that blocks the air flow after the tubing is disconnected. For pneumatic applications with a temperature range up to 60 °C and a pressure range up to 14 bar. Tubing O.D.∅ of 4, 6, 8, 10 and 12 mm with connecting threads M5, R1/8 ... R1/2 and G1/8 ... G1/2.

QSR, Quick Star, rotary push-in fitting

Technical data → Internet: qsr



Push-in fitting with swivel connection, rotatable by 360°. The ball bearing enables rotating movements in the application up to max. 500 rpm. For pneumatic applications with a temperature range up to 60 °C and a pressure range up to 14 bar. Tubing O.D.∅ of 4, 6, 8, 10 and 12 mm with connecting threads M5, R1/8 ... R1/2 and G1/8 ... G1/2.

Quick connectors product range

NPCK

Technical data → Internet: npck



Stainless steel fitting for use in areas subject to intensive cleaning. Highest level of corrosion resistance (CRC 4). For pneumatic applications with a temperature range up to 120 °C and a pressure range up to 12 bar. Tubing O.D. 6 mm with connecting thread G1/8.

Click fittings product range

NPKA

Technical data → Internet: npka



Plastic fitting for easy installation with one-hand operation. Hydrolysis resistant, FDA compliant and easy to clean. For pneumatic applications with a temperature range up to 60 °C and a pressure range up to 10 bar. Tubing O.D. 6 mm with connecting thread G1/8.

Push-in fittings NPQ

Technical data

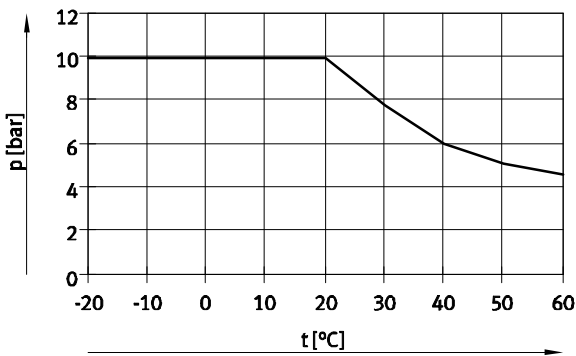
General technical data	
Size	Standard
Design	Push-pull principle

Operating and environmental conditions	
Temperature-dependent operating pressure [bar]	-0.95 ... +10
Operating medium	Compressed air in accordance with ISO 8573-1:2010 [7:--]
Note on operating/pilot medium	Operation with lubricated medium possible
Ambient temperature [°C]	-20 ... +60 Extended temperature range on request
Corrosion resistance class CRC ¹⁾	4
Suitable for use in the food industry	As per manufacturer's declaration ²⁾

- 1) CRC4: Corrosion resistance class to Festo standard 940 070
Components with very heavy corrosion exposure. Components in contact with aggressive media, e.g. in food or chemical industries. These applications must, if necessary, be verified by special tests with the media concerned.
- 2) Additional information www.festo.com/sp → User documentation.

Materials	
Housing	PP
Tube retaining claw	High-alloy stainless steel
Note on materials	RoHS-compliant Contains PWIS (paint-wetting impairment substances)

Operating pressure p as a function of temperature t



 Note





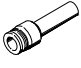
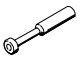



Leaks can occur with large temperature fluctuations due to the high expansion coefficient of polypropylene in combination with the R thread.

To avoid this it is recommended to seal the thread with Loctite® 55 pipe sealing cord.

Loctite® is a registered trademark of the respective trademark owners in certain countries.




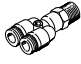
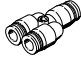
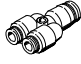
Push-in fittings NPQP

Product range overview

Design	Version	Type	Connection D1			Connection D2		→ Page/ Internet
			R thread	Tubing O.D.	Push-in sleeve ∅	Tubing O.D.	Push-in sleeve ∅	
Inline	Push-in fitting – Male thread with external hex							
		NPQP-D	R $\frac{1}{8}$	–	–	4, 6, 8	–	8
			R $\frac{1}{4}$			4, 6, 8, 10		
			R $\frac{3}{8}$			10, 12		
			R $\frac{1}{2}$			12		
	Push-in connector							
		NPQP-D	–	–	–	4	–	9
			4			6		
			6			8		
			8			10		
			10			12		
		NPQP-D reducing	–	–	–	4	–	9
6			6					
8			8					
10			10					
Push-in bulkhead connector								
	NPQP-H	–	–	–	4	–	10	
		4			6			
		6			8			
		8			10			
		10			12			
Push-in connector with push-in sleeve								
	NPQP-D-...-S	–	–	–	–	–	6, 8	
		4			8, 10			
		6			10, 12			
		8			12			
Blanking plug								
	NPQP-P	–	–	–	4	–	11	
		4			6			
		6			8			
		8			10			
		10			12			
L-shape	Push-in L-fitting – Male thread with external hex							
		NPQP-L	R $\frac{1}{8}$	–	–	4, 6, 8	–	12
			R $\frac{1}{4}$			4, 6, 8, 10		
			R $\frac{3}{8}$			10, 12		
			R $\frac{1}{2}$			12		
	Push-in L-fitting – Male thread with external hex							
		NPQP-LQ	R $\frac{1}{8}$	–	–	4, 6, 8	–	12
			R $\frac{1}{4}$			4, 6, 8, 10		
			R $\frac{3}{8}$			10, 12		
			R $\frac{1}{2}$			12		
	Push-in L-connector							
		NPQP-L	–	–	–	4	–	13
4			6					
6			8					
8			10					
10			12					

Push-in fittings NPQP

Product range overview

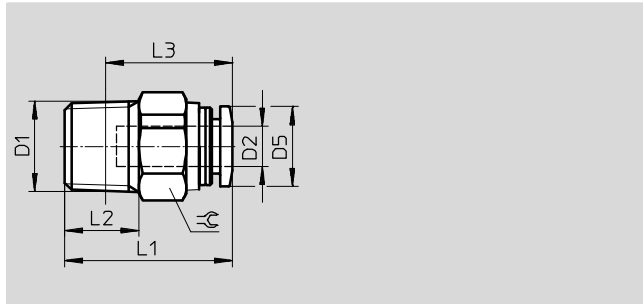
Design	Version	Type	Connection D1			Connection D2		→ Page/ Internet	
			R thread	Tubing O.D.	Push-in sleeve ∅	Tubing O.D.	Push-in sleeve ∅		
T-shape	Push-in T-fitting – Male thread with external hex								
		NPQP-T	R1/8	–	–	4, 6, 8	–	14	
			R1/4			4, 6, 8, 10			
			R3/8			10, 12			
			R1/2			12			
	Push-in T-connector								
		NPQP-T	–	–	4	–	4	–	15
					6		6		
					8		8		
					10		10		
12					12				
	NPQP-T reducing	–	–	6	–	4	–	15	
				8		6			
				10		8			
				12		10			
Y-shape	Push-in Y-fitting – Male thread with external hex								
		NPQP-Y	R1/8	–	–	4, 6, 8	–	16	
			R1/4			4, 6, 8, 10			
			R3/8			10, 12			
			R1/2			12			
	Push-in Y-connector								
		NPQP-Y	–	–	4	–	4	–	17
					6		6		
					8		8		
					10		10		
12					12				
	NPQP-Y reducing	–	–	6	–	4	–	17	
				8		6			
				10		8			
				12		10			

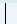
Push-in fittings NPQP

Technical data

Push-in fitting NPQP-D

Male thread
with external hex



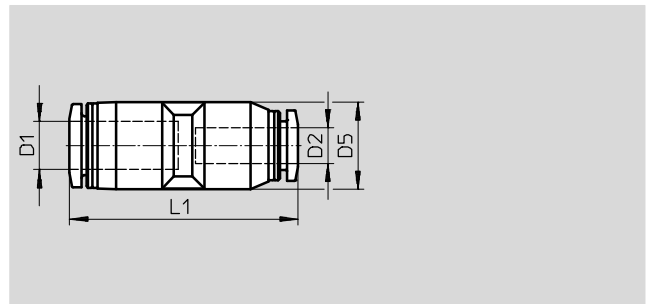
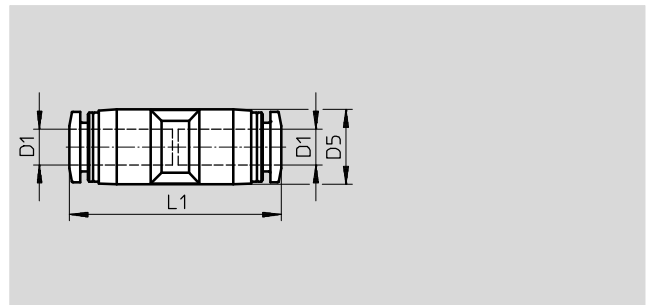
Dimensions and ordering data											
Connection	Nominal size	Tubing O.D.	D5	L1	L2	L3		Weight/piece	Part No.	Type	PU ¹⁾
D1	[mm]	D2						[g]			
R ¹ / ₈	2.1	4	9.9	21.1	8	17.1	12	2.5	133041	NPQP-D-R18-Q4-FD-P10	10
	3.4	6	11.8	22.8	8	18.8	14	3.0	133043	NPQP-D-R18-Q6-FD-P10	10
	5.3	8	13.8	27.9	8	23.9	17	4.5	133045	NPQP-D-R18-Q8-FD-P10	10
R ¹ / ₄	2.1	4	9.9	22.3	11	16.3	14	3.5	133042	NPQP-D-R14-Q4-FD-P10	10
	3.4	6	11.8	24.8	11	18.8	14	3.5	133044	NPQP-D-R14-Q6-FD-P10	10
	5.3	8	13.8	26.6	11	20.6	17	4.5	133046	NPQP-D-R14-Q8-FD-P10	10
	6.2	10	16.8	32.6	11	26.6	19	7.0	133047	NPQP-D-R14-Q10-FD-P10	10
R ³ / ₈	6.2	10	16.8	33.6	12	27.3	19	8.0	133048	NPQP-D-R38-Q10-FD-P10	10
	7.2	12	19.8	37.6	12	31.3	22	12.0	133049	NPQP-D-R38-Q12-FD-P10	10
R ¹ / ₂	7.2	12	19.8	34.1	15	25.9	22	12.0	133050	NPQP-D-R12-Q12-FD	1

1) Packaging unit

Push-in fittings NPQP

Technical data

Push-in connector NPQD-D



Reducing

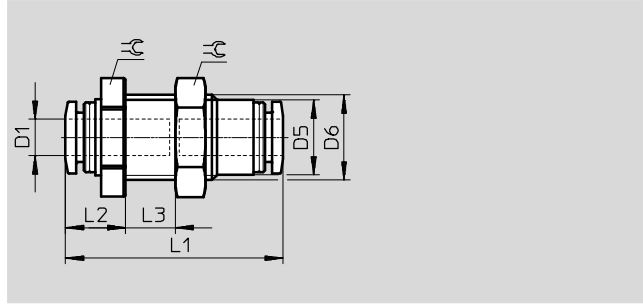
Dimensions and ordering data								
Tubing O.D. D1	Nominal size [mm]	Tubing O.D. D2	D5 Ø	L1	Weight/piece [g]	Part No.	Type	PU ¹⁾
4	2.6	–	10.0	31.0	4.0	133091	NPQP-D-Q4-E-FD-P10	10
6	4.0	–	12.5	35.2	5.5	133092	NPQP-D-Q6-E-FD-P10	10
8	5.0	–	14.5	37.8	8.0	133093	NPQP-D-Q8-E-FD-P10	10
10	6.7	–	17.5	43.8	13.0	133094	NPQP-D-Q10-E-FD-P10	10
12	8.7	–	21.0	48.2	19.0	133095	NPQP-D-Q12-E-FD-P10	10
Reducing								
6	2.6	4	12.5	34.6	5.5	133096	NPQP-D-Q6-Q4-FD-P10	10
8	4.0	6	14.5	38.0	7.0	133097	NPQP-D-Q8-Q6-FD-P10	10
10	5.0	8	17.5	43.3	12.0	133098	NPQP-D-Q10-Q8-FD-P10	10
12	6.7	10	21.0	48.0	18.0	133099	NPQP-D-Q12-Q10-FD-P10	10

1) Packaging unit

Push-in fittings NPQP

Technical data

Push-in bulkhead connector NPQP-H

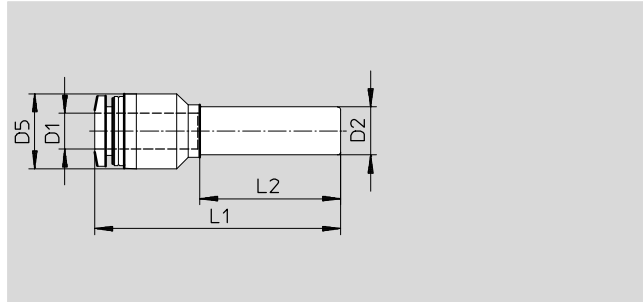


Dimensions and ordering data											
Tubing O.D.	Nominal size	D5	D6	L1	L2	L3	⌀	Weight/piece	Part No.	Type	PU ¹⁾
D1	[mm]	∅				max.		[g]			
4	2.3	10	M12x1.5	31.6	9.3	6.5	14	7.2	133100	NPQP-H-Q4-E-FD	1
6	3.7	12.3	M14x1.5	35.8	9.9	9.5	17	10.2	133101	NPQP-H-Q6-E-FD	1
8	4.9	14.2	M16x1.5	38.4	10.7	9	19	14.3	133102	NPQP-H-Q8-E-FD	1
10	7.1	17.5	M20x2	43.4	13.2	12	24	24.4	133103	NPQP-H-Q10-E-FD	1
12	7.8	21	M24x2	48.8	13.4	14	27	30.4	133104	NPQP-H-Q12-E-FD	1

1) Packaging unit

Push-in connector NPQP-D

with push-in sleeve



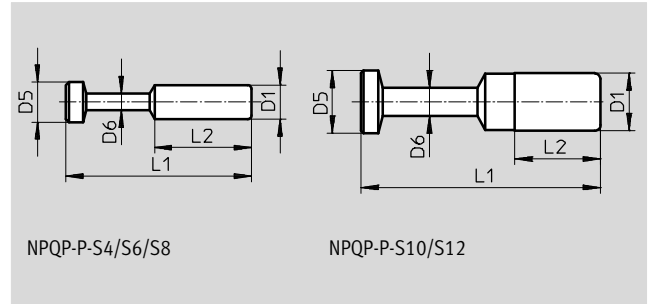
Dimensions and ordering data											
Tubing O.D.	Nominal size	Push-in sleeve ∅	D5	L1	L2	Weight/piece	Part No.	Type	PU ¹⁾		
D1	[mm]	D2	∅			[g]					
4	2.5	6	10.0	37.8	22.3	2.4	133133	NPQP-D-Q4-S6-FD-P10	10		
	2.4	8	12.5	40.3	23.3	3.0	133134	NPQP-D-Q4-S8-FD-P10	10		
6	3.8	8	12.5	40.9	23.3	3.2	133135	NPQP-D-Q6-S8-FD-P10	10		
	3.8	10	12.5	43.9	28.3	3.6	133136	NPQP-D-Q6-S10-FD-P10	10		
8	5.4	10	14.5	43.7	24.8	4.7	133137	NPQP-D-Q8-S10-FD-P10	10		
	5.4	12	14.5	49.7	33.5	5.4	133138	NPQP-D-Q8-S12-FD-P10	10		
10	6.3	12	17.5	50.2	28.8	7.9	133139	NPQP-D-Q10-S12-FD-P10	10		

1) Packaging unit

Push-in fittings NPQP

Technical data

Blanking plug NPQP-P



Dimensions and ordering data								
Push-in sleeve Ø D1	D5 Ø	D6 Ø	L1	L2	Weight/piece [g]	Part No.	Type	PU ¹⁾
4	5	3	27.5	15.0	0.5	133128	NPQP-P-S4-FD-P10	10
6	7	3	32.5	17.0	0.5	133129	NPQP-P-S6-FD-P10	10
8	9	4	36.5	18.1	1.0	133130	NPQP-P-S8-FD-P10	10
10	11	5	42.0	20.2	2.0	133131	NPQP-P-S10-FD-P10	10
12	13	6	44.0	23.4	2.5	133132	NPQP-P-S12-FD-P10	10

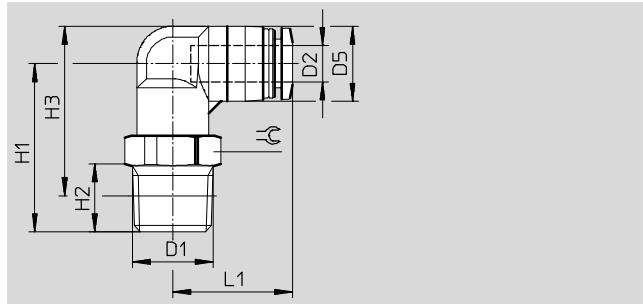
1) Packaging unit

Push-in fittings NPQP

Technical data

Push-in L-fitting NPQP-L

Male thread
with external hex

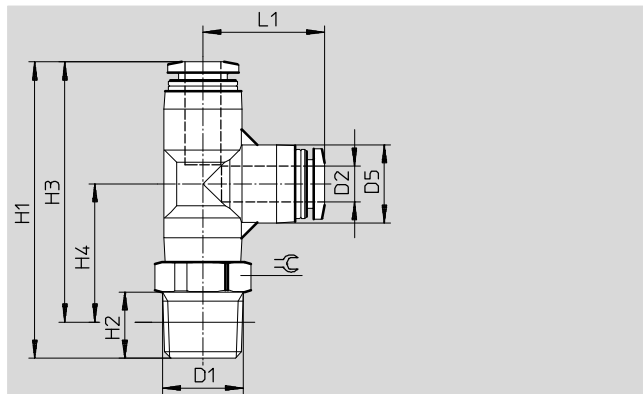


Dimensions and ordering data												
Connection	Nominal size	Tubing O.D.	D5	H1	H2	H3	L1	⌀	Weight/piece	Part No.	Type	PU ¹⁾
D1	[mm]	D2							[g]			
R ¹ / ₈	2.1	4	10.0	23.3	8	24.3	18.1	10	4.0	133051	NPQP-L-R18-Q4-FD-P10	10
	3.3	6	12.5	25.0	8	27.3	19.9	12	5.0	133053	NPQP-L-R18-Q6-FD-P10	10
	4.7	8	14.5	28.0	8	31.3	22.7	14	7.0	133055	NPQP-L-R18-Q8-FD-P10	10
R ¹ / ₄	2.1	4	10.0	26.3	11	25.3	18.1	14	4.5	133052	NPQP-L-R14-Q4-FD-P10	10
	3.3	6	12.5	28.0	11	28.2	19.9	14	5.5	133054	NPQP-L-R14-Q6-FD-P10	10
	4.7	8	14.5	31.0	11	32.2	22.7	14	7.5	133056	NPQP-L-R14-Q8-FD-P10	10
	5.7	10	17.5	36.0	11	38.7	26.4	17	12.0	133057	NPQP-L-R14-Q10-FD-P10	10
R ³ / ₈	5.7	10	17.5	37.0	12	39.4	26.4	17	13.0	133058	NPQP-L-R38-Q10-FD-P10	10
	6.9	12	21.0	39.0	12	43.2	29.6	22	18.0	133059	NPQP-L-R38-Q12-FD-P10	10
R ¹ / ₂	6.9	12	21.0	42.0	15	44.3	29.6	22	19.0	133060	NPQP-L-R12-Q12-FD	1

1) Packaging unit

Push-in L-fitting NPQP-LQ

Male thread
with external hex



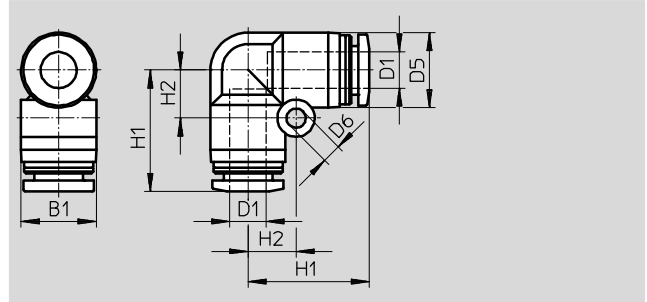
Dimensions and ordering data													
Connection	Nominal size	Tubing O.D.	D5	H1	H2	H3	H4	L1	⌀	Weight/piece	Part No.	Type	PU ¹⁾
D1	[mm]	D2								[g]			
R ¹ / ₈	2.0	4	10.0	40.2	8	36.2	19.2	17.0	10	6.0	133061	NPQP-LQ-R18-Q4-FD-P10	10
	3.3	6	13.0	46.3	8	42.3	22.0	20.2	12	8.0	133063	NPQP-LQ-R18-Q6-FD-P10	10
	4.8	8	15.0	50.4	8	46.4	24.2	22.2	14	11.0	133065	NPQP-LQ-R18-Q8-FD-P10	10
R ¹ / ₄	2.0	4	10.0	43.2	11	37.2	20.2	17.0	14	6.5	133062	NPQP-LQ-R14-Q4-FD-P10	10
	3.3	6	13.0	49.3	11	43.3	23.0	20.2	14	8.5	133064	NPQP-LQ-R14-Q6-FD-P10	10
	4.8	8	15.0	53.4	11	47.4	25.2	22.2	14	12.0	133066	NPQP-LQ-R14-Q8-FD-P10	10
	5.8	10	17.5	61.4	11	55.4	30.0	25.4	17	18.0	133067	NPQP-LQ-R14-Q10-FD-P10	10
R ³ / ₈	5.8	10	17.5	62.4	12	56.1	30.7	25.4	17	19.0	133068	NPQP-LQ-R38-Q10-FD-P10	10
	6.9	12	21.0	67.8	12	61.5	32.9	28.4	22	26.0	133069	NPQP-LQ-R38-Q12-FD-P10	10
R ¹ / ₂	6.9	12	21.0	70.8	15	62.6	34.0	28.4	22	28.0	133070	NPQP-LQ-R12-Q12-FD	1

1) Packaging unit

Push-in fittings NPQP

Technical data

Push-in L-connector NPQP-L



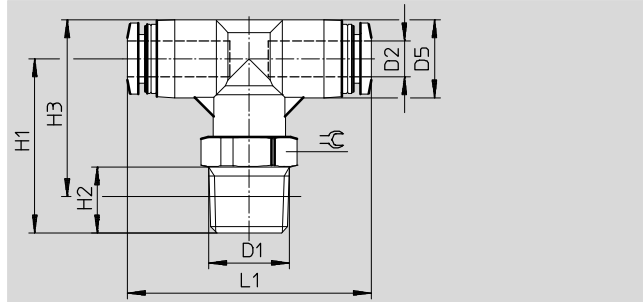
Dimensions and ordering data											
Tubing O.D.	Nominal size [mm]	Tubing O.D.	D5 ∅	D6	B1	H1	H2	Weight/piece [g]	Part No.	Type	PU ¹⁾
D1		D1									
4	2.3	4	10.0	3.2	10.0	17.0	6.5	4.5	133105	NPQP-L-Q4-E-FD-P10	10
6	3.6	6	12.5	3.2	12.5	20.2	8.0	6.0	133106	NPQP-L-Q6-E-FD-P10	10
8	4.6	8	15.0	4.2	15.6	22.4	10.0	9.0	133107	NPQP-L-Q8-E-FD-P10	10
10	6.2	10	17.5	4.2	18.2	26.4	12.0	14.0	133108	NPQP-L-Q10-E-FD-P10	10
12	7.7	12	21.0	4.2	21.7	29.6	14.0	20.0	133109	NPQP-L-Q12-E-FD-P10	10


1) Packaging unit

Push-in fittings NPQP

Technical data

Push-in T-fitting NPQP-T



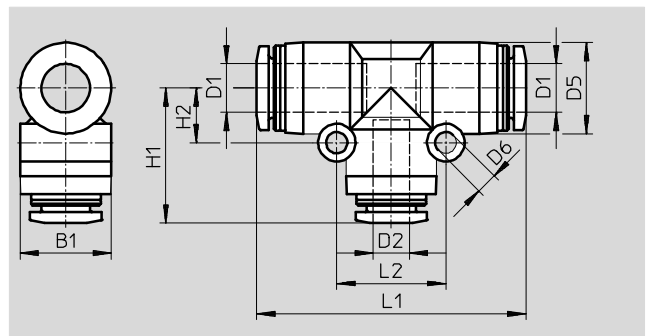
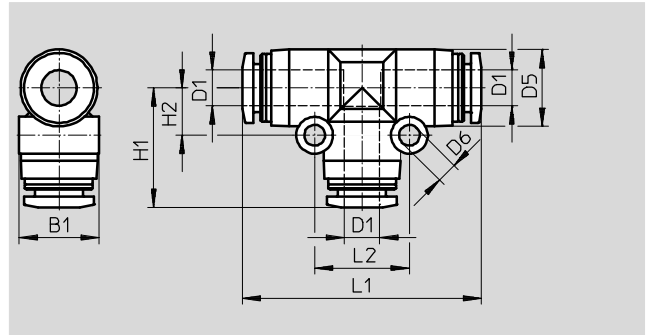
Dimensions and ordering data													
Connection	Nominal size [mm]	Tubing O.D. D2	D5	H1	H2	H3	L1		Weight/ piece [g]	Part No.	Type	PU ¹⁾	
R ¹ / ₈	2.0	4	10.0	23.2	8	24.2	34.0	10	6.0	133071	NPQP-T-R18-Q4-FD-P10	10	
	3.2	6	13.0	26.0	8	28.5	40.6	12	8.0	133073	NPQP-T-R18-Q6-FD-P10	10	
	4.7	8	15.0	26.3	8	29.8	44.8	14	11.0	133075	NPQP-T-R18-Q8-FD-P10	10	
R ¹ / ₄	2.0	4	10.0	26.2	11	25.2	34.0	14	6.5	133072	NPQP-T-R14-Q4-FD-P10	10	
	3.2	6	13.0	29.0	11	29.5	40.6	14	8.5	133074	NPQP-T-R14-Q6-FD-P10	10	
	4.7	8	15.0	29.3	11	30.8	44.8	14	12.0	133076	NPQP-T-R14-Q8-FD-P10	10	
	5.8	10	17.5	36.0	11	38.7	50.8	17	18.0	133077	NPQP-T-R14-Q10-FD-P10	10	
R ³ / ₈	5.8	10	17.5	37.0	12	39.4	50.8	17	19.0	133078	NPQP-T-R38-Q10-FD-P10	10	
	6.9	12	21.0	39.0	12	43.2	57.2	22	26.0	133079	NPQP-T-R38-Q12-FD-P10	10	
R ¹ / ₂	6.9	12	21.0	42.0	15	44.3	57.2	22	28.0	133080	NPQP-T-R12-Q12-FD	1	

1) Packaging unit

Push-in fittings NPQP

Technical data

Push-in T-connector NPQP-T



Reducing

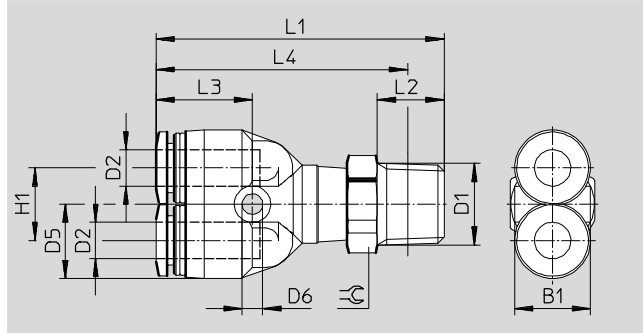
Dimensions and ordering data													
Tubing O.D.	Nominal size	Tubing O.D.	D5	D6	B1	H1	H2	L1	L2	Weight/ piece	Part No.	Type	PU ¹⁾
D1	[mm]	D2	∅							[g]			
4	2.6	–	10.0	3.2	10.4	17.3	6.5	34.6	13.0	6.5	133110	NPQP-T-Q4-E-FD-P10	10
6	4.0	–	13.0	3.2	13.5	20.2	8.0	40.4	16.0	9.0	133111	NPQP-T-Q6-E-FD-P10	10
8	5.0	–	15.0	3.2	15.6	22.2	9.0	44.4	18.0	13.0	133112	NPQP-T-Q8-E-FD-P10	10
10	6.7	–	17.5	4.2	18.2	25.4	12.0	50.8	24.0	21.0	133113	NPQP-T-Q10-E-FD-P10	10
12	8.7	–	21.0	4.2	21.7	28.4	14.0	57.2	28.0	30.0	133114	NPQP-T-Q12-E-FD-P10	10
Reducing													
6	2.3	4	13.0	3.2	13.5	19.6	8.0	40.4	16.0	9.0	133115	NPQP-T-Q6-Q4-FD-P10	10
8	3.6	6	15.0	3.2	15.6	22.4	9.0	44.4	18.0	12.0	133116	NPQP-T-Q8-Q6-FD-P10	10
10	5.0	8	17.5	4.2	18.2	24.9	12.0	50.8	24.0	19.5	133117	NPQP-T-Q10-Q8-FD-P10	10
12	6.4	10	21.0	4.2	21.7	28.2	14.0	57.2	28.0	28.0	133118	NPQP-T-Q12-Q10-FD-P10	10

1) Packaging unit

Push-in fittings NPQP

Technical data

Push-in Y-fitting NPQP-Y



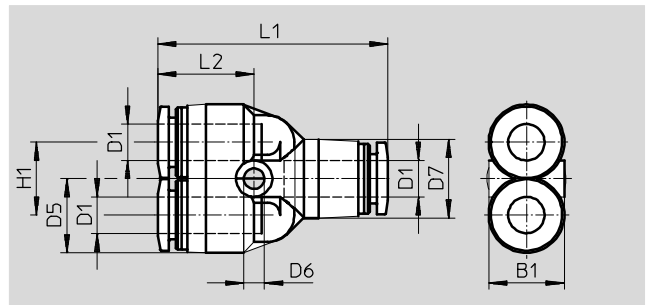
Dimensions and ordering data															
Connection	Nominal size [mm]	Tubing O.D.	D5	D6	B1	H1	L1	L2	L3	L4	$\approx \text{C}$	Weight/ piece [g]	Part No.	Type	PU ¹⁾
D1	D2														
R thread															
R $\frac{1}{8}$	2.0	4	10.0	3.2	10.4	11	40.7	8	14.2	36.7	10	6.5	133081	NPQP-Y-R18-Q4-FD-P10	10
	2.8	6	12.5	3.4	13.5	12	44.5	8	15.9	40.5	12	8.0	133083	NPQP-Y-R18-Q6-FD-P10	10
	4.5	8	14.5	3.4	14.5	14	48.7	8	17.2	44.7	14	12.0	133085	NPQP-Y-R18-Q8-FD-P10	10
R $\frac{1}{4}$	2.0	4	10.0	3.2	10.4	11	43.7	11	14.2	37.7	14	7.0	133082	NPQP-Y-R14-Q4-FD-P10	10
	2.8	6	12.5	3.4	13.5	12	47.5	11	15.9	41.5	14	8.5	133084	NPQP-Y-R14-Q6-FD-P10	10
	4.5	8	14.5	3.4	14.5	14	51.7	11	17.2	45.7	14	12.0	133086	NPQP-Y-R14-Q8-FD-P10	10
	5.3	10	18.0	4.5	18.0	18	58.5	11	19.7	52.5	17	20.0	133087	NPQP-Y-R14-Q10-FD-P10	10
R $\frac{3}{8}$	5.3	10	18.0	4.5	18.0	18	59.5	12	19.7	53.2	17	21.0	133088	NPQP-Y-R38-Q10-FD-P10	10
	6.2	12	21.0	4.2	21.0	20	64.7	12	22.4	58.4	22	28.0	133089	NPQP-Y-R38-Q12-FD-P10	10
R $\frac{1}{2}$	6.2	12	21.0	4.2	21.0	20	67.7	15	22.4	59.5	22	30.0	133090	NPQP-Y-R12-Q12-FD	1

1) Packaging unit

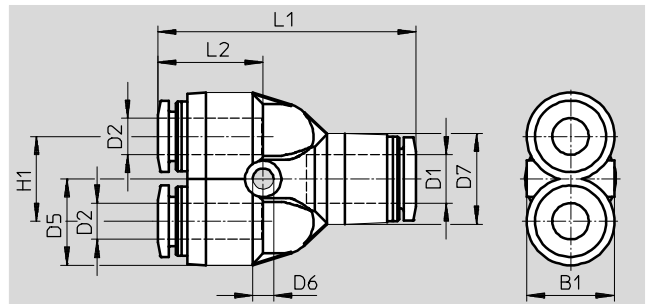
Push-in fittings NPQP

Technical data

Push-in Y-connector NPQP-Y



Reducing



Dimensions and ordering data													
Tubing O.D.	Nominal size [mm]	Tubing O.D.	D5 ∅	D6	D7	B1	H1	L1	L2	Weight/ piece [g]	Part No.	Type	PU ¹⁾
D1		D2											
4	2.3	-	10.0	3.2	10.0	10.4	11.0	33.0	14.2	6.5	133119	NPQP-Y-Q4-E-FD-P10	10
6	3.6	-	12.5	3.4	13.0	13.5	12.0	38.0	15.9	9.0	133120	NPQP-Y-Q6-E-FD-P10	10
8	4.6	-	14.5	3.4	15.0	14.5	14.0	42.4	17.2	13.0	133121	NPQP-Y-Q8-E-FD-P10	10
10	5.9	-	18.0	4.5	18.0	18.0	18.0	48.8	19.7	22.0	133122	NPQP-Y-Q10-E-FD-P10	10
12	7.0	-	21.0	4.2	21.5	21.0	20.0	55.2	22.4	31.0	133123	NPQP-Y-Q12-E-FD-P10	10
Reducing													
6	2.3	4	12.5	3.4	13.0	13.5	12.0	37.4	15.3	8.5	133124	NPQP-Y-Q6-Q4-FD-P10	10
8	3.6	6	14.5	3.4	15.0	15.1	14.0	42.6	17.4	11.5	133125	NPQP-Y-Q8-Q6-FD-P10	10
10	4.7	8	18.0	4.5	18.0	18.0	18.0	48.3	19.2	18.5	133126	NPQP-Y-Q10-Q8-FD-P10	10
12	5.9	10	21.0	4.2	21.5	21.0	20.0	55.0	22.2	28.5	133127	NPQP-Y-Q12-Q10-FD-P10	10

1) Packaging unit