

Threaded fittings NPFC

FESTO



Threaded fittings NPFC

Technical data



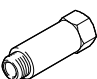



Operating and environmental conditions	
Operating pressure [bar]	-0.95 ... 50
Operating medium	Compressed air to ISO 8573-1:2010 [-:-:-]
	Gases on request
	Liquids on request
Ambient temperature [°C]	-20 ... +150
Corrosion resistance class CRC ¹⁾	1

- 1) Corrosion resistance class 1 according to Festo standard 940 070
 Components subject to low corrosion stress. Transport and storage protection. Parts that do not have primarily decorative surface requirements, e.g. in internal areas that are not visible or behind covers.

Materials	
Threaded fitting	Nickel-plated brass
Note on materials	RoHS-compliant

Threaded fittings NPFC


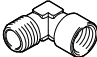



Product range overview

Design	Design	Type	Connection D1			Connection D2			→ Page/ Internet
			M thread	G thread ¹⁾	R thread ¹⁾	M thread	G thread ¹⁾	R thread ¹⁾	
Straight design	Sleeve								
		NPFC-S	M5	–	–	–	–	–	6
			–	G ¹ / ₈					
				G ¹ / ₄					
				G ³ / ₈					
				G ¹ / ₂					
			G ³ / ₄						
	Reducing sleeve								
		NPFC-R	–	G ¹ / ₈	–	–	G ³ / ₈	–	6
				G ¹ / ₂			G ³ / ₄		
	Extension								
		NPFC-E...	–	G ¹ / ₈	–	–	G ¹ / ₈	–	7
				G ¹ / ₄			G ¹ / ₄		
				G ³ / ₈			G ³ / ₈		
				G ¹ / ₂			G ¹ / ₂		
Double nipple									
	NPFC-D	M5	–	–	M5	–	–	8	
		M7	–	–	–	G ¹ / ₈	–		
		–	G ¹ / ₈			G ¹ / ₈ , G ¹ / ₄ , G ³ / ₈			
			G ¹ / ₄			G ¹ / ₄ , G ³ / ₈ , G ¹ / ₂			
			G ³ / ₈			G ³ / ₈ , G ¹ / ₂			
			G ¹ / ₂			G ¹ / ₂			
			–	R ¹ / ₈		–	R ¹ / ₈ , R ¹ / ₄ , R ³ / ₈		
				R ¹ / ₄			R ¹ / ₄ , R ³ / ₈ , R ¹ / ₂		
				R ³ / ₈			R ³ / ₈ , R ¹ / ₂		
				R ¹ / ₂			R ¹ / ₂ , R ³ / ₄		
			R ³ / ₄			R ³ / ₄			
			R1			R1			
Reducing nipple – internal thread/external thread									
	NPFC-R	M5	–	–	–	G ¹ / ₈	–	9	
		–	G ¹ / ₈			G ¹ / ₄ , G ³ / ₈			
			G ¹ / ₄			G ³ / ₈			
			G ³ / ₈			G ¹ / ₂			
Reducing nipples – external thread/internal thread									
	NPFC-R	–	G ¹ / ₈	–	M5	–	–	9	
			G ¹ / ₄		–	G ¹ / ₈			
			G ³ / ₈			G ¹ / ₈ , G ¹ / ₄			
			G ¹ / ₂			G ¹ / ₄ , G ³ / ₈			
			G ³ / ₄			G ¹ / ₂			

1) Sealing with thread sealing tape, GWB-0,1 Part No. 9076, is recommended for the parallel thread of the threaded fitting NPFB.

Threaded fittings NPFC

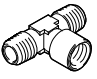
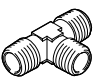
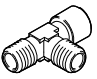
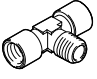
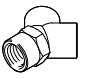
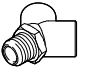

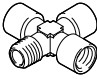
Product range overview

Design	Version	Type	Connection D1			Connection D2			→ Page/ Internet
			M thread	G thread ¹⁾	R thread ¹⁾	M thread	G thread ¹⁾	R thread ¹⁾	
L-shape	Elbow fitting – internal thread								
		NPFC-L	M5	–	–	–	–	–	10
			–	G1/8	–	–	–	–	
			–	G1/4	–	–	–	–	
			–	G3/8	–	–	–	–	
			–	G1/2	–	–	–	–	
			–	G3/4	–	–	–	–	
			–	G1	–	–	–	–	
	Elbow fitting – external thread/internal thread								
		NPFC-L	M5	–	–	M5	–	–	10
			–	G1/8	–	–	–	R1/8	
			–	G1/4	–	–	–	R1/4	
–			G3/8	–	–	–	R3/8		
–			G1/2	–	–	–	R1/2		
–			G3/4	–	–	–	R3/4		
–			G1	–	–	–	R1		
Elbow fitting – external thread									
	NPFC-L	M5	–	–	–	–	–	11	
		–	–	–	–	–	R1/8		
		–	–	–	–	–	R1/4		
		–	–	–	–	–	R3/8		
		–	–	–	–	–	R1/2		
		–	–	–	–	–	R3/4		
T-shape	T-fitting – internal thread								
		NPFC-T	–	G1/8	–	–	–	–	11
			–	G1/4	–	–	–	–	
			–	G3/8	–	–	–	–	
			–	G1/2	–	–	–	–	
			–	G3/4	–	–	–	–	
			–	G1	–	–	–	–	
			T-fitting – internal thread/external thread/internal thread						
		NPFC-T	M5	–	–	M5	–	–	12
			–	G1/8	–	–	–	R1/8	
			–	G1/4	–	–	–	R1/4	
			–	G3/8	–	–	–	R3/8	
–			G1/2	–	–	–	R1/2		
–			G3/4	–	–	–	R3/4		
–			G1	–	–	–	R1		

1) Sealing with thread sealing tape, GWB-0,1 Part No. 9076, is recommended for the parallel thread of the threaded fitting NPFB.

Threaded fittings NPFC

Product range overview

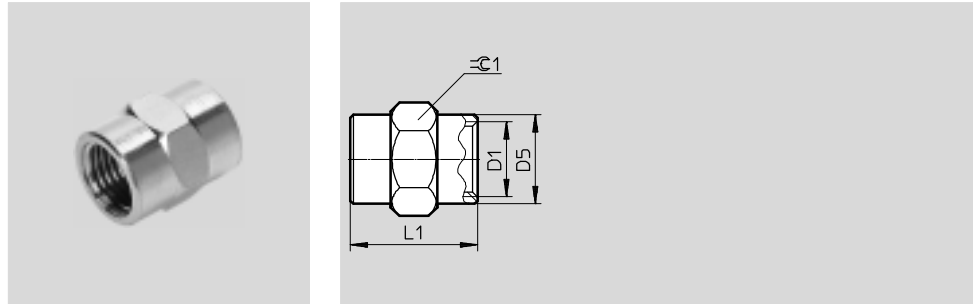
Design	Version	Type	Connection D1			Connection D2			→ Page/ Internet
			M thread	G thread ¹⁾	R thread ¹⁾	M thread	G thread ¹⁾	R thread ¹⁾	
T-shape	T-fitting – internal thread/external thread/external thread								
		NPFC-T	–	G 1/8 G 1/4 G 3/8 G 1/2	–	–	–	R 1/8 R 1/4 R 3/8 R 1/2	12
	T-fitting – external thread								
		NPFC-T	–	–	R 1/4 R 3/8 R 1/2	–	–	–	13
T-fitting – external thread/external thread/internal thread									
	NPFC-T	–	–	R 1/8 R 1/4 R 1/2	–	G 1/8 G 1/4 G 1/2	–	13	
T-fitting – external thread/internal thread/internal thread									
	NPFC-T	–	–	R 1/8 R 1/4 R 3/8 R 1/2	–	G 1/8 G 1/4 G 3/8 G 1/2	–	14	
Y-shape	Y-fitting – internal thread								
		NPFC-Y	–	G 1/4 G 3/8 G 1/2	–	–	–	–	15
Y-fitting – external thread/internal thread/internal thread									
	NPFC-Y	–	–	R 1/8 R 1/4 R 3/8 R 1/2	–	G 1/8 G 1/4 G 3/8 G 1/2	–	15	
X-shape	X-fitting – internal thread								
		NPFC-X	–	G 1/4 G 3/8 G 1/2	–	–	–	–	16
X-fitting – external thread/internal thread/internal thread/internal thread									
	NPFC-X	–	G 1/4 G 1/2	–	–	–	R 1/4 R 1/2	16	

1) Sealing with thread sealing tape, GWB-0,1 Part No. 9076, is recommended for the parallel thread of the threaded fitting NPFB.

Threaded fittings NPFC

Technical data

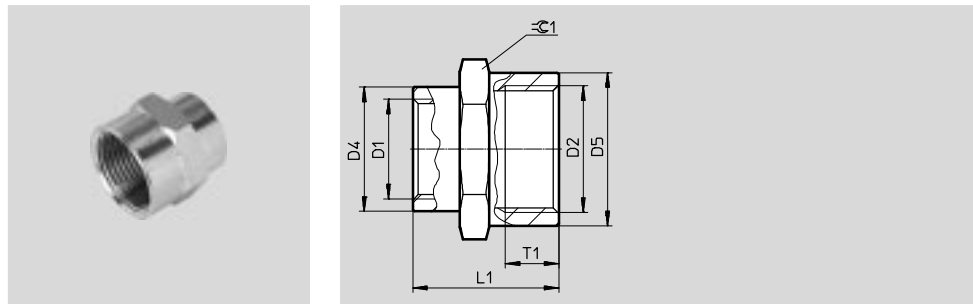
Sleeve NPFC-S



Dimensions and ordering data							
Connection	D5	L1	$\approx \zeta 1$	Weight/piece [g]	Part no.	Type	PU ¹⁾
D1	\varnothing						
M thread							
M5	7.5	11	8	3.13	8030290	NPFC-S-2M5-F	10
G thread							
G $\frac{1}{8}$	13.5	15	14	11	8030291	NPFC-S-2G18-F	10
G $\frac{1}{4}$	16.5	22	17	18.8	8030292	NPFC-S-2G14-F	10
G $\frac{3}{8}$	21.5	24	22	35.7	8030293	NPFC-S-2G38-F	10
G $\frac{1}{2}$	25.5	30	26	54.4	8030294	NPFC-S-2G12-F	10
G $\frac{3}{4}$	31.5	32	32	79.1	8030295	NPFC-S-2G34-F	10

1) Packaging unit quantity

Reducing sleeve NPFC-R

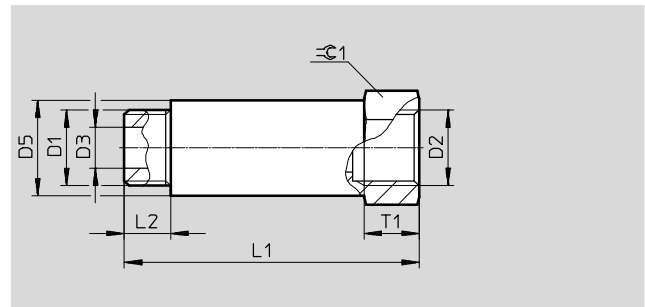


Dimensions and ordering data										
Connection	D2	D4	D5	L1	T1	$\approx \zeta 1$	Weight/piece [g]	Part no.	Type	PU ¹⁾
D1		\varnothing	\varnothing							
G $\frac{1}{8}$	G $\frac{3}{8}$	13	20.5	20	10.5	22	24.6	8030296	NPFC-R-G38-G18-F	10
G $\frac{1}{2}$	G $\frac{3}{4}$	25	29.8	30	14.5	30	56.2	8030297	NPFC-R-G34-G12-F	10

1) Packaging unit quantity

Threaded fittings NPFC

Technical data

Extension NPFC-E...


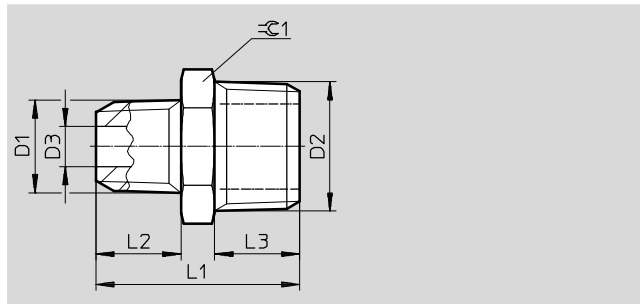
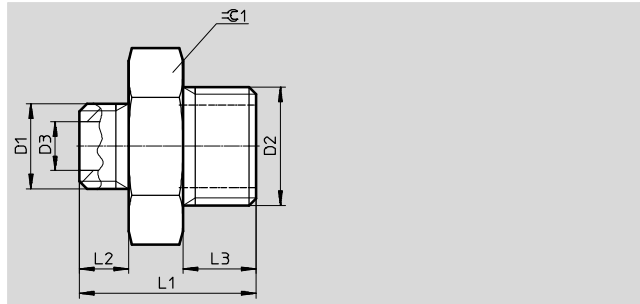
Dimensions and ordering data											
Connection		D3	D5	L1	L2	T1	$\varnothing C1$	Weight/piece [g]	Part no.	Type	PU ¹⁾
D1	D2	\varnothing	\varnothing								
E1											
G ¹ / ₈	G ¹ / ₈	5.5	13	22	6	7.5	14	14.9	8030298	NPFC-E1-2G18-FM	10
G ¹ / ₄	G ¹ / ₄	8	16.5	28	8	9.5	17	25.4	8030299	NPFC-E1-2G14-FM	10
G ³ / ₈	G ³ / ₈	11	21.5	32	9	10	22	47.56	8030300	NPFC-E1-2G38-FM	10
G ¹ / ₂	G ¹ / ₂	15	25	35	10	11	26	59.8	8030301	NPFC-E1-2G12-FM	10
E2											
G ¹ / ₈	G ¹ / ₈	5.5	13	32	6	7.5	14	21.4	8030302	NPFC-E2-2G18-FM	10
G ¹ / ₄	G ¹ / ₄	8	16.5	35	8	9.5	17	31.76	8030303	NPFC-E2-2G14-FM	10
E3											
G ¹ / ₈	G ¹ / ₈	5.5	13	42	6	7.5	14	27.2	8030304	NPFC-E3-2G18-FM	10
G ¹ / ₄	G ¹ / ₄	8	16.5	51	8	9.5	17	47.1	8030305	NPFC-E3-2G14-FM	10
E4											
G ¹ / ₈	G ¹ / ₈	5.5	13	51	6	7.5	14	33.1	8030306	NPFC-E4-2G18-FM	10

1) Packaging unit quantity

Threaded fittings NPFC

Technical data

Double nipple NPFC-D



Dimensions and ordering data										
Connection		D3	L1	L2	L3	$\approx C1$	Weight/piece [g]	Part no.	Type	PU ¹⁾
D1	D2	∅								
M thread										
M5	M5	2.5	11.5	4	4	8	2.47	8030267	NPFC-D-2M5-M	10
M7	G $\frac{1}{8}$	4	15.5	4	6	14	8.7	8030268	NPFC-D-M7-G18-M	10
G thread										
G $\frac{3}{8}$	G $\frac{1}{8}$	5.5	16.5	6	6	14	9.7	8030269	NPFC-D-2G18-M	10
	G $\frac{1}{4}$	5.5	19	6	8	17	15.8	8030270	NPFC-D-G18-G14-M	10
	G $\frac{3}{8}$	5.5	20	6	9	19	20.5	8030271	NPFC-D-G18-G38-M	10
G $\frac{1}{4}$	G $\frac{1}{4}$	8	21	8	8	17	17.2	8030272	NPFC-D-2G14-M	10
	G $\frac{3}{8}$	8	22	8	9	19	22.4	8030273	NPFC-D-G14-G38-M	10
	G $\frac{1}{2}$	8	23.5	8	10	24	33.35	8030274	NPFC-D-G14-G12-M	10
G $\frac{3}{8}$	G $\frac{3}{8}$	11	23	9	9	19	24	8030275	NPFC-D-2G38-M	10
	G $\frac{1}{2}$	11	24.5	9	10	24	35.2	8030276	NPFC-D-G38-G12-M	10
G $\frac{1}{2}$	G $\frac{1}{2}$	15	25.5	10	10	24	35.75	8030277	NPFC-D-2G12-M	10
R thread										
R $\frac{1}{8}$	R $\frac{1}{8}$	5.5	19.5	7.5	7.5	12	9.4	8030278	NPFC-D-2R18-M	10
	R $\frac{1}{4}$	5.5	23.5	7.5	11	14	14.7	8030279	NPFC-D-R18-R14-M	10
	R $\frac{3}{8}$	5.5	24	7.5	11.5	17	20.16	8030280	NPFC-D-R18-R38-M	10
R $\frac{1}{4}$	R $\frac{1}{4}$	8	27	11	11	14	17.9	8030281	NPFC-D-2R14-M	10
	R $\frac{3}{8}$	8	27.5	11	11.5	17	23.4	8030282	NPFC-D-R14-R38-M	10
	R $\frac{1}{2}$	8	30.5	11	14	22	35.43	8030283	NPFC-D-R14-R12-M	10
R $\frac{3}{8}$	R $\frac{3}{8}$	11	28	11.5	11.5	17	26.27	8030284	NPFC-D-2R38-M	10
	R $\frac{1}{2}$	11	31	11.5	14	22	38.42	8030285	NPFC-D-R38-R12-M	10
R $\frac{1}{2}$	R $\frac{1}{2}$	15	33.5	14	14	22	41.1	8030286	NPFC-D-2R12-M	10
	R $\frac{3}{4}$	15	37.5	14	16.5	27	68.5	8030287	NPFC-D-R12-R34-M	10
R $\frac{3}{4}$	R $\frac{3}{4}$	19	40	16.5	16.5	27	80.14	8030288	NPFC-D-2R34-M	10
R1	R1	24	46.5	19	19	34	147.33	8030289	NPFC-D-2R1-M	10

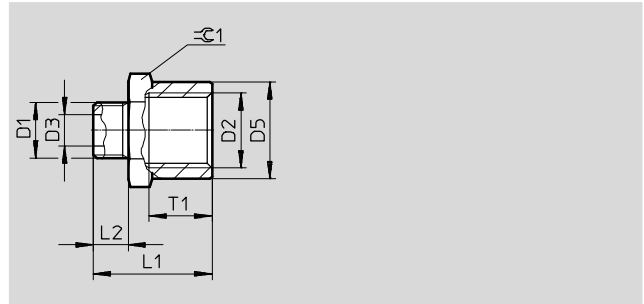
1) Packaging unit quantity

Threaded fittings NPFC

Technical data

Reducing nipple NPFC-R

Internal thread/external thread

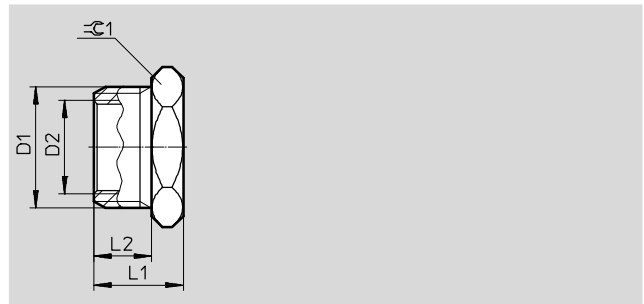


Dimensions and ordering data											
Connection		D3	D5	L1	L2	T1	$\approx C1$	Weight/piece [g]	Part no.	Type	PU ¹⁾
D1	D2	∅	∅								
M5	G1/8	2.5	13.5	14.5	4	7.4	14	9.3	8030314	NPFC-R-G18-M5-FM	10
G1/8	G1/4	5.5	17	20.5	6	9.5	17	17.8	8030315	NPFC-R-G14-G18-FM	10
	G3/8	5.5	21.5	21.5	6	10.5	22	30.1	8030316	NPFC-R-G38-G18-FM	10
G1/4	G3/8	8	21.5	23.5	8	10.5	22	32	8030317	NPFC-R-G38-G14-FM	10
G3/8	G1/2	11	25	27.5	9	13	26	45.1	8030318	NPFC-R-G12-G38-FM	10

1) Packaging unit quantity

Reducing nipple NPFC-R

External thread/internal thread



Dimensions and ordering data											
Connection		L1	L2	$\approx C1$	Weight/piece [g]	Part no.	Type			PU ¹⁾	
D1	D2										
G1/8	M5	10.5	6	14	8.2	8030307	NPFC-R-G18-M5-MF			10	
G1/4	G1/8	13	8	17	10.8	8030308	NPFC-R-G14-G18-MF			10	
G3/8	G1/8	14	9	19	19.4	8030309	NPFC-R-G38-G18-MF			10	
	G1/4	14	9	19	13	8030310	NPFC-R-G38-G14-MF			10	
G1/2	G1/4	15.5	10	24	31.4	8030311	NPFC-R-G12-G14-MF			10	
	G3/8	15.5	10	24	22.1	8030312	NPFC-R-G12-G38-MF			10	
G3/4	G1/2	17.5	12	30	39.3	8030313	NPFC-R-G34-G12-MF			10	

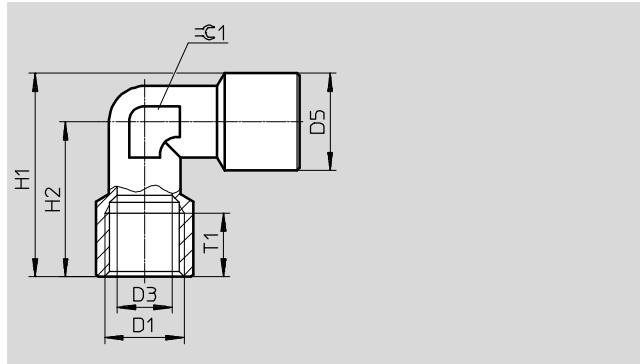
1) Packaging unit quantity

Threaded fittings NPFC

Technical data

Elbow fitting NPFC-L

Internal thread

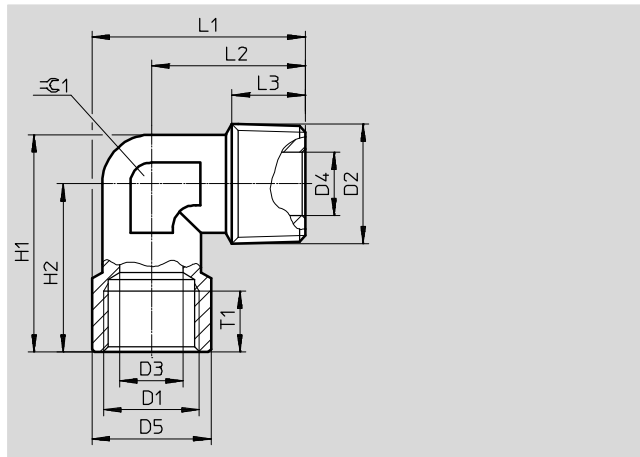


Dimensions and ordering data										
Connection	D3	D5	H1	H2	T1	$\varnothing C1$	Weight/piece [g]	Part no.	Type	PU ¹⁾
D1	\varnothing	\varnothing								
M5	4.2	8.5	15.3	11	4	9	8.8	8030208	NPFC-L-2M5-F	10
G $\frac{1}{8}$	6	13	27.5	21	7.4	11	22.5	8030209	NPFC-L-2G18-F	10
G $\frac{1}{4}$	8	16.5	33.8	25.5	9.5	13	36.2	8030210	NPFC-L-2G14-F	10
G $\frac{3}{8}$	11	20.5	38.3	28	10.5	17	54.1	8030211	NPFC-L-2G38-F	10
G $\frac{1}{2}$	15	25.5	44.8	32	13	20	91.5	8030212	NPFC-L-2G12-F	10
G $\frac{3}{4}$	19	32	52.5	36.5	14.5	27	161	8030213	NPFC-L-2G34-F	10
G1	24	39	64.5	45	16.5	30	238	8030214	NPFC-L-2G1-F	10

1) Packaging unit quantity

Elbow fitting NPFC-L

External thread/internal thread



Dimensions and ordering data															
Connection	D3	D4	D5	H1	H2	L1	L2	L3	T1	$\varnothing C1$	Weight/piece [g]	Part no.	Type	PU ¹⁾	
D1	D2	\varnothing	\varnothing	\varnothing											
M5	M5	3	2.5	8.5	15.8	11.5	15.8	11.5	4	5	9	8.5	8030215	NPFC-L-2M5-MF	10
G $\frac{1}{8}$	R $\frac{1}{8}$	6	5.5	13	26	19	24.5	18	7.5	7.4	11	19.8	8030216	NPFC-L-R18-G18-MF	10
G $\frac{1}{4}$	R $\frac{1}{4}$	8	8	16.5	31.5	25.5	32.3	24	11	9.5	13	32.3	8030217	NPFC-L-R14-G14-MF	10
G $\frac{3}{8}$	R $\frac{3}{8}$	11	11	20.5	35.5	28	37.3	27	11.5	10.5	17	48.7	8030218	NPFC-L-R38-G38-MF	10
G $\frac{1}{2}$	R $\frac{1}{2}$	15	15	25.5	41.7	32	42.3	29.5	14	13	20	77.8	8030219	NPFC-L-R12-G12-MF	10
G $\frac{3}{4}$	R $\frac{3}{4}$	20	20	32	48.5	36.5	48	32	14.7	14.5	27	131.7	8030220	NPFC-L-R34-G34-MF	10
G1	R1	24	24	39	59.5	45	58.5	39	15.7	16.5	30	197.4	8030221	NPFC-L-R1-G1-MF	10

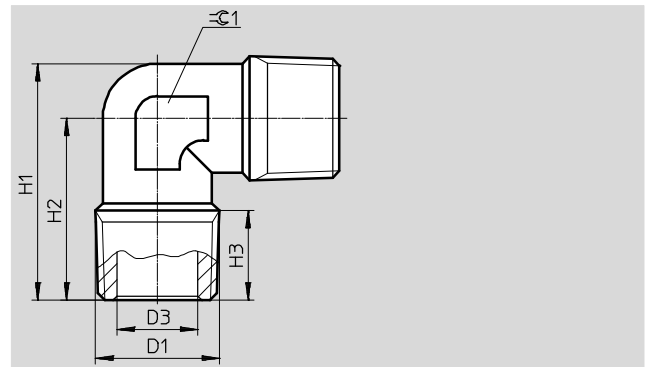
1) Packaging unit quantity

Threaded fittings NPFC

Technical data

Elbow fitting NPFC-L

External thread

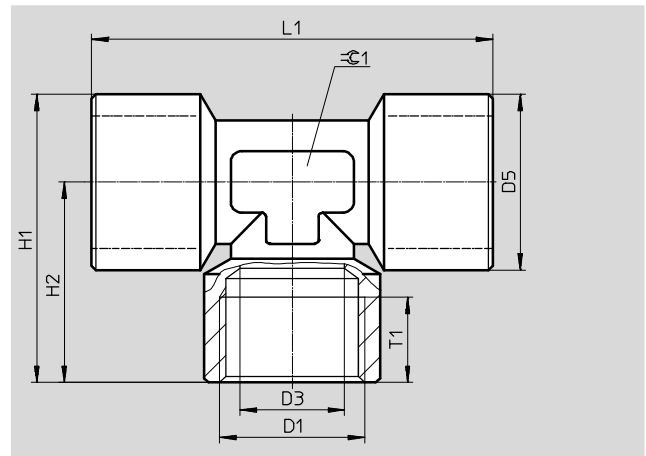


Dimensions and ordering data									
Connection	D3	H1	H2	H3	$\approx C1$	Weight/piece	Part no.	Type	PU ¹⁾
D1	\varnothing					[g]			
M5	2.5	15.8	11.5	4	9	7.7	8030222	NPFC-L-2M5-M	10
R $\frac{1}{8}$	5.5	23	18	7.5	11	16.1	8030223	NPFC-L-2R18-M	10
R $\frac{1}{4}$	8	31	24	11	13	27.7	8030224	NPFC-L-2R14-M	10
R $\frac{3}{8}$	11	34.5	27	11.5	17	43.3	8030225	NPFC-L-2R38-M	10
R $\frac{1}{2}$	15	39.2	29.5	14	20	62	8030226	NPFC-L-2R12-M	10
R $\frac{3}{4}$	19	44	32	13	27	102.6	8030227	NPFC-L-2R34-M	10

1) Packaging unit quantity

T-fitting NPFC-T

Internal thread



Dimensions and ordering data											
Connection	D3	D5	H1	H2	L1	T1	$\approx C1$	Weight/piece	Part no.	Type	PU ¹⁾
D1	\varnothing	\varnothing						[g]			
G $\frac{1}{8}$	6	13	26	19.5	39	7.4	12	28.9	8030235	NPFC-T-3G18-F	10
G $\frac{1}{4}$	8	16.5	32.8	24.5	49	9.5	13	49.3	8030236	NPFC-T-3G14-F	10
G $\frac{3}{8}$	11	20.5	37.3	27	54	10.5	16	71.9	8030237	NPFC-T-3G38-F	10
G $\frac{1}{2}$	15	25.5	44.8	32	64	13	20	129.3	8030238	NPFC-T-3G12-F	10
G $\frac{3}{4}$	19	32	52.5	36.5	73	14.5	27	214.3	8030239	NPFC-T-3G34-F	10
G1	24	39	64.5	45	90	16.5	30	353	8030240	NPFC-T-3G1-F	10

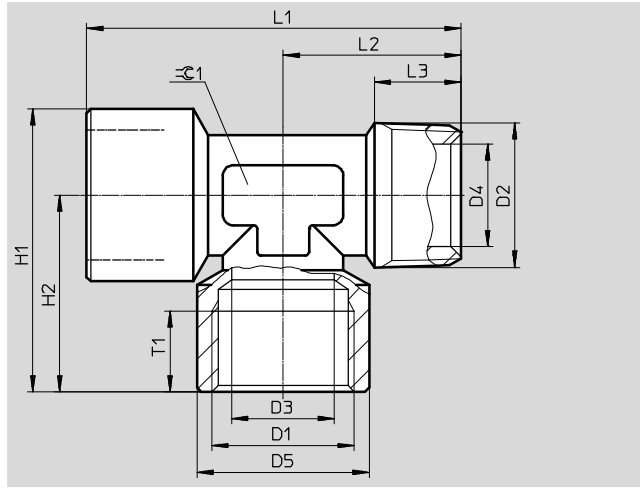
1) Packaging unit quantity

Threaded fittings NPFC

Technical data

T-fitting NPFC-T

Internal thread/external thread/
internal thread

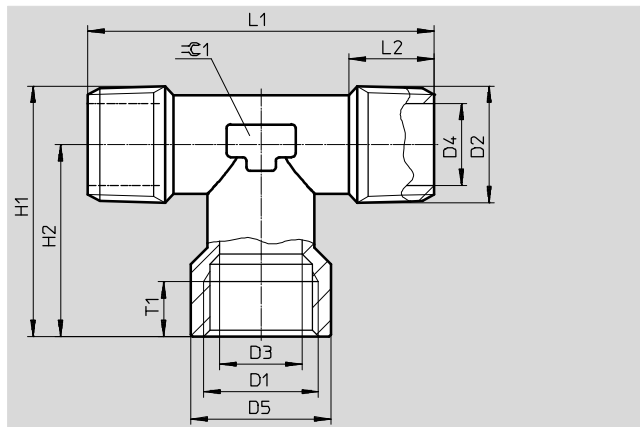


Dimensions and ordering data															
Connection		D3	D4	D5	H1	H2	L1	L2	L3	T1	≈C1	Weight/piece [g]	Part no.	Type	PU ¹⁾
D1	D2	∅	∅	∅											
M5	M5	3	2.5	8.5	16.3	12	22	11	4	5	9	10.9	8030245	NPFC-T-3M5-FMF	10
G ¹ / ₈	R ¹ / ₈	6	6	13	26	19.5	37	17.5	7.5	7.4	12	26	8030246	NPFC-T-2G18-R18-FMF	10
G ¹ / ₄	R ¹ / ₄	8	8	16.5	32.8	24.6	47.5	23	11	9.5	13	44.4	8030247	NPFC-T-2G14-R14-FMF	10
G ³ / ₈	R ³ / ₈	11	11	20.5	37.3	27.1	52.5	25.5	11.5	10.5	16	65.8	8030248	NPFC-T-2G38-R38-FMF	10
G ¹ / ₂	R ¹ / ₂	15	15	25.5	44.8	32.1	61.5	29.5	14	13	20	114.2	8030249	NPFC-T-2G12-R12-FMF	10
G ³ / ₄	R ³ / ₄	19	19	32	52.5	36.5	68.5	32	14	14.5	27	186	8030250	NPFC-T-2G34-R34-FMF	10
G1	R1	24	24	39	64.5	45	84	39	16	16.5	30	296	8030251	NPFC-T-2G1-R1-FMF	10

1) Packaging unit quantity

T-fitting NPFC-T

Internal thread/external thread/
external thread



Dimensions and ordering data															
Connection		D3	D4	D5	H1	H2	L1	L2	T1	≈C1	Weight/piece [g]	Part no.	Type	PU ¹⁾	
D1	D2	∅	∅	∅											
G ¹ / ₈	R ¹ / ₈	6	5.5	13	24.5	19.5	35	7.5	7.4	12	23.1	8030255	NPFC-T-G18-2R18-FMM	10	
G ¹ / ₄	R ¹ / ₄	8	8	16.5	31	24.5	46	11	9.5	13	40.3	8030256	NPFC-T-G14-2R14-FMM	10	
G ³ / ₈	R ³ / ₈	11	11	20.5	35.5	27	51.5	11.5	10.5	16	60.8	8030257	NPFC-T-G38-2R38-FMM	10	
G ¹ / ₂	R ¹ / ₂	15	15	25.5	42.8	32	59	14	13	20	100.7	8030258	NPFC-T-G12-2R12-FMM	10	

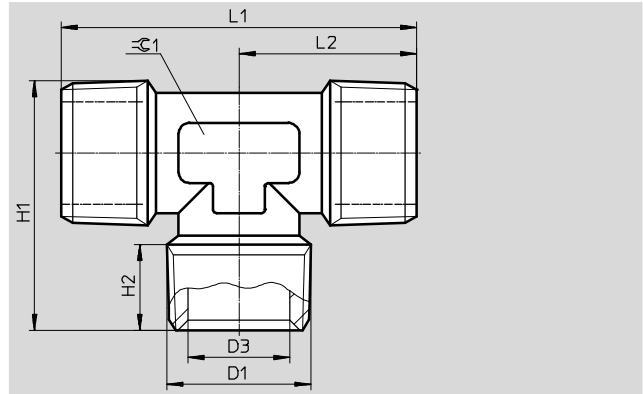
1) Packaging unit quantity

Threaded fittings NPFC

Technical data

T-fitting NPFC-T

External thread

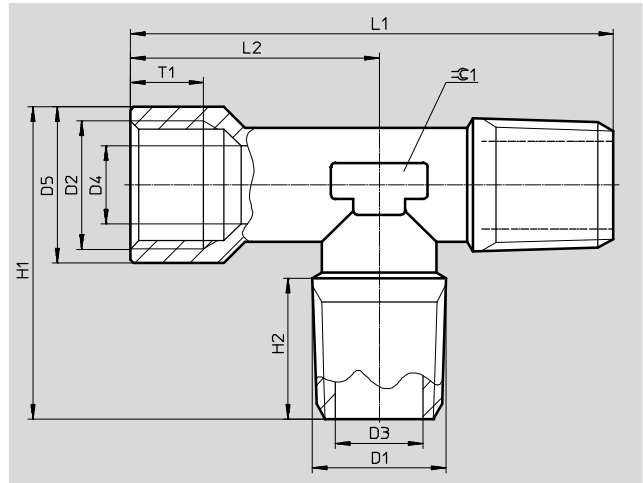


Dimensions and ordering data										
Connection	D3	H1	H2	L1	L2	$\approx C1$	Weight/piece [g]	Part no.	Type	PU ¹⁾
D1	\varnothing									
R $\frac{1}{4}$	8	29.8	11	46	23	13	36.2	8030252	NPFC-T-3R14-M	10
R $\frac{3}{8}$	11	34.1	11.5	51.5	25.5	16	54.9	8030253	NPFC-T-3R38-M	10
R $\frac{1}{2}$	15	40.3	14	59	29.5	20	86	8030254	NPFC-T-3R12-M	10

1) Packaging unit quantity

T-fitting NPFC-T

External thread/external thread/
internal thread



Dimensions and ordering data														
Connection	D2	D3	D4	D5	H1	H2	L1	L2	T1	$\approx C1$	Weight/piece [g]	Part no.	Type	PU ¹⁾
D1	\varnothing	\varnothing	\varnothing	\varnothing										
R $\frac{1}{8}$	G $\frac{1}{8}$	5.5	6	13	24	7.5	37	19.5	7.4	12	23.2	8030259	NPFC-T-2R18-G18-MMF	10
R $\frac{1}{4}$	G $\frac{1}{4}$	8	8	16.5	31.3	11	47.5	24.5	9.5	13	40.3	8030260	NPFC-T-2R14-G14-MMF	10
R $\frac{1}{2}$	G $\frac{1}{2}$	15	15	25.5	42.3	14	61.5	32	13	20	100.6	8030261	NPFC-T-2R12-G12-MMF	10

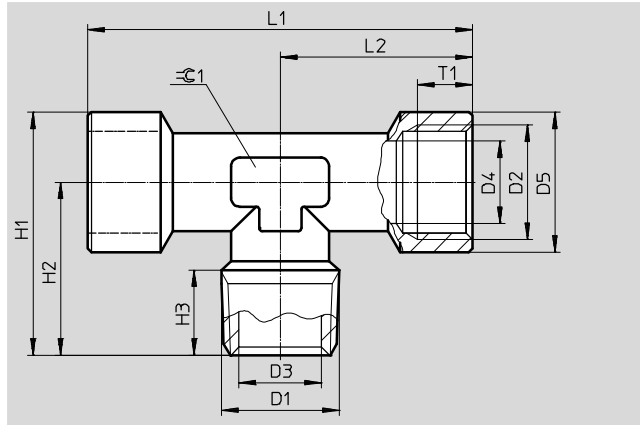
1) Packaging unit quantity

Threaded fittings NPFC

Technical data

T-fitting NPFC-T

External thread/internal thread/
internal thread



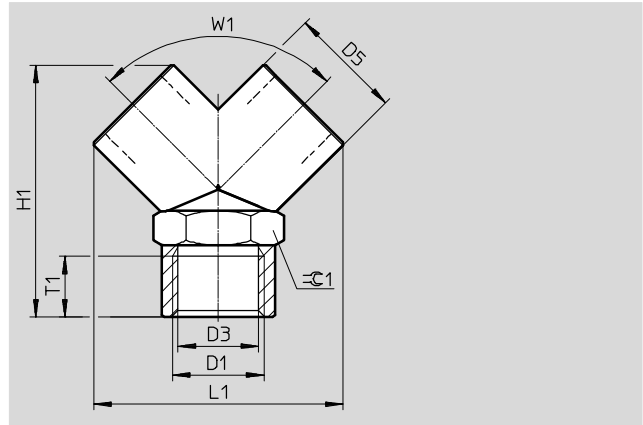
Dimensions and ordering data															
Connection		D3	D4	D5	H1	H2	H3	L1	L2	T1	$\varnothing 1$	Weight/piece	Part no.	Type	PU ¹⁾
D1	D2	∅	∅	∅								[g]			
R $\frac{1}{8}$	G $\frac{1}{8}$	5.5	6	13	24	17.5	8	39	19.5	7.4	12	26.3	8030241	NPFC-T-R18-2G18-MFF	10
R $\frac{1}{4}$	G $\frac{1}{4}$	8	8	16.5	31.3	23	11	49	24.5	9.5	13	45	8030242	NPFC-T-R14-2G14-MFF	10
R $\frac{3}{8}$	G $\frac{3}{8}$	11	11	20.5	35.8	25.5	11.5	54	27	10.5	16	65.9	8030243	NPFC-T-R38-2G38-MFF	10
R $\frac{1}{2}$	G $\frac{1}{2}$	15	15	25.5	41.8	29	14	64	32	13	20	114.7	8030244	NPFC-T-R12-2G12-MFF	10

1) Packaging unit quantity

Threaded fittings NPFC

Technical data

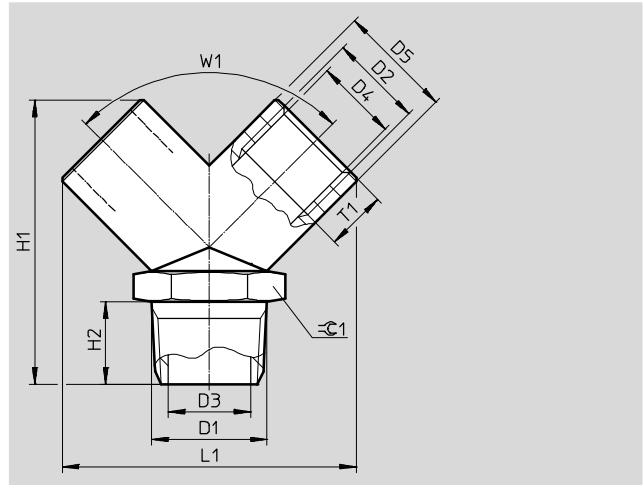
Y-fitting NPFC-Y
Internal thread



Dimensions and ordering data											
Connection	D3	D5	H1	L1	T1	W1	≈C1	Weight/piece	Part no.	Type	PU ¹⁾
D1	∅	∅						[g]			
G ¹ / ₄	11.5	17	36.8	36.8	9.5	90°	17	41.6	8030228	NPFC-Y-3G14-F	10
G ³ / ₈	15	22	46	46	10.5	90°	22	91.9	8030229	NPFC-Y-3G38-F	10
G ¹ / ₂	18.5	26	58	57.3	13	90°	26	144.6	8030230	NPFC-Y-3G12-F	10

1) Packaging unit quantity

Y-fitting NPFC-Y
External thread/internal thread/
internal thread



Dimensions and ordering data														
Connection	D3	D4	D5	H1	H2	L1	T1	W1	≈C1	Weight/piece	Part no.	Type	PU ¹⁾	
D1	D2	∅	∅	∅						[g]				
R ¹ / ₈	G ¹ / ₈	5.5	8.5	14	32.8	9	32.5	8.5	90°	14	30.7	8030231	NPFC-Y-R18-2G18-MFF	10
R ¹ / ₄	G ¹ / ₄	8	11.5	17	37	11	37	9.5	90°	17	40.8	8030232	NPFC-Y-R14-2G14-MFF	10
R ³ / ₈	G ³ / ₈	11	15	22	46	12.5	46	10.5	90°	22	86.7	8030233	NPFC-Y-R38-2G38-MFF	10
R ¹ / ₂	G ¹ / ₂	15	18.5	26	58	16.5	57.3	13	90°	26	138.5	8030234	NPFC-Y-R12-2G12-MFF	10

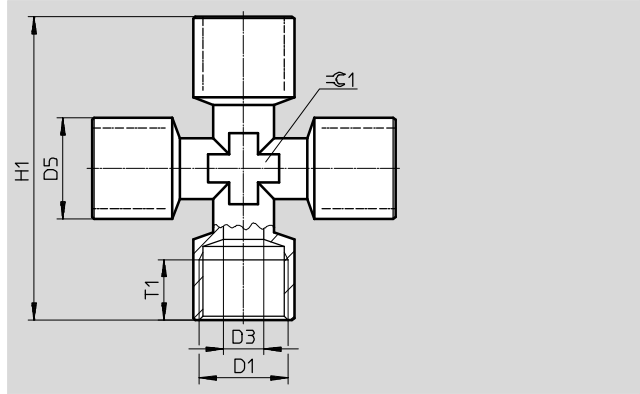
1) Packaging unit quantity

Threaded fittings NPFC

Technical data

X-fitting NPFC-X

Internal thread

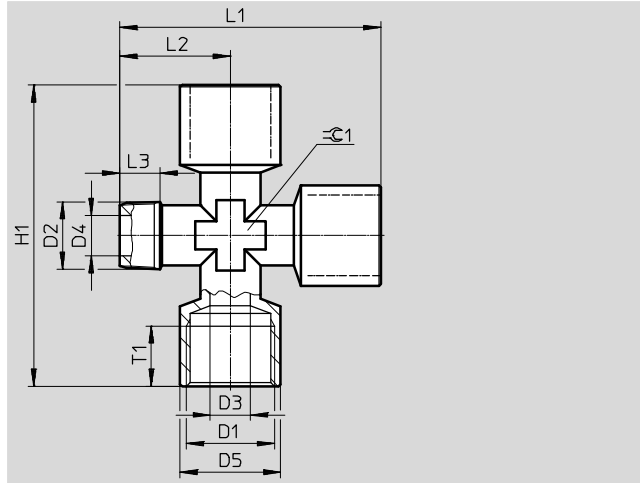


Dimensions and ordering data										
Connection	D3	D5	H1	T1	☩1	Weight/piece [g]	Part no.	Type	PU ¹⁾	
D1	∅	∅								
G ¹ / ₄	8	16.5	50	9.5	13	63.7	8030262	NPFC-X-4G14-F	10	
G ³ / ₈	11	20.5	56	10.5	17	100.1	8030263	NPFC-X-4G38-F	10	
G ¹ / ₂	15	25.5	64	13	20	164.1	8030264	NPFC-X-4G12-F	10	

1) Packaging unit quantity

X-fitting NPFC-X

External thread/internal thread/
internal thread/internal thread



Dimensions and ordering data														
Connection	D2	D3	D4	D5	H1	L1	L2	L3	T1	☩1	Weight/piece [g]	Part no.	Type	PU ¹⁾
D1		∅	∅	∅										
G ¹ / ₄	R ¹ / ₄	8	8	16.5	50	48.5	23.5	11	9.5	13	59.6	8030265	NPFC-X-R14-3G14-MFFF	10
G ¹ / ₂	R ¹ / ₂	15	15	25.5	64	61	29	14	13	20	146.7	8030266	NPFC-X-R12-3G12-MFFF	10

1) Packaging unit quantity