

Connecting cables, Sub-D, 37-pin

Technical data

Connecting cable
NEBV-S1W37

- Connecting cable for multi-pin plug connection
- Pre-assembled
- Cable lengths 2.5 m, 5 m or 10 m
- 10-wire, 26-wire, 27-wire or 37-wire
- Sub-D, 37-pin



General technical data	
Electrical connection	Socket, 37-pin, Sub-D
Nominal operating voltage [V DC]	24
Operating voltage range [V DC]	21.6 ... 26.4
Conductor nominal cross section [mm ²]	0.34
Cable characteristics	Standard
Degree of protection	IP65
	NEMA4

Materials			
Type	NEBV-S1W37-E-...	NEBV-S1W37-K-...	NEBV-S1W37-KM-...
Housing	PA	PA	PA
Cable sheath	TPE-U (polyurethane)	TPE-U (polyurethane)	PVC

Operating and environmental conditions	
Ambient temperature [°C]	-5 ... +50

Connecting cables, Sub-D, 37-pin

Technical data

Circuitry (socket view)									
		NEBV-S1W37-...-LE10		NEBV-S1W37-...-LE26		NEBV-S1W37-...-LE27		NEBV-S1W37-...-LE37	
		Pin	Wire colour ¹⁾	Pin	Wire colour ¹⁾	Pin	Wire colour ¹⁾	Pin	Wire colour ¹⁾
	1	WH	1	WH	1	WH	1	WH	
	2	BN	2	BN	2	BN	2	BN	
	3	GN	3	GN	3	GN	3	GN	
	4	YE	4	YE	4	YE	4	YE	
	5	GY	5	GY	5	GY	5	GY	
	6	PK	6	PK	6	PK	6	PK	
	7	BU	7	BU	7	BU	7	BU	
	8	RD	8	RD	8	RD	8	RD	
	9	–	9	GY PK	9	GY PK	9	GY PK	
	10	–	10	RD BU	10	RD BU	10	RD BU	
	11	–	11	WH GN	11	WH GN	11	WH GN	
	12	–	12	BN GN	12	BN GN	12	BN GN	
	13	–	13	WH YE	13	WH YE	13	WH YE	
	14	–	14	YE BN	14	YE BN	14	YE BN	
	15	–	15	WH GY	15	WH GY	15	WH GY	
	16	–	16	GY BN	16	GY BN	16	GY BN	
	17	–	17	WH PK	17	WH PK	17	WH PK	
	18	–	18	PK BN	18	PK BN	18	PK BN	
	19	–	19	WH BU	19	WH BU	19	WH BU	
	20	–	20	BN BU	20	BN BU	20	BN BU	
	21	–	21	WH RD	21	WH RD	21	WH RD	
	22	–	22	BN RD	22	BN RD	22	BN RD	
	23	–	23	–	23	GY GN	23	GY GN	
	24	–	24	–	24	–	24	YE GY	
	25	–	25	–	25	–	25	PK GN	
	26	–	26	–	26	–	26	YE PK	
	27	–	27	–	27	–	27	GN BU	
	28	–	28	–	28	–	28	YE BU	
	29	–	29	–	29	–	29	GN RD	
	30	–	30	–	30	–	30	YE RD	
	31	–	31	–	31	–	31	GN BK	
	32	–	32	–	32	–	32	GY BU	
	33	–	33	–	33	–	33	YE BK	
	34	–	34	WH BK	34	WH BK	34	WH BK	
	35	–	35	BN BK	35	BN BK	35	BN BK	
	36	BK	36	BK	36	BK	36	BK	
	37	VT	37	VT	37	VT	37	VT	

1) To IEC 757

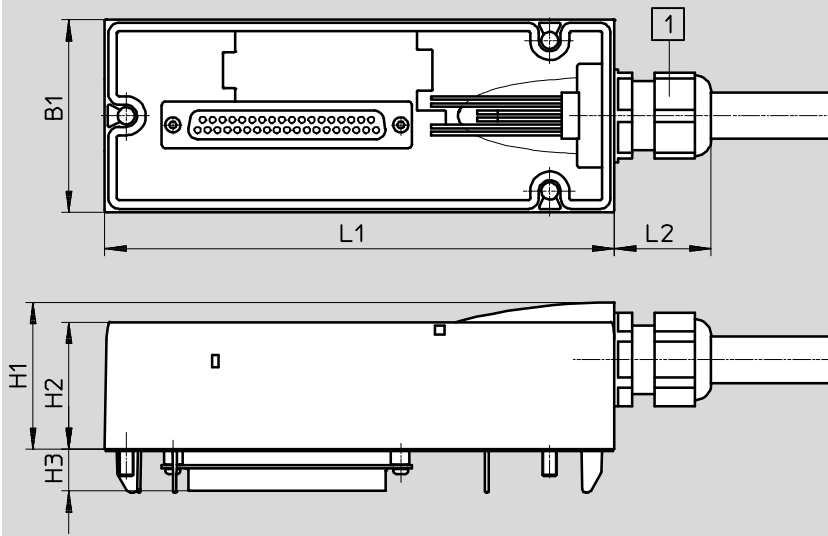
Connecting cables, Sub-D, 37-pin

Technical data

FESTO

Dimensions

Download CAD data → www.festo.com



1 Cable connector M20x1.5

Type	B1	H1	H2	H3	L1	L2
NEBV-S1W37-...	54	41	36	11.6	142	27

Ordering data

	Electrical connection	Cable composition [mm ²]	Cable Ø [mm]	Cable length [m]	Product weight [g]	Part No.	Type
Cable sheath TPE-U (polyurethane)							
	Socket, 37-pin, Sub-D	10x0.34	7.7	2.5	383	539240	NEBV-S1W37-E-2.5-LE10
				5	570	539241	NEBV-S1W37-E-5-LE10
				10	954	539242	NEBV-S1W37-E-10-LE10
		26x0.34	11.5	2.5	649	539243	NEBV-S1W37-E-2.5-LE26
				5	1101	539244	NEBV-S1W37-E-5-LE26
				10	2010	539245	NEBV-S1W37-E-10-LE26
		37x0.34	13	2.5	820	539246	NEBV-S1W37-K-2.5-LE37
				5	1422	539247	NEBV-S1W37-K-5-LE37
				10	2619	539248	NEBV-S1W37-K-10-LE37
Cable sheath PVC							
	Socket, 37-pin, Sub-D	10x0.34	7.7	2.5	388	543271	NEBV-S1W37-KM-2.5-LE10
				5	592	543272	NEBV-S1W37-KM-5-LE10
				10	997	543273	NEBV-S1W37-KM-10-LE10
		27x0.34	11.5	2.5	749	543274	NEBV-S1W37-KM-2.5-LE27
				5	1285	543275	NEBV-S1W37-KM-5-LE27
				10	2371	543276	NEBV-S1W37-KM-10-LE27
		37x0.34	13	2.5	903	543277	NEBV-S1W37-KM-2.5-LE37
				5	1610	543278	NEBV-S1W37-KM-5-LE37
				10	2955	543279	NEBV-S1W37-KM-10-LE37