

## Accessories, MS series

**FESTO**



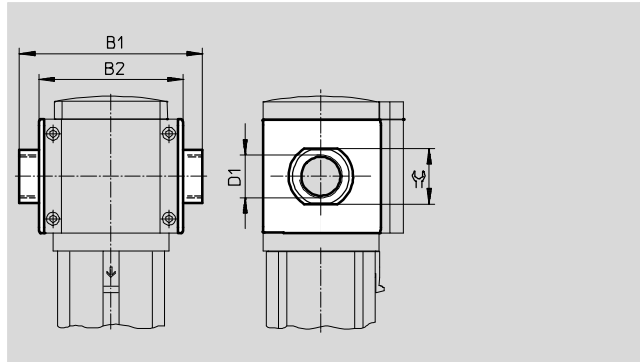
# Accessories, MS series

Connecting plates MS9

## Connecting plate-SET MS9-AQ...

(order code: AQ...)

- Adapter for pneumatic connection



Operating and environmental conditions		
Temperature of medium [°C]		-10 ... +60
Corrosion resistance class CRC <sup>1)</sup>		2

1) Corrosion resistance class CRC 2 to Festo standard FN 940070  
 Moderate corrosion stress. Indoor applications in which condensation may occur. External visible parts with primarily decorative requirements for the surface and which are in direct contact with the ambient atmosphere typical for industrial applications.

Materials	
Connecting plate	Die-cast aluminium
Hollow bolt	Die-cast aluminium
Seals	NBR
Note on materials	RoHS-compliant
	Free of copper and PTFE

Dimensions and ordering data							
Size	B1	B2	D1	⌀	Weight [g]	Part No.	Type
MS9	132	112	NPT $\frac{1}{2}$ -14	30	300	552959	MS9-AQR
	132	112	NPT $\frac{3}{4}$ -14	36	300	552960	MS9-AQS
	142	112	NPT1-11 $\frac{1}{2}$	41	300	552961	MS9-AQT
	162	112	NPT1 $\frac{1}{4}$ -11 $\frac{1}{2}$	50	400	552962	MS9-AQU
	176	112	NPT1 $\frac{1}{2}$ -11 $\frac{1}{2}$	55	400	552963	MS9-AQV