

# Connecting cables NEBV, for valves

Technical data

## Plug socket with cable KME

- Plug socket with cable for valves with E solenoid coils
- Pre-assembled
- Cable lengths 2.5 to 10 m



General technical data	
Electrical connection	Angled socket, square design, 3-pin, type C (industrial type) Open end, 2-wire
Switching position display	LED
Protective earth connection	Not present
Nominal operating voltage [V DC]	24
Acceptable current load [A]	4
Cable composition [mm <sup>2</sup> ]	2x0.75
Cable diameter [mm]	5.2
Cable diameter tolerance [mm]	±0.1
Min. cable bending radius [mm]	52
Cable properties	For static applications
Type of mounting	On solenoid valve via central screw M3
Tightening torque of plug socket [Nm]	Max. 0.35
Mounting position	Any
Degree of protection to EN 60529	IP67 (assembled)

Materials	
Housing	TPE-U(PU)
Seals	NBR
Pin contact	Bronze
Cable sheath	PVC

Operating and environmental conditions	
Ambient temperature [°C]	-20 ... +80

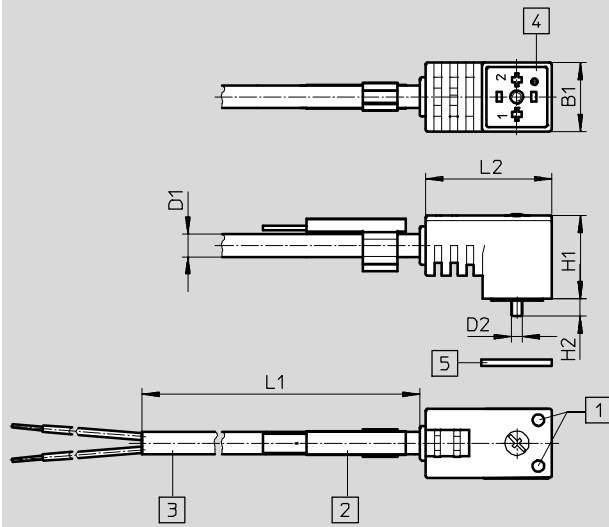
# Connecting cables NEBV, for valves

Technical data

FESTO

## Dimensions

Download CAD data → [www.festo.com](http://www.festo.com)



- 1 LED illuminated area
- 2 Inscription label holder ASCF with label ASLR-L-423 (scope of delivery)
- 3 2-wire cable (2 x 0.75 mm<sup>2</sup>)
- 4 Plug pattern, type C
- 5 Seal

Type	B1	D1	D2	H1	H2	L1	L2
KME-1-24DC-2,5-LED	16	5.2	M3	19.3	4	2500	29.1
KME-1-24DC-5-LED						5000	
KME-1-24-10-LED						10000	

## Ordering data

Electrical connection	Product weight [g]	Length [m]	Part No.	Type
Angled socket, square design, 3-pin, type C	135	2.5	<b>30943</b>	<b>KME-1-24DC-2,5-LED</b>
	280	5	<b>30945</b>	<b>KME-1-24DC-5-LED</b>
	570	10	<b>193455</b>	<b>KME-1-24-10-LED</b>