

Toothed belt axes ELGR



Electromechanical drives

Selection aid

Overview of toothed belt and spindle axes

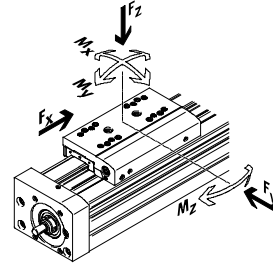
Toothed belt axes

- Speeds of up to 10 m/s
- Acceleration of up to 50 m/s²
- Repetition accuracy of up to ±0.08 mm
- Strokes of up to 8,500 mm (longer strokes on request)
- Flexible motor mounting

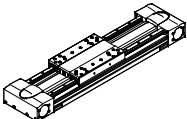
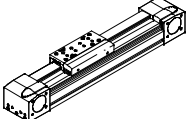
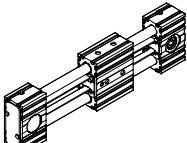
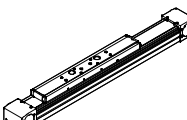
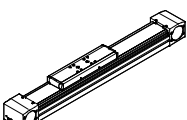
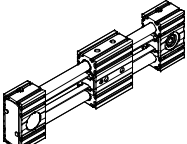
Spindle axes

- Speeds of up to 2 m/s
- Acceleration of up to 20 m/s²
- Repetition accuracy of up to ±0.003 mm
- Strokes of up to 3,000 mm

Coordinate system



Toothed belt axes

Type	F_x [N]	v [m/s]	M_x [Nm]	M_y [Nm]	M_z [Nm]	Properties
Heavy-duty recirculating ball bearing guide						
EGC-HD-TB						
	450 1,000 1,800	3 5 5	140 300 900	275 500 1,450	275 500 1,450	<ul style="list-style-type: none"> • Flat drive unit with rigid, closed profile • Precision, resilient DUO guide rail • Ideal as a basic axis for linear gantries and cantilever axes
Recirculating ball bearing guide						
EGC-TB-KF						
	50 100 350 800 2,500	3 5 5 5 5	3.5 16 36 144 529	10 132 228 680 1,820	10 132 228 680 1,820	<ul style="list-style-type: none"> • Rigid, closed profile • Precision, resilient guide rail • Small drive pinions reduce necessary driving torque • Space-saving position sensing
ELGR-TB						
	50 100 350	3 3 3	2.5 5 15	20 40 124	20 40 124	<ul style="list-style-type: none"> • Cost-optimised rod guide • Ready-to-install unit • Resilient ball bearings for dynamic operation
Roller bearing guide						
ELGA-TB-RF						
	350 800 1,300	10 10 10	11 30 100	40 180 640	40 180 640	<ul style="list-style-type: none"> • Heavy-duty roller bearing guide • Guide and toothed belt protected by cover strip • Speeds of up to 10 m/s • Lower weight than axes with guide rails
Plain-bearing guide						
ELGA-TB-G						
	350 800 1,300	5 5 5	5 10 120	30 60 120	10 20 40	<ul style="list-style-type: none"> • Guide and toothed belt protected by cover strip • For simple handling tasks • As an actuator for external guides • Insensitive to harsh environmental conditions
ELGR-TB-GF						
	50 100 350	1 1 1	1 2.5 1	10 20 40	10 20 40	<ul style="list-style-type: none"> • Cost-optimised rod guide • Ready-to-install unit • Heavy-duty plain bearings for use in harsh environmental conditions

Electromechanical drives

Selection aid

Overview of toothed belt and spindle axes

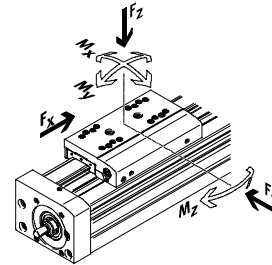
Toothed belt axes

- Speeds of up to 10 m/s
- Acceleration of up to 50 m/s²
- Repetition accuracy of up to ±0.08 mm
- Strokes of up to 8,500 mm (longer strokes on request)
- Flexible motor mounting

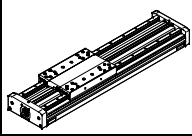
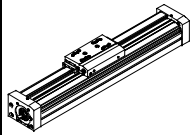
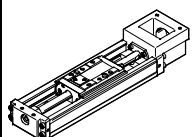
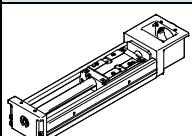
Spindle axes

- Speeds of up to 2 m/s
- Acceleration of up to 20 m/s²
- Repetition accuracy of up to ±0.003 mm
- Strokes of up to 3,000 mm

Coordinate system



Spindle axes

Type	F_x [N]	v [m/s]	M_x [Nm]	M_y [Nm]	M_z [Nm]	Properties
Heavy-duty recirculating ball bearing guide						
EGC-HD-BS						
	300 600 1,300	0.5 1.0 1.5	140 300 900	275 500 1,450	275 500 1,450	<ul style="list-style-type: none"> • Flat drive unit with rigid, closed profile • Precision, resilient DUO guide rail • Ideal as a basic axis for linear gantries and cantilever axes
Recirculating ball bearing guide						
EGC-BS-KF						
	300 600 1,300 3,000	0.5 1.0 1.5 2.0	16 36 144 529	132 228 680 1,820	132 228 680 1,820	<ul style="list-style-type: none"> • Rigid, closed profile • Precision, resilient guide rail • For extremely high requirements for speed, acceleration and torque resistance • Space-saving position sensing
EGSK						
	57 133 184 239 392	0.33 1.10 0.83 1.10 1.48	13 28.7 60 79.5 231	3.7 9.2 20.4 26 77.3	3.7 9.2 20.4 26 77.3	<ul style="list-style-type: none"> • Spindle axes with maximum precision, compactness and rigidity • Recirculating ball bearing guide and ball screw without caged ball bearings • Standard designs in stock
EGSP						
	112 212 466 460	0.6 0.6 2.0 2.0	36.3 81.5 90.3 258	12.5 31.6 32.1 94	12.5 31.6 32.1 94	<ul style="list-style-type: none"> • Spindle axes with maximum precision, compactness and rigidity • Recirculating ball bearing guide with caged ball bearings • Ball screw sizes 33, 46 with caged ball bearings

Toothed belt axes ELGR

Key features

FESTO

At a glance

- Ideal price/performance ratio
- Ready-to-install unit for quick and easy configuration
- Excellent reliability thanks to tested service life of 5,000 km
- Motor assembly possible on 4 sides with identical mounting accessories
- Complete kit for simple and space-saving solution for end-position sensing
- Plain-bearing guide
 - For small loads
 - Operating behaviour with torque load = Average
 - Guide backlash = 0.05 mm (on delivery)
- Recirculating ball bearing guide
 - For medium loads
 - Operating behaviour under torque load = Very good
 - Backlash-free guide (preloaded guide elements)

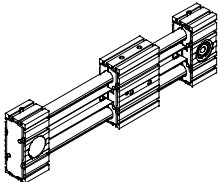
Applications


- Pick and Place with effective loads of up to 15 kg
- Positioning and handling with low process forces
- Actuation of guard doors in processing machines

Characteristic values of the axes

The specifications shown in the table are maximum values.

The precise values for each of the variants can be found in the relevant technical data.

Version	Size	Working stroke [mm]	Speed [m/s]	Repetition accuracy [mm]	Feed force [N]	Guide characteristics				
						Forces and torques				
						Fy [N]	Fz [N]	Mx [Nm]	My [Nm]	Mz [Nm]
	35	50 ... 800	3	±0.1	50	50	50	2.5	20	20
	45	50 ... 1,000	3	±0.1	100	100	100	5	40	40
	55	50 ... 1,500	3	±0.1	350	300	300	15	124	124

-  - Note
 PositioningDrives
 sizing software
www.festo.com

Toothed belt axes ELGR

Key features

Complete system comprising toothed belt axis, motor, motor controller and motor mounting kit

Toothed belt axis with recirculating ball bearing or plain-bearing guide



Motor

→ 20



- 1 Servo motor EMME-AS, EMMS-AS
- 2 Stepper motor EMMS-ST

-  - Note

A range of specially adapted complete solutions is available for the toothed belt axis ELGR and the motors.

Motor controller

Technical data → Internet: motor controller



- 1 Servo motor controller CMMP-AS, CMMS-AS
- 2 Stepper motor controller CMMS-ST

Motor mounting kit

→ 20

Axial kit



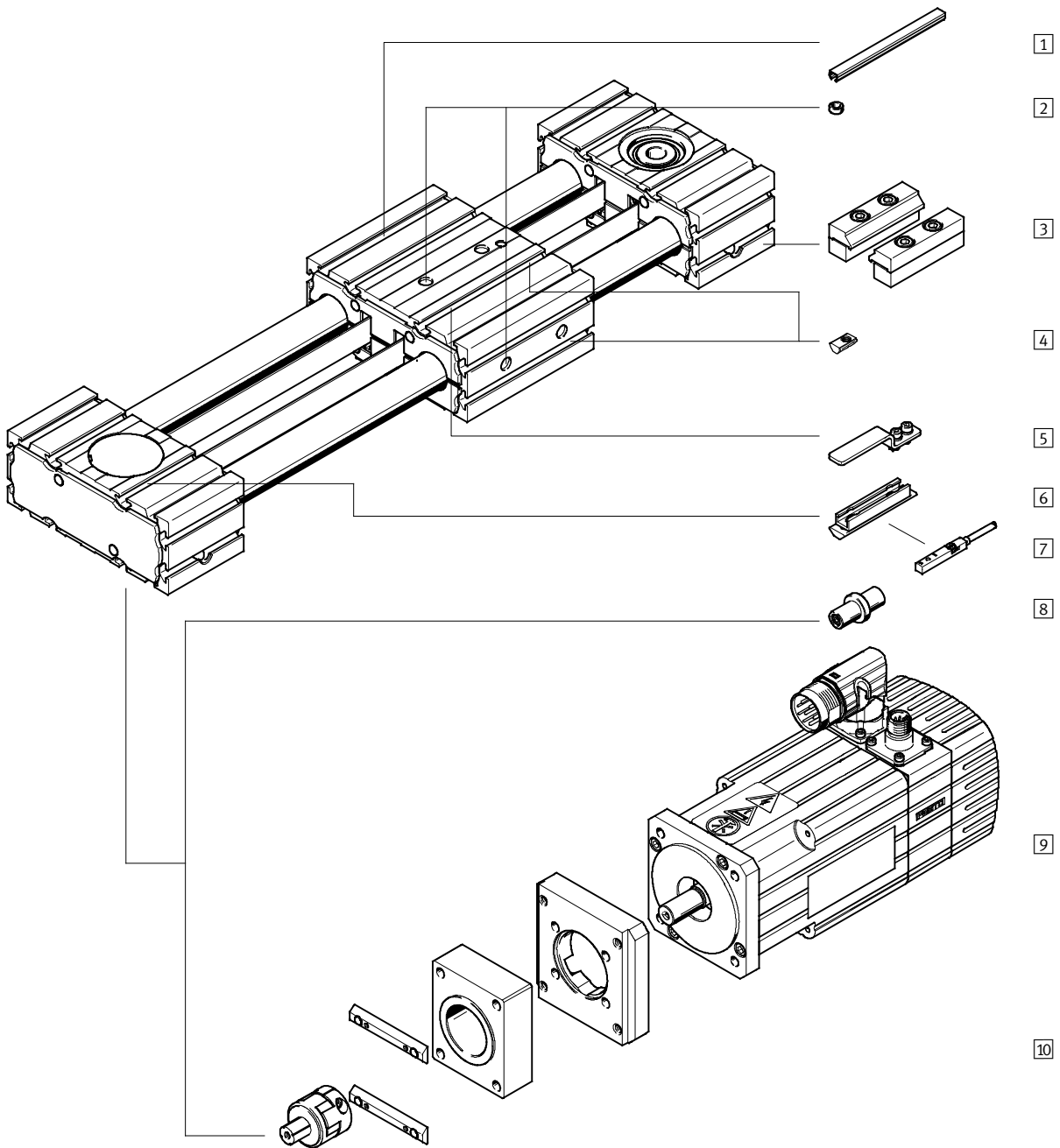
Kit comprising:

- Motor flange
- Coupling housing
- Coupling
- Screws
- Slot nuts

Toothed belt axes ELGR

Peripherals overview

FESTO



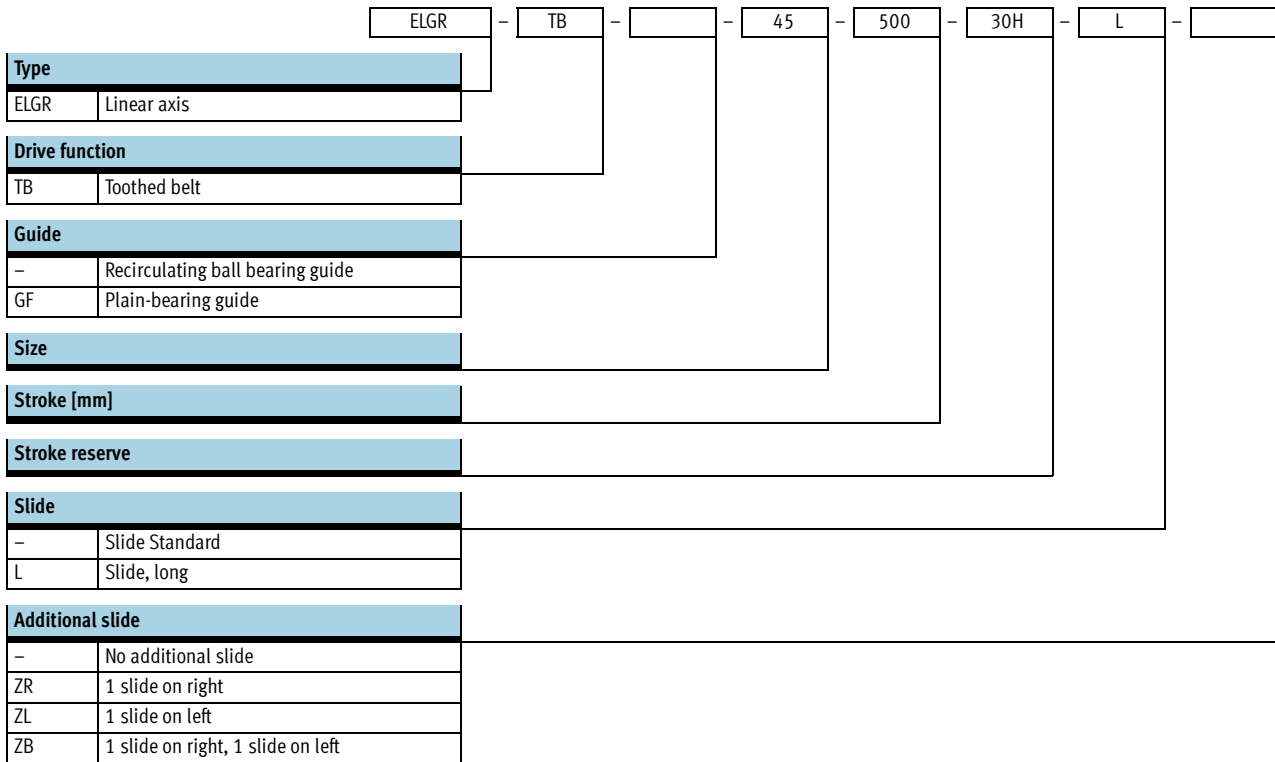
Toothed belt axes ELGR

Peripherals overview

Variants and accessories		
Type	Brief description	→ Page/Internet
1 Slot cover NC	<ul style="list-style-type: none"> For protecting against ingress of dirt 	22
2 Centring sleeve ZBH	<ul style="list-style-type: none"> For centring loads and attachments on the slide 2 centring sleeves included in the scope of delivery of the axis 	22
3 Profile mounting MA	For mounting the axis on the bearing cap	21
4 Slot nut NM	For mounting attachments	22
5 Switching lug SA, SB	For sensing the slide position	21
6 Sensor bracket SA, SB	Adapter for mounting the inductive proximity sensors on the axis	21
7 Proximity sensor, slot type 8 SA, SB	<ul style="list-style-type: none"> Inductive proximity sensor, for slot type 8 The order code SA, SB includes 1 switching lug and 1 sensor bracket in the scope of delivery 	23
8 Drive shaft EA	<ul style="list-style-type: none"> Can be used as an alternative interface if required The axis/motor combinations → 20 do not require a drive shaft 	22
9 Motor EMMS	Motors specially matched to the axis, with or without brake	20
10 Axial kit EAMM	For axial motor mounting (comprising: coupling, coupling housing and motor flange)	20
- Connecting cable NEBU	For proximity sensor (order code SA and SB)	23

Toothed belt axes ELGR

Type codes



Toothed belt axes ELGR

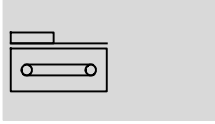
Type codes




→	+	2SA		4NM	EA	2MA
Proximity sensor						
...SA	Proximity sensor (SIES), inductive, slot type 8, PNP, N/O contact, cable 7.5 m					
...SB	Proximity sensor (SIES), inductive, slot type 8, PNP, N/C contact, cable 7.5 m					
Cover						
...NC	For mounting slot					
Slot nut						
...NM	For mounting slot					
Drive shaft						
...EA	Drive shaft					
Profile mounting						
...MA	Profile mounting					

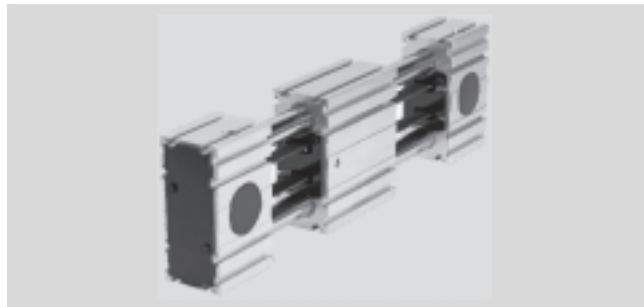
Toothed belt axes ELGR

Technical data

Function



-  Size
35 ... 55
-  Stroke length
50 ... 1,500 mm
-  www.festo.com



General technical data				
Size		35	45	55
Constructional design		Electromechanical linear axis with toothed belt		
Guide		Recirculating ball bearing guide		
		Plain-bearing guide		
Mounting position		Any		
Working stroke	[mm]	50 ... 800	50 ... 1,000	50 ... 1,500
Max. feed force F_x	[N]	50	100	350
Max. no-load torque	[Nm]	0.1	0.2	0.4
Max. driving torque	[Nm]	0.46	1.24	5
Max. no-load resistance to displacement	[N]	10.8	16.1	27.9
Max. speed				
Recirculating ball bearing guide	[m/s]	3		
Plain-bearing guide	[m/s]	1		
Max. acceleration ¹⁾	[m/s ²]	50		
Repetition accuracy	[mm]	±0.1		

1) The max. acceleration is dependent on the moving load, the driving torque and the max. feed force

Operating and environmental conditions			
Ambient temperature			
Recirculating ball bearing guide	[°C]	-10 ... +50	
Plain-bearing guide	[°C]	0 ... +40	
Degree of protection		IP20	
Duty cycle	[%]	100	

Weight [kg]				
Size		35	45	55
Recirculating ball bearing guide				
Basic weight with 0 mm stroke ¹⁾				
Slide standard		1.5	3.2	5.4
Slide long		1.9	4.3	7.4
Additional weight per 1,000 mm stroke		2.5	5.0	7.8
Moving load		0.5	1.1	1.9
Slide				
Slide standard		0.5	1.0	1.8
Slide long		0.8	1.7	3.0
Additional slide		0.4	0.9	1.7

1) Incl. slide

Toothed belt axes ELGR

Technical data

Weight [kg]			
Size	35	45	55
Plain-bearing guide			
Basic weight with 0 mm stroke ¹⁾			
Slide standard	1.4	3.1	5.1
Slide long	1.9	4.3	7.3
Additional weight per 1,000 mm stroke	2.5	5.0	7.8
Moving load	0.4	0.9	1.5
Slide			
Slide standard	0.4	0.9	1.5
Slide long	0.7	1.6	2.8
Additional slide	0.3	0.7	1.3

1) Incl. slide

Toothed belt			
Size	35	45	55
Pitch [mm]	2	3	3
Tensile stress ¹⁾ [%]	0.094	0.08	0.21
Width [mm]	10	15	19.3
Effective diameter [mm]	18.46	24.83	28.65
Feed constant [mm/rev.]	58	78	90

1) At max. feed force

Mass moment of inertia			
Size	35	45	55
J ₀			
Slide standard [kg mm ²]	40.26	155.13	360.48
Slide long [kg mm ²]	66.50	271.52	638.74
J _S per metre stroke [kg mm ² /m]	0.26	1.06	1.88
J _L per kg working load [kg mm ² /kg]	85.19	154.13	205.21
J _W Additional slide [kg mm ²]	36.75	136.55	301.92

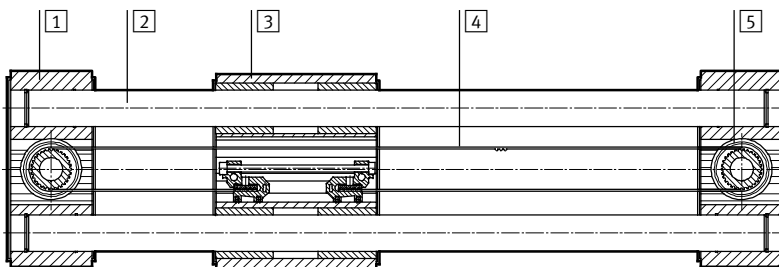
The mass moment of inertia J_A of the entire axis is calculated as follows:

$$J_A = J_0 + K \times J_W + J_S \times \text{working stroke [m]} + J_L \times m_{\text{effective load [kg]}}$$

K = Number of additional slides

Materials

Sectional view



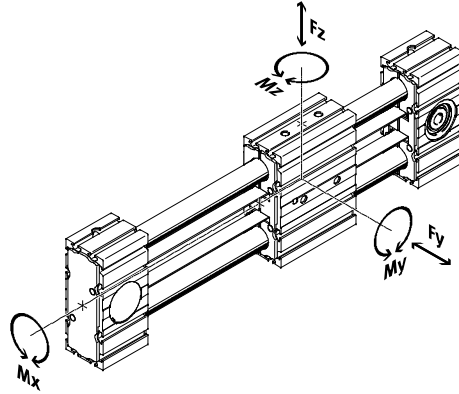
Axis	
1	Bearing cap, profile Wrought aluminium alloy, anodised
2	Guide rods Steel
3	Slide, profile Wrought aluminium alloy, anodised
4	Toothed belt Polychloroprene with glass cord and nylon coating
5	Belt pulley High-alloy stainless steel
Note on materials RoHS-compliant Contains PWIS (paint-wetting impairment substances)	

Toothed belt axes ELGR

Technical data

Characteristic load values

The indicated forces and torques refer to the centre of the guide. The point of application of force is the point where the centre of the guide and the longitudinal centre of the slide intersect. These values must not be exceeded during dynamic operation. Special attention must be paid to the cushioning phase.



If the axis is subjected to more than two of the indicated forces and torques simultaneously, the following equation must be satisfied in addition to the indicated maximum loads:

Calculating the load comparison factor:

$$f_v = \frac{|F_{y,dyn}|}{F_{y,max.}} + \frac{|F_{z,dyn}|}{F_{z,max.}} + \frac{|M_{x,dyn}|}{M_{x,max.}} + \frac{|M_{y,dyn}|}{M_{y,max.}} + \frac{|M_{z,dyn}|}{M_{z,max.}} \leq 1$$

Permissible forces and torques for a service life of 5,000 km

Guide	Plain-bearing guide			Recirculating ball bearing guide		
	35	45	55	35	45	55
F _{y,max.} , F _{z,max.} [N]	50	100	300	50	100	300
Slide standard						
M _{x,max.} [Nm]	1	2.5	5	2.5	5	15
M _{y,max.} [Nm]	4	8	16	8	16	48
M _{z,max.} [Nm]	4	8	16	8	16	48
Slide long						
M _{x,max.} [Nm]	1	2.5	5	2.5	5	15
M _{y,max.} [Nm]	10	20	40	20	40	124
M _{z,max.} [Nm]	10	20	40	20	40	124

Service life

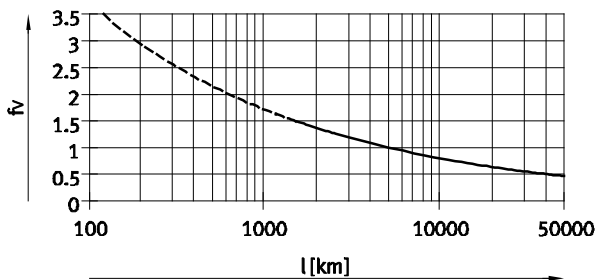
The service life of the guide depends on the load. To provide a rough indication of the service life of the guide, the

graph below plots the load comparison factor f_v against the service life.

This graph only shows theoretical values. Consultation with your local contact person at Festo is mandatory

for load comparison factors f_v greater than 1.5.

Load comparison factor f_v as a function of service life



Example:

A user wants to move an X kg load. Using the above calculation gives a value of 1.5 for the load comparison factor f_v . According to the graph, the guide would have a service life of

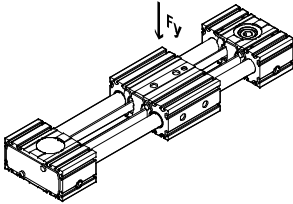
approx. 1,500 km. Reducing the acceleration reduces the Mz and My values. A load comparison factor of 1 now gives a service life of 5,000 km.

Note
PositioningDrives
sizing software
www.festo.com

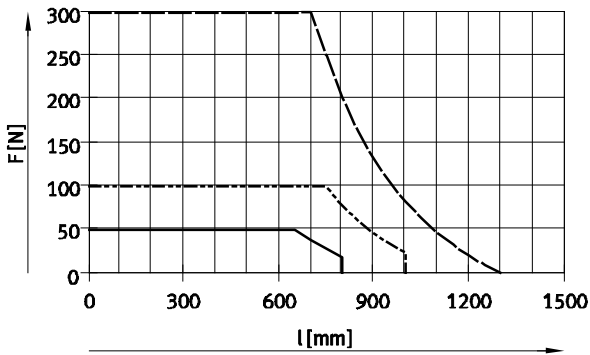
Toothed belt axes ELGR

Technical data

Max. load with flat mounting position



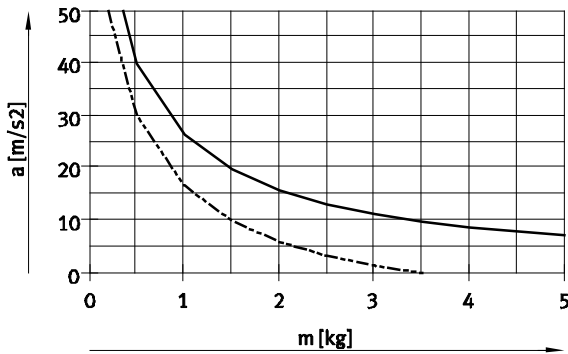
The characteristics in the graph correspond to the max. recommended deflection of 0.5 mm. In this case, the axis can no longer support the maximum load past a certain stroke length.



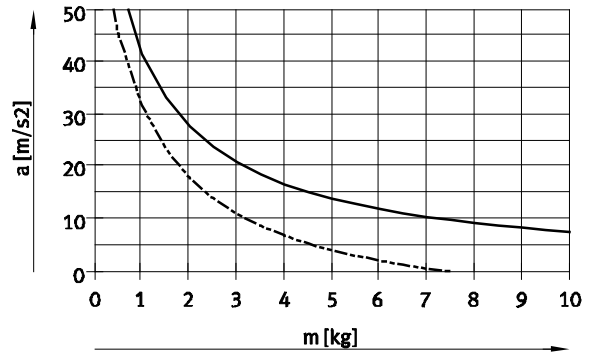
- ELGR-TB-35
- - - ELGR-TB-45
- ELGR-TB-55

Maximum acceleration a as a function of applied load m

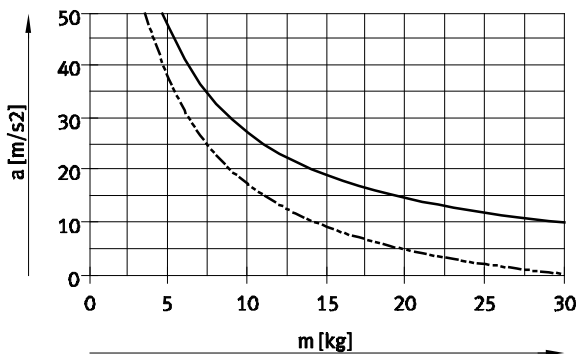
ELGR-35



ELGR-45



ELGR-55



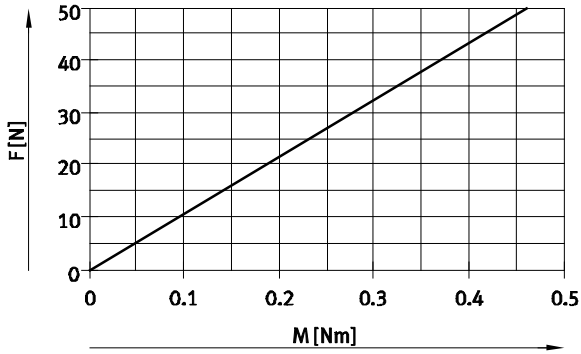
- Horizontal
- - - Vertical

Toothed belt axes ELGR

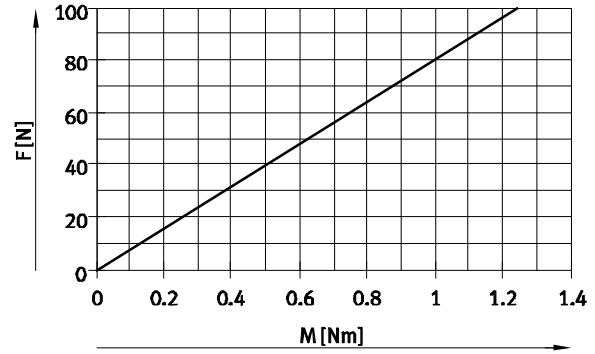
Technical data

Feed force F_x as a function of input torque M

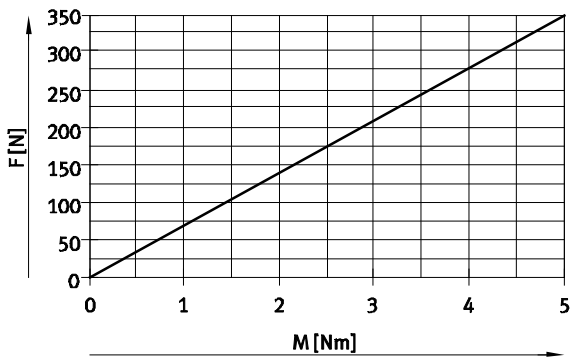
ELGR-35



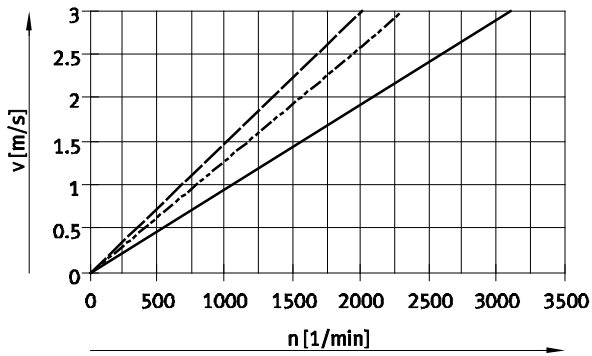
ELGR-45



ELGR-55



Speed v as a function of rotational speed n



- ELGR-TB-35
- - - ELGR-TB-45
- · - ELGR-TB-55

Toothed belt axes ELGR

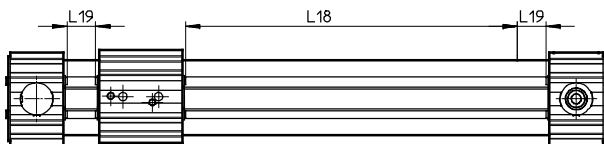
Technical data

Min. nominal stroke

With standard slide or long slide L with additional slide ZR/ZL/ZB

Size	35			45			55		
Variant	-/L	ZR/ZL	ZB	-/L	ZR/ZL	ZB	-/L	ZR/ZL	ZB
Min. nominal stroke [mm]	50	126	202	50	146	242	50	166	282

Stroke reserve



L18 = Nominal stroke

L19 = Stroke reserve

- The stroke reserve is a safety distance available on both sides of the axis in addition to the nominal stroke
- The sum of the stroke length and 2x the stroke reserve must not exceed the maximum working stroke
- The stroke reserve length can be freely selected
- The stroke reserve is defined in the modular product system using the "Stroke reserve" feature.

Example:

Type ELGR-TB-45-500-20H-...

Nominal stroke = 500 mm

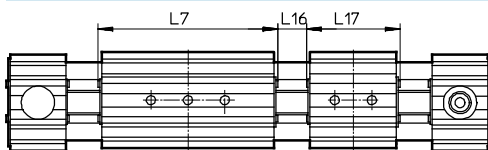
2x stroke reserve = 40 mm

Total stroke = 540 mm

(540 mm = 500 mm + 2x 20 mm)

Working stroke reduction

With standard slide or extra-long slide L with additional slide ZR/ZL/ZB



L7 = Slide length

L16 = Distance between both slides

L17 = Additional slide length

- For a toothed belt axis with additional slide, the working stroke is reduced by the length of the additional slide and the distance between both slides
- When ordering the extra-long slide L variant, the additional slide is not extended

Example:

Type ELGR-TB-35-500-...-ZR

Working stroke without additional slide = 500 mm

L16 = 10 mm

L7, L17 = 76 mm

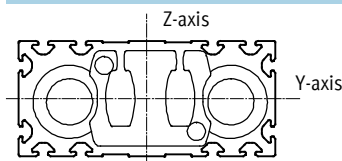
Working stroke with additional slide = 414 mm

(500 mm - 10 mm - 76 mm)

Dimensions – Additional slide

Size	35	45	55
Length L17 [mm]	76	96	116
Distance between the slides L16 [mm]	≥ 0		

2nd moment of area



Size	35	45	55
I _y [mm ⁴]	3.77x10 ³	1.57x10 ⁴	3.83x10 ⁴
I _z [mm ⁴]	1.89x10 ⁵	8.08x10 ⁵	1.85x10 ⁶

Recommended deflection limits

Adherence to a maximum deflection of 0.5 mm is recommended so as not to impair the functional performance

of the axes. Greater deformation can result in increased friction, greater wear and reduced service life.

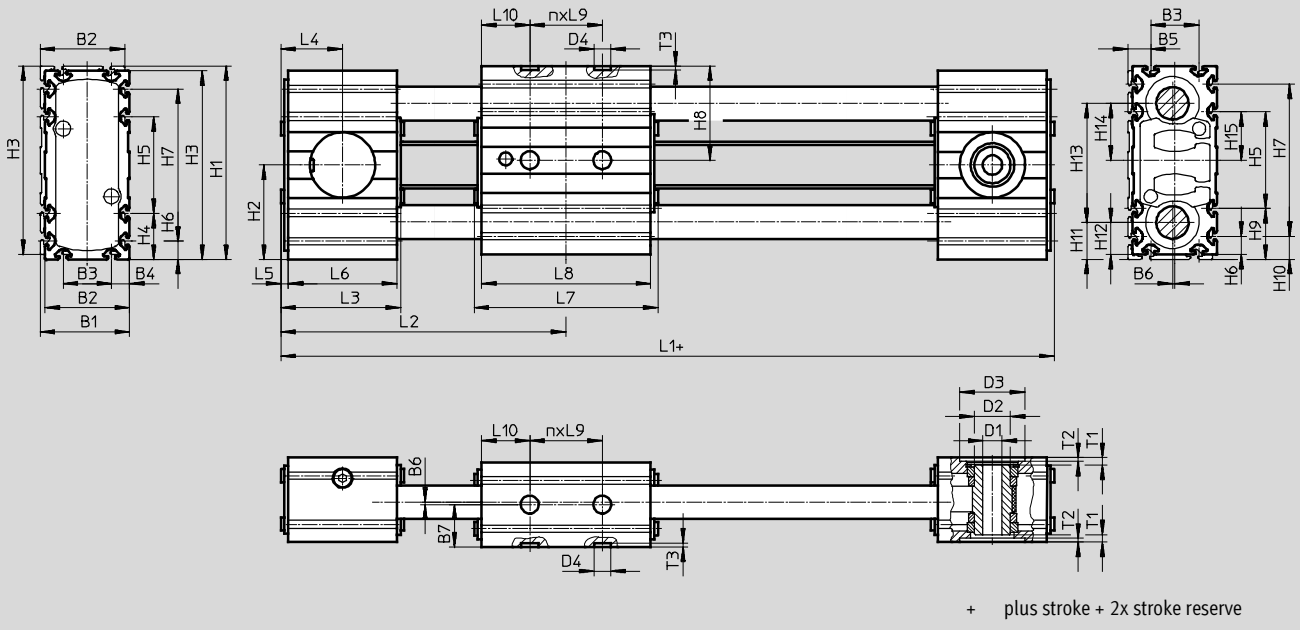
Toothed belt axes ELGR

Technical data

FESTO

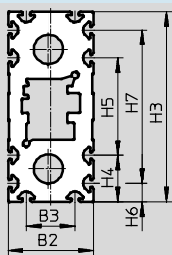
Dimensions

Download CAD data → www.festo.com

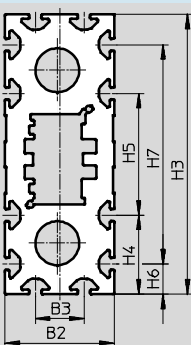


Profile

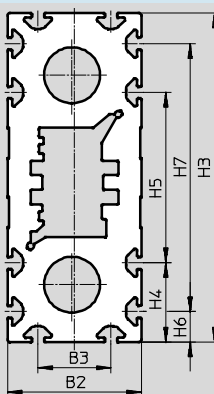
ELGR-35



ELGR-45



ELGR-55



Toothed belt axes ELGR

Technical data

Size	B1	B2	B3	B4	B5	B6	B7	D1 ∅ H7	D2 ∅	D3 ∅ H7	D4 ∅ H7	H1	H2	H3	H4	H5	H6	H7	H8	H9
ELGR-35	37	35	20	7.5	9.5	1	17.5	8	15	27	7	80	39	78	19	40	7.5	63	39	21
ELGR-35-L																				
ELGR-45	47	45	20	12.5	14.5		22.5	10	20	38		117	57.5	115	32.5	50	12.5	90	57.5	34.5
ELGR-45-L																				
ELGR-55	57	55	30	12.5	14.5	27.5	16	25	48	137	67.5	135	32.5	70	12.5	110	67.5	34.5		
ELGR-55-L																				

Size	H10	H11	H12	H13	H14	H15	L1	L2	L3	L4	L5	L6	L7	L8	L9	L10	n	T1	T2	T3 +0.1
ELGR-35	9.5	15.5	13.5	49	23.5	20	178	89	51	25.5	3	45	76	70	30	20	1	3.1	1.6	1.6
ELGR-35-L							248	124					146	140		40	2			
ELGR-45	14.5	23	21	71	34.5	25	219	108	60	30		54	96	90	40	25	1	3	1.7	
ELGR-45-L							309	153			186		180	50		2				
ELGR-55	14.5	25.5	23.5	86	42	35	243	120	62	31	56	116	110	40	35	1	4.5	2		
ELGR-55-L							353	175				226	220		70	2				

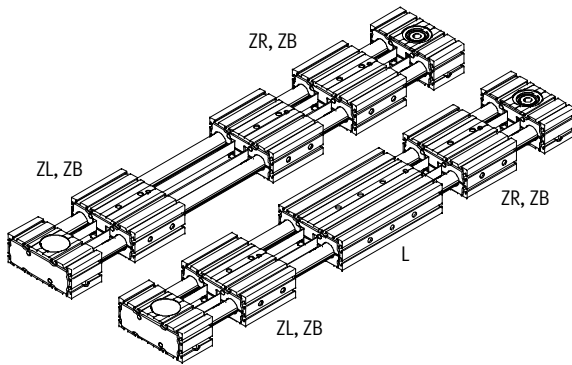
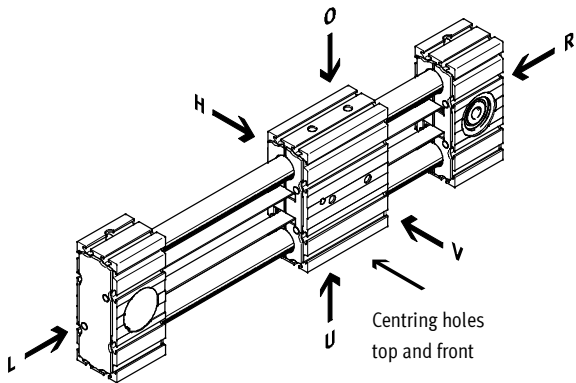
Toothed belt axes ELGR

Ordering data – Modular products

FESTO

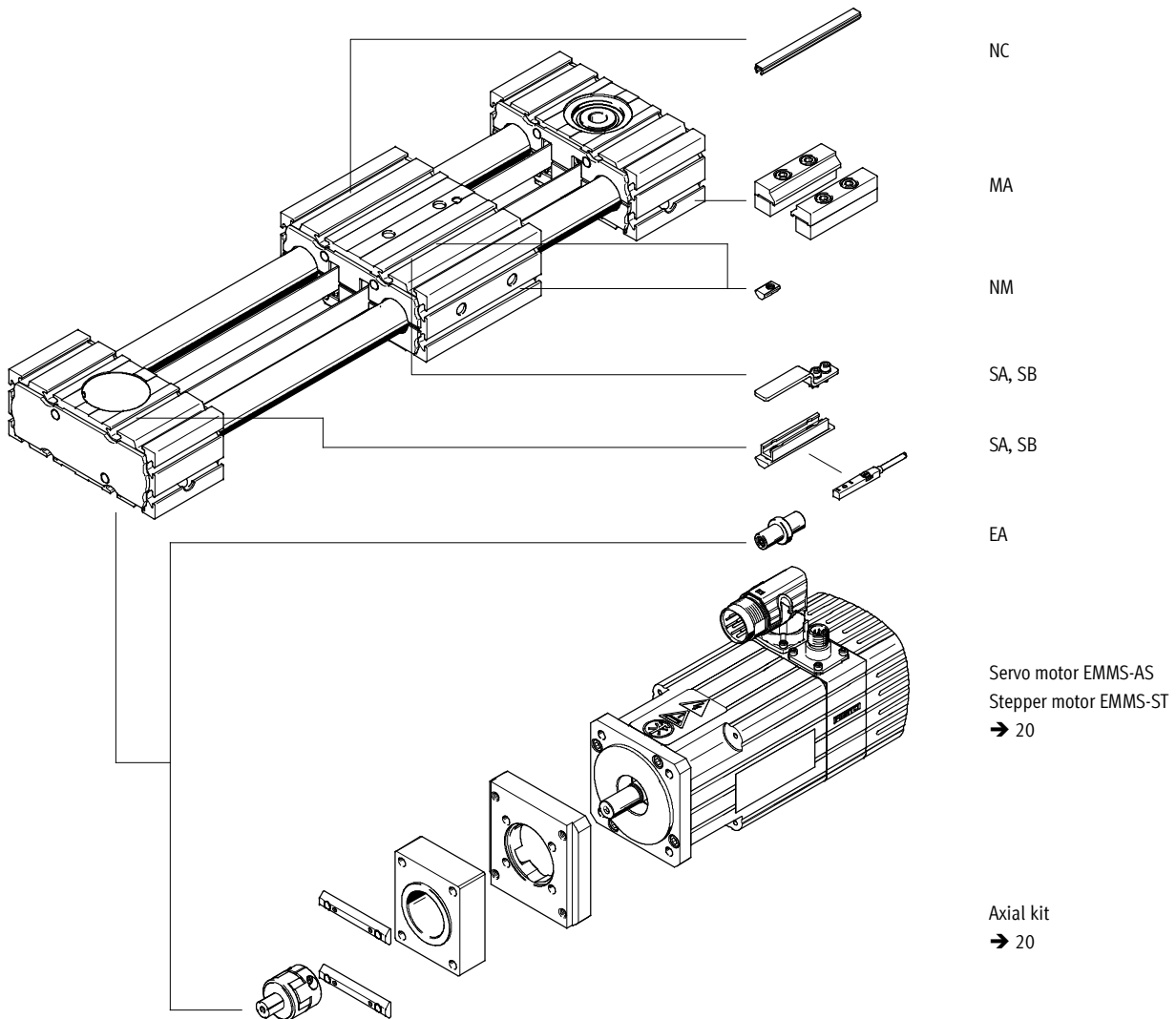
Order code

Mandatory data



O top L left
 U underneath V front
 R right H rear

Accessories



Toothed belt axes ELGR

Ordering data – Modular products

Ordering table						
Size	35	45	55	Condi- tions	Code	Enter code
M Module No.	560505	560506	560507			
Design	Linear axis				ELGR	ELGR
Drive type	Toothed belt				-TB	-TB
O Guide	Recirculating ball bearing guide					
	Plain-bearing guide				-GF	
M Sizes	35	45	55		-...	
Stroke length [mm]	50 ... 800	50 ... 1,000	50 ... 1,500	1	-...	
Stroke reserve [mm]	0 ... 999 (0 = no stroke reserve)			1	-...H	
O Slide design	Standard slide					
	Slide, long				-L	
Additional slide	No additional slide					
	1 slide on right			2	-ZR	
	1 slide on left			2	-ZL	
	1 slide on right, 1 slide on left			2	-ZB	
Accessories	Accessories enclosed separately				+	+
Proximity sensor (SIES), inductive, slot type 8, PNP, N/O contact, cable 7.5 m, incl. switching lug and sensor bracket	1 ... 6				...SA	
Proximity sensor (SIES), inductive, slot type 8, PNP, N/C contact, cable 7.5 m, incl. switching lug and sensor bracket	1 ... 6				...SB	
Mounting slot cover	-	1 ... 50 (1=2 pieces, 500 mm in length)			...NC	
Slot nut for mounting slot	1 ... 99				...NM	
Drive shaft	1 ... 4				...EA	
Profile mounting	1 ... 2				...MA	

- 1** -... The sum of the stroke length and 2x the stroke reserve in mm must not exceed the maximum stroke length
- 2** ZR, ZL, ZB Working stroke reduction → 15

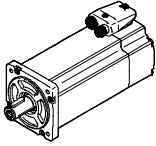
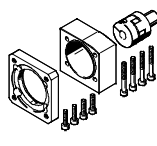
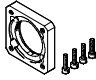
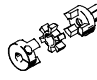
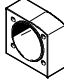
Size	35			45			55		
Variant	-/L	ZR/ZL	ZB	-/L	ZR/ZL	ZB	-/L	ZR/ZL	ZB
Min. nominal stroke [mm]	50	126	202	50	146	242	50	166	282

Transfer order code

Toothed belt axes ELGR

Accessories

FESTO

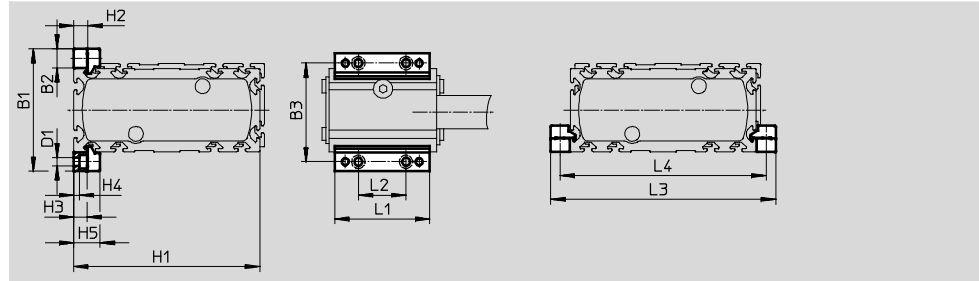
Permissible axis/motor combinations with axial kit – Without gear unit					Technical data → Internet: eamm-a
Motor	Axial kit	Axial kit consisting of:			
		Motor flange	Coupling	Coupling housing	
					
Type	Part No. Type	Part No. Type	Part No. Type	Part No. Type	
ELGR-35					
With servo motor					
EMMS-AS-55-...	1133400 EAMM-A-R27-55A	558176 EAMF-A-38A-55A	557999 EAMD-19-15-9-8X10	1133397 EAMK-A-R27-38A	
With stepper motor					
EMMS-ST-57-...	1133403 EAMM-A-R27-57A	560692 EAMF-A-38A-57A	561292 EAMD-16-15-6.35-8X10	1133397 EAMK-A-R27-38A	
ELGR-45					
With servo motor					
EMME-AS-60-...	2224996 EAMM-A-R38-60P	1987412 EAMF-A-38A-60P	1453861 EAMD-28-22-14-10X12	1133398 EAMK-A-R38-38A	
EMMS-AS-70-...	1133401 EAMM-A-R38-70A	558018 EAMF-A-38A-70A	558000 EAMD-25-22-11-10X12	1133398 EAMK-A-R38-38A	
With stepper motor					
EMMS-ST-57-...	1578138 EAMM-A-R38-57A	560692 EAMF-A-38A-57A	561293 EAMD-25-22-6.35-10X12	1133398 EAMK-A-R38-38A	
EMMS-ST-87-...	1133404 EAMM-A-R38-87A	560693 EAMF-A-38A-87A	558000 EAMD-25-22-11-10X12	1133398 EAMK-A-R38-38A	
ELGR-55					
With servo motor					
EMMS-AS-70-...	1578139 EAMM-A-R48-70A	558025 EAMF-A-48A-70A	558001 EAMD-32-32-11-16X20	1133399 EAMK-A-R48-48A	
EMME-AS-80-...	2225090 EAMM-A-R48-80P	2043427 EAMF-A-48A-80P	558002 EAMD-42-40-19-16X25	1133399 EAMK-A-R48-48A	
EMME-AS-100-...	1133402 EAMM-A-R48-100A	558020 EAMF-A-48A-100A	558002 EAMD-42-40-19-16X25	1133399 EAMK-A-R48-48A	
EMMS-AS-100-...	1133402 EAMM-A-R48-100A	558020 EAMF-A-48A-100A	558002 EAMD-42-40-19-16X25	1133399 EAMK-A-R48-48A	
With stepper motor					
EMMS-ST-87-...	1133405 EAMM-A-R48-87A	560695 EAMF-A-48A-87A	558001 EAMD-32-32-11-16X20	1133399 EAMK-A-R48-48A	

Toothed belt axes ELGR

Accessories

Profile mounting MUE (order code MA)

Material:
Anodised aluminium
Conforms to RoHS

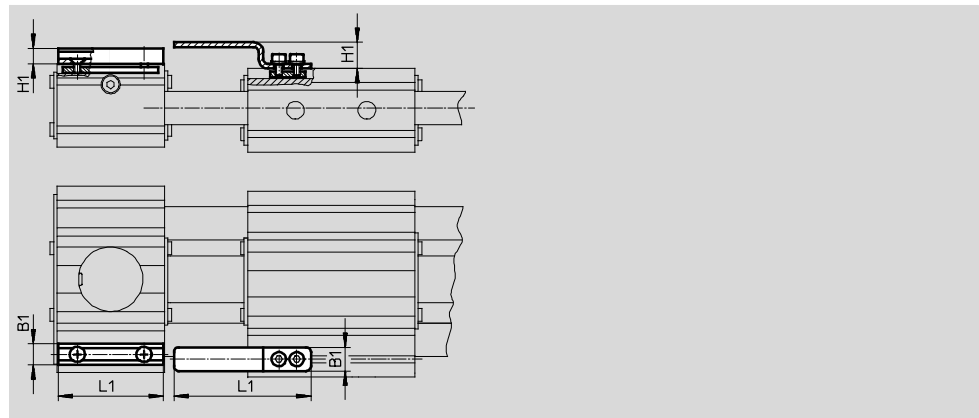


Dimensions and ordering data								
For size	B1	B2	B3	D1 ∅	H1	H2	H3	H4
35	51	8	43	3.4	78	6	5.5	2.3
45	69	12	57	5.5	115	10	9	3.2
55	79	12	67	5.5	135	10	9	3.2

For size	H5	L1	L2	L3	L4	Weight [g]	Part No.	Type
35	11	40	20	94	86	20	558042	MUE-50
45	17.5	52	40	139	127	32	562238	MUE-45
55	17.5	52	40	159	147	32	562238	MUE-45

Sensor bracket EAPM-...-SHS, switch lug EAPM-...-SLS (order code SA/SB)

Materials:
Switch lug: Galvanised steel
Sensor bracket: Anodised wrought
aluminium alloy
Conforms to RoHS



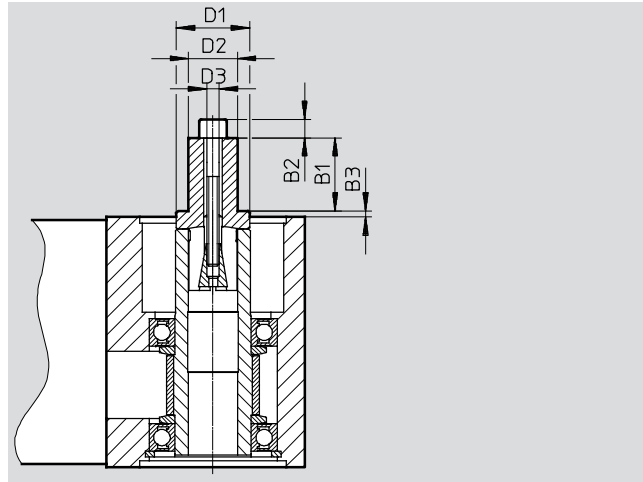
Dimensions and ordering data							
For size	B1	H1	L1	Weight [g]	Part No.	Type	
Sensor bracket							
35, 45, 55	9	6.5	44	20	567537	EAPM-L4-SHS	
Switch lug							
35, 45, 55	10	11	57.5	15	567538	EAPM-L4-SLS	

Toothed belt axes ELGR



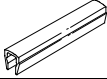
Accessories

FESTO

Drive shaft EAMB
Alternative interface
(order code EA)



Dimensions and ordering data									
For size	B1	B2	B3	D1 ∅	D2 ∅	D3	Weight [g]	Part No.	Type
35	12	3	3,9	16	8	M4	20	558034	EAMB-16-7-8X15-8X10
45	12	4	6	18	8	M5	29	558035	EAMB-18-9-8X16-10X12
55	21	-	1,5	24	15	M6	70	558036	EAMB-24-6-15X21-16X20

Ordering data						
	For size	Comment	Order code	Part No.	Type	PU ¹⁾
Slot nut NST						
	35	For mounting slot	NM	558045	NST-3-M3	1
	45, 55			150914	NST-5-M5	
Centring sleeve ZBH²⁾						
	35, 45, 55	For slide	-	186717	ZBH-7	10
Slot cover ABP						
	45, 55	For mounting slot every 0.5 m	NC	151681	ABP-5	2

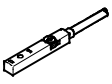
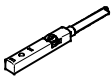
1) Packaging unit

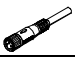

2) 2 centring sleeves included in the scope of delivery of the axis

Toothed belt axes ELGR

Accessories

FESTO

Ordering data – Proximity sensors for T-slot, inductive						Technical data → Internet: sies	
	Type of mounting	Electrical connection	Switching output	Cable length [m]	Order code	Part No.	Type
N/O contact							
	Insertable in the slot from above, flush with the cylinder profile	Cable, 3-wire	PNP	7.5	SA	551386	SIES-8M-PS-24V-K-7,5-OE
		Plug M8x1, 3-pin		0.3	–	551387	SIES-8M-PS-24V-K-0,3-M8D
		Cable, 3-wire	NPN	7.5	–	551396	SIES-8M-NS-24V-K-7,5-OE
		Plug M8x1, 3-pin		0.3	–	551397	SIES-8M-NS-24V-K-0,3-M8D
N/C contact							
	Insertable in the slot from above, flush with the cylinder profile	Cable, 3-wire	PNP	7.5	SB	551391	SIES-8M-PO-24V-K-7,5-OE
		Plug M8x1, 3-pin		0.3	–	551392	SIES-8M-PO-24V-K-0,3-M8D
		Cable, 3-wire	NPN	7.5	–	551401	SIES-8M-NO-24V-K-7,5-OE
		Plug M8x1, 3-pin		0.3	–	551402	SIES-8M-NO-24V-K-0,3-M8D

Ordering data – Connecting cables				Technical data → Internet: nebu	
	Electrical connection, left	Electrical connection, right	Cable length [m]	Part No.	Type
	Straight socket, M8x1, 3-pin	Cable, open end, 3-wire	2.5	541333	NEBU-M8G3-K-2.5-LE3
			5	541334	NEBU-M8G3-K-5-LE3
	Angled socket, M8x1, 3-pin	Cable, open end, 3-wire	2.5	541338	NEBU-M8W3-K-2.5-LE3
			5	541341	NEBU-M8W3-K-5-LE3