

Guide units EAGF for electric cylinders



Guide units EAGF for electric cylinders

Key features

At a glance

The guide unit EAGF is used to protect electric cylinders from torsion when these are subjected to high torque loads.

It offers high precision guidance for workpiece handling and other handling applications.

For electric cylinder ESBF



Type codes

EAGF – V2 – KF – 63 – 100

Type

EAGF	Guide unit
------	------------

Design

V2	For electric cylinder ESBF
----	----------------------------

Guide

KF	Recirculating ball bearing guide
----	----------------------------------

Size


63	63 mm
80	80 mm
100	100 mm

Stroke [mm]


100	100 mm
200	200 mm
320	320 mm
400	400 mm
...	1 ... 500 mm

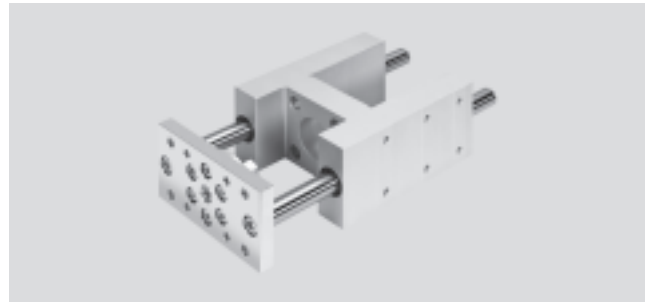
Guide units EAGF for electric cylinders

Technical data

 Diameter
63 ... 100 mm

 www.festo.com

 Stroke length
1 ... 500 mm

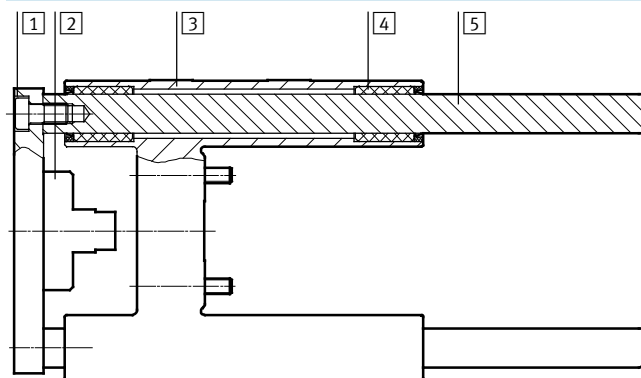


General technical data		63	80	100
Size		63	80	100
Stroke	[mm]	1 ... 500		
Design		Guide		
Guide		Recirculating ball bearing guide		
Reversing backlash	[µm]	0		
Type of mounting		Via female thread		
Mounting position		Any		
Ambient temperature	[°C]	-20 ... +80 °C		

Weight [g]		63	80	100
Size		63	80	100
Basic weight with 0 mm stroke		5,525	10,517	13,263
Additional weight per 10 mm stroke		49	76	76
Moving load with 0 mm stroke		2,560	5,166	6,148
Additional load per 10 mm stroke		49	76	76

Materials

Sectional view

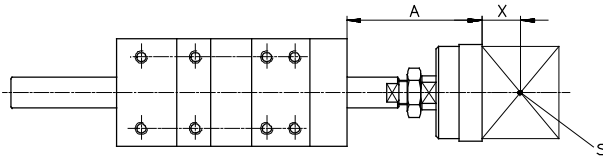


Guide unit		
1	Yoke plate	Steel
2	Guide element	Steel
3	Housing	Anodised wrought aluminium alloy
4	Bearing	Steel
5	Guide rod	Steel
-	Note on materials	Free of copper and PTFE RoHS-compliant

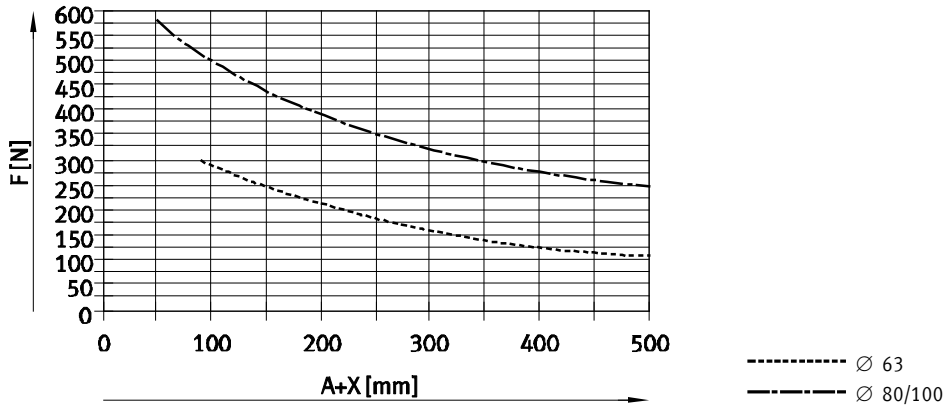
Guide units EAGF for electric cylinders

Technical data

Max. effective load F as a function of projection A

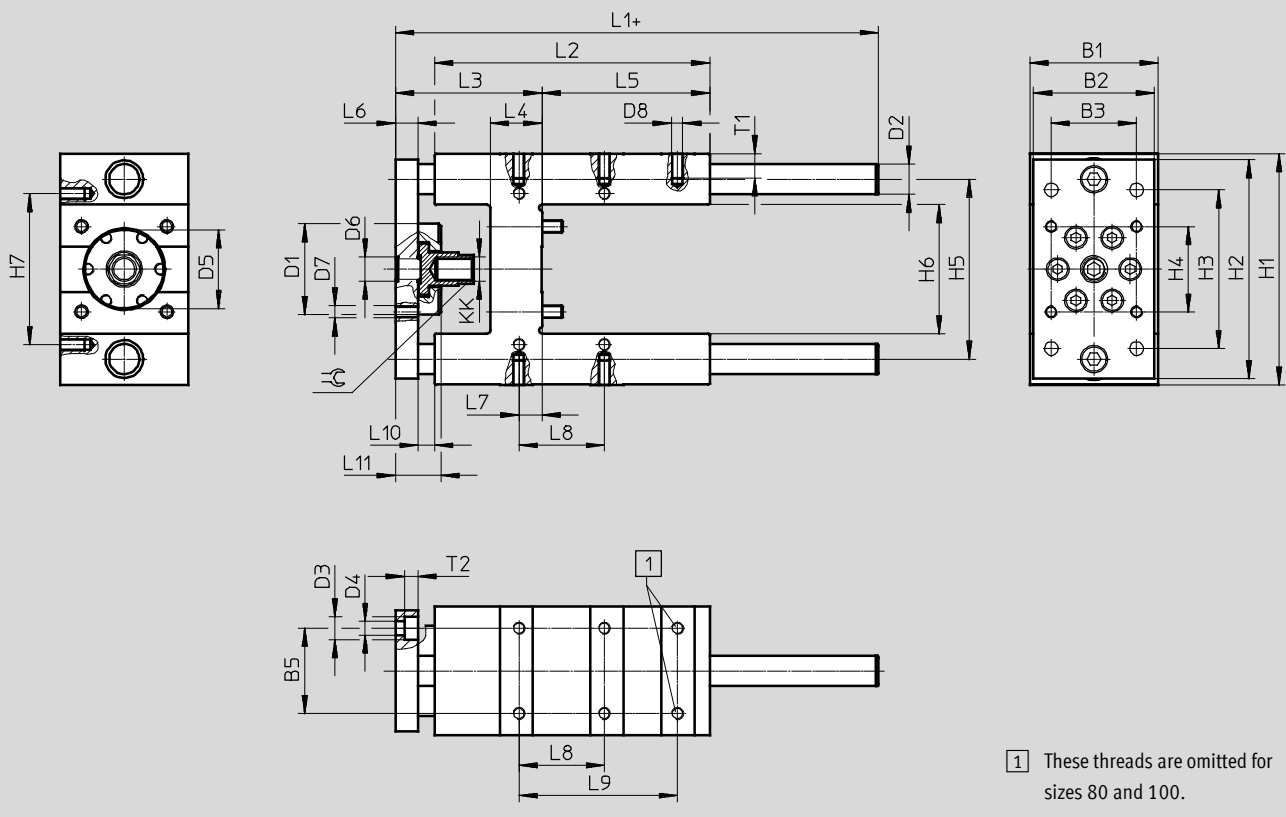


- A = Projection
- X = Distance to centre of gravity of effective load
- S = Centre of gravity of effective load



Dimensions

Download CAD data → www.festo.com



Guide units EAGF for electric cylinders

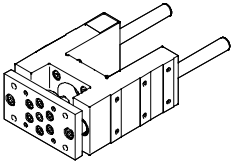
Technical data

FESTO

Size	B1 -0.3	B2	B3 ±0.2	B5 ±0.2	D1 ∅	D2 ∅ h6	D3 ∅	D4 ∅	D5 ∅ H8	D6	D7
63	85	80	56.5	56.5	60	20	15	9	52	M16	M8
80	105	100	72	72	78	25	18	11	60	M18	M10
100	130	120	89	89	78	25	18	11	70	M18	M10

Size	D8	H1 -0.5	H2	H3 ±0.2	H4 ±0.2	H5 ±0.2	H6	H7 ±0.2	KK	L1 ±1	L2
63	M8	153	145	105	56.5	119	85.5±0.3	100	M16x1.5	219.8	182
80	M10	189	180	130	72	148	106+1/-0.6	130	M20x1.5	257.8	215
100	M10	213	200	150	89	172	131+1/-0.6	150	M20x1.5	262.8	220

Size	L3	L4	L5	L6	L7	L8 ±0.2	L9 ±0.2	L10	L11	T1	T2	≈C1
63	96.6	34	111	15	15.3	56.5	105	11	30	16	9	19
80	121.6	40	128	20	21	72	-	15	39	20	11	27
100	126.6	40	128	20	24.5	89	-	15	39	20	11	27

Ordering data			Part No.	Type
Guide unit	Size	Stroke [mm]		
	63	100	1725842	EAGF-V2-KF-63-100
		200	1725843	EAGF-V2-KF-63-200
		320	1725844	EAGF-V2-KF-63-320
		400	1725845	EAGF-V2-KF-63-400
		1 ... 500	2608521	EAGF-V2-KF-63-
	80	100	1725846	EAGF-V2-KF-80-100
		200	1725847	EAGF-V2-KF-80-200
		320	1725848	EAGF-V2-KF-80-320
		400	1725849	EAGF-V2-KF-80-400
		1 ... 500	2608528	EAGF-V2-KF-80-
	100	100	1725850	EAGF-V2-KF-100-100
		200	1725851	EAGF-V2-KF-100-200
		320	1725852	EAGF-V2-KF-100-320
		400	1725853	EAGF-V2-KF-100-400
		1 ... 500	2608532	EAGF-V2-KF-100-