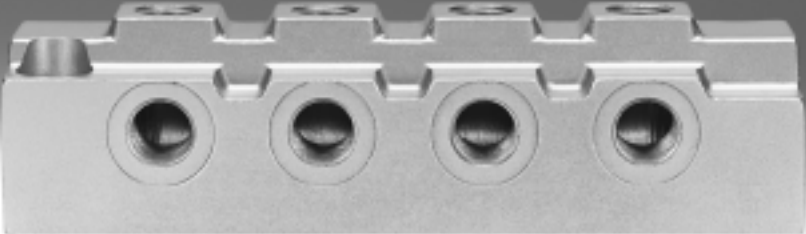




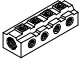


Distribution manifolds FR



Distribution manifolds FR

Product range overview

FESTO

Series	Design	Type	Pneumatic connection		Number of		→ Page/ Internet
			Supply line	Outlet	Supply lines	Outlets	
Distribution manifold	With 4 connections						
		FR-4	G1/8	G1/8	1	3	3
			G1/4	G1/4			
			G3/8	G3/8			
			G1/2	G1/2			
		FR-4-1/4	G1/4	G1/4	1	3	3
	With 8 connections						
		FR-8	G3/8	G1/8	2	8	4
			G1/2	G1/4			
			G3/4	G1/2			
	With 9 connections						
		FR-9	G1/8	M3	1	9	5
With 12 connections							
	FR-12	G1/8	M5	2	12	5	

Operating and environmental conditions						
Type	FR-4	FR-4-1/4	FR-8	FR-9	FR-12	
Operating pressure [bar]	0 ... 16					
Operating medium	Compressed air according to ISO 8573-1:2010 [7:-:-]					
Note on operating/pilot medium	Lubricated operation possible (in which case lubricated operation will always be required)					
Ambient temperature [°C]	-10 ... +80		-10 ... +60		-10 ... +60	
Corrosion resistance class CRC ¹⁾	-	2	-	2	2	

1) Corrosion resistance class CRC 2 to Festo standard FN 940070

Moderate corrosion stress. Indoor applications in which condensation may occur. External visible parts with primarily decorative requirements for the surface and which are in direct contact with the ambient atmosphere typical for industrial applications.

Distribution manifolds FR

Technical data

Distribution manifold FR-4

No. of supply lines: 1

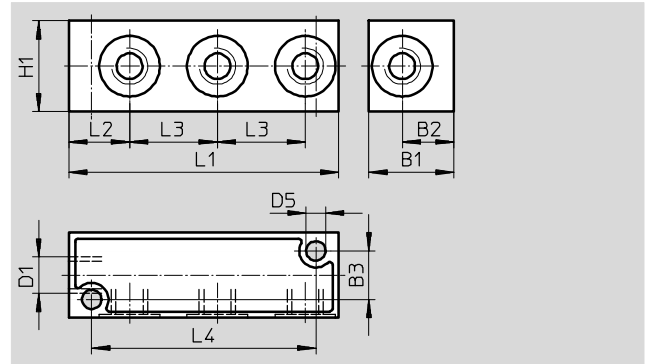
No. of outlets: 3

Material:

Die-cast aluminium

Note on materials:

RoHS-compliant



Dimensions and ordering data															
Connection supply line D1	Nominal size [mm]	Connection outlet D1	B1	B2	B3	D5	H1	L1	L2	L3	L4	Weight [g]	Part No.	Type	PU*
G $\frac{1}{8}$	8.6	G $\frac{1}{8}$	20	11.6	13	4.4	17	56	13.5	17	46	25	6701	FR-4- $\frac{1}{8}$ -B	1
G $\frac{1}{4}$	11.5	G $\frac{1}{4}$	28	17	16	6.4	30	89	20	29	74	60	7849	FR-4- $\frac{1}{4}$ -C	1
G $\frac{3}{8}$	15	G $\frac{3}{8}$	32	19	20	6.4	26	85	20	26	72	75	6703	FR-4- $\frac{3}{8}$ -B	1
G $\frac{1}{2}$	18.6	G $\frac{1}{2}$	38	22	25	6.4	32	105	25	32	90	120	6704	FR-4- $\frac{1}{2}$ -B	1

* Packaging unit quantity

Distribution manifold FR-4- $\frac{1}{4}$

No. of supply lines: 1

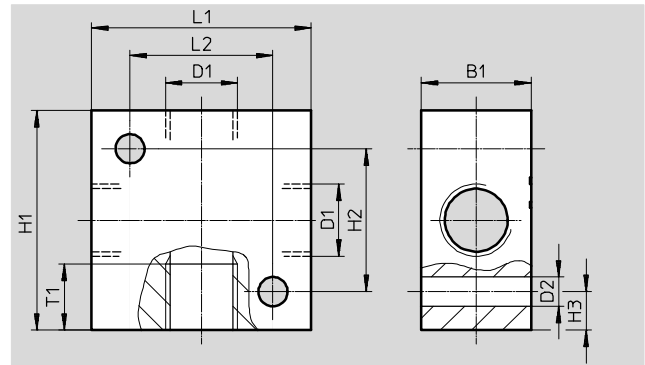
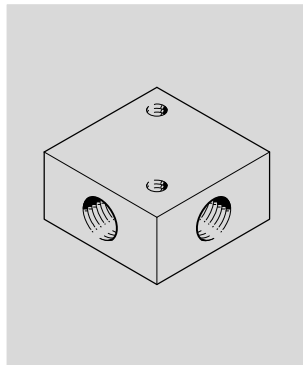
No. of outlets: 3

Material:

Anodised aluminium

Note on materials:

RoHS-compliant



Dimensions and ordering data														
Connection supply line D1	Nominal size [mm]	Connection outlet D1	B1	D2 \varnothing	H1	H2	H3	L1	L2	T1	Weight [g]	Part No.	Type	PU*
G $\frac{1}{4}$	11.5	G $\frac{1}{4}$	20	5.3	40	26	7	40	26	12	68	2960	FR-4- $\frac{1}{4}$	1

* Packaging unit quantity

Distribution manifolds FR

Technical data



Distribution manifold FR-8

No. of supply lines: 2, including one sealed with a blanking plug

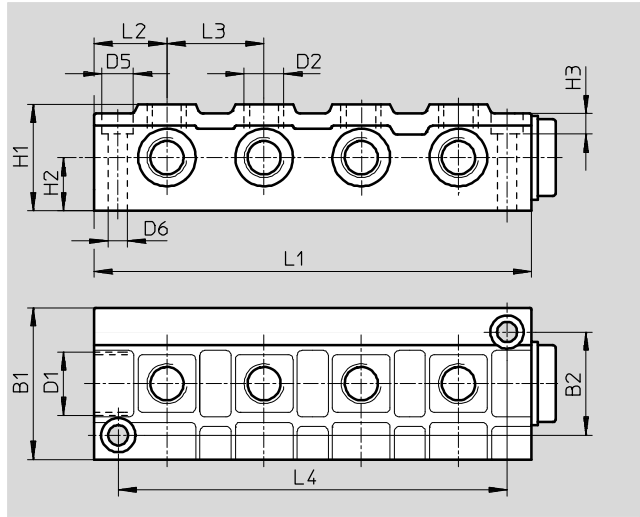
No. of outlets: 8

Material:

Die-cast aluminium

Note on materials:

RoHS-compliant



Dimensions and ordering data																	
Connection supply line	Nominal size	Connection outlet	B1	B2	D5	D6	H1	H2	H3	L1	L2	L3	L4	Weight	Part No.	Type	PU*
D1	[mm]	D2			∅	∅								[g]			
G $\frac{3}{8}$	8.6	G $\frac{1}{8}$	40	26	11	6.6	30	15	6.8	114	22.5	23	100	135	2077	FR-8- $\frac{1}{8}$	1
G $\frac{1}{2}$	11.5	G $\frac{1}{4}$	50	34	11	6.6	35	17.5	6.8	144	24	32	128	230	2078	FR-8- $\frac{1}{4}$	1
G $\frac{3}{4}$	18.6	G $\frac{1}{2}$	60	40	15	9	45	22.5	9	170	31	36	150	1000	6411	FR-8- $\frac{1}{2}$	1

* Packaging unit quantity

Distribution manifolds FR

Technical data

Distribution manifold FR-9

No. of supply lines: 1

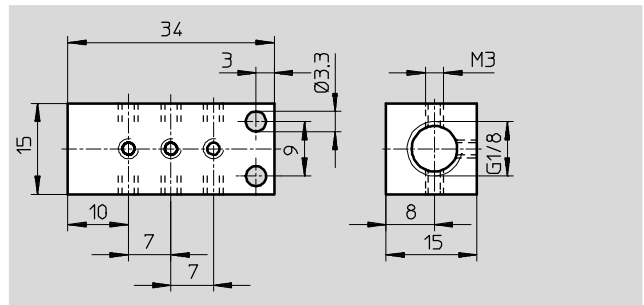
No. of outlets: 9

Material:

Anodised aluminium

Note on materials:

RoHS-compliant



Dimensions and ordering data						
Connection supply line	Nominal size [mm]	Connection outlet	Weight [g]	Part No.	Type	PU*
G1/8	2.5	M3	15	30981	FR-9-M3-B	1

* Packaging unit quantity

Distribution manifold FR-12

No. of supply lines: 2, including one sealed with a blanking plug

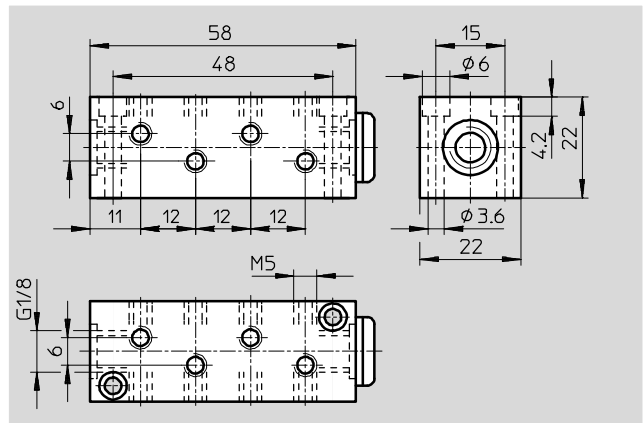
No. of outlets: 12

Material:

Anodised aluminium

Note on materials:

RoHS-compliant



Dimensions and ordering data						
Connection supply line	Nominal size [mm]	Connection outlet	Weight [g]	Part No.	Type	PU*
G1/8	4.1	M5	40	4525	FR-12-M5	1

* Packaging unit quantity