

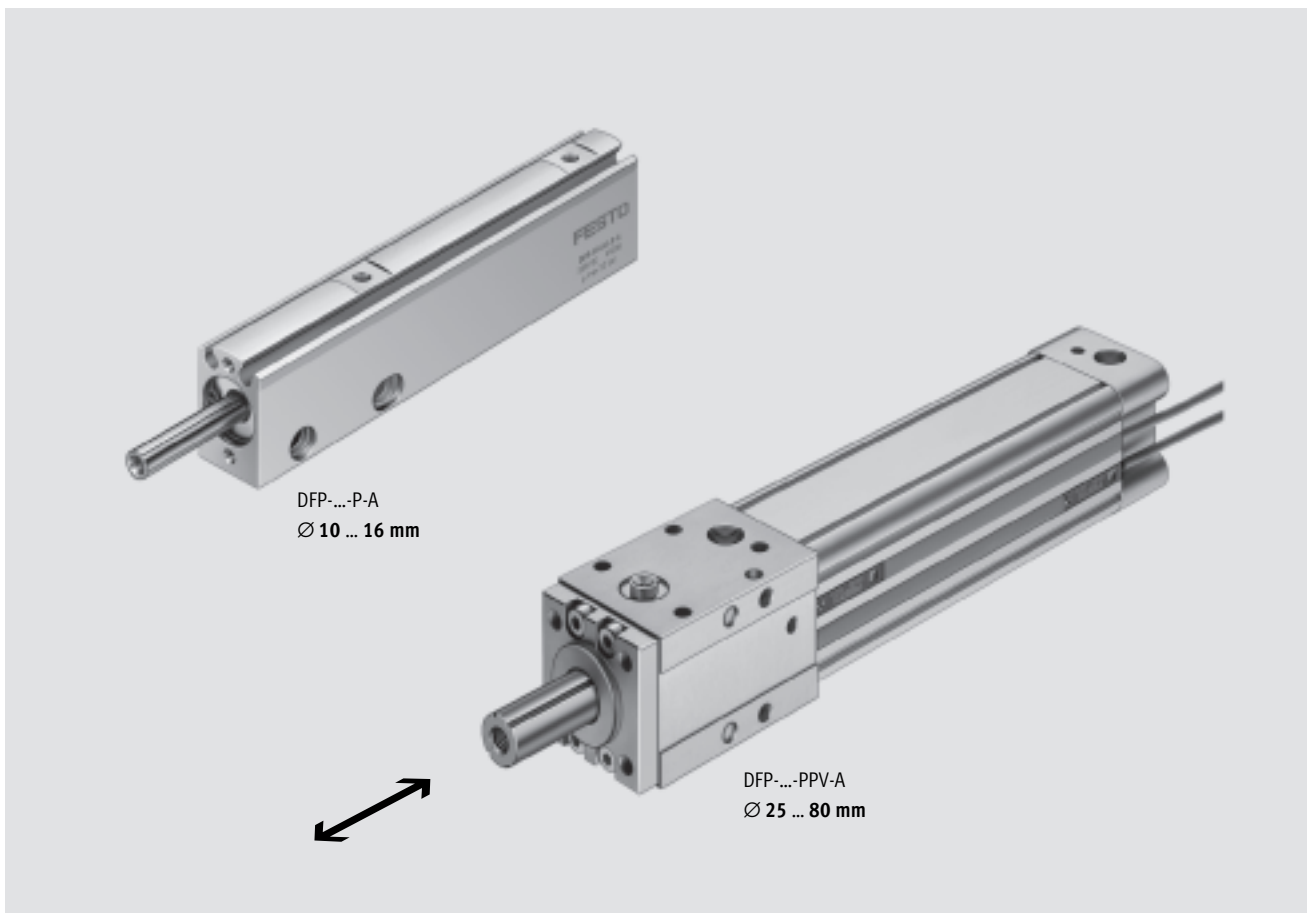
**Guided cylinders DFP**



## Guided cylinders DFP

Features

FESTO



### Brief description

- Double-acting
- High-precision guidance thanks to recirculating ball bearing guide
- Able to absorb high torques
- Saves space in comparison with standard cylinders with external guide unit
- Flexible cushioning rings/plates at both ends for Ø 10 ... 16 mm
- Pneumatic cushioning adjustable at both ends for Ø 25 ... 80 mm
- For contactless position sensing

# Guided cylinders DFP

Features

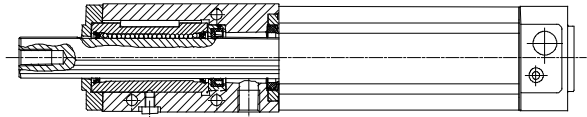
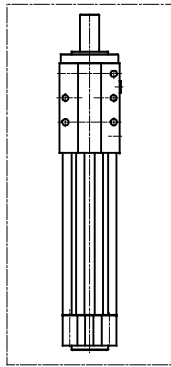
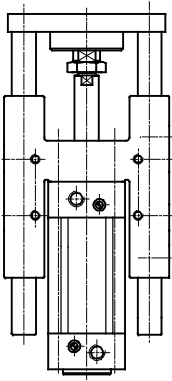
## Less installation space required

Standard cylinder with guide unit

Guided cylinder DFP

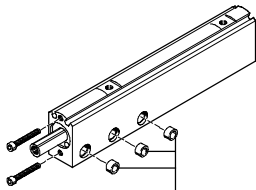
## High precision

Grooved piston rod with recirculating ball bearing guide

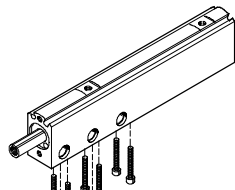


## Mounting options

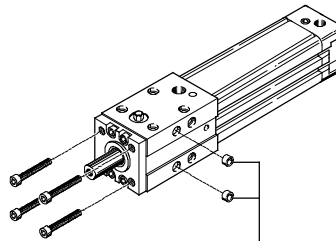
Via female thread



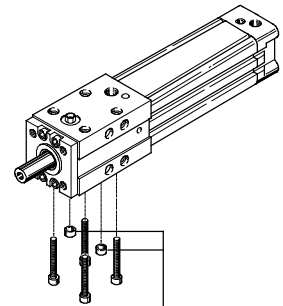
Centring sleeves  
(both sides,  
max. 2 pieces)



Centring sleeves  
(one side only)  
Mounting screws  
(max. 6 pieces)

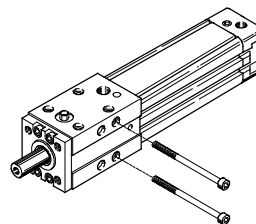
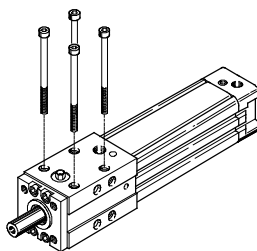
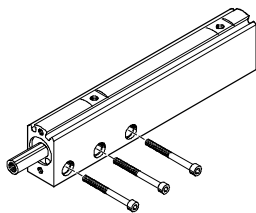


Centring sleeves  
(both sides)



Centring sleeves  
(one side only)

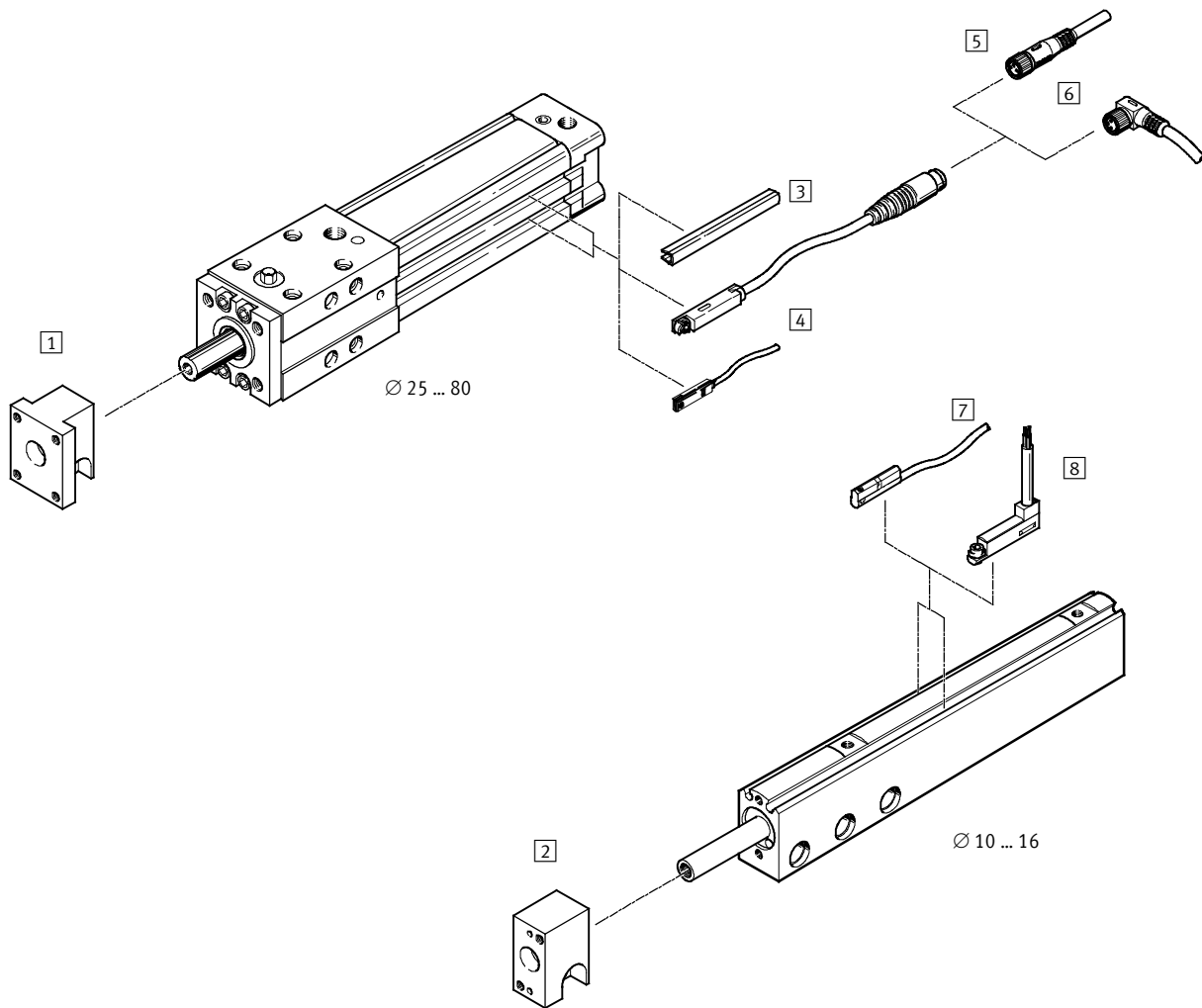
Via through-holes



# Guided cylinders DFP

Peripherals overview

FESTO



Accessories					
	Brief description	Piston $\varnothing$ [mm]		→ Page/Internet	
		10 ... 16	25 ... 32		
1	Push-on flange FFP	For piston $\varnothing 25 \dots 32$ mm	-	■	16
2	Push-on flange FFP	For piston $\varnothing 10 \dots 16$ mm	■	-	16
3	Slot cover ABP-5-S	To protect the sensor cable and keep dirt out of the sensor slots	-	■	18
4	Proximity sensors SME/SMT-8	Can be integrated in the cylinder profile barrel	-	■	18
5	Connecting cable, straight NEBU	-	-	■	18
6	Connecting cable, angled NEBU	-	-	■	18
7	Proximity sensors SME/SMT-10	Can be integrated in the cylinder profile barrel	■	-	17
8	Proximity sensors SME/SMT-10F	Can be integrated in the cylinder profile barrel	■	-	17
-	Centring pins/sleeves ZBH	-	■	■	17

# Guided cylinders DFP

Type codes

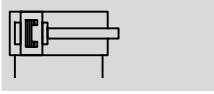
		DFP	-	50	-	80	-	PPV	-	A	-	S2
<b>Type</b>												
Double-acting												
DFP	Guided cylinder											
<b>Piston Ø [mm]</b>												
<b>Stroke [mm]</b>												
<b>Cushioning</b>												
P	Flexible cushioning rings/plates at both ends											
PPV	Pneumatic cushioning adjustable at both ends											
<b>Sensing</b>												
A	For proximity sensing											
<b>Variant</b>												
S2	Through piston rod											

# Guided cylinders DFP

Technical data

FESTO

Function



- $\varnothing$  - Diameter  
10 ... 16 mm
- | - Stroke length  
25 ... 100 mm

- - [www.festo.com](http://www.festo.com)

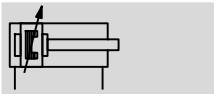
Variant



S2



Function



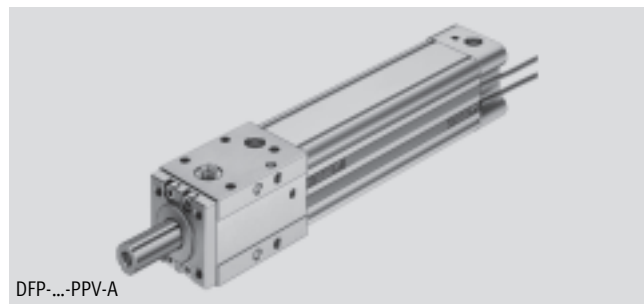
- $\varnothing$  - Diameter  
25 ... 80 mm
- | - Stroke length  
25 ... 500 mm

- - [www.festo.com](http://www.festo.com)

Variant



S2



General technical data						
Piston $\varnothing$	10	16	25	32	50	80
Pneumatic connection	M3	M5	G $\frac{1}{8}$	G $\frac{1}{8}$	G $\frac{1}{4}$	G $\frac{3}{8}$
Operating medium	Compressed air in accordance with ISO 8573-1:2010 [7:4:4]					
Note on operating/pilot medium	Operation with lubricated medium possible (in which case lubricated operation will always be required)					
Guide	Via ball bearings					
Cushioning	Flexible cushioning rings/plates at both ends		Adjustable at both ends			
Cushioning length [mm]	-	-	17	20	22	32
Position sensing	For proximity sensing					
Type of mounting	Via female threads Using through holes					
Mounting position	Any					

Operating and environmental conditions		
Operating pressure [bar]	0.5 ... 10	
Ambient temperature <sup>1)</sup> [°C]	-10 ... +60	

1) Note operating range of proximity sensors

Forces [N] and impact energy [Nm]						
Piston $\varnothing$	10	16	25	32	50	80
Theoretical force at 6 bar, advancing <sup>1)</sup>	47	121	295	483	1,178	3,016
Theoretical force at 6 bar, retracting	31	91	217	364	884	2,262
Max. impact energy at the end positions	0.05	0.07	0.2	0.35	0.6	1.6

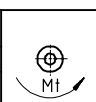
1) The force in the advance stroke is the same as the force in the return stroke with the variant S2.

# Guided cylinders DFP

Technical data

FESTO

Speed [m/s]							
Piston Ø		10	16	25	32	50	80
Maximum speed advancing	$v_{maxA}$	0.8	0.8	1.5	1.5	1	0.9
Maximum speed retracting	$v_{maxL}$	0.8	0.8	1.5	1.5	1	0.7

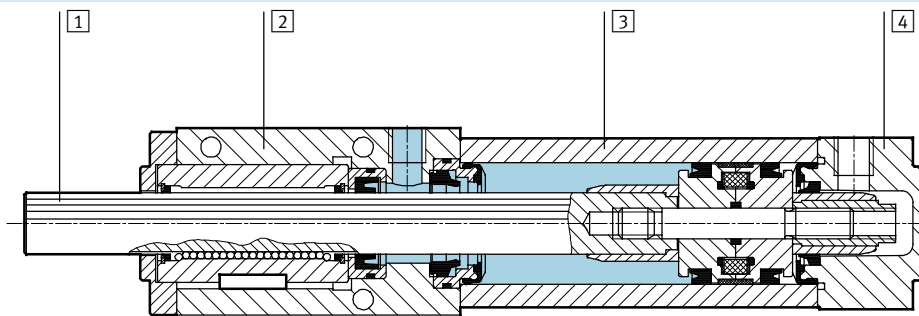
Max. torque <sup>1)</sup> [Nm]							
Piston Ø		10	16	25	32	50	80
	dynamic	0.2	0.4	1.1	5.8	19	75
	static	0.4	0.6	2.7	8.5	25	100

1) Torque at piston rod

Weights [g]													
Stroke [mm]	Piston Ø												
	10		16		25		32		50		80		
	Basic version	S2	Basic version	S2	Basic version	S2	Basic version	S2	Basic version	S2	Basic version	S2	
25	118	124	180	195	590	652	-	-	-	-	-	-	
50	147	156	218	238	660	737	1,180	1,297	2,960	3,351	8,077	8,814	
80	173	185	263	290	740	836	1,295	1,439	3,150	3,570	8,561	9,414	
100	198	212	293	325	794	902	1,357	1,519	3,340	3,855	8,856	9,787	
160	-	-	-	-	957	1,102	1,590	1,805	3,804	4,468	9,786	10,949	
200	-	-	-	-	-	-	1,732	1,983	4,100	4,863	10,460	11,778	
250	-	-	-	-	-	-	1,914	2,210	4,490	5,377	11,289	12,801	
320	-	-	-	-	-	-	-	-	5,030	6,091	12,436	14,220	
400	-	-	-	-	-	-	-	-	5,610	6,869	13,750	15,844	
500	-	-	-	-	-	-	-	-	-	-	15,442	17,924	

## Materials

Sectional view

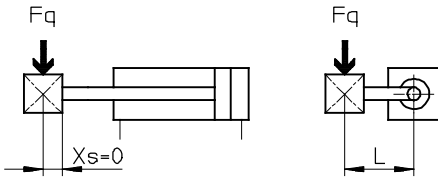


Guided cylinder	
1	Piston rod Tempered steel
2	Bearing end cap Aluminium
3	Cylinder barrel Anodised aluminium
4	End cap Aluminium
-	Seals Polyurethane, polyacetal, nitrile rubber
Note on material Free of copper, PTFE and silicone	

# Guided cylinders DFP

Technical data

## Max. permissible dynamic lateral force $F_q$ at the piston rod



## Calculation of the max. permissible dynamic lateral force $F_q$

$$F_q = \frac{A}{(B + X_s + H) \times K + 1 + C \times L}$$

- $F_q$  = Permissible lateral force [N]
- $A$  = Equivalent bearing load [N]
- $B$  = Constant [mm]
- $C$  = Constant [1/mm]
- $H$  = Stroke [mm]
- $L$  = Lever arm [mm]
- $K$  = Constant [1/mm]
- $X_s$  = Distance from centre of mass [mm]

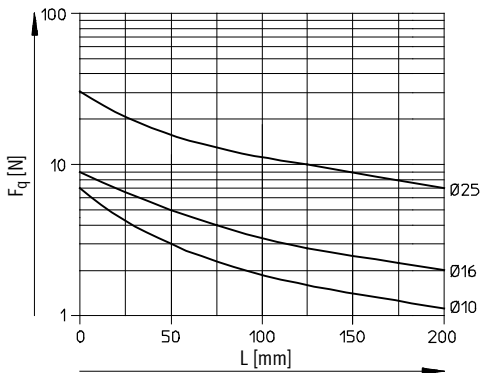
## Calculation parameters

	Piston $\varnothing$ [mm]					
	10	16	25	32	50	80
A	220	274	725	1,460	2,430	5,620
B	37.5	37.5	48	57	75.5	96
C	0.84	0.51	0.4	0.22	0.14	0.09
K	0.47	0.47	0.3	0.19	0.13	0.088

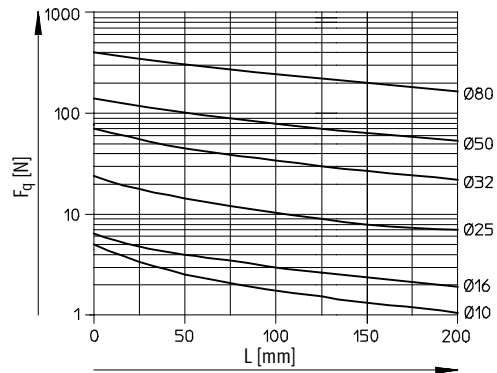
## Max. permissible dynamic lateral force $F_q$ at the piston rod as a function of the lever arm $L$

Distance from the centre of mass  $X_s = 0$  mm

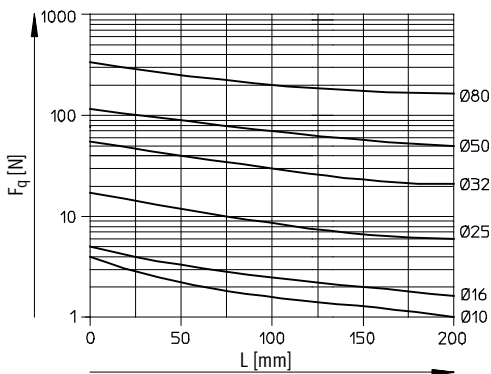
### $F_q$ with 25 mm stroke



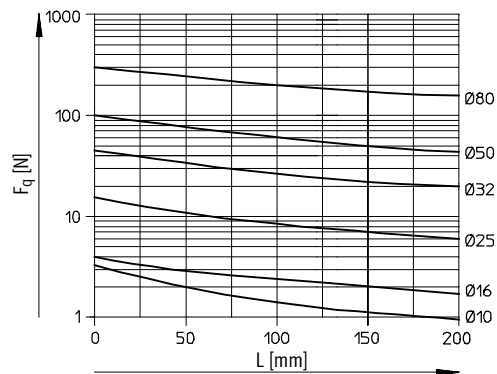
### $F_q$ with 50 mm stroke



### $F_q$ with 80 mm stroke



### $F_q$ with 100 mm stroke





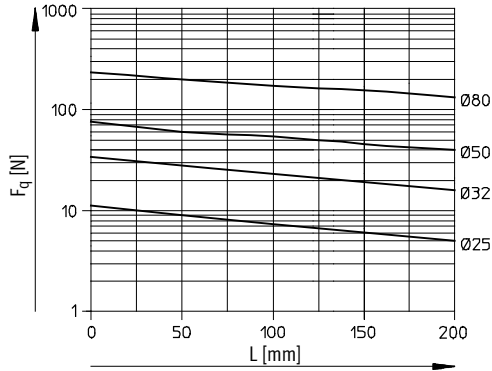
# Guided cylinders DFP

Technical data

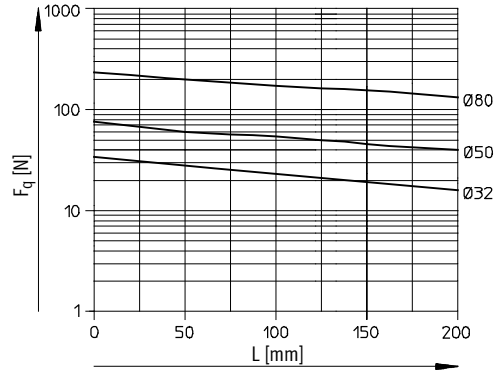
## Max. permissible dynamic lateral force $F_q$ at the piston rod as a function of the lever arm $L$

Distance from the centre of mass  $X_s = 0$  mm

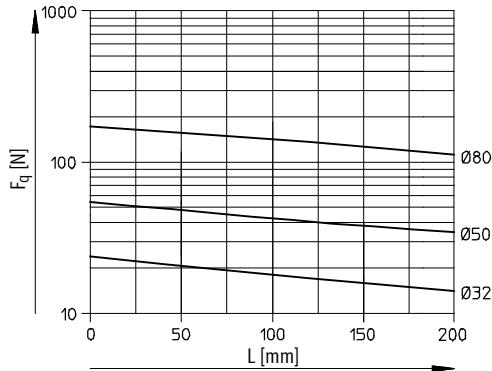
F<sub>q</sub> with 160 mm stroke



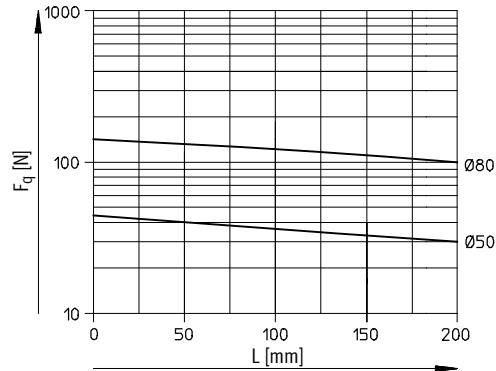
F<sub>q</sub> with 200 mm stroke



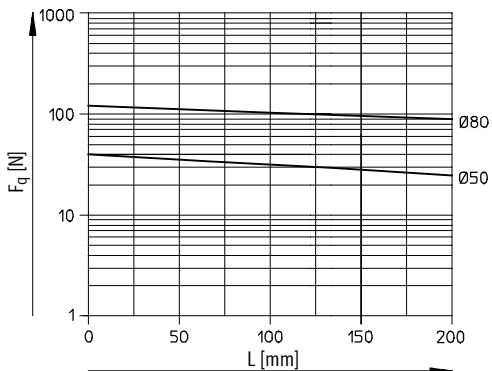
F<sub>q</sub> with 250 mm stroke



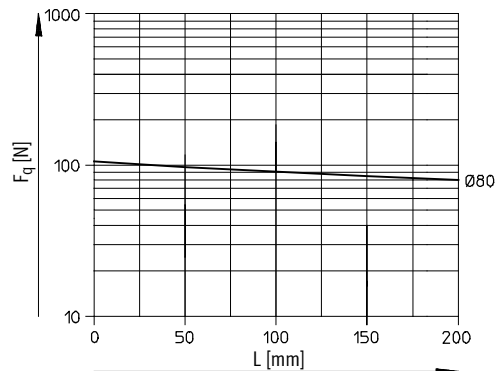
F<sub>q</sub> with 320 mm stroke



F<sub>q</sub> with 400 mm stroke



F<sub>q</sub> with 500 mm stroke

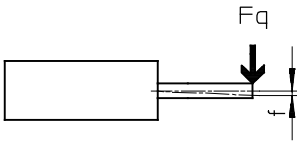


# Guided cylinders DFP

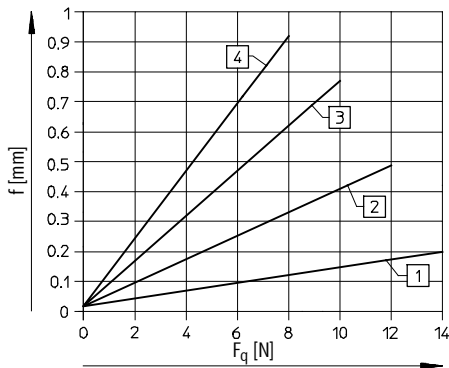
Technical data

FESTO

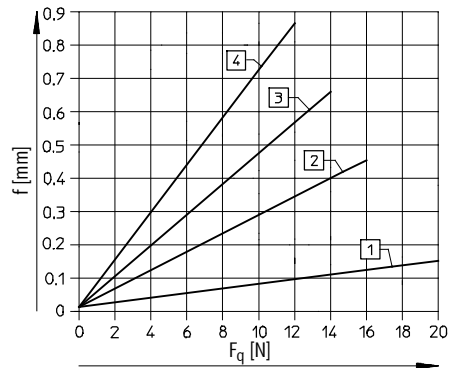
## Deflection $f$ at the piston rod as a function of the lateral force $F_q$



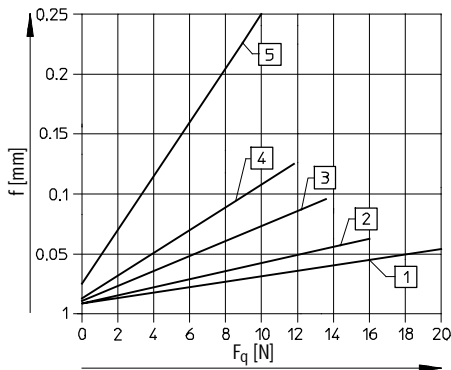
DFP-10



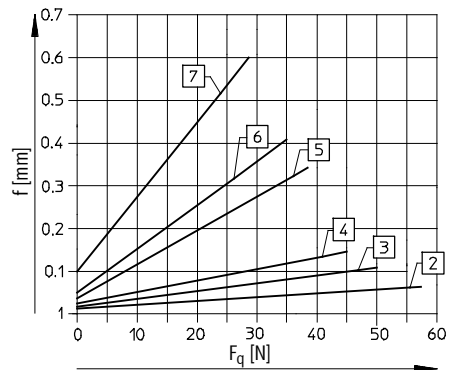
DFP-16



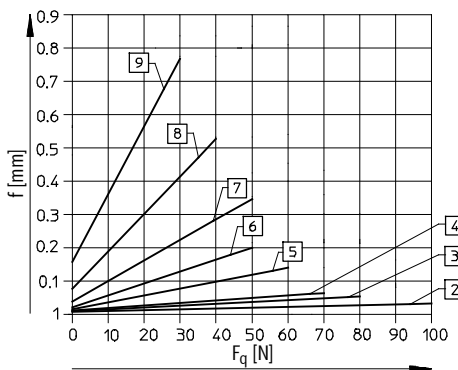
DFP-25



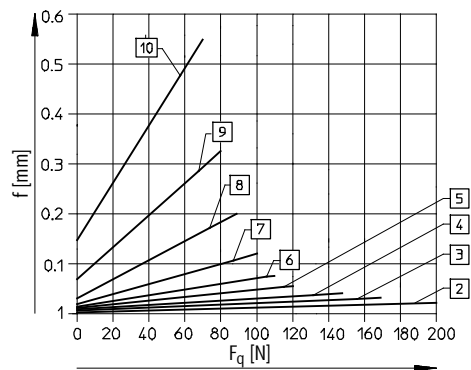
DFP-32



DFP-50



DFP-80



- 1 25 mm stroke
- 2 50 mm stroke
- 3 80 mm stroke

- 4 100 mm stroke
- 5 160 mm stroke
- 6 200 mm stroke

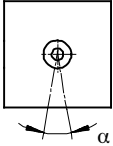
- 7 250 mm stroke
- 8 320 mm stroke

- 9 400 mm stroke
- 10 500 mm stroke

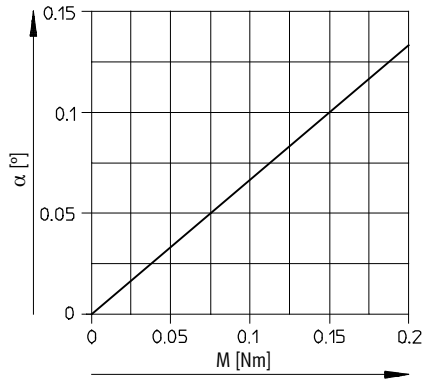
# Guided cylinders DFP

Technical data

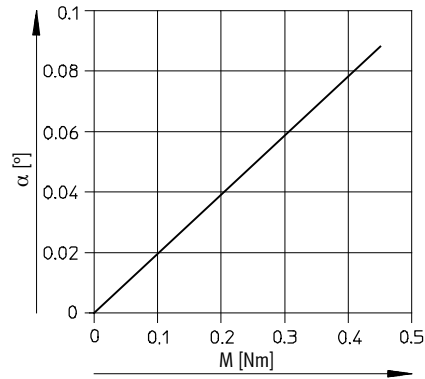
## Torsion angle $\alpha$ of the piston rod as a function of the torque M



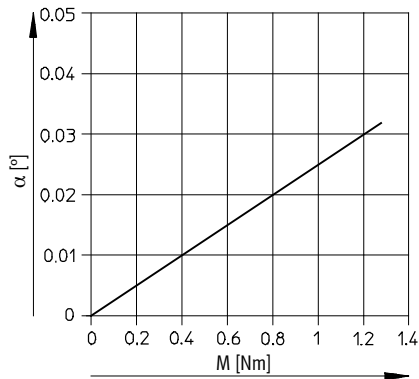
DFP-10



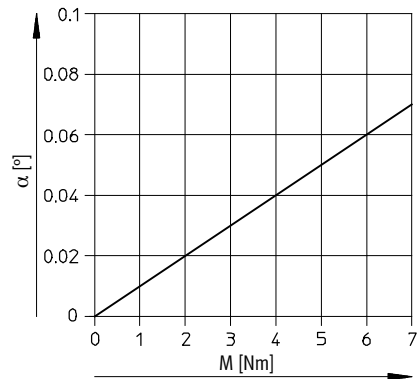
DFP-16



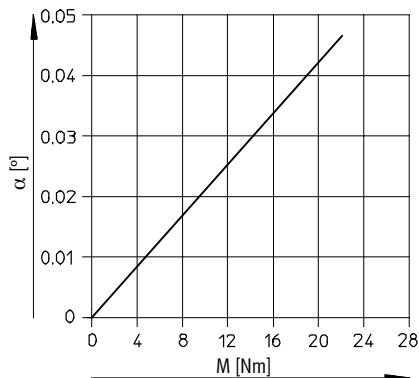
DFP-25



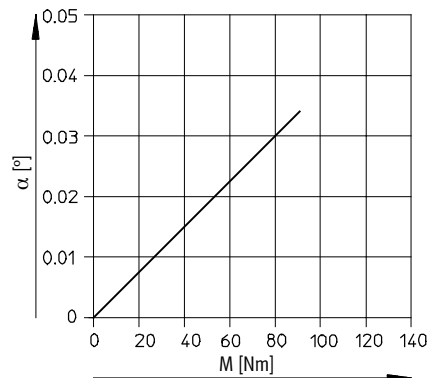
DFP-32



DFP-50



DFP-80



# Guided cylinders DFP

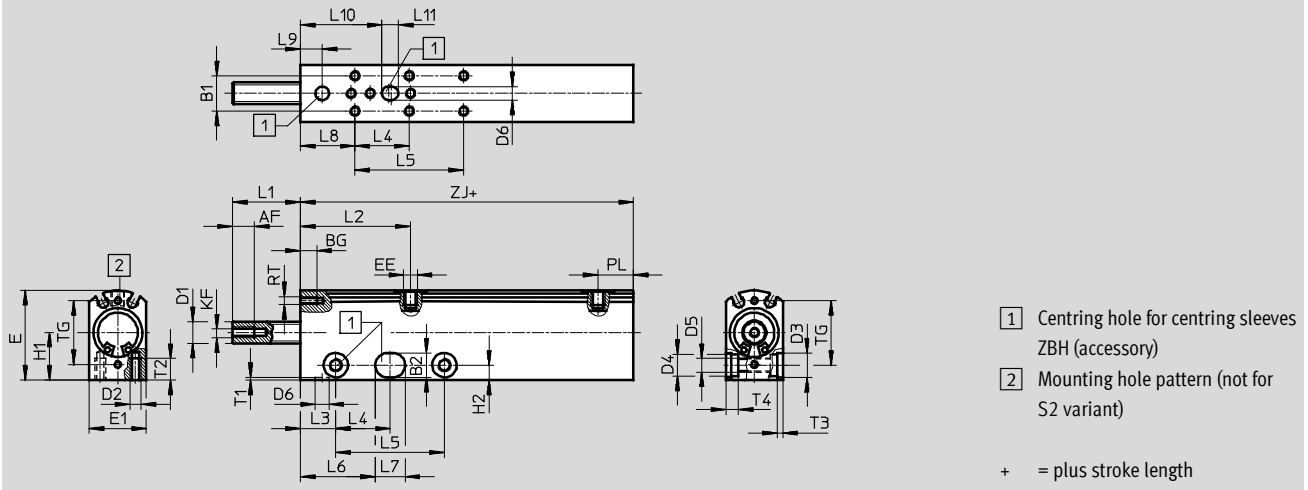
Technical data

FESTO

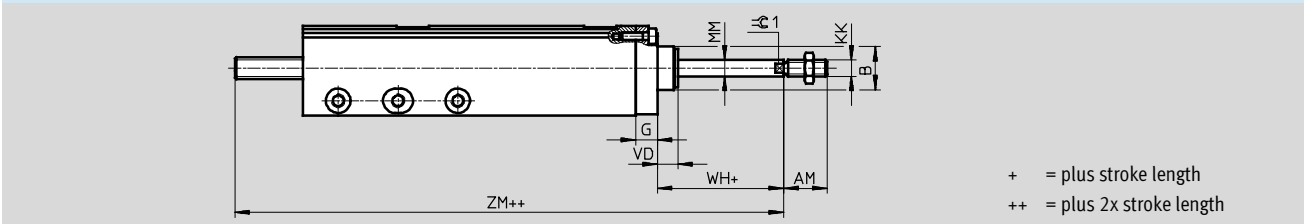
## Dimensions

Download CAD data → [www.festo.com](http://www.festo.com)

Piston Ø 10...16 mm



## Variant S2



Ø	AF	AM	B	B1	B2	BG	D1	D2	D3	D4	D5	D6	E	E1	EE
[mm]			Ø		Ø		Ø		Ø			Ø			
10	8	12	-	11	7	6	6	M3	7	6	M4	5	28	17	M3
16	8	16	15.9	13	9	6	8	M4	9	8	M5	5	33	21	M5

Ø	G	H1	H2	KF	KK	L1	L2	L3	L4	L5 <sup>1)</sup>	L6	L7	L8	L9	L10
[mm]						min.									
10	6	14.3	4.5	M4	M4	25	38.5	12.5	25	50	33	9	5.5	5.5	28.5
16	8	17.5	5.5	M4	M6	25	40.5	13	20	44	27.5	11	20	8	30

Ø	L11	MM	PL	RT	T1	T2	T3	T4	TG	VD	WH	ZJ	ZM	≈ 1
[mm]		Ø												
10	6	4	12	M2.5	1	6	1.6	3.2	21	-	4.8	65	100.8	-
16	6	6	13	M3	1	8	2.1	4.6	23.5	7.5	12.5	72.5	118	5

1) With stroke > 80 mm

# Guided cylinders DFP

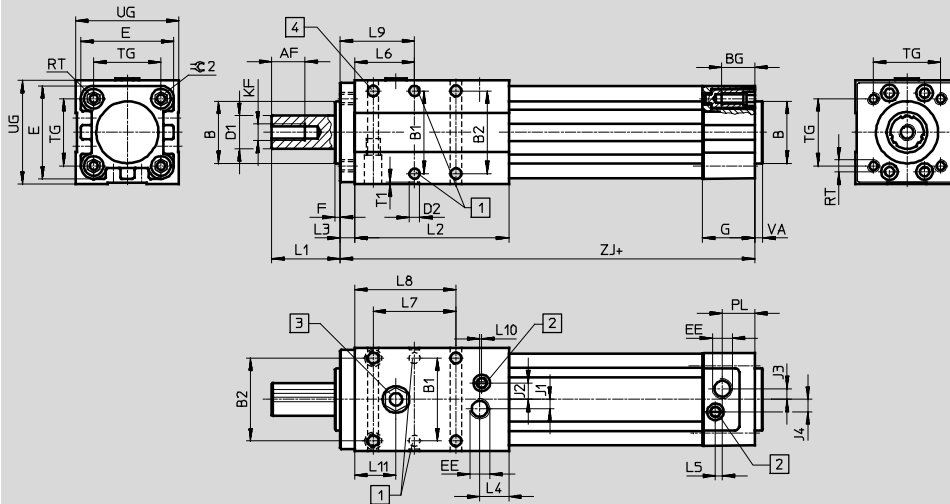
Technical data

FESTO

## Dimensions

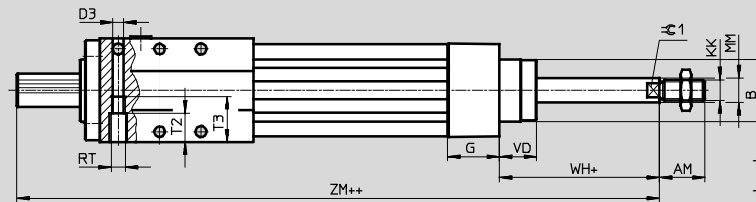
Download CAD data → [www.festo.com](http://www.festo.com)

Piston Ø 25 ... 80 mm



- 1 Centring hole for centring sleeves ZBH (accessory)
  - 2 Regulating screw for adjustable end-position cushioning
  - 3 Lubrication nipple
  - 4 No hole in the case of DFP-25
- + = plus stroke length

## Variant S2



- + = plus stroke length  
++ = plus 2x stroke length

Ø	AF	AM	B	B1	B2	BG	D1	D2	D3	I	EE	F	G	J1	J2
[mm]			Ø d11	±0.02			Ø h7	Ø H7	Ø						
25	12.5	22	25	31	31	14	13	5	4.5	38	G1/8	2.5	22	3.6	7
32	16	22	30	40	40	16	16	5	5.3	45	G1/8	2.5	25.1	4.5	8
50	20	32	40	52	52	17	25	9	6.6	64	G1/4	2.5	29.6	7.5	14
80	24	40	45	75	75	17	40	9	8.4	93	G3/8	2.5	35.9	7	20


Ø	J3	J4	KF	KK	L1	L2	L3	L4	L5	L6	L7	L8	L9	L10	L11
[mm]															
25	3.1	6	M6	M10x1.25	30	58	6.5	11.8	4.1	22.5	31	38	29	2.3	12.8
32	5.2	6	M8	M10x1.25	32	74.5	7	14	3.3	29	40	49	36	1	20
50	8.5	10.4	M10	M16x1.5	40	107.5	10	18	5.1	44	52	70	54	4.2	29
80	8	12.5	M12	M20x1.5	41	143	14	23	10.5	58.5	75	96	72.5	5	39.5

Ø	MM	PL	RT	T1	T2	T3	TG	UG	VA	VD	WH	ZJ	ZM	≈C1	≈C2
[mm]	Ø f8														
25	10	8.5	M5	1	11	21	27	40	2	17.5	29.4	119.5	179	9	5
32	12	15.6	M6	1	14	22	32.5	50	4	18	26	150.4	210	10	6
50	20	14	M8	2.1	16	32	46.5	66	4	28	37	194	273	17	8
80	25	16.4	M10	2.1	20	40	72	96	4	34.7	46	249	338	22	6

# Guided cylinders DFP

Technical data

FESTO


Ordering data – Basic version						
Design	Stroke [mm]	Part No.	Type <sup>1)</sup>	Stroke [mm]	Part No. Type <sup>1)</sup>	
	Piston Ø 10 mm			Piston Ø 16 mm		
	25	186 729	DFP-10-25-P-A	25	186 733 DFP-16-25-P-A	
	50	186 730	DFP-10-50-P-A	50	186 734 DFP-16-50-P-A	
	80	186 731	DFP-10-80-P-A	80	186 735 DFP-16-80-P-A	
	100	186 732	DFP-10-100-P-A	100	186 736 DFP-16-100-P-A	
	Piston Ø 25 mm			Piston Ø 32 mm		
	25	186 737	DFP-25-25-PPV-A	25	– –	
	50	186 738	DFP-25-50-PPV-A	50	186 742 DFP-32-50-PPV-A	
	80	186 739	DFP-25-80-PPV-A	80	186 743 DFP-32-80-PPV-A	
	100	186 740	DFP-25-100-PPV-A	100	186 744 DFP-32-100-PPV-A	
	160	186 741	DFP-25-160-PPV-A	160	186 745 DFP-32-160-PPV-A	
	200	–	–	200	186 746 DFP-32-200-PPV-A	
	250	–	–	250	186 747 DFP-32-250-PPV-A	
	Piston Ø 50 mm			Piston Ø 80 mm		
	50	186 748	DFP-50-50-PPV-A	50	186 756 DFP-80-50-PPV-A	
	80	186 749	DFP-50-80-PPV-A	80	186 757 DFP-80-80-PPV-A	
	100	186 750	DFP-50-100-PPV-A	100	186 758 DFP-80-100-PPV-A	
	160	186 751	DFP-50-160-PPV-A	160	186 759 DFP-80-160-PPV-A	
	200	186 752	DFP-50-200-PPV-A	200	186 760 DFP-80-200-PPV-A	
	250	186 753	DFP-50-250-PPV-A	250	186 761 DFP-80-250-PPV-A	
	320	186 754	DFP-50-320-PPV-A	320	186 762 DFP-80-320-PPV-A	
	400	186 755	DFP-50-400-PPV-A	400	186 763 DFP-80-400-PPV-A	
	500	–	–	500	186 764 DFP-80-500-PPV-A	

1) In each case the scope of delivery includes 2 of the centring sleeves listed as accessories. Centring sleeves are supplied to repeat order in packs of 10. Proximity sensors and mounting screws are not included in the scope of delivery for guided cylinders.

# Guided cylinders DFP

Technical data

**FESTO**

Ordering data – Variants						
Design	Stroke [mm]	Part No.	Type <sup>1)2)</sup>	Stroke [mm]	Part No. Type <sup>1)2)</sup>	
<b>S2 – Through piston rod</b>						
	Piston Ø 10 mm			Piston Ø 16 mm		
	25	186 765	DFP-10-25-P-A-S2	25	186 769	DFP-16-25-P-A-S2
	50	186 766	DFP-10-50-P-A-S2	50	186 770	DFP-16-50-P-A-S2
	80	186 767	DFP-10-80-P-A-S2	80	186 771	DFP-16-80-P-A-S2
	100	186 768	DFP-10-100-P-A-S2	100	186 772	DFP-16-100-P-A-S2
	Piston Ø 25 mm			Piston Ø 32 mm		
	25	186 773	DFP-25-25-PPV-A-S2	25	–	–
	50	186 774	DFP-25-50-PPV-A-S2	50	186 778	DFP-32-50-PPV-A-S2
	80	186 775	DFP-25-80-PPV-A-S2	80	186 779	DFP-32-80-PPV-A-S2
	100	186 776	DFP-25-100-PPV-A-S2	100	186 780	DFP-32-100-PPV-A-S2
	160	186 777	DFP-25-160-PPV-A-S2	160	186 781	DFP-32-160-PPV-A-S2
	200	–	–	200	186 782	DFP-32-200-PPV-A-S2
	250	–	–	250	186 783	DFP-32-250-PPV-A-S2
	Piston Ø 50 mm			Piston Ø 80 mm		
	50	186 784	DFP-50-50-PPV-A-S2	50	186 792	DFP-80-50-PPV-A-S2
	80	186 785	DFP-50-80-PPV-A-S2	80	186 793	DFP-80-80-PPV-A-S2
	100	186 786	DFP-50-100-PPV-A-S2	100	186 794	DFP-80-100-PPV-A-S2
	160	186 787	DFP-50-160-PPV-A-S2	160	186 795	DFP-80-160-PPV-A-S2
	200	186 788	DFP-50-200-PPV-A-S2	200	186 796	DFP-80-200-PPV-A-S2
	250	186 789	DFP-50-250-PPV-A-S2	250	186 797	DFP-80-250-PPV-A-S2
	320	186 790	DFP-50-320-PPV-A-S2	320	186 798	DFP-80-320-PPV-A-S2
	400	186 791	DFP-50-400-PPV-A-S2	400	186 799	DFP-80-400-PPV-A-S2
	500	–	–	500	186 800	DFP-80-500-PPV-A-S2

- 1) In each case the scope of delivery includes 2 of the centring sleeves listed as accessories. Centring sleeves are supplied to repeat order in packs of 10. Proximity sensors and mounting screws are not included in the scope of delivery for guided cylinders.
- 2) The scope of delivery also includes a hex nut for the piston rod thread.

# Guided cylinders DFP

Accessories



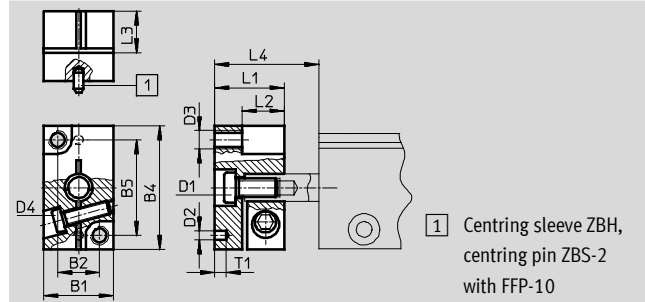
## Push-on flange FFP

for piston  $\varnothing$  10 ... 16 mm

Material:

Wrought aluminium alloy

Free of copper, PTFE and silicone



Dimensions and ordering data																
For $\varnothing$	B1	B2	B4	B5	D1	D2	D3	D4	L1	L2	L3	L4	T1	CRC <sup>1)</sup>	Part No.	Type
[mm]		$\pm 0.02$				$\varnothing$ H7							$+0.2$			
10	15	9	26	20	M4	2	M4	M3	15	8.5	9	31.5	2.5	2	<b>186 801</b>	<b>FFP-10</b>
16	19	12	33	26	M4	5	M4	M4	17	10.5	11	31.5	1	2	<b>186 802</b>	<b>FFP-16</b>

1) Corrosion resistance class 2 according to Festo standard 940 070  
Components requiring moderate corrosion resistance. Externally visible parts with primarily decorative surface requirements which are in direct contact with a surrounding industrial atmosphere or media such as cooling or lubricating agents

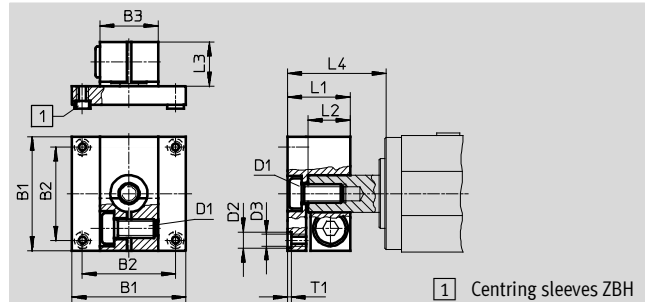
## Push-on flange FFP

for piston  $\varnothing$  25 ... 80 mm

Material:

Wrought aluminium alloy

Free of copper, PTFE and silicone



Dimensions and ordering data																
For $\varnothing$	B1	B2	B3	D1	D2	D3	L1	L2	L3	L4	T1	CRC <sup>1)</sup>	Part No.	Type		
[mm]		$\pm 0.02$			$\varnothing$ H7						$+0.2$					
25	38	30	22	M6	7	M5	27	18	19	39	1.6	2	<b>186 803</b>	<b>FFP-25</b>		
32	49	40	25	M8	7	M5	27	18	19	41	1.6	2	<b>186 804</b>	<b>FFP-32</b>		
50	64	50	36	M10	9	M6	35	23	25	52	2.1	2	<b>186 805</b>	<b>FFP-50</b>		
80	94	70	54	M12	12	M8	40	25	27	56	2.6	2	<b>186 806</b>	<b>FFP-80</b>		

1) Corrosion resistance class 2 according to Festo standard 940 070  
Components requiring moderate corrosion resistance. Externally visible parts with primarily decorative surface requirements which are in direct contact with a surrounding industrial atmosphere or media such as cooling or lubricating agents



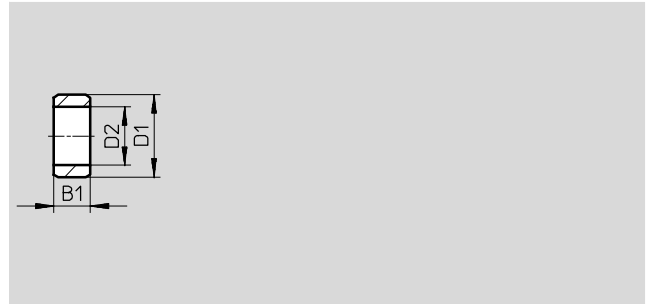
# Guided cylinders DFP

Accessories

FESTO

## Centring sleeves ZBH

Material:  
Steel, corrosion resistant  
Free of copper, PTFE and silicone



Dimensions and ordering data							
D1	B1	D2	CRC <sup>1)</sup>	Weight	Part No.	Type	PU <sup>2)</sup>
∅		∅		[g]			
h7	-0.2						
5	2.4	3.2	2	1	189 652	ZBH-5	10
7	3	5.3	2	1	186 717	ZBH-7	10
9	4	6.4	2	1	150 927	ZBH-9	10

1) Corrosion resistance class 2 according to Festo standard 940 070

Components requiring moderate corrosion resistance. Externally visible parts with primarily decorative surface requirements which are in direct contact with a surrounding industrial atmosphere or media such as cooling or lubricating agents

2) Packaging unit quantity

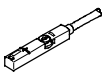
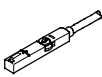
Ordering data – Proximity sensors for C-slot, magneto-resistive						Technical data → Internet: smt	
	Type of mounting	Switch output	Electrical connection, connection direction	Cable length [m]	Part No.	Type	
N/O contact							
	Insertable in the slot from above	PNP	Cable, 3-wire, in-line	2.5	551 373	SMT-10M-PS-24V-E-2,5-L-OE	
			Plug M8x1, 3-pin, in-line	0.3	551 375	SMT-10M-PS-24V-E-0,3-L-M8D	
			Plug M8x1, 3-pin, lateral	0.3	551 376	SMT-10M-PS-24V-E-0,3-Q-M8D	

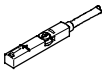


Ordering data – Proximity sensors for C-slot, magnetic reed						Technical data → Internet: sme	
	Type of mounting	Switch output	Electrical connection, connection direction	Cable length [m]	Part No.	Type	
N/O contact							
	Insertable in the slot from above	Contacting	Plug M8x1, 3-pin, in-line	0.3	551 367	SME-10M-DS-24V-E-0,3-L-M8D	
			Cable, 3-wire, in-line	2.5	551 365	SME-10M-DS-24V-E-2,5-L-OE	
			Cable, 2-wire, in-line	2.5	551 369	SME-10M-ZS-24V-E-2,5-L-OE	
	Insertable in the slot lengthwise	Contacting	Plug M8x1, 3-pin, in-line	0.3	173 212	SME-10-SL-LED-24	
			Cable, 3-wire, in-line	2.5	173 210	SME-10-KL-LED-24	



# Guided cylinders DFP

Accessories

FESTO

Ordering data – Proximity sensors for T-slot, magneto-resistive						Technical data → Internet: smt
	Type of mounting	Switch output	Electrical connection	Cable length [m]	Part No.	Type
<b>N/O contact</b>						
	Insertable in the slot from above, flush with cylinder profile, short design	PNP	Cable, 3-wire	2.5	574335	SMT-8M-A-PS-24V-E-2,5-OE
			Plug M8x1, 3-pin	0.3	574334	SMT-8M-A-PS-24V-E-0,3-M8D
			Plug M12x1, 3-pin	0.3	574337	SMT-8M-A-PS-24V-E-0,3-M12
		NPN	Cable, 3-wire	2.5	574338	SMT-8M-A-NS-24V-E-2,5-OE
			Plug M8x1, 3-pin	0.3	574339	SMT-8M-A-NS-24V-E-0,3-M8D
<b>N/C contact</b>						
	Insertable in the slot from above, flush with cylinder profile, short design	PNP	Cable, 3-wire	7.5	574340	SMT-8M-A-PO-24V-E-7,5-OE

Ordering data – Proximity sensors for T-slot, magnetic reed						Technical data → Internet: sme	
	Type of mounting	Switch output	Electrical connection	Cable length [m]	Part No.	Type	
<b>N/O contact</b>							
	Insertable in the slot from above, flush with cylinder profile	Contacting	Cable, 3-wire	2.5	543 862	SME-8M-DS-24V-K-2,5-OE	
				5.0	543 863	SME-8M-DS-24V-K-5,0-OE	
			Plug M8x1, 3-pin	Cable, 2-wire	2.5	543 872	SME-8M-ZS-24V-K-2,5-OE
				0.3	543 861	SME-8M-DS-24V-K-0,3-M8D	
	Insertable in the slot lengthwise, flush with the cylinder profile	Contacting	Cable, 3-wire	2.5	150 855	SME-8-K-LED-24	
			Plug M8x1, 3-pin	0.3	150 857	SME-8-S-LED-24	
<b>N/C contact</b>							
	Insertable in the slot lengthwise, flush with the cylinder profile	Contacting	Cable, 3-wire	7.5	160 251	SME-8-O-K-LED-24	

Ordering data – Connecting cables					Technical data → Internet: nebu
	Electrical connection, left	Electrical connection, right	Cable length [m]	Part No.	Type
	Straight socket, M8x1, 3-pin	Cable, open end, 3-wire	2,5	541 333	NEBU-M8G3-K-2.5-LE3
			5	541 334	NEBU-M8G3-K-5-LE3
	Straight socket, M12x1, 5-pin	Cable, open end, 3-wire	2,5	541 363	NEBU-M12G5-K-2.5-LE3
			5	541 364	NEBU-M12G5-K-5-LE3
	Angled socket, M8x1, 3-pin	Cable, open end, 3-wire	2,5	541 338	NEBU-M8W3-K-2.5-LE3
			5	541 341	NEBU-M8W3-K-5-LE3
	Angled socket, M12x1, 5-pin	Cable, open end, 3-wire	2,5	541 367	NEBU-M12W5-K-2.5-LE3
			5	541 370	NEBU-M12W5-K-5-LE3

Ordering data – Slot cover for T-slot					
	Mounting	Length	Part No.	Type	
	Insertable from above	2x 0.5 m	151 680	ABP-5-S	