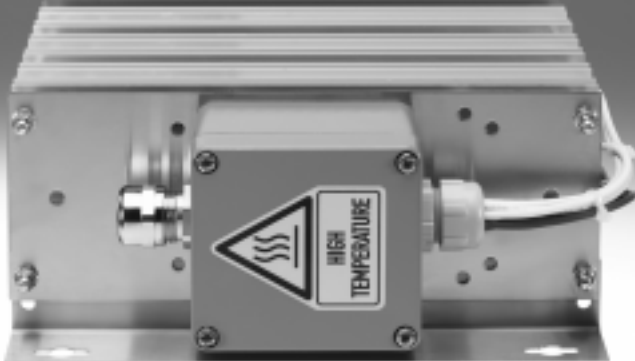


Braking resistors CACR



Braking resistors CACR

Type codes

CACR – LE 2 – 100 – W500

Type	
CACR	Resistor

Connection technology	
LE	Open end
KL	Terminal

PIN	
2	2-pin

Resistance value	
33	33 Ω
40	40 Ω
50	50 Ω
67	67 Ω
72	72 Ω
100	100 Ω

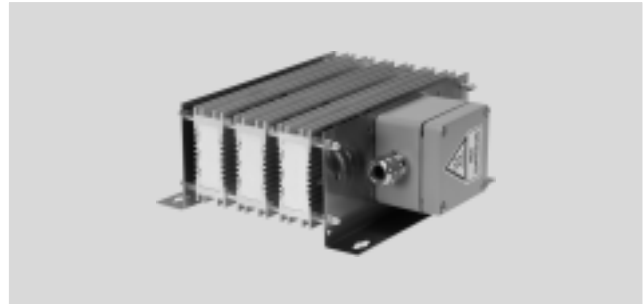
Power	
500	500 W
1800	1800 W
2000	2000 W
2400	3600 W

Braking resistors CACR

Technical data

FESTO

Braking resistor
CACR-LE2
CACR-KL2



General technical data				
Type	CACR-			
	LE2-50-W500	LE2-72-W500	LE2-100-W500	
Output at 35% duty cycle and 20 °C	[W]	500	500	500
Nominal power	[W]	200	200	200
Resistance value	[W]	50	72	100
Connection technology	Open end			
Mounting position	Vertical			
	Free convection			
Type of mounting	Via accessories			
	With through-hole			
Product weight	[g]	550	550	550

Type	CACR-			
	KL2-67-W1800	KL2-40-W2000	KL2-33-W2400	
Output at 35% duty cycle and 20 °C	[W]	1800	2000	3600 ¹⁾
Nominal power	[W]	720	800	1440
Resistance value	[W]	67	40	33
Connection technology	Terminal			
Mounting position	Vertical			
	Free convection			
Type of mounting	Via accessories			
	With through-hole			
Product weight	[g]	4000	2400	8000

1) Owing to the UL and CSA approval certificates, the performance data on the rating plate is reduced to 2400 W.

Operating and environmental conditions	
Ambient temperature	[°C] 0 ... 50
Degree of protection	IP65
Approval certificate	c UL us - Recognized (OL)
	c CSA us (OL)
Note on materials	RoHS-compliant
	Contains PWIS (paint-wetting impairment substances)

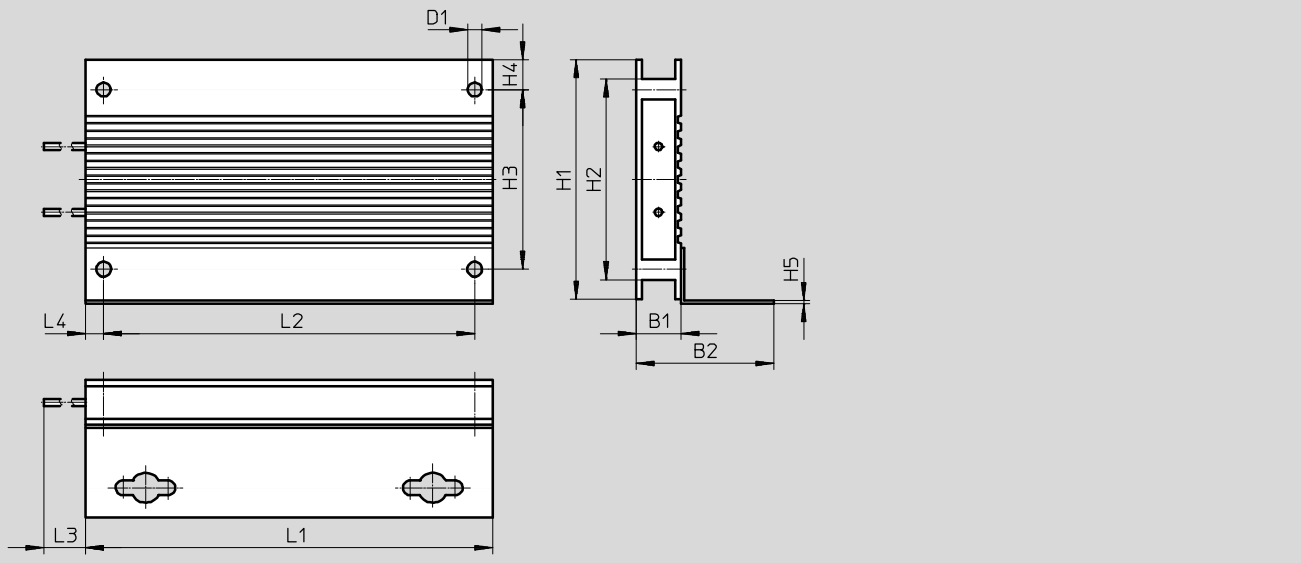
Braking resistors CACR

Technical data

Dimensions

Download CAD data → www.festo.com

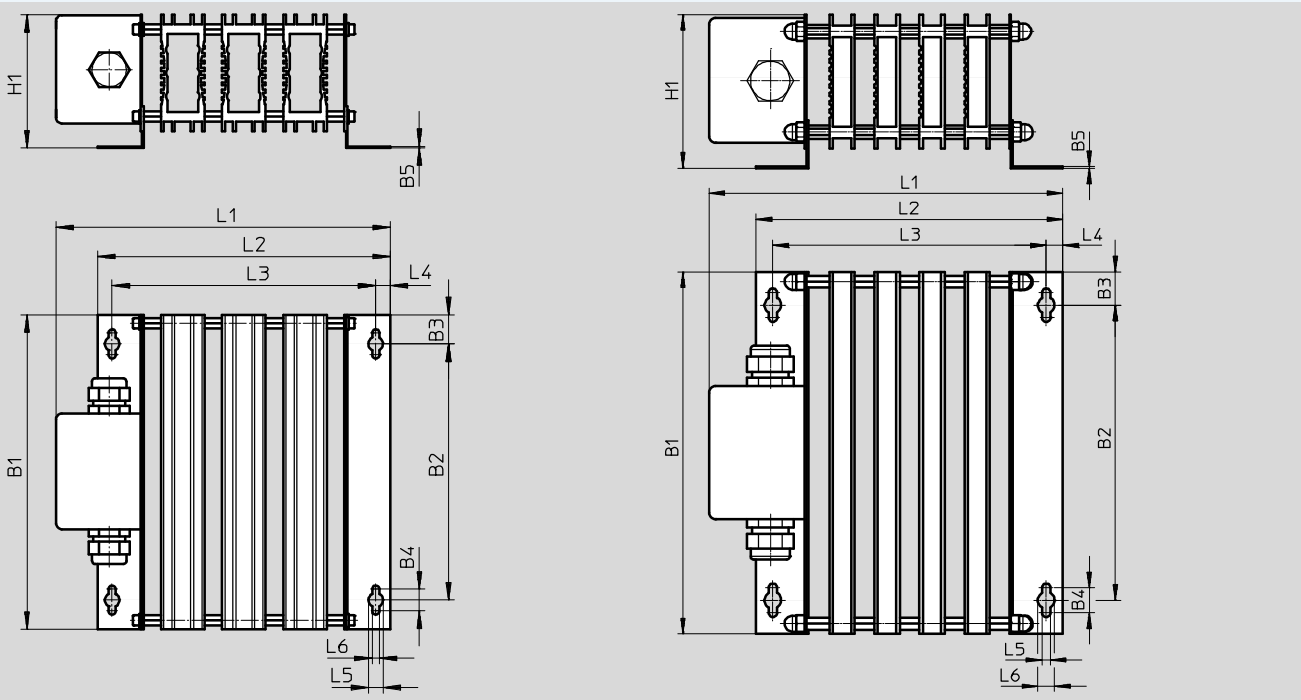
CACR-LE2-50-W500, CACR-LE2-72-W500, CACR-LE2-100-W500



Type	B1	B2	D1 ∅	H1	H2	H3	H4	H5	L1	L2	L3	L4
	±0.5		±0.1		±0.3	±0.2				±0.2	±40	
CACR-LE2-50-W500												
CACR-LE2-72-W500	15	46	4.7	80	67	60	10	1	216	204	510	6
CACR-LE2-100-W500												

CACR-KL2-67-W1800

CACR-KL2-40-W2000



Type	B1	B2	B3	B4	B5	H1	L1	L2	L3	L4	L5	L6
CACR-KL2-67-W1800	216	176	20	15	1	91.5	230	201	181	10	10	5
CACR-KL2-40-W2000	216	176	20	15	1	91.5	211	183	163	10	10	5

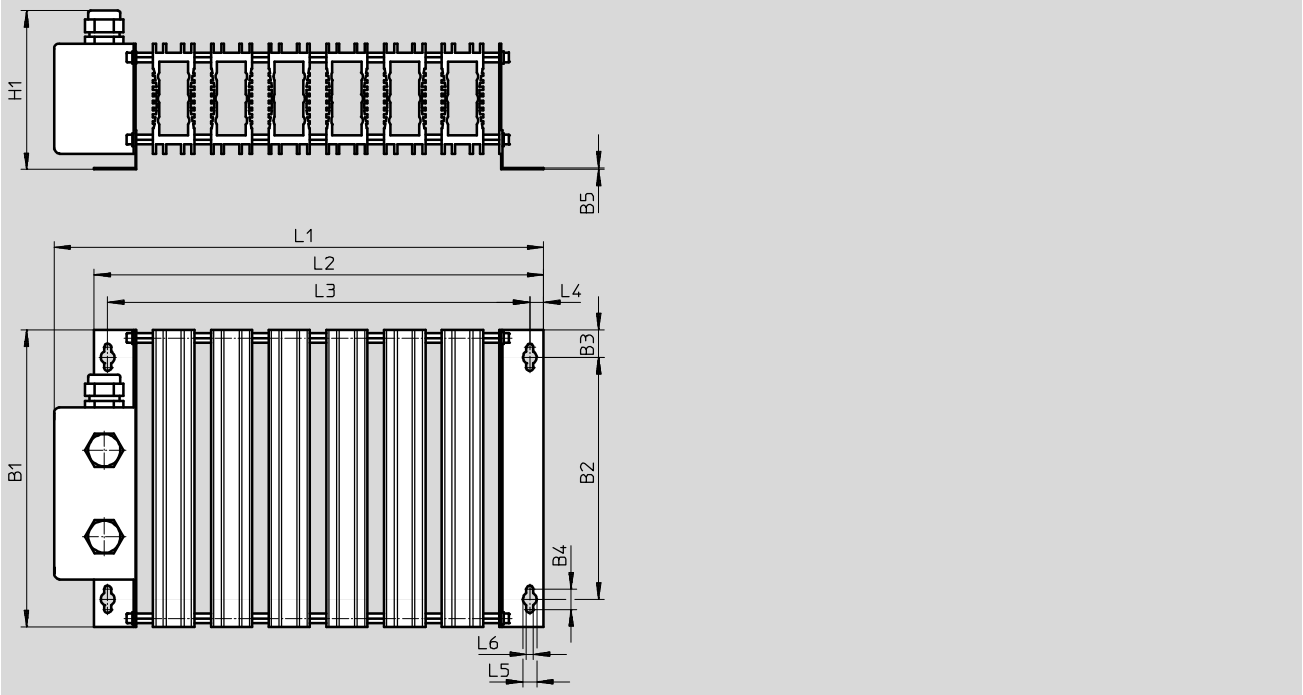
Braking resistors CACR

Technical data

Dimensions

Download CAD data → www.festo.com

CACR-KL2-33-W2400



Type	B1	B2	B3	B4	B5	H1	L1	L2	L3	L4	L5	L6
CACR-KL2-33-W2400	216	176	20	15	1	115.5	356	327	307	10	10	5

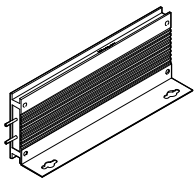
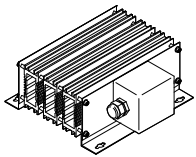
Braking resistors CACR

Technical data

FESTO

Allocation of braking resistor to motor controller						
Braking resistor	CACR-					
	LE2-50-W500	LE2-72-W500	LE2-100-W500	KL2-67-W1800	KL2-40-W2000	KL2-33-W2400
Suitable for motor controller						
CMMP-AS-C2-3A-M0	■ ¹⁾	■	-	-	-	-
CMMP-AS-C5-3A-M0	■ ¹⁾	■	-	-	-	-
CMMP-AS-C5-11A-P3-M0	-	-	-	■	■ ¹⁾	-
CMMP-AS-C10-11A-P3-M0	-	-	-	■	■ ¹⁾	-
CMMP-AS-C2-3A-M3	■ ¹⁾	■	-	-	-	-
CMMP-AS-C5-3A-M3	■ ¹⁾	■	-	-	-	-
CMMP-AS-C5-11A-P3-M3	-	-	-	■	■ ¹⁾	-
CMMP-AS-C10-11A-P3-M3	-	-	-	■	■ ¹⁾	-
CMMP-AS-C20-11A-P3	-	-	-	-	-	■
CMMD-AS-C8-3A	■ ¹⁾	■	-	-	-	-
CMMS-AS-C4-3A-G2	-	-	■	-	-	-

1) Recommended braking resistor

Ordering data				
Type	Resistance value [Ω]	Nominal power [W]	Part No.	Type
CACR-LE2-...				
	50	500	2882342	CACR-LE2-50-W500
	72	500	1336611	CACR-LE2-72-W500
	100	500	1336615	CACR-LE2-100-W500
CACR-KL2-...				
	67	1800	1336617	CACR-KL2-67-W1800
	40	2000	2882343	CACR-KL2-40-W2000
	33	3600	1336619	CACR-KL2-33-W2400