

Electrical connection technology, for AS-interface

Technical data

Cable socket ASI-SD-...-M12

- Flat cable socket for connecting AS-interface stations to the AS-interface bus system
- M12 connection
- Reverse polarity protected
- Detachable connection



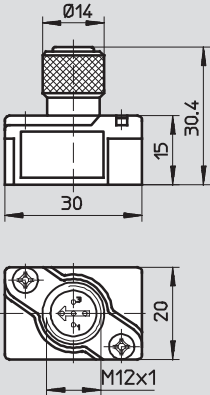
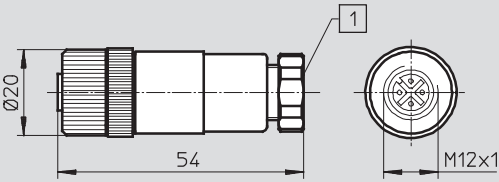
General technical data		
Type	ASI-SD-FK-M12	ASI-SD-PG-M12
Mounting position	Any	
Type of mounting	Via union nut	
Electrical connection	Straight socket	Straight socket
	5-pin	4-pin
	Insulation displacement technology	Screw terminal
Connection cross section [mm ²]	1.5	0.75
Cable connector	–	Pg9
Operating voltage range [V AC]	0 ... 40	0 ... 125
Acceptable current load [A]	2	3
Protection class	IP65/IP67 (assembled)	
Product weight [g]	16.8	27.6

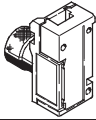
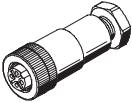
Materials		
Type	ASI-SD-FK-M12	ASI-SD-PG-M12
Housing	PA	PA
Pin contacts	Gold-plated copper alloy	Bronze
Union nut	Nickel-plated	Nickel-plated
Housing colour	Black	Black
Note on materials	–	RoHS-compliant

Operating and environmental conditions		
Type	ASI-SD-FK-M12	ASI-SD-PG-M12
Ambient temperature [°C]	–25 ... +60	–40 ... +85

Electrical connection technology, for AS-interface

Technical data

Dimensions		Download CAD data → www.festo.com
<p>ASI-SD-FK-M12</p> 	<p>ASI-SD-PG-M12</p>  <p>1 Seal for AS-interface cable</p>	

Ordering data			
	Electrical connection	Part No.	Type
	Straight socket, 5-pin, insulation displacement technology	18788	ASI-SD-FK-M12
	Straight socket, 4-pin, screw terminal	18789	ASI-SD-PG-M12

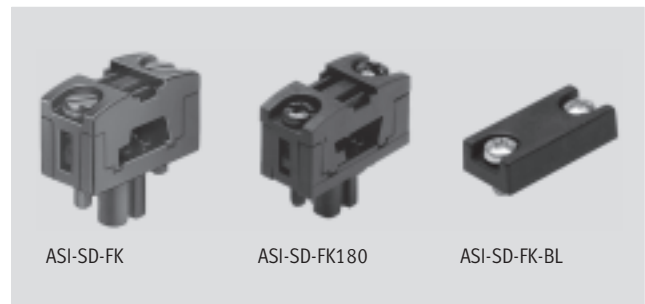
Electrical connection technology, for AS-interface

Technical data

Cable socket ASI-SD-FK

Blanking plug ASI-SD-FK-BL

- Flat cable socket for connecting AS-interface stations to the AS-interface bus system
- 0° and 180° version
- Reverse polarity protected
- Detachable connection
- 2-pin
- Blanking plugs for sealing unused connections



General technical data				
Type		ASI-SD-FK	ASI-SD-FK180	ASI-SD-FK-BL
Mounting position		Any		
Type of mounting		Via through-hole		
Electrical connection		Straight socket, 2-pin	Straight socket, 2-pin	–
Operating voltage range	[V AC]	0 ... 60	0 ... 60	–
	[V DC]	0 ... 75	0 ... 75	–
Acceptable current load	[A]	3	3	–
Connection type		Insulation displacement technology	Insulation displacement technology	–
Connection cross section	[mm ²]	1.5	1.5	–
Protection class		IP65 (in assembled state)		
Product weight	[g]	6.8	6.2	3

Materials				
Type		ASI-SD-FK	ASI-SD-FK180	ASI-SD-FK-BL
Housing		PA	PA	–
Pin contacts		Bronze	Bronze	–
Note on materials		RoHS-compliant	RoHS-compliant	RoHS-compliant

Operating and environmental conditions				
Type		ASI-SD-FK	ASI-SD-FK180	ASI-SD-FK-BL
Ambient temperature	[°C]	–5 ... +50	–5 ... +50	–20 ... +70
Storage temperature	[°C]	–30 ... +85	–30 ... +85	–20 ... +70

Electrical connection technology, for AS-interface

Technical data

Dimensions Download CAD data → www.festo.com

ASI-SD-FK

- 1 Contact pins for flat cable contacting
- 2 Mounting option for inscription labels IBS-6x10

ASI-SD-FK180

- 1 Contact pins for flat cable contacting
- 2 Mounting option for inscription labels IBS-6x10

ASI-SD-FK-BL

- 1 M2.5x6 mounting screws

Ordering data		
	Part No.	Type
Flat cable socket for connecting AS-interface stations	18785	ASI-SD-FK
Flat cable socket for connecting AS-interface stations, flat cable turned by 180°	196089	ASI-SD-FK180
Blanking plate for sealing unused AS-interface flat cable connections	196090	ASI-SD-FK-BL